



REF30PIXL
REF30PIXR
REF30PRL
REF30PRR
REF36PIXL
REF36PIXR
REF36PRL
REF36PRR

INSTALLATION GUIDE

NOTICE D'INSTALLATION

EN

FR

IMPORTANT

- Dimensions in parentheses are in inches: mm(in).
- Weights in parentheses are in pounds: kg (lb).
- Temperatures in parentheses are in Fahrenheit degrees: °C(°F)

	<i>Important Instructions</i>
Page 3	Important safety instructions Children safety
	<i>Technical Requirements</i>
4	Appliance features and installation requirements
5	Installation niche features: Integrated Series (BI)
6	Installation niche requirements: Stainless Integrated Series (BKI)
	<i>Preparing To Install</i>
7	Transport to installation site and unpacking
8	Electrical and Water connection
10	Levelling
	<i>Panels Mounting</i>
11	Door and Bottom-Drawer overlay panels layout
13	Overlay panels mounting brackets layout
14	Panels Dimensions
15	Mounting the handles on Integrated units
16	Mounting panels to the door and the drawer of Integrated units
	<i>Installation</i>
18	Built-in installation of single appliance
19	Built-in installation of two or more appliances
	<i>Completing The Installation</i>
21	Anti-tipping safety assembly
22	Mounting handles on stainless front
23	Air circulation
24	Post installation checklist
25	Start Up

Important safely instruction

Symbols used in the Guide



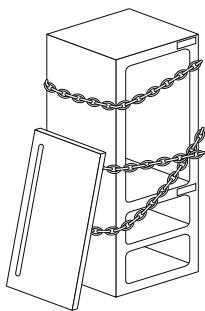
Note
Tips for the correct use of the appliance



Important
Directions to avoid appliance damage



Warning
Directions to prevent injury



Children safety

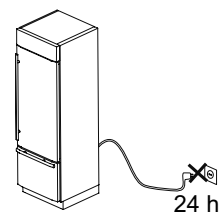
DANGER: Risk of child entrapment. Before you throw away your old refrigerator or freezer:

- Take off the doors
- Leave the shelves in place so that children may not easily climb inside.

ATTENTION



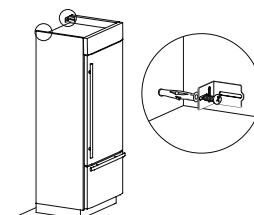
This appliance must be transported in an upright position. If this was not the case you should leave it upright for 24 hours prior to switch it on.



Take maximum care during handling to avoid harm to persons and property.



Secure the top of the appliance to the wall with the two brackets provided with the appliance.



Description	StandPlus/ X-pro	Integrated	Classic
Appliance	✓	✓	✓
Fasteners, brackets, screws, wrench for mounting outer panels		✓	
Alluminium trims to fill gap between appliance and cabinets		✓	
Owner's Kit (inside the appliance)	✓	✓	✓

Description	Maker - Models with Ice Maker	Maker - Models without Ice Maker
Water fill hose (only models with Ice Maker)	✓	
Water filter (only models with Ice Maker)	✓	
Leveling feet	✓	✓
Anti-tipping brackets, fixing plugs and screws	✓	✓
Appliance cleaning kit	✓	✓
User Manual, Installation Guide, Guarantee Certificate	✓	✓

Read the User Manual and the Guide attentively and keep it in a safe place.

Appliance features and installation requirements

Appliance dimensions Integrated	BI30	w: 749 mm (29 1/2") / h: 2120 mm (83 1/2") / d: 610 mm (24")
	BI36	w: 899 mm (35 3/8") / h: 2120 mm (83 1/2") / d: 610 mm (24")
Appliance dimensions Stainless Integrated	BKI30	w: 749 mm (29 1/2") / h: 2120 mm (83 1/2") / d: 635 mm (25")
	BKI36	w: 899 mm (35 3/8") / h: 2120 mm (83 1/2") / d: 635 mm (25")
Appliance dimensions with packaging	30" Series	w: 800 mm (31 1/2") / h: 2260 mm (89") / d: 800 mm (31 1/2")
	36" Series	w: 950 mm (37 3/8") / h: 2260 mm (89") / d: 800 mm (31 1/2")
Weight with packaging	30" Series	up to 275 kg (606 lb)
	36" Series	up to 295 kg (650 lb)
Voltage	North America Version: 115V 60Hz	
Power supply cable	North America Version: 15 A	
Potable water supply pressure	from 0.05 MPa to 0.5 MPa (0.5 Bar - 5 Bar)	
Water connection	3/4" female attachment	
Provided installation accessories	<ul style="list-style-type: none"> ■ Customized panels mounting Kit ■ Anti-tipping Kit (B04000200) ■ Lateral connecting kit (KCLIT/KCLIH) ■ 4 mm (1/8") allen wrench 	
Additional equipment necessary	<ul style="list-style-type: none"> ■ Phillips head screwdriver ■ wood and percussion drill ■ 2.5 mm (1/8") bit for wood ■ 8 mm (3/8") bit for walls ■ 17 mm (3/4") wrench 	
Adjusting height of the rear rollers	13 mm (1/2") socket	

i

Note

Not all models come with an automatic ice maker. Verify if your model is equipped with an ice maker to determine if you require water supply.

Installation niche features: Integrated Series (BI)

A area to be left clear for the anti-tipping brackets

Niche Height

2134 mm (84")

Niche Width

BI36: 900 mm (35 1/2")

BI30: 750 mm (29 5/8")

Door Swing Clearance

BI36: 1470 mm (57 7/8")

BI30: 1320 mm (52")

Door Opening Angle

105°

Width

BI36: 899 mm (35 3/8")

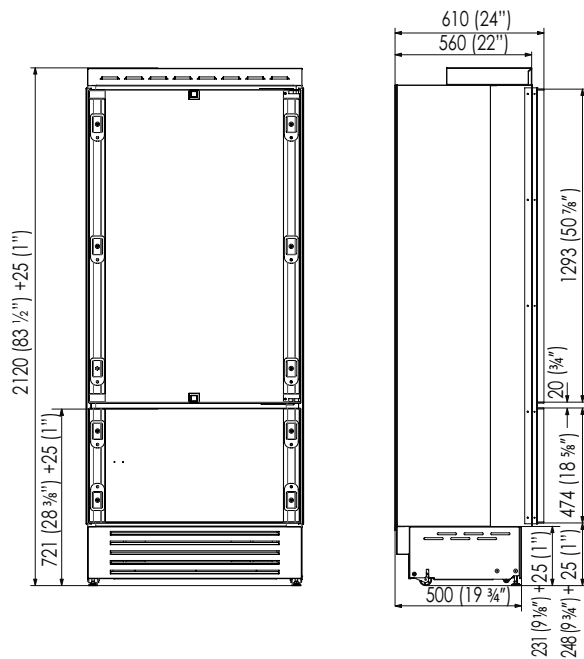
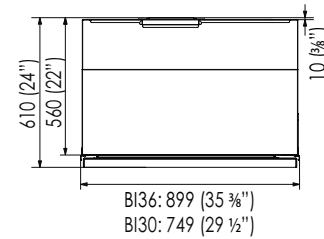
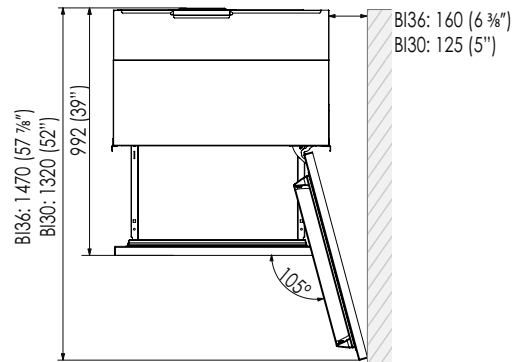
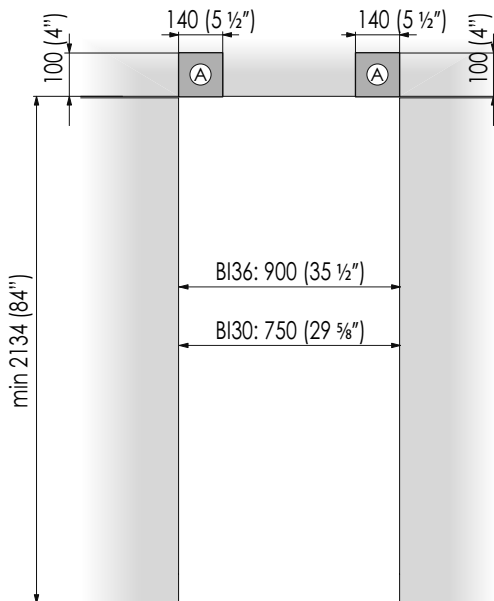
BI30: 749 mm (29 1/2")

Height

2120 mm (83 1/2") + 25 mm (1")

Depth with door (without panel)

610 mm (24")



Series: All

Installation niche requirements: Stainless Integrated Series (BKI)

A area to be left clear for the anti-tipping brackets

Niche Height

2134 mm (84")

Niche Width

BKI36: 900 mm (35 1/2")
 BKI30: 750 mm (29 5/8")

Door Swing Clearance

BKI36: 1470 mm (57 7/8")
 BKI30: 1320 mm (52")

Door Opening Angle

105°

Width

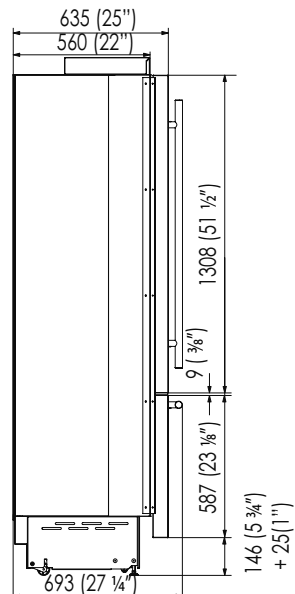
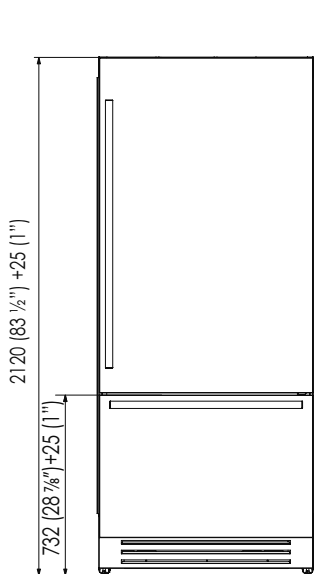
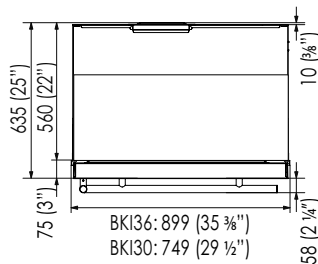
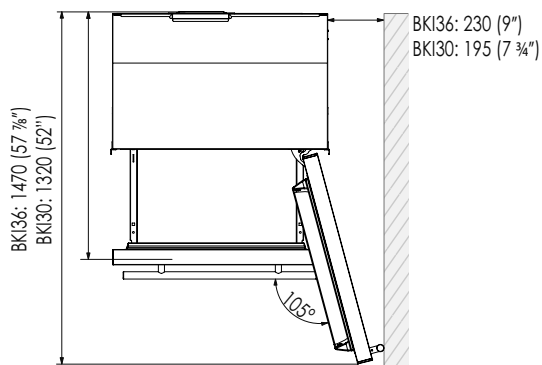
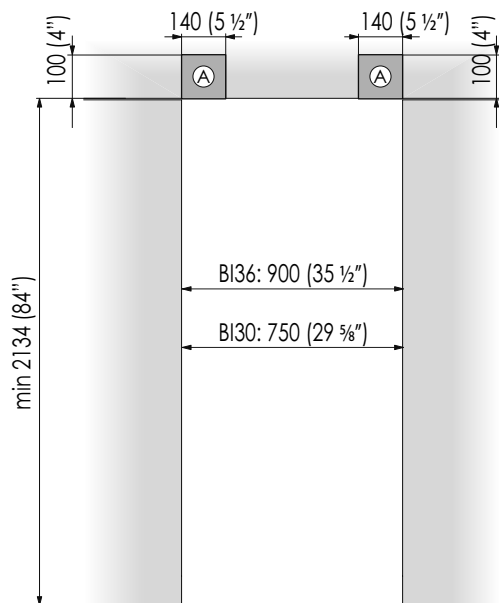
BKI36: 899 mm (35 3/8")
 BKI30: 749 mm (29 1/2")

Height

2120 mm (83 1/2") + 25 mm (1")

Depth with door (without panel)

635 mm (25")



Preparing the installation

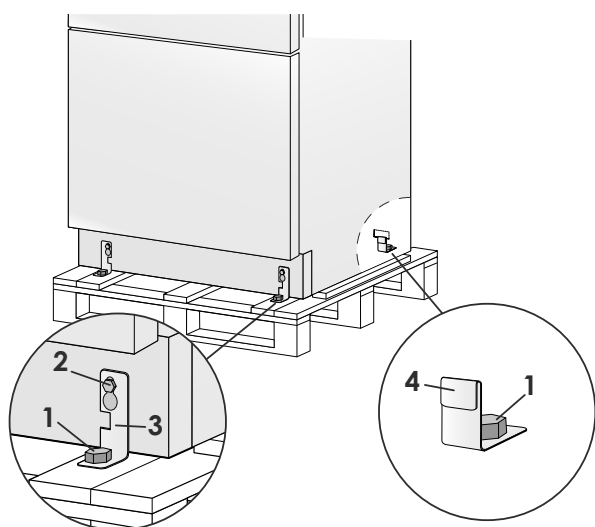
Transport to installation site and unpacking

Since this is a large and heavy appliance, before transporting the appliance, check the access to the location where it will be installed (door size, manoeuvring space in stairwells, etc.).

The appliance is attached to the base of the packaging (pallet) through four bolts which can be removed using a 17 mm (3/4") wrench. It is recommended to use a manual transporting device to move the appliance to the installation site, and only at this point to remove the base of the packaging.

The appliance should always be transported in an erect position. If this is not possible, transport the appliance laying on its rear side.

Once at the installation site, the appliance, which is equipped with four wheels, can be taken off the pallet and positioned in the installation area.



Operate as follows:

- Take off the four bolts (1) securing the appliance to the pallet by means of a 17 mm (3/4") wrench or socket.
- Remove the fixing brackets (3) and (4).
- To remove the front fixing bracket (3), unscrew for one or two turns the rear wheel adjusting bolt (2) by means of a 13 mm (1/2") socket, do not overtighten the nut as it could damage the leveling feet adjusting system.
- From the back of the unit and by means of a suitable, high duty hand trolley, take off the appliance and place it on the floor. Be mindful of any debris on the floor which could get caught under the rollers and potentially damage the flooring when moving the appliance.



The appliance is very heavy. Take maximum care during handling to avoid injury.

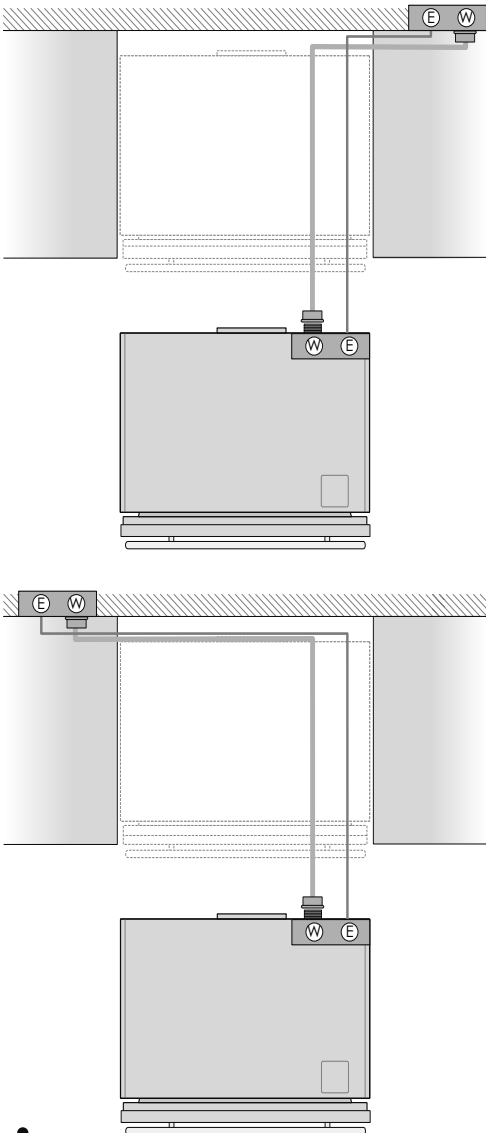


The appliance should always be transported in an erect position. Avoid at all costs leaning it on its front side.

Be very careful to avoid any damage to floors. Delicate floors should be protected with plywood, hard cardboard or similar material panels.

Series: All

Electrical and Water connection



The appliances are delivered from the factory for operation at 110V-120V AC - 60Hz (US and Canada).

Do not connect the refrigerator to any GFCI receptacle.

They are provided with a suitable supply cable and plug to be connected to an appropriate 15A socket (US and Canada) provided with an effective grounding.

A circuit breaker should also be installed and should be easily accessible so that it can be easily switched off before performing any installation or maintenance.

To connect to the water supply system (for appliances equipped with ice makers) a 1/4" waterline with accessible shut-off valve must be supplied.

The appliance is provided with a water adapter elbow which is suitable for high water pressure and complies the Food Regulations.

The water filter cartridge, which is provided with the appliance, should be installed according to the accompanying instructions. Use only the new adapter which is supplied with the appliance. The solenoid connection on the appliance is 3/4" diameter but is metric threaded. A standard garden hose threaded connector such as a braided stainless hose found at typical hardware stores will strip or damage the solenoid threads. Use only the supplied 1/4" quick connect elbow adapter for connecting a 1/4" copper or polyethylene source water line to the appliance.

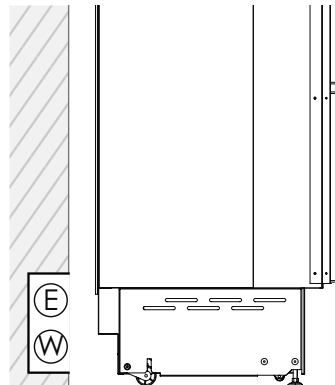
Electrical cord length: 2500 mm (98 3/8")

Water connection line length: 2500 mm (98 3/8")

Do not use extension cords and/or multiple adapters for the power supply connection.

Electrical and water supply behind the unit

Integrated Series




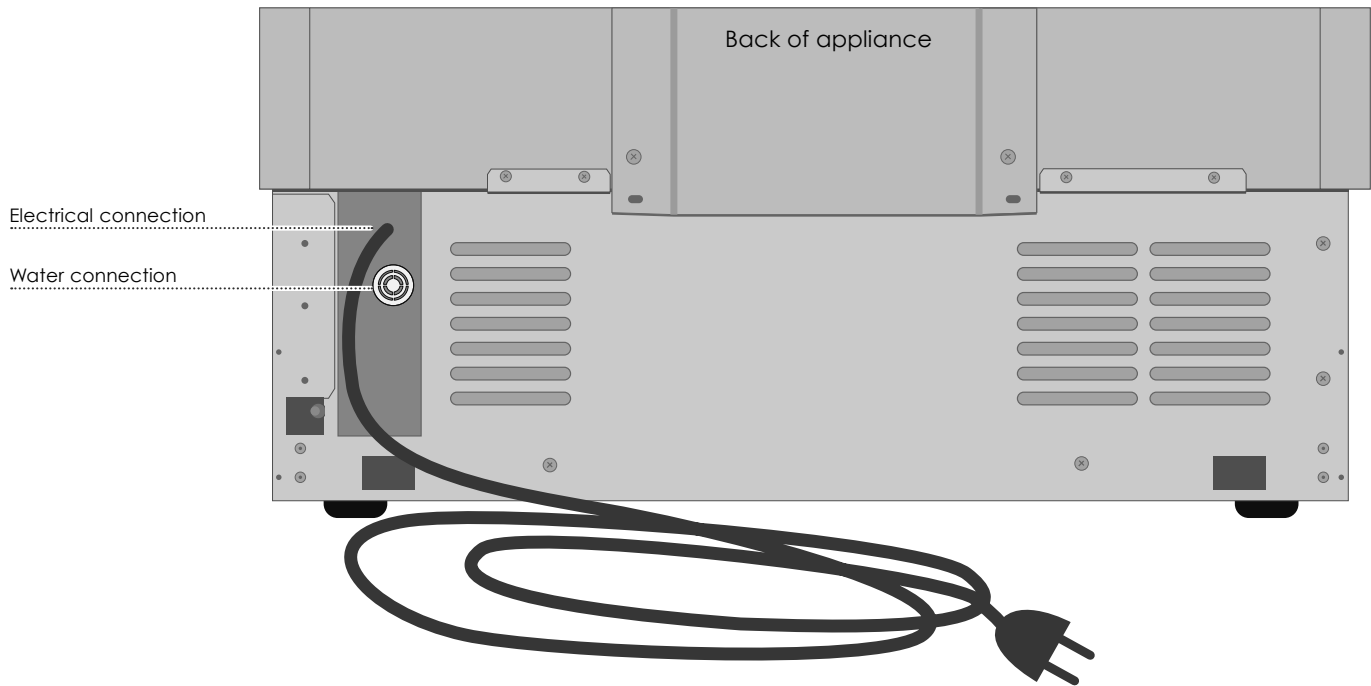
The Built-in filter cannot make it safe to drink any water which is not suitable for human consumption.



The appliance should be connected only to a drinkable water supply system.

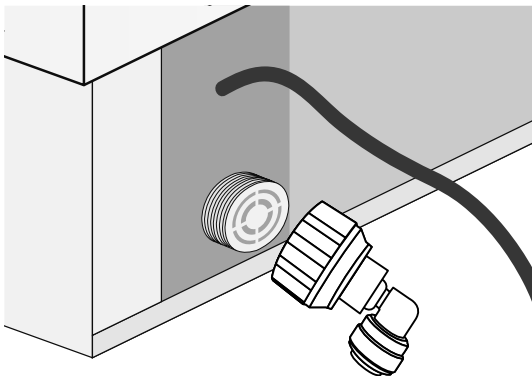


Do not use extension cords or adapters. Once the appliance is fully installed, connected to the water supply (if applicable) and operational, in the event that the water supply must be turned off, (touch the button  on control panel to switch it off) before the main water is shut off to prevent the appliance from entering a 'NO WATER IN' alarm state.



Operate as follows:

- Unwind the electric cable and connect it directly to the wall socket.



- Make sure the appliance is in the Stand-by condition and that all lights are off; should it be not so press the Unit button (Ⓢ) to switch it off.

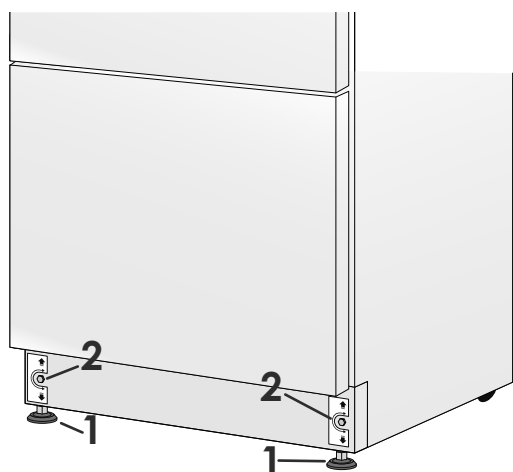
- Push the 1/4" source waterline fully into the elbow connector then thread the elbow adapter to the solenoid at the back of the appliance. Firmly tighten with fingers - a tool / wrench should not be needed to make a proper seal. Turn on the water and ensure all connections are not leaking prior to pushing the unit into the niche.

Series: All

Levelling

Adjust the appliance level by means of the front levelling feet and the rear adjustable wheels.

Operate as follows:



- The grille should ship taped to the back of the appliance. If by chance it is already in place, remove the grille (it is kept in position by magnets), adjust the height of the levelling feet ① by means of a 17 mm (3/4") wrench.

- Then adjust the height of the rear wheels by turning the front adjusting bolts ② clockwise or counter-clockwise as it may be required. (Do not use power drivers with high torque settings for this step as it could damage the levelling mechanism)

- Mount the lower ventilation grille only after the unit is finally levelled in the niche.

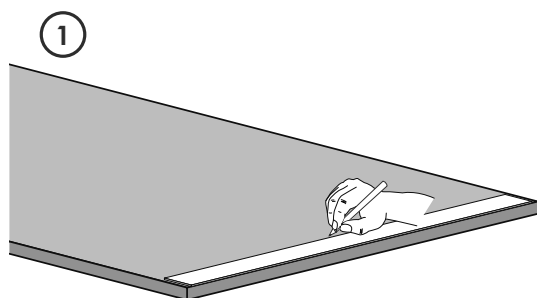
Door and Bottom-Drawer overlay panels layout

The dimensions of the panels are indicated in the table and drawings on pages 13.

Nevertheless, according to the requirements for aligning with other kitchen structures, the door panel can be higher than the upper edge of the refrigerator door, and the drawer panel can be lower than the edge of the drawer.

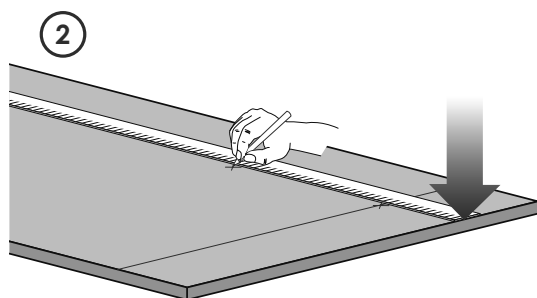
The panels must be mounted using special braces which attach to adjustable devices provided on the door and drawer and with brackets that anchor and adjust the panel's vertical direction.

Braces, brackets and fixing screws are provided with the appliance and must be applied to the panel as indicated.



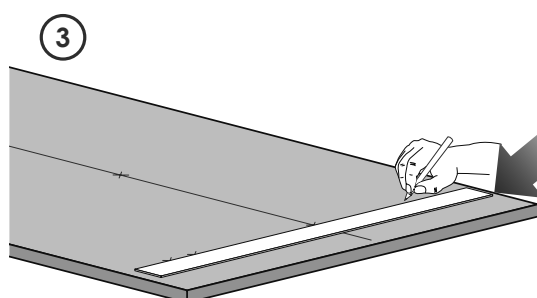
Operate as follows:

To prepare the panels to be mounted on the appliance, follow these steps, working on the back of the panel.



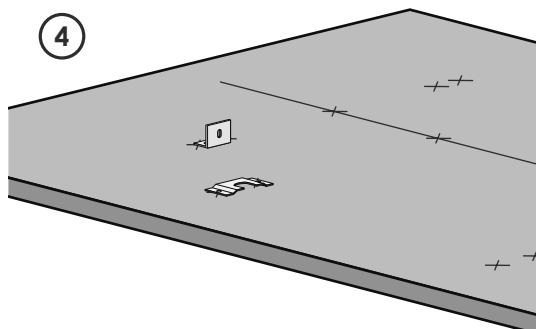
Door Panel

- Draw a reference center line, dividing the panel width in half (1).
- Starting from the bottom edge of the panel, mark the positioning of the brackets (2).



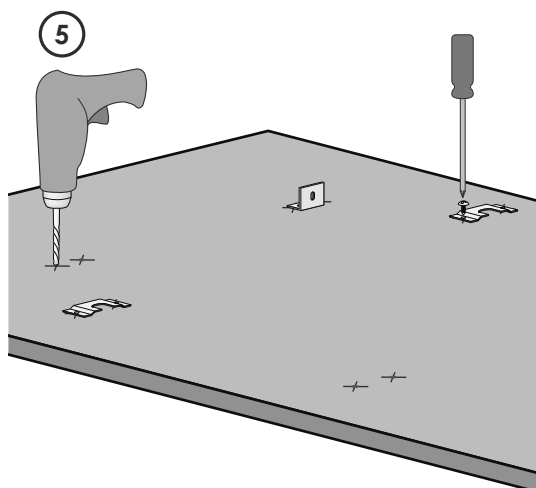
- Following the corresponding table, mark the outside and then the inside hole (3).

Series: Integrated (BI)



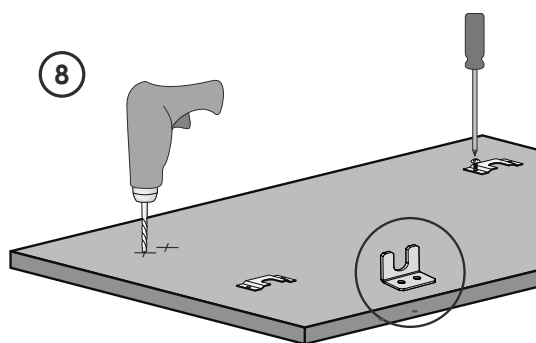
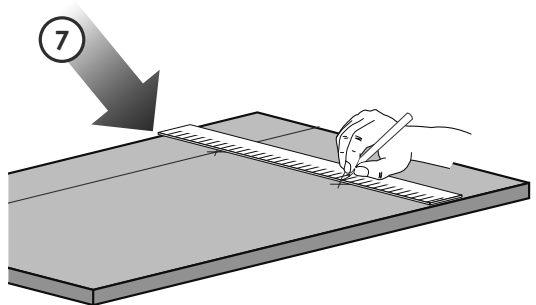
■ Position the brackets on each set of marks to make sure they are aligned (4), you may wish to drill pilot holes (pay close attention to the panel's thickness) (5).

■ Screw the brackets in place (6).

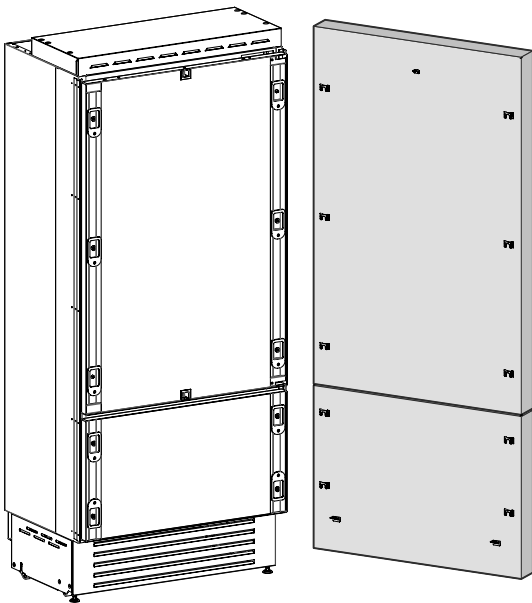


Drawer Panel

■ When preparing the Drawer Panel, follow the same instructions as per the door panel, but make sure measurements are taken starting from the top edge (7). The support bracket faces the opposite way (8) (note imgs 4 and 8).

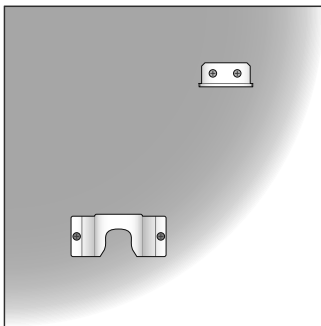


Overlay panels mounting brackets layout

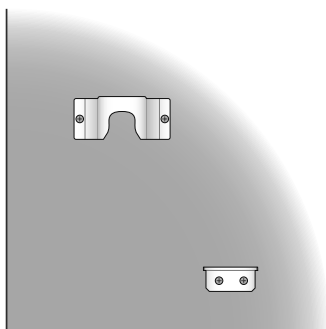


	Series 36	Series 30
A	897 (35 1/4")	747 (29 3/8")
B	417 (16 3/8")	342 (13 1/2")
C	354.5 (14")	279.5 (11")

Note: All lateral bracket placement measurements go from the center line to the outside bracket hole

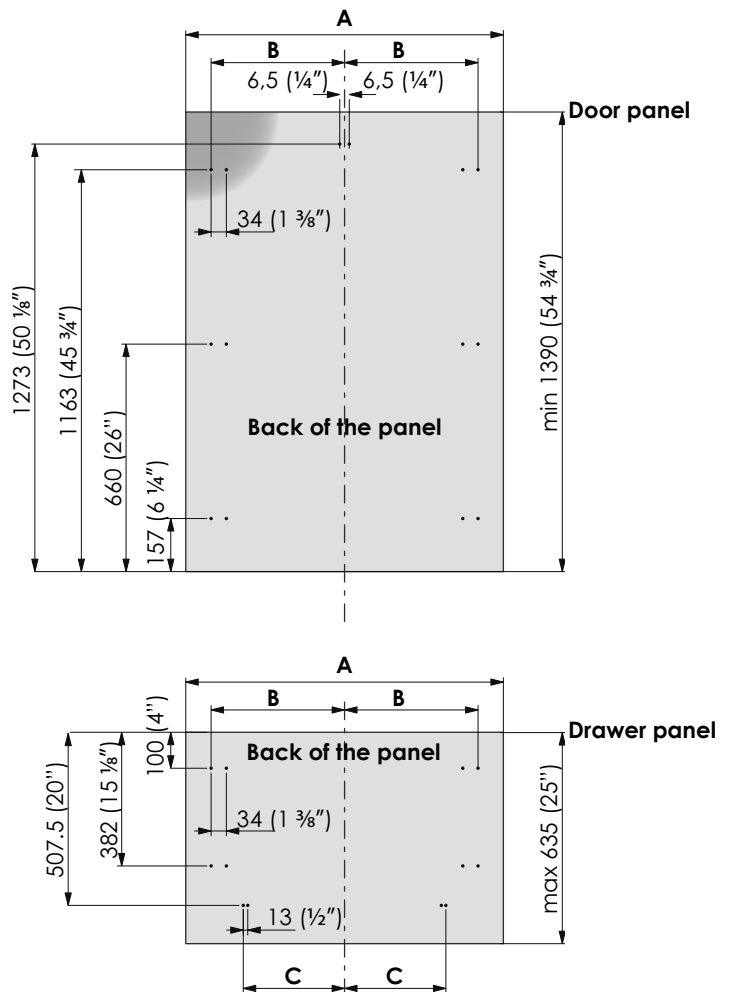


Vertical adjustment bracket for upper door. Note orientation.



Vertical adjustment bracket for lower drawer. Note orientation.

Holes positions



Series: Integrated (BI)

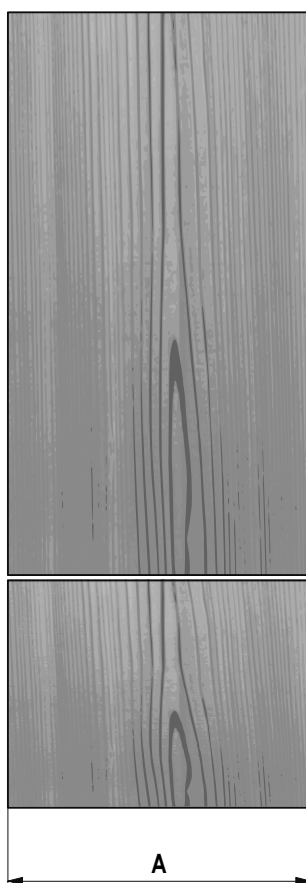
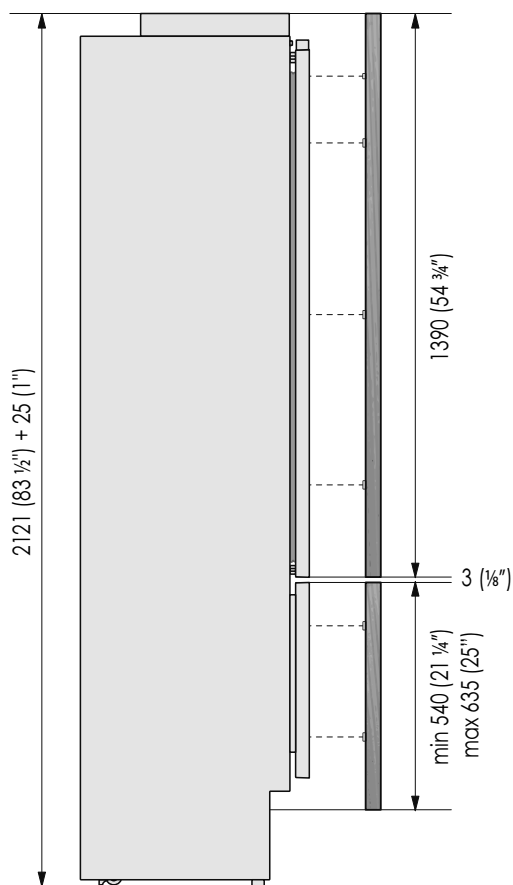
Panels Dimensions

Panels can have thickness ranging between 18 mm (3/4") and 28 mm (1-1/8").

Door panels can have a maximum weight 23 kg (51 lbs) and drawer panels may be a maximum weight of 11kg (25 lbs) Exceeding these weights could void your warranty for any service issues which can be attributed to overweight panels.

The hinging mechanism on appliances is considered to be `Zero-clearance`. The door and drawer widths specified below assume the minimum niche width is being used and a 3.5mm (1/8") reveal is desired around the panels. Adjust your panel dimensions accordingly to your own design criteria considering your niche width and your reveal. Minimum reveal / gap should not be less than 1.5mm (1/16").

Series	Door/Drawer Width	Niche Width
BI36	897 (35 1/4")	900 (35 1/2")
BI30	747 (29 3/8")	750 (29 5/8")



Example:

84" niche height
36" niche width
4" toe kick height
1/8" gap desired all around

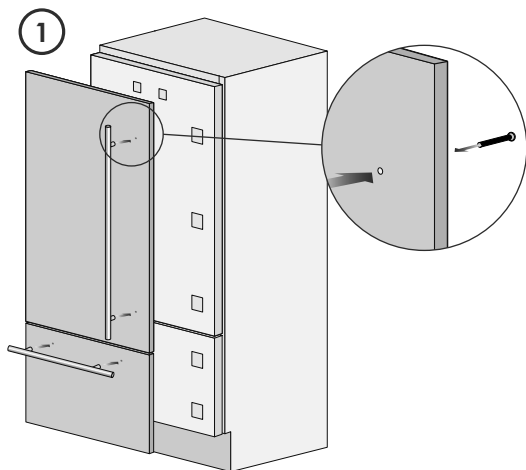
Door panel:

Width: 35-3/4"
Height: 54-3/4"

Drawer panel:

Width: 35-3/4"
Height: $84'' - 1/8'' - 54 - 3/4'' - 1/8'' - 4'' = 25''$
If you want a 6" toe kick height then your bottom drawer panel height would be 23"

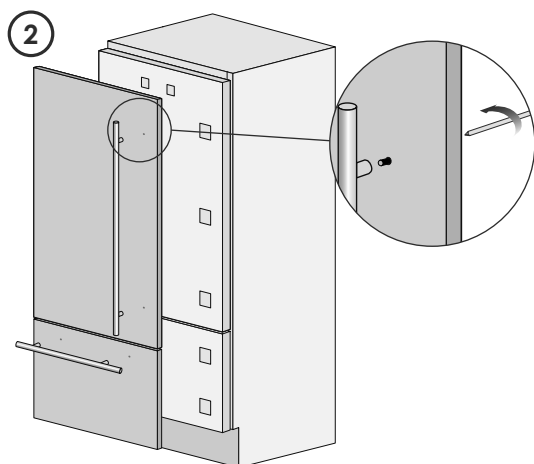
Mounting the handles on Integrated units



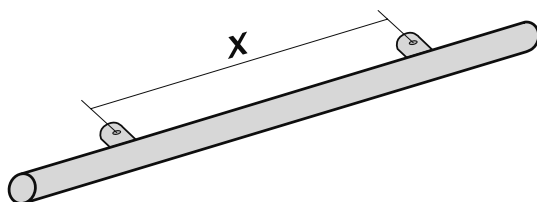
Handles will have to be mounted on the panels before they are applied to the fridge. For overlay panel mounting, remove the screw connecting the stand-offs to the handle bar. The overlay screw will pass through the overlay panel, the stand-off and into the handle bar.

Operate as follows:

- Drill two holes of 5 mm (1/4 ") on the rear side panels, insert the supplied screws to the distance indicated in the the table below. To center the vertical handle (code HV) to the center of the door, split into two the height of the panel and make a hole at -450 mm (-17 3/4") and one at +450 mm (+17 3/4") ①.

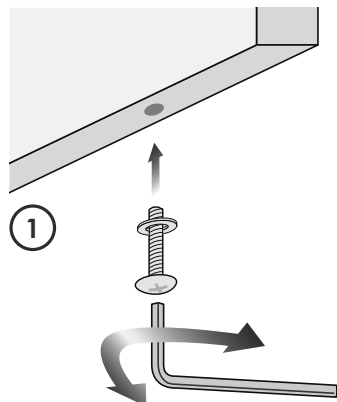


- Place the handle on top of the holes and insert the screws through the panel and into the handle support ②.



Distance between stand-offs X	900 mm (35 1/2")	480 mm (18 7/8")	490 mm (19 1/4")
--------------------------------------	---------------------	---------------------	---------------------

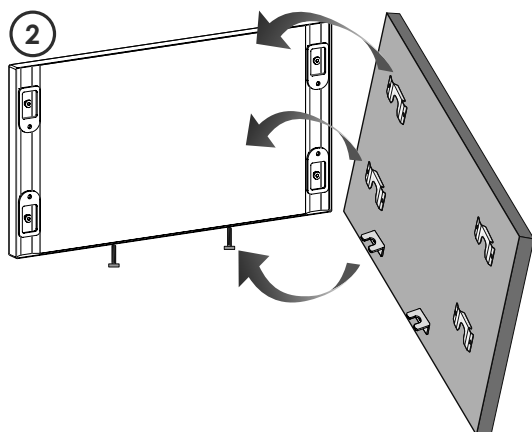
Mounting panels to the door and the drawer of Integrated units



Install 1 hanger bolt about 3 threads deep and 1 depth set screw flush to foam gasket in each mounting cavity.

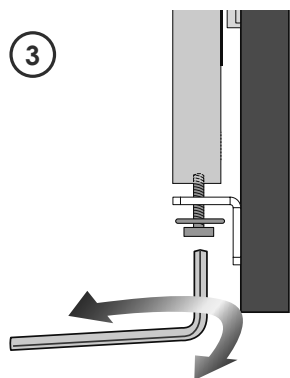
Once all brackets and small brackets have been applied to the panels, you can begin installing the bottom drawer.

Operate as follows:



■ Partially install the adjustment bolt with washer into the two holes in the bottom of the drawer (1).

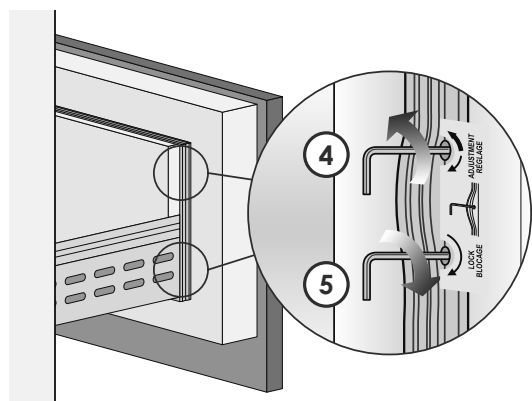
■ Ensure the L-brackets align with the adjustment bolts on the bottom, place panel against the drawer face with the hanger brackets above the hanger bolts and allow the panel to drop down. Ensure all the hanger brackets engage the hanger bolts (2).



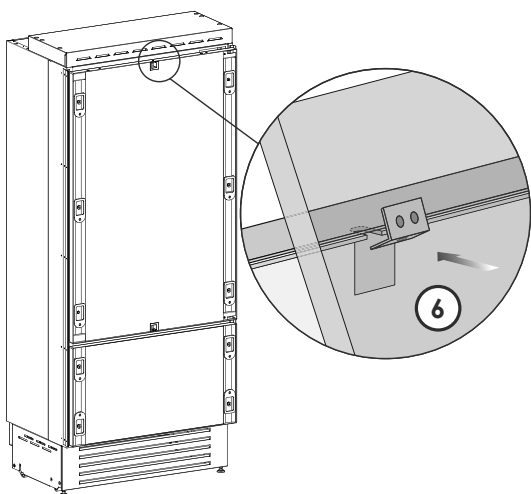
■ It is now possible to align panels to adjacent cabinets in height using the lower alignment brackets, (3) tightening or untightening the bolts into position as needed. With the hanger bolts slightly tightened, move the panel sideways to align it to the other panels on the unit or other adjacent structures. Tapping the panel with a rubber mallet is a good way to make small adjustments to the X-alignment of the panel.

■ Depth alignment: working from the inside of the drawer, after lifting up the magnetic seal, adjust the panel position so it is closer to or further away from the door using the holes (4) and then secure the panel using the holes (5).

Turning in the direction of the thick arrow pulls the panel closer to the door / drawer face, turning in the direction of the thin arrow pushes the panel away from the face of the door / drawer.

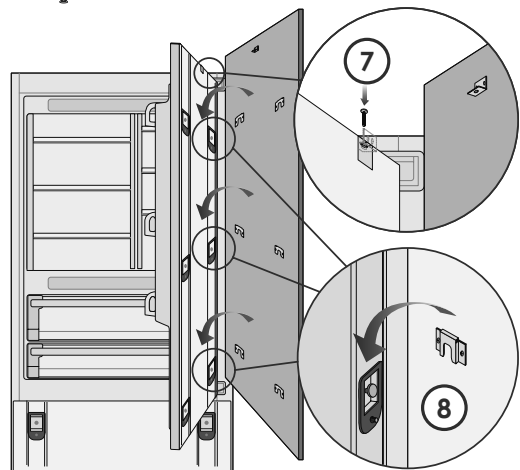


• Once the front panel has been adjusted, check that the gasket has been repositioned correctly to assure the door/drawer are closing correctly and avoid operational errors of the unit.



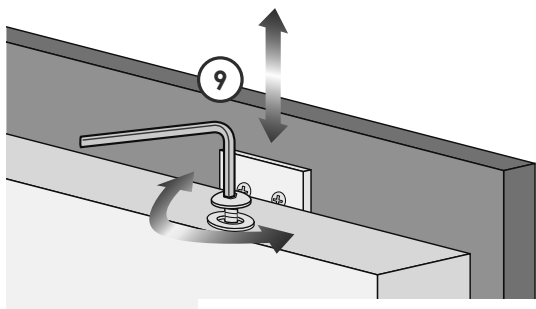
- Ensure the top adjustment L-brackets are aligned and inserted into the cavities at the top of the door (6).

Make sure all the hanger brackets begin above the hanger bolts and then lower the panel down checking that each hanger bracket has engaged its corresponding hanger bolt.

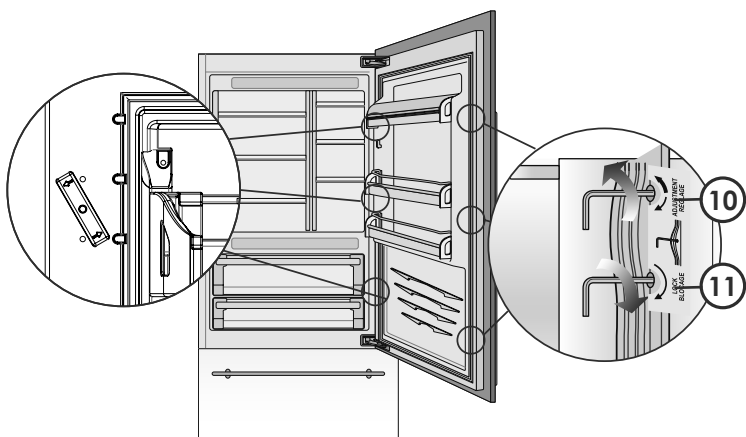


- At this point, alignment between the panel and adjacent cabinets can be adjusted using the alignment brackets and small brackets (7) and (8).

- Vertical alignment: tighten or loosen the screw in the brackets to raise or lower the panel (9).



- Depth alignment: working from the inside of the door, after lifting up the magnetic seal, adjust the panel position so it is closer to or further away from the door using the holes (10) and then fix the panel in position using the holes (11).



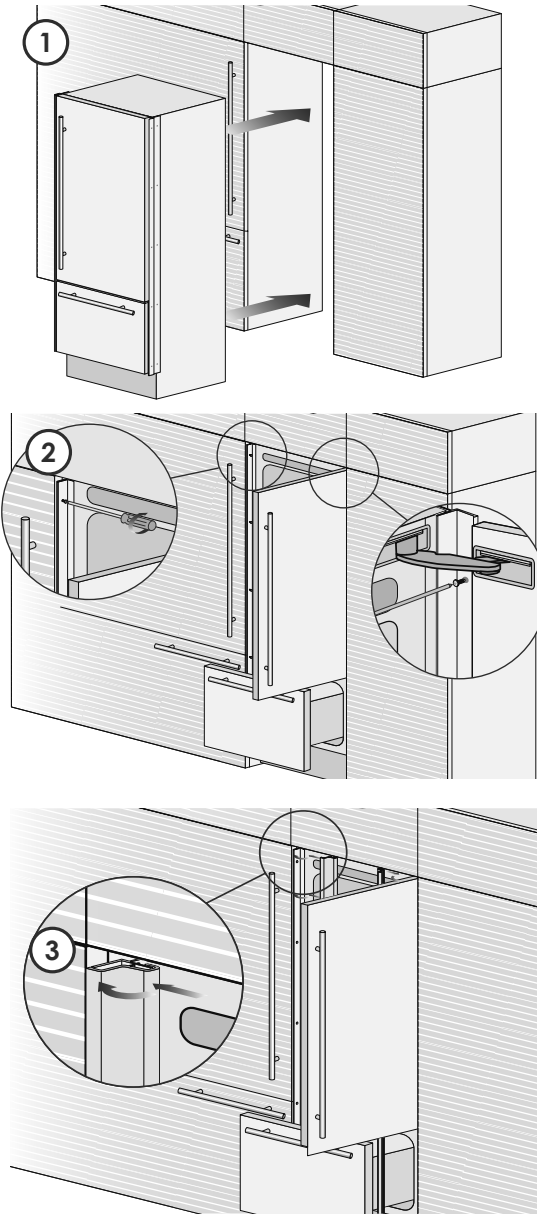
Once the front panel has been adjusted, check that the gasket has been repositioned correctly to assure the door/drawer are closing correctly and avoid operational errors of the unit.

Series: All

!!! Installation in cabinet of this height requires that the back of the cabinet be ventilated through the top. Otherwise, an additional 2 inches of cabinet height is required for adequate ventilation. Height of custom side panel can be higher as necessary.

Installation

Built-in installation single appliance



For a built-in installation, to close gaps between the appliance and the adjacent cabinets, special side profiles (installed) and aluminum trim covers (taped to back of appliance) are provided. Side profiles are used for fixing the appliance to the niche cabinet and can be shimmed from the side of the appliance in order to match the niche width. (Remove screws holding trim to side of appliance and place washers between profile and appliance and replace screws for example)

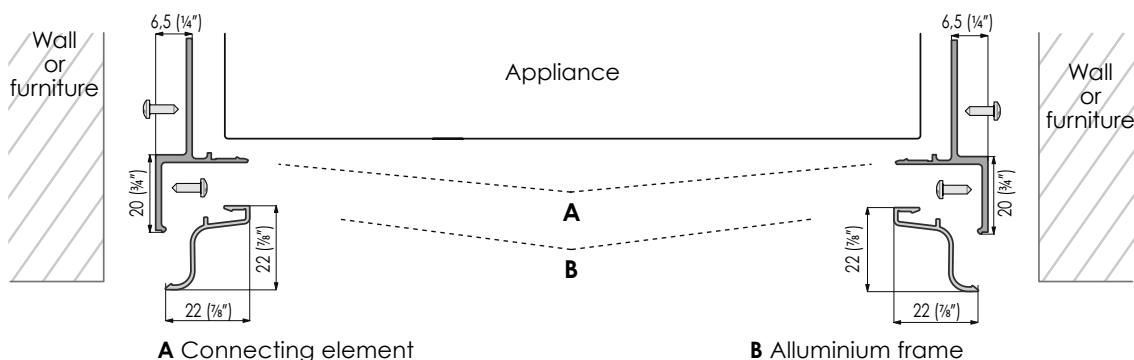
Operate as follows:

- Push the appliance into the installation niche ①.
- If the unit is to be installed inside a niche or within an enclosed structure, it is not necessary to design a ventilation shaft at the back of the niche as North American models come with a top ventilation cap which accommodates sufficient ventilation even though it is behind the overlay panel.

Ensure panels are mounted (BI Series) prior to pushing the appliance all the way into the niche as the panel mounting procedure requires additional height clearance than the niche provides. If for some reason the top ventilation cap has been removed - a minimum 5mm gap must be provided at the top / back of the cabinetry to allow warm air to escape.

- Check the levelling of the appliance, adjusting its feet and wheels to correct it.
- Using the screws provided, secure the appliance to the adjacent cabinets through the holes on the profile side trims ②. To make this operation easier keep the door and the drawer open. It may be necessary to hold the door at an approximate 70 degree angle to get the easiest access on the hinge side profile with a screwdriver.
- Install the profile trim covers: mate with the face of the appliance and the top of the niche then slide laterally over the profile trims. It will be necessary to press firmly or use a block and mallet to completely lock the trims into place until a 'click' is heard. Take care not to damage the soft aluminum trims. Ensure that the full installation is satisfactory prior to installing the profile trim covers as it is very difficult to remove them without damaging them after installation ③.

Side profiles mounting



Built-in installation of two or more appliances
Note: top ventilation caps not shown in illustrations

Required accessories to be ordered separately:

- Central connection Kit (KCCITU)

Each appliance comes with its own set of side profile trim covers for where the appliance connects to the niche side walls. In side-by-side configurations only 1 side profile trim cover will be needed from each set. Where the two appliances connect together will be covered with a central connection trim cover provided in the connection kit accessory.

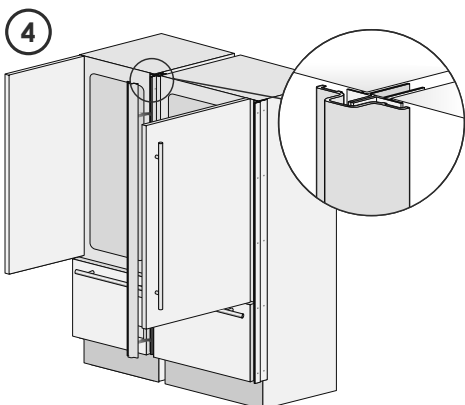
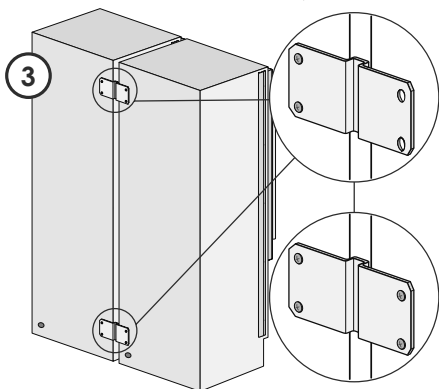
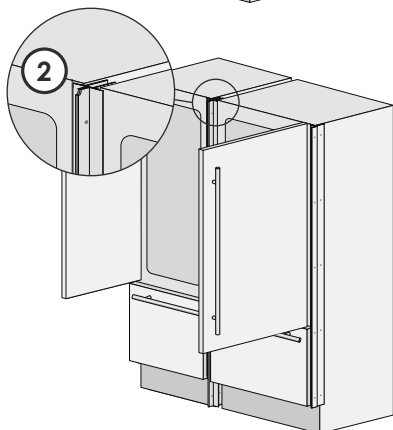
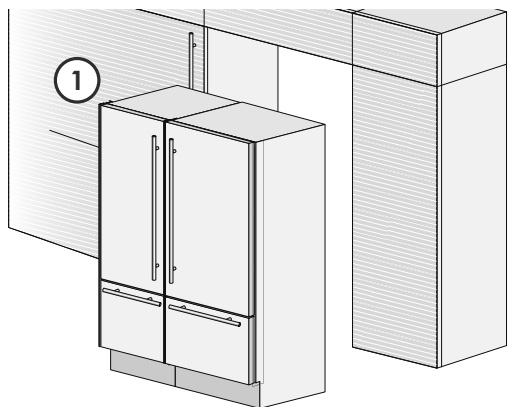
Operate as follows:

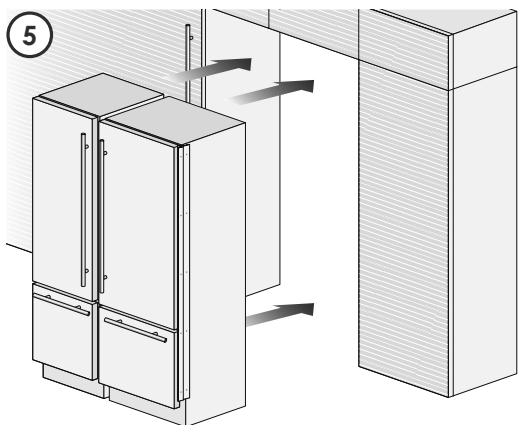
- Position the appliances in front of the installation area, leaving enough space to operate at their back ①.

- Place the two units side by side, level them with respect to each other by aligning the screw holes in the side profile trims and then join them at the front either using pop rivets (supplied with central connection kit) or with 1/4" length #6 screws (not supplied) ②.

- At the back of the appliances mount the connection brackets: fix one side of the top and lower brackets to one of the appliances and subsequently to the other ③.

- Once units are fully installed snap the central cover frame onto the central connection profile by firmly pressing toward the front of the appliance until it clicks ④.

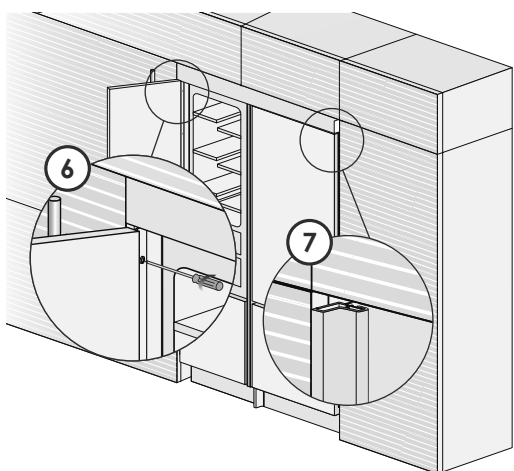




■ Once completed the previous steps, push the units in their final position **5**.

If the units are to be installed inside a niche or within an enclosed structure, it is not necessary to have additional ventilation at the back of the niche as North American units come with a factory installed ventilation cap on top to prevent overheating. Always mount front panels on door and drawer before pushing the unit into their final position in the niche as the panels require additional clearance at the top when being mounted.

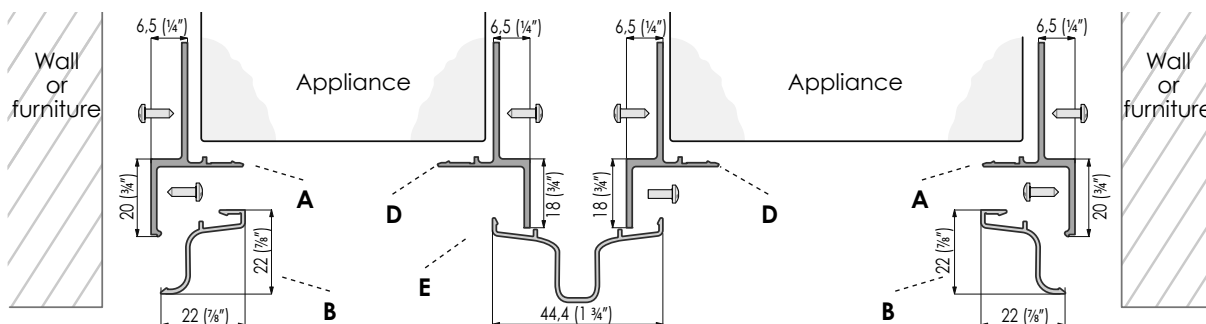
■ Check the levelling of the appliance, adjusting its feet and wheels to correct it.



■ Using the provided screws secure the appliance to the adjacent cabinets through the side profiles **6**. To make this operation easier keep the door and the drawer open.

■ Mount the aluminum trim covers onto the side profile trims by mating with appliance face and niche ceiling and then sliding towards the niche sidewalls **7**. Press firmly until a click is heard. A wood block and mallet may be needed to snap into place. Make sure not to damage the trims.

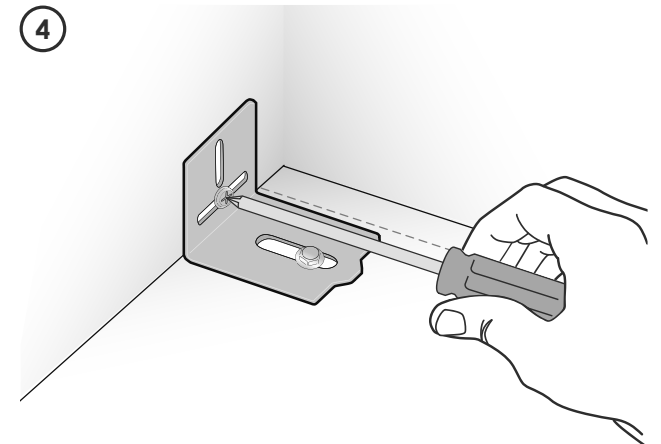
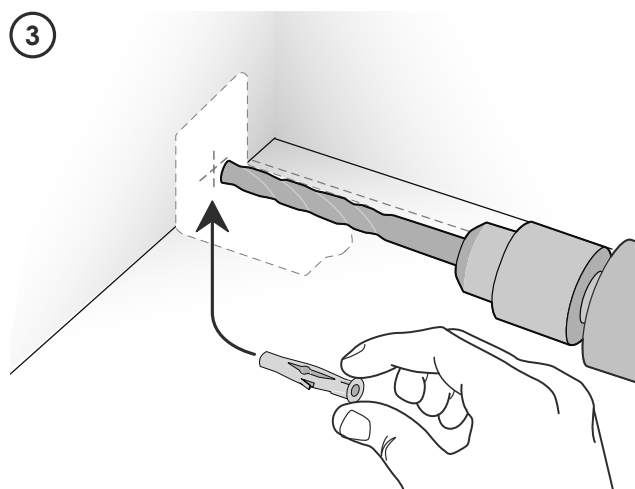
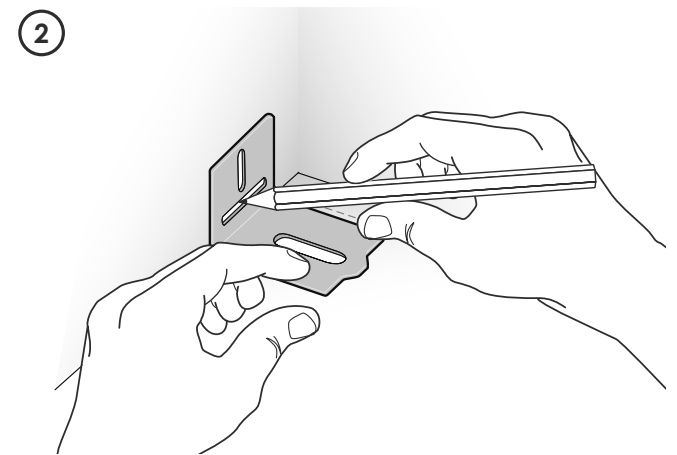
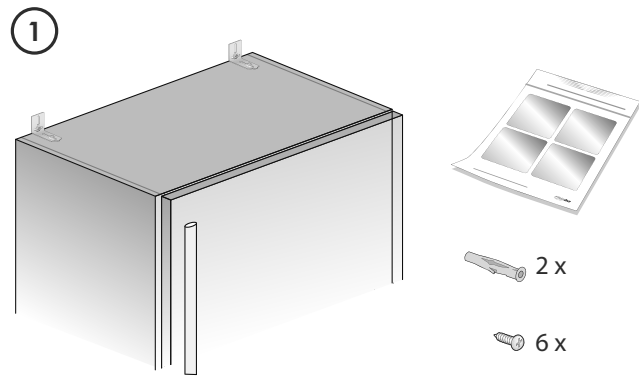
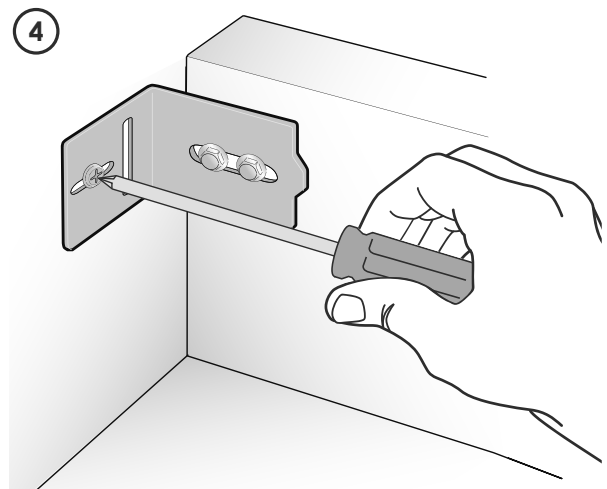
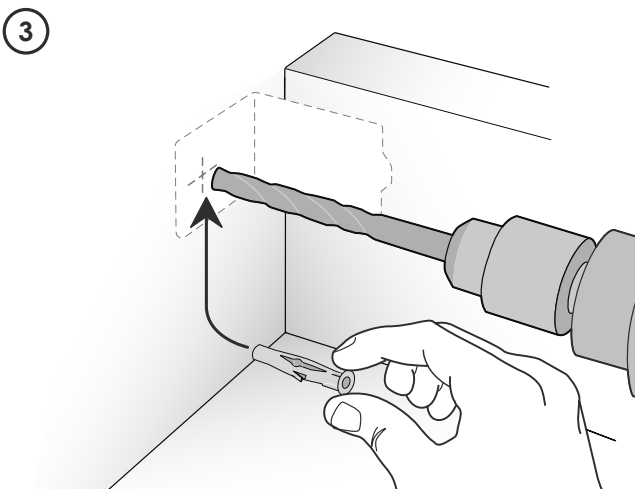
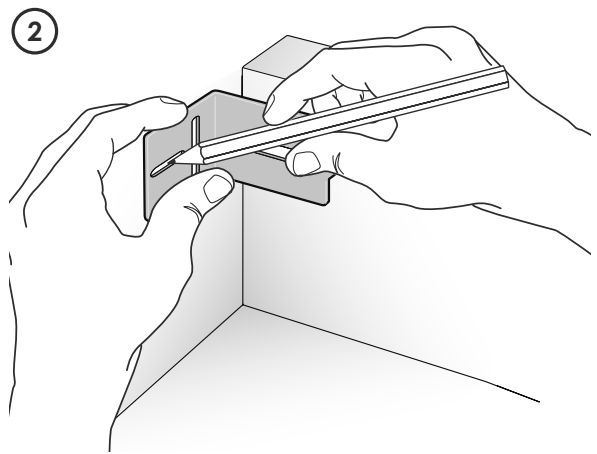
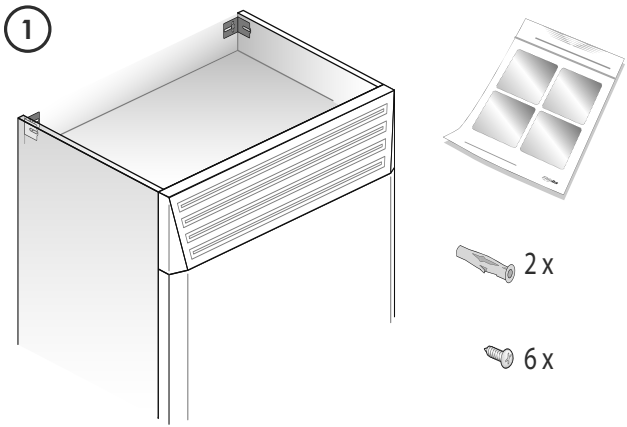
Side and central profiles mounting



A Connecting element
B Alluminium frame

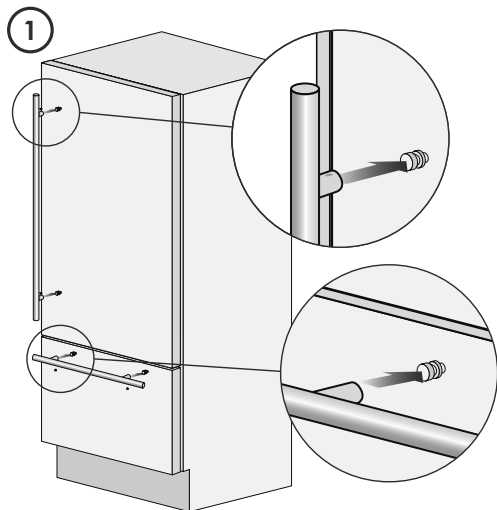
D Connecting element
E Aluminium frame

Anti tipping kit installation



Series: Stainless (BKl)

Mounting handles on stainless front

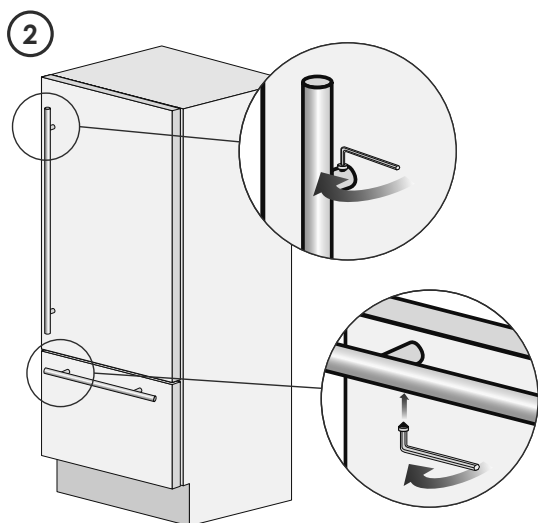


To mount the handles onto the door and the drawer operate as follows:

Operate as follows:

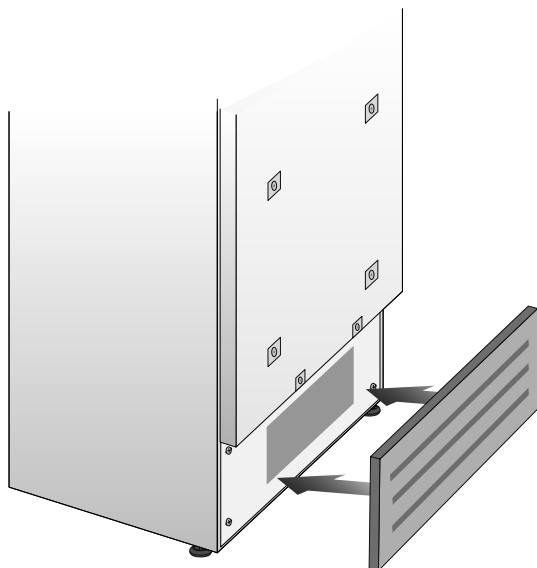
- Insert the two handle spacers onto the mounting studs already available on the door and the drawer (1). Ensure the mounting studs are not loose.

- Screw in the Allen set-screws pre-installed on the handle (2).




The screws must be tightened in by means of a 2.5 mm (1/8") hex wrench / Allen key. Take care not to damage or scratch the stainless panel with the tool.

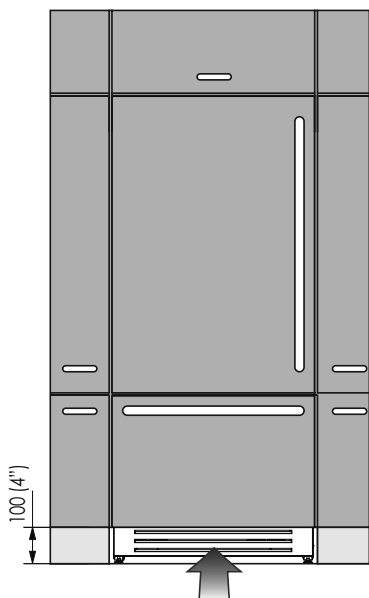
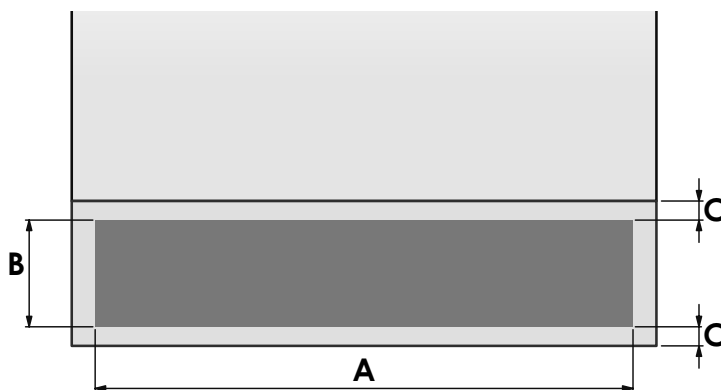
Air circulation



A forced air system assures ventilation through a grille positioned in the lower front part of the unit. If the kitchen design includes a kickplate, the latter has to be punched in order to maintain a satisfactory air flow, as described in the drawing. Holes can be in any shape and size, as long as the total area of the punched part equals 50% of the kickplate area.

In this case, to guarantee a better air flow, it is advisable to remove the front grille included with the unit. The grille is secured to the unit with magnetic plates and can be easily removed even by the end user, to provide for regular cleaning procedures and remove dust. If the grille is partially covered by the kitchen kickplate, it is advisable to remove the grille in order to provide for a better airflow.

	36 Series	30 Series
A	860 (33 7/8")	740 (29 1/8")
B	> 100 (4")	
C	10 (3/8")	
	50%	



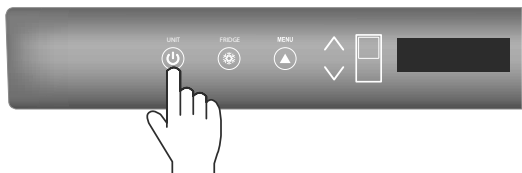
The air intake and outlet must not be blocked or covered in any way. They also need to be dusted/cleaned on a regular basis.

Series: All

Post installation checklist

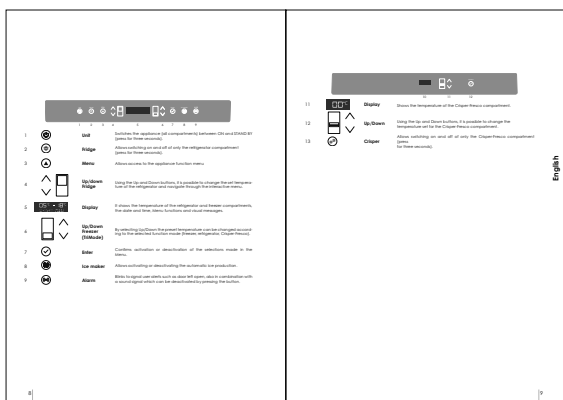
- Check that the front levelling feet have been properly installed.
- Check that the connection to the water system does not have any leaks and that the closing tap is easily accessible.
- Check that the electrical connection is correctly installed and that the multipole switch and socket are easily accessible.
- Check the perfect alignment of the appliance with adjacent structures.
- Check that all adhesive tape and external or internal temporary protective devices have been removed.
- Check the perfect closing of the doors and the smooth sliding of the drawers and shelves.

Start up



■ To start the appliance, connect the plug to the electrical mains: at this point, when opening the door, the control panel will usually visualize the message "Stand by", and all the panel keys be off

■ To turn on all the appliance compartments, press the Unit button for three seconds. The display will show the message "Initial test" for approx. 2 minutes. After this phase the compressors will start up and remain on until the default temperature set up in the factory is reached. Do bear in mind that this condition could last several hours during which time the display will continue to flash the 'Start Up Phase' message.



If the appliance is provided with an Ice Maker, prior to switching it on make sure that the water filter cartridge is installed (unless water supply source is already filtered by other means such as reverse osmosis).

Purge air from the water lines by enacting the 'Manual Clean' function from the Menu->Functions->Water Filter options. You may need to complete this sequence several times until you stop hearing air sputtering from the ice maker fill tube.

Once you are satisfied that the system is purged of air switch the Ice Maker on by touching the button which will illuminate.

Note: If the TriMode drawer is configured as a Fridge or a Fresco compartment the ice maker will be disabled. Default mode for the TriMode drawer is Freezer.

!

If at the first start - up the message Stand by does not appear, but other messages appear, such as Fridge too warm, Fresco too warm, Freezer too warm, or sound signals are activated, it means, it means that the appliance has already started the cooling process.

If this is the case, deactivate any possible acoustic signals by pressing the Alarm button, close the door and wait until the set temperature is reached.

!

It is necessary to let the unit reach the correct temperature before foods are stored inside.

■ For further information about the appliance operation, refer to the User Manual.

IMPORTANT

- Les dimensions entre parenthèses sont en pouces: mm(in).
- Les poids entre parenthèses sont en livres: kg(lb).
- Les températures entre parenthèses sont en °F: °C (°F).

Indications importantes

Page 3	Indications importantes concernant la sécurité Pour la sécurité des enfants
--------	--

Caractéristiques techniques

4	Caractéristiques de l'appareil et conditions requises pour l'installation
5	Caractéristiques de la niche d'installation: Série Integrated (BI)
6	Caractéristiques de la niche d'installation: Série Inox Integrated (BKI)

Préparation à l'installation

7	Transport sur le lieu d'installation et déballage
8	Raccordements électrique et hydraulique
10	Mise à niveau

Montage des panneaux

11	Préparation des panneaux décoratifs pour la porte et Grands bacs
13	Préparation des panneaux décoratifs pour Réfrigérateur avec un Grand bac
14	Dimensions des panneaux
15	Montage des poignées: Série Integrated
16	Fixation des panneaux à la porte et au Grand bac: Série Integrated

Installation dans la niche

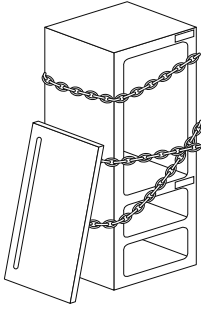
18	Encastrement appareil unique
19	Encastrement combinaison

Achèvement de l'installation

21	Montage de la sécurité anti-renversement
22	Montage des poignées sur le devant inoxydable
23	Circulation de l'air
24	Contrôle de fin d'installation
25	Mise en marche

Indications importantes concernant la sécurité

Symboles utilisés dans le manuel



Important

Indications afin d'éviter tout endommagement de l'appareil



Note

conseils pour une correcte utilisation de l'appareil



Attention

indications afin d'éviter toute lésion aux personnes

Pour la sécurité des enfants

DANGER : Risque d'enfermement pour les enfants. Avant de jeter un vieux réfrigérateur ou congélateur :

- Retirer les portes
- Laisser les étagères en place afin d'empêcher que des enfants grimpent dedans.

Caractéristiques de l'appareil et conditions requises pour l'installation

Dimensions de l'appareil Integrated	BI30	l: 749 mm (29 1/2") / h: 2120 mm (83 1/2") / p: 610 mm (24")
	BI36	l: 899 mm (35 3/8") / h: 2120 mm (83 1/2") / p: 610 mm (24")
Dimensions de l'appareil Inox Integrated	BKI30	l: 749 mm (29 1/2") / h: 2120 mm (83 1/2") / p: 635 mm (25")
	BKI36	l: 899 mm (35 3/8") / h: 2120 mm (83 1/2") / p: 635 mm (25")
Dimension de emballé	Série 30"	l: 800 mm (31 1/2") / h: 2260 mm (89") / p: 800 mm (31 1/2")
	Série 36"	l: 950 mm (37 3/8") / h: 2260 mm (89") / p: 800 mm (31 1/2")
Poids avec emballage	Série 30"	max 275 kg (606 lb)
	Série 36"	max 295 kg (650 lb)
Tension d'alimentation	Modèle américain: 115V 60Hz	
Câble d'alimentation	Modèle américain: 15A	
Pression d'alimentation de l'eau potable	de 0.05 MPa à 0.5 MPa (0.5 Bar - 5 Bar)	
Tuyau d'alimentation de l'eau	fourni, raccord femelle 3/4", indiqué pour aliments	
Accessoires pour l'installation fournis	<ul style="list-style-type: none">■ kit fixation des panneaux sur demande■ Kit Anti-renversement (B04000200)■ kit de raccordement latérale (KCLIT/KCLIH)■ clé à six pans de 4 mm (1/8")	
Équipement nécessaire	<ul style="list-style-type: none">■ tournevis cruciforme■ perceuse à bois et à percussion■ pointe pour bois de 2.5 mm (1/8")■ pointe pour mur de 8 mm (3/8")■ clé ouverte de 17 mm (3/4")	
Réglage de la hauteur des rouleaux arrière	13 mm (1/2") socket	

Note

Modèles ne sont pas tous équipés avec distributeur de glaçons. Vérifiez si votre modèle est équipé d'une machine à glaçons pour déterminer si vous avez besoin de le tuyau d'alimentation de l'eau.

Caractéristiques de la niche d'installation: Série Integrated (BI)

A espace à réserver aux équerres anti-renversement

Hauteur de l'encastrement

2134 mm (84")

Largeur de l'encastrement

BI36: 900 mm (35 1/2")
 BI30: 750 mm (29 5/8")

Encombrement avec porte ouverte

BI36: 1470 mm (57 7/8")
 BI30: 1320 mm (52")

Angle d'ouverture de la porte

105°

Largeur

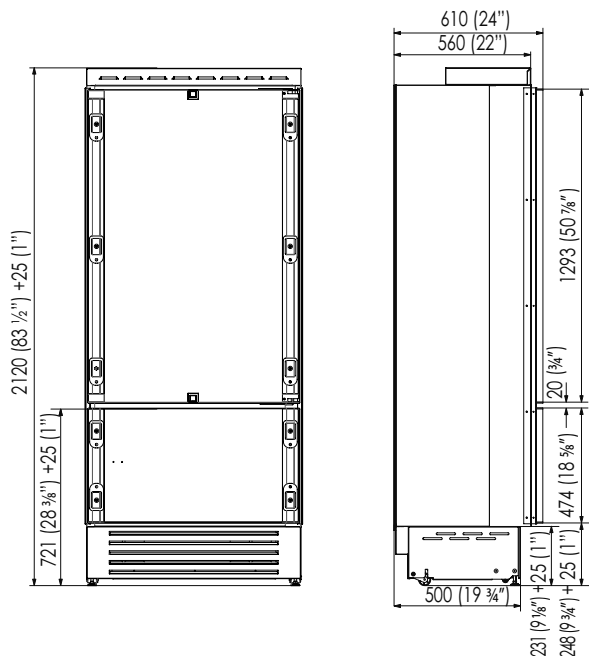
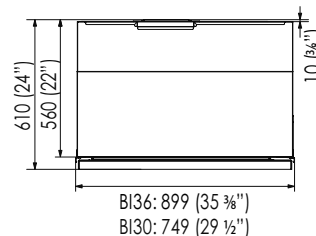
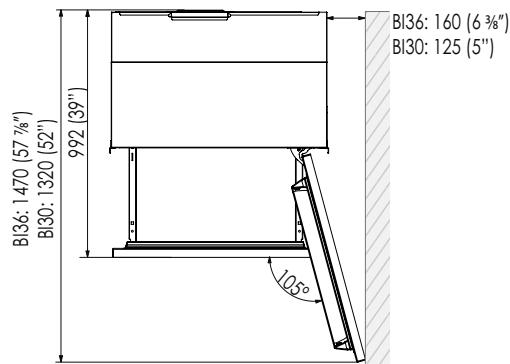
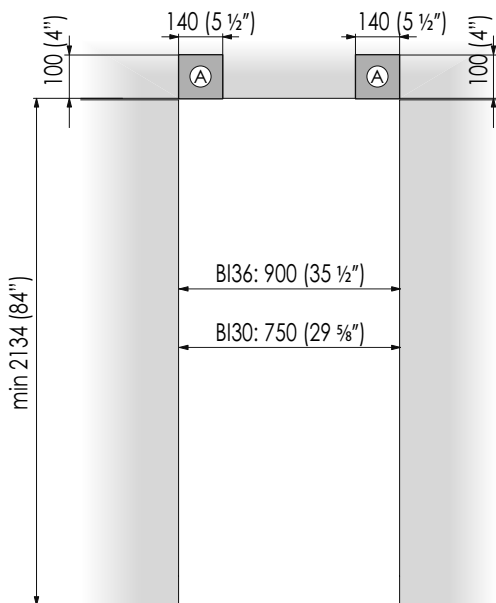
BI36: 899 mm (35 3/8")
 BI30: 749 mm (29 1/2")

Hauteur

2120 mm (83 1/2") + 25 mm (1")

Profondeur (sans panneau)

610 mm (24")



Caractéristiques de la niche d'installation: Série Inox Integrated (BKI)

A espace à réserver aux équerres anti-renversement

Hauteur de l'encastrement

2134 mm (84")

Largeur de l'encastrement

BKI36: 900 mm (35 1/2")

BKI30: 750 mm (29 5/8")

Encombrement avec porte ouverte

BKI36: 1470 mm (57 7/8")

BKI30: 1320 mm (52")

Angle d'ouverture de la porte

105°

Largeur

BKI36: 899 mm (35 3/8")

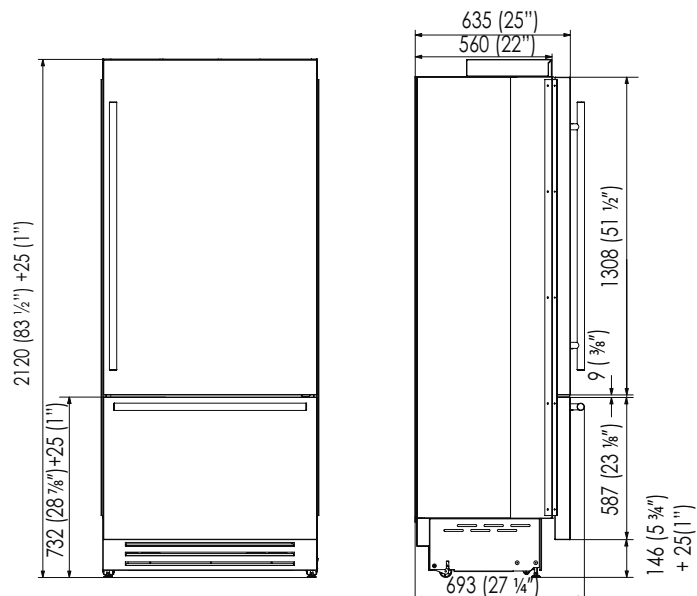
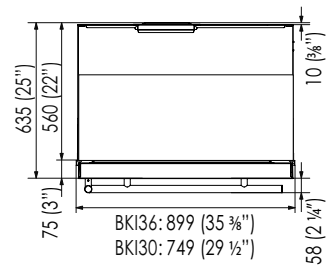
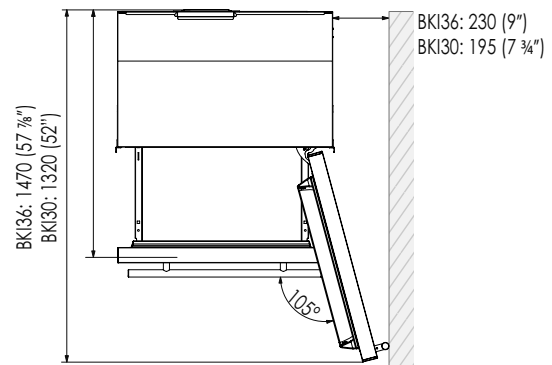
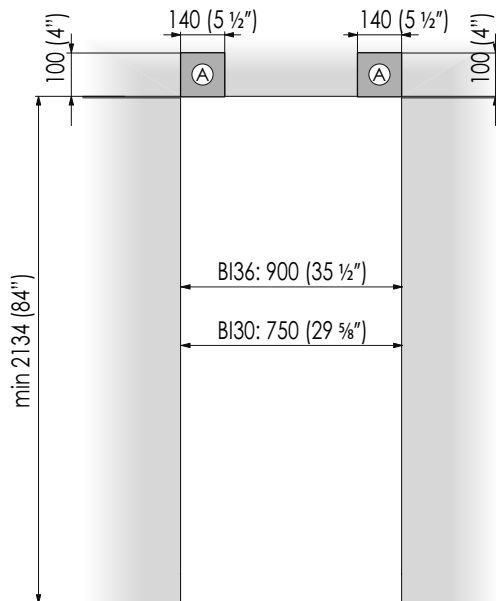
BKI30: 749 mm (29 1/2")

Hauteur

2120 mm (83 1/2") + 25 mm (1")

Profondeur (sans panneau)

635 mm (25")



Préparation à l'installation

Transport sur le lieu d'installation et déballage

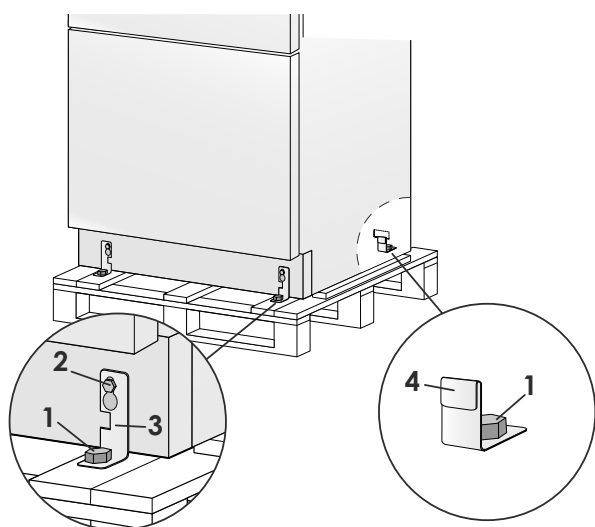
S'agissant d'un appareil lourd et de grandes dimensions, avant de transporter l'appareil, s'informer sur les modalités d'accès au lieu où il sera installé (dimensions des portes, espaces de mouvement dans les escaliers, etc.).

L'appareil est fixé à la base de l'emballage (palette) moyennant quatre boulons amovibles avec une clé de 17 mm (3/4").

Il est conseillé d'utiliser un transporteur manuel pour manutentionner l'appareil jusqu'à la zone où celui-ci sera installé et seulement alors retirer la base de l'emballage.

L'appareil devrait toujours être transporté en position verticale. Si cela n'est pas possible, transporter l'appareil couché sur le dos.

Une fois que l'on a atteint la zone prévue pour l'installation, enlever les emballages, faire descendre l'appareil de la palette emballages et faire descendre l'appareil de la palette.



Intervenir de la manière suivante:

- Enlever les quatre boulons (1) qui fixent l'appareil à la palette en utilisant une clé ouverte de 17 mm (3/4").
- Retirer les crochets de fixation (3) et (4).
- Pour retirer le crochet de fixation (3), dévisser pour un ou deux tours le boulon de réglage (2) de la roue arrière en utilisant une clé à douille de 13 mm (1/2» in) .
- De l'arrière de l'unité et au moyen d'un chariot diable de caractéristiques appropriées, retirer l'appareil et le poser sur le sol.



**L'appareil est très lourd.
Faire très attention durant la manipulation
afin d'éviter tout dommage aux personnes
et aux choses.**

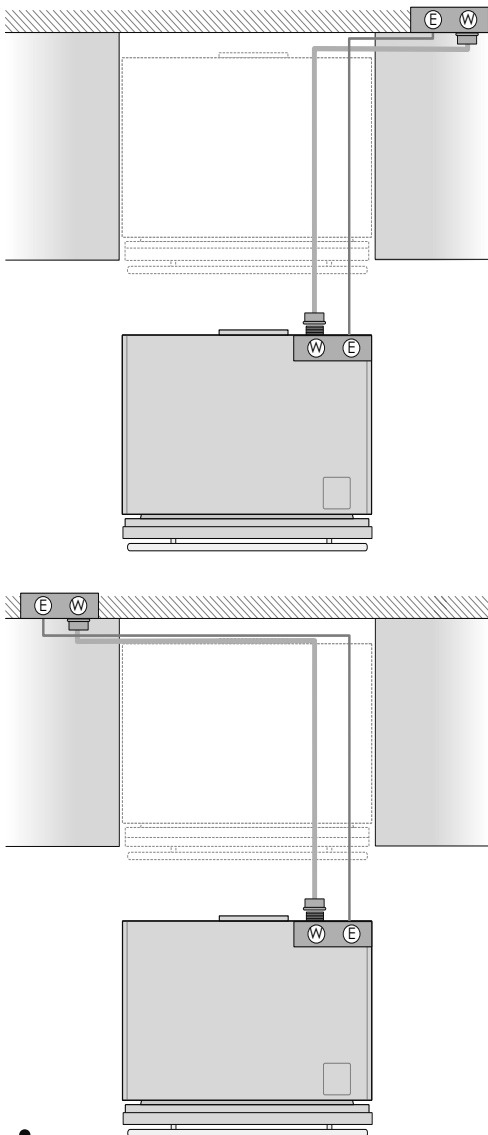


**Transporter l'appareil en position verticale.
Éviter de manière absolue le transport sur la
partie frontale.**

Faire très attention afin d'éviter tout dommage au sol. Les sols particulièrement délicats doivent être protégés avec des panneaux de faésite, compensé ou autre matériau adéquat.

Série: tous

Raccordements électrique et hydraulique



Les appareils sont livrés de l'usine pour le fonctionnement à 230V AC - 50Hz (Europe, Royaume Uni et autres Pays) ou 115V AC - 60Hz (Etats-Unis et Canada).

N'utiliser ni rallonges ni adapteurs multiples pour le branchement. Un câble d'alimentation avec fiche équipé d'un contact de terre sont fournis pour la connexion à une prise de 16A (Europe, Royaume Uni et autres Pays) ou de 15A (Etats-Unis et Canada). Un disjoncteur doit également être installé et doit être facilement accessible afin de mettre hors tension l'appareil avant d'effectuer toute installation ou maintenance.

Pour le raccordement hydraulique (pour les appareils équipés de fabricant de glace) il faut prévoir un robinet avec raccord mâle de 3/4", facilement accessible même lorsque l'appareil est installé.

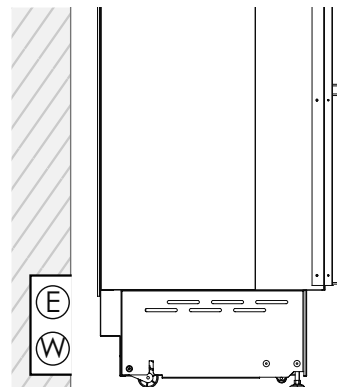
Pour le raccordement au robinet, utiliser exclusivement le tuyau compris dans le Kit Utilisateur fourni avec l'appareil.

L'appareil doit être raccordé au réseau d'eau potable, en tenant compte des dispositions en vigueur dans le pays où l'appareil est installé et en ayant soin d'installer la cartouche du filtre à eau, fournie avec l'appareil, en suivant les instructions jointes.

N'utiliser ni rallonges ni adapteurs multiples pour le branchement.

Raccordements électrique et hydraulique derrière l'unité

Série Integrated



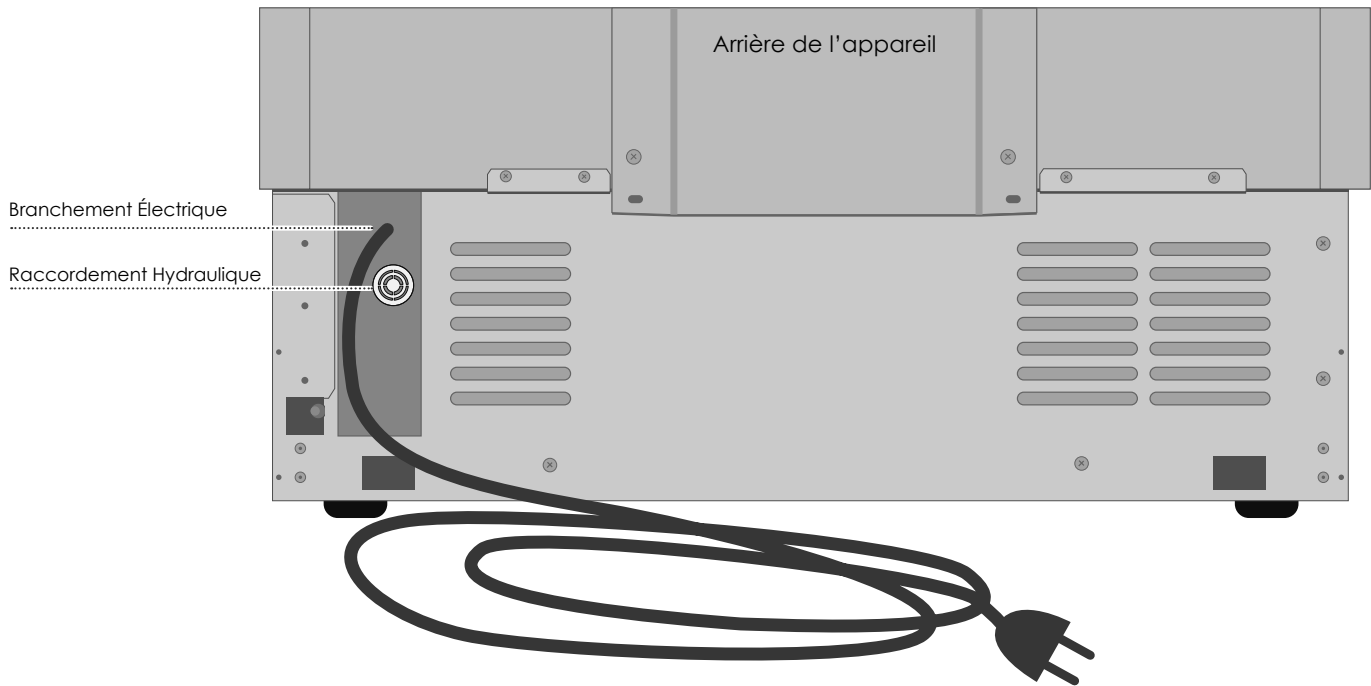
Le filtre ne peut pas rendre potable de l'eau qui n'est pas destinée à la consommation alimentaire.




Ne pas utiliser de réductions ou de rallonges.

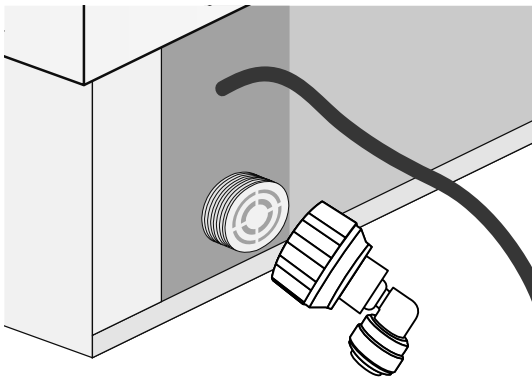


S'il faut fermer le robinet général, désactiver d'abord l'Ice Maker (☞) à l'aide du Menu Access (faire référence au Manuel d'utilisation).



Intervenir de la manière suivante:

- Dérouler le câble électrique et le brancher directement à la prise murale.
- Contrôler que l'appareil soit en stand-by et que les voyants soient éteints; dans le cas contraire, appuyer sur la touche Unit  pour éteindre l'appareil.
- Raccorder le tuyau de l'eau au réfrigérateur dans la zone arrière ①.
- Raccorder le tuyau au robinet en utilisant les garnitures comprises à l'intérieur du Kit Utilisateur ②.



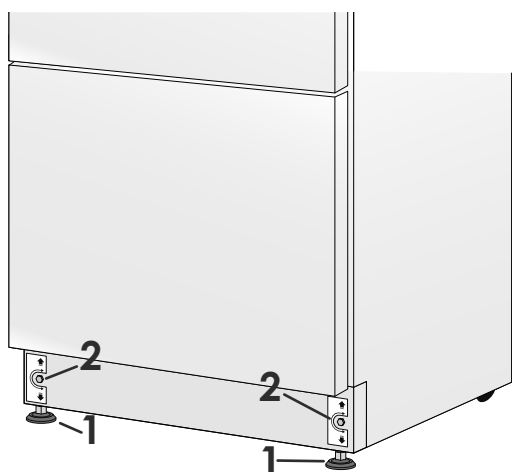
Série: tous

Mise à niveau

Mettre à niveau l'appareil en réglant les pieds et les roues arrière à la base de l'appareil.

Intervenir de la manière suivante:

- Après avoir enlevé le socle (ou grille) inférieur (il est fixé par des aimants), régler l'hauteur des pieds de mise à niveau ① en utilisant une clé ouverte de 17 mm (3/4").
- Ensuite régler l'hauteur des roues arrière en tournant les boulons de réglage ② dans le sens horaire ou anti-horaire comme nécessaire.
- Remonter le socle (ou grille) inférieur ou la grille.



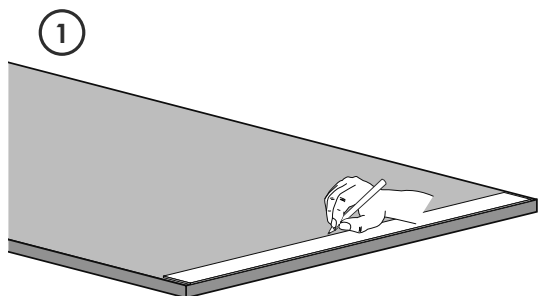
Préparation des panneaux décoratifs pour la porte et Grands bacs

Les dimensions des panneaux sont indiquées dans le tableau et sur les dessins reportés ci-dessous.

Selon les exigences d'alignement avec d'autres meubles de la cuisine, le panneau de la porte du réfrigérateur peut être plus haut par rapport à la ligne supérieure de la porte et le panneau inférieur peut être plus bas par rapport à la ligne inférieure du grand bac.

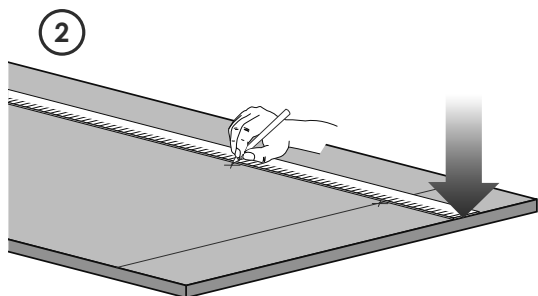
Les panneaux sont montés moyennant des brides spéciales qui s'accrochent aux dispositifs de fixation réglables déjà prévus sur porte et grand bac et moyennant des équerres qui bloquent et règlent verticalement le panneau.

Brides, équerres et vis de fixation correspondantes sont fournies avec l'appareil et sont appliquées au panneau en suivant le schéma de perçage reporté ci-dessous ou en utilisant le gabarit de perçage prévu à cet effet et fourni.



Intervenir de la manière suivante:

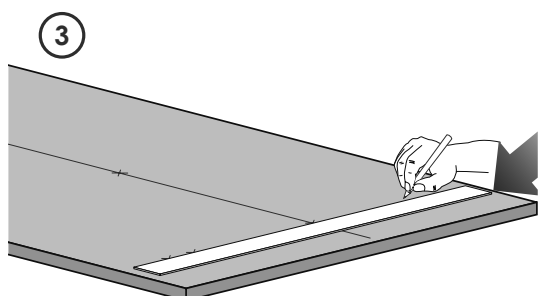
Pour appliquer les brides aux panneaux, procéder de la manière suivante. Il est recommandé de monter les équerres avant de monter la poignée.



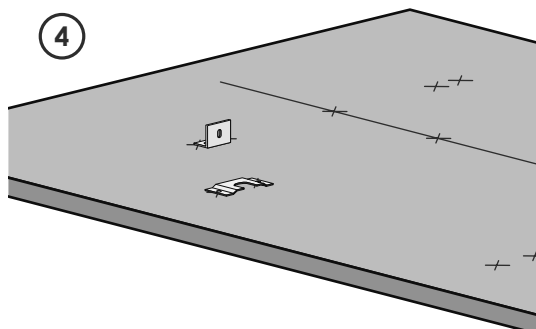
Panneau de la porte

- Tracer une ligne qui divise verticalement le panneau en deux parties égales ①.

- Partant du bas du panneau, marquer la hauteur à laquelle pratiquer les trous (pour la distance des trous, voir les pages 14-17) ②.

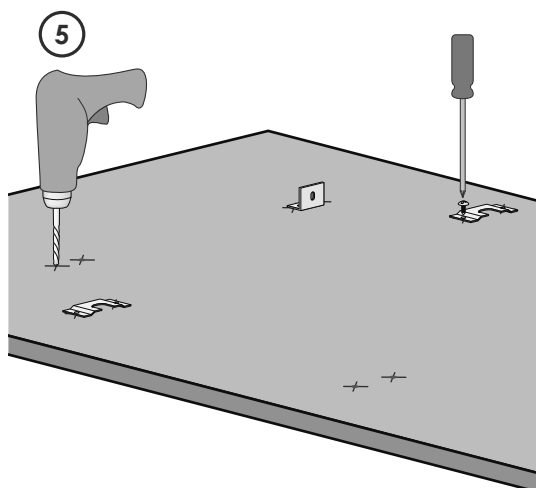


- Suivre les données du tableau correspondant au modèle choisi, marquer d'abord le trou le plus externe et puis le plus interne ③.



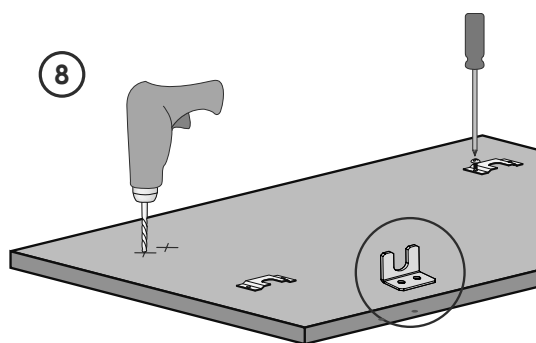
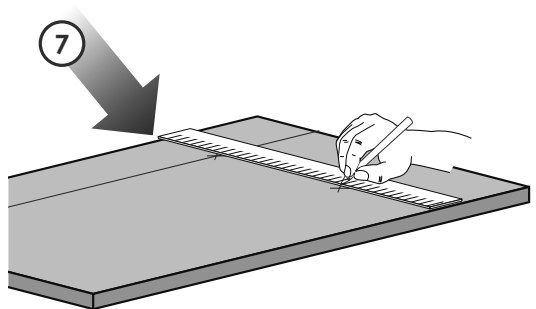
■ Vérifier la position des trous en appuyant les équerres sur les marques (4) puis pratiquer les trous en faisant attention à l'épaisseur du panneau (5).

■ Visser les équerres (6).

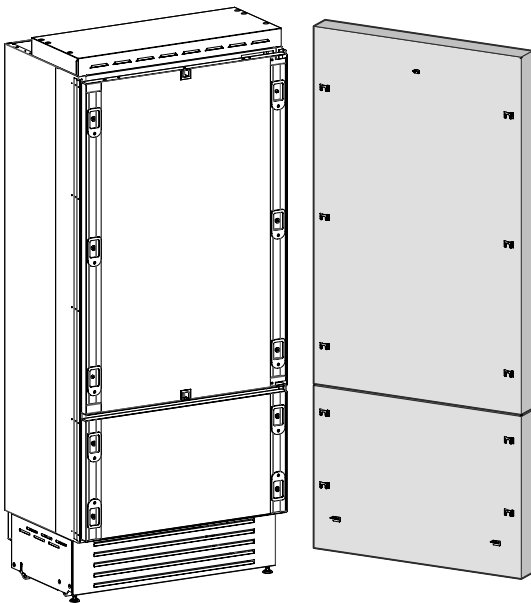


Panneau du grand bac

■ Pour le montage du panneau du grand bac, faire référence au montage du panneau de la porte, avec la différence que les mesures doivent être prises en partant du côté supérieur du panneau et non pas du côté inférieur comme dans le cas de la porte (7) et la bride est tournée de manière spéculaire à celle de la porte (8).

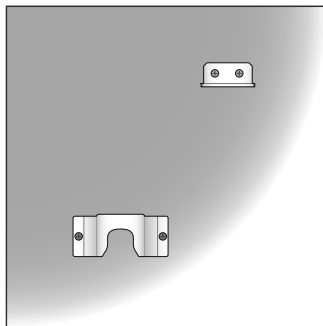


Préparation des panneaux décoratifs pour Réfrigérateur avec un Grand bac

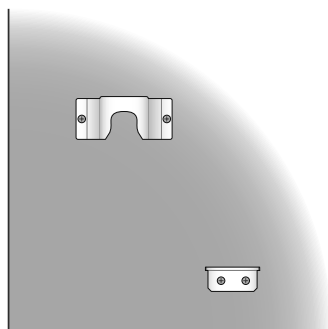


	Série 36	Série 30
A	897 (35 1/4")	747 (29 3/8")
B	417 (16 3/8")	342 (13 1/2")
C	354.5 (14")	279.5 (11")

Note: Toutes les mesures de placement du support latéraux vont à la ligne de centre du trou de support extérieur

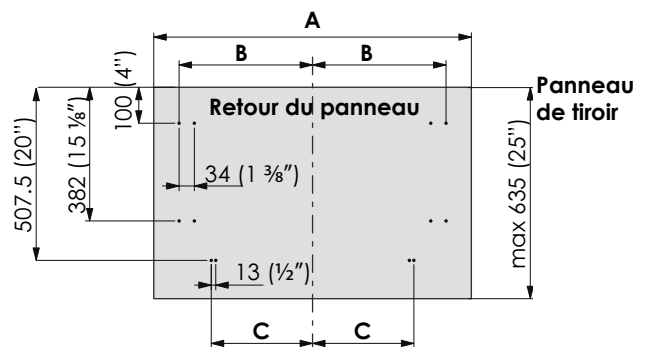
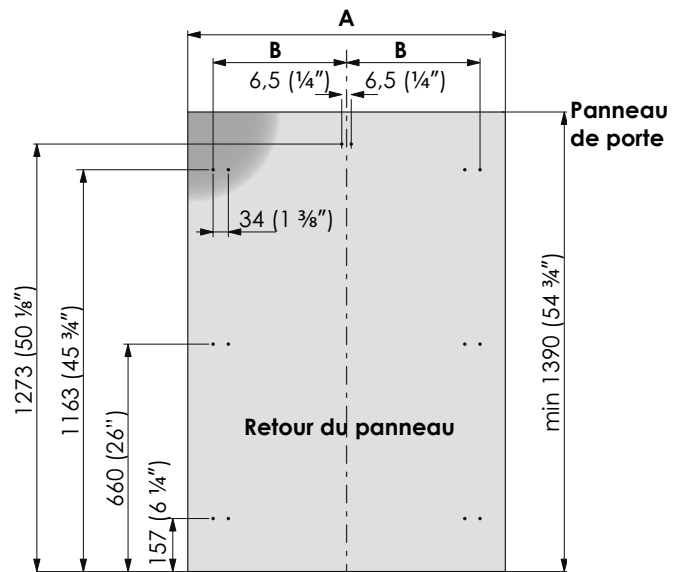


Support de réglage vertical de la porte supérieure. Noter l'orientation.



Support de réglage vertical pour le tiroir inférieur. Noter l'orientation.

Positionnement des trous



Série: Integrated (BI)

Dimensions des panneaux

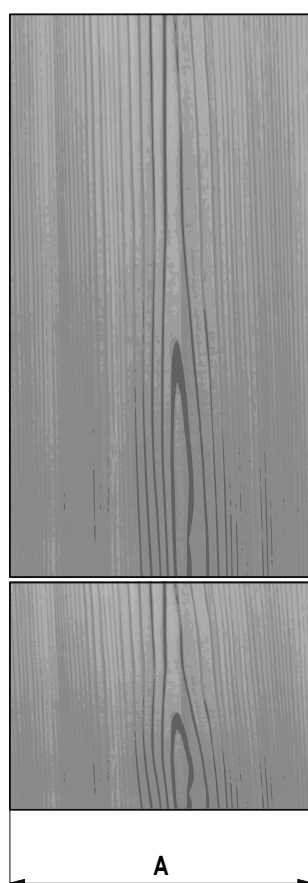
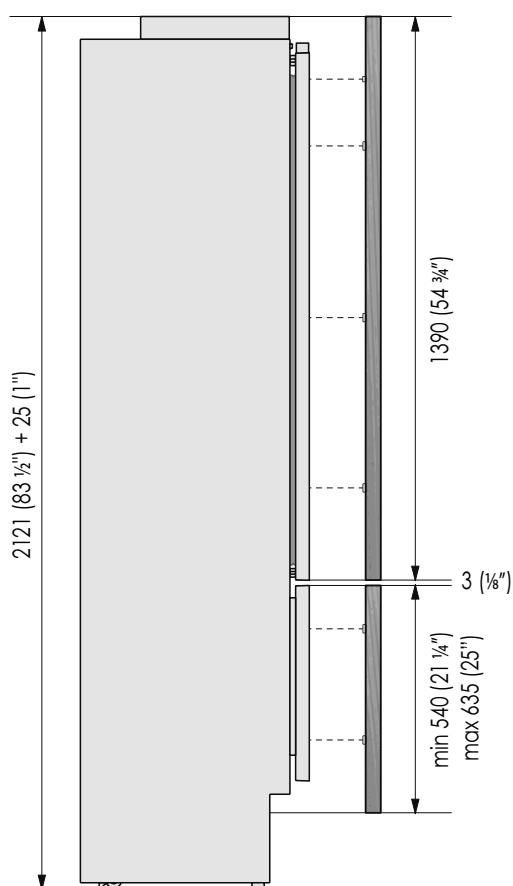
Il est possible d'utiliser des panneaux avec des épaisseurs allant entre 18 mm (3/4 in) et 28 mm (1 1/8 in).

Les panneaux de porte avec un poids max de 23 kg (51 lb) et panneaux de grand bac avec poids max de 11 kg (25 lb)

Excéder ces poids pourrait annuler la garantie de tous les problèmes de services qui peuvent être attribués à des panneaux en surpoids.

Le mécanisme de charnière sur les appareils est considéré comme `zéro dégagement`. Les largeurs de portes et de tiroirs spécifiées ci-dessous supposent la largeur de niche minimum est utilisé et une de 3,5 mm (1/8 ") révèlent l'on souhaite autour des panneaux. Ajuster les dimensions de votre écran en fonction de vos propres critères de conception compte tenu de la largeur de votre créneau et votre révèlent. Jeu minimum / écart ne doit pas être inférieure à 1,5 mm (1/16 ").

Séries	Largeur de la porte et de tiroir	Largeur de l'encastrement
BI36	897 (35 1/4")	900 (35 1/2")
BI30	747 (29 3/8")	750 (29 5/8")



Exemples:

84" hauteur de l'encastrement

36" largeur de l'encastrement

4" hauteur de plinthe

1/8" distance désirée autour

Door panel:

Largeur: 35-3/4"

Hauteur: 54-3/4"

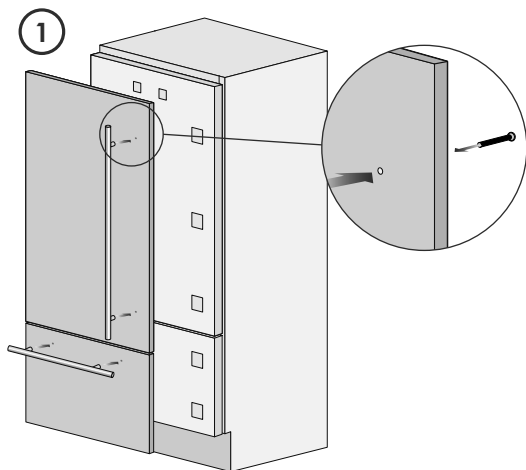
Drawer panel:

Largeur: 35-3/4"

Hauteur: 84"-1/8"-54-3/4"-1/8"-4"=25"

If you want a 6" toe kick height then your bottom drawer panel height would be 23"

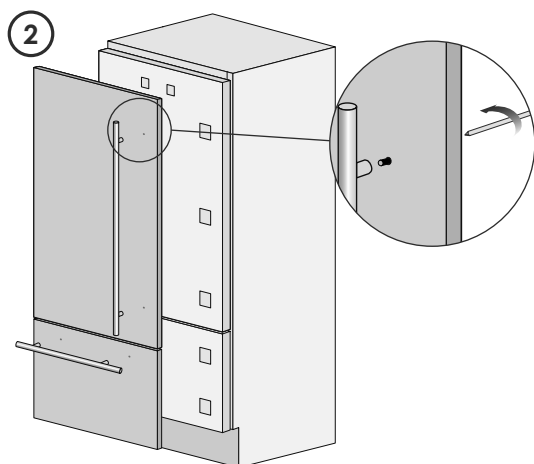
Montage des poignées: Sèrie Integrated (BI)



Les poignées doivent être montées sur le panneau décoratif de la porte et du grand bac avant que les panneaux ne soient fixés au réfrigérateur.

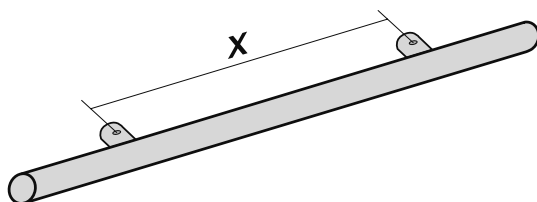
Intervenir de la manière suivante:

- Après avoir pratiqué deux trous de 5 mm (1/4") sur le côté arrière des panneaux, insérer les vis fournies à la distance indiquée sur le tableau, reportée ci-dessous, l'une de l'autre. Pour centrer la poignée horizontale (code HV) au centre de la porte, diviser en deux la hauteur du panneau et pratiquer un trou à -45 cm (-17 3/4") et un autre à +45 cm (+17 3/4") ①.



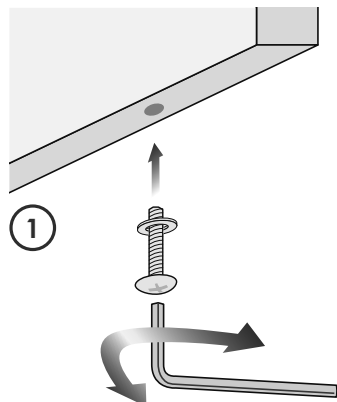
- Positionner la poignée au niveau du trou sur le côté avant du panneau; insérer par l'arrière du panneau la vis fournie, à travers le trou, et la visser à la poignée ②.

Utiliser la même procédure pour le montage des poignées horizontales sur les grands bacs. Pour la mesure de l'entraxe, faire référence au tableau joint.



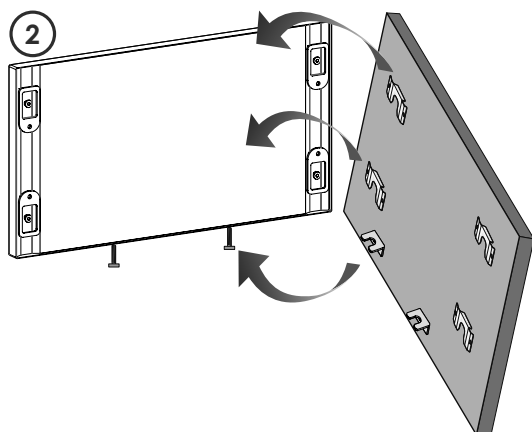
Longueur A	900 mm (35 1/2")	480 mm (18 7/8")	490 mm (19 1/4")
-------------------	---------------------	---------------------	---------------------

Fixation des panneaux à la porte et au Grand bac: Sèrie Integrated



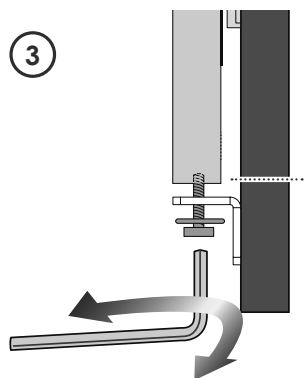
Après avoir appliqué les pattes de fixation et les équerres aux panneaux, commencer l'installation par le tiroir du bas.

Intervenir de la manière suivante:

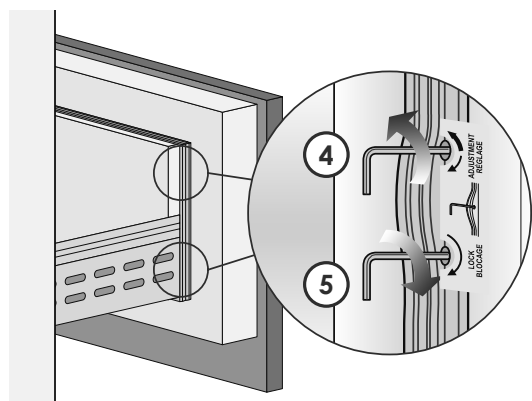


- Serrer les vis que partiellement aux fixations inférieures ①.

- Fixer le panneau aux support du tiroir à partir des crans de la partie inférieure de réglage ②



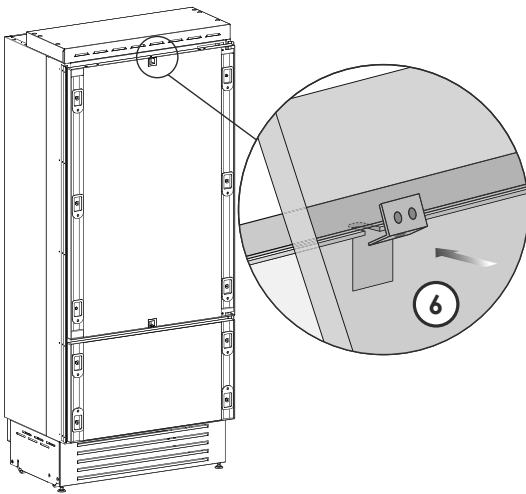
- À ce point il est possible de régler la hauteur du panneau avec les crans intérieurs pour s'aligner, ③ en serrant ou desserrant la vis. En tenant la vis un peu desserrée, déplacer à droite ou à gauche le panneau pour le centrer au panneau de la porte ou au reste des meubles de la cuisine.



- Alignement en profondeur en travaillant de l'intérieur du tiroir et après avoir soulevé le joint magnétique, rapprocher ou éloigner le panneau du tiroir à travers les trous ④ puis fixer le panneau toujours à travers les trous ⑤.

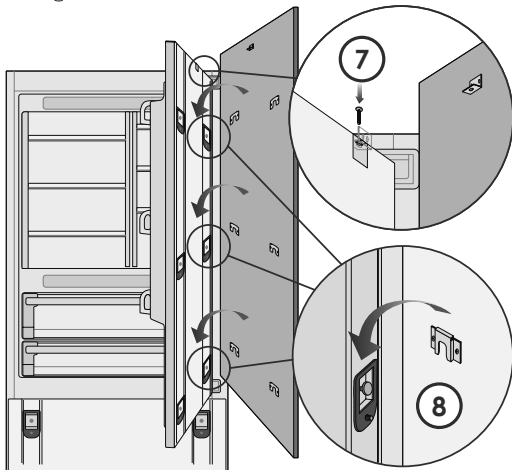
i

Une fois le panneau avant a été réglé, vérifiez que le joint a été repositionné correctement pour assurer la porte / tiroir ferment correctement et éviter les erreurs de fonctionnement de l'unité.

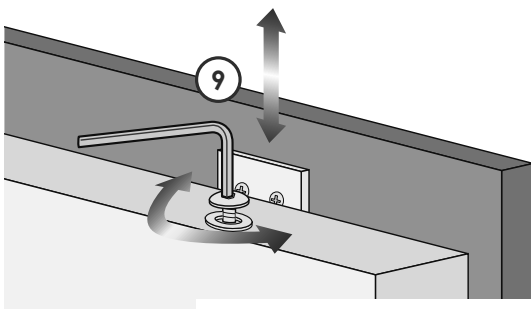


■ Accrocher le panneau aux dispositifs de fixation en insérant dans les crans d'alignement supérieurs (6).

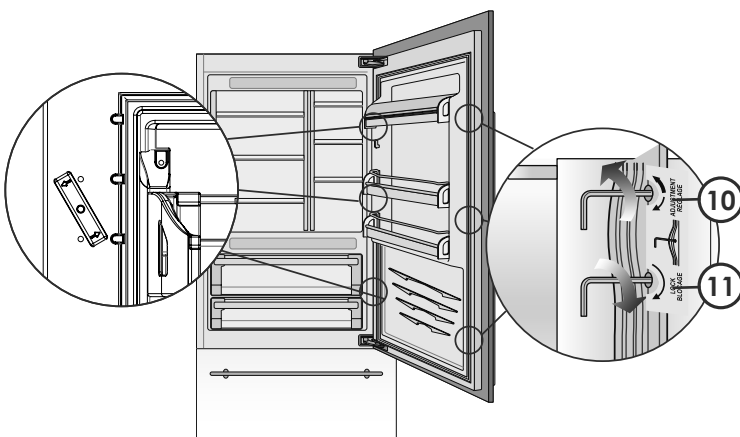
■ Il est possible d'ajuster l'alignement du panneau par rapport aux meubles adjacents à l'aide des pattes et des équerres d'alignement (7) et (8).



■ Alignement vertical: soulever ou abaisser le panneau (9) en vissant ou en dévissant la vis à l'équerre.



■ Alignement en profondeur en travaillant de l'intérieur de la porte à après avoir soulevé le joint magnétique, rapprocher ou éloigner le panneau à sa place toujours à travers les trous (10) puis fixer le panneau à sa place toujours à travers les trous (11).



i

Une fois le panneau avant a été réglé, vérifiez que le joint a été repositionné correctement pour assurer la porte / tiroir ferment correctement et éviter les erreurs de fonctionnement de l'unité.

Série: tous



Montage dans une armoire de cette hauteur exige que l'arrière de l'armoire de ventilation par le haut. Sinon, un 2" supplémentaires de hauteur de l'armoire est requis pour une ventilation adéquate. Hauteur du panneau latéral personnalisé peut être plus élevé que nécessaire.

Installation dans la niche

Encastrement appareil unique

Des profils en aluminium peuvent être utilisés pour fermer les espaces entre l'appareil et les meubles adjacents ou un autre appareil juxtaposé à celui-ci.

Intervenir de la manière suivante:

- Pousser l'appareil dans la niche d'installation ①.

- Si l'appareil doit être installé dans une niche ou à l'intérieur d'une structure fermée, il sera nécessaire de prévoir une cheminée de ventilation à l'arrière de la niche pour garantir une ventilation adéquate. Un écart de 5 mm (1/4") est suffisant pour éviter tout surchauffement. Assemblez toujours les panneaux frontaux à la porte et aux tiroirs avant de placer l'appareil dans sa position définitive dans la niche ou la structure.

- Vérifier que les pieds et les roues arrière soient à niveau avant d'encastrer l'appareil.

- Fixer l'appareil aux meubles adjacents en vissant à ces derniers les deux profils latéraux, déjà montés sur l'appareil ②. Pour effectuer facilement l'opération, garder la porte et le grand bac ouverts.

- Monter sur les profils les corniches de couverture, en les insérant latéralement ③ et puis en poussant avec force jusqu'au "clic".

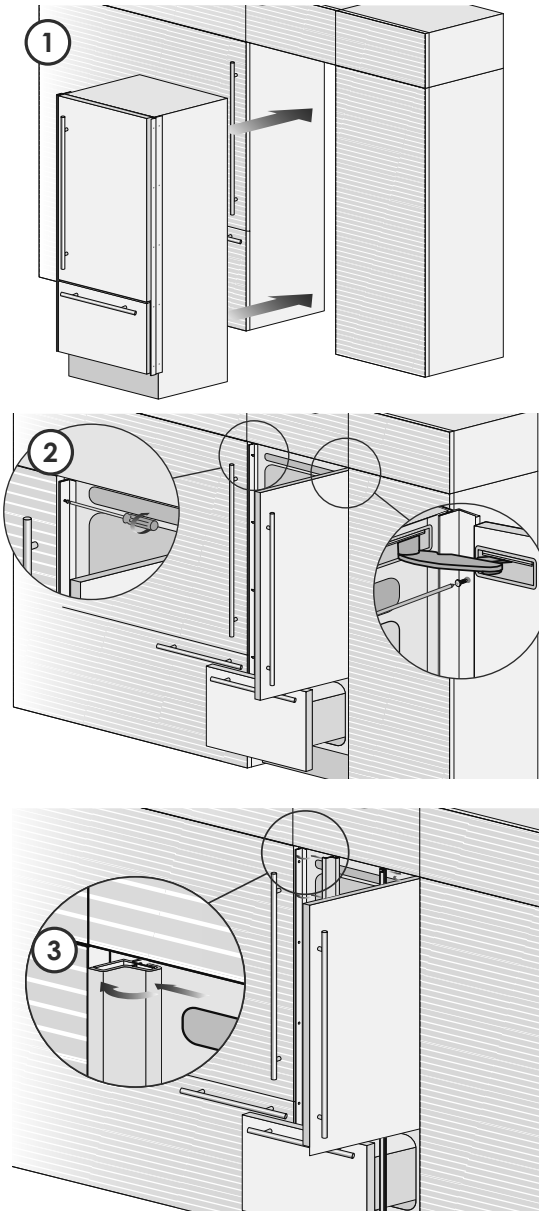
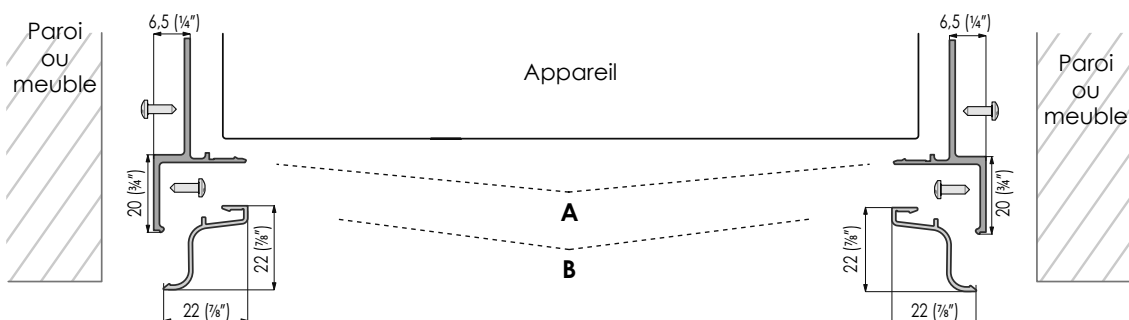


Schéma de montage profils latéraux



A Profil de raccordement

B Corniche de couverture en aluminium

Encastrement combinaison

Accessoires nécessaires à commander séparément:

- Kit raccordement central (KCCIT/KCCH)

Des profils en aluminium peuvent être utilisés pour fermer les espaces entre l'appareil et les meubles adjacents ou un autre appareil juxtaposé à celui-ci.

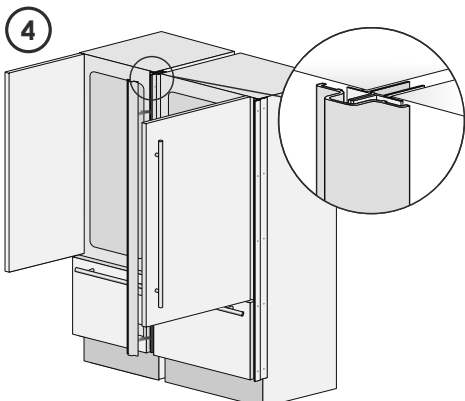
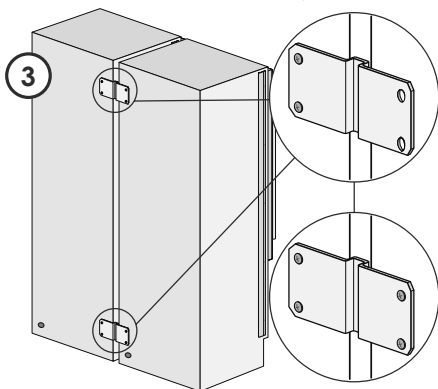
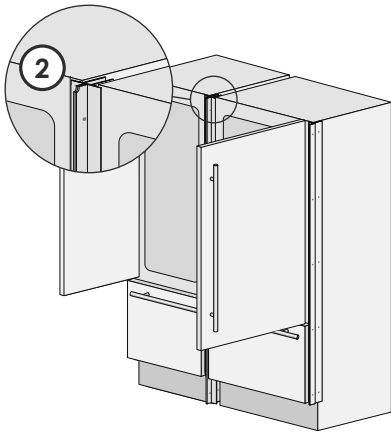
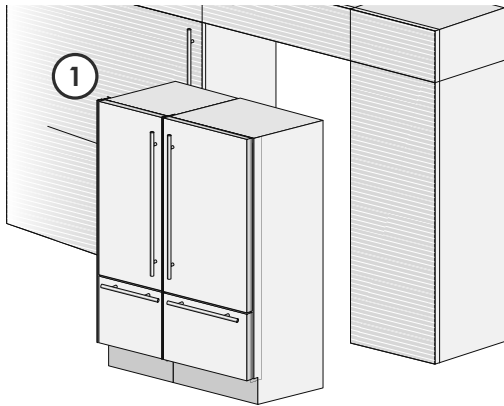
Intervenir de la manière suivante:

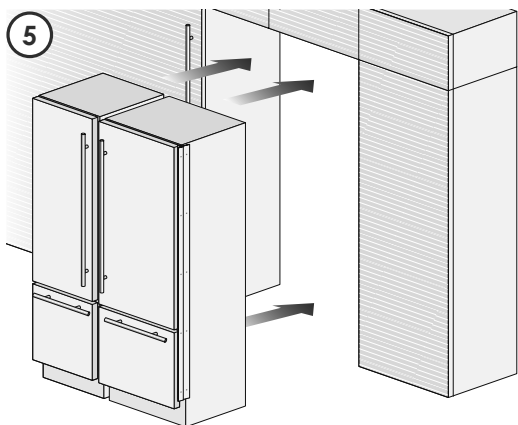
- Positionner les appareils devant la niche en laissant un espace suffisant pour intervenir sur l'arrière des appareils ①.

- Passer à l'arrière des appareils pour le montage des équerres de connexion. Fixer un côté de l'équerre supérieure et inférieure, d'abord sur un des deux appareils et ensuite sur l'autre ②.

- Visser entre eux les deux profils avec les rivets fournis ③. Fixer l'équerre supérieure ④ et l'inférieure ⑤ d'abord sur un appareil et puis sur l'autre. Pour effectuer facilement l'opération, garder la porte et le grand bac ouverts.

- Compléter en montant la corniche de couverture centrale en poussant avec force jusqu'au "clic".



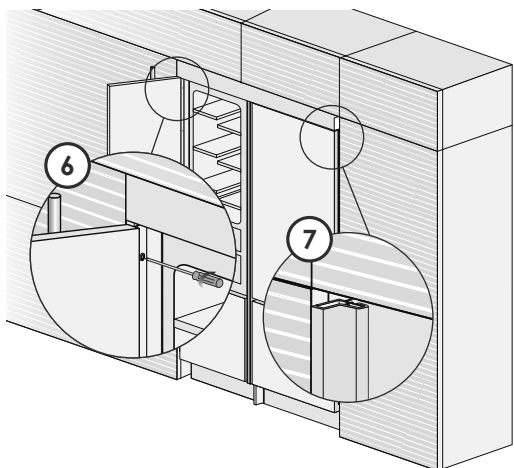


- Une fois complétés les passages ci-dessus, poussez les appareils dans leur position définitive (6).

Il sera nécessaire de prévoir une cheminée de ventilation à l'arrière de la niche pour garantir une ventilation adéquate. Un écart de 5 mm est suffisant pour éviter tout surchauffement. Assemblez toujours les panneaux frontaux à la porte et aux tiroirs avant de placer l'appareil dans sa position définitive dans la niche ou la structure.

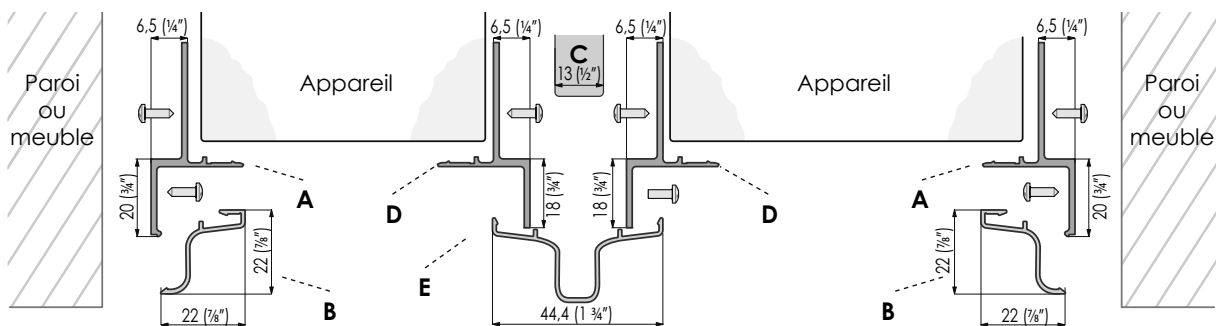
- Vérifier que les pieds et les roues arrière soient à niveau avant d'encastrer l'appareil.

- Fixer chaque appareil aux meubles adjacents en vissant à ces derniers les profils latéraux, déjà montés sur les appareils (7). Pour effectuer facilement l'opération, garder la porte et le grand bac ouverts.



- Monter sur les profils les corniches de couverture, en les insérant latéralement (8) et puis en poussant avec force jusqu'au "clic" (comme pour l'encastrement de l'appareil unique).

Schéma montage profils centraux et latéraux



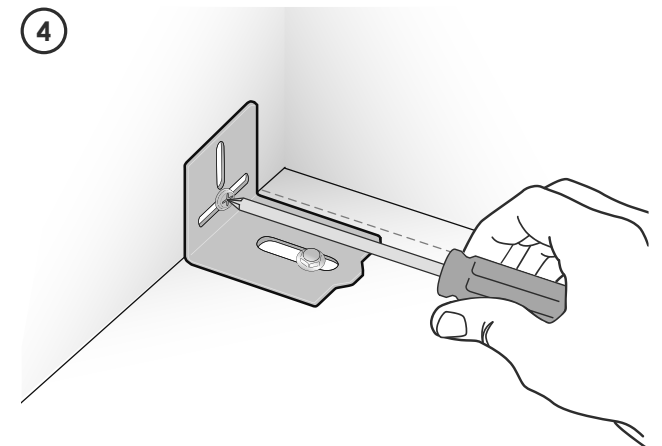
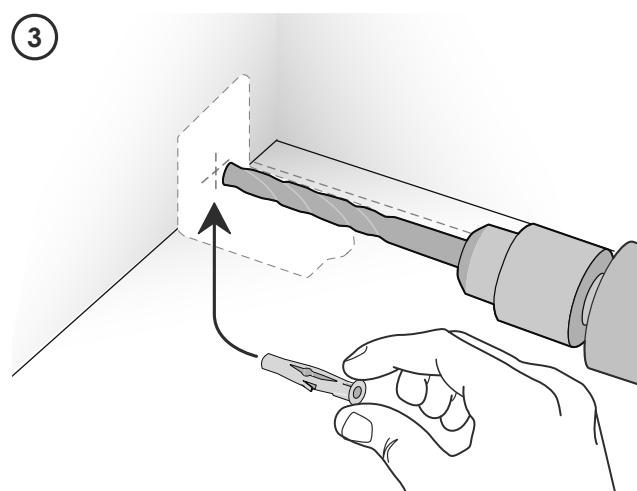
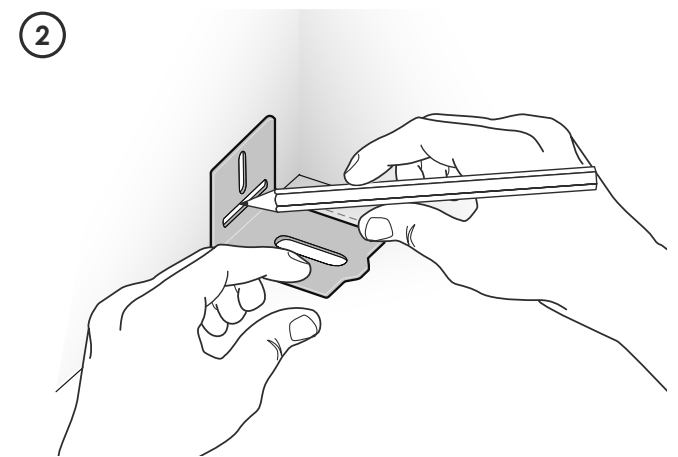
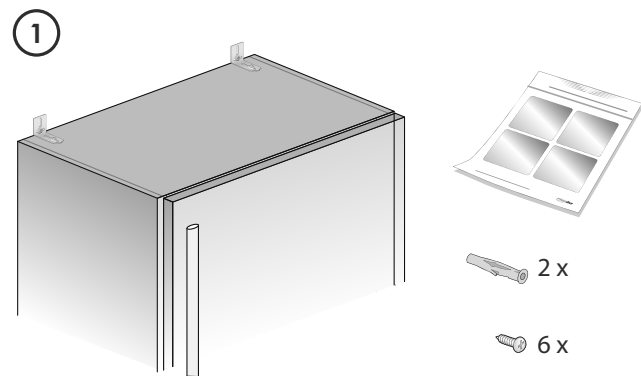
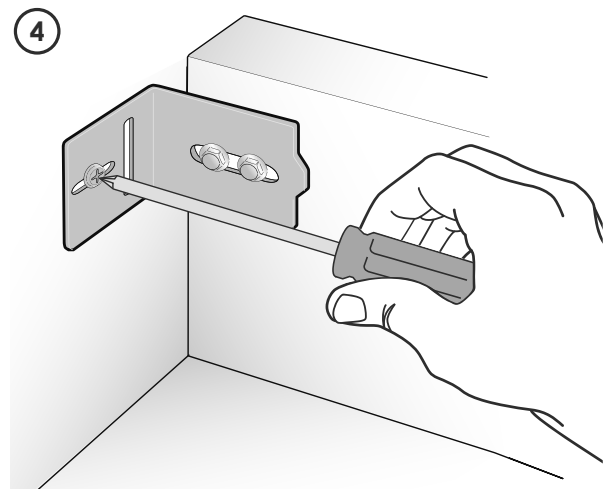
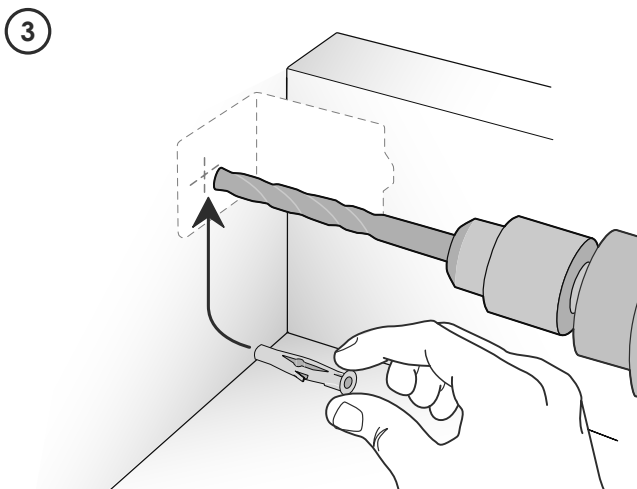
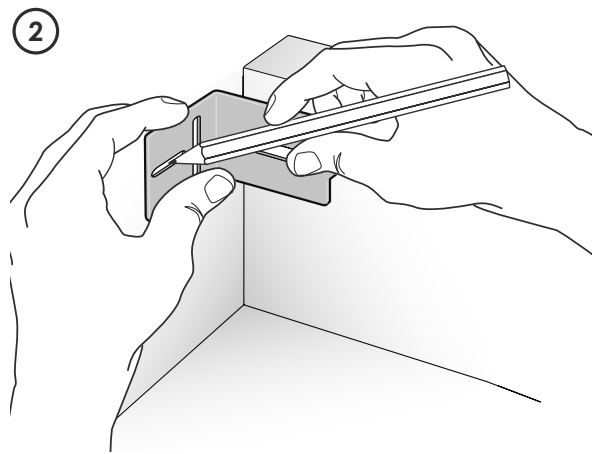
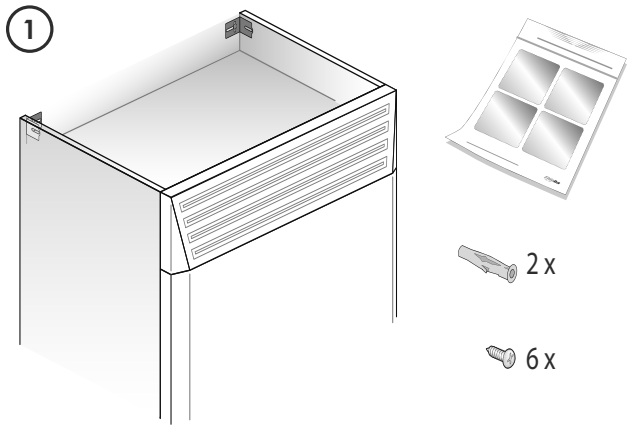
A Profil de raccordement

B Corniche de couverture en aluminium

D Profil de raccordement centrale

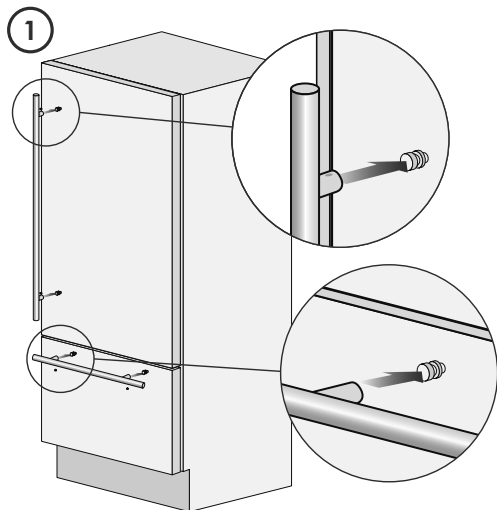
E Corniche centrale en aluminium de couverture

Anti tipping kit installation



Série: Inox Integrated (BKI)

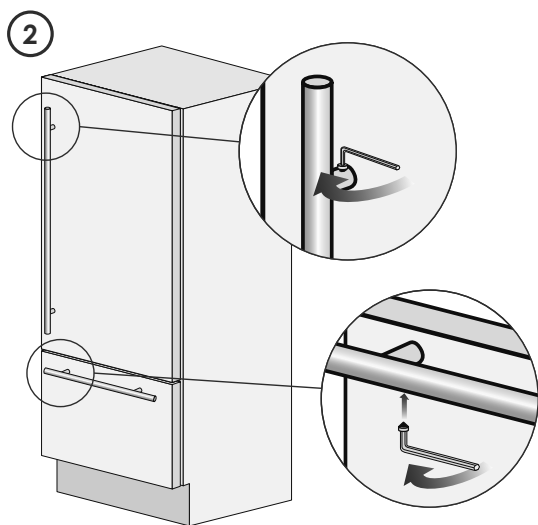
Montage des poignées sur le devant inoxydable



Pour fixer les poignées à la porte et au grand bac, intervenir comme indiqué.

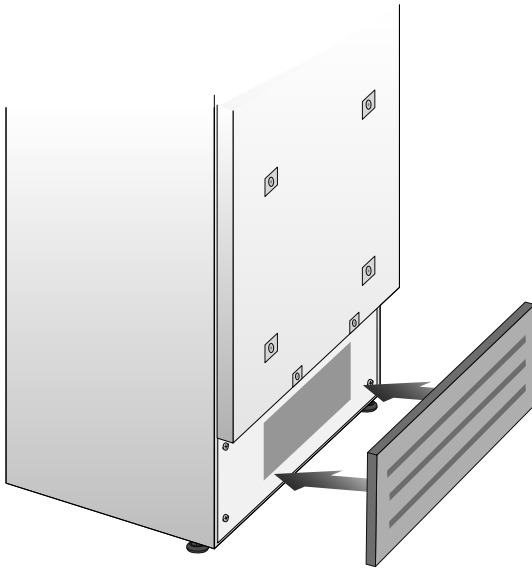
Intervenir de la manière suivante:

- Insérer les écarteurs sur les deux goujons présents sur la porte et sur le grand bac (1).
- Visser les vis à six pans présentes dans la poignée (2).




Les vis de fixation seront serrées à fond, en utilisant une clé à six pans de 2,5 mm (1/8").

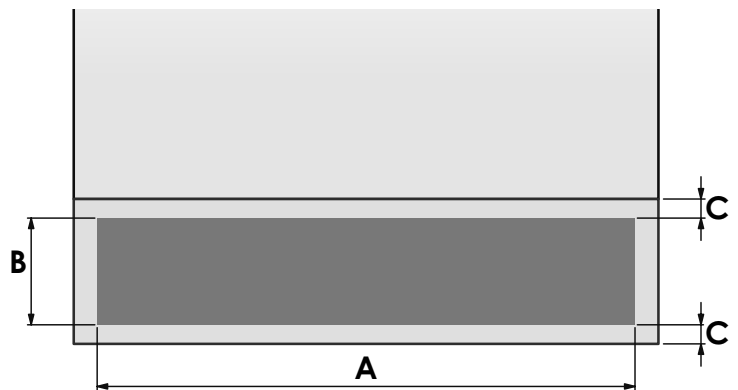
Circulation de l'air



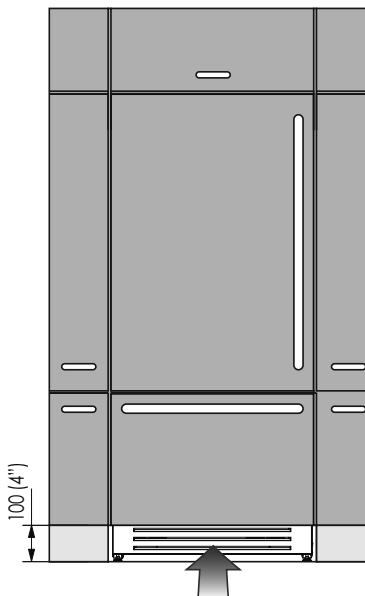
Un système à air forcé assure la ventilation à travers la grille positionnée dans la partie inférieure de l'appareil. Si l'aménagement de la cuisine prévoit une plinthe, cette dernière doit être trouée afin de garder un niveau d'aération satisfaisant, comme expliqué dans le dessin. Les trous peuvent être de toute sorte de forme et dimension, à condition que la surface totale de la partie trouée est égale au 50% de la surface de la plinthe.

Dans ce cas, pour permettre une meilleure aération, il est préférable de retirer la grille frontale de l'ensemble. La grille est accrochée à l'ensemble avec des plaques magnétiques et peut être facilement retirée par l'utilisateur final, afin d'être nettoyée régulièrement de la poussière.

	Série 36	Série 30
A	860 (33 7/8")	740 (29 1/8")
B	> 100 (4")	
C	10 (3/8")	
	50%	



Français



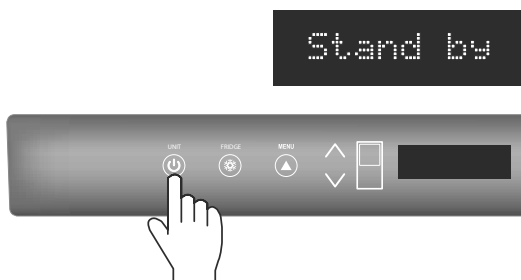
La grille de ventilation ne doit pas être bloqué ou couvert d'aucune manière. Il doit aussi être dépoussiéré / nettoyés régulièrement.

Série: tous

Contrôle de fin d'installation mise en marche

- Contrôler que les pieds sont correctement installés.
- Contrôler que le raccordement à l'installation hydrique ne présente pas de fuites d'eau et que le robinet de fermeture est facilement accessible.
- Contrôler que le branchement électrique soit correctement réalisé et que la fiche et l'interrupteur omnipolaire dédié soient facilement accessibles.
- Contrôler le parfait alignement de l'appareil avec les meubles adjacents.
- Contrôler que chaque ruban adhésif ou protection temporaire interne ou externe soit éliminé.
- Contrôler la parfaite étanchéité des portes et le coulissement des bacs et des clayettes.

Mise en marche

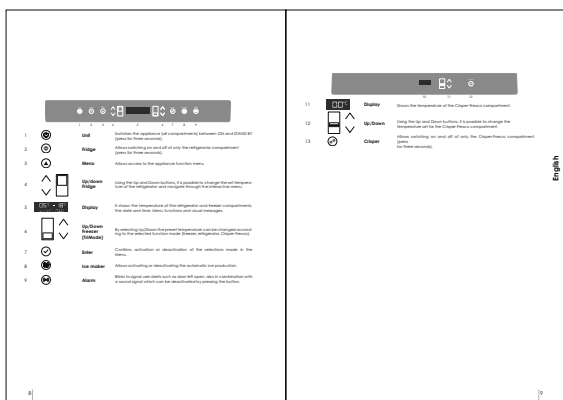


■ Pour mettre en marche l'appareil, brancher la fiche au réseau électrique: lorsque la porte est ouverte, apparaît sur le panneau de commande le message "Stand-by", alors que toutes les touches du panneau sont éteintes.

■ Pour mettre en marche tous les compartiments de l'appareil, appuyer pendant 3 secondes sur la touche Unit . Le message "initial test" apparaîtra pendant environ 2 minutes, ensuite les compresseurs seront actifs jusqu'à attendre la température prévue en usine par défaut. Veuillez noter que cette opération pourrait durer plusieurs heures.

Si l'appareil est fourni avec un appareil à glaçons avant de le mettre en marche pour la première fois, veuillez vous assurer que la cartouche du filtre pour l'eau a bien été installée et effectuez un remplissage du circuit hydraulique. Appuyez donc en même temps sur les touches Enter et Ice Maker . Après quelques minutes l'appareil à glaçons peut être activé en appuyant sur la touche Ice Maker .

■ Pour toute autre information concernant le fonctionnement de l'appareil, se référer au Mode d'emploi.



!

Si lors de la première mise en marche, n'apparaît pas le message Stand-by, mais apparaissent Fridge too warm, Fresco too warm, Freezer too warm ou signaux sonores, cela signifie que l'appareil a déjà commencé la procédure de refroidissement.

Dans ce cas désactiver les éventuels messages sonores en effleurant la touche Alarm, refermer la porte et attendre que les températures programmées soient atteintes.

!

Il faut laisser l'unité atteindre la température de fonctionnement vide et avec la porte et un tiroir fermé avant que les aliments sont stockés à l'intérieur.

