

BERTAZZONI

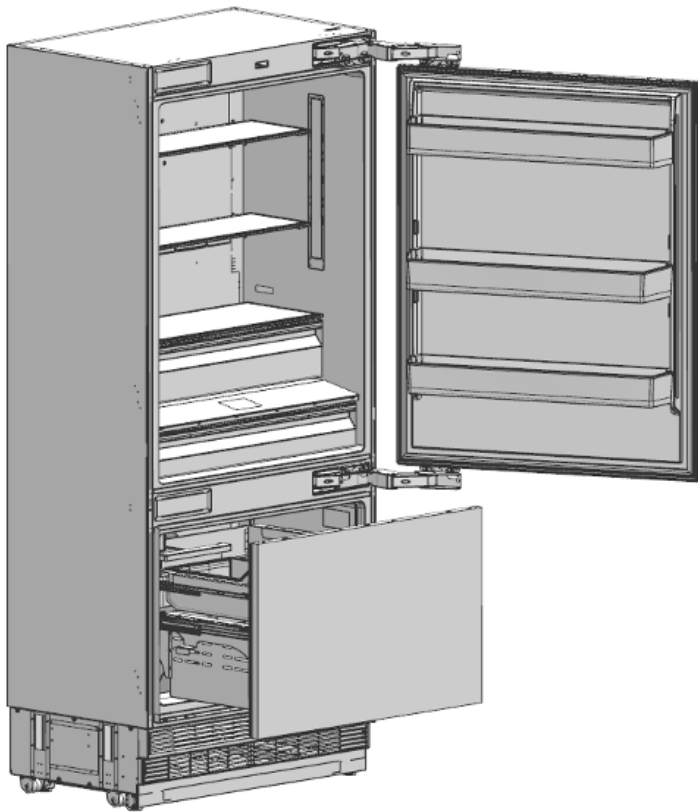
REFRIGERATOR
INSTALLATION MANUAL

EN

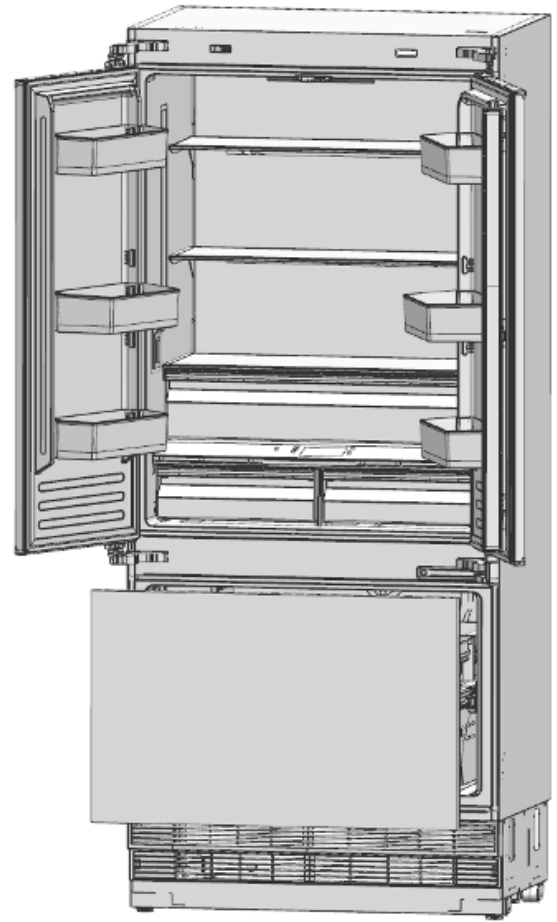


REF30BMB...N... Series
REF36BMB...N... Series
REF36FDB...N... Series





REF30BMB...N...
REF36BMB...N...



REF36FDB...N...

CONTENTS

| | |
|---|-----------|
| 1. IMPORTANT INFORMATION | 5 |
| 1.1 Symbols and Their Meanings | 5 |
| 1.2 Disposing of the packing materials | 5 |
| 1.3 Climate class..... | 6 |
| 1.4 Product weight | 6 |
| 1.5 Food Load Bearing Capacity of the Doors | 6 |
| 2. BEFORE INSTALLATION | 7 |
| 2.1 Installation location..... | 7 |
| 2.2 Cabinetry | 8 |
| 2.3 Ventilation | 8 |
| 2.4 Electrical Connection..... | 8 |
| 2.5 Water Connection (where applicable) | 8 |
| 2.6 Tool List | 8 |
| 2.7 Alternatives for Installation..... | 9 |
| 2.8 Preparation for Installation | 9 |
| 2.9 Location of the Electrical Wiring | 10 |
| 2.10 Location of the Water System | 11 |
| 2.11 Product dimensions | 12 |
| 2.12 Unpacking..... | 20 |
| 2.13 Removing the Connectors on the Side Wall of the Unit..... | 21 |
| 2.14 Removing the Installation Hardware from the Freezer Compartment..... | 22 |
| 2.15 Removing the Freezer Drawer..... | 23 |
| 2.16 Removing the Freezer Door | 23 |
| 2.17 Removing the Lower and Upper Ventilation Grill Covers..... | 24 |
| 3. INSTALLATION INSTRUCTIONS | 25 |
| 3.1 Before Installation | 25 |
| 3.2 Mounting the Anti-Tip Brackets..... | 25 |
| 3.3 Preparing the Water Hose and the Electrical Connection | 28 |
| 3.4 Installation in the cabinet..... | 28 |
| 3.5 Overlay Panel Installation and Preparation..... | 35 |
| 3.6 Hinge Adjustment and Reversing the Door Swing | 48 |

1.1 Symbols and Their Meanings

Symbols used in the installation manual are as follows.

**Note**

Important information or useful tips for use

**Warning**

Conditions that may damage the product or affect its operation

**Caution**

Situations entailing a serious risk of injury

1.2 Disposing of the packing materials

The packing materials have been designed to protect the product during transport.

The packing materials used for the product are not harmful to the environment when disposed of and they need to be recycled.

All plastic packing materials, bags, etc. must be disposed of safely and kept out of the reach of children.

Please return the packing materials to your dealer.

**WARNING:**

This installation manual is intended to aid installation teams. The User Manual provided with the product must also be taken into account.

You may be seriously injured and your product damaged if you ignore the warnings provided in this manual. Please read the following carefully.

**WARNING:****R600a Refrigerant**

This product contains R600a isobutane refrigerant, which is a very eco-friendly natural gas. However, it is also flammable. Please heed the warnings below:

- If the product has been transported horizontally, you must wait for a minimum of 4 hours before plugging it in.
- The following instructions must be

followed during installation:

- The dimensions of the installation area must be adequate.
- The dimensions, features and position of the object used to support and secure the product in said area must be suitable.
- Minimum clearances between product parts and surrounding structures must be adequate.
- Minimum dimensions and proper positioning of ventilation holes must be heeded.
- The product must be connected to a non-GFCI protected dedicated circuit, and there must be a suitable water line connection (for models with ice maker and water dispenser).
- The product must be able to be disconnected from the power supply after installation.
- The socket or fuse must be accessible, so as to be able to shut off power to the product.
- Extension cords and ungrounded (two-prong) adapters may not be used.

**CAUTION:**

You must wear protective gloves and eye protection when installing the product. You must also wear hearing protection when using a drill or similar tools.

**CAUTION:**

Make sure that the electrical circuit is suitable for the product.

**CAUTION:**

The product must be installed by a qualified technician according to the installation instructions.

**WARNING:**

The product may tip over, because it is quite heavy. Precautions must be taken to prevent this from occurring.

The product's doors must be kept closed until it reaches its destination; it must be transported in the manner described in the installation instructions.

1. IMPORTANT INFORMATION

1.3 Climate class

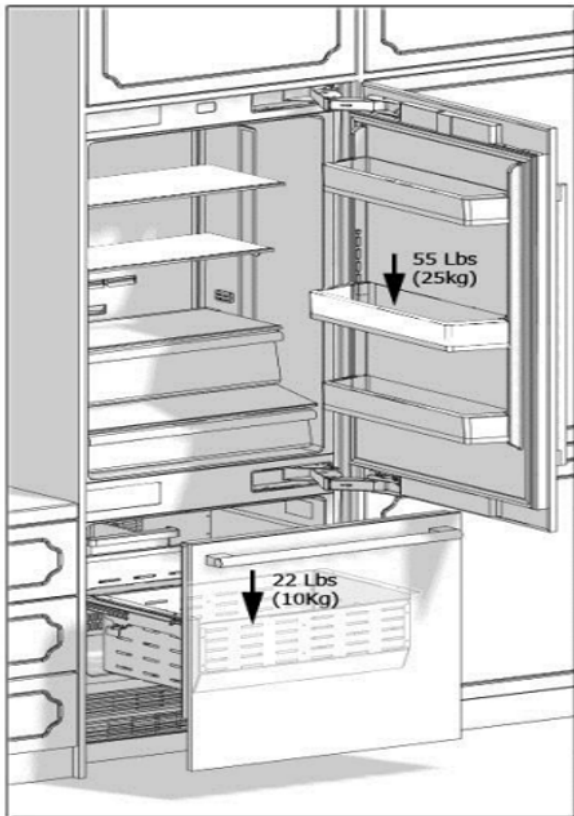
| Climate range | Ambient temperature of the room | This appliance has been designed to be used in certain specific climates (ambient temperatures ranges). It must not be used outside of these ranges. |
|-------------------------|--|--|
| SN (Extended temperate) | Between +50°F (10°C) and +90°F (32°C) | |
| N (Temperate) | Between +60°F (16°C) and +90°F (32°C) | |
| ST (Subtropical) | Between +60°F (16°C) and +100°F (38°C) | |
| T (Tropical) | Between +60°F (16°C) and +110°F (43°C) | |

1.4 Product weight

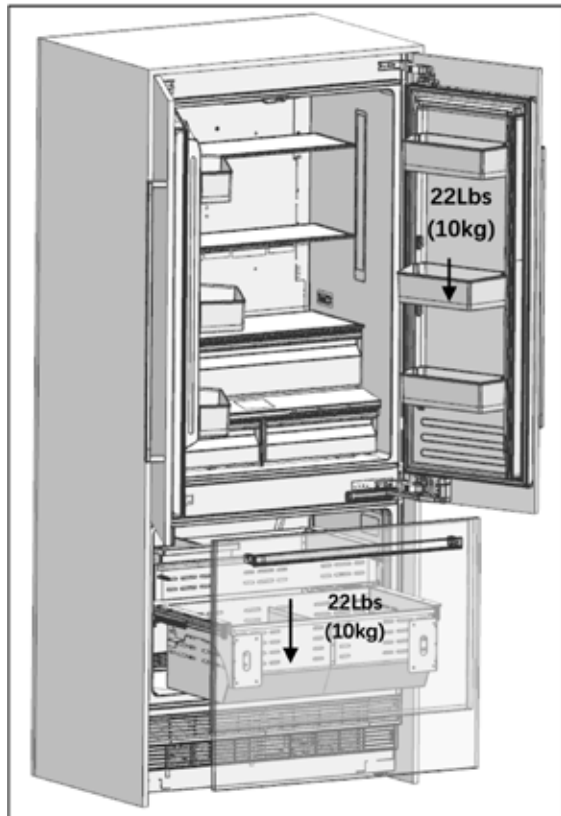
| Category | REF30BMBZPNV | REF30BMBPNB | REF36BMBZPNV | REF36FDBZPNV |
|----------------|-----------------|-----------------|-----------------|-----------------|
| Product weight | 342 lb (155 kg) | 326 lb (148 kg) | 373 lb (169 kg) | 355 lb (161 kg) |

1.5 Food Load Bearing Capacity of the Doors

| Max. load | REF30BMB...N... | REF36BMB...N... | REF36FDB...N... |
|----------------|-----------------|-----------------|-----------------|
| Fridge door | 55 lb (25 kg) | 55 lb (25 kg) | 22 lb (10 kg) |
| Freezer drawer | 22 lb (10 kg) | 22 lb (10 kg) | 22 lb (10 kg) |



REF30BMB...N...
REF36BMB...N...



REF36FDB...N...

2.1 Installation location

You must follow the instructions below:

- > The floor on which the product is to be installed must be capable of bearing 1,200 pounds (544 kg) minimum.
- > The kitchen floor and the bottom of the product must be equally level. Otherwise, problems may occur with the appliance's air flow.
- > There must be no obstructions at the rear and on the side walls of the product's installation location that would prevent its installation.
- > The electrical outlet must be in the correct place.
- > The dimensions of the cabinet where the appliance is to be installed must be in strict conformity with the dimensions provided in the manual.
- > Do not install the appliance adjacent to another fridge/freezer. Otherwise, condensation and damage may occur. (Please see "Dual-Fridge Cabinet Installation" for detailed information).
- > The level of the floor where the product is to be installed must be checked with a bubble level.
- > The installation location must not be exposed to direct sunlight and must be away from heat sources (ovens, radiators, etc.).
- > The ambient temperature must be between 50°F (10°C) and 110°F (43°C). Otherwise, malfunctions may occur when the appliance is running.
- > If it is not possible to avoid installing the product near a heat source, the minimum clearances provided below must be maintained between the appliance and the given source:
 - 1 1/4" (32 mm) from electric ranges or ovens
 - 12" (305 mm) from gas or fuel-powered kitchen ranges or ovens

Please heed the following rules:

- > The electrical outlet or panel must be easily accessible in case of an emergency; it must not be hidden behind the product.
- > Neither the plug nor the cable may touch the back surface of the appliance. Otherwise, it may be damaged by the appliance's vibrations.
- > Do not connect other equipment plugs behind this appliance.

If the humidity level is high where the appliance is being used, its exterior surfaces may become corroded.

To prevent corrosion, keep the installation room dry and well-cleaned.

To prevent the risk of electric shock:

- > Connect the plug to a grounded 3-prong outlet.
- > Do not remove plug's grounding prong.
- > Do not use adapters.
- > Do not use extension cords.



CAUTION:

Failure to follow these instructions may result in fire, electric shock or death. Connecting the appliance's grounding conductor in the wrong place may lead to electric shock. Please have the grounding checked by a qualified electrician or service technician if you have any doubt about the proper grounding of the appliance.

Installation, repairs and other procedures performed by unqualified persons may give rise to hazards. Before installing the appliance, make sure that the voltage, load and circuit current parameters on the data plate are in compliance with the power supply in your house.

The appliance is provided with a NEMA 5-15 P plug and a 3-prong power cord which is in the UL list and ready to be connected to a 120 V, 60 Hz power supply. Fuse is 15 A. The appliance must be connected to a 3-prong socket. The plug must be installed only by a licensed electrician.

If the electrical wiring or the electric power supply of the house requires alteration, the necessary procedures must be performed by a qualified electrician.



CAUTION:

Do not install your refrigerator:

- in an outdoor space,
- in a location with dripping water,
- in a location where the temperature is lower than 50°F (10°C).

2. BEFORE INSTALLATION

2.2 Cabinetry

Make sure that the cabinetry inside which you will install the appliance has been securely mounted in your kitchen.

Your cabinet must be properly secured to the floor and to the wall using appropriate mounting hardware.

For the best installation, clearances between the cabinet and the appliance must be in compliance with the measurements specified in the installation instructions.

The side walls must be free of obstructions and their surfaces must be flat. The minimum thickness of the side walls must be 5/8" (16 mm).

The minimum thickness of the door panels to be attached to the appliance must be 3/4" (19 mm).



CAUTION:

There is a stainless steel door and stainless kickplate option. Please consult your Authorized Service Provider.

2.3 Ventilation

Ventilation openings where the air enters and exits the unit must never be obstructed. The user is responsible for periodically cleaning off the dust and debris that can accumulate on the grill over time.

2.4 Electrical Connection

- > Never use an extension cord.
- > The electrical outlet must be grounded and checked by an authorized technician.
- > The positioning of the electrical wiring must comply with the measurements specified in the manual.



CAUTION:

RISK OF ELECTRIC SHOCK

Electrical grounding is necessary. This appliance is equipped with a three-prong plug to protect you against possible electric shocks.

- Do not remove the round grounding prong from the plug.
- Do not use two-prong grounding adapters.

- Do not use an extension cord to supply power to the product.



CAUTION:

Do not connect the grounding cable to the gas line. Please have the grounding checked by a qualified electrician if you are not sure about the grounding of the appliance. Do not install a fuse on the neutral line or on the grounding circuit.



WARNING:

Please wait for 3-6 hour before connecting the appliance to the power supply, in order to protect it against possible damage. This will allow the balance of the refrigerant and the lubricants in the system to be restored.

2.5 Water Connection (where applicable)

- > Water supply pressure must be within the range specified in the manual.
- > The location of the water line connection must comply with the area measurements specified in the manual.



Note:

A bypass plug is recommended for the water filtering system if a reverse osmosis system is used.

2.6 Tool List

The tools to be used when installing the product are as follows:



Cordless drill



Safety goggles



1/2" wrench



Hammer



Ladder



Ø 2.4 drill bit



Ø 8.0 drill bit



Box cutter



Safety gloves



Tape measure



Phillips-head bit



1/4" hex bit



Bubble level



Appliance dolly

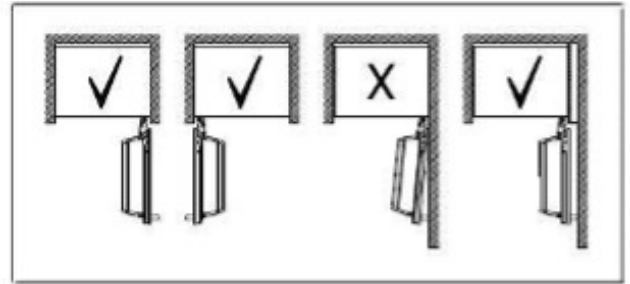


Tape

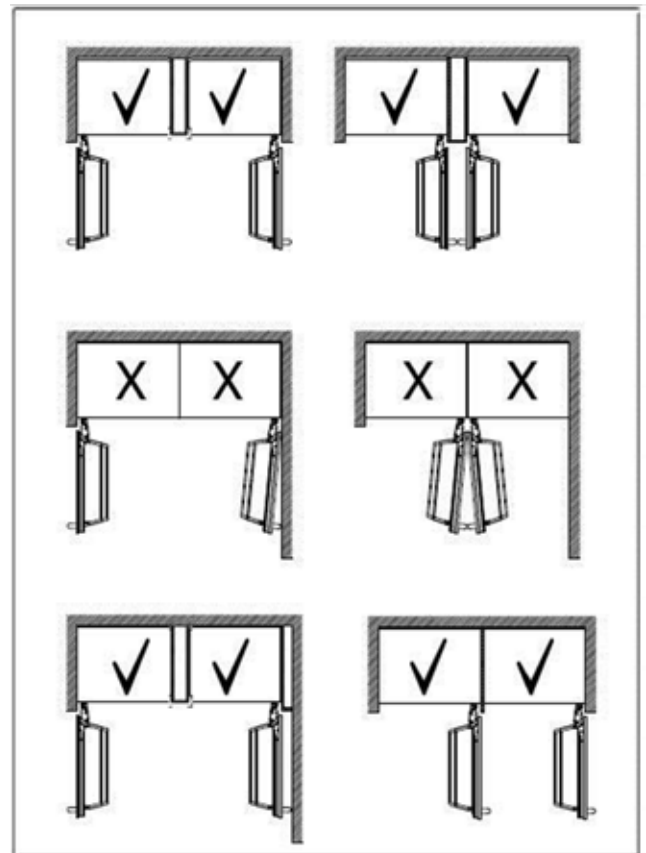
2.7 Alternatives for Installation

The appliance can be installed in a variety of ways depending on the kitchen design. It must be installed in a location where it is certain that the door can be opened and closed properly. If the doors cannot open up to at least 90 degrees the appliance drawers will not be able to be opened.

• Single-fridge cabinet placement methods



• Dual-fridge cabinet placement methods



2.8 Preparation for Installation

The instructions below refer to a built-in installation.

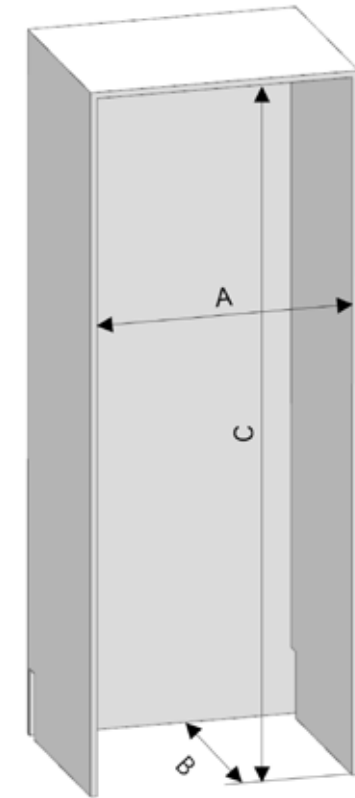
In a built-in installation, the appliance is installed in a cabinet niche or framed in with panels.

Niche Dimensions

- The niche dimensions below must be checked before beginning the installation.

2. BEFORE INSTALLATION

| Category | | REF30BMB...N... | REF36BMB...N... | REF36FDB...N... |
|----------|---------------|-----------------|-----------------|-----------------|
| A | width | 30" (762 mm) | 36" (914 mm) | 36" (914 mm) |
| B | depth | 25" (635 mm) | 25" (635 mm) | 25" (635 mm) |
| C | height | 84" (2134 mm) | 84" (2134 mm) | 84" (2134 mm) |



2.9 Location of the Electrical Wiring

The location of the electrical outlet in the cabinet where the product is to be installed must be within the area shown in the figure.



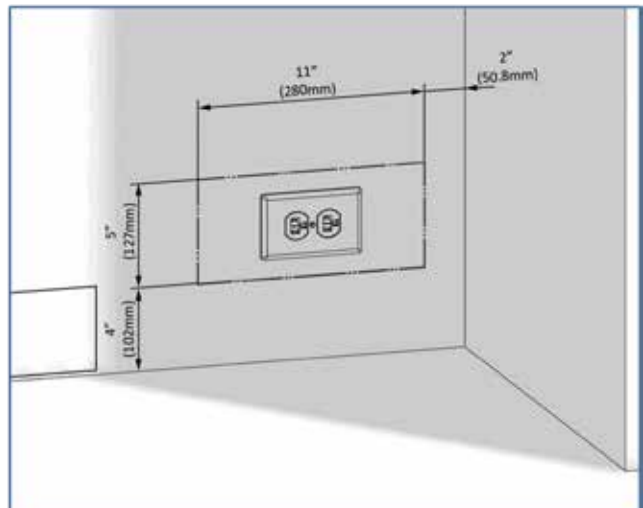
CAUTION:

Do not use extension cords or two-prong adapters and do not remove the ground terminal of the grounding cable.



CAUTION:

A qualified electrician must ensure that the poles of the socket are connected correctly. Verify that the grounding of the socket is correct.



2.10 Location of the Water System

The water connected to the water supply must be potable.

The location of the water line connection must be within the area shown in the figure below.

The refrigerator's water system must be connected to the house's main water supply.

The user must be able to switch it on/off using the valve when necessary.

Objects that might pierce the water hoses or cause them to twist must not be present where the water line is installed.

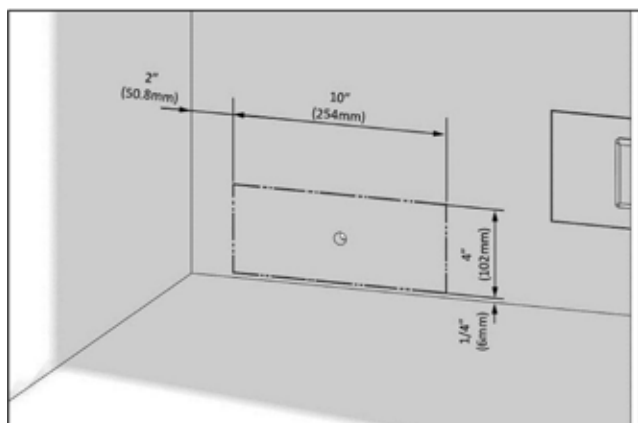
The pressure of the water system must be between 25-80 psi (1.7-5.5 Bar).

If the water pressure exceeds 80 psi, install a pressure limiting device or water impact protector to the inlet valve. Do not install or operate the appliance if it is possible for the water pressure to exceed 120 psi.

! WARNING:

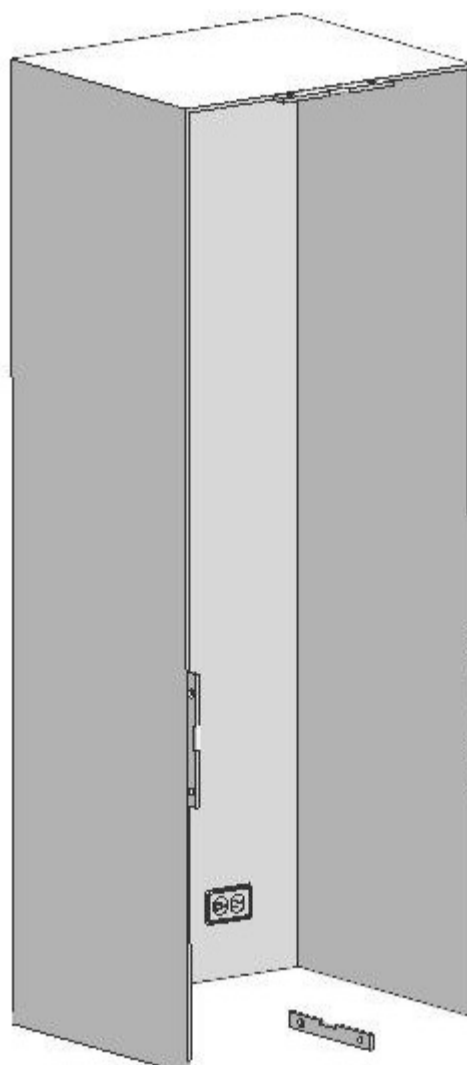
Make sure that there is no water leakage when establishing the water connections. Otherwise, water may damage the cabinetry. The water supply line must be located in the cabinet where the appliance is to be installed. The user must be able to switch it on/off using the valve when necessary. You will need a hose with a minimum length of 60" (1.5 meters) and a diameter of 1/4" for the appliance's water connections during installation. A connector that has a thread with an external diameter of 1/4" must be used to connect the end of the hose to the product.

Before completing the installation, make sure that water flows and that there is no water leakage.



! WARNING:

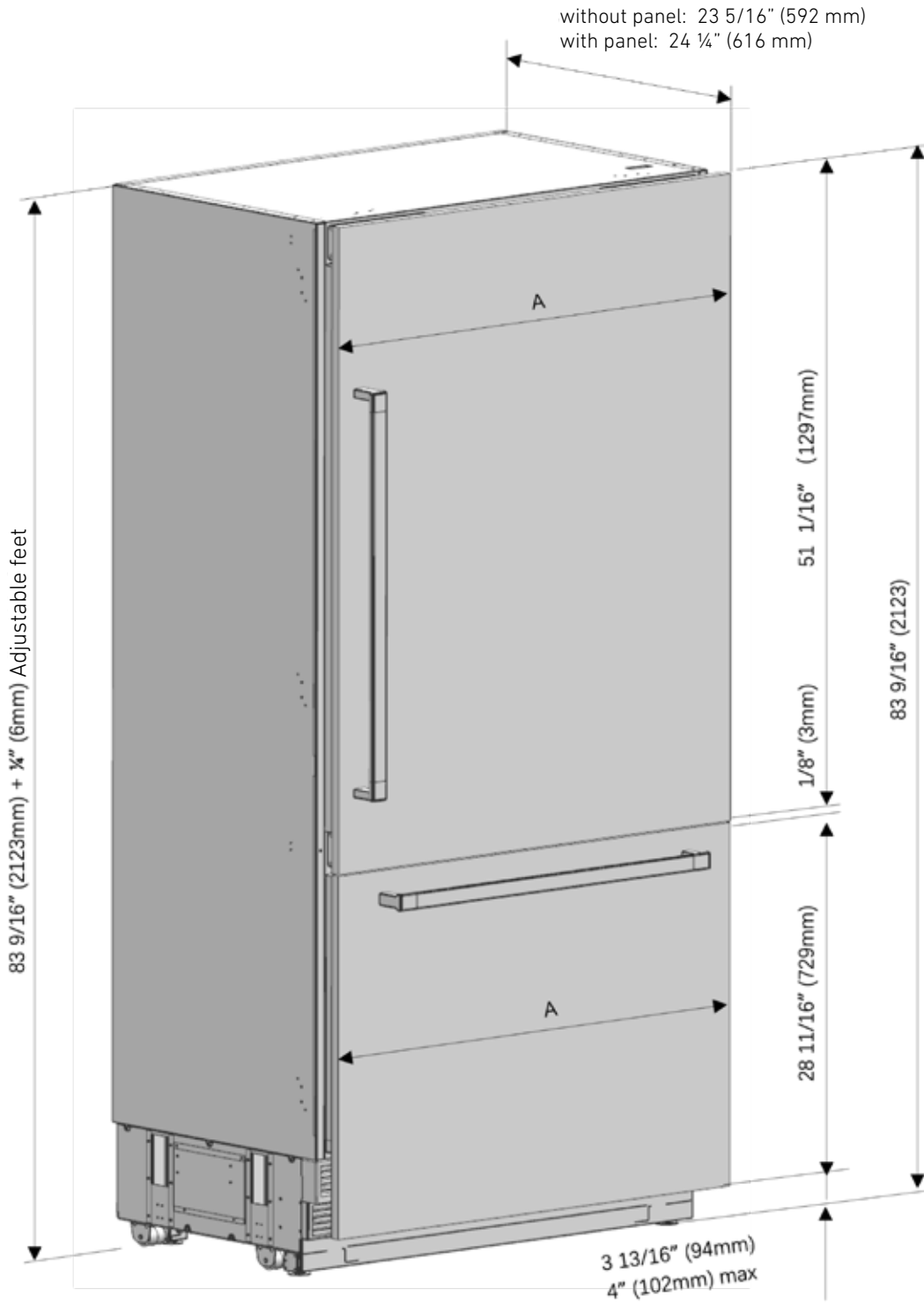
- The level of the floor where the product is to be installed must be checked with a bubble level.
- The cabinet flanges must be checked with a bubble level to ensure that they are perfectly vertical.
- If the appliance is not perfectly level and vertical, problems may arise with the installation.



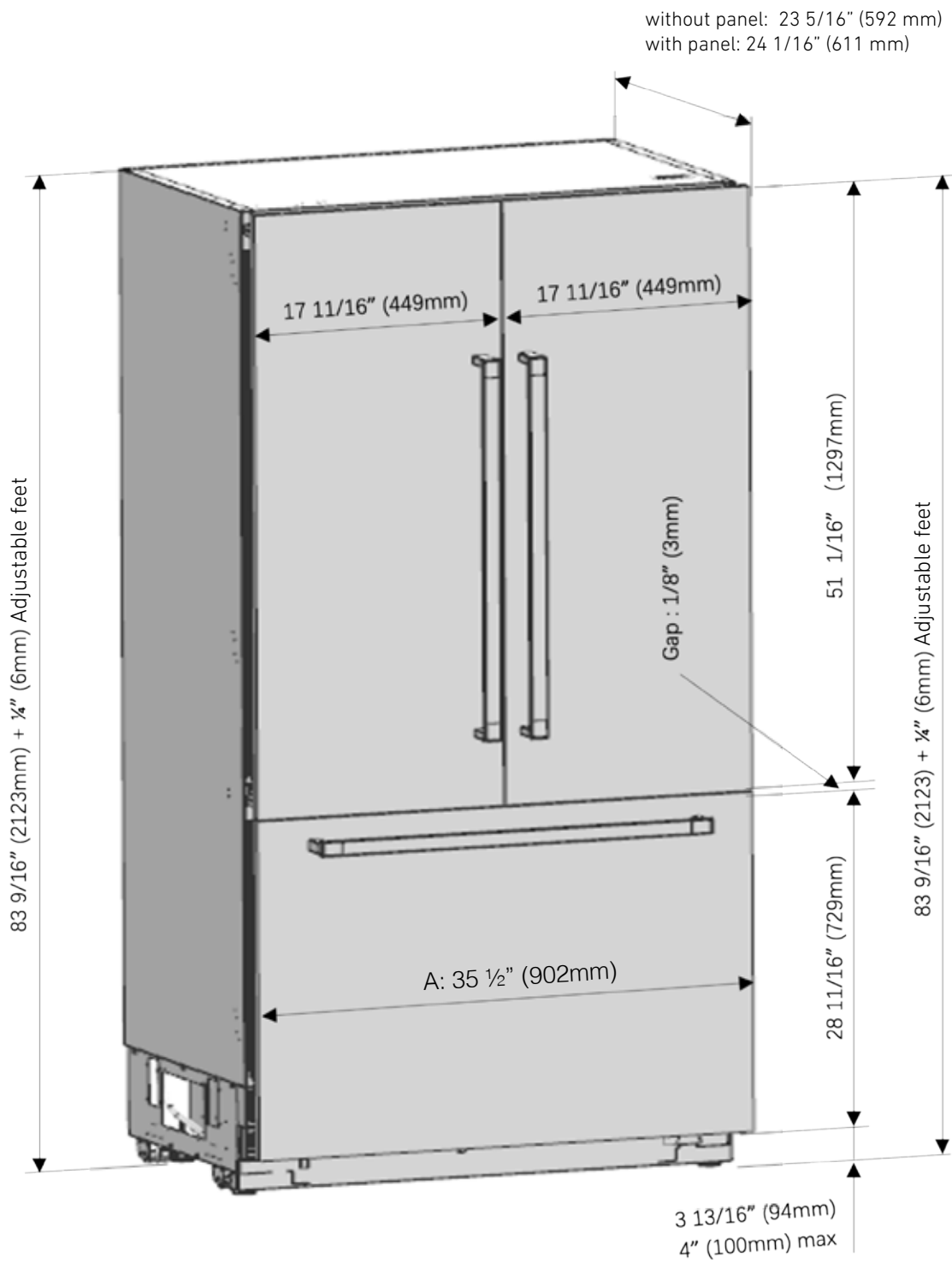
2. BEFORE INSTALLATION

2.11 Product dimensions

| Category | REF30BMB...N... | REF36BMB...N... | REF36FDB...N... |
|----------|------------------|------------------|------------------|
| A | 29 3/4" (756 mm) | 35 3/4" (908 mm) | 35 1/2" (902 mm) |



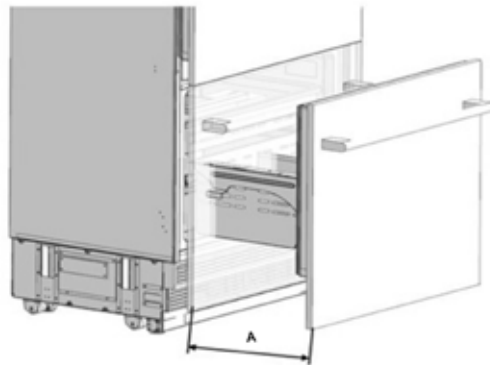
REF30BMB...N...
REF36BMB...N...



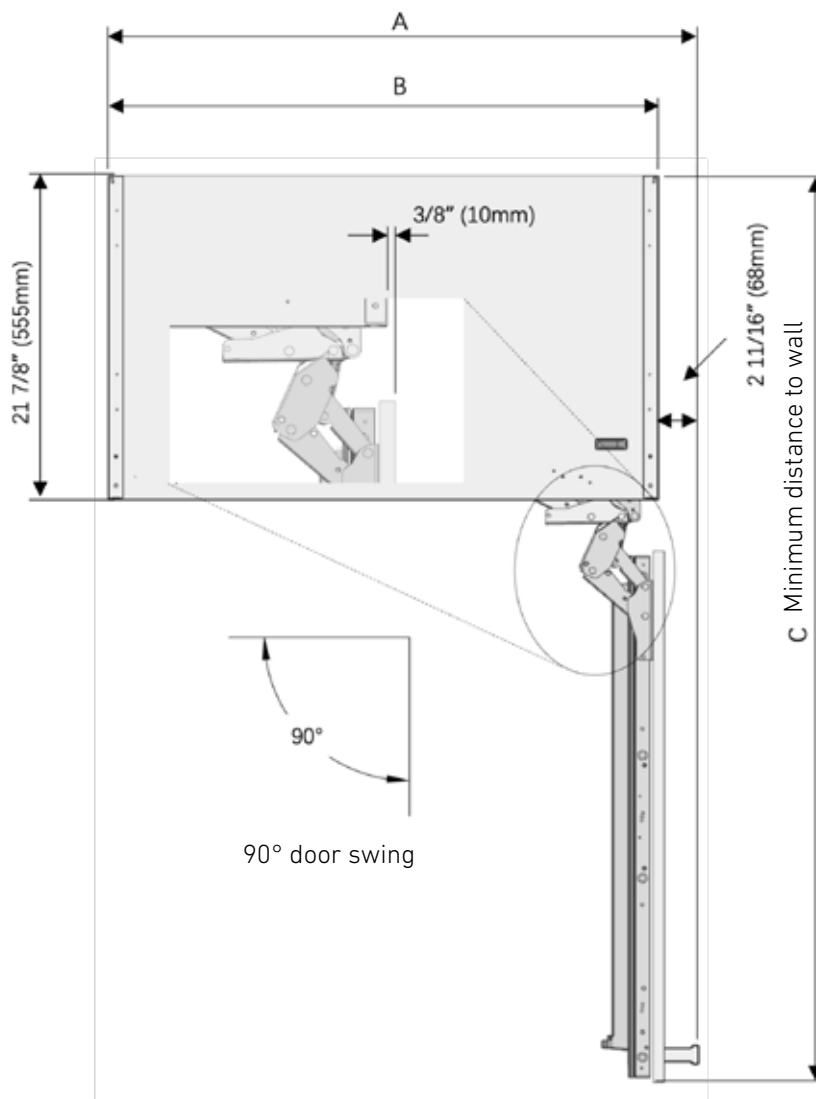
REF36FDB...N...

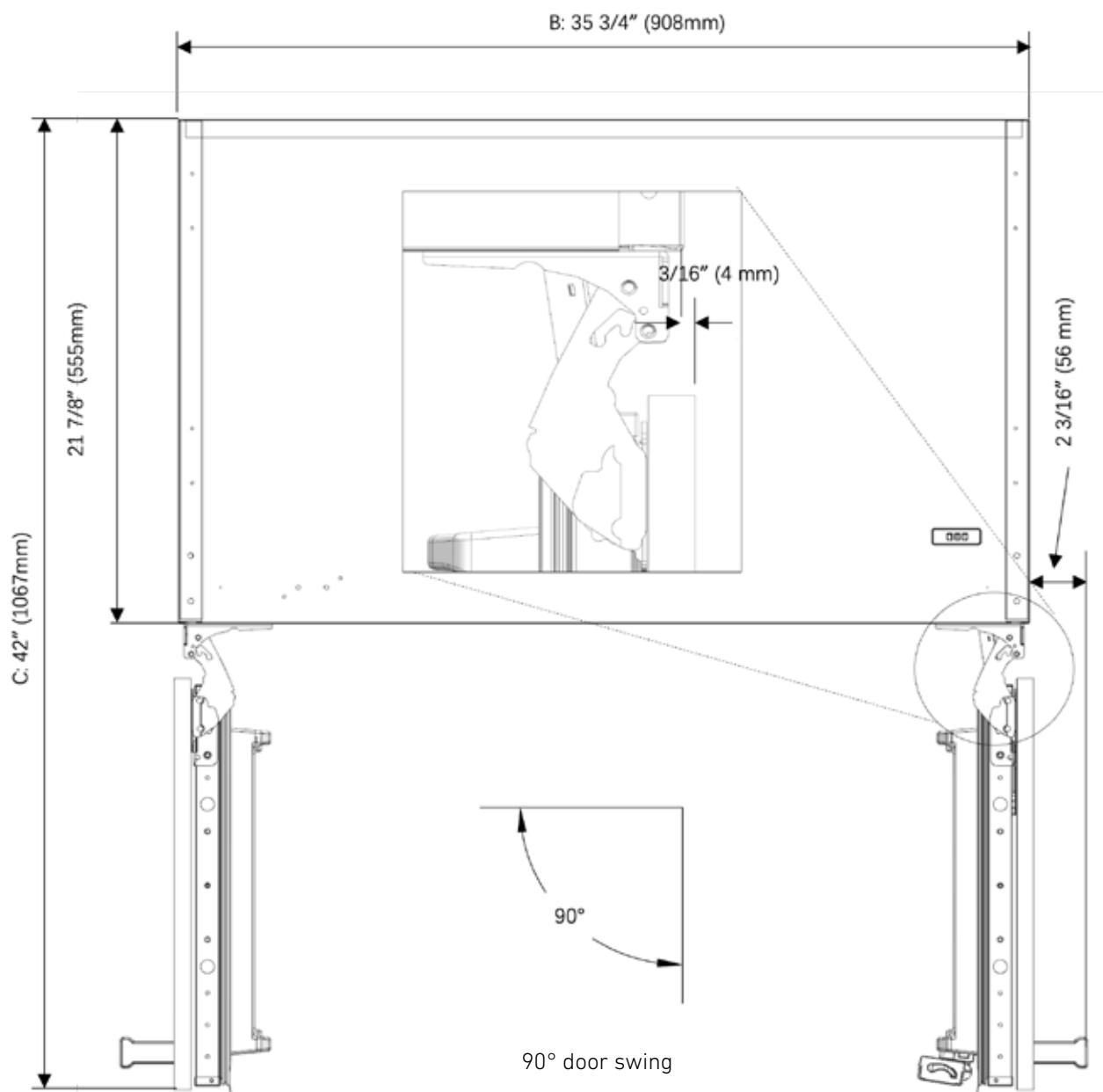
2. BEFORE INSTALLATION

| Category | REF30BMB...N... | REF36BMB...N... | REF36FDB...N... |
|----------|------------------|------------------|------------------|
| A | 15 1/4" (388 mm) | 15 1/4" (388 mm) | 15 1/4" (388 mm) |



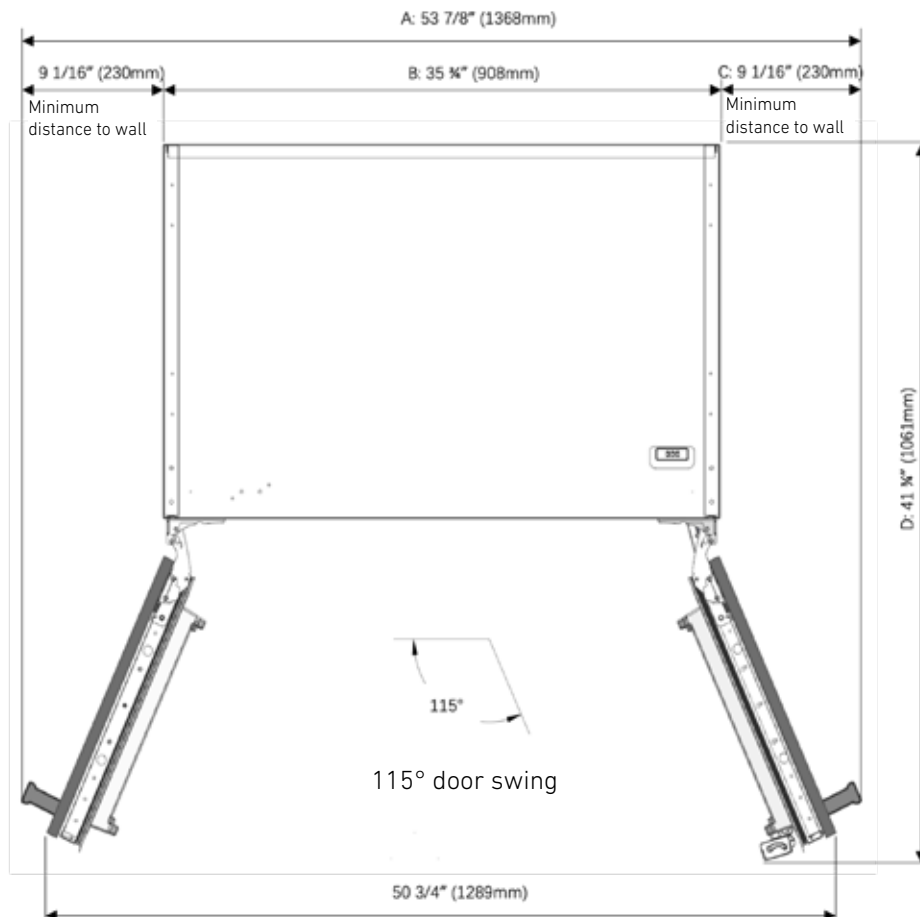
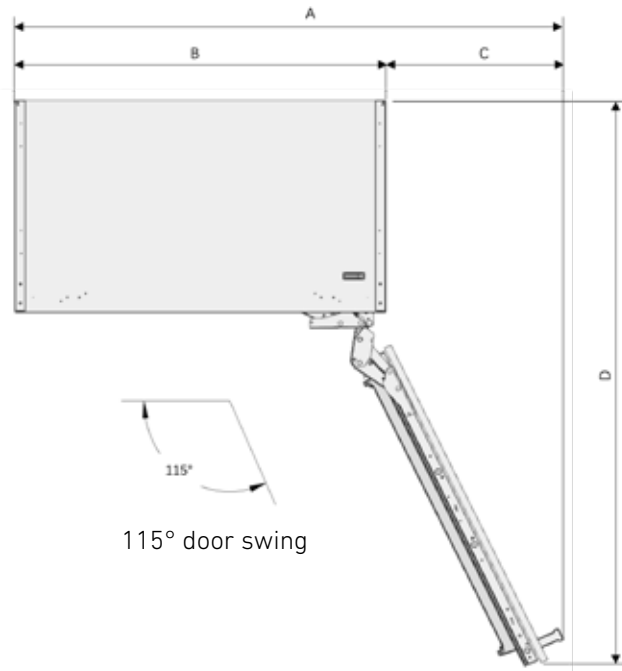
| Category | REF30BMB...N... | REF36BMB...N... | REF36FDB...N... |
|----------|--------------------|-------------------|-------------------|
| A | 32 7/16" (824 mm) | 38 7/16" (976 mm) | 41 1/8" (1044 mm) |
| B | 29 3/4" (756 mm) | 35 3/4" (908 mm) | 35 3/4" (908 mm) |
| C | 55 1/16" (1398 mm) | 61" (1550 mm) | 42" (1067 mm) |

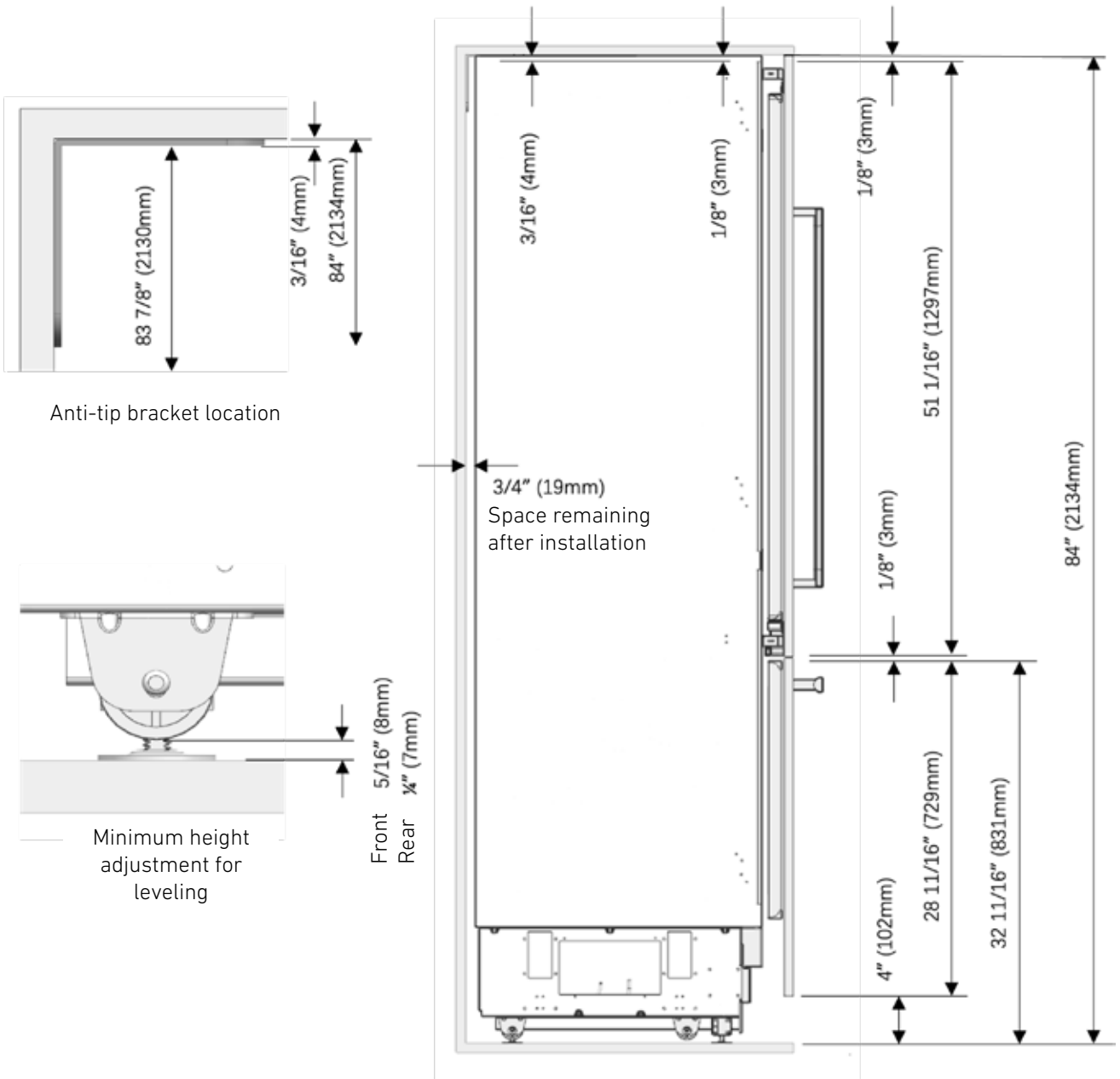




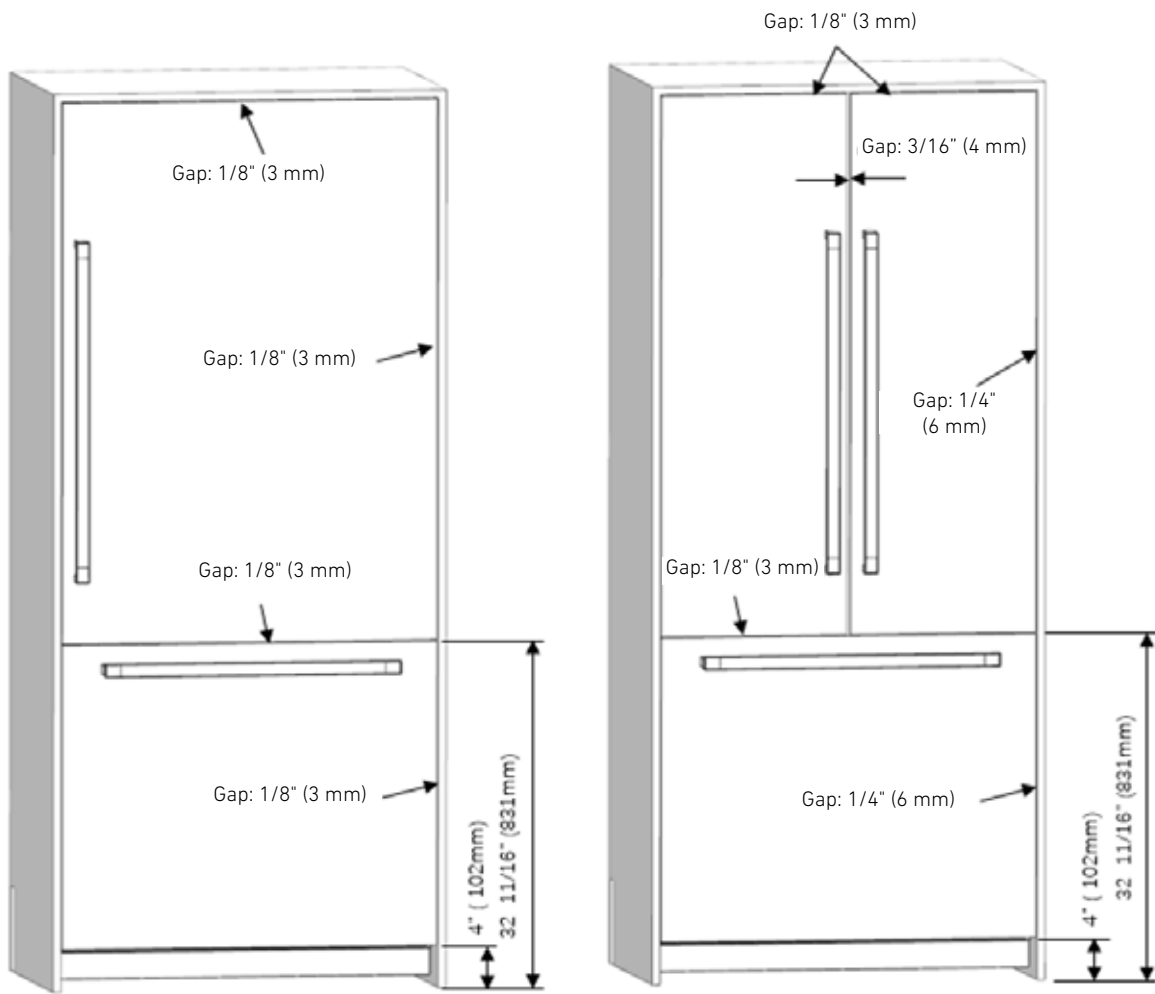
2. BEFORE INSTALLATION

| Category | REF30BMB...N... | REF36BMB...N... | REF36FDB...N... |
|----------|---------------------|-------------------|-------------------|
| A | 44 3/8" (1127 mm) | 54 3/4" (1391 mm) | 53 7/8" (1368 mm) |
| B | 29 3/4" (756 mm) | 35 3/4" (908 mm) | 35 3/4" (908 mm) |
| C | 14 5/8" (371 mm) | 19" (483 mm) | 9 1/16" (230 mm) |
| D | 52 11/16" (1338 mm) | 57 3/4" (1466 mm) | 41 3/4" (1061 mm) |





2. BEFORE INSTALLATION

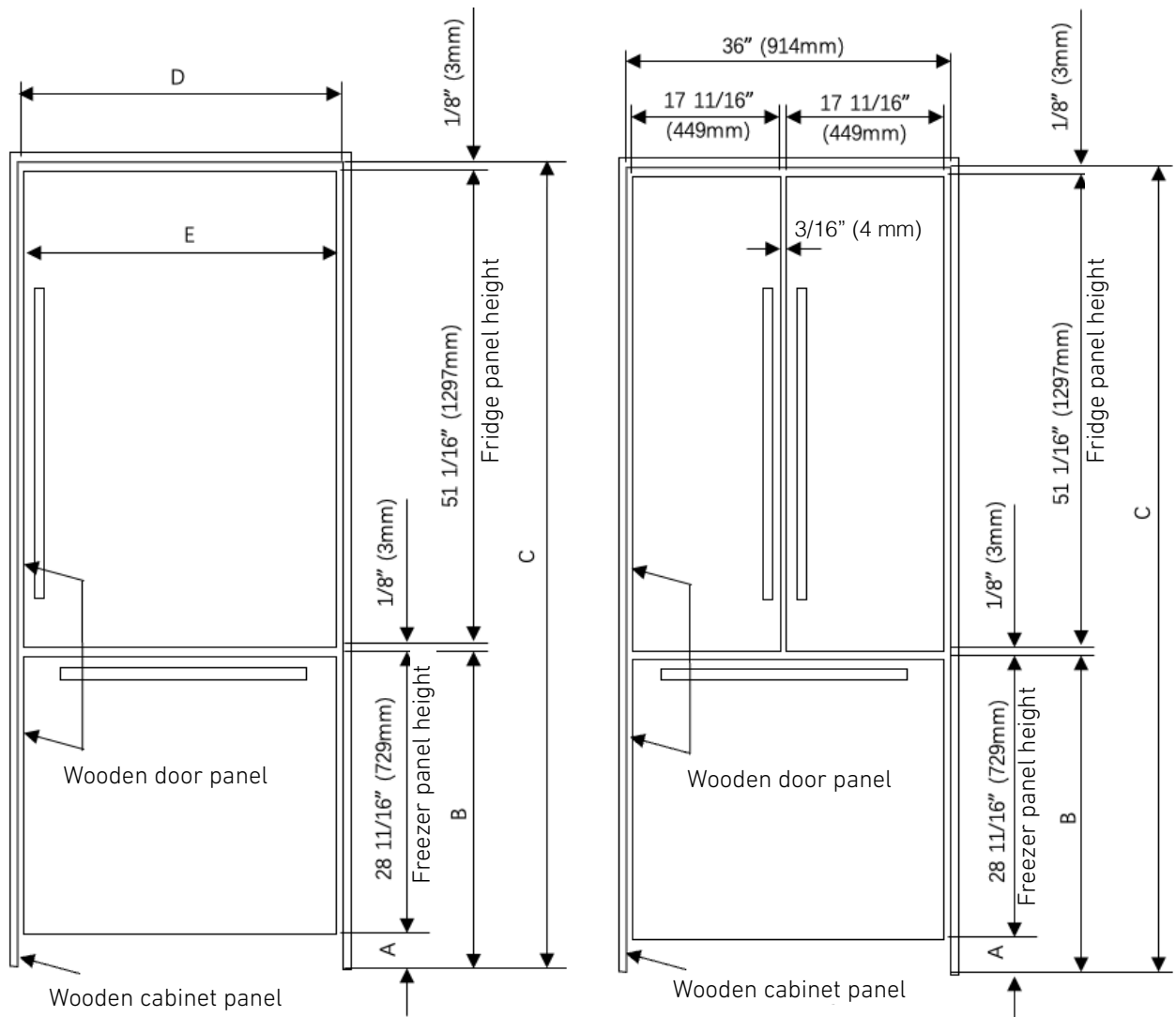


REF30BMB...N...
REF36BMB...N...

REF36FDB...N...

Height of the kitchen countertop based on the min./max. height of the cabinet

| | A | B | C |
|-----------------|------------------|--------------------|---------------------|
| standard | 4" (102 mm) | 32 11/16" (831 mm) | 84" (2134 mm) |
| minimum | 3 13/16" (97 mm) | 32 1/2" (826 mm) | 83 13/16" (2129 mm) |
| maximum | 5 3/8" (137 mm) | 34 1/16" (866 mm) | 85 3/8" (2169 mm) |



| Category | REF30BMB...N... | REF36BMB...N... | REF36FDB...N... |
|----------|------------------|------------------|-----------------|
| D | 30" (762 mm) | 36" (914 mm) | - |
| E | 29 3/4" (756 mm) | 35 3/4" (908 mm) | - |

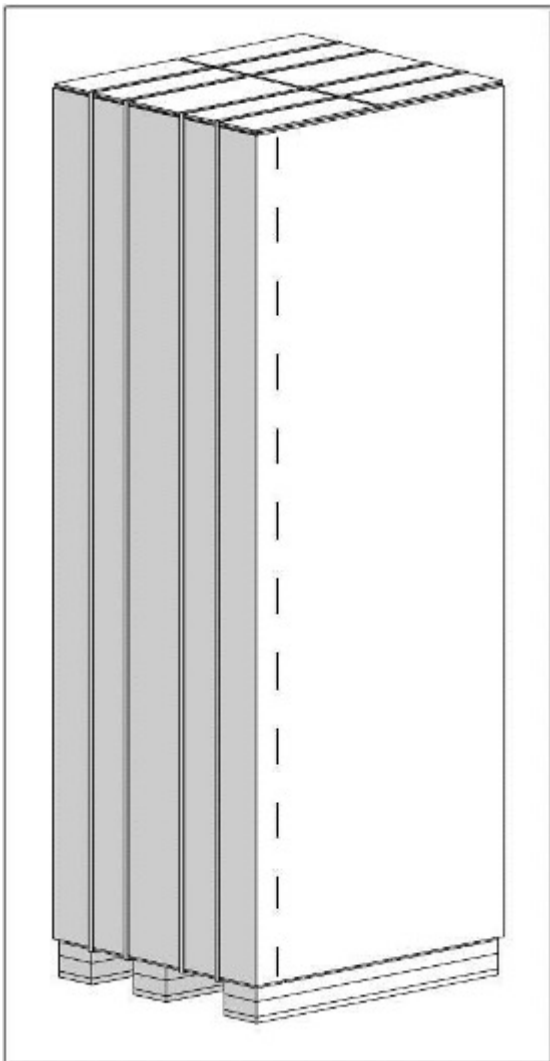
2. BEFORE INSTALLATION

2.12 Unpacking

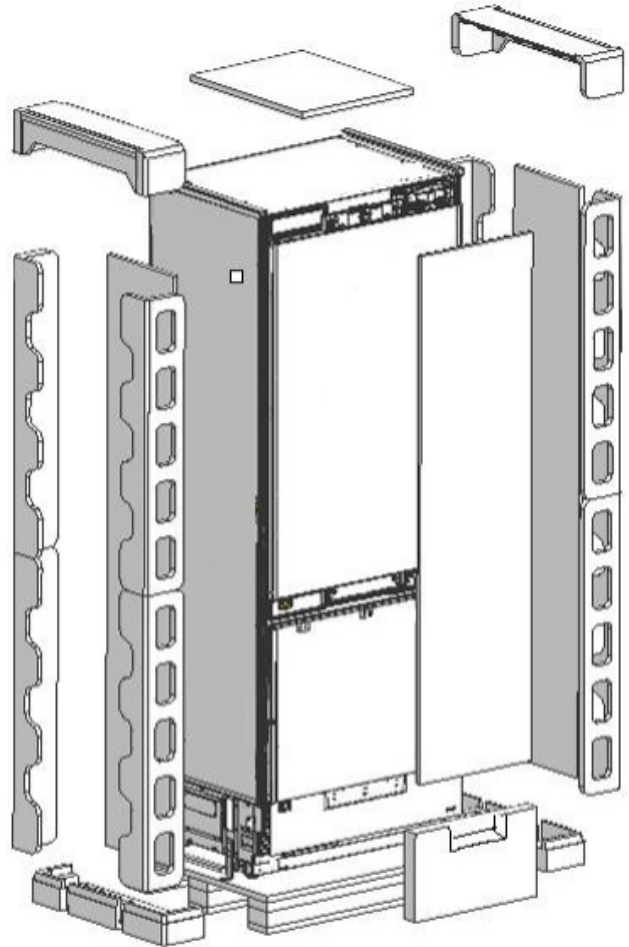
! **WARNING:**
At least two people must carry the refrigerator.



- Use a box cutter to remove the tape.
- Cut the cardboard packaging along the dotted lines using a box cutter and remove it.

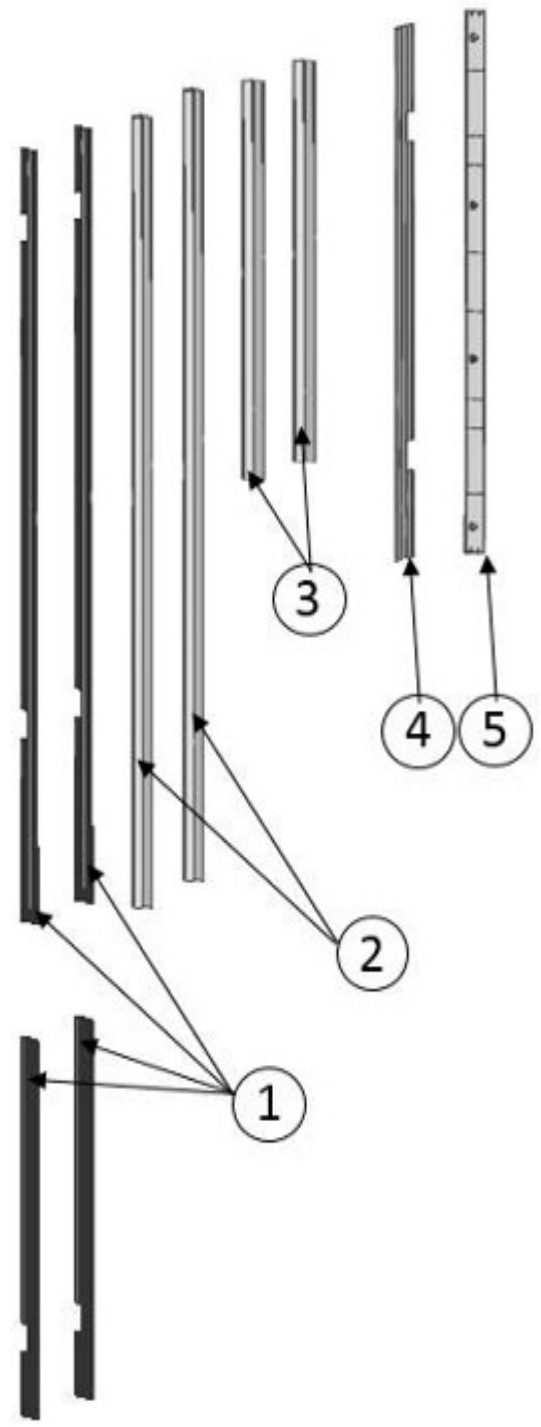


- Remove the polystyrene packing material.



!!! **CAUTION:**
Do not remove the tape from the upper door of the appliance until the refrigerator is placed in the cabinet.
Tipping risk.

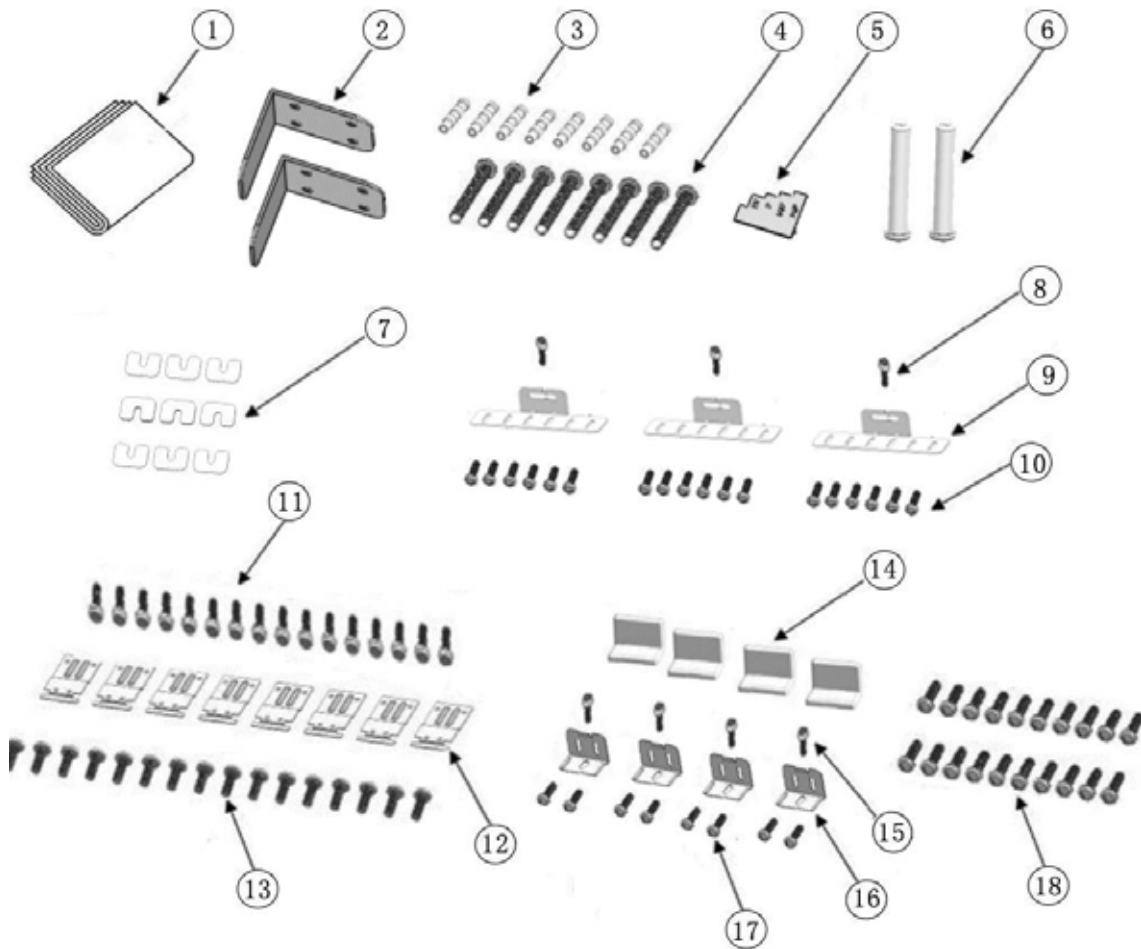
2.13 Removing the Connectors on the Side Wall of the Unit



| No. | Part name | Specs | REF30BMB...N... | REF36BMB...N... | REF36FDB...N... |
|-----|--------------------------------|-----------------------------------|-----------------|-----------------|-----------------|
| 1 | Fridge trim, cabinet side | PVC extrusion, L = 617, L = 1,259 | 4 | 4 | 4 |
| 2 | Fridge trim, door side | PVC extrusion, L = 1,136 | 2 | 2 | 4 |
| 3 | Freezer trim, door side | PVC extrusion, L = 556 | 2 | 2 | 2 |
| 4 | Fridge trim, top of cabinet | PVC extrusion, L = 762, L = 914 | 1 | 1 | 1 |
| 5 | Cover for the freezer door top | ABS | 1 | 1 | 1 |

2. BEFORE INSTALLATION

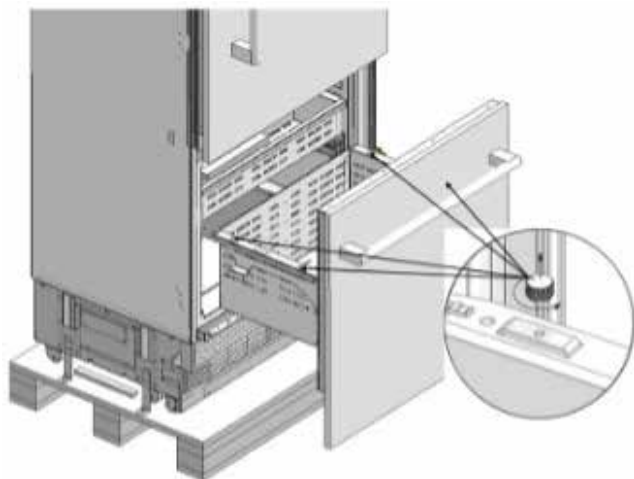
2.14 Removing the Installation Hardware from the Freezer Compartment



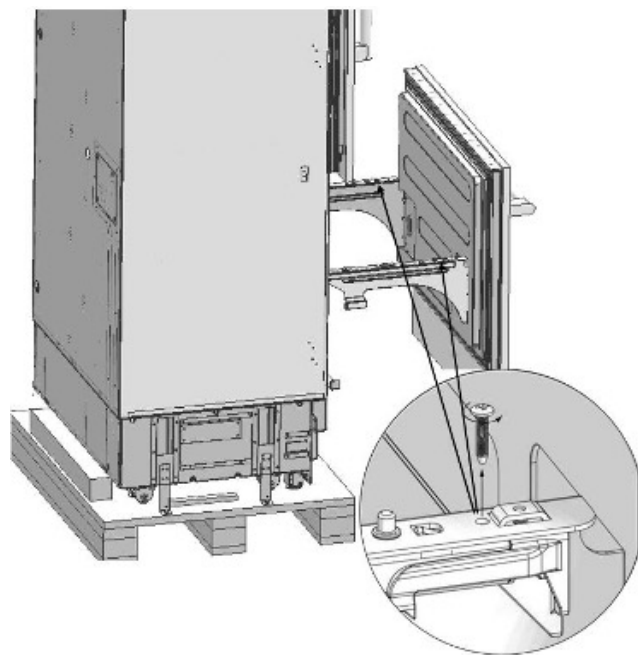
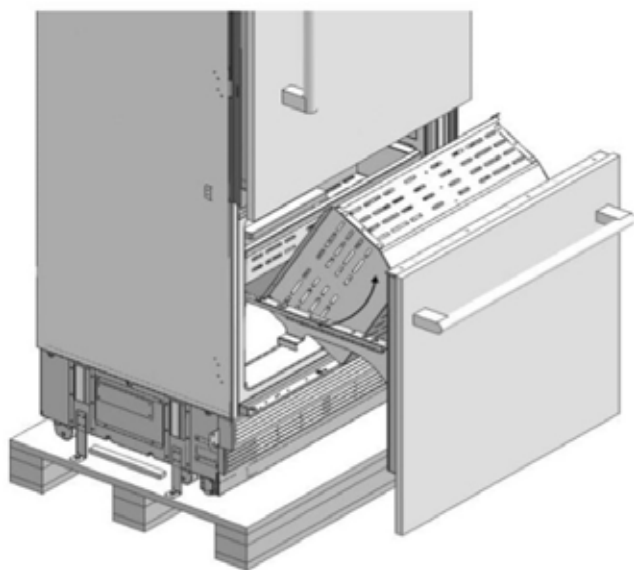
| No. | Part name | Specs | REF30BMB...N... | REF36BMB...N... | REF36FDB...N... |
|-----|---|---------------------------------|-----------------|-----------------|-----------------|
| 1 | Furniture door preparation template | paper | 1 | 1 | 1 |
| 2 | Anti tip bracket | T4.0, Zn-coating | 2 | 2 | 2 |
| 3 | Dowel | | 8 | 8 | 8 |
| 4 | Anti tip bracket screws | M8*L60 | 8 | 8 | 8 |
| 5 | Position adjustment jig | PS | 1 | 1 | 1 |
| 6 | 90° limiting pins | sus | 2 | 2 | - |
| 7 | Freezer furniture door adjustment washer | abs | 9 | 9 | 9 |
| 8 | Screw freezer door hanger bracket | ST4.8*16, round head screw 3 | 3 | 3 | 3 |
| 9 | Freezer door hanger bracket | T1.0, Cr+zn-coating | 3 | 3 | 3 |
| 10 | Screw freezer furniture door hanger bracket | ST4x14, counter sunk head screw | 18 | 18 | 18 |
| 11 | Screw cabinet connecting bracket | M4*12, truss washer head | 16 | 16 | 16 |
| 12 | Cabinet- cabin connecting bracket | T1.0, Zn-coating | 76 | 91 | 92 |
| 13 | Screw cabin connecting bracket | ST4x14, counter sunk head screw | 8 | 8 | 8 |
| 14 | Cover furniture door bracket | abs | 16 | 16 | 16 |
| 15 | Screw door fixing bracket | M4*12, truss washer head | 4 | 4 | 2 |
| 16 | Door- door furniture connecting bracket | T1.0, Cr+zn-coating | 4 | 4 | 2 |
| 17 | Screw furniture door fixing bracket | ST4x14, counter sunk head screw | 8 | 8 | 4 |
| 18 | Screw furniture door hanger bracket | ST4x14, counter sunk head screw | 20 | 20 | 24 |

2.15 Removing the Freezer Drawer

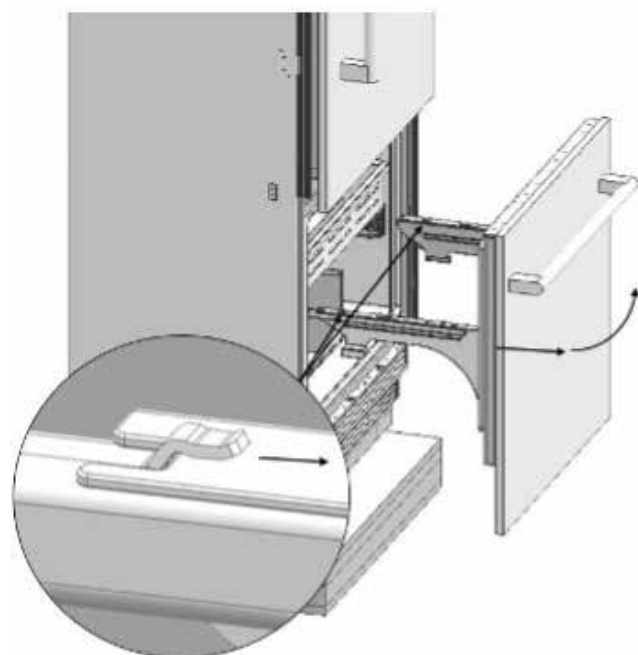
- Remove it manually by removing the 4 knurled screws.



- Remove the lower drawer.



- Pull the door outward to free it from the tabs at the back and remove it.



2.16 Removing the Freezer Door

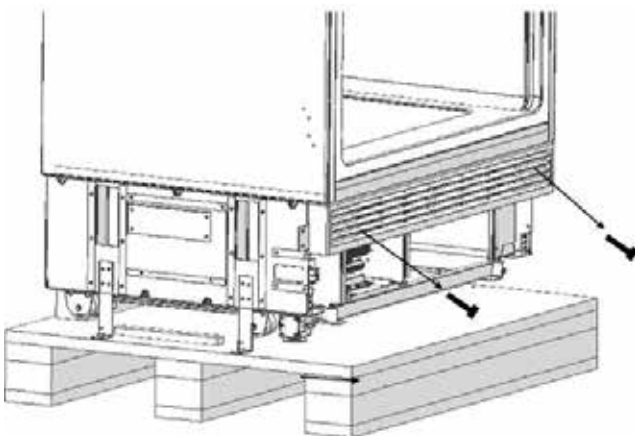
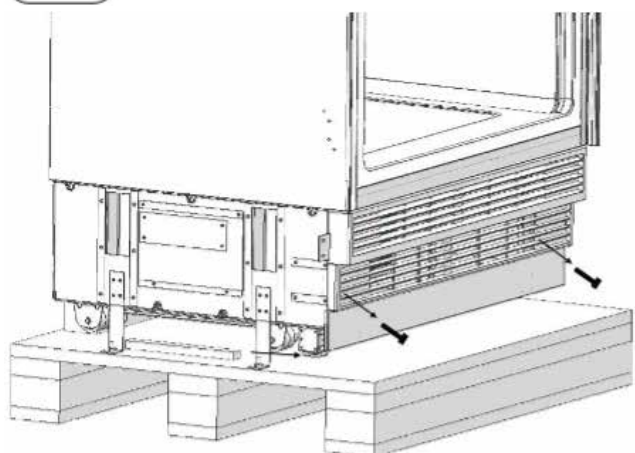
- Remove 2 screws near the front section that connect the freezer the door to the rail.



2. BEFORE INSTALLATION

2.17 Removing the Lower and Upper Ventilation Grill Covers

- Remove the 2 screws on the sides with a screwdriver in order to remove the lower ventilation grill cover.
- Remove the 2 screws on the sides with a screwdriver in order to remove the upper ventilation grill cover.



3.1 Before Installation

Proceed with installation of the product according to the instructions below. Be sure to take into account national and local code requirements regarding installations.

Please comply with the following:

- For the USA, The National Electrical Code, ANSI/NFPA 70 (latest version)/State or Municipal directives and/or regional directives.
- For Canada, The Canadian Electrical Code, C22.1 (latest version)/State or Municipal directives and/or regional directives.

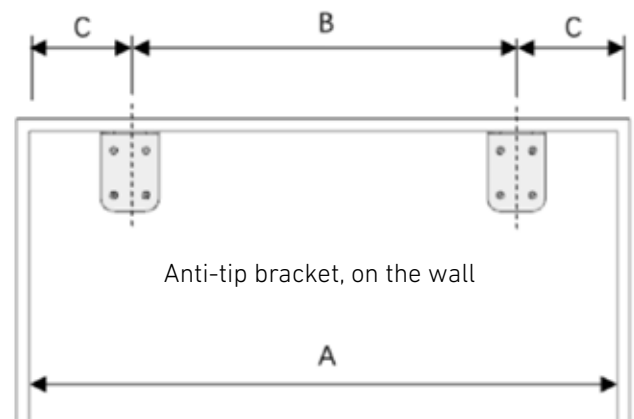
3.2 Mounting the Anti-Tip Brackets

! WARNING: If the unit cannot be secured to the cabinetry (which in turn must be secured to wall) to prevent tipping, make sure to use the supplied anti-tip brackets in order to prevent the appliance from tipping over.

! WARNING: Make sure that there is no electrical or water connection in the adjacent cabinets into which the mounting screws will be screwed to secure the refrigerator.

! WARNING: Please remember to use the necessary protective equipment when drilling holes in the wall and performing the installation.

- Use a tape measure to mark the wall for installation of the anti-tip brackets (2).



| Category | REF30BMB...N... | REF36BMB...N... | REF36FDB...N... |
|----------|------------------|------------------|------------------|
| A | 30" (762 mm) | 36" (914 mm) | 36" (914 mm) |
| B | 23 5/8" (600 mm) | 23 5/8" (600 mm) | 23 5/8" (600 mm) |
| C | 3 3/16" (81 mm) | 6 3/16" (157 mm) | 6 3/16" (157 mm) |

3. INSTALLATION INSTRUCTIONS

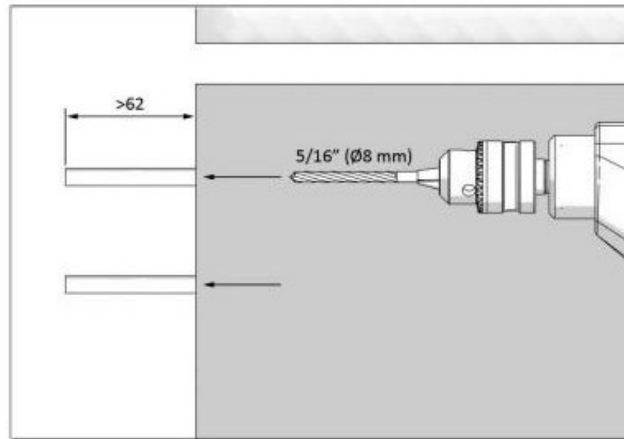
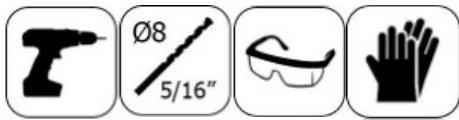
- For the most secure installation, use a stud-finder to secure the anti-tip brackets in wall studs. If no studs are present at the correct installation location, follow the instructions below.



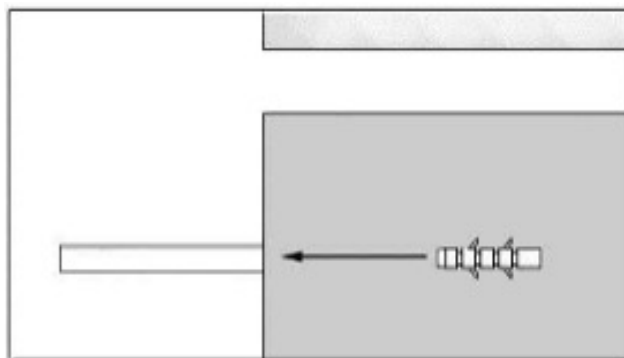
WARNING:

Always make sure that the area to be drilled into is free of any waterlines or electrical circuits, which could cause damage, injury, or death.

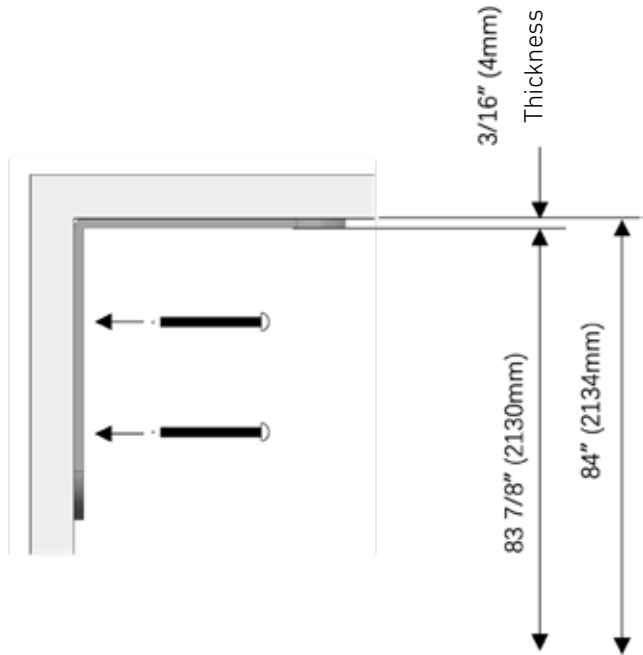
- Use a drill to create holes for wall anchors (#3) at the marked points. (5/16", Ø8)



- Use a hammer to install the wall anchors (#3) if no stud is present.



- Install the anti-tip brackets (#2) in place, using 4 screws (#4) for each. You must use both (two) brackets to ensure that the appliance is safely supported.



NOTE:

If you are not confident that the supplied connectors and anti-tip brackets are mounted on the wall as securely as they should be, you can use alternative anti-tip methods.

If there is a cabinet panel behind the back wall of the refrigerator, make sure that it is securely fastened to the wall. For this, you need to be sure that the back wall of the cabinet panel is affixed to a wall stud.

Alternative anti-tip method:

If the anti-tip brackets cannot be mounted securely, you must use the alternative method below. For this method, you can use wooden boards to avoid the risk of tipping over.

They must be installed as illustrated in the figure below.

There must be no clearance between the appliance and the wooden support.

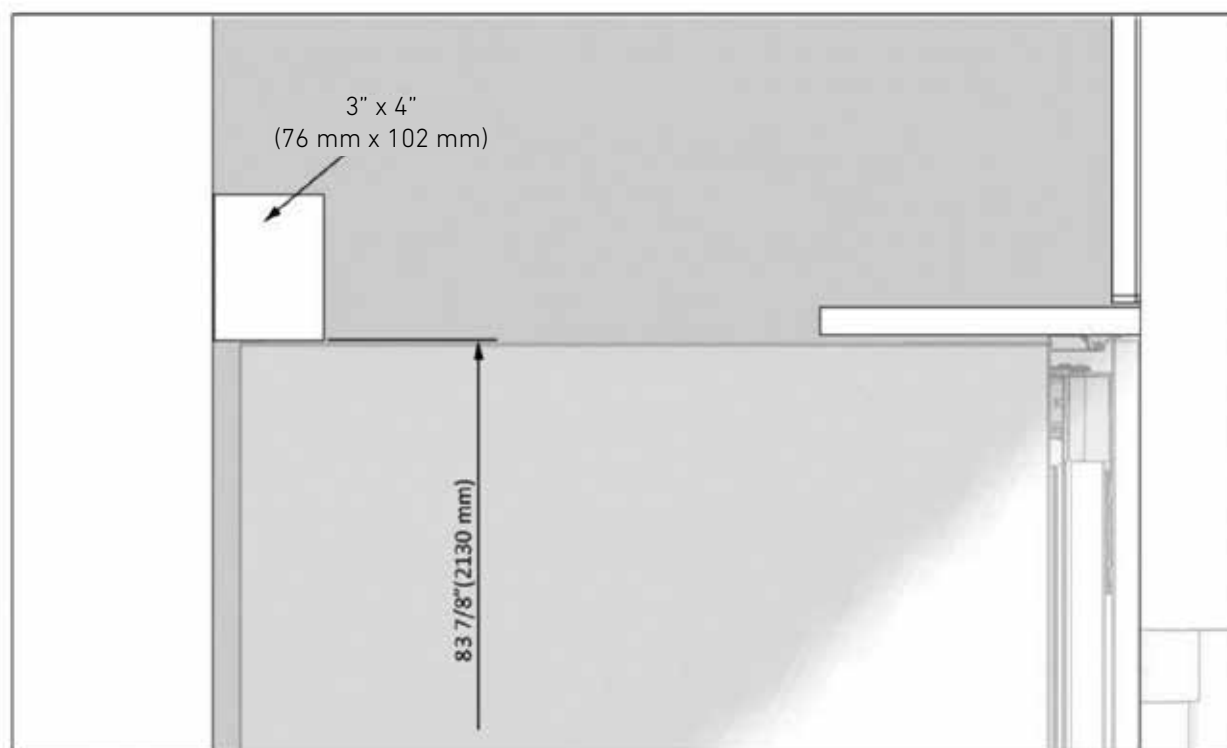
The minimum section dimensions of the wooden support must be 3" x 4" (76 mm x 102 mm). The width of the support must be equal to the clearance where it will be installed. This can be achieved using one 4" x 4" (102 mm x 102 mm) or two 2" x 4" (51 mm x 102 mm) pieces of framing lumber.

The calculation of blocking depth is based on a standard niche depth. If the depth of the niche is greater than 24" (610 mm), ensure the blocking overlaps the upper rear fridge body by 2" (51 mm).

Position the wooden support, mark the location on the rear wall, select suitable screws and mount it securely.

**WARNING:**

The quantity and type of screws or fasteners to be used for affixing wooden blocking must be suitable for ensuring a secure connection to the rear wall.



3. INSTALLATION INSTRUCTIONS

3.3 Preparing the Water Hose and the Electrical Connection

Inspect all water connections for leaks. Water leaks can cause significant damage over time. It is recommended to use a 1/4" water line with a minimum length of 60" (1.5 meters) with a threaded 1/4" female connector end. Before finishing the installation, turn the water on to ensure that water is flowing and that there are no leaks.

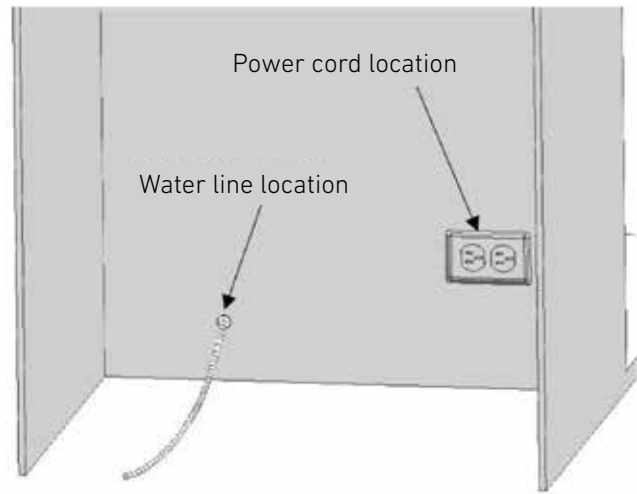
A connector that has a thread with an external diameter of 1/4" must be used to connect the end of the hose to the product.

Allow for sufficient slack in the water supply line, providing a minimum of 10" of length from the base of the unit once it is installed in the niche. This provides some allowance for connections and adjustments if needed.

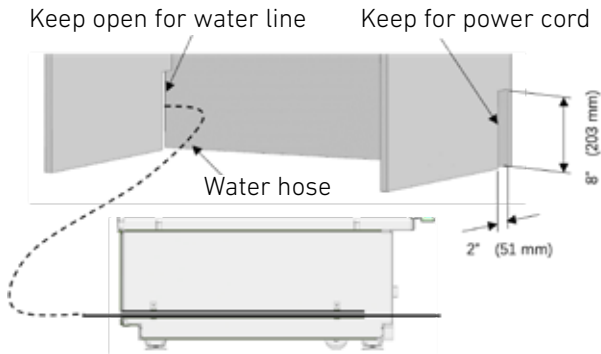
The product must be connected to a 3-prong outlet on a dedicated 15 amp circuit; local electrical and building codes should be respected.

You can choose method A or method B below to prevent the power cord from getting wedged in.

- Method A: Position the water hose and the power supply connections on the back.



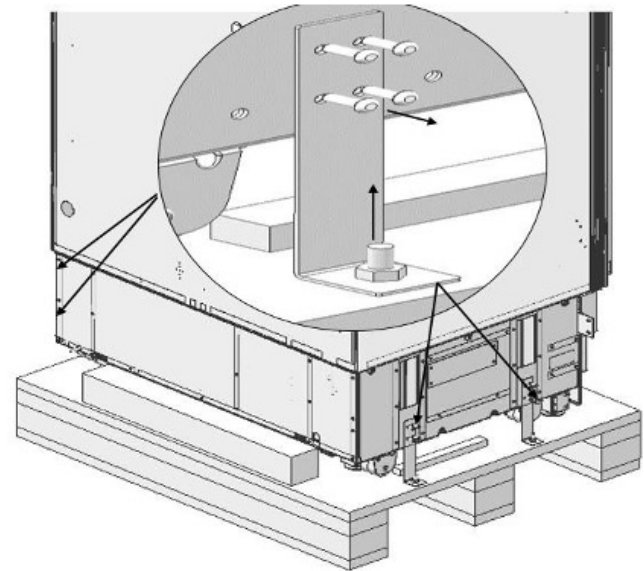
- Method B: Position the water hose and power supply connections on the side.



3.4 Installation in the cabinet

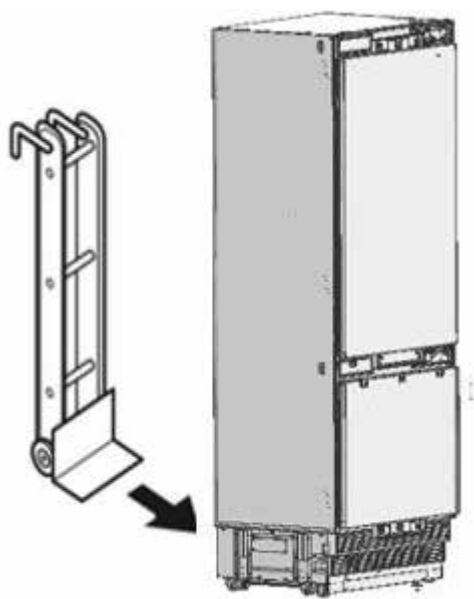
Taking the Refrigerator from the Wooden Pallet

- Remove the brackets which secure the refrigerator to the wooden pallet as shown below.



- Slowly tilt the refrigerator back and remove it from the pallet, taking care not to damage the underside of the unit. When transporting the unit, always carry it from the sides to ensure that the unit's feet remain on the base of the appliance dolly.



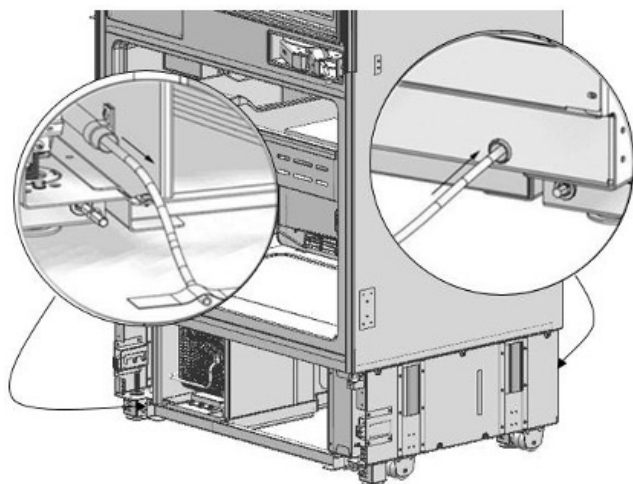


NOTE:
 Exercise extreme caution when handling the unit, as the underside of the fridge has components vital to its proper operation; damage to these components could result in a malfunction or potential leakage of condensate and damage to floors.

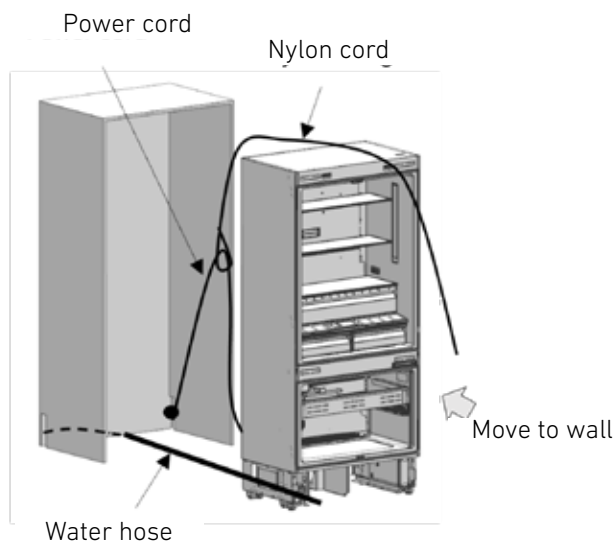
CAUTION:
 The risk of tipping over is high from this point forward. You should not open the doors until the product is placed into the cabinet.

Placing the refrigerator into the cabinet niche.

- Insert the water supply hose into the channel opening at the back of the unit and pull it through to the front of the unit to ensure that the water connection can be made once the unit is installed in the niche.



NOTE:
 Use the method below to prevent the cord from getting wedged in.



Connect the electrical plug to the power outlet. Turn on the unit to ensure it has power. (To see if the product is operating, check if the lamps in the freezer compartment are on or off).

NOTE:
 Protect the front edges of the cabinet niche with masking tape; this will help protect them from damage when pushing the unit back into the niche. Use some packing tape to secure the excess electrical cord to the back of unit to prevent slack from catching under the unit during installation.

NOTE:
 The unit's plug must be accessible after installation. If the plug is not accessible after installation, the power must have a dedicated circuit breaker which can be accessed to cut power off using the main switch.

WARNING:
 Make sure that the power cord does not get wedged in when placing the product.

- Push the product carefully towards the cabinet to position it; the unit should slide into the niche with relative ease. If you experience resistance while placing the product in the cabinet:
 - The floor might be uneven.
 - The adjustable feet might be loose (please

3. INSTALLATION INSTRUCTIONS

see the relevant section to learn how to adjust the adjustable feet).

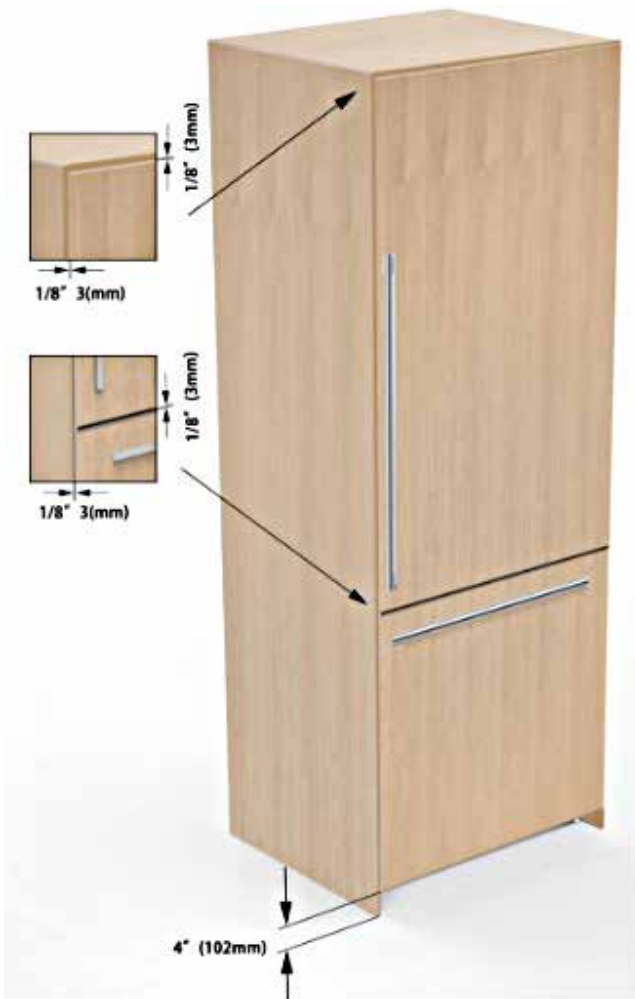
- You must attach the freezer door temporarily to align the product before placing it.



NOTE:

Use the upper edges of the fridge and freezer doors to align the unit in the niche opening.

Adjustment of other edges is explained in the following pages.



Adjusting the height of the refrigerator within the niche

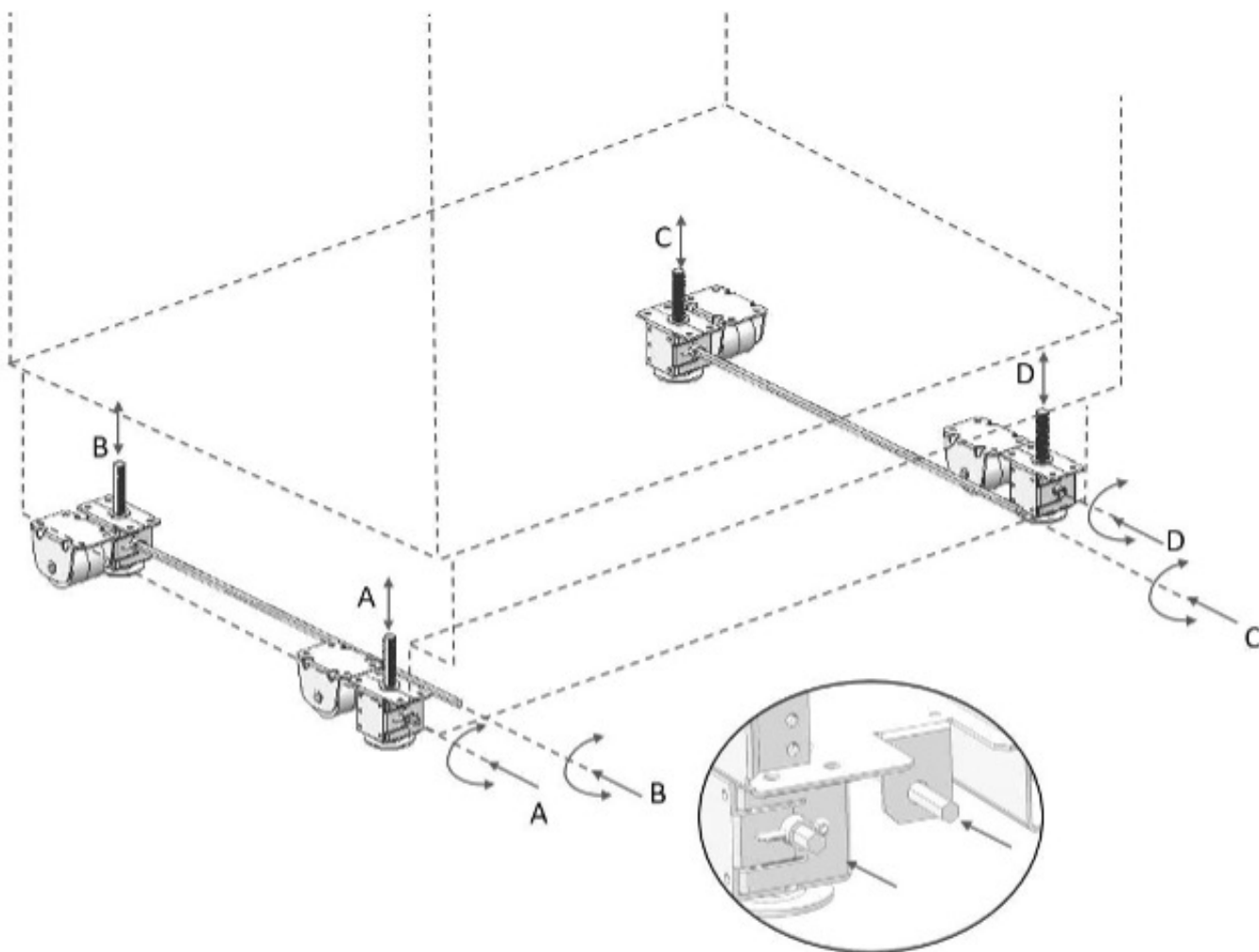
- Use the adjustable leg mechanism to raise, lower and level the unit in the niche as per the diagram below.



WARNING:

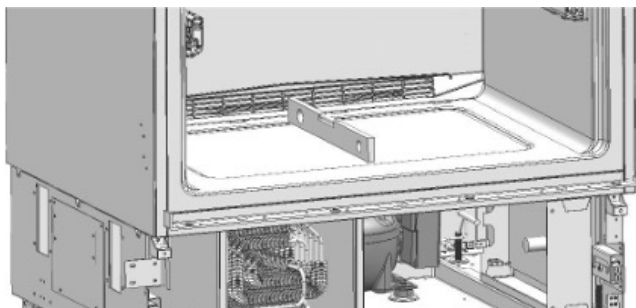
Once the unit is pushed into the niche, raise the front feet first; this will reduce the risk of the unit tipping forward during the height adjustment process.

The maximum height that the adjustable feet can reach is 1 9/16" (40 mm).



A/D –Turn the adjusting rod clockwise to lift the front

B/C –Turn the adjusting rod clockwise to lift the rear

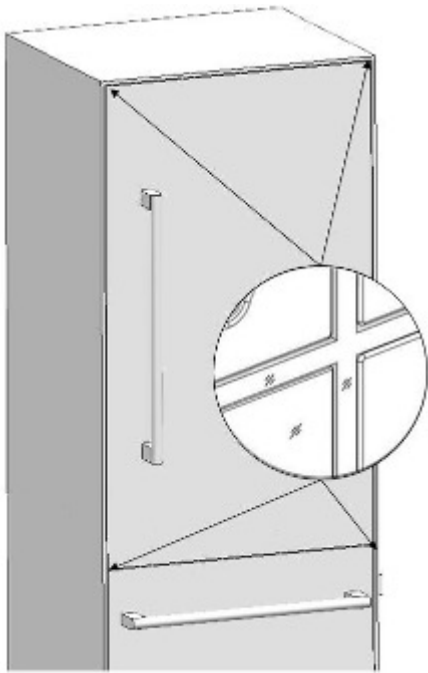


- After adjusting the adjustable feet, check that the appliance is level both side-to-side and back-to-front by placing a level on the floor of the freezer compartment (the drawer should be removed for this).

Adjusting the refrigerator based on the cabinet niche.

- For products with stainless steel panel doors, adjust the position of the unit so that the door and the cabinet surface are flush and a min. 1/8" distance from panels and cabinet sides is ensured.

3. INSTALLATION INSTRUCTIONS



- For panel-ready units, the refrigerator should be installed at a depth that takes into consideration the custom overlay panel thickness, so as to ensure a flush installation, if desired.



NOTE:

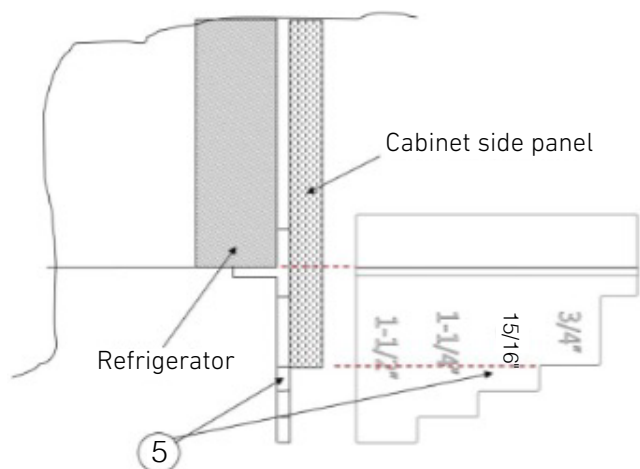
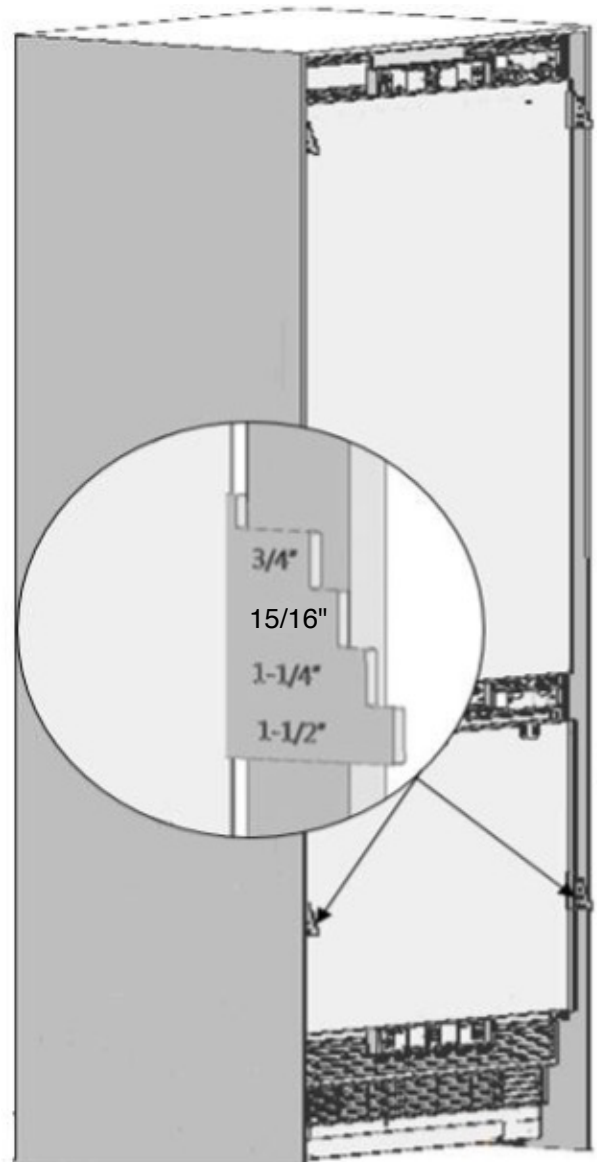
It is important to align the upper edge of the freezer drawer when aligning the unit, as its height and position are fixed. All of the other panels can be adjusted using the adjustment mechanisms built into the mounting hardware. As shown below, an installation depth template tool is provided for your convenience.

- Adjust the position of the level adjustment part (#5) based on the thickness of your door panel. Part #5 facilitates alignment of the unit to the side cabinets for 4 different door panel thicknesses.



WARNING:

On the French Door Bottom Mount REF36FDBZPNV model can only be mounted panels with a thickness up to 3/4" (19 mm)



**NOTE:**

The niche must be designed to accommodate the minimum depth requirement plus the thicker door panel, if desired. Regardless of door thickness, the maximum panel weights must always be respected, or the product warranty will be void.

**NOTE:**

Drilling a pilot hole in the side gable for reference could make the mounting process easier.

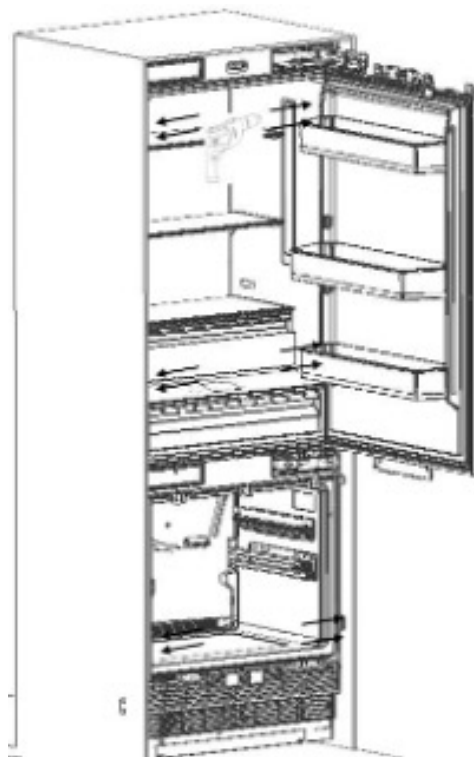
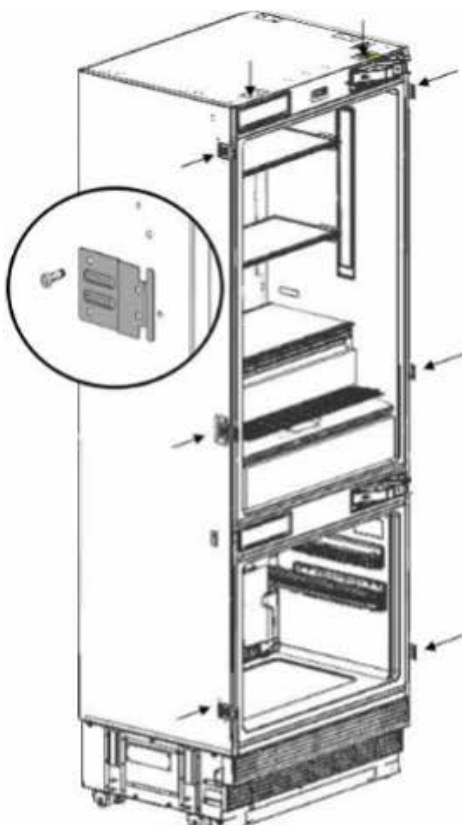
**SCREWING IN THE SIDE BRACKETS**

- Mount the side brackets (#12) on the unit, with 2 on the top and 3 on each side. Use 2 screws (#11) for each bracket to tighten them in place.

**WARNING:**

Before screwing the side brackets into the cabinet gables, ensure the screw is shorter than the gable thickness, otherwise the finished side may be damaged.

Before beginning to screw on the side and upper brackets, make sure that the unit is connected to power, that water (if applicable) is being supplied to the appliance and that the water connection has been tested for leaks.



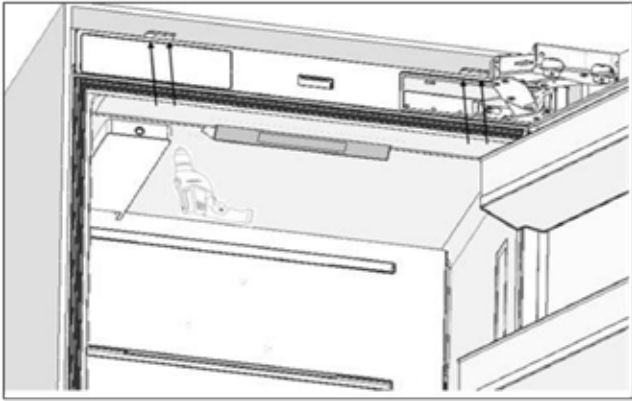
- Use 16 screws (#13) to join the brackets to the cabinet.

**NOTE:**

Drilling a pilot hole in the side gable for reference could make the mounting process easier.



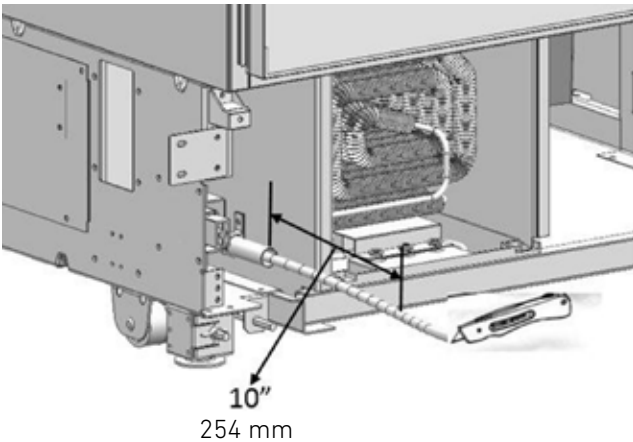
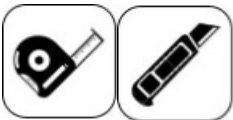
3. INSTALLATION INSTRUCTIONS



INSTALLING THE BOTTOM CABINET

Complete the water connection

- Use a cutter to cut off any excess waterline length, allowing sufficient slack of 10" (254 mm) to ensure an easy bend and clear connection, with no tension or potential kinks in the supply line that runs to the connector.



- Use 2 wrenches to firmly connect both the hose that runs from the supply and the connection to the valve on the refrigerator.

! WARNING: The hose that runs from the water supply must be one piece. Do not use extension hoses.

! WARNING: Make sure that the power is cut off when establishing the appliance's water connection.

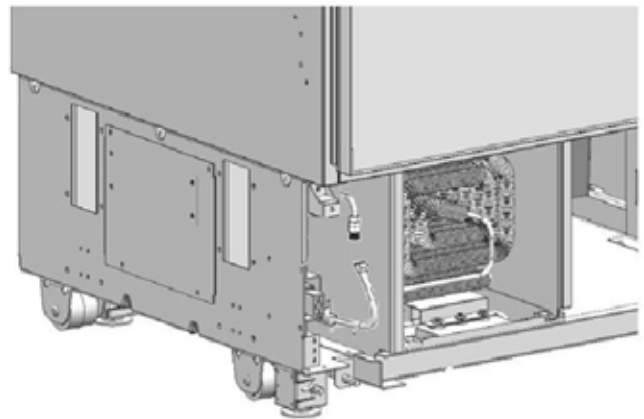
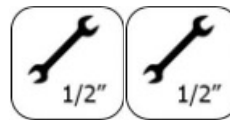
! WARNING: The water valve must be closed when connecting the water hose.

! WARNING: It is recommended to keep the water valve accessible after product installation.

! WARNING: This appliance is suitable for use with a cold potable water supply only.

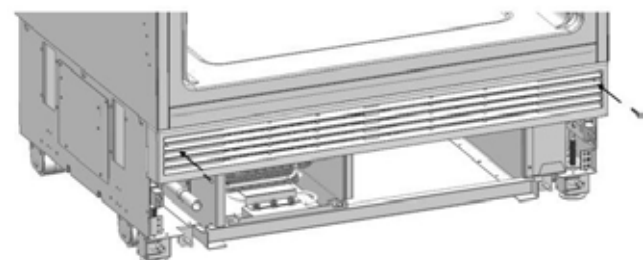
! WARNING: The pressure of the water system must be between 25-80 psi (1.7-5.5 Bar).

📎 NOTE: Once the connection is complete, you must open the water valve and make sure that there is no leakage.



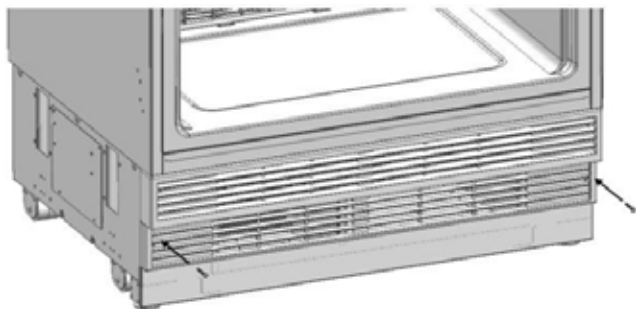
ATTACHING THE UPPER VENT APERTURE COMPONENT

- Use 2 screws to attach the upper vent aperture component.



ATTACHING THE LOWER VENT APERTURE ASSEMBLY

- Use 2 screws to attach the lower vent aperture component.



NOTE:

The lower grill can be adjusted to accommodate the cabinet toe kick. Also, a piece of decorative cabinet toe kick material can be affixed to the lower grill to match the cabinets, provided there is no obstruction to vent grills and air flow.

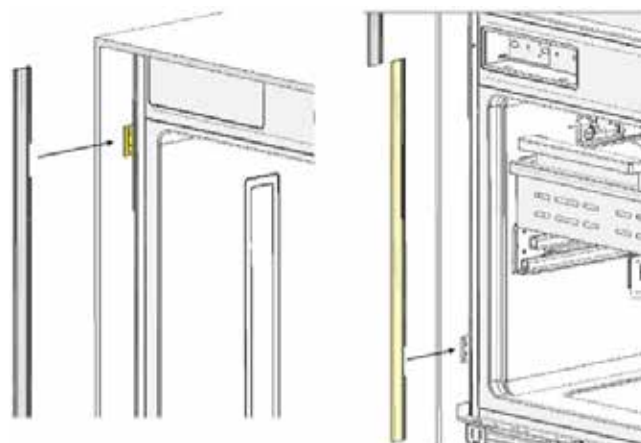


WARNING:

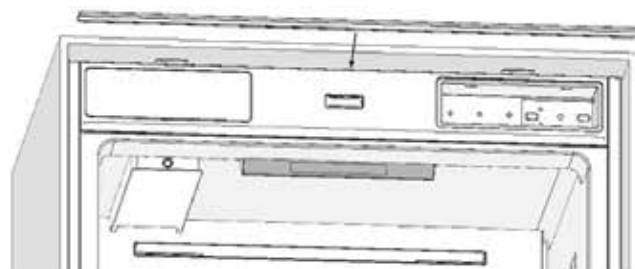
If installing a one-piece cabinet toe kick across the front of the fridge, you must ensure proper air flow and no obstruction to the vent grills.

ATTACHING THE DECORATIVE TRIM COVERS

- The decorative side trim is a soft plastic material with a barbed end intended to be inserted between the cabinet side and the appliance body (#1), onto the right/left connection brackets. Some trimming may be required to ensure the trim pieces can fit around the brackets; the thickness of the barbed end may also require trimming depending on the width of the gap between the side body and the cabinet gable.



- Push in the top trim (#4) on the upper connection bracket.



3.5 Overlay Panel Installation and Preparation

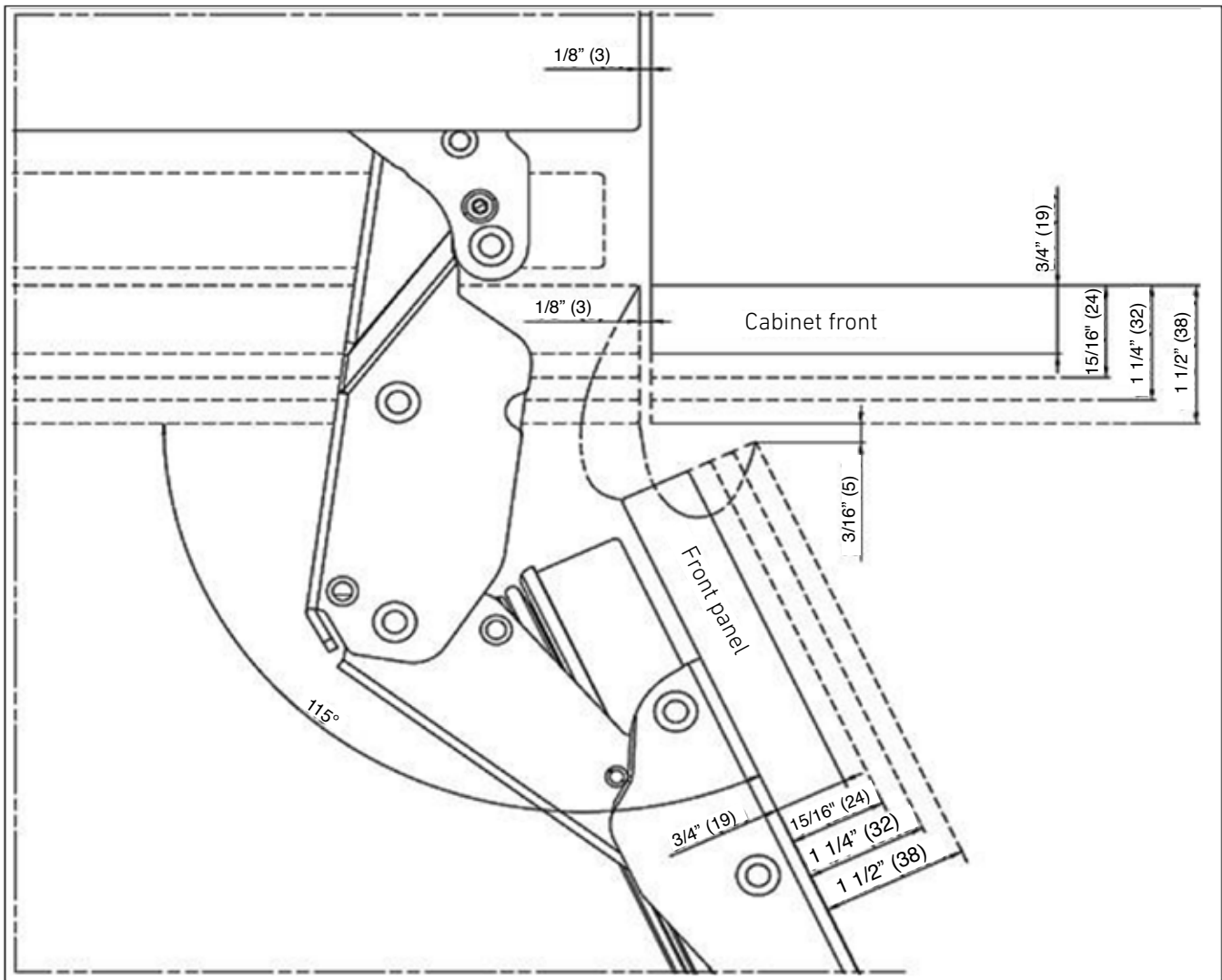
This section contains information about preparing the cabinet doors and mounting them on the product.



WARNING:

Maximum weights of the panels to be mounted on the unit are as follows:
 Bottom Mount Fridge Door: 35 lbs (16 kg)
 French Door Fridge Doors: 44 lbs (20 kg)
 Freezer Door: 20 lbs (9 kg)

3. INSTALLATION INSTRUCTIONS



CHOOSING THE DOOR THICKNESS

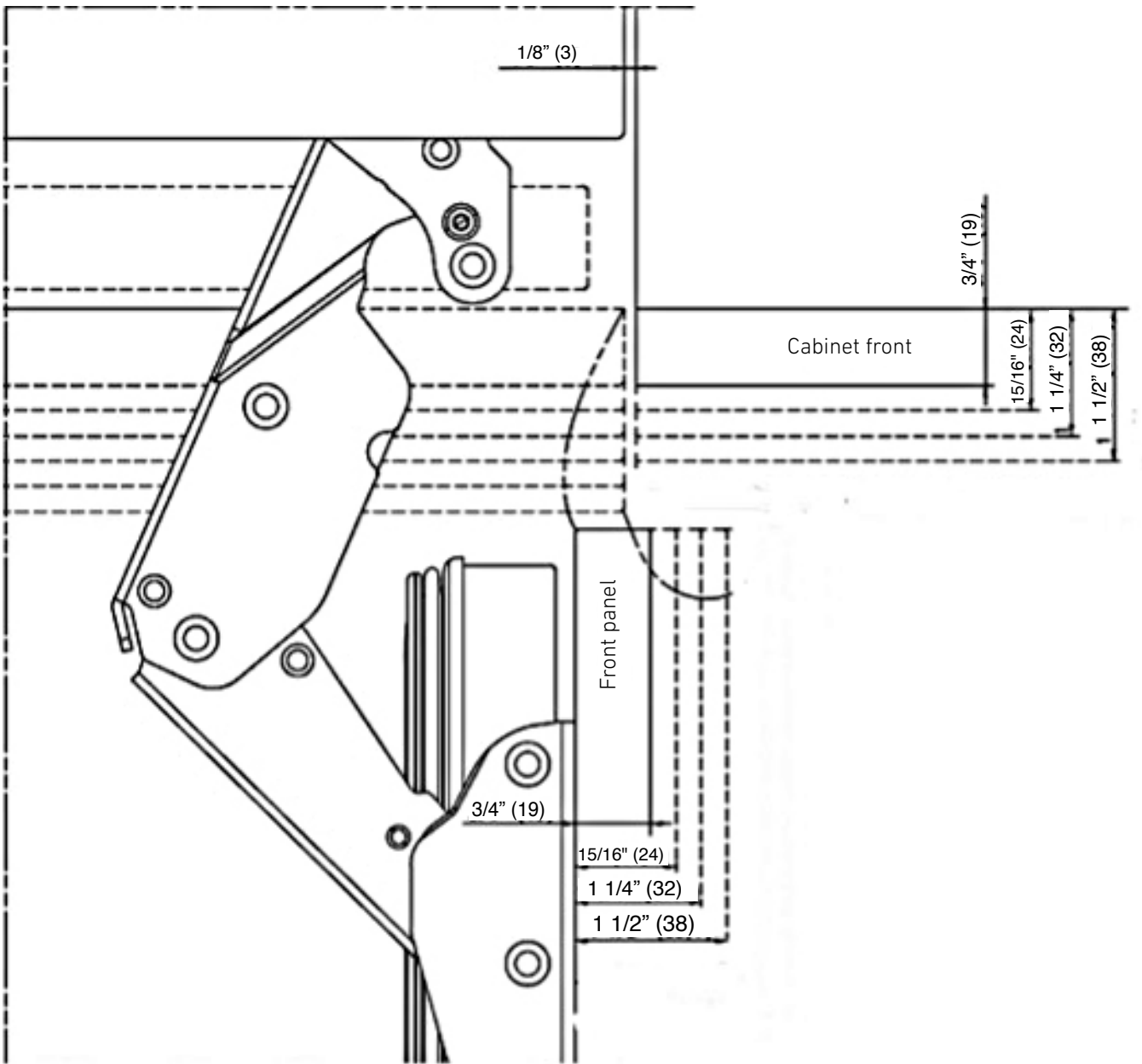
- The door of your refrigerator can open to 115° maximum. If you want the doors to open to this degree, you can choose from the thicknesses shown in the image above for all 2-door Bottom Mount refrigerators. For the 3-door French Door Bottom Mount, the only thickness available is 3/4" (19 mm).



WARNING:

If the door thickness is more than 1 1/2" (38 mm), the door should not open more than 90°. You must use a limiting pin on the hinge.

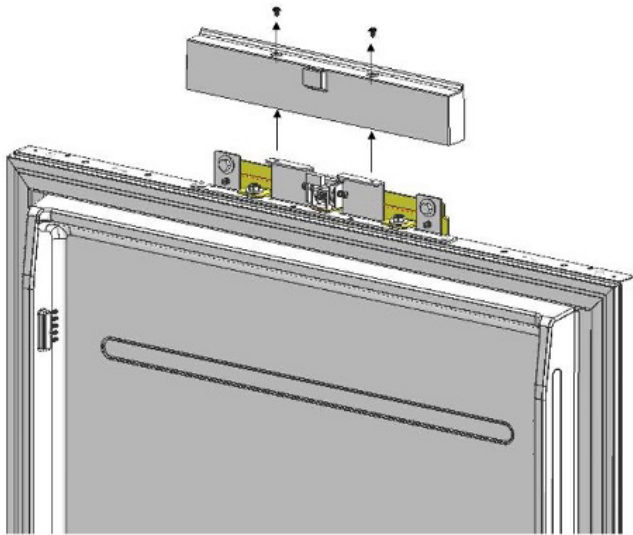
A limiting pin (#6) is provided with the unit to prevent the door from opening beyond 90° if necessary; it can be installed on the hinge. Door thickness allowances when using the limiting pin are shown in the diagram below.



3. INSTALLATION INSTRUCTIONS

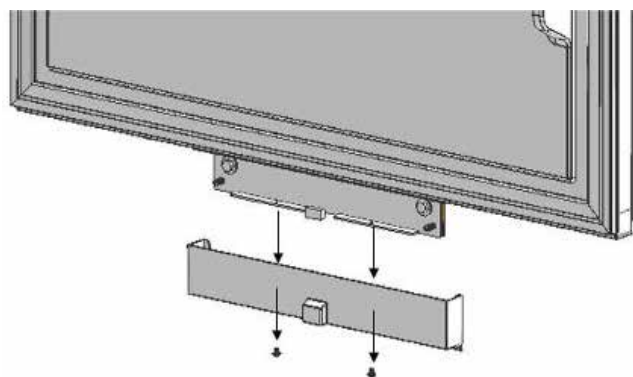
REMOVING THE OVERLAY PANEL MECHANISM COVERS

- Remove the upper screws to remove the upper cover.



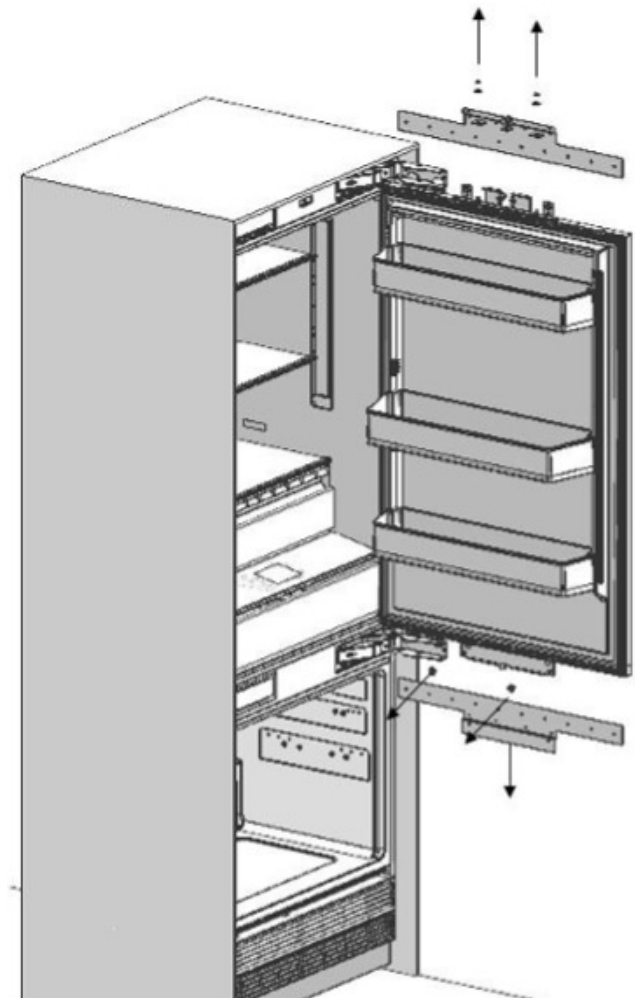
! WARNING: There is a magnet on the cover door hanger bracket. This is a functional component for product operation, because it activates the door open reed switch. Please ensure the covers do not get switched; put each back on the same bracket it was removed from. The magnet should not be switched with the lower cover.

- Remove the two screws to remove the door hanger bracket for the lower mechanism cover.



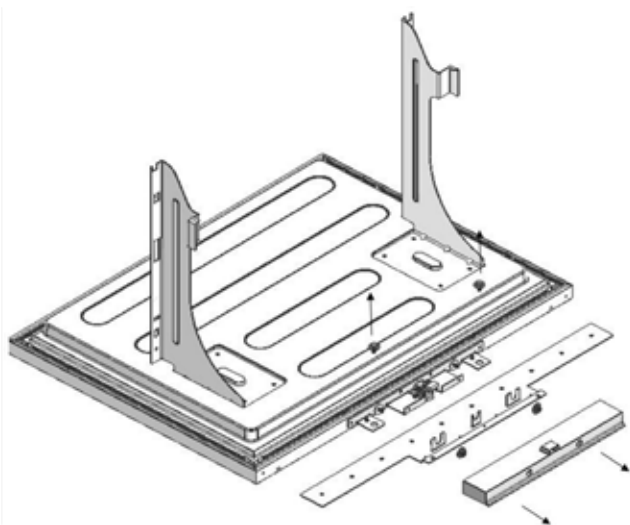
REMOVING THE PANEL BRACKETS

- Remove the upper and lower adjustable panel mounting brackets from the fridge door panel adjustment mechanisms, as shown below.



- Remove the covers for the panel adjustment mechanisms from the lower part of the freezer door along with the panel mounting brackets.



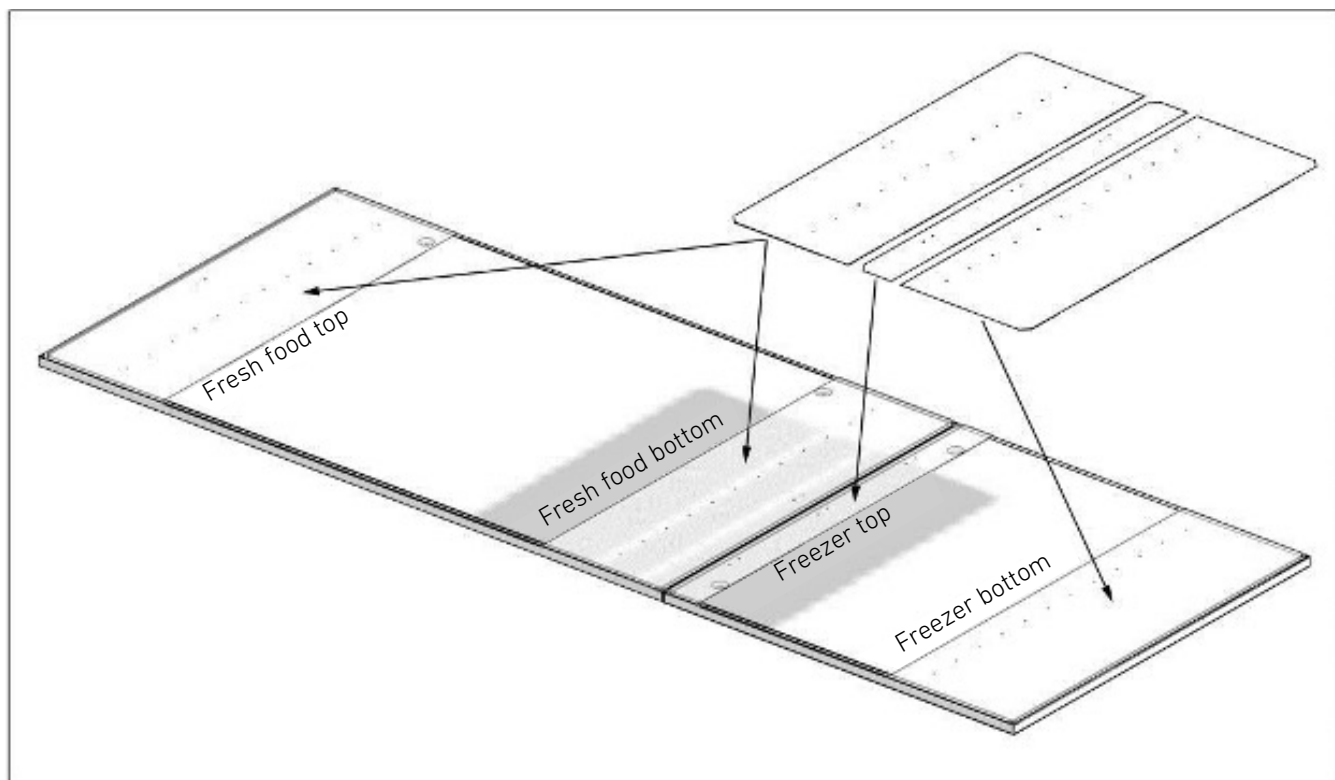


PREPARING THE OVERLAY PANELS



NOTE:

It is advisable to consider the dimensions of both panels and the mounting location when arranging the panel brackets on the overlay panels (cabinet door). When marking, you can use the door/drawer panel preparation template (#1) provided with the product.



WARNING:

The handle mounting holes will have to be adjusted based on the handles to be used in the kitchen design.

3. INSTALLATION INSTRUCTIONS



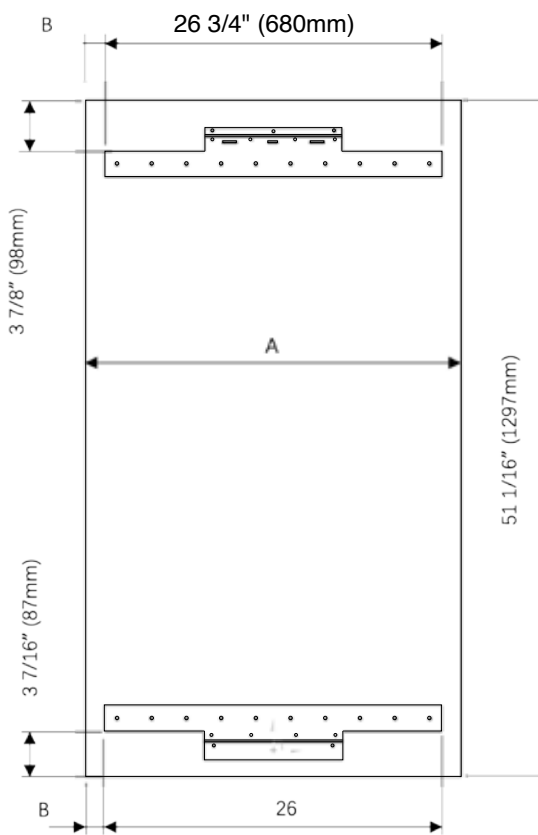
WARNING:

The minimum door thickness must be 3/4" (19 mm).

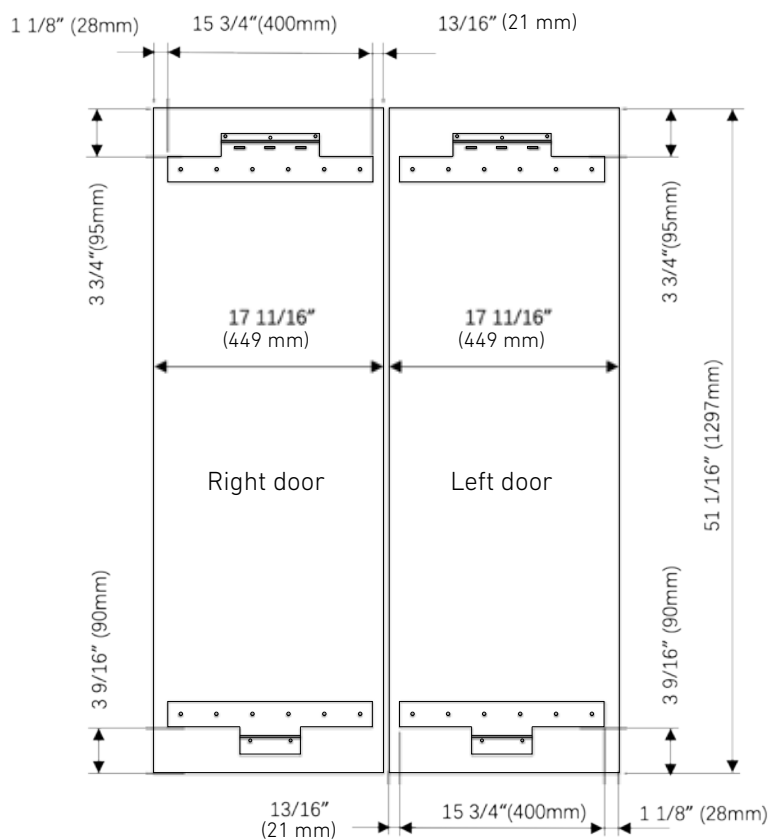
PREPARING THE FRIDGE DOOR PANEL

| Category | 30" built-in bottom mount | 36" built-in bottom mount |
|----------|---------------------------|---------------------------|
| A | 29 3/4" (756 mm) | 35 3/4" (908 mm) |
| B | 1 1/2" (38 mm) | 4 1/2" (114 mm) |

30" & 36" BUILT-IN BOTTOM MOUNT



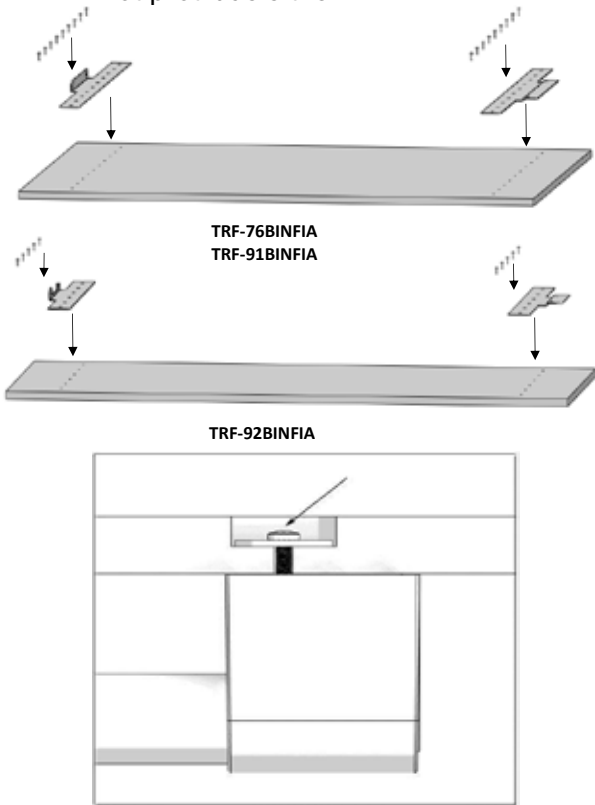
36" BUILT-IN FRENCH DOOR



WARNING:

- To prevent damage to the finished surface of the panel, use screws suitable for the door panel thickness.
- Install the panel brackets using screws (#18). You can also use the template (#1) provided with the product to align these parts. It is recommended to keep this template for future reference.
- The fridge door hanger sheet and fridge door upper mechanism assembly must be on the upper part of the door.
- Attach the door handle to the upper door panel prior to installing the panel on the fridge. Use handle hardware that

will ensure a secure connection to the panel and that will lie flush against or, in any case, not protrude from the back of the overlay panel. This may require countersinking the handle hardware into the back of the panel, as shown below. The door handle mounting screws must not protrude either.



WARNING:



The handle mounting holes will have to be adjusted based on the handles to be used in the kitchen design.

WARNING:



The minimum door thickness must be 3/4" (19 mm).

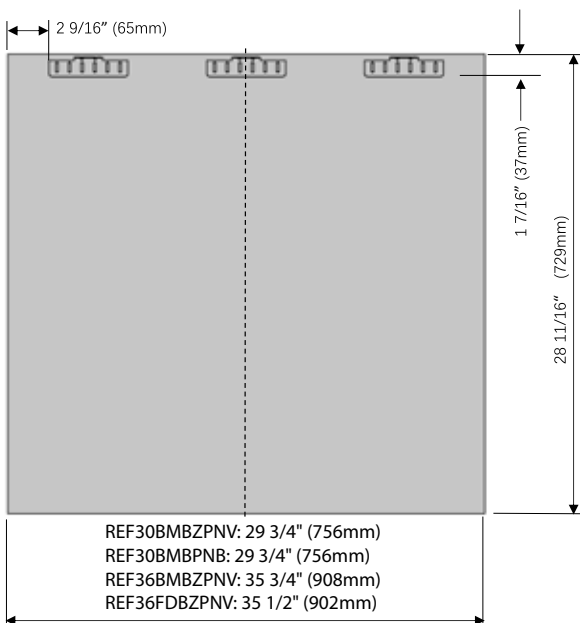
WARNING:



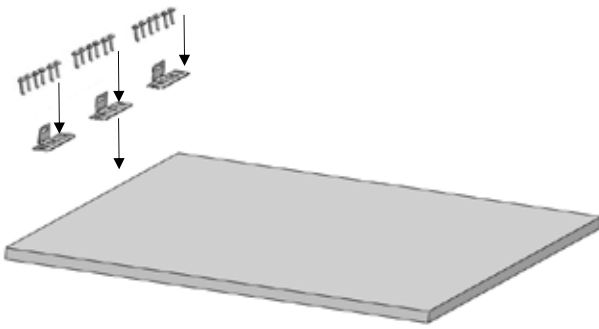
To prevent damage to the finished surface of the panel, use screws suitable for the door thickness.

- Attach the 3 freezer door hanger metal "L" brackets (#9) using 6 screws (#10) and 1 screw (#8) for each.

PREPARING THE FREEZER DRAWER PANEL

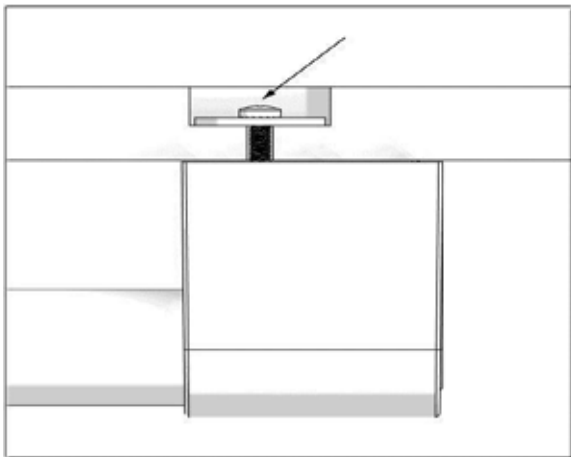


3. INSTALLATION INSTRUCTIONS



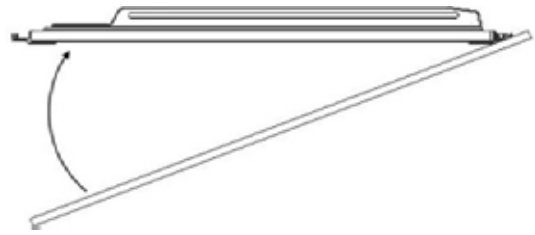
- Attach the door handle to the panel prior to installing the panel on the freezer. Use handle hardware that will ensure a secure connection to the panel and that will lie flush against or, in any case, not protrude from the back of the overlay panel. This may require countersinking the handle hardware into the back of the panel.

The door handle mounting screws must not protrude either.



INSTALLING THE FRIDGE DOOR PANEL

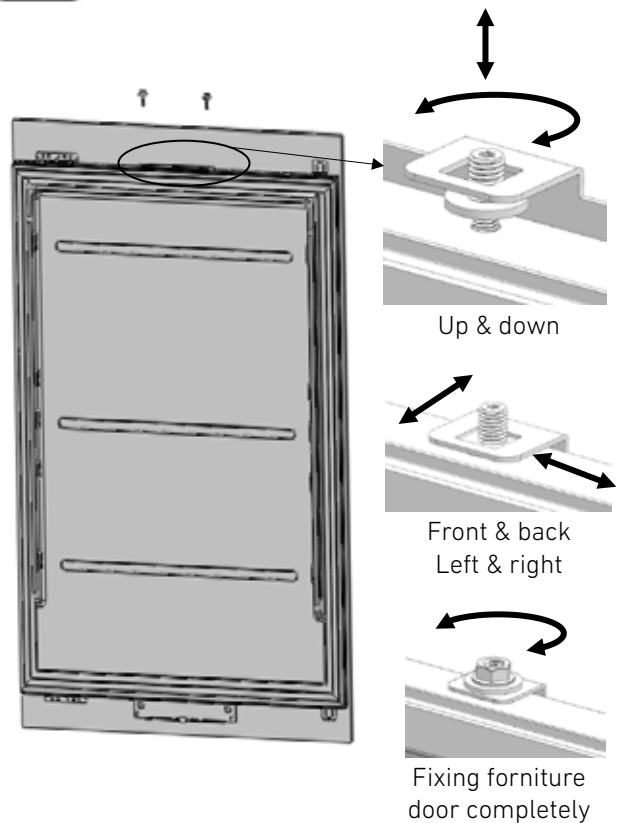
1. Attach the cabinet door to the fridge door.



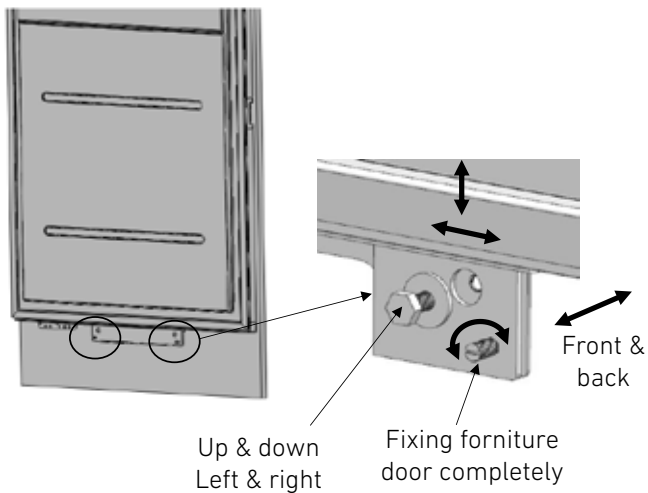
HOW TO ALIGN THE FRIDGE DOOR WITH BOLTS.

Position of the Furniture Doors to the kitchen furniture must be flush. To achieve this, you should adjust 3D direction using by two fixing bolt to perform fine adjustments. First of all, review the position of the grouped Furniture Doors against the kitchen furniture. Distances between furniture must be 1/8" (3 mm), assuming that the furniture dimensions are correct. You can make door adjustments based on this distance.

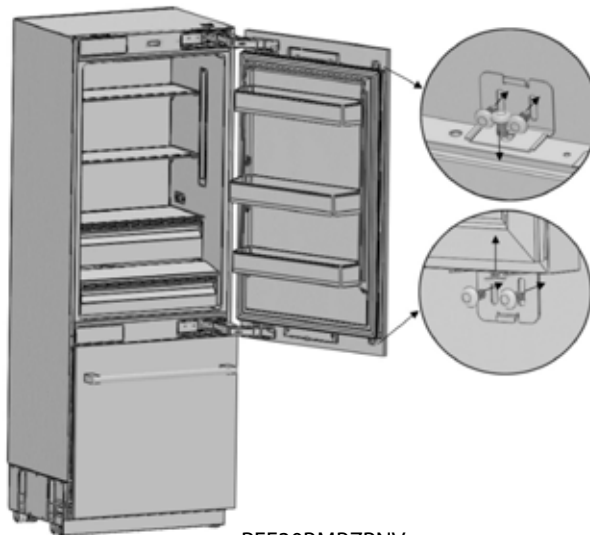
- How to align the furniture door upper part with bolts.



- How to align the furniture door lower part with bolts.

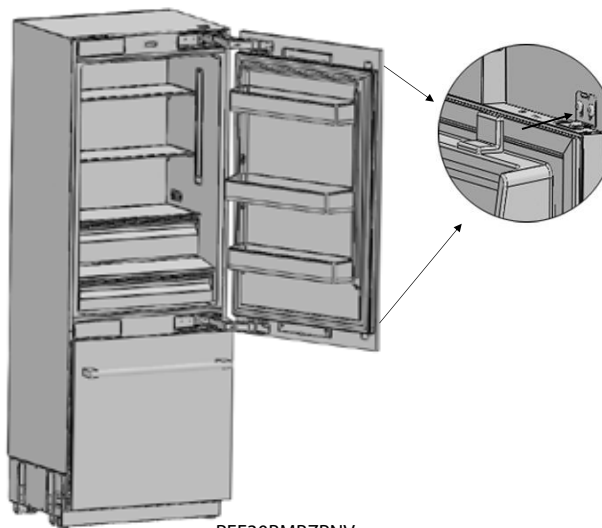


- Use the door-door furniture connecting bracket (Item #16) to join the furniture door
- Use 1 screw door fixing bracket (Item #15) to fix on the door.
- Use 2 screws (Item #17) to fix on the furniture door



REF30BMBZPNV
REF36BMBZPNV

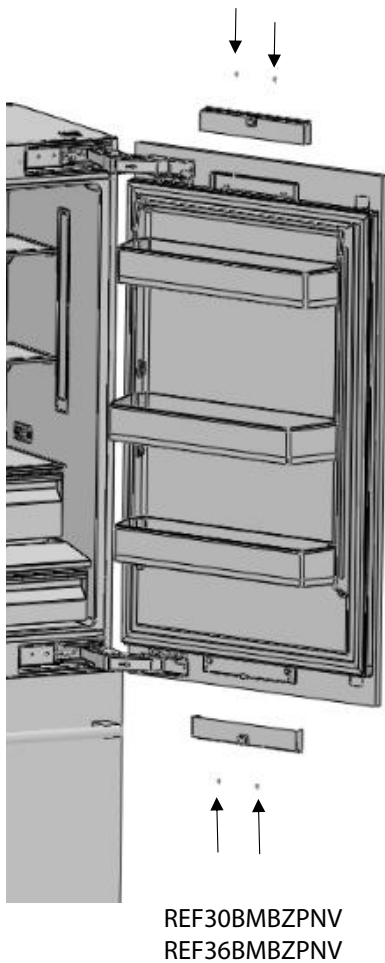
- Clip the cover furniture door bracket (Item #14).



REF30BMBZPNV
REF36BMBZPNV

3. INSTALLATION INSTRUCTIONS

- Attach and screw the upper/lower decoration cover.

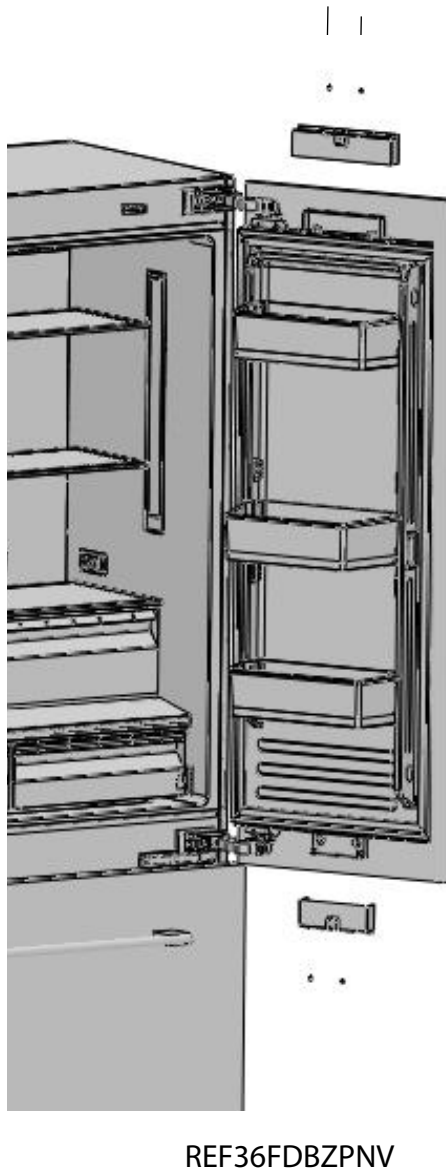


! WARNING:
There is a magnet on the cover door hanger bracket upper.

! WARNING:
This is a functional part for the operation of the product.

! WARNING:
It should not be confused with the lower cover.

- Attach and screw the upper/lower decoration cover.



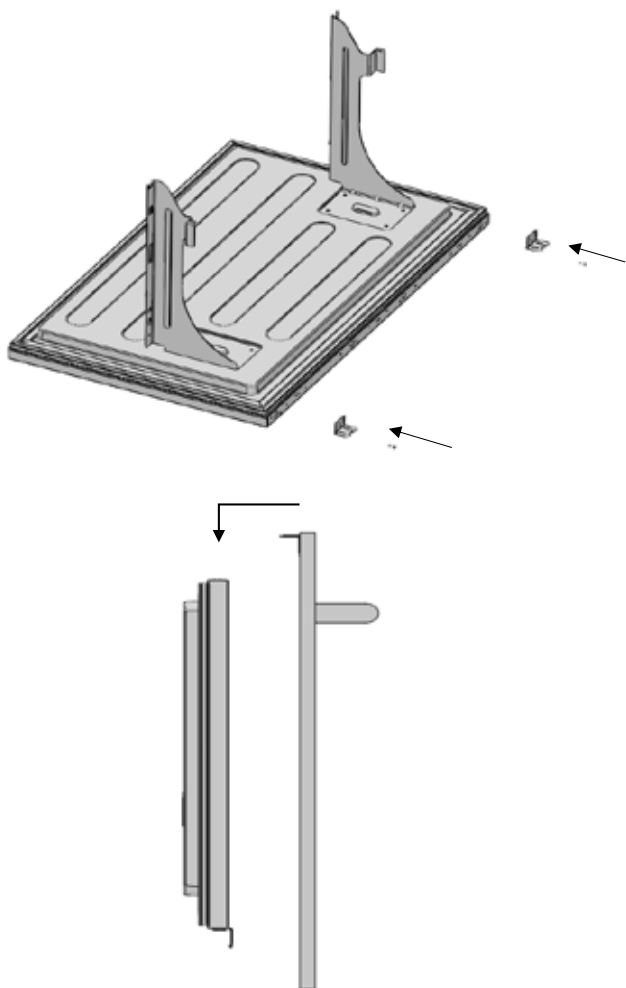
! WARNING:
There is a magnet on the cover door hanger bracket upper.

! WARNING:
This is a functional part for the operation of the product.

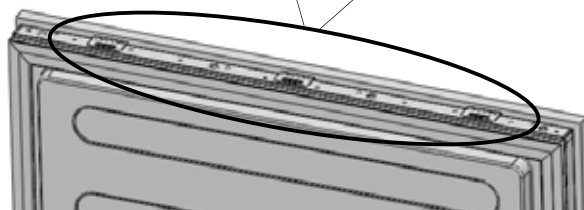
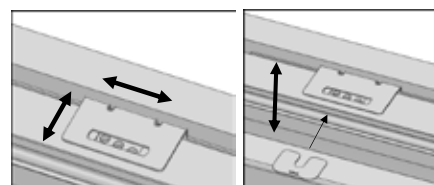
! WARNING:
It should not be confused with the lower cover.

INSTALLING THE FREEZING FURNITURE DOOR

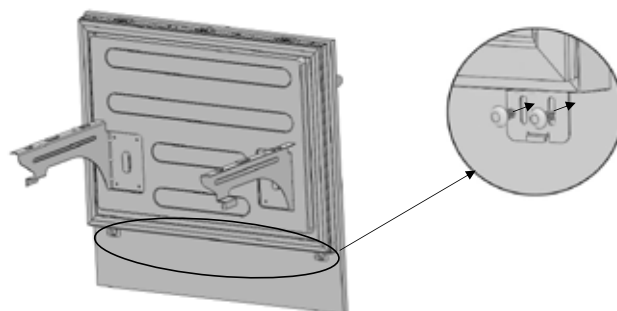
- Attach door-door furniture connecting bracket (Item #16) on the door lower part with screw door fixing bracket (Item #15)



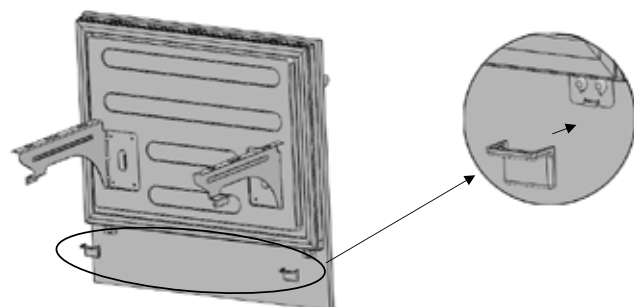
- Align the furniture door for the freezer drawer with the adjustment washer (#7).



- Use 2 screws (Item #17) to fix on the furniture door.



- Clip the cover furniture door bracket (Item #14).



3. INSTALLATION INSTRUCTIONS

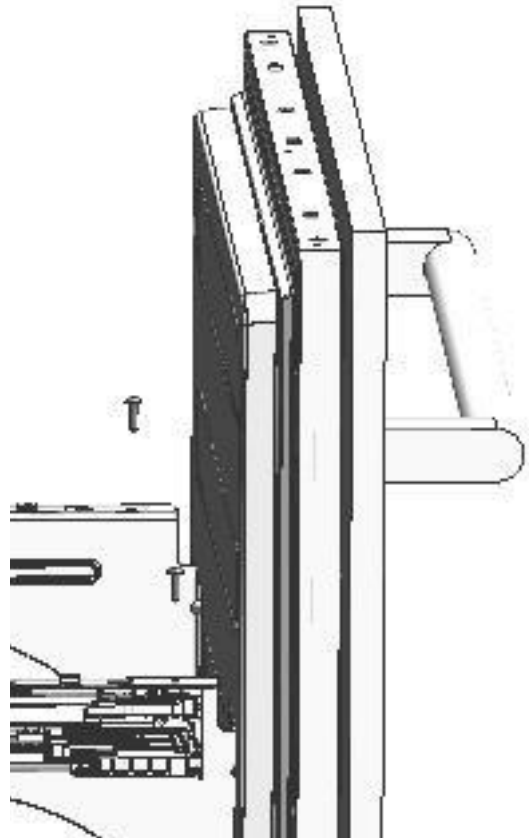
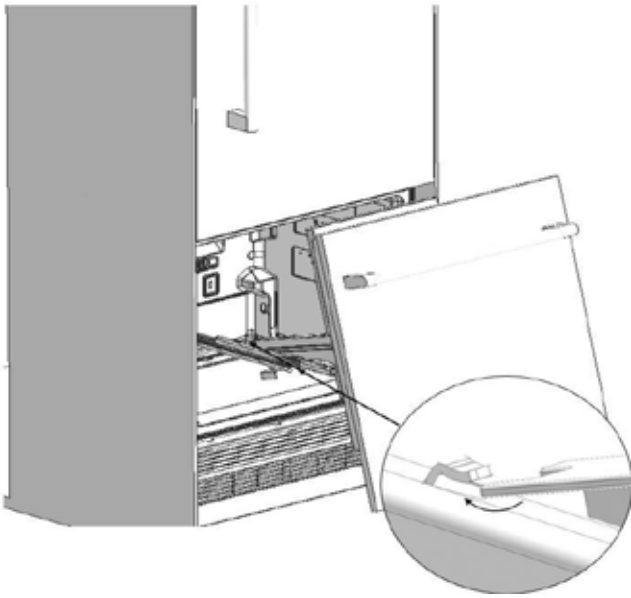


WARNING:

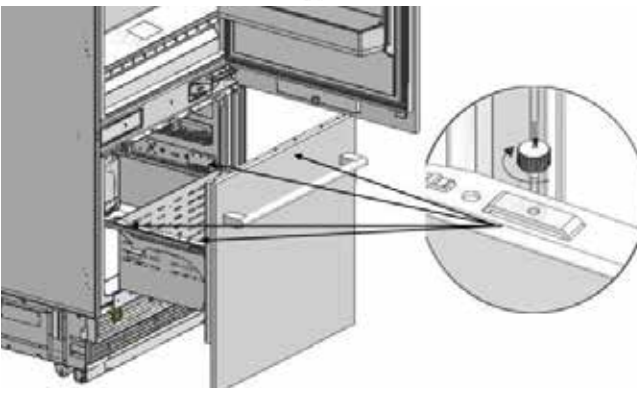
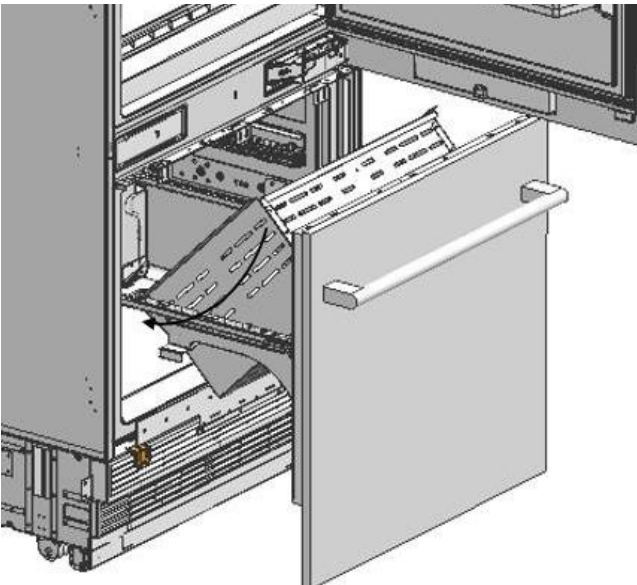
You must keep these parts for future use. You will need them if you want to change the door directions.

- Install the Freezer Furniture door assembly onto the rails.

- Fix the Freezer Furniture door assembly onto the rails with 2 screws.

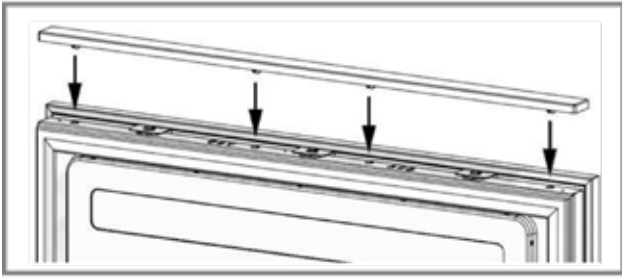


- Locate the drawer onto the rail and tighten the screws

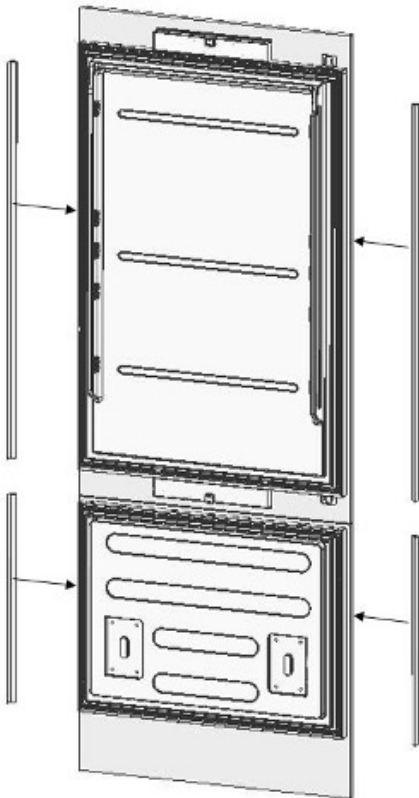
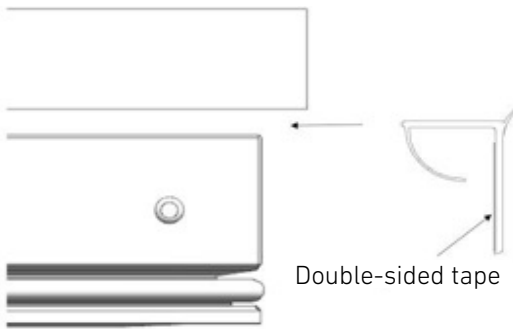


- Attach the cover freezing door top (Item #5) using the tabs.

3. INSTALLATION INSTRUCTIONS



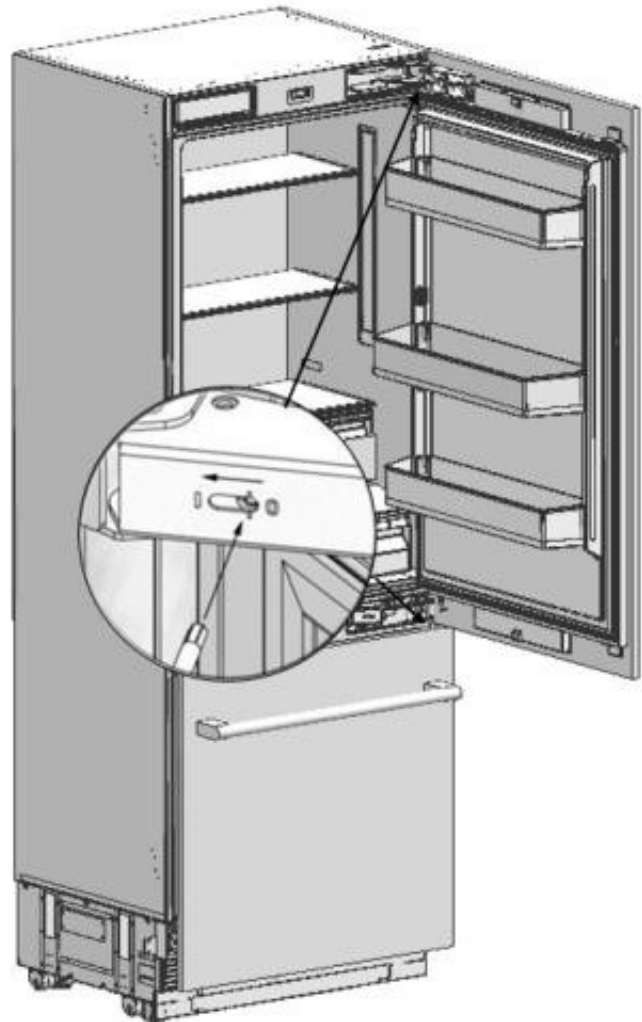
- Attach the decorative side trim seals (#2) and (#3). Note: side trim pieces may require some trimming if gap is too small to allow them to be pushed in; some force may be required. Remove the protective film from the double-sided tape to secure the trim to the front face of the fridge cabinet.



3.6 Hinge Adjustment and Reversing the Door Swing

ADJUSTING THE SPRING TENSION OF THE HINGES

- Use a drill to adjust the tension of the upper and lower hinges of the fridge door. Set the hinge adjustment screw to position "I" from position "O".



WARNING:

The door must be fully open during this adjustment.



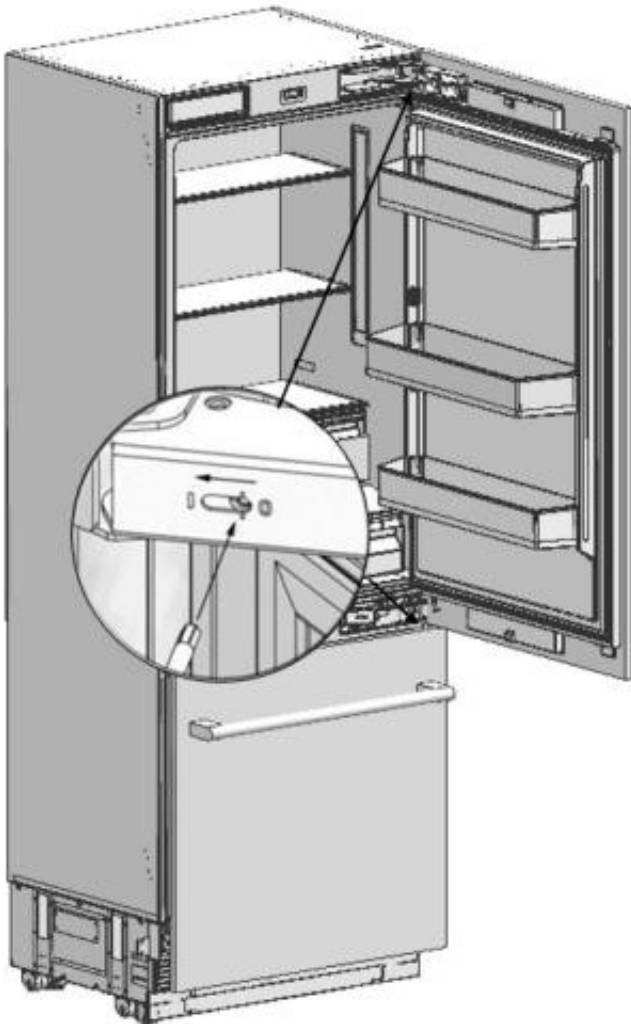
WARNING:

The hinge tension adjustment must be

performed only after the door panel has been adjusted.

REVERSING THE DOOR SWING

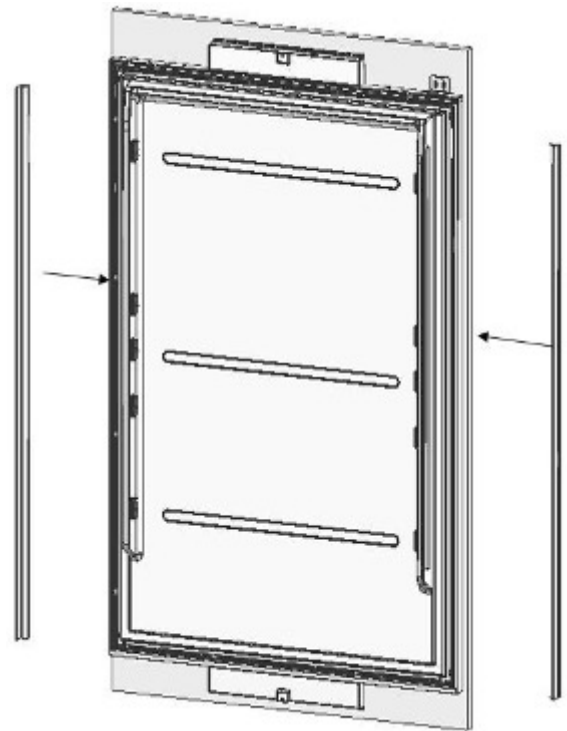
- Set the tension level of the hinge to "0".



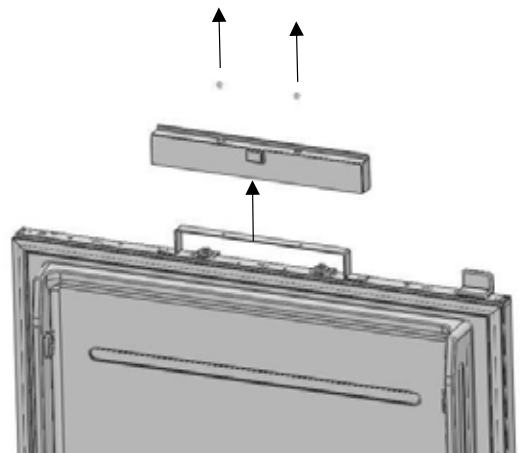
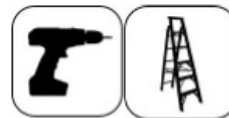
CAUTION:

Failure to set the hinge to "0" before continuing the installation may result in injury.

- Remove the side closing seals.



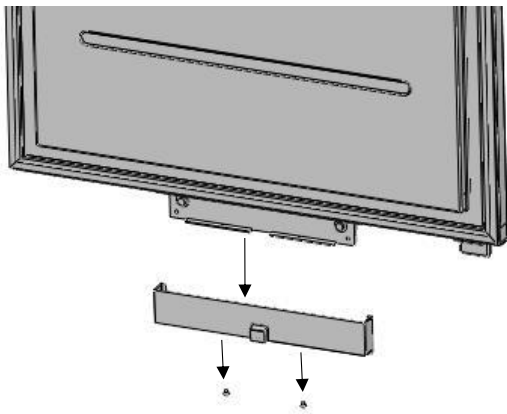
- Loosen the 2 screws in the upper cover of the fridge door and remove it.
- Take out the upper adjustment kits.



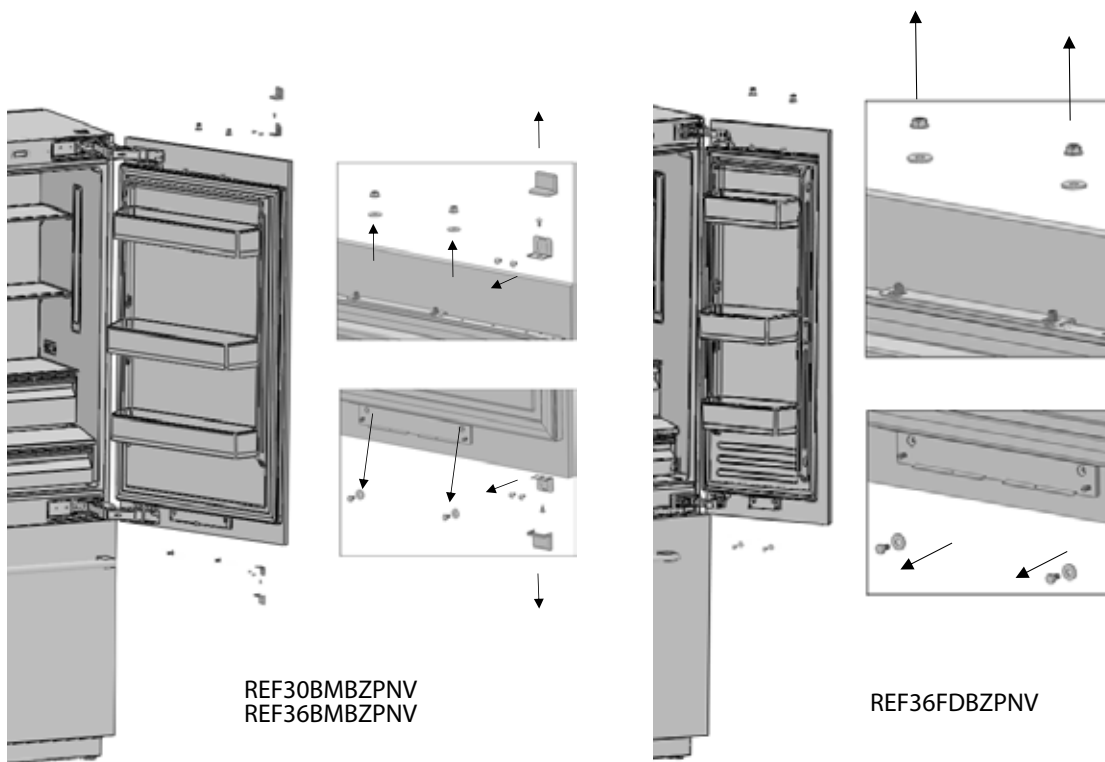
- Loosen the 2 screws in the lower cover of the fridge door and remove it.



3. INSTALLATION INSTRUCTIONS



- Remove the lower and upper bracket screws from the fridge.



- Remove the screw from the upper and from the lower fridge mechanism.

WARNING:



The fridge door panel will be released when these screws are removed.
You must take measures to prevent the door from falling.
You can tape the cabinet door to the inner door or ask a second person to help.

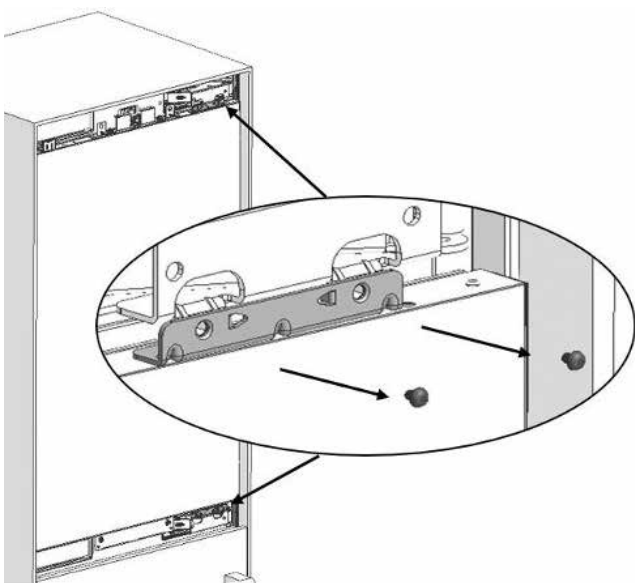
- Take off the fridge cabinet door and lay it upside down on a table top.
- You must attach the cabinet door by rotating it 180° with respect to its current position.

- Remove the hinge connection screws from the hinge brackets.

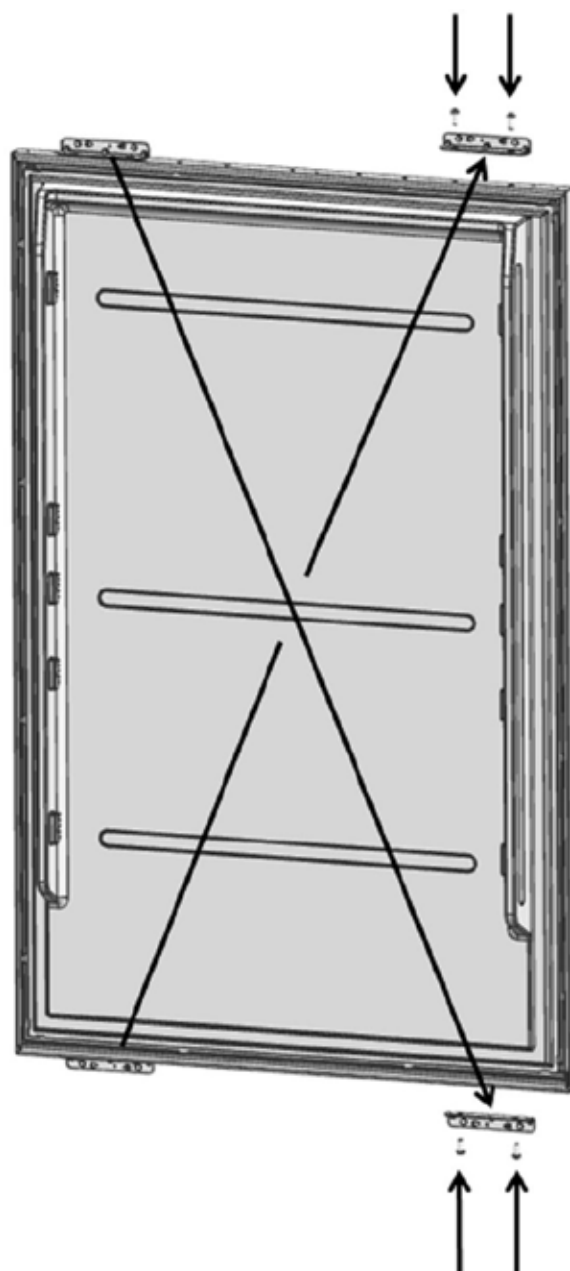


CAUTION:

The door will be released when these screws are removed. You must take measures to prevent the door from falling. You can tape the cabinet door to the inner door or ask a second person to help.

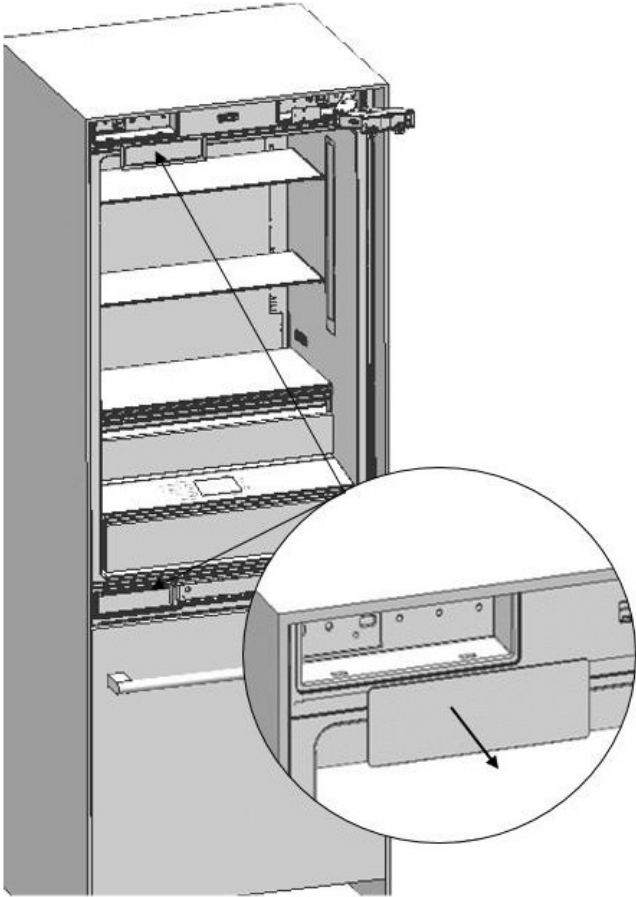


- Take off the fridge door and lay it on a table top, then remove the mounting components and screw them to the opposite side of the door.
- Use 2 screws to attach the hanger sheet.

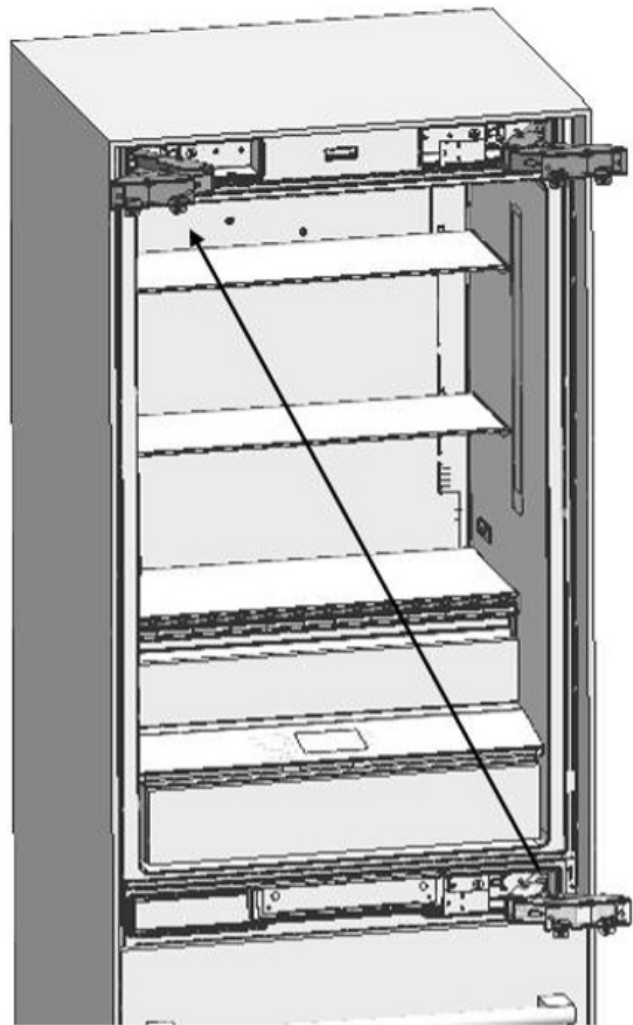


3. INSTALLATION INSTRUCTIONS

- Remove the hinge covers located on the other side, where you will mount the hinges.
- Remove the screw cover and the screws securing the hinges.

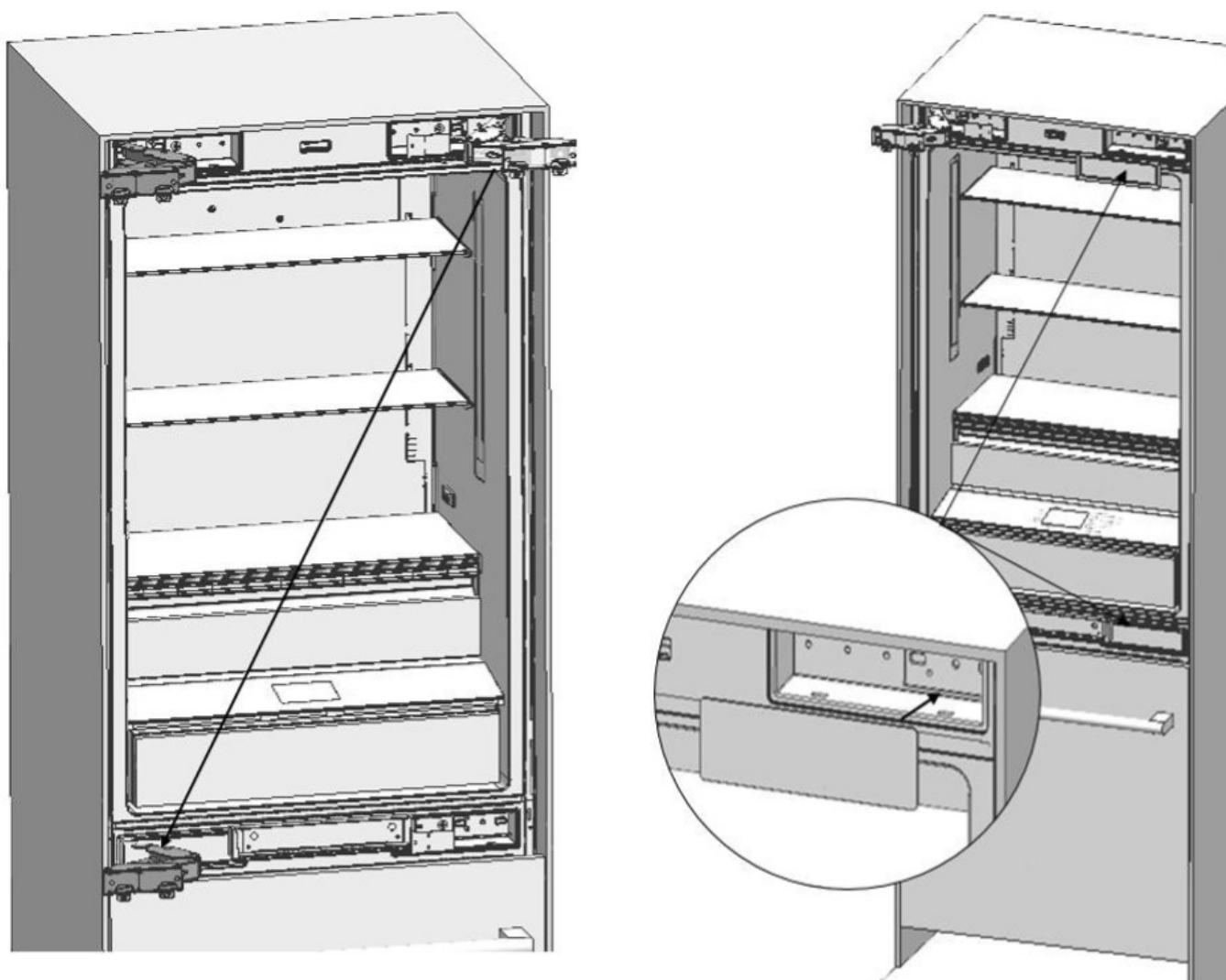


- Remove the lower right hinge by loosening its 2 screws and mount it in its slot on the upper left side.



- Remove the upper right hinge by loosening its 2 screws and mount it in its slot on the lower left side.





- Return the hinges' decorative screw caps to their places.
- Return the hinge pocket cover to the opposite side, where the hinges were removed.

3. INSTALLATION INSTRUCTIONS

- Place the fridge inner door on the refrigerator using the door seal to help hold the door in place and fasten it back onto the hinges using 4 screws.

