

BERTAZZONI

REFRIGERATOR
USER MANUAL

EN

MODE D'EMPLOI
RÉFRIGÉRATEUR

FR

MANUAL DEL USUARIO
REFRIGERADOR

ES



REF24BMFXNV



1 SAFETY INFORMATION AND WARNINGS	4
1.1 Safety of children and the vulnerable	4
1.2 General safety	4
1.3 Replacing the lights	5
1.4 Refrigerant	5
1.5 Electrical safety	5
1.6 Daily use	6
1.7 Precautions for cleaning and care	6
1.8 Precautions to take before installation	7
1.9 Service	7
2 INSTALLING YOUR NEW APPLIANCE	7
2.1 Installing your new appliance	7
2.2 Appliance ventilation	7
2.3 Leveling the appliance	8
3 REVERSING THE DOOR	8
3.1 Reversing the door	8
3.2 Tools you will need	8
4 DESCRIPTION OF THE APPLIANCE	12
5 DISPLAY CONTROLS	13
5.1 Internal display	13
5.2 Controlling the temperature	13
5.3 Super Freeze	13
5.4 The On/Off switch	13
6 HELPFUL HINTS AND TIPS	14
6.1 Energy saving tips	14
6.2 Tips for fresh food refrigeration	14
6.3 Tips for freezing food	14
6.4 Switching off your appliance	14
7 CLEANING AND CARE	15
7.1 Exterior cleaning	15
7.2 Interior cleaning	15
7.3 Cleaning the door seals	15
7.4 Replacing the LED light	15
8 DISPOSAL OF THE APPLIANCE	16
8.1 Packaging materials	16
8.2 Before disposing of the appliance	16
9 TWO YEAR LIMITED WARRANTY STATEMENT	18

1. SAFETY INFORMATION AND WARNINGS



For your safety and to ensure correct usage, read this user manual carefully, including its tips and warnings, before installing and using the appliance for the first time. To avoid unnecessary mistakes and accidents, it is important to make sure that all people using the appliance are entirely familiar with its operation and safety features. Keep these instructions safe and be sure that they remain with the appliance if it is moved or sold, so that anyone using it, throughout its service life, will be properly informed regarding its usage and safety information.

To protect against injury and property damage, heed the warnings provided with these user's instructions; the manufacturer is not liable for damages caused by failure to read and heed them.

1.1 Safety of children and the vulnerable

> According to EN standard:

This appliance may be used by children aged 8 years or older, by persons with reduced physical, sensory or mental capabilities or who lack experience and knowledge, provided that they are supervised or have been given instruction concerning the safe use of the appliance and understand the hazards involved. Children must not play with the appliance. Cleaning and user maintenance must not be performed by unsupervised children. Children between 3 and 8 years of age are allowed to load and unload items from refrigerating appliances.

> According to UL standard:

This appliance is not intended for use by children under the age of 3 or by persons (including children) with reduced physical, sensory or mental capabilities or who lack experience and knowledge, unless they are supervised or have been given instruction concerning the use of the appliance by a person responsible for their safety.

> Children should be supervised to ensure that they do not play with the appliance.

> Keep all packaging away from children, as it poses a suffocation hazard.

> When disposing of the appliance, unplug the appliance from the power outlet, cut the power cable (as close as possible to the appliance) and remove the doors in order to prevent children from playing with it, from receiving an electric shock or from closing themselves inside of it.

> If this appliance, featuring magnetic door seals, is replacing an older appliance with a spring lock (latch) on the door, be sure that the spring lock is broken before discarding the old appliance, in order to prevent any injuries.

1.2 General safety



Warning

This appliance is intended for use in residential settings and other similar applications, such as:

> staff kitchen areas in shops, offices and other working environments;

> farm houses, hotels, motels and other residential-type environments;

> bed and breakfast type environments;

> catering and similar non-retail applications.



Warning

Do not store explosive substances, such as aerosol cans with a flammable propellant, inside this appliance.



Warning

If the supply cord is damaged, it must be replaced by the manufacturer, its service agent or a similarly qualified person in order to ensure against hazards.



Warning

Keep ventilation openings in the enclosure where the appliance is housed or in the appliance itself free of obstructions.



Warning

Do not use mechanical devices or other means to accelerate the defrosting process unless they are recommended by the manufacturer.

**Warning**

Do not damage the refrigerant circuit.

**Warning**

Do not use electrical appliances inside the unit's food storage compartments unless these are of a type recommended by the manufacturer.

**Warning**

Both the refrigerant and the insulation-blowing gas are flammable. When disposing of the appliance, do so only at an authorized waste disposal center. Do not expose the appliance to an open flame.

**Warning**

When positioning the appliance, make sure that the power cord does not become trapped or damaged.

**Warning**

Do not place multi-outlet power strips or portable power supplies at the rear of the appliance.

1.3 Replacing the lights

**Warning**

The lights must not be replaced by the user! If the lights are damaged, contact the customer helpline for assistance.


1.4 Refrigerant

The appliance's refrigerant circuit contains the refrigerant isobutane (R600a), a natural gas with a high degree of environmental compatibility, which is nevertheless flammable. During transportation and installation of the appliance, be certain that none of the components of the refrigerant circuit become damaged. The refrigerant (R600a) is flammable.

**Warning**

Refrigerators contain refrigerant, as well as gases in the insulation. Refrigerant and gases must be disposed of professionally, as they may cause eye injuries or ignite. Ensure that the refrigerant circuit tubing is not damaged prior to proper disposal.



The symbol  is a warning and indicates that the refrigerant and insulation-blowing gas are flammable.

WARNING: Fire hazard / Flammable materials

If the refrigerant circuit becomes damaged:

> Avoid open flames and sources of ignition.

> Thoroughly ventilate the room in which the appliance is situated.

It is dangerous to alter the specifications of or modify this product in any way.

Any damage to the cord may cause a short circuit, fire, and/or electric shock.

1.5 Electrical safety



- 1) Do not use an extension cord with this appliance.
- 2) Make sure that the power plug is not crushed or damaged. A crushed or damaged power plug may overheat and cause a fire.
- 3) Make sure that you can access the plug connecting the appliance to the domestic power source.
- 4) Do not tug on the power cable.
- 5) If the power outlet is loose, do not insert the power plug. There is a risk of electric shock or fire.
- 6) You must not operate the appliance without the interior lighting covers in place.

7) The fridge can only operate using a single phase alternating current power supply of 115V/60Hz. If fluctuation in voltage in the user's area is so great that the voltage exceeds the above range, for safety's sake be sure to install an AC automatic voltage regulator of greater than 350W for the fridge. The appliance should be plugged into a dedicated circuit and a non-GFCI or non-arc-fault protected power outlet. Its plug must match the outlet, which must be equipped with a ground wire.

1.6 Daily use

- > Do not store flammable gas or liquids in the appliance, as this would create an explosion hazard.
- > Do not operate any electrical appliances inside the appliance (electric ice cream makers, mixers, etc.).
- > When unplugging, always pull the plug directly from the power outlet; do not pull on the cable.
- > Do not place hot items near the appliance's plastic components.
- > Do not place food products directly against the air vent on the rear wall.
- > Store pre-packaged frozen food according to the frozen food manufacturer's instructions.
- > Storage recommendations should be strictly followed. See the relevant storage instructions.
- > Do not place carbonated or fizzy drinks in the freezer compartment, as this creates pressure in the container which may cause it to explode, resulting in damage to the appliance.
- > Frozen foods can cause frost burns if consumed straight from the freezer compartment.
- > Do not situate the appliance in direct sunlight.
- > Keep candles, lamps and other objects with open flames away from the appliance, as they may cause it to ignite.
- > The appliance is intended for storing food and/or drinks in normal domestic settings. Be careful when moving the appliance, as it is heavy.

- > Do not remove or touch items from the freezer compartment if your hands are damp/wet, as this could cause skin abrasions or frost burns.
- > Never use the base, drawers, doors, etc. to stand on or as supports.
- > Frozen food must not be refrozen once it has been thawed.
- > Do not consume ice lollies or ice cubes straight from the freezer, as this can cause frost burns on the mouth and lips.
- > To avoid items falling and causing bodily injury or appliance damage, do not overload the door racks or overfill the crisper drawers.
- > This refrigerating appliance is not intended to be used as a built-in appliance.
- > Keep medications away from the freezer compartment and away from the air vents, so as to avoid the formation of ice crystals that could damage the medications. Do not store medications on the refrigerator door, as they will be exposed to uneven temperatures every time the refrigerator door is opened.

1.7 Precautions for cleaning and care



- > Before performing maintenance, switch off the appliance and disconnect the power plug from the power outlet.
- > Do not use metal objects, steam cleaners, essential oils, organic solvents or abrasive cleansers to clean the appliance.
- > Do not use sharp objects to remove frost from the appliance; always use a plastic scraper instead.

1.8 Precautions to take before installation

- > To connect to a power source, carefully follow the instructions provided in this manual. Unpack the appliance and check if it has any damage.
- > Do not connect the appliance if it is damaged. Report any possible damage immediately to the place where you purchased the appliance. In such an event, save the packaging.
- > It is advisable to wait at least four hours before connecting the appliance to power, in order to allow the oil to flow back into the compressor.
- > There must be adequate air circulation around the appliance in order to prevent overheating. To ensure there is sufficient ventilation, follow the installation instructions.
- > Where possible, the back of the product should not be put too close to a wall; otherwise, components such as the compressor and the condenser may overheat. To avoid fire hazards, follow the installation instructions.
- > The appliance must not be situated close to radiators or a kitchen range.

> Make sure that the power plug will be accessible once the appliance is installed.

1.9 Service

- > Any electrical work required in order for the appliance to operate should be carried out by a qualified electrician or other qualified person.
- > This product must be serviced by an authorized Service Center, and only original spare parts must be used:

- 1) if the appliance is Frost Free.
- 2) if the appliance contains a freezer compartment.

2.1 Installing your new appliance

Before using the appliance for the first time, you should be familiar with the following information.

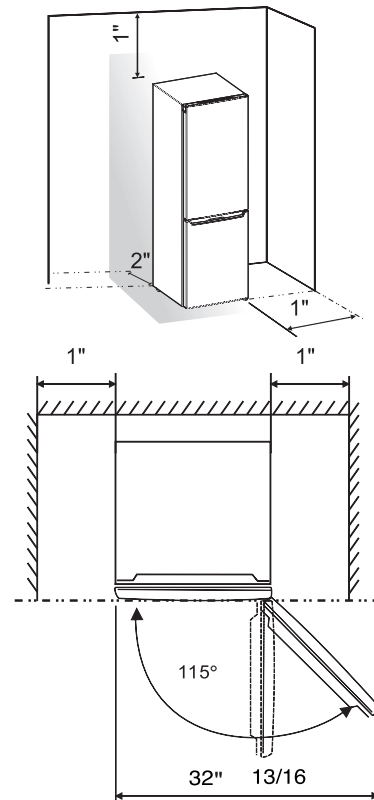
2.2 Appliance ventilation



Note

In order to improve the energy efficiency of the cooling system, it is necessary to maintain good ventilation around the appliance in order for heat to dissipate. For this reason, sufficient clearance should be left around the refrigerator.

It is advisable to leave a 2" clearance at the back of the appliance, at least 1" between its top and the ceiling/ other cabinets, at least 1" between its sides and walls/ cabinets and a clear space in front to allow the doors to open to 115°, as shown in the following diagrams.



3. REVERSING THE DOOR



Note

> This appliance is intended to operate in the climate class ranging between 55~110°F. It may not work properly if left at a temperature above or below the indicated range for a long period.

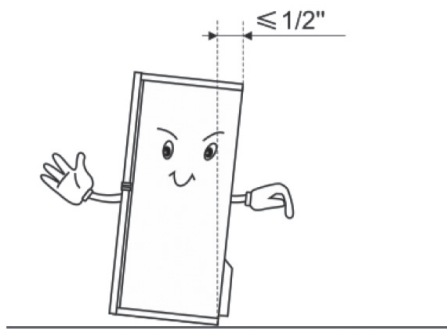
> Install your appliance in a dry place to avoid high moisture.

> Keep the appliance away from direct sunlight, rain and frost. Situate the appliance away from heat sources such as stoves, fires or heaters.

2.3 Leveling the appliance

> In order to ensure that the appliance is level and that air circulation at the lower rear section of the appliance is sufficient, the bottom feet may need to be adjusted. You can adjust them by hand or using an appropriate wrench.

> To allow the doors to self-close, tilt the top backwards about 1/2 ".



3.1 Reversing the door

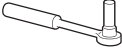



The side at which the door opens can be changed, from the right side (as supplied) to the left side, if the installation site requires it.



Warning!

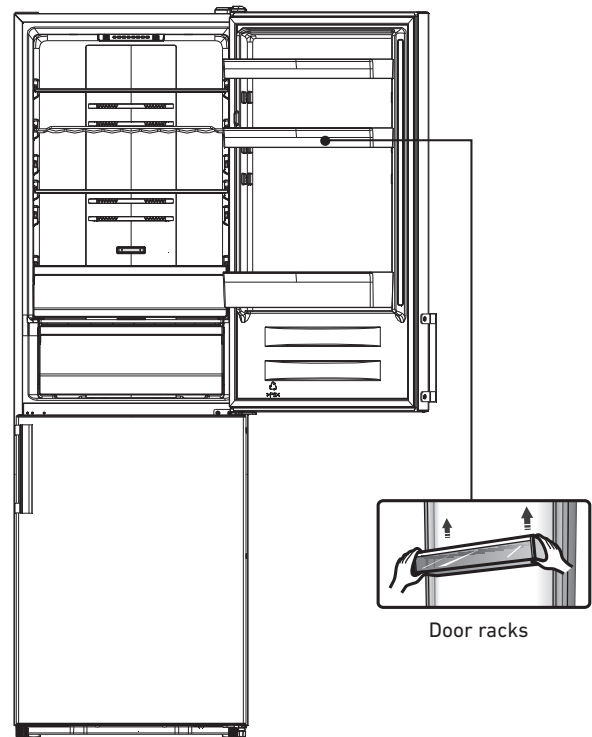
When reversing the door, the appliance must not be connected to domestic power. Ensure that the plug is removed from the power outlet.

3.2 Tools you will need

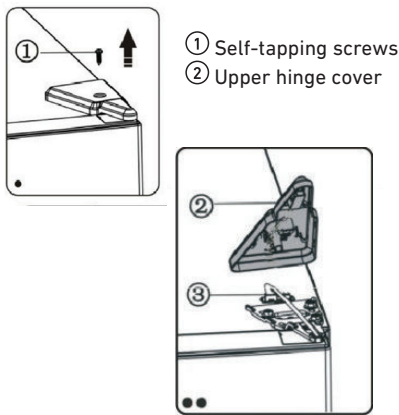
Not provided	
	
8mm socket wrench	Flat-bladed screwdriver
	
Phillips screwdriver	8mm wrench

> When required, tilt the refrigerator back in order to gain access to the base; rest the appliance against soft foam packaging or similar material to avoid damaging the refrigerator's backboard. To reverse the door, the following steps are generally required. Different models may correspond to different images. Models will be identified in the images. If certain parts are not shown in an image, please ignore any description pertaining to them.

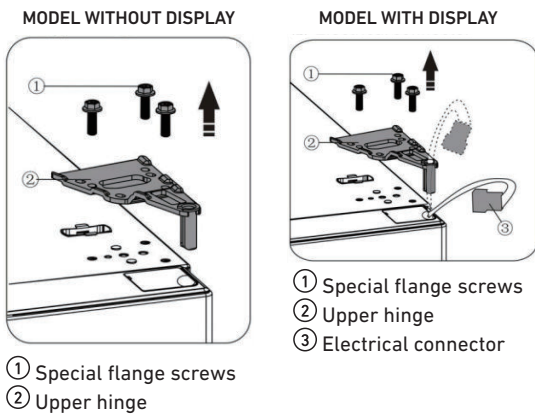
1) Stand the refrigerator upright. Open the upper door to take out all of the door racks (to prevent them from being damaged) and then close the door.



2) Remove part ① and free part ② from the top right side of refrigerator.



3) Remove the screws ① and hinge ②. If the refrigerator has an on-door display, you will have to pass the connector ③ through the hinge ② hole. (Please hold the upper door with your hand when installing).

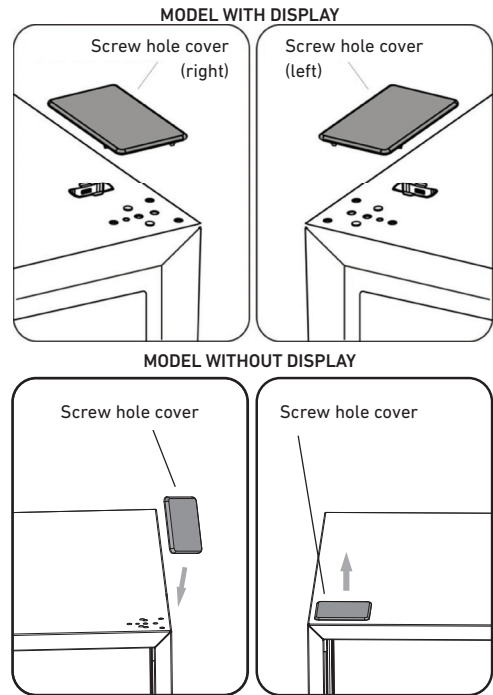


4) Free the upper door from the middle hinge by carefully lifting the door straight up. Then place the upper door on a smooth surface with its upper cover facing upwards.

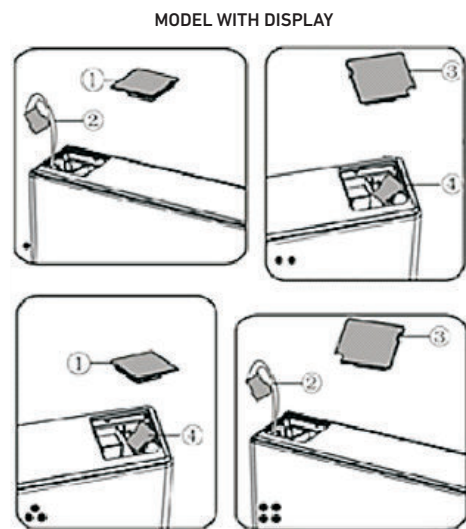


5) If the refrigerator has an on-door display, take a screw hole cover (right) from the plastic bag and install it on the top right side of the refrigerator body. Then remove the screw hole cover (left) from the top left side of the appliance and put it into the plastic bag. If the refrigerator has an internal display, pull out the

screw hole cover from the left side and install it on the right side.

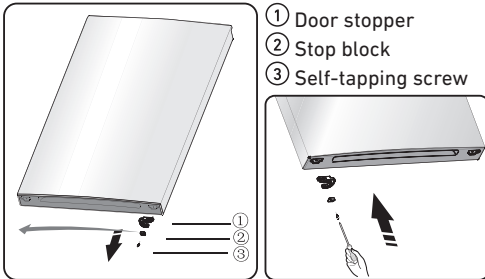


6) If the refrigerator has an on-door display, remove part ① from the top left side of the upper cover and take out part ②. Then remove part ③ and put part ④ into the top right side of the upper cover. Using the above operation as reference, install part ③ and part ④ on to the top left side of the upper cover. Install part ① on the top right side of the upper cover. If the refrigerator has an internal display, skip this step.

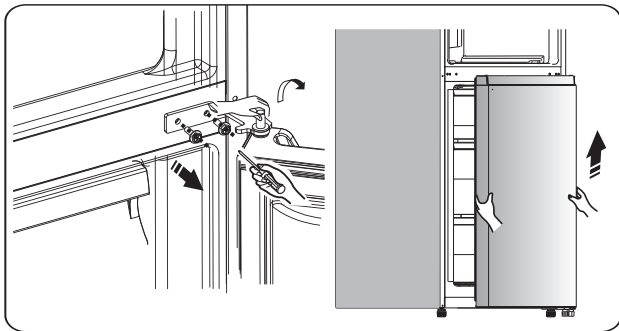


- ① Corner Cover (left)
- ② Electrical connector (left)
- ③ Corner Cover (right)
- ④ Electrical connector (right)

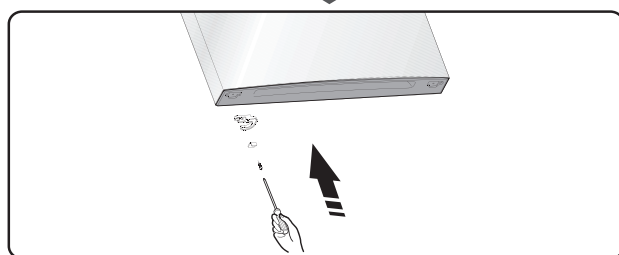
7) Loosen the screw ③ and take down part ② and part ①; install the replacement door-stopper (left) ④ provided (in the plastic bag) and part ② (stop block) on the left side, using the screw ③. Keep part ① with the appliance for future reference.



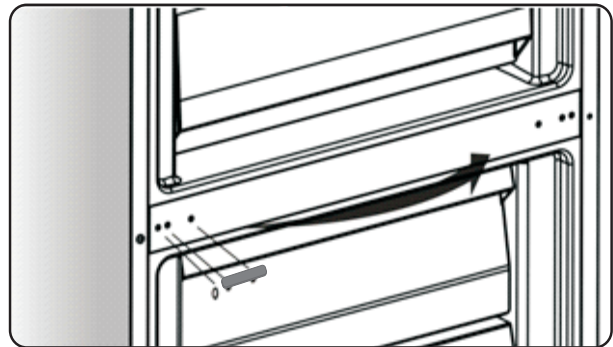
8) Loosen the screws used to secure the middle hinge and remove the middle hinge. Then remove the lower door.



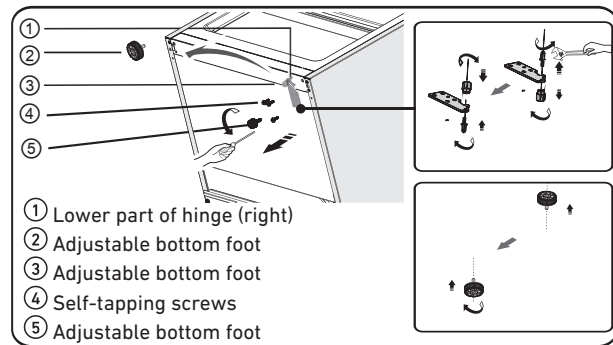
9) Place the lower door on a smooth surface with its panel facing upwards. Loosen the screw ③ and take down part ② and part ①, install the replacement door stopper (left) ④ provided (in the plastic bag) and part ② (stop block) on the left side, using the screw ③. Keep part ① with the appliance for future reference.



10) Move the screw hole covers on the middle cover plate from left to right (as shown in the figure below).

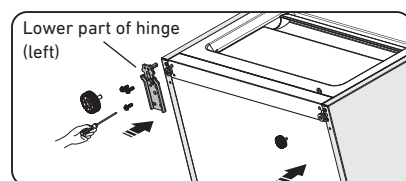


11) Tip the refrigerator backwards and remove part ②.

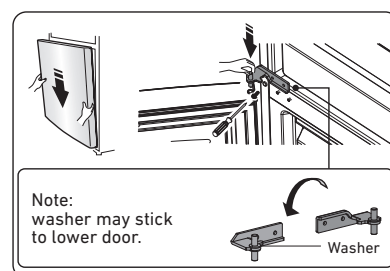


12) Remove part ③ from the lower hinge pin, free and remove the lower hinge pin, move it to the reverse hole site and tighten it into position. Then install part ③ on the lower hinge pin.

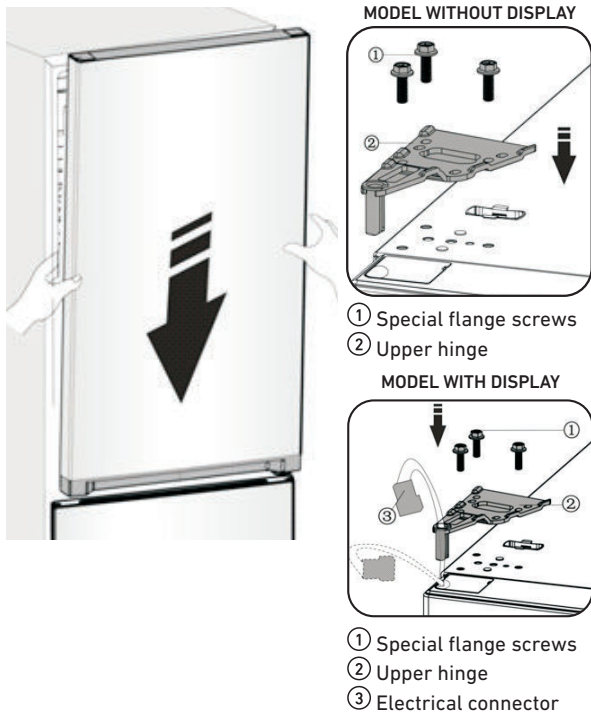
13) Replace the items removed in step 11, move part ① to the left side, and then secure them with screws ④. Install part ② last of all.



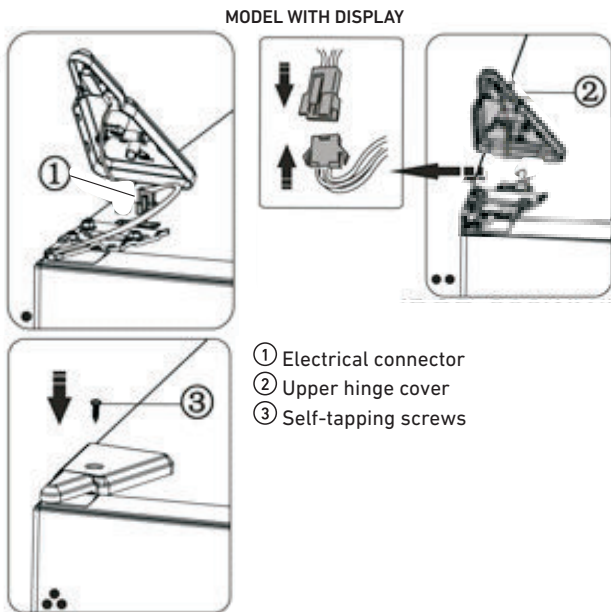
14) Mount the lower door on the lower hinge pin and hold it in place. Rotate the central hinge by 180°, rotating the washer on its axis so that it is on the bottom side, adjust the central hinge to the appropriate position and then install it, making sure the bottom door is in a secure position.



15) Move the upper door to the appropriate position, and then secure part ② using the screws ①. Before securing part ②, pass the connector ③ through the hinge ② (see step 3). (Please hold the upper door with your hand when installing)

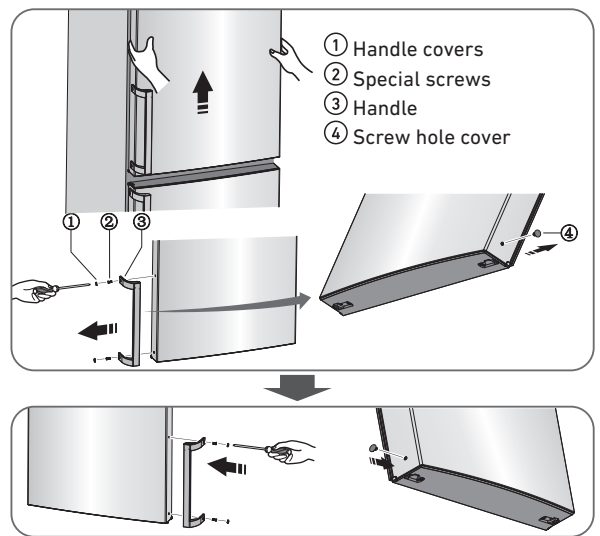


16) Connect the electrical connector ① as shown in the picture, then secure part ② using the screw ③ (see step 2).

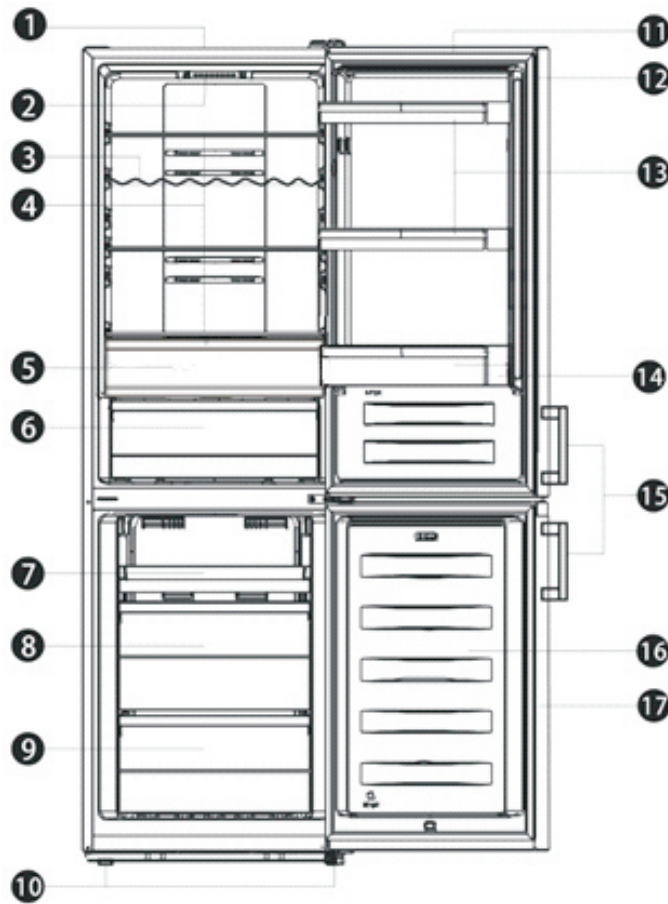


17) Open the upper door, mount the door racks, and then close it.

Note: If your appliance has handles, you will have to reverse the handles following the instructions below. Remove the upper door and place it on a smooth surface with its panel facing upwards. Lift or pry up part ① and part ④, then remove the screws ②, as shown in the picture. Move the handle ③ to the right side, then install the screws ②, part ① and part ④, in that order.



4. DESCRIPTION OF THE APPLIANCE



- | | |
|------------------------------------|----------------------------------|
| 1. Cabinet | 10. Adjustable feet |
| 2. LED lights & thermostat control | 11. Refrigerator door |
| 3. Wine refrigerator shelf | 12. Refrigerator door seal |
| 4. Glass refrigerator shelves | 13. Upper refrigerator door bins |
| 5. Upper refrigerator crisper | 14. Lower door bin |
| 6. Refrigerator crisper | 15. Handles (accessories) |
| 7. Upper freezer drawer | 16. Freezer door |
| 8. Middle freezer drawer | 17. Freezer door seal |
| 9. Lower freezer drawer | |

Note:

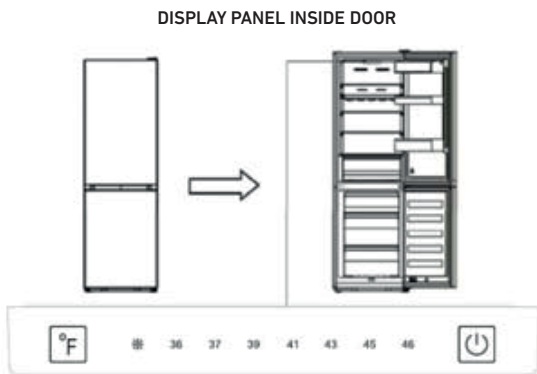
We are constantly updating our products, which means that some parts of your refrigerator may be slightly different from those depicted in this instruction manual, but its functions and methods of use remain the same.

Note:

To make more space in the freezer, you can remove the drawers (except for the bottom drawer in the freezer compartment). In order for this product to achieve the best possible energy efficiency all shelves and drawers must be in their original positions, as shown in the illustration above.

5.1 Internal display

Follow these instructions when using your appliance. Your refrigerator is equipped with the functions and modes shown in the display panel images below. When the appliance is powered on for the first time, the icons on the display panel will light up. If no buttons are pressed and the doors are kept closed, the lights on the display panel will go off.



5.2 Controlling the temperature

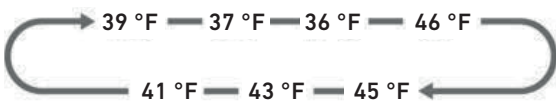
When the refrigerator is started for the first time, the temperature is set at 39°F. If you want to change the temperature, follow the instructions below.



Caution!

When setting a temperature, you set an average temperature for the whole refrigerator cabinet. Temperatures inside each individual compartment may deviate from the temperature values displayed on the panel, depending on how much food you store and where you place it. Ambient temperature may also affect the actual temperature inside the appliance.

Press "°F" to set the refrigerator temperature between 36°F and 46°F as needed; the corresponding values will be displayed on the panel in sequence as follows:



5.3 Super Freeze (❄️)

Super Freeze will quickly lower the temperature within the freezer so that food will freeze faster. This can lock in the vitamins and nutrients of fresh food and keep food fresh for longer.

You can press and hold "°F" for 3 seconds to activate Super Freeze mode.

When Super Freeze mode is selected, the corresponding symbol lights up and the freezer temperature will be set at -11°F.

If you have a large amount of food to freeze, please wait about 24 hours before loading the freezer.

Super Freeze automatically switches off after 52 hours, at which time the freezer temperature reverts back to its previous setting.

5.4 The On/Off switch (⏻)

You can switch your appliance on or off by pressing this button.

Press and hold the On/Off button for 3 seconds and, after a buzzer sounds, the appliance will turn off.

Press and hold the On/Off button for 1 second and, after a buzzer sounds, the appliance will turn on.

6. HELPFUL HINTS AND TIPS

6.1 Energy saving tips

We recommend that you follow the tips below to save energy.

- > In order to maintain the correct temperature, try to avoid keeping the door open for long periods.
- > Ensure the appliance is away from any sources of heat (direct sunlight, electric oven, kitchen range, etc.).
- > Do not set the temperature any colder than is necessary.
- > Do not store warm food or evaporating liquid in the appliance.
- > Place the appliance in a well ventilated, humidity-free room. Please see the chapter on installing your new appliance.
- > If the drawers, crisper and shelves are arranged as shown in the diagram, do not adjust this arrangement, as it is designed to be the most energy efficient.

6.2 Tips for fresh food refrigeration

- > Do not place hot food directly into the refrigerator or freezer as this will raise the internal temperature, resulting in the compressor having to work harder and consume more energy.
- > Cover or wrap food, particularly if it has a strong odor or flavor.
- > Place food in such a way that air can circulate freely around it.
- > Meat (all types): wrap in plastic wrap and place on the glass shelf above the vegetable drawer. Always follow food storage time recommendations and consume food before the expiration date provided by the producer.
- > Cooked food, cold dishes, etc.: should be covered and may be placed on any shelf.
- > Fruit and vegetables: should be stored in the special drawer provided.
- > Butter and cheese: should be wrapped in airtight aluminum foil or plastic wrap.
- > Milk containers: should have a cap/lid and be stored in the door racks.

6.3 Tips for freezing food

- > When first starting-up or after a period out of operation, let the appliance run for at least 2 hours on the highest settings before putting food into the compartments.
- > Prepare food in small portions to allow for quick and complete freezing and to subsequently allow you to defrost only the necessary amount.
- > Wrap the food in airtight aluminum foil or polyethylene food wraps.
- > Do not allow fresh, unfrozen food to come into contact with food that is already frozen, as it would cause the frozen food's temperature to rise.
- > Frozen products, if consumed immediately upon removal from the freezer, will probably cause frost burns to the skin.
- > It is recommended that you label and date each frozen item in order to keep track of storage times.
- > Ensure that frozen food has been stored correctly by the food retailer.
- > Once defrosted, food will deteriorate rapidly and should not be refrozen. Do not exceed the storage period indicated by the food manufacturer.

6.4 Switching off your appliance

If the unit needs to be switched off for an extended period, the following measures must be taken to prevent the growth of mold inside the appliance.

- 1) Remove all food.
- 2) Remove the power plug from the power outlet.
- 3) Clean and dry the interior thoroughly.
- 4) Ensure that all the doors are wedged open slightly to allow air to circulate.

For hygienic reasons, the appliance (including its exterior and interior accessories) should be cleaned regularly (at least every two months).

**Warning!**

The appliance must not be connected to domestic power during cleaning, as there is a danger of electric shock!

Before cleaning, switch the appliance off and remove the plug from the power outlet.

7.1 Exterior cleaning

To maintain your appliance's aesthetic appearance, you should clean it regularly.

- > Wipe the control panel with a clean, soft cloth.
- > Spray water onto the cleaning cloth instead of spraying it directly onto the surface of the appliance. This helps to ensure an even distribution of moisture on surfaces.
- > Clean the doors, handles and cabinet surfaces with a mild detergent and then wipe dry with a soft cloth.

**Caution!**

> Do not use sharp objects, as they are likely to scratch the surface.

> Do not use thinners, car detergents, bleach, essential oils, abrasive cleansers or organic solvents such as benzene for cleaning. They may damage the surface of the appliance and could cause a fire.

7.2 Interior cleaning

You should clean the interior of the appliance regularly. It will be easier to clean when food stocks are low. Wipe the inside of the fridge-freezer with a weak solution of bicarbonate of soda, then rinse with warm water using a damp sponge or cloth. Wipe completely dry before replacing the shelves and bins. Thoroughly dry all surfaces and removable parts before putting them back into place. Although this appliance defrosts automatically, a layer of frost may build up on the freezer compartment's interior walls if the freezer door is opened frequently or kept open for too long. If the frost grows thick, choose a time when the freezer is nearly empty and proceed as follow:

1) Remove all accessories and bins and any food currently stored, unplug the appliance from domestic power and leave the doors open. Ventilate the room thoroughly to accelerate the process.

2) When defrosting is complete, clean your freezer as described above.

**Caution!**

Do not use sharp objects to remove frost from the freezer compartment. The appliance should only be switched back on and plugged into domestic power when the interior is completely dry.

7.3 Cleaning the door seals

Take care to keep door seals clean. Sticky food and drinks can cause seals to stick to the cabinet surface and tear when you open the door. Wash seals with a mild detergent and warm water. Rinse and dry thoroughly after cleaning.

**Caution!**

The appliance should only be switched back on when the door seals are completely dry.

7.4 Replacing the LED light

**Warning:**

The LED light must not be replaced by the user! If the LED light is damaged, contact the customer helpline for assistance.

8. DISPOSAL OF THE APPLIANCE

It is prohibited to dispose of this appliance as household waste.

8.1 Packaging materials

Packaging materials with the recycle symbol are recyclable. Dispose of the packaging in a suitable waste collection container to recycle it.

8.2 Before disposing of the appliance

- 1) Pull out the power plug from the power outlet.
- 2) Cut off the power cord and discard it along with the power plug.



Warning!

Refrigerators contain refrigerant, as well as gases in the insulation. Refrigerant and gases must be disposed of professionally, as they may cause eye injuries or ignite. Ensure that the refrigerant circuit tubing is not damaged prior to proper disposal.

PROPER DISPOSAL OF THIS PRODUCT



This symbol on the product or on its packaging indicates that this product may not be treated as household waste. Instead, it must be taken to the appropriate waste collection point for the recycling of electrical and electronic equipment. By ensuring this product is disposed of correctly, you will help prevent potential negative consequences for the environment and human health, which could otherwise be caused by the inappropriate waste handling of this product. For more detailed information about the recycling of this product, please contact your local council about waste disposal services or the shop where you purchased the product.

To avoid contamination of food, please heed the following information and instructions:

- > Opening the door for long periods can cause a significant increase in temperature inside the appliance compartments.
- > Perform regular cleaning of surfaces that may come into contact with food and of accessible drainage systems.

- > Store raw meat and fish in suitable containers in the refrigerator, so that it does not contaminate other food.
- > Two-star frozen-food compartments are suitable for storing pre-frozen food, storing or making ice cream, and making ice cubes.
- > One-, two- and three-star compartments are not suitable for the freezing of fresh food.

ORDER	Compartments TYPE	Target storage temp. [°F]	Appropriate foods
1	Fridge	+36~+46	Eggs, cooked foods, packaged foods, fruits and vegetables, dairy products, cakes, drinks, and other foods which are not suitable for freezing.
2	(***)*-Freezer	≤0	Seafood (fish, shrimp, shellfish), freshwater aquatic products, and meat products (recommended for 3 months; the longer the storage time, the worse the taste and nutrition). Suitable for freezing fresh food.
3	***-Freezer	≤0	Seafood (fish, shrimp, shellfish), freshwater aquatic products, and meat products (recommended for 3 months; the longer the storage time, the worse the taste and nutrition). Not suitable for freezing fresh food.
4	** -Freezer	≤+10	Seafood (fish, shrimp, shellfish), freshwater aquatic products, and meat products (recommended for 2 months; the longer the storage time, the worse the taste and nutrition). Not suitable for freezing fresh food.
5	*-Freezer	≤+21	Seafood (fish, shrimp, shellfish), freshwater aquatic products, and meat products (recommended for 1 month; the longer the storage time, the worse the taste and nutrition). Not suitable for freezing fresh food.
6	0-star	+21~+36	Fresh pork, beef, fish, chicken, some packaged processed foods, etc. (Recommended to eat the same day and preferably within a maximum of 3 days). Partially packaged processed foods (non-freezable foods).
7	Chill	+28~+37	Fresh/frozen pork, beef, chicken, freshwater aquatic products, etc. (below 32°F for 7 days; above 32°F is recommended for consumption the same day and preferably within a maximum of 2 days). Seafood (less than 32°F for 15 days; it is not recommended that you store seafood above 32°F).
8	Fresh Food	+32~+39	Fresh pork, beef, fish, chicken, cooked food, etc. (Recommended for consumption on the same day and preferably within a maximum of 3 days).
9	Wine	+41~+68	Red wine, white wine, sparkling wine, etc.



Note:

Please store different foods in the compartments with the target storage temperatures of your purchased products.

If the refrigerating appliance is left empty for a long period, switch it off, defrost it, clean it, dry it, and leave the door open to prevent mold developing within the appliance.

9. TWO YEAR LIMITED WARRANTY STATEMENT

WHAT THIS LIMITED WARRANTY COVERS

The warranties provided by Bertazzoni SpA herein apply exclusively to Bertazzoni appliances and accessories sold as new products to the original owner by an authorized Bertazzoni distributor, retailer, dealer or service center and installed in the United States or Canada. The warranties provided herein are not transferable and are valid from the date of installation.

The Warranty coverage provided by Bertazzoni SpA ("Bertazzoni") in this statement applies exclusively to the original Bertazzoni appliance ("Product") sold to the consumer ("Purchaser") by an authorized Bertazzoni dealer/distributor/retailer, purchased and installed in the United States, District of Columbia, or Canada which has always remained within the country of original purchase (United States, District of Columbia, or Canada).

Warranty coverage is activated on the date of original retail purchase of the Product and has a duration of **two (2)** years.

Warranty coverage is non-transferrable.

In the event of parts replacement or entire product replacement, the replacement Product (or parts) shall assume the remaining original Warranty activated with original retail purchase document. This Warranty shall not be extended with respect to such replacement.

Bertazzoni SpA will repair or replace any component/part which fails or proves defective due to materials and/or workmanship within 2 years from the date of original retail purchase and under conditions of normal residential, non-commercial use.

Repair or replacement will be free of charge, including labor at standard rates and shipping expenses. Purchaser is responsible for making the Product reasonably accessible for service. Repair service must be performed by a Bertazzoni Authorized Service company during normal working hours. Labor performed at overtime or premium rates shall not be covered by Warranty.



IMPORTANT:

Retain proof of original purchase to establish warranty period.

Bertazzoni's liability on any claim of any kind, with respect to the goods and/or services provided, shall in no event exceed the value of the goods or service or part thereof which gives origin to the claim.

30 Day Cosmetic warranty

Inspection of the product must be made by Purchaser at time of delivery.

Bertazzoni warrants that the Product is free from manufacturing defects in materials and workmanship for a period of thirty (30) days from date of original retail purchase of the Product.

This coverage includes:

- > Paint blemishes
- > Chips
- > Macroscopic finish defects

Cosmetic warranty does NOT cover:

- > issues resulting from incorrect transport, handling and/or installation (i.e: dents, broken, bowed or deformed structures or components, shattered glass components)
- > slight color variations in painted/enameled components
- > differences caused by natural or artificial lighting, location or other analogous factors
- > stains/corrosion/discoloration caused by external substances and/or environmental factors
- > **labor costs, display, floor, B-stock, out-of-box, "as is" appliances and demo units.**

HOW TO OBTAIN SERVICE

To receive warranty service, the Purchaser must contact Bertazzoni Service for problem determination and correct service procedures.

Model number, serial number and date of original retail purchase will be requested.



IMPORTANT:

Retain proof of original purchase to establish warranty period.

If located in the USA

866 905 0010

<https://us.bertazzoni.com/more/support>

If located in CANADA

800 561 7265

<https://ca.bertazzoni.com/more/support>

WARRANTY EXCLUSIONS – WHAT IS NOT COVERED

- > Use of the Product in any non-residential, commercial application
- > Use of the Product for anything other than its intended scope
- > Repair service provided by other than a Bertazzoni authorized service agency.
- > Damage or repair service to correct service provided by an unauthorized agency or the use of unauthorized parts.
- > Installation not in accordance with local/state/city/county fire codes, electrical codes, gas codes, plumbing codes, building codes, regulations, or laws.
- > Defects or damage due to improper storage of the Product.
- > Defects or damage or missing parts on products sold out of the original factory packaging or from displays.
- > Service calls or repairs to correct the incorrect installation of the product and/or related accessories.
- > Replacement of parts/service calls to connect, convert or otherwise repair the electrical wiring and/or gas line to properly use the product.
- > Replacement of parts/service calls to provide instructions and education on the use the Product.
- > Replacement of parts/service calls to correct issues due to product usage in manner other than what is normal and customary for residential use.
- > Replacement of parts/service calls due to wear and tear such as gaskets, knobs, pan supports, shelving, cutlery baskets, buttons, touch displays, scratched or broken ceramic glass tops
- > Replacement of parts/service calls for lack of/improper maintenance such as but not limited to: residue build up, stains, scratches, discoloration, corrosion
- > Replacement of glass components and light bulbs if claim arises after 30 days from original retail purchase date.
- > Defects and damages arising from accidents, alteration, misuse, abuse, improper installation.
- > Defects and damages arising from transport, logistics and handling of the Product. Inspection of the product must be made at time of delivery. Any issues from handling, transport and logistics must be notified to selling dealer/delivery company after receipt and inspection.
- > Defects and damage arising from external forces beyond the control of Bertazzoni SpA including but not limited to wind, rain, sand, fires, floods, mud slides, freezing temperatures, excessive moisture or extended exposure to humidity, power surges, lightning, structural failures surrounding the

appliance and other acts of God.

- > Products with altered/damaged/tampered serial number.

In no case shall Bertazzoni be liable or responsible for damage to surrounding property, including furniture, cabinetry, flooring, panels and other structures surrounding the Product.

Bertazzoni is not liable nor responsible for the Product if located in a remote area or an area where certified trained technicians are not reasonably available. Purchaser must bear any transportation and delivery costs of the Product to the nearest authorized Service center or for the additional displacement rates of a certified trained technician.

THERE ARE NO EXPRESS WARRANTIES OTHER THAN THOSE LISTED AND DESCRIBED ABOVE, AND NO WARRANTIES WHETHER EXPRESS OR IMPLIED, INCLUDING, BUT NOT LIMITED TO, ANY IMPLIED WARRANTIES OF MERCHANTABILITY OR FITNESS FOR A PARTICULAR PURPOSE, SHALL APPLY AFTER THE EXPRESS WARRANTY PERIODS STATED ABOVE, AND NO OTHER EXPRESS WARRANTY OR GUARANTEE GIVEN BY ANY PERSON, FIRM OR CORPORATION WITH RESPECT TO THIS PRODUCT SHALL BE BINDING ON BERTAZZONI. BERTAZZONI SHALL NOT BE LIABLE FOR LOSS OF REVENUE OR PROFITS, FAILURE TO REALIZE SAVINGS OR OTHER BENEFITS, TIME AWAY FROM WORK, MEALS, LOSS OF FOOD OR BEVERAGES, TRAVELING OR HOTEL EXPENSES, EXPENSES TO RENT OR PURCHASE APPLIANCES, REMODELLING/ CONSTRUCTION EXPENSES IN EXCESS OF DIRECT DAMAGES WHICH ARE DEFINITELY CAUSED EXCLUSIVELY BY BERTAZZONI, OR ANY OTHER SPECIAL, INCIDENTAL OR CONSEQUENTIAL DAMAGES CAUSED BY THE USE, MISUSE OR INABILITY TO USE THIS PRODUCT, REGARDLESS OF THE LEGAL THEORY ON WHICH THE CLAIM IS BASED, AND EVEN IF BERTAZZONI HAS BEEN ADVISED OF THE POSSIBILITY OF SUCH DAMAGES. NOR SHALL RECOVERY OF ANY KIND AGAINST BERTAZZONI BE GREATER IN AMOUNT THAN THE PURCHASE PRICE OF THE PRODUCT SOLD BY BERTAZZONI AND CAUSING THE ALLEGED DAMAGE. WITHOUT LIMITING THE FOREGOING, PURCHASER ASSUMES ALL RISK AND LIABILITY FOR LOSS, DAMAGE OR INJURY TO PURCHASER AND PURCHASER'S PROPERTY AND TO OTHERS AND THEIR PROPERTY ARISING OUT OF THE USE, MISUSE OR INABILITY TO USE THIS PRODUCT SOLD BY BERTAZZONI NOT CAUSED DIRECTLY BY THE NEGLIGENCE OF BERTAZZONI.

THIS LIMITED WARRANTY SHALL NOT EXTEND TO ANYONE OTHER THAN THE ORIGINAL PURCHASER OF THIS PRODUCT, IS NON-TRANSFERABLE AND STATES YOUR EXCLUSIVE REMEDY.

Bertazzoni does not assume any responsibility for incidental or consequential damages. Some states do not allow the exclusion or limitation of incidental or consequential damages, so the above limitation or exclusion may not apply to you. This warranty gives you specific legal rights and you may also have other rights which may vary from state to state or province to province.

Any questions about this Limited Warranty may be directed to Bertazzoni Customer Care

If located in the USA:

866 905 0010

<https://us.bertazzoni.com/more/support>

If located in CANADA:

800 561 7265

<https://ca.bertazzoni.com/more/support>

1 INFORMATIONS ET AVERTISSEMENTS EN MATIÈRE DE SÉCURITÉ	22
1.1 Sécurité des enfants et des personnes vulnérables	22
1.2 Sécurité générale	22
1.3 Remplacement des ampoules	23
1.4 Réfrigérant	23
1.5 Sécurité électrique	23
1.6 Utilisation quotidienne	24
1.7 Précautions en matière de nettoyage et d'entretien	24
1.8 Précautions à prendre avant l'installation	25
1.9 Assistance	25
2 INSTALLATION D'UN NOUVEL APPAREIL	25
2.1 Installation d'un nouvel appareil	25
2.2 Ventilation de l'appareil	25
2.3 Mise à niveau de l'appareil	26
3 MODIFIER LE SENS DE LA PORTE	26
3.1 Modifier le sens de la porte	26
3.2 Outils nécessaires	26
4 DESCRIPTION DE L'APPAREIL	30
5 COMMANDES DE L'ÉCRAN	31
5.1 Écran interne	31
5.2 Contrôle de la température	31
5.3 Super-congélation	31
5.4 Interrupteur « ON / OFF »	31
6 CONSEILS ET ASTUCES	32
6.1 Conseils pour économiser de l'énergie	32
6.2 Conseils pour la réfrigération d'aliments frais	32
6.3 Conseils pour la congélation d'aliments	32
6.4 Arrêt de l'appareil	32
7 NETTOYAGE ET ENTRETIEN	33
7.1 Nettoyage extérieur	33
7.2 Nettoyage intérieur	33
7.3 Nettoyage des joints de la porte	33
7.4 Remplacement de l'ampoule LED	33
8 ÉLIMINATION DE L'APPAREIL	34
8.1 Matériaux d'emballage	34
8.2 Avant d'éliminer l'appareil	34
9 DÉCLARATION DE GARANTIE LIMITÉE DE DEUX ANS	36

1. INFORMATIONS ET AVERTISSEMENTS EN MATIÈRE DE SÉCURITÉ



Pour votre sécurité et pour vous assurer de bien utiliser l'appareil, veuillez lire attentivement le présent manuel d'utilisation, y compris les conseils et avertissements, avant d'installer et d'utiliser l'appareil pour la première fois. Pour éviter les erreurs et les accidents, il est important de s'assurer que toutes les personnes qui utilisent l'appareil connaissent parfaitement son fonctionnement et ses dispositifs de sécurité. Conserver ces instructions dans un lieu sûr et veiller à ce qu'elles restent au côté de l'appareil en cas de vente ou de déplacement de celui-ci, afin que chaque utilisateur soit correctement informé concernant son utilisation et les consignes de sécurité.

Pour éviter les blessures et les dommages matériels, respecter les avertissements figurant dans le manuel d'utilisation ; le fabricant décline toute responsabilité en cas de dommages causés par l'absence de lecture et le non-respect des instructions.

1.1 Sécurité des enfants et des personnes vulnérables

> Conformément à la norme EN :

Cet appareil peut être utilisé par des enfants âgés de 8 ans ou plus ainsi que par des personnes présentant des capacités physiques, sensorielles ou mentales réduites ou un manque d'expérience et de connaissances s'ils ont été supervisés ou formés concernant l'utilisation en toute sécurité de l'appareil et qu'ils comprennent les risques encourus. Les enfants ne doivent pas jouer avec l'appareil. Le nettoyage et l'entretien ne doivent pas être effectués par des enfants sans la surveillance d'un adulte responsable. Les enfants âgés de 3 à 8 ans sont autorisés à placer des articles dans les appareils de réfrigération et à en retirer.

> Conformément à la norme UL :

Cet appareil n'est pas destiné à être utilisé par des enfants de moins de 3 ans ou des personnes (y compris des enfants) présentant des capacités physiques, sensorielles ou mentales réduites, ou un manque d'expérience et de connaissances, sauf si elles sont encadrées ou qu'elles ont été formées par une personne responsable de leur sécurité concernant l'utilisation de l'appareil.

> Surveiller les enfants afin de s'assurer qu'ils ne jouent pas avec l'appareil.

> Garder tous les matériaux d'emballage hors de portée des enfants, puisqu'ils présentent un risque d'asphyxie.

> Lors de l'élimination de l'appareil, le débrancher de la prise de courant, couper le câble d'alimentation (au plus proche de l'appareil) et retirer les portes afin d'éviter que des enfants ne jouent avec, ne reçoivent une décharge électrique ou ne s'enferment à l'intérieur.

> Si cet appareil, doté de joints de porte magnétiques, remplace un appareil plus ancien équipé d'un verrou à ressort (loquet) au niveau de la porte, veiller à casser le verrou à ressort avant d'éliminer l'ancien appareil afin d'éviter toute blessure.

1.2 Sécurité générale



Attention

Cet appareil est conçu pour un usage domestique ou analogue, comme :

> l'espace dédié à la cuisine du personnel de magasins, bureaux et autres lieux de travail ;

> les corps de ferme, hôtels, motels et autres lieux résidentiels ;

> les lieux de type chambres d'hôtes ;

> les services de type traiteur et similaires hors détail.



Attention

Ne pas entreposer de substances explosives, comme des bombes aérosols, avec des substances inflammables dans cet appareil.



Attention

Si le câble d'alimentation est endommagé, il doit être remplacé par le fabricant, l'un de ses prestataires de services ou un technicien qualifié afin d'éviter les dangers.



Attention

Veiller à ce que les orifices de ventilation, situés sur les parois du logement de l'appareil ou sur l'appareil même, ne soient pas obstrués.



Attention

Ne pas utiliser d'équipements mécaniques ou d'autres moyens afin d'accélérer le processus de dégivrage, à moins qu'ils ne soient recommandés par le fabricant.

**Attention**

Ne pas endommager le circuit réfrigérant.

**Attention**

Ne pas utiliser d'équipements électriques au sein des compartiments de conservation des aliments à moins qu'ils ne soient recommandés par le fabricant.

**Attention**

Le réfrigérant et l'agent isolant sont inflammables. Éliminer l'appareil auprès d'un centre de collecte agréé. Ne pas exposer l'appareil à des flammes nues.

**Attention**

Lors du positionnement de l'appareil, s'assurer que le câble d'alimentation n'est pas coincé ou endommagé.

**Attention**

Ne pas placer de multiprise ou de bloc d'alimentation portable à l'arrière de l'appareil.

1.3 Remplacement des ampoules

**Attention**

L'utilisateur ne doit pas remplacer les ampoules ! Si les ampoules sont endommagées, contacter le Service clients pour obtenir de l'aide.


1.4 Réfrigérant

Le circuit réfrigérant de l'appareil contient de l'isobutane (R600a), un gaz naturel hautement compatible avec l'environnement qui est néanmoins un gaz inflammable. Lors du transport et de l'installation de l'appareil, veiller à ce qu'aucun composant du circuit réfrigérant ne soit endommagé. Le réfrigérant (R600a) est inflammable.

**Attention**

Le réfrigérateur contient du réfrigérant, ainsi que des gaz au sein de l'isolation. Le réfrigérant et les gaz doivent être éliminés par un professionnel étant donné qu'ils peuvent provoquer des lésions oculaires ou s'enflammer. S'assurer que les tuyaux du circuit réfrigérant ne sont pas endommagés avant l'élimination.



Le symbole  est un symbole d'avertissement indiquant que le réfrigérant et l'agent isolant sont inflammables.

ATTENTION : Risque d'incendie / Matériaux inflammables

Si le circuit réfrigérant est endommagé :

- > Éviter toute flamme nue et source d'ignition.
- > Bien aérer la pièce où se trouve l'appareil.

Toute modification des caractéristiques du produit est dangereuse.

Tout dommage au niveau du câble pourrait entraîner un court-circuit, un incendie ou une décharge électrique.

1.5 Sécurité électrique



- 1) Ne pas utiliser de rallonge avec cet appareil.
- 2) S'assurer que la fiche d'alimentation n'est pas endommagée ou cassée. Une fiche d'alimentation endommagée ou cassée pourrait causer une surchauffe voire un incendie.
- 3) S'assurer de pouvoir accéder à la fiche reliant l'appareil à l'alimentation électrique.
- 4) Ne pas tirer sur le câble d'alimentation.
- 5) Si la prise de courant est instable, ne pas insérer la fiche d'alimentation. Un risque de décharge électrique est présent.
- 6) Ne pas utiliser l'appareil si les caches de l'éclairage intérieur ne sont pas en place.

7) L'appareil peut fonctionner uniquement avec une alimentation à courant alternatif monophasé de 115 V / 60 Hz. Si les variations de tension dans la zone d'utilisation dépassent la plage précitée, par mesure de sécurité, installer un régulateur de tension automatique de plus de 350 W pour le réfrigérateur. L'appareil doit être branché à un circuit dédié et une prise de courant non GFCI (fuite à la terre) ou non AFCI (anti-arcs) appropriée. La fiche doit correspondre à la prise, qui doit être équipée d'un fil de terre.

1.6 Utilisation quotidienne

- > Ne pas entreposer de gaz ou liquides inflammables dans l'appareil ; cela présenterait un risque d'explosion.
- > Ne pas utiliser d'équipements électriques à l'intérieur de l'appareil (par exemple une sorbetière électrique, un mixeur, etc.).
- > Pour débrancher l'appareil, toujours retirer la fiche directement de la prise ; ne pas tirer sur le câble.
- > Ne pas placer d'articles chauds à proximité des éléments en plastique de l'appareil.
- > Ne pas placer d'aliments directement contre l'orifice de ventilation de la paroi arrière.
- > Conserver les aliments surgelés préemballés conformément aux instructions du fabricant de produits surgelés.
- > Les instructions relatives à la conservation doivent être scrupuleusement respectées. Se référer aux instructions de conservation correspondantes.
- > Ne pas placer de boissons gazeuses dans le compartiment de congélation ; les récipients pourraient être soumis à une forte pression qui risquerait d'entraîner leur explosion et d'endommager l'appareil.
- > Les aliments surgelés peuvent entraîner des brûlures par le froid s'ils sont consommés directement après avoir été sortis du compartiment de congélation.
- > Placer l'appareil à l'abri de la lumière directe du soleil.
- > Tenir les bougies, lampes et autres objets présentant des flammes nues à l'écart de l'appareil, ces derniers pouvant provoquer un incendie.

> L'appareil est conçu pour conserver des aliments et des boissons dans le cadre d'un usage domestique normal. Faire preuve de prudence lors du déplacement de l'appareil, celui-ci étant lourd.

> Ne pas manipuler ou toucher d'articles au sein du compartiment de congélation avec les mains mouillées ou humides, cela pouvant provoquer des abrasions cutanées ou des brûlures par le froid.

> Ne jamais utiliser la base, les bacs, les portes, etc. comme supports et ne pas s'appuyer contre ces derniers.

> Après avoir décongelé, les aliments surgelés ne doivent pas être recongelés.

> Ne pas consommer de glaces à l'eau ou de glaçons directement après avoir été sortis du congélateur ; cela pourrait provoquer des brûlures par le froid au niveau de la bouche ou des lèvres.

> Pour éviter toute chute d'article, toute blessure et tout dommage, ne pas surcharger les balconnets ou le bac à légumes.

> Cet appareil de réfrigération n'est pas conçu pour être utilisé en tant qu'appareil encastrable.

> Tenir tout médicament à l'écart du compartiment de congélation et des orifices de ventilation afin d'éviter la formation de cristaux de glace qui pourraient altérer les médicaments. Ne pas conserver de médicaments dans la porte du réfrigérateur puisqu'ils seraient exposés à une température irrégulière à chaque ouverture de la porte.

1.7 Précautions en matière de nettoyage et d'entretien



> Avant d'effectuer toute opération de nettoyage, éteindre l'appareil et débrancher la fiche de la prise d'alimentation électrique.

> Ne pas utiliser d'objets métalliques, de nettoyeur vapeur, d'huiles essentielles, de solvants organiques ou de nettoyeurs abrasifs pour nettoyer l'appareil.

> Ne pas utiliser d'objets coupants pour retirer le gel de l'appareil ; toujours utiliser une raclette en plastique.

1.8 Précautions à prendre avant l'installation

- > Pour le raccordement à l'alimentation électrique, respecter attentivement les instructions figurant dans le présent manuel. Déballez l'appareil et s'assurer de l'absence de tout dommage.
- > Ne pas brancher l'appareil s'il est endommagé. En cas de dommage, en informer immédiatement le point de vente au sein duquel l'appareil a été acheté. Dans cette éventualité, conserver l'emballage.
- > Il est recommandé d'attendre au moins quatre heures avant de brancher l'appareil à l'alimentation afin de permettre à l'huile de refluer dans le compresseur.
- > Pour éviter toute surchauffe, l'air doit pouvoir circuler de façon appropriée autour de l'appareil. Pour assurer une ventilation suffisante, suivre les instructions d'installation.
- > Si possible, l'arrière du produit ne doit pas être trop proche d'un mur : dans le cas contraire, des éléments comme le compresseur et le condensateur pourraient surchauffer. Pour éviter tout risque d'incendie, suivre les instructions d'installation.
- > L'appareil ne doit pas être placé près d'un radiateur ou d'une cuisinière.
- > Veiller à ce que la fiche d'alimentation soit accessible une fois l'appareil installé.

1.9 Assistance

- > Toutes les interventions électriques sur l'appareil doivent être réalisées uniquement par un électricien qualifié ou un personnel qualifié.
 - > Ce produit doit être entretenu par un centre d'assistance autorisé et seules des pièces détachées d'origine doivent être utilisées :
- 1) Si l'appareil est « Frost Free ».
 - 2) Si l'appareil contient un compartiment de congélation.

2.1 Installation d'un nouvel appareil

Avant d'utiliser l'appareil pour la première fois, lire attentivement les informations suivantes.

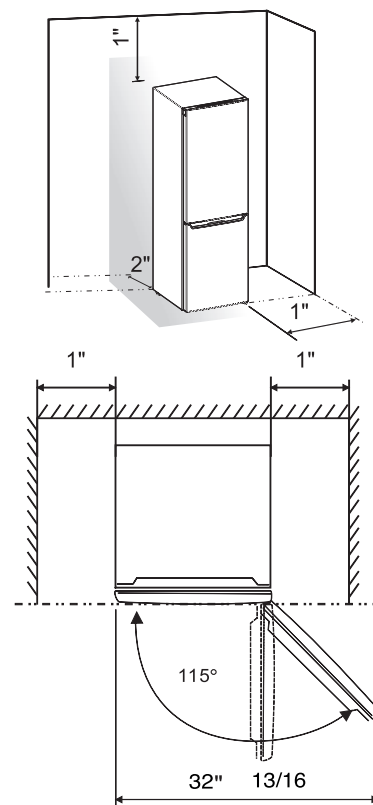
2.2 Ventilation de l'appareil



Remarque

Afin d'optimiser l'efficacité du système de refroidissement et d'économiser de l'énergie, une ventilation suffisante tout autour de l'appareil est indispensable pour faciliter la dissipation de la chaleur. Il faut donc laisser suffisamment d'espace tout autour du réfrigérateur.

Il est recommandé de laisser un espace de 2" à l'arrière de l'appareil, au moins 1" entre le dessus et le plafond / d'autres meubles, au moins 1" entre les côtés et les murs / meubles, ainsi qu'un espace suffisant devant la porte afin de permettre son ouverture à 115°, comme indiqué sur les schémas suivants.



3. MODIFIER LE SENS DE LA PORTE



Remarque

> Cet appareil est conçu pour fonctionner dans la classe climatique allant de 55°F à 110°F. Il pourrait ne pas fonctionner correctement s'il était soumis, pendant une longue période, à des températures inférieures ou supérieures à la plage indiquée.

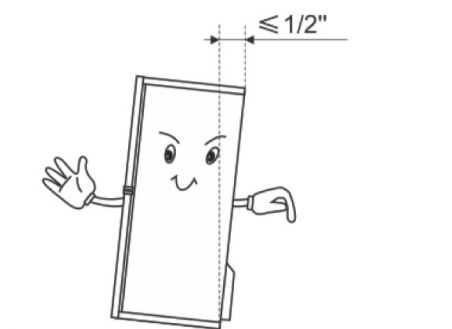
> Installer l'appareil dans un endroit sec afin d'éviter un taux d'humidité élevé.

> Tenir l'appareil à l'abri de la lumière directe du soleil, de la pluie et du gel. Placer l'appareil loin de toute source de chaleur, comme une cuisinière, un feu ou un radiateur.

3.3 Mise à niveau de l'appareil

> Pour s'assurer que l'appareil est à niveau et que l'air circule suffisamment en dessous et à l'arrière de l'appareil, le réglage des pieds de mise à niveau pourrait s'avérer nécessaire. Ils peuvent être réglés manuellement ou à l'aide d'une clé appropriée.

> Pour que les portes se referment toutes seules, incliner le haut de l'appareil vers l'arrière d'environ 1/2".



3.1 Modifier le sens de la porte

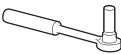



Si le site d'installation le requiert, il est possible de modifier le sens d'ouverture de la porte ; du côté droit (tel que fourni) au côté gauche.



Attention !

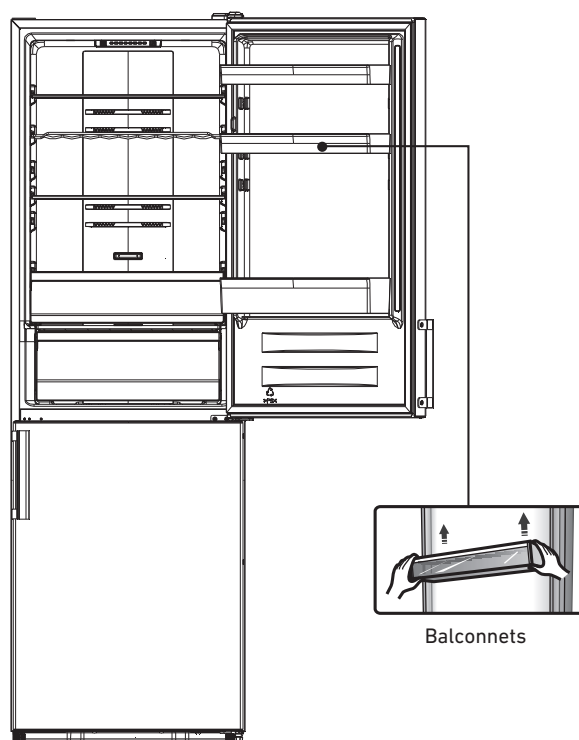
Lors de la modification du sens de la porte, l'appareil ne doit pas être branché à l'alimentation électrique. S'assurer que la fiche est débranchée de la prise d'alimentation.

3.2 Outils nécessaires

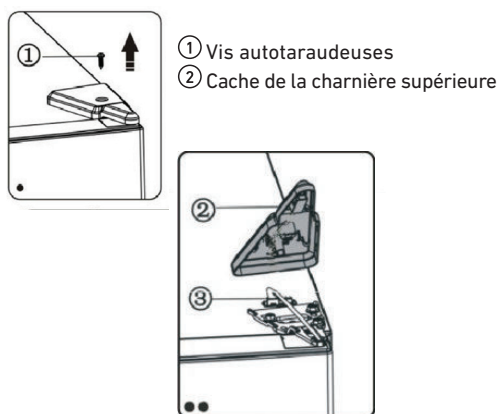
Non fournis	
	
Clé à douille de 8 mm	Tournevis plat
	
Tournevis cruciforme	Clé de 8 mm

> Si nécessaire, basculer le réfrigérateur vers l'arrière afin d'accéder plus facilement à sa base ; placer l'appareil contre de la mousse d'emballage ou tout autre matériau similaire pour éviter d'endommager le panneau arrière du réfrigérateur. Les étapes suivantes doivent généralement être respectées afin de modifier le sens de la porte. Des modèles différents peuvent correspondre à des images différentes. Les modèles seront identifiés sur les images. Si certains éléments ne figurent pas sur une image, veuillez ignorer toute description correspondante.

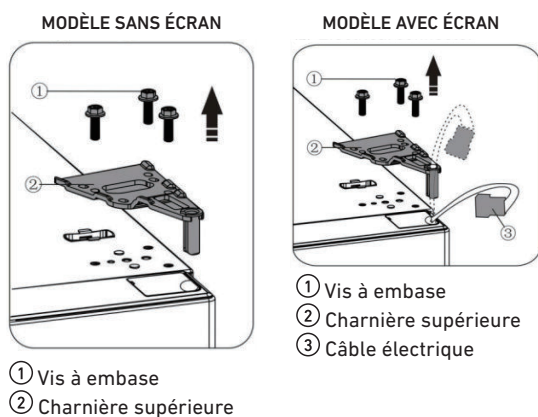
1) Placer le réfrigérateur à la verticale. Ouvrir la porte du haut et retirer tous les balconnets (pour éviter de les endommager), puis refermer la porte.



2) Retirer la partie ① et libérer la partie ② du côté supérieur droit du réfrigérateur.



3) Retirer les vis ① et la charnière ②. Si le réfrigérateur est équipé d'un écran interne, il faut faire passer le câble ③ à travers l'orifice de la charnière ②. Tenir la porte supérieure avec la main pendant l'installation.

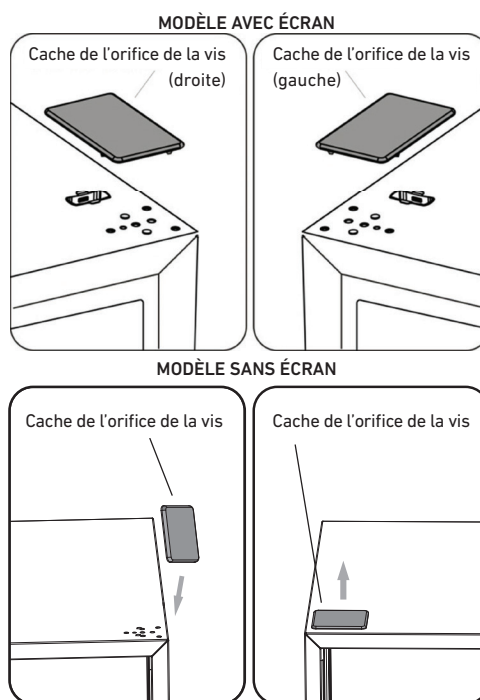


4) Retirer la porte supérieure de la charnière centrale en la soulevant délicatement vers le haut. Placer la porte supérieure sur une surface lisse, côté extérieur vers le haut.

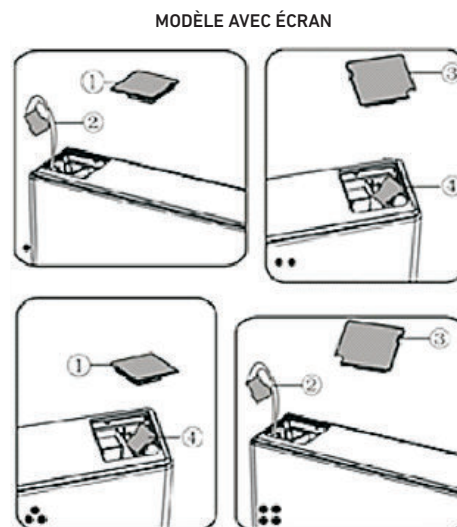


5) Si le réfrigérateur est équipé d'un écran interne, prendre un cache pour l'orifice de vis (droit) dans le sachet en plastique et le placer sur le côté supérieur droit du corps du réfrigérateur. Puis retirer le cache de l'orifice de vis (gauche) du côté supérieur gauche de l'appareil et le placer dans le sachet en plastique.

Si le réfrigérateur est équipé d'un écran interne, retirer le cache de l'orifice de vis du côté gauche et le placer sur le côté droit.

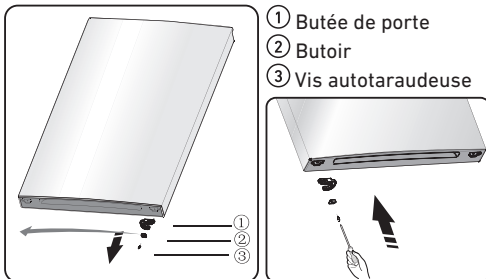


6) Si le réfrigérateur est équipé d'un écran interne, retirer la partie ① du côté supérieur gauche du panneau supérieur et extraire la partie ②. Puis retirer la partie ③ et placer la partie ④ sur le côté supérieur droit du panneau supérieur. En suivant l'opération précitée, placer la partie ③ et la partie ④ sur le côté supérieur gauche du panneau supérieur. Placer la partie ① sur le côté supérieur droit du panneau supérieur. Si le réfrigérateur est équipé d'un écran interne, ignorer cette étape.

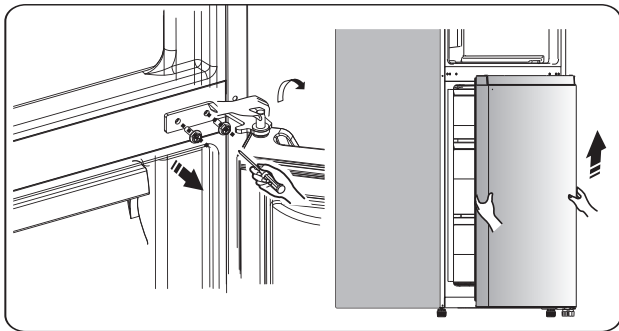


- ① Cache angle (gauche)
② Câble électrique (gauche)
③ Cache angle (droite)
④ Câble électrique (droite)

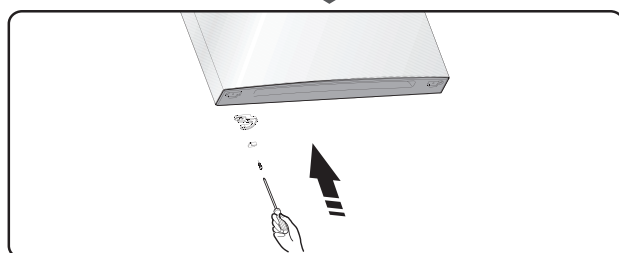
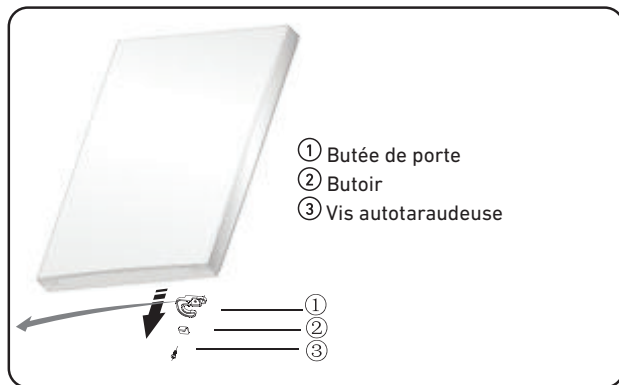
7) Desserrer la vis ③ et retirer la partie ② et la partie ① ; positionner la butée de porte de remplacement (gauche) ④ fournie (dans le sachet en plastique) et la partie ② (butoir) sur le côté gauche, à l'aide de la vis ③. Conserver la partie ① avec l'appareil en cas d'utilisation future.



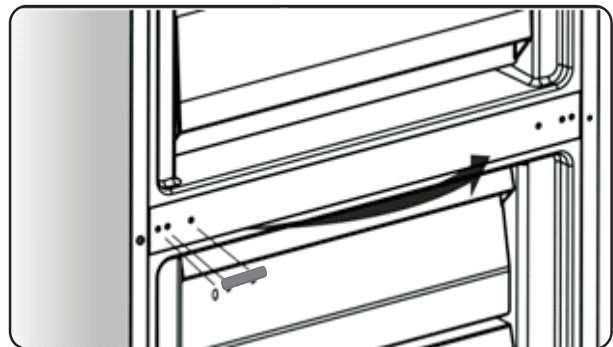
8) Desserrer les vis qui fixent la charnière centrale et retirer la charnière centrale. Puis retirer la porte inférieure.



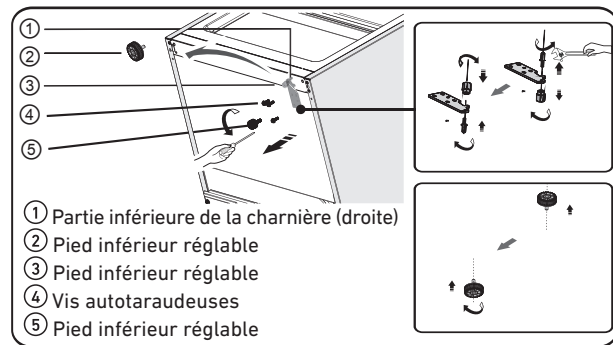
9) Placer la porte inférieure sur une surface lisse, panneau vers le haut. Desserrer la vis ③ et retirer la partie ② et la partie ① ; positionner la butée de porte de remplacement (gauche) ④ fournie (dans le sachet en plastique) et la partie ② (butoir) sur le côté gauche, à l'aide de la vis ③. Conserver la partie ① avec l'appareil en cas d'utilisation future.



10) Déplacer les caches des orifices des vis de la plaque de protection de la gauche vers la droite (comme l'illustre l'image suivante).

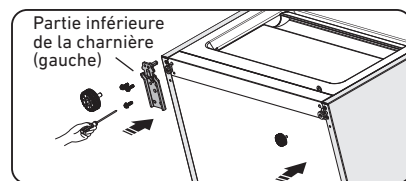


11) Basculer le réfrigérateur vers l'arrière et retirer la partie ②.

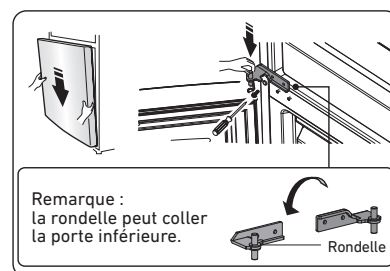


12) Retirer la partie ③ de l'axe inférieur de la charnière, libérer et retirer l'axe inférieur de la charnière, le positionner au niveau de l'orifice opposé et le serrer. Puis positionner la partie ③ sur l'axe inférieur de la charnière.

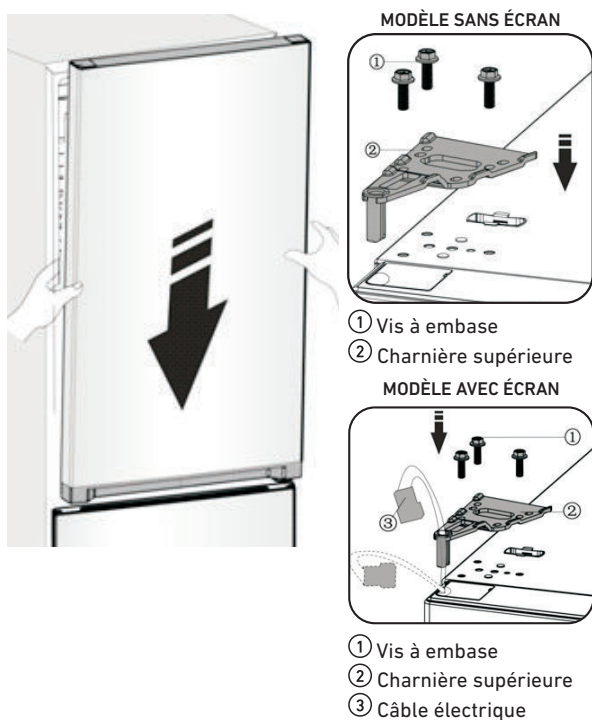
13) Replacer les éléments retirés à l'étape 11, déplacer la partie ① du côté gauche puis les fixer avec les vis ④. Placer la partie ② en dernier.



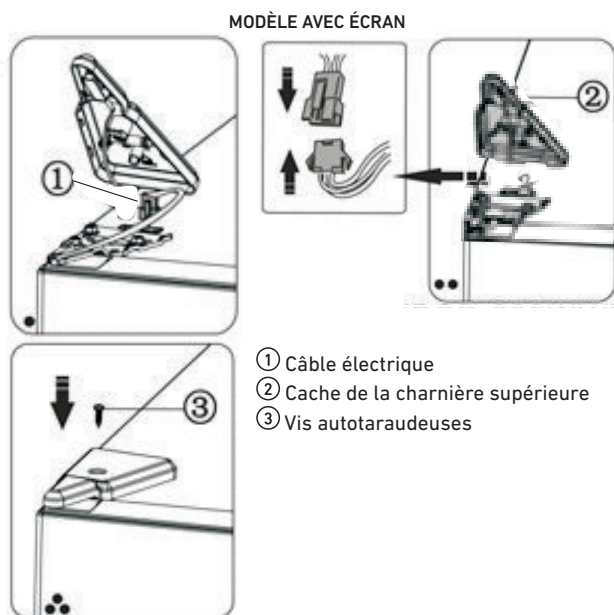
14) Placer la porte inférieure sur l'axe inférieur de la charnière et la maintenir en place. Tourner la charnière centrale de 180° en faisant pivoter la rondelle autour de son axe afin qu'elle soit vers le bas ; régler la position de la charnière centrale puis l'installer, en s'assurant que la porte inférieure est bien en place.



15) Placer la porte supérieure dans la bonne position, puis fixer la partie ② à l'aide des vis ①. Avant de fixer la partie ②, faire passer le câble ③ à travers la charnière ② (voir l'étape 3). Tenir la porte supérieure avec la main pendant l'installation.



16) Brancher le câble électrique ① comme indiqué à l'image, puis fixer la partie ② à l'aide de la vis ③ (voir l'étape 2).

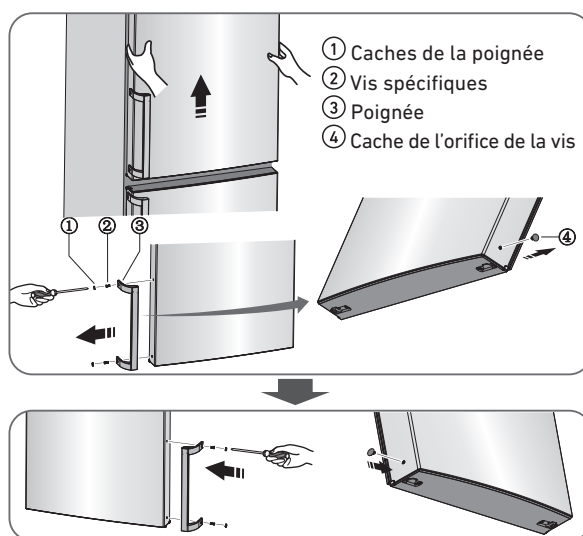


17) Ouvrir la porte supérieure, placer les balconnets puis la refermer.

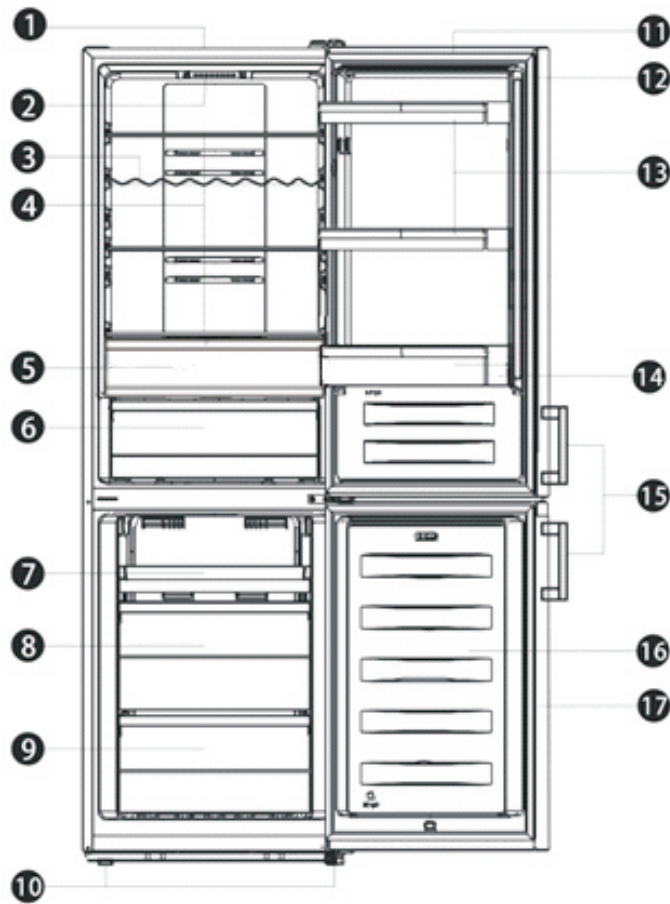


Remarque :

Si l'appareil dispose de poignées, il faut inverser les poignées en respectant les indications ci-dessous. Retirer la porte supérieure et la placer sur une surface lisse, panneau vers le haut. Soulever la partie ① et la partie ④, puis retirer les vis ②, comme indiqué à l'image. Placer la poignée ③ du côté droit, puis monter les vis ②, la partie ① et la partie ④, dans cet ordre.



4. DESCRIPTION DE L'APPAREIL



- | | |
|--|--|
| 1. Meuble | 10. Pieds de réglage |
| 2. Ampoules LED et réglage du thermostat | 11. Porte du réfrigérateur |
| 3. Clayette à vin | 12. Joint de la porte du réfrigérateur |
| 4. Clayettes en verre | 13. Balconnets supérieurs de la porte du réfrigérateur |
| 5. Bac à légumes supérieur | 14. Balconnet inférieur |
| 6. Bac à légumes | 15. Poignées (accessoires) |
| 7. Bac supérieur du congélateur | 16. Porte du congélateur |
| 8. Bac central du congélateur | 17. Joint de la porte du congélateur |
| 9. Bac inférieur du congélateur | |

Remarque :

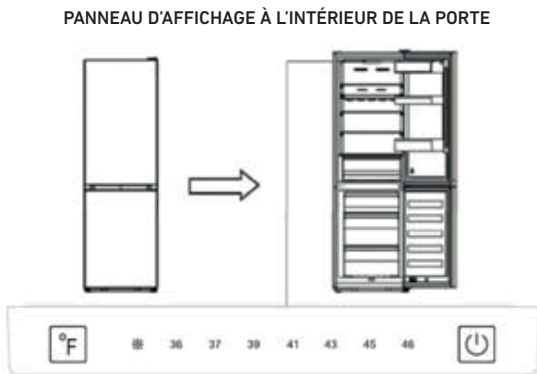
Le développement permanent de nos produits peut impliquer que certains éléments de votre réfrigérateur soient légèrement différents de ceux représentés dans ce manuel d'utilisation ; toutefois, leurs fonctions et leur utilisation restent identiques.

Remarque :

Pour avoir davantage d'espace dans le congélateur, il est possible de retirer les bacs (sauf le bac inférieur du compartiment de congélation). Afin d'assurer une efficacité énergétique optimale, toutes les clayettes et tous les bacs doivent être placés dans leurs positions d'origine, comme indiqué sur l'image ci-dessus.

5.1 Écran interne

Respecter ces instructions lors de l'utilisation de l'appareil. Le réfrigérateur est équipé des fonctions et des modes indiqués sur les images relatives au panneau d'affichage ci-dessous. Lorsque l'appareil est sous tension pour la première fois, les symboles situés sur l'écran d'affichage s'allument. Si aucune porte n'est ouverte et aucune touche n'est enfoncée, les témoins sur le panneau d'affichage s'éteignent.



5.2 Contrôle de la température

Lorsque le réfrigérateur est allumé pour la première fois, la température est réglée sur 39°F. Pour modifier la température, respecter les instructions suivantes.



Attention !

En réglant la température, vous réglez une température moyenne pour l'ensemble du compartiment de réfrigération. Les températures au sein de chaque compartiment peuvent différer des températures affichées sur le panneau, en fonction de la quantité d'aliments conservés et de la façon dont ils sont placés. La température ambiante peut également influencer sur la température réelle au sein de l'appareil.

Appuyer sur « °F » pour régler la température du réfrigérateur entre 36°F et 46°F, selon les besoins. Les températures s'affichent dans l'ordre suivant sur le panneau d'affichage :



5.3 Super-congélation (❄️)

La super-congélation permet d'abaisser rapidement la température au sein du congélateur pour que les aliments congèlent plus rapidement. Cela permet de mieux préserver les vitamines et les nutriments des aliments frais et de conserver les aliments plus longtemps.

Appuyer sur « °F » pendant 3 secondes pour activer le mode « Super-congélation ».

Lorsque le mode « Super-congélation » est sélectionné, le symbole correspondant s'allume et la température du congélateur est réglée sur -11°F.

Si une grande quantité d'aliments doit être congelée, attendre environ 24 heures avant de remplir le congélateur.

Le mode « Super-congélation » s'arrête automatiquement au bout de 52 heures et la température du congélateur retrouve son réglage précédent.

5.4 Interrupteur « ON / OFF » (⏻)

Cette touche permet d'allumer ou d'éteindre l'appareil.

Appuyer sur la touche « ON / OFF » pendant 3 secondes : un signal sonore est émis et l'appareil s'arrête.

Appuyer sur la touche « ON / OFF » pendant 1 seconde : un signal sonore est émis et l'appareil s'allume.

6. CONSEILS ET ASTUCES

6.1 Conseils pour économiser de l'énergie

Pour économiser de l'énergie, suivre les conseils ci-dessous.

- > Pour préserver la température, éviter de laisser la porte ouverte trop longtemps.
- > Installer l'appareil loin de toute source de chaleur (lumière directe du soleil, four électrique, cuisinière, etc.).
- > Ne pas régler l'appareil à une température plus froide que nécessaire.
- > Ne pas placer d'aliments chauds ou de liquides produisant de la vapeur dans l'appareil.
- > Placer l'appareil dans une pièce bien aérée et dépourvue d'humidité. Se référer au chapitre relatif à l'installation d'un nouvel appareil.
- > Si les bacs, le bac à légumes et les clayettes sont disposés comme sur le schéma, ne pas modifier cette configuration étant donné qu'elle est pensée afin d'assurer une efficacité énergétique optimale.

6.2 Conseils pour la réfrigération d'aliments frais

- > Ne pas placer d'aliments chauds directement dans le réfrigérateur ou le congélateur, car cela augmenterait la température interne, ce qui solliciterait énormément le compresseur et entraînerait une plus grande consommation d'énergie.
- > Recouvrir ou envelopper les aliments, surtout s'ils dégagent une odeur prononcée.
- > Placer les aliments de façon à permettre une bonne circulation de l'air autour d'eux.
- > Viande (tous types) : l'envelopper dans du film alimentaire et la placer sur la clayette en verre au-dessus du bac à légumes. Toujours respecter les recommandations relatives à la durée de conservation des aliments et consommer les aliments avant la date de péremption indiquée par le producteur.
- > Les aliments cuits, les plats froids, etc. doivent être couverts et peuvent être placés sur n'importe quelle clayette.
- > Fruits et légumes : ils doivent être conservés dans le bac prévu à cet effet.
- > Beurre et fromage : ils doivent être emballés hermétiquement dans du papier d'aluminium ou dans du film alimentaire.
- > Bouteilles de lait : elles doivent être dotées d'un bouchon et conservées dans les balconnets de la porte.

6.3 Conseils pour la congélation d'aliments

- > Lors de la première utilisation ou suite à une période de non-utilisation, laisser l'appareil fonctionner pendant au moins 2 heures, au réglage le plus froid, avant d'y placer des aliments.
- > Préparer les aliments en petites portions pour qu'ils congèlent rapidement et complètement et pour pouvoir ne décongeler que la quantité dont vous avez besoin.
- > Emballer hermétiquement les aliments dans du papier d'aluminium ou du film alimentaire en polyéthylène.
- > Faire en sorte que les aliments frais non congelés ne touchent pas les aliments déjà congelés pour éviter que la température de ces derniers n'augmente.
- > Les produits surgelés consommés immédiatement après avoir été sortis du congélateur peuvent provoquer des brûlures par le froid sur la peau.
- > Il est recommandé d'étiqueter et de dater chaque produit congelé afin de conserver une trace de la durée de conservation.
- > S'assurer que les aliments surgelés ont été correctement conservés par le vendeur.
- > Une fois décongelés, les aliments se détériorent rapidement et ne doivent pas être recongelés. Ne pas dépasser les durées limites de conservation indiquées par le producteur des aliments.

6.4 Arrêt de l'appareil

Si l'appareil doit être arrêté pendant une longue période, respecter les indications suivantes pour éviter l'apparition de moisissure au sein de l'appareil.

- 1) Retirer tous les aliments.
- 2) Débrancher la fiche d'alimentation de la prise de courant.
- 3) Nettoyer et sécher minutieusement l'intérieur de l'appareil.
- 4) S'assurer que toutes les portes restent légèrement ouvertes pour permettre à l'air de circuler.

Pour des raisons d'hygiène, l'appareil et tous ses accessoires intérieurs et extérieurs doivent être nettoyés régulièrement (au moins tous les deux mois).

**Attention !**

L'appareil ne doit pas être branché à l'alimentation électrique pendant son nettoyage : risque de décharge électrique !
Avant le nettoyage, arrêter l'appareil et débrancher la fiche de la prise de courant.

7.1 Nettoyage extérieur

Pour préserver l'aspect esthétique de l'appareil, il faut le nettoyer régulièrement.

- > Essuyer le panneau de commande avec un chiffon doux et propre.
- > Pulvériser de l'eau sur le chiffon plutôt que directement sur la surface de l'appareil. Cela permet une répartition homogène de l'humidité sur les surfaces.
- > Nettoyer les portes, poignées et surfaces des compartiments avec un détergent doux, puis essuyer avec un chiffon doux.

**Attention !**

> Ne pas utiliser d'objets coupants, ils pourraient rayer les surfaces.

> Pour le nettoyage, ne pas utiliser de diluants, détergents pour voiture, eau de Javel, huiles essentielles, nettoyants abrasifs, ni de solvants organiques tels que du benzène. Ils risqueraient d'endommager les surfaces de l'appareil et de provoquer un incendie.

7.2 Nettoyage intérieur

Nettoyer régulièrement l'intérieur de l'appareil. Le nettoyage est plus simple lorsque peu d'aliments se trouvent dans l'appareil. Nettoyer l'intérieur du réfrigérateur et du congélateur avec une solution de bicarbonate de soude, puis rincer avec de l'eau chaude et un chiffon ou une éponge humide. Essuyer soigneusement l'appareil avant de remettre les clayettes et les balconnets en place. Essuyer soigneusement toutes les surfaces et pièces amovibles avant de les remettre en place. Bien que cet appareil dégivre automatiquement, une couche de givre peut se former sur les parois du compartiment de congélation si la porte du congélateur est ouverte trop souvent ou trop longtemps. Si la couche de givre est trop épaisse, choisir un moment où peu d'aliments sont conservés et procéder comme suit:

1) Retirer tous les accessoires, bacs et aliments conservés, débrancher l'appareil de l'alimentation électrique et laisser les portes ouvertes. Bien aérer la pièce pour accélérer le processus.

2) Quand le dégivrage est terminé, nettoyer le congélateur comme indiqué ci-dessus.

**Attention !**

Ne pas utiliser d'objets coupants pour retirer le gel du compartiment de congélation. L'appareil ne doit être rebranché à l'alimentation électrique et rallumé que lorsque l'intérieur est complètement sec.

7.3 Nettoyage des joints de la porte

Veiller à garder les joints de la porte bien propres. Des boissons ou des aliments peuvent se déverser dans le compartiment et coller aux joints qui risquent de se déchirer lorsque la porte est ouverte. Nettoyer les joints avec un détergent doux et de l'eau chaude. Après le nettoyage, rincer et essuyer soigneusement.

**Attention !**

L'appareil ne doit être rallumé que lorsque les joints de la porte sont complètement secs.

7.4 Remplacement de l'ampoule LED

**Attention :**

L'utilisateur ne doit pas remplacer l'ampoule LED ! Si l'ampoule LED est endommagée, contacter le Service clients pour obtenir de l'aide.

8. ÉLIMINATION DE L'APPAREIL

Il est interdit d'éliminer cet appareil avec les déchets ménagers.

8.1 Matériaux d'emballage

Les matériaux d'emballage affichant le symbole du recyclage sont recyclables. Éliminer l'emballage dans un conteneur à déchets approprié afin de le recycler.

8.2 Avant d'éliminer l'appareil

- 1) Débrancher la fiche d'alimentation de la prise de courant.
- 2) Couper le câble d'alimentation et le jeter avec la fiche d'alimentation.



Attention !

Le réfrigérateur contient du réfrigérant, ainsi que des gaz au sein de l'isolation. Le réfrigérant et les gaz doivent être éliminés par un professionnel étant donné qu'ils peuvent provoquer des lésions oculaires ou s'enflammer. S'assurer que les tuyaux du circuit réfrigérant ne sont pas endommagés avant l'élimination.

ÉLIMINATION CORRECTE DU PRODUIT



La présence de ce symbole sur le produit ou sur son emballage indique que le produit ne peut pas être éliminé avec les déchets ménagers. Il doit être amené dans un centre de collecte approprié afin que les équipements électriques et électroniques soient correctement recyclés. En mettant correctement ce produit au rebut, vous aidez à prévenir les éventuelles conséquences négatives pour l'environnement et la santé des personnes qui sont favorisées par une mauvaise gestion des déchets. Pour obtenir de plus amples informations concernant le recyclage de ce produit, veuillez contacter les autorités locales pour en savoir plus sur les services de collecte des déchets ou le magasin au sein duquel le produit a été acheté.

Pour éviter la contamination des aliments, veuillez respecter les consignes suivantes :

- > Ouvrir la porte pendant un long moment peut faire monter la température de façon conséquente dans les compartiments de l'appareil.
- > Nettoyer régulièrement les surfaces en contact avec la nourriture et les systèmes d'évacuation accessibles.

> Conserver la viande et le poisson crus dans des récipients adaptés dans le réfrigérateur afin qu'ils ne contaminent aucun autre aliment.

> Les compartiments pour produits congelés « deux étoiles » sont adaptés pour conserver des produits pré-congelés, conserver ou préparer des glaces et des glaçons.

> Les compartiments à une, deux et trois « étoiles » ne conviennent pas pour la congélation d'aliments frais.

CATÉGORIE	TYPE de compartiment	Temp. de conservation idéale (°F)	Aliments adaptés
1	Réfrigérateur	+36 ~ +46	Œufs, aliments cuits, aliments emballés, fruits et légumes, produits laitiers, gâteaux, boissons et autres aliments qui ne peuvent pas être congelés.
2	(**)* - Congélateur	≤ 0	Produits de la mer (poisson, crevettes, crustacés), poissons et animaux d'eau douce, viandes (la durée recommandée est de 3 mois ; les valeurs nutritionnelles et le goût diminuent avec le temps). Convient à la congélation d'aliments frais.
3	*** - Congélateur	≤ 0	Produits de la mer (poisson, crevettes, crustacés), poissons et animaux d'eau douce, viandes (la durée recommandée est de 3 mois ; les valeurs nutritionnelles et le goût diminuent avec le temps). Ne convient pas à la congélation d'aliments frais.
4	** - Congélateur	≤ +10	Produits de la mer (poisson, crevettes, crustacés), poissons et animaux d'eau douce, viandes (la durée recommandée est de 2 mois ; les valeurs nutritionnelles et le goût diminuent avec le temps). Ne convient pas à la congélation d'aliments frais.
5	* - Congélateur	≤ +21	Produits de la mer (poisson, crevettes, crustacés), poissons et animaux d'eau douce, viandes (la durée recommandée est de 1 mois ; les valeurs nutritionnelles et le goût diminuent avec le temps). Ne convient pas à la congélation d'aliments frais.
6	Aucune étoile	+21 ~ +36	Porc, bœuf, poisson, poulet frais, certains aliments transformés emballés, etc. (il est recommandé de les consommer le jour même et de préférence pas après 3 jours). Aliments transformés partiellement emballés (aliments ne pouvant pas être congelés).
7	Refroidissement	+28 ~ +37	Porc, bœuf, poulet frais / surgelés, poissons et animaux d'eau douce, etc. (7 jours à moins de 32°F et, au-dessus de 32°F, il est recommandé de les consommer le jour même et de préférence pas après 2 jours). Produits de la mer (moins de 32°F pendant 15 jours, il n'est pas recommandé de les conserver à plus de 32°F).
8	Aliments frais	+32 ~ +39	Porc, bœuf, poisson, poulet frais, aliments cuits, etc. (il est recommandé de les consommer le jour même et de préférence pas après 3 jours).
9	Vin	+41 ~ +68	Vin rouge, blanc, effervescent, etc.



Remarque :

Conserver les différents aliments dans les compartiments selon la température de conservation de chaque produit.

Si l'appareil de réfrigération reste vide pendant de longues périodes, l'éteindre, le laisser décongeler, le nettoyer, le sécher et laisser la porte ouverte pour éviter que de la moisissure ne se forme dans l'appareil.

9. DÉCLARATION DE GARANTIE LIMITÉE DE DEUX ANS

COUVERTURE DE LA PRÉSENTE GARANTIE LIMITÉE

La garantie fournie par Bertazzoni Spa à travers le présent document s'applique exclusivement aux appareils et accessoires Bertazzoni vendus neufs au propriétaire d'origine par un distributeur, revendeur ou centre d'assistance autorisé par Bertazzoni, installé aux États-Unis ou au Canada. La garantie fournie dans ce document n'est pas cessible et entre en vigueur à la date d'installation.

La garantie fournie par Bertazzoni Spa (« Bertazzoni ») à travers le présent document s'applique exclusivement à l'appareil Bertazzoni d'origine (« Produit ») vendu au client (« Acheteur ») par un distributeur, revendeur ou détaillant autorisé par Bertazzoni, acheté et installé aux États-Unis, dans le District de Columbia, ou au Canada, qui est toujours resté dans le pays d'achat d'origine (États-Unis, District de Columbia, ou Canada).

La couverture de la garantie prend effet à compter de la date d'achat au détail d'origine du Produit et a une durée de **deux (2) ans**.

La couverture de la garantie n'est pas cessible.

En cas de remplacement de pièces ou de l'ensemble du produit, le Produit ou les pièces de remplacement sont protégés pendant le reste de la période de garantie d'origine sur présentation du document prouvant l'achat au détail du produit d'origine. La période de garantie n'est pas prolongée en cas de remplacement.

Bertazzoni S.p.A. réparera ou remplacera tout composant en panne ou défectueux du fait des matériaux et/ou de la fabrication pendant 2 ans à compter de la date d'achat au détail d'origine et uniquement dans le cadre d'un usage domestique normal et non commercial.

Les réparations ou remplacements ne seront pas facturés et comprennent la main-d'œuvre au taux standard et les frais de transport. L'acheteur a la responsabilité de rendre le Produit raisonnablement accessible en cas d'assistance. Les réparations doivent être réalisées par un prestataire de services de maintenance autorisé par Bertazzoni, aux heures de travail normales. Les heures de main-d'œuvre supplémentaires ou majorées ne sont pas couvertes par la Garantie.



IMPORTANT :

Conserver les documents attestant l'achat original afin de déterminer la période de garantie.

La responsabilité de Bertazzoni relative à toute demande ou réclamation, de quelque nature que ce soit, concernant les biens ou services fournis ne pourra en aucun cas dépasser la valeur des biens ou services, ou partie de ceux-ci, à l'origine de la réclamation.

Garantie esthétique de 30 jours

Au moment de la livraison, l'Acheteur doit inspecter le Produit.

Bertazzoni garantit que le Produit est dépourvu de tout défaut de fabrication du fait des matériaux et/ou de la main-d'œuvre pendant une période de trente (30) jours à compter de la date d'achat au détail d'origine du Produit.

Cette couverture inclut :

- > Imperfections de la peinture.
- > Éclats.
- > Défauts superficiels macroscopiques.

La garantie esthétique NE COUVRE PAS :

- > Les problèmes qui résultent d'un transport, d'une manipulation ou d'une installation incorrect(e) (par exemple les structures ou composants présentant des bosses, cassés, enfoncés ou déformés, ou les parties en verre brisées).
- > Les légères différences de couleurs des éléments peints / émaillés.
- > Les différences liées à l'éclairage naturel ou artificiel, l'emplacement ou d'autres facteurs similaires.
- > Les taches, la corrosion et la décoloration causées par des substances externes ou des facteurs environnementaux.
- > **Les frais liés à la main-d'œuvre, l'écran, le sol, les articles d'occasion, les appareils déballés, les appareils vendus « en l'état » et les articles de démonstration.**

COMMENT FAIRE INTERVENIR L'ASSISTANCE

Pour faire appliquer la garantie, l'Acheteur doit contacter l'Assistance Bertazzoni afin d'identifier les problèmes et de connaître les procédures à suivre.

Le numéro du modèle, le numéro de série et la date d'achat au détail d'origine lui seront demandés.



IMPORTANT :

Conserver les documents attestant l'achat original afin de déterminer la période de garantie.

En cas d'installation aux États-Unis :

866 905 0010

<https://us.bertazzoni.com/more/support>

En cas d'installation au Canada :

800 561 7265

<https://ca.bertazzoni.com/more/support>

EXCLUSIONS DE GARANTIE - CE QUE LA GARANTIE NE COUVRE PAS

- > Utilisation du Produit dans le cadre d'un usage non domestique, commercial.
- > Utilisation du Produit différente de l'usage prévu.
- > Réparations effectuées par un opérateur autre qu'un prestataire de services autorisé par Bertazzoni.
- > Dommages ou réparations réalisés afin de corriger une réparation effectuée par une société non autorisée ou par l'utilisation de composants non autorisés.
- > Installation non conforme à la réglementation en vigueur en matière de prévention des incendies, d'électricité, de gaz, de plomberie et de construction.
- > Défauts ou dommages dus à un entreposage inapproprié du Produit.
- > Défauts, dommages ou pièces manquantes concernant des produits vendus sans leur emballage d'origine ou des produits de démonstration.
- > Interventions ou réparations visant à rectifier la mauvaise installation du produit et/ou de ses accessoires.
- > Remplacements de composants / interventions visant à raccorder, convertir ou réparer le câblage électrique et/ou la conduite d'alimentation en gaz afin d'utiliser correctement le produit.
- > Remplacements de composants / interventions visant à fournir des instructions sur l'utilisation du Produit.
- > Remplacements de composants / interventions visant à corriger des problèmes résultant d'une utilisation du produit autre qu'une utilisation normale et habituelle dans le cadre domestique.
- > Remplacements de composants / interventions liés à l'usure comme les joints, les molettes, les supports de casserole, les clayettes, les paniers à couverts, les boutons, les touches de l'écran, les surfaces vitrocéramiques rayées ou cassées.
- > Remplacements de composants / interventions liés à l'absence d'entretien ou à un entretien inapproprié, par exemple : accumulation de résidus, taches, rayures, décoloration, corrosion.
- > Remplacements de composants en verre et d'ampoules plus de 30 jours après la date d'achat au détail d'origine.
- > Défauts et dommages résultant d'un accident, d'une modification, d'une mauvaise utilisation, d'un abus, d'une installation inappropriée.
- > Défauts et dommages résultant du transport, de la logistique et de la manipulation du Produit. Le Produit doit être contrôlé au moment de la livraison. Tout problème lié à la manipulation, au transport ou à la logistique doit être signalé au vendeur / à la société de livraison après réception et inspection.

- > Défauts et dommages résultant de facteurs externes échappant au contrôle de Bertazzoni SpA, incluant, sans s'y limiter, le vent, la pluie, le sable, les incendies, les inondations, les coulées de boue, le gel, une humidité excessive ou une exposition prolongée à l'humidité, les surtensions, la foudre, les défaillances structurales à proximité de l'appareil et toute autre catastrophe naturelle.
- > Produits dont le numéro de série a été modifié, endommagé, altéré.

Bertazzoni ne pourra en aucun cas être tenue responsable de dommages aux biens environnants comme le mobilier, les meubles, le sol, les panneaux et autres structures à proximité du Produit.

Bertazzoni décline toute responsabilité relative au Produit si celui-ci est situé dans une région isolée ou dans une zone où des techniciens formés ne pourraient raisonnablement se rendre. L'Acheteur prendra à sa charge les frais d'expédition et de transport du Produit jusqu'au centre de maintenance autorisé le plus proche ou les frais de déplacement additionnels d'un technicien formé et certifié.

IL N'EXISTE AUCUNE AUTRE GARANTIE EXPLICITE QUE CELLES PRÉCITÉES, NI AUCUNE AUTRE GARANTIE EXPLICITE OU IMPLICITE, INCLUANT, MAIS SANS S'Y LIMITER, TOUTE GARANTIE IMPLICITE DE QUALITÉ MARCHANDE OU DE CONVENANCE À UNE FIN PARTICULIÈRE, APPLICABLE APRÈS LA PÉRIODE DE GARANTIE EXPLICITE SUSMENTIONNÉE, ET AUCUNE AUTRE GARANTIE EXPLICITE DONNÉE PAR UNE PERSONNE, UNE ENTREPRISE OU UNE SOCIÉTÉ CONCERNANT CE PRODUIT N'ENGAGE LA RESPONSABILITÉ DE BERTAZZONI. BERTAZZONI DÉCLINE TOUTE RESPONSABILITÉ EN CAS DE PERTE DE CHIFFRE D'AFFAIRES OU DE PROFITS, D'IMPOSSIBILITÉ DE RÉALISER DES ÉCONOMIES OU D'AUTRES BÉNÉFICES, ABSENCE DU TRAVAIL, REPAS, PERTE D'ALIMENTS OU DE BOISSONS, FRAIS DE DÉPLACEMENT OU D'HÉBERGEMENT, FRAIS DE LOCATION OU D'ACHAT D'ÉQUIPEMENTS, FRAIS DE RÉNOVATION / CONSTRUCTION DÉPASSANT LES DOMMAGES DIRECTS RÉSULTANT DE FAUTES EXCLUSIVEMENT IMPUTABLES À BERTAZZONI, OU TOUT AUTRE DOMMAGE SPÉCIAL, ACCIDENTEL OU INDIRECT CAUSÉ PAR L'UTILISATION, LA MAUVAISE UTILISATION OU L'INCAPACITÉ À UTILISER LE PRODUIT, SANS ÉGARD POUR LA NATURE JURIDIQUE DU DROIT REVENDIQUÉ, ET CELA MÊME SI BERTAZZONI A ÉTÉ INFORMÉE DE LA POSSIBILITÉ DE TELS DOMMAGES. AUCUN REMBOURSEMENT DEMANDÉ À BERTAZZONI

NE POURRA ÊTRE SUPÉRIEUR AU PRIX D'ACHAT DU PRODUIT VENDU PAR BERTAZZONI AYANT CAUSÉ LES DOMMAGES EN QUESTION. SANS LIMITER LA PORTÉE DE CE QUI PRÉCÈDE, L'ACHETEUR ASSUME TOUS LES RISQUES ET LA RESPONSABILITÉ EN CAS DE PERTES, DE DOMMAGES OU DE BLESSURES À L'ACHETEUR OU À SES BIENS, AINSI QU'ÀUX TIERCES PERSONNES OU À LEURS BIENS, CAUSÉS PAR L'UTILISATION, LA MAUVAISE UTILISATION OU L'INCAPACITÉ À UTILISER LE PRODUIT VENDU PAR BERTAZZONI, NON DIRECTEMENT CAUSÉS PAR LA NÉGLIGENCE DE BERTAZZONI.

LA PRÉSENTE GARANTIE LIMITÉE NE S'ÉTEND À PERSONNE D'AUTRE QUE L'ACHETEUR ORIGINAL DE CE PRODUIT, ELLE N'EST PAS CESSIBLE ET REPRÉSENTE VOTRE UNIQUE RECOURS.

Bertazzoni décline toute responsabilité en cas de dommages indirects ou consécutifs à l'utilisation du produit. Certains états n'autorisent pas l'exclusion ou la limitation de responsabilité en cas de dommages indirects ou consécutifs ; par conséquent, la limitation ou l'exclusion susmentionnée pourrait ne pas s'appliquer à votre cas. La présente garantie vous confère des droits juridiques spécifiques. Vous pourriez également bénéficier d'autres droits, susceptibles de varier d'un état ou d'une province à l'autre.

Pour toute question concernant la présente Garantie limitée, veuillez contacter le Service clients Bertazzoni :

En cas d'installation aux États-Unis :

866 905 0010

<https://us.bertazzoni.com/more/support>

En cas d'installation au Canada :

800 561 7265

<https://ca.bertazzoni.com/more/support>

1 INFORMACIÓN Y ADVERTENCIAS DE SEGURIDAD	40
1.1 Seguridad de niños y personas vulnerables	40
1.2 Seguridad general	40
1.3 Sustitución de las luces	41
1.4 Refrigerante	41
1.5 Seguridad eléctrica	41
1.6 Uso diario	42
1.7 Precauciones de limpieza y mantenimiento	42
1.8 Precauciones previas a la instalación	43
1.9 Asistencia	43
2 INSTALACIÓN DEL NUEVO APARATO	43
2.1 Instalación del nuevo aparato	43
2.2 Ventilación del aparato	43
2.3 Nivelación del aparato	44
3 CAMBIAR EL SENTIDO DE APERTURA DE LA PUERTA	44
3.1 Cambiar el sentido de apertura de la puerta	44
3.2 Herramientas necesarias	44
4 DESCRIPCIÓN DEL APARATO	48
5 CONTROLES DE LA PANTALLA	49
5.1 Pantalla interna	49
5.2 Control de la temperatura	49
5.3 Super Freeze	49
5.4 El interruptor de encendido/apagado	49
6 SUGERENCIAS Y CONSEJOS ÚTILES	50
6.1 Consejos para ahorrar energía	50
6.2 Consejos para refrigerar alimentos frescos	50
6.3 Consejos para congelar alimentos	50
6.4 Apagar el aparato	50
7 LIMPIEZA Y MANTENIMIENTO	51
7.1 Limpieza externa	51
7.2 Limpieza interna	51
7.3 Limpieza de las juntas de la puerta	51
7.4 Sustitución de la luz LED	51
8 ELIMINACIÓN DEL APARATO	52
8.1 Materiales de embalaje	52
8.2 Antes de desechar el aparato	52
9 DECLARACIÓN DE GARANTÍA LIMITADA DE DOS AÑOS	54

1. INFORMACIÓN Y ADVERTENCIAS DE SEGURIDAD



Por su seguridad y para garantizar un uso correcto, lea con detenimiento este manual del usuario, incluidos sus consejos y advertencias, antes de instalar y utilizar el aparato por primera vez. Para evitar errores y accidentes innecesarios, es importante asegurarse de que todo aquel que utilice el aparato esté familiarizado con su funcionamiento y con sus mecanismos de seguridad. Mantenga estas instrucciones a buen recaudo y asegúrese de conservarlas junto al aparato si lo traslada o vende, de tal forma que cualquiera que lo utilice durante toda su vida útil disponga de la información adecuada sobre cómo utilizarlo de forma segura.

Para prevenir lesiones personales y daños a la propiedad, preste atención a las advertencias contenidas en estas instrucciones para el usuario; el fabricante no asume ninguna responsabilidad por los daños derivados de la omisión y el incumplimiento de dichas directrices.

1.1 Seguridad de niños y personas vulnerables

> Al amparo de la norma EN:

Este electrodoméstico puede ser utilizado por niños a partir de 8 años, por personas con capacidades físicas, sensoriales o psíquicas disminuidas o que no tengan experiencia y conocimientos suficientes, siempre y cuando se encuentren bajo la supervisión o hayan recibido instrucciones sobre el uso seguro del electrodoméstico y comprendan los riesgos que implica. No permita que los niños jueguen con el electrodoméstico. La limpieza y el mantenimiento no deben realizarlos niños sin supervisión. Los niños de entre 3 y 8 años pueden meter y sacar alimentos almacenados en refrigeradores.

> Al amparo de la norma UL:

No está previsto que este aparato sea utilizado por niños menores de 3 años o por personas (incluidos niños) con capacidades físicas, sensoriales o psíquicas disminuidas o falta de experiencia y conocimientos, salvo que lo hagan bajo la supervisión o siguiendo las instrucciones sobre el uso del aparato impartidas por una persona responsable de su seguridad.

> En presencia de niños, es necesario vigilarlos para impedir que jueguen con el aparato.

> Mantenga todo el material de embalaje fuera del alcance de los niños, entraña un riesgo de asfixia.

> Al desechar el aparato, desenchúfelo de la toma de corriente, corte el cable de alimentación (lo más cerca posible del aparato) y quite las puertas para evitar que los niños que puedan jugar con el se electrocuten o se queden encerrados en su interior.

> Si este aparato, con juntas magnéticas en las puertas, sustituye a un electrodoméstico más antiguo con una cerradura de resorte (pestillo) en la puerta, asegúrese de romper esa cerradura de resorte antes de desechar el antiguo aparato, para evitar cualquier lesión personal.

1.2 Seguridad general



Advertencia

Este aparato ha sido diseñado para utilizarse en entornos residenciales y para otras aplicaciones similares, como:

> áreas de cocina para el personal en tiendas, oficinas y otros entornos de trabajo;

> casas de campo, hoteles, moteles y otros entornos de tipo residencial;

> infraestructuras tipo *bed & breakfast*;

> catering y aplicaciones similares no minoristas.



Advertencia

No guarde dentro de este aparato sustancias explosivas, como bombonas de aerosol con un gas propelente inflamable.



Advertencia

Si el cable de alimentación presenta daños, debe ser sustituido por el fabricante, su técnico de mantenimiento o por otra persona con una cualificación similar, con vistas a protegerse frente a cualquier peligro.



Advertencia

Mantenga libres de obstrucciones las aberturas de ventilación del aparato o del mueble donde esté empotrado.



Advertencia

No utilice dispositivos mecánicos ni otros medios para acelerar el proceso de descongelación, salvo que estén recomendados por el fabricante.

**Advertencia**

No dañe el circuito del refrigerante.

**Advertencia**

No utilice aparatos eléctricos dentro de los compartimentos de la unidad destinados a los alimentos, amenos que sean de un tipo recomendado por el fabricante.

**Advertencia**

Tanto el refrigerante como el gas de soplado del aislamiento son inflamables. Al desechar el aparato, hágalo únicamente en un centro de eliminación de residuos autorizado. No exponga el aparato a una llama abierta.

**Advertencia**

Al colocar el electrodoméstico, asegúrese de que el cable de alimentación no quede atrapado o sufra cualquier daño.

**Advertencia**

No utilice regletas múltiples ni fuentes de alimentación portátiles en la parte trasera del electrodoméstico.

1.3 Sustitución de las luces

**Advertencia**

¡El usuario nunca debe sustituir las luces! Si las luces se dañan, contacte con la línea telefónica de ayuda al cliente para recibir asistencia.


1.4 Refrigerante

El circuito de refrigerante del aparato contiene el refrigerante isobutano (R600a), un gas natural con un grado elevado de compatibilidad medioambiental que, no obstante, es inflamable. Durante el transporte y la instalación del aparato, asegúrese de que ninguno de los componentes del circuito de refrigeración resulte dañado. El refrigerante (R600a) es inflamable.

**Advertencia**

Los refrigeradores contienen refrigerante, así como otros gases en el aislamiento. El refrigerante y los gases deben eliminarse de manera profesional, porque pueden provocar lesiones oculares o inflamarse. Asegúrese de que la tubería del circuito del refrigerante no esté dañada antes de desecharla adecuadamente.



El símbolo  es una advertencia e indica que el refrigerante y el gas de soplado del aislamiento son inflamables.

ADVERTENCIA: Peligro de incendio / Materiales inflamables

Si el circuito del refrigerante sufre algún daño:

- > Evite las llamas abiertas y las fuentes de ignición.
- > Ventile bien la habitación en la que se encuentra el aparato.

Es peligroso alterar las especificaciones o hacer cualquier modificación en este producto.

Cualquier daño en el cable puede provocar un cortocircuito, un incendio y/o una descarga eléctrica.

1.5 Seguridad eléctrica



- 1) No utilice un cable alargador con este aparato.
- 2) Asegúrese de que el enchufe no esté aplastado ni dañado. Un enchufe aplastado o dañado puede sobrecalentarse y provocar un incendio.
- 3) Asegúrese de poder acceder al enchufe que conecta el aparato a la toma de corriente doméstica.
- 4) No tire del cable de alimentación.
- 5) Si la toma de corriente está floja, no meta el enchufe. Existe riesgo de descarga eléctrica o incendio.
- 6) No debe utilizar el aparato si los protectores de la iluminación interior no están en su sitio.

7) El frigorífico solo puede funcionar con una corriente de alimentación monofásica alterna de 115 V/60 Hz. Si la fluctuación de la tensión en la zona del usuario es tan grande que la tensión supera el rango indicado más arriba, por su seguridad, asegúrese de instalar un regulador automático de tensión CA de más de 350 W para el frigorífico. El aparato debería enchufarse a un circuito específico y a una toma de corriente con protección de fallo de arco o GFCI. Su clavija debe encajar en la toma, que debe estar equipada con un cable de puesta a tierra.

1.6 Uso diario

- > No guarde gases ni líquidos inflamables en el aparato, esto entraña un riesgo de explosión.
- > No ponga en marcha ningún aparato eléctrico dentro del electrodoméstico (como heladeras eléctricas, batidoras, etc.).
- > Al desenchufarlo, tire siempre directamente del enchufe para sacarlo de la toma, no tire del cable.
- > No coloque elementos calientes cerca de los componentes de plástico del aparato.
- > No ponga productos alimentarios justo delante del conducto de ventilación situado en la pared trasera.
- > Conserve los alimentos congelados preenvasados de acuerdo con las instrucciones del fabricante de dichos alimentos congelados.
- > Respete estrictamente las recomendaciones de conservación. Consulte las instrucciones de conservación correspondientes.
- > No meta bebidas carbonatadas ni refrescos de burbujas en el compartimento congelador, porque esto genera presión en el recipiente que puede llegar a explotar, dañando el aparato.
- > Los alimentos congelados pueden provocar quemaduras por frío si se consumen recién sacados del compartimento congelador.
- > No instale el aparato bajo la luz solar directa.
- > Mantenga velas, lámparas y otros objetos con llamas abiertas alejados del aparato, porque pueden hacer que se incendie.
- > El uso previsto del aparato es la conservación de alimentos y/o bebidas en entornos domésticos normales. El aparato es muy pesado, así que tenga cuidado al moverlo.

- > No saque ni toque ningún producto del compartimento congelador si sus manos están húmedas/mojadas: puede sufrir abrasiones en la piel o quemaduras por frío.
- > No utilice nunca la base, los cajones, las puertas, etc. para subirse encima o como soportes.
- > Los alimentos congelados no se deben volver a congelar después de descongelarlos.
- > No consuma polos ni cubitos de hielo recién sacados del congelador: puede sufrir quemaduras por frío en la boca y los labios.
- > Para evitar que los artículos se caigan y provoquen lesiones corporales o daños al aparato, no sobrecargue los estantes de la puerta ni abarrote los cajones para las verduras.
- > Este aparato refrigerador no está diseñado para utilizarse como electrodoméstico empotrado.
- > Mantenga los medicamentos alejados del compartimento congelador y de los conductos de ventilación para evitar la formación de cristales de hielo que puedan dañar los medicamentos. No almacene los medicamentos en la puerta del refrigerador, porque cada vez que se abra la puerta del refrigerador estarán expuestos a oscilaciones de la temperatura.

1.7 Precauciones de limpieza y mantenimiento



- > Antes de hacer el mantenimiento, apague el aparato y desconecte el enchufe de la toma de corriente.
- > No utilice objetos metálicos, limpiadoras a vapor, aceites esenciales, disolventes orgánicos ni limpiadores abrasivos para limpiar el aparato.
- > No utilice objetos afilados para eliminar la escarcha del aparato, utilice siempre una rasqueta de plástico en su lugar.

1.8 Precauciones previas a la instalación

- > Para conectar el aparato a una toma de corriente, siga atentamente las instrucciones de este manual. Desempaquete el aparato y compruebe si presenta algún daño.
- > No conecte el aparato si está dañado. Comunique cualquier posible daño de inmediato al establecimiento donde haya adquirido el aparato. Si detecta algún daño, conserve el embalaje.
- > Recomendamos esperar al menos cuatro horas antes de conectar el aparato a la toma de corriente, para que el aceite vuelva a circular de vuelta al compresor.
- > Alrededor del electrodoméstico debe haber una buena circulación del aire para evitar que se sobrecaliente. Para asegurarse de que la ventilación sea suficiente, siga las instrucciones de instalación.
- > En la medida de lo posible, la parte trasera del producto no debería situarse demasiado cerca de una pared, de lo contrario, algunos componentes, como el compresor y el condensador, podrían sobrecalentarse. Para evitar el riesgo de incendio, siga las instrucciones de instalación.
- > El aparato no debe situarse cerca de radiadores o de los fogones de la cocina.
- > Asegúrese de que el enchufe siga estando accesible después de instalar el aparato.

1.9 Asistencia

- > Cualquier intervención eléctrica necesaria para que el aparato funcione deberá realizarla un electricista cualificado u otra persona cualificada.
- > El mantenimiento de este producto debe realizarlo un Centro de Asistencia autorizado y solo deben usarse recambios originales:
 - 1) si el aparato es Frost Free (desescarchado automático).
 - 2) si el aparato contiene un compartimento congelador.

2.1 Instalación del nuevo aparato

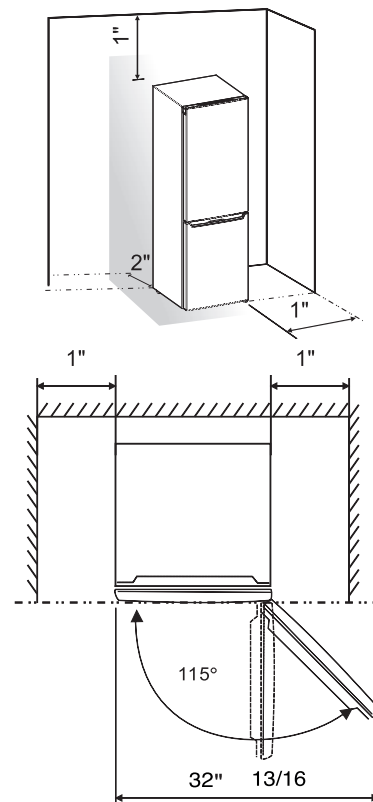
Antes de usar el aparato por primera vez, debería familiarizarse con la siguiente información.

2.2 Ventilación del aparato



Nota
Para mejorar la eficiencia energética del sistema de refrigeración, es necesario mantener una buena ventilación alrededor del aparato para que se disipe el calor. Por este motivo, debería dejar un espacio libre suficiente alrededor del refrigerador.

Recomendamos dejar un espacio libre de 2" en la parte trasera del aparato, de al menos 1" entre la parte superior y el techo/otros armarios, al menos 1" entre sus laterales y las paredes/armarios y un espacio libre por delante para que las puertas puedan abrirse 115°, tal y como se muestra en las imágenes a continuación.



3. CAMBIAR EL SENTIDO DE APERTURA DE LA PUERTA



Nota

> Este aparato ha sido diseñado para funcionar en una clase climática entre 55~110 °F. Es posible que no funcione bien si se deja a una temperatura superior o inferior al rango indicado durante un periodo de tiempo prolongado.

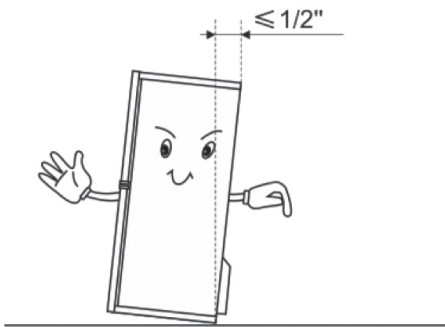
> Instale el aparato en un lugar seco, para evitar niveles altos de humedad.

> Mantenga el aparato alejado de la luz solar directa, la lluvia y la escarcha. Sitúe el aparato lejos de fuentes de calor, como estufas, fuegos o calentadores.

2.3 Nivelación del aparato

> Para asegurarse de que el aparato esté bien nivelado y la circulación del aire en la sección trasera inferior del aparato sea suficiente, las patas de la parte inferior deben ajustarse. Puede ajustarlas a mano o con la llave adecuada.

> Para que las puertas se cierren solas, incline la parte superior hacia atrás 1/2".



3.1 Cambiar el sentido de apertura de la puerta

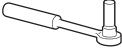



El sentido de apertura de la puerta puede modificarse, de la derecha (como va configurado de serie) a la izquierda, si la ubicación de la instalación así lo requiere.



¡Advertencia!

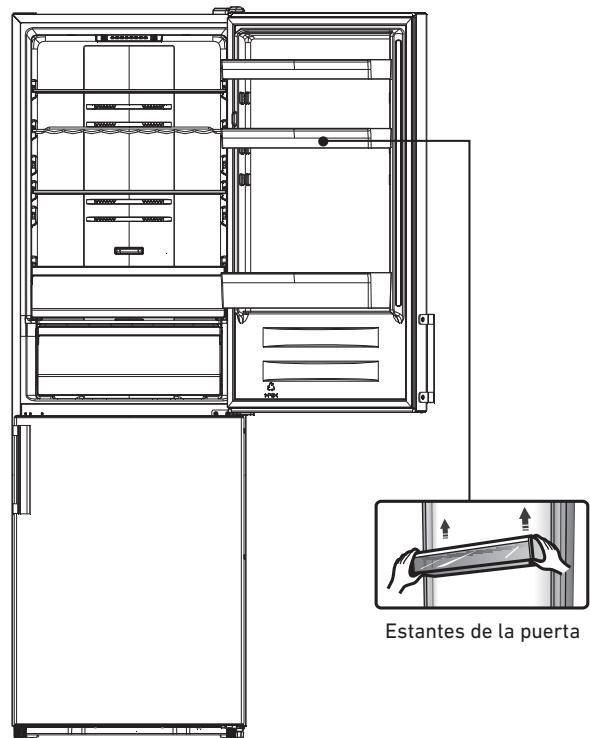
Al cambiar el sentido de apertura de la puerta, el aparato no debe estar conectado a la toma de corriente doméstica. Asegúrese de que el enchufe esté desconectado de la toma de corriente.

3.2 Herramientas necesarias

No incluidas de serie	
	
Llave tubular de 8 mm	Destornillador de punta plana
	
Destornillador Phillips	Llave de 8 mm

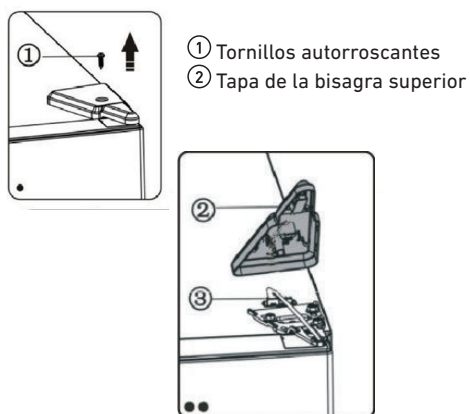
> Cuando sea necesario, incline el refrigerador hacia atrás para poder acceder a la base; apoye el aparato sobre un embalaje de espuma blanda u otro material similar para evitar daños en el panel trasero del refrigerador. Para cambiar el sentido de apertura de la puerta, los pasos necesarios suelen ser los que se indican a continuación. Las imágenes pueden mostrar modelos diferentes. Los modelos se identificarán en las imágenes. Si alguna de las piezas no aparece en una imagen, ignore cualquier descripción correspondiente a esa pieza.

1) Ponga el refrigerador en vertical. Abra la puerta superior para sacar todos los estantes de la puerta (para evitar que puedan dañarse) y cierre la puerta.



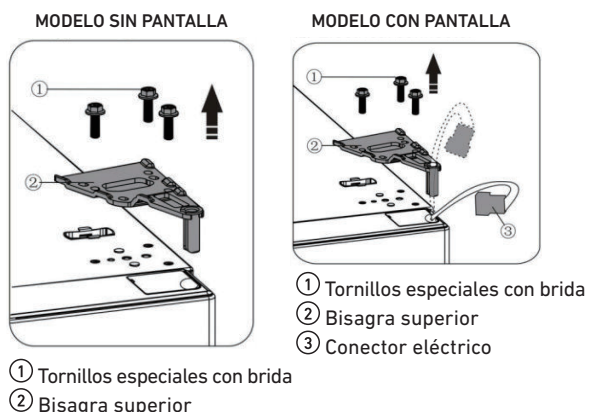
Estantes de la puerta

2) Quite la pieza ① y suelte la pieza ② del lado superior derecho del refrigerador.



- ① Tornillos autorroscantes
- ② Tapa de la bisagra superior

3) Quite los tornillos ① y la bisagra ②. Si el refrigerador tiene una pantalla en la puerta, tendrá que pasar el conector ③ a través del orificio de la bisagra ②. (Sujete la puerta superior con la mano durante la instalación).



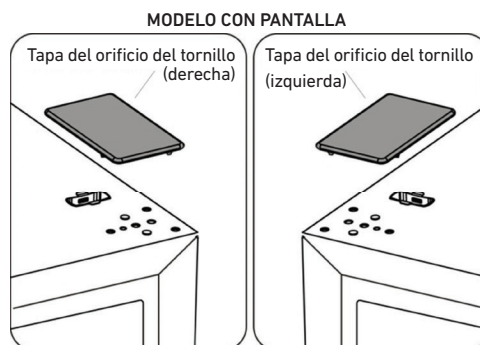
- ① Tornillos especiales con brida
- ② Bisagra superior

4) Desmonte la puerta superior de bisagra de en medio levantando con cuidado la puerta hacia arriba. A continuación, coloque la puerta superior sobre una superficie plana con la cubierta superior mirando hacia arriba.

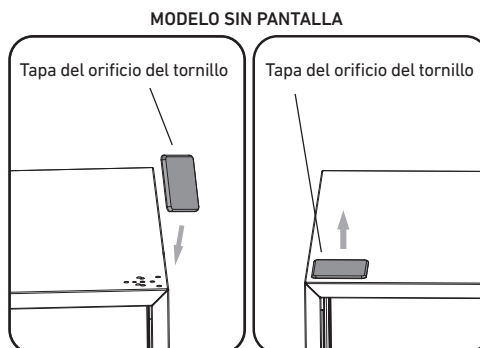


5) Si el refrigerador tiene una pantalla en la puerta, saque una tapa para los orificios de los tornillos (derecha) de la bolsa de plástico e instálela en el lado superior derecho del cuerpo del refrigerador.

A continuación, quite la tapa para los orificios de los tornillos (izquierda) del lado superior izquierdo del aparato y métala en la bolsa de plástico. Si el refrigerador tiene una pantalla interna, saque la tapa para los orificios de los tornillos del lado izquierdo e instálela en el lado derecho.

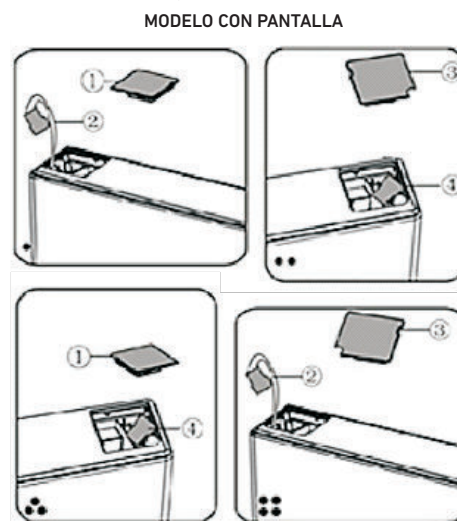


MODELO CON PANTALLA



MODELO SIN PANTALLA

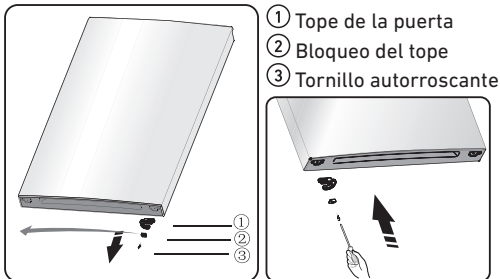
6) Si el refrigerador tiene una pantalla en la puerta, quite la pieza ① del lado superior izquierdo de la cubierta superior y quite la pieza ②. Luego quite la pieza ③ y ponga la pieza ④ en el lado superior derecho de la cubierta superior. Tomando como referencia la operación anterior, instale la pieza ③ y la pieza ④ en el lado superior izquierdo de la cubierta superior. Instale la pieza ① en el lado superior derecho de la cubierta superior. Si el refrigerador tiene una pantalla interna, sátese este paso.



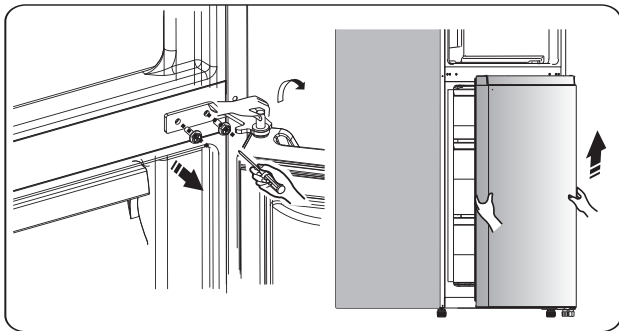
MODELO CON PANTALLA

- ① Tapa de la esquina (izquierda)
- ② Conector eléctrico (izquierda)
- ③ Tapa de la esquina (derecha)
- ④ Conector eléctrico (derecha)

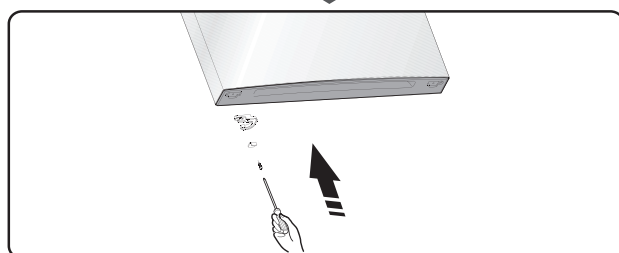
7) Afloje el tornillo ③ y desmonte la pieza ② y la pieza ①; instale el tope de la puerta de repuesto (izquierda) ④ suministrado (en la bolsa de plástico) y la pieza ② (bloqueo del tope) en el lado izquierdo, con el tornillo ③. Conserve la pieza ① junto con el aparato por si la necesita en el futuro.



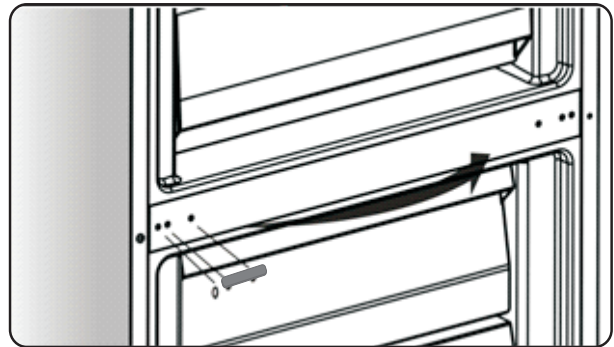
8) Afloje los tornillos utilizados para fijar la bisagra de en medio y quítela. Luego, quite la puerta inferior.



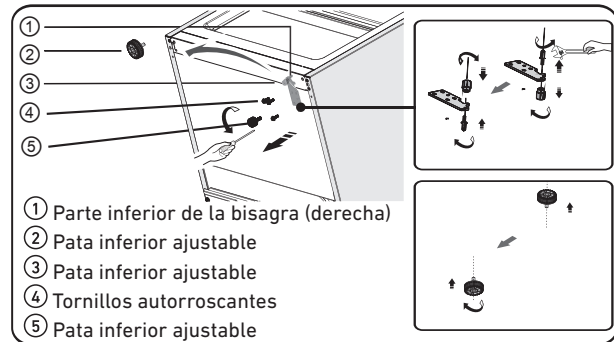
9) Coloque la puerta inferior sobre una superficie plana con su panel mirando hacia arriba. Afloje el tornillo ③ y desmonte la pieza ② y la pieza ①, instale el tope de la puerta de repuesto (izquierda) ④ suministrado (en la bolsa de plástico) y la pieza ② (bloqueo del tope) en el lado izquierdo, con el tornillo ③. Conserve la pieza ① junto con el aparato por si la necesita en el futuro.



10) Mueva las tapas para los orificios de los tornillos de la placa de la cubierta central de izquierda a derecha (como se indica en la figura de abajo).



11) Incline el refrigerador hacia atrás y quite la pieza ②.

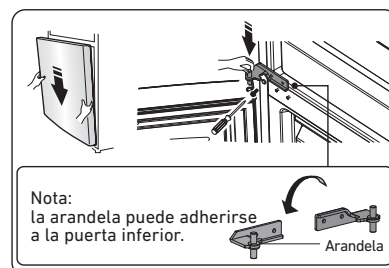


12) Quite la pieza ③ del eje de la bisagra inferior, saque y quite el eje de la bisagra inferior, muévelo al orificio contrario y apriételo hasta colocarlo en su sitio. A continuación, instale la pieza ③ en el eje de la bisagra inferior.

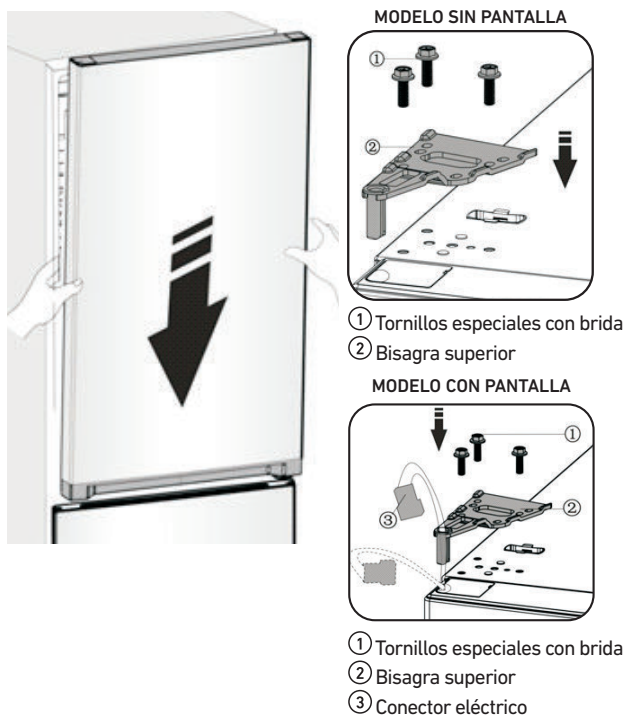
13) Sustituya las piezas quitadas en el paso 11, mueva la pieza ① al lado izquierdo y, a continuación, fíjelas con tornillos ④. Instale la pieza ② en último lugar.



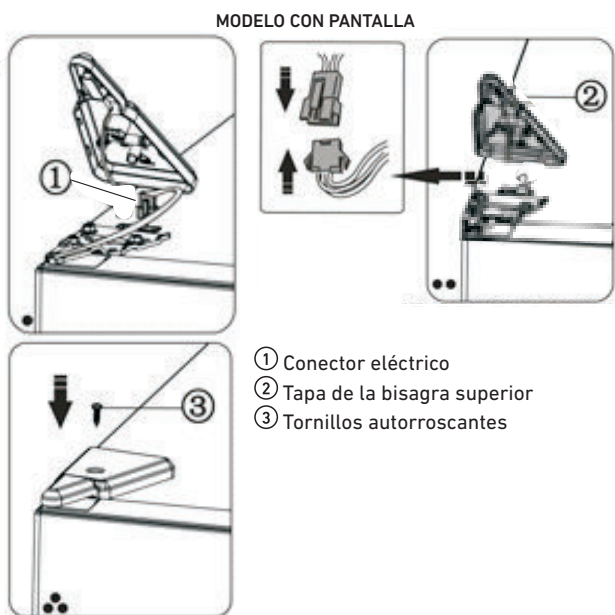
14) Monte la puerta inferior en el eje de la bisagra inferior y sujétela en su sitio. Gire la bisagra central 180°, enroscando la arandela sobre su eje para que quede sobre la parte inferior, ajuste la bisagra central en la posición adecuada y luego instálela, pero cerciórese de que la puerta inferior está en una posición estable.



15) Mueva la puerta superior a la posición correspondiente y, a continuación, fije la pieza ② con los tornillos ①. Antes de fijar la pieza ②, pase el conector ③ a través de la bisagra ② (consulte el paso 3). (Sujete la puerta superior con la mano durante la instalación)

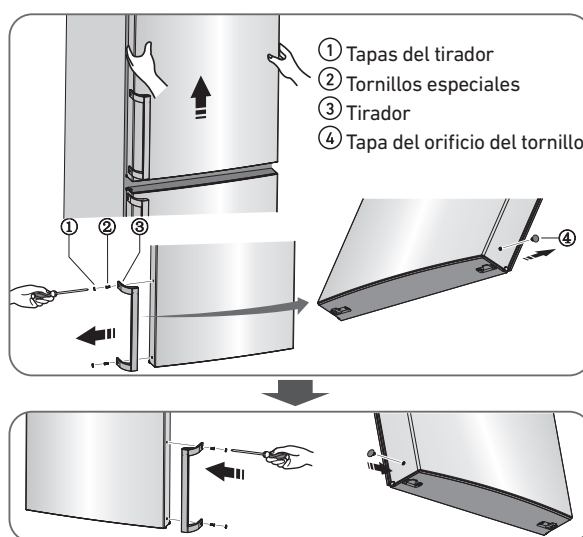


16) Conecte el conector eléctrico ① como se muestra en la imagen, luego fije la pieza ② con el tornillo ③ (consulte el paso 2).

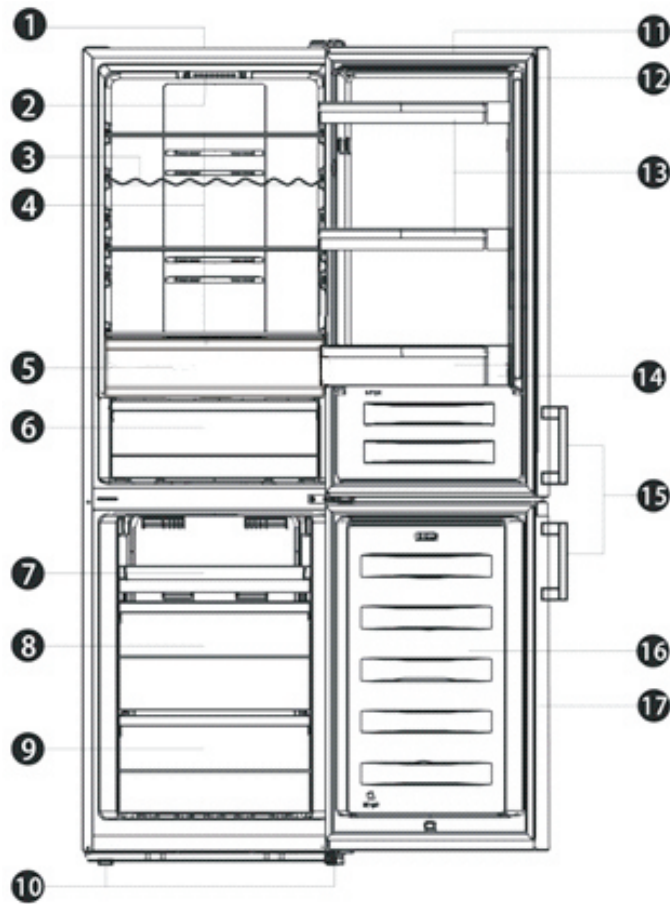


17) Abra la puerta superior, monte los estantes y ciérrela.

Nota: Si su aparato tiene tiradores, tendrá que invertir la posición de los tiradores siguiendo las instrucciones a continuación. Quite la puerta superior y póngala sobre una superficie plana, con su panel mirando hacia arriba. Levante o haga palanca para levantar la pieza ① y la pieza ④, luego quite los tornillos ②, como se muestra en la imagen. Mueva el tirador ③ al lado derecho, instale los tornillos ②, la pieza ① y la pieza ④, en ese orden.



4. DESCRIPCIÓN DEL APARATO



1. Estructura general

2. Luces LED y control del termostato

3. Repisa del refrigerador para vinos

4. Repisas del refrigerador de vidrio

5. Cajón para verduras superior del refrigerador

6. Cajón para verduras del refrigerador

7. Cajón superior del congelador

8. Cajón intermedio del congelador

9. Cajón inferior del congelador

10. Patas ajustables

11. Puerta del refrigerador

12. Junta de la puerta del refrigerador

13. Contenedores en puerta superiores del refrigerador

14. Contenedor en puerta inferior

15. Tiradores (accesorios)

16. Puerta del congelador

17. Junta de la puerta del congelador



Nota:

Actualizamos nuestros productos continuamente, lo que significa que algunas piezas de su refrigerador pueden ser algo distintas a las que aparecen en este manual de instrucciones, pero sus funciones y modalidades de uso siguen siendo las mismas.

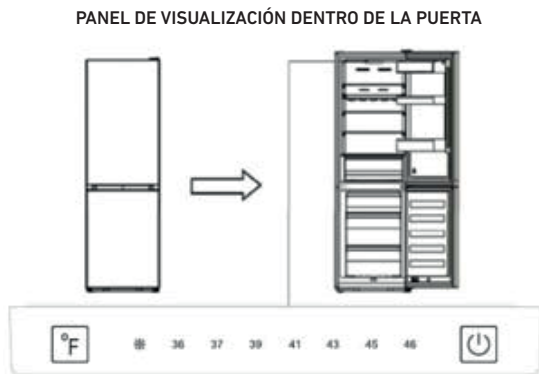


Nota:

Para hacer más espacio en el frigorífico, puede sacar los cajones (excepto el cajón inferior del compartimento congelador). Para que este producto consiga su máxima eficiencia energética posible, todas las repisas y cajones deben estar en sus posiciones originales, como se indica en la ilustración de abajo.

5.1 Pantalla interna

Siga estas instrucciones al utilizar su aparato. Su refrigerador está equipado con las funciones y modalidades que se muestran en las imágenes del panel de visualización a continuación. Al encender el aparato por primera vez, los iconos del panel de visualización se encenderán. Si no se pulsa ningún botón y las puertas se mantienen cerradas, las luces en el panel de visualización se apagarán.



5.2 Control de la temperatura

Cuando el refrigerador se pone en marcha por primera vez, la temperatura está configurada a 39 °F. Si quiere cambiar la temperatura, siga las instrucciones a continuación.



¡Precaución!

Al ajustar una temperatura está configurando una temperatura media para toda la estructura del refrigerador. Las temperaturas dentro de cada compartimento individual pueden diferir de los valores de temperatura que aparecen en el panel, en función de cuánta comida almacene y dónde la coloque. La temperatura ambiente también puede influir en la temperatura real dentro del aparato.

Pulse «°F» para ajustar la temperatura del refrigerador entre 36 °F y 46 °F según sea necesario; los valores correspondientes aparecerán en el panel en la siguiente secuencia:



5.3 Super Freeze (❄️)

Super Freeze bajará rápidamente la temperatura dentro del congelador para que la comida se congele más rápido. Así se pueden conservar las vitaminas y nutrientes de los alimentos frescos y la comida se conserva durante más tiempo.

Mantenga el botón «°F» pulsado durante 3 segundos para activar el modo Super Freeze.

Al seleccionar el modo Super Freeze, el símbolo correspondiente se ilumina y la temperatura del congelador se ajusta a -11 °F.

Si tiene una gran cantidad de alimentos para congelar, espere unas 24 horas antes de cargar el congelador.

Super Freeze se desconecta automáticamente pasadas 52 horas, en ese momento, la temperatura del congelador vuelve a su configuración anterior.

5.4 El interruptor de encendido/apagado (⏻)

Puede encender o apagar el aparato pulsando este botón.

Mantenga pulsado el botón de encendido/apagado durante 3 segundos y, tras escuchar un zumbido, el aparato se apagará.

Mantenga pulsado el botón de encendido/apagado durante 1 segundo y, tras escuchar un zumbido, el aparato se encenderá.

6. SUGERENCIAS Y CONSEJOS ÚTILES

6.1 Consejos para ahorrar energía

Le recomendamos que siga los siguientes consejos para ahorrar energía.

- > Para mantener la temperatura correcta, intente no dejar la puerta abierta mucho tiempo.
- > Asegúrese de mantener el aparato alejado de fuentes de calor (luz solar directa, horno eléctrico, fogones, etc.).
- > No baje la temperatura más de lo necesario.
- > No guarde comida caliente o líquidos en ebullición dentro del aparato.
- > Instale el aparato en una estancia bien ventilada y sin humedad. Consulte el capítulo sobre la instalación del nuevo aparato.
- > Si los cajones, el cajón para verduras y las repisas se distribuyen como se muestra en la imagen, no modifique esta distribución, porque ha sido diseñada para ser la más eficiente en términos energéticos.

6.2 Consejos para refrigerar alimentos frescos

- > No meta alimentos calientes directamente en el refrigerador o en el congelador. Al hacerlo, la temperatura interna aumentará y el compresor tendrá que trabajar más y consumir más energía.
- > Tape o envuelva los alimentos, sobre todo si desprenden un olor o tienen un sabor fuertes.
- > Coloque los alimentos de manera que el aire pueda circular libremente a su alrededor.
- > Carne (de todo tipo): envuelta con film de plástico y situada en la repisa de vidrio sobre el cajón de las verduras. Respete siempre las recomendaciones en cuanto a plazos de conservación de los alimentos y consúmalos antes de la fecha de caducidad indicada por el fabricante.
- > Alimentos cocinados, platos fríos, etc.: deberían estar tapados y pueden colocarse en cualquier repisa.
- > Fruta y verdura: debería guardarse en el cajón especial suministrado.
- > Mantequilla y queso: deberían envolverse herméticamente con papel de aluminio o film de plástico transparente.
- > Cartones de leche: deberían llevar un tapón/tapa y guardarse en los estantes de la puerta.

6.3 Consejos para congelar alimentos

- > Durante el arranque inicial o tras un periodo fuera de servicio, deje el aparato en marcha durante al menos 2 horas configurado a valores máximos antes de meter cualquier alimento en los compartimentos.
- > Prepare los alimentos en porciones pequeñas para que se congelen rápidamente y totalmente y luego poder descongelar solo la cantidad necesaria.
- > Envuelva los alimentos herméticamente en papel de aluminio o en film de polietileno alimentario.
- > No permita que los alimentos frescos, sin congelar, entren en contacto con comida que ya esté congelada, ya que esto provocará que la temperatura de la comida congelada suba.
- > Los productos congelados, si se consumen de inmediato recién sacados del congelador, es probable que provoquen quemaduras por frío en la piel.
- > Le recomendamos que etiquete y ponga fecha a cada producto congelado para llevar un registro de los plazos de conservación.
- > Asegúrese de que el establecimiento minorista donde haya comprado los alimentos congelados los haya conservado correctamente.
- > Una vez descongelados, los alimentos se deteriorarán rápidamente y no se deberían volver a congelar. No supere el plazo de conservación indicado por el fabricante de los alimentos.

6.4 Apagar el aparato

Si hubiera que apagar la unidad durante un periodo de tiempo prolongado, habrá que adoptar las siguientes medidas para evitar la proliferación de moho en el interior del aparato.

- 1) Saque todos los alimentos.
- 2) Desconecte el enchufe de alimentación de la toma de corriente.
- 3) Limpie y seque el interior exhaustivamente.
- 4) Asegúrese de meter cuñas en todas las puertas para mantenerlas un poco abiertas y que circule el aire.

Por motivos de higiene, el aparato (incluidos sus accesorios internos y externos) debería limpiarse con regularidad (al menos cada dos meses).

**¡Advertencia!**

El aparato no se debe conectar a la toma de corriente doméstica durante las operaciones de limpieza: ¡peligro de descarga eléctrica!

Antes de la limpieza, apague el aparato y saque el enchufe de la toma de corriente.

7.1 Limpieza exterior

Para mantener la apariencia estética de su aparato, debería limpiarlo con regularidad.

- > Limpie el panel de control con un paño limpio y suave.
- > Pulverice agua sobre el paño de limpieza en vez de pulverizarla directamente sobre la superficie del aparato. Esto ayuda a garantizar una distribución uniforme de la humedad en las superficies.
- > Limpie las puertas, los tiradores y las superficies del refrigerador con un limpiador suave y luego séquelas con un paño suave.

**¡Precaución!**

> No utilice objetos afilados, porque es probable que arañen la superficie.

> No utilice disolventes, limpiadores para lavar el coche, lejía, aceites esenciales, limpiadores abrasivos o disolventes orgánicos, como el benceno, para limpiar el aparato. Pueden dañar la superficie del aparato y podrían provocar un incendio.

7.2 Limpieza interior

Debería limpiar el interior del aparato con regularidad. Será más fácil limpiarlo cuando haya poca comida en su interior. Limpie con un paño el interior del frigorífico-congelador con una solución débil de bicarbonato de sodio, a continuación, aclare con agua templada usando una esponja o un paño húmedos. Séquelo completamente con un paño antes de volver a colocar las repisas y contenedores. Seque bien todas las superficies y piezas desmontables antes de volver a ponerlas en su sitio. Aunque este aparato se desescarcha automáticamente, es posible que se forme una capa de escarcha en las paredes del interior del compartimento congelador si la puerta del congelador se abre con frecuencia o se mantiene abierta durante mucho tiempo. Si la capa de escarcha se vuelve demasiado gruesa, elija un momento en el que el congelador esté prácticamente vacío y proceda de la siguiente forma:

1) Quite todos los accesorios y contenedores y saque toda la comida almacenada en su interior, desenchufe el aparato de la red eléctrica y deje las puertas abiertas. Ventile bien la habitación para acelerar el proceso.

2) Cuando se haya desescarchado por completo, limpie el congelador como se indica arriba.

**¡Precaución!**

No utilice objetos afilados para quitar la escarcha del compartimento congelador. El aparato solo debe volver a encenderse y enchufarse a la toma de corriente doméstica cuando el interior se haya secado por completo.

7.3 Limpieza de las juntas de la puerta

Procure mantener limpias las juntas de la puerta. Los alimentos y las bebidas pegajosos pueden hacer que las juntas se peguen a la superficie del refrigerador y se desgarran al abrir la puerta. Lave las juntas con un detergente suave y agua templada. Aclare y seque bien todo después de la limpieza.

**¡Precaución!**

El aparato solo debe volver a encenderse cuando las juntas de la puerta estén completamente secas.

7.4 Sustitución de la luz LED

**Advertencia:**

¡El usuario nunca debe sustituir la luz LED! Si la luz LED se daña, contacte con la línea telefónica de ayuda al cliente para recibir asistencia.

8. ELIMINACIÓN DEL APARATO

Queda prohibido desechar el aparato como residuo doméstico.

8.1 Materiales de embalaje

Los materiales de embalaje que llevan el símbolo de reciclado son reciclables. Elimine el embalaje en un contenedor de recogida de residuos adecuado para reciclarlo.

8.2 Antes de desechar el aparato

- 1) Saque el enchufe de alimentación de la toma de corriente.
- 2) Corte el cable de alimentación y deséchelo junto con el enchufe.



¡Advertencia!

Los refrigeradores contienen refrigerante, así como otros gases en el aislamiento. El refrigerante y los gases deben eliminarse de manera profesional, porque pueden provocar lesiones oculares o inflamarse. Asegúrese de que la tubería del circuito del refrigerante no esté dañada antes de desecharla adecuadamente.

ELIMINACIÓN CORRECTA DE ESTE PRODUCTO



Este símbolo en el producto o en su embalaje indica que este producto no se puede tratar como residuo doméstico. Por el contrario, debe trasladarse al punto de recogida de residuos correspondiente para reciclar los equipos eléctricos y electrónicos. Al desechar este producto correctamente, usted ayuda a evitar las posibles consecuencias negativas para el medio ambiente y la salud humana que se producirían por la manipulación incorrecta de los residuos de este producto. Si necesita información más detallada sobre el reciclaje de este producto, póngase en contacto con su ayuntamiento para conocer los servicios de eliminación de residuos o con el establecimiento donde compró el producto.

Para evitar que los alimentos puedan contaminarse, preste atención a la información y las instrucciones que siguen:

- > Dejar la puerta abierta durante largos periodos de tiempo puede provocar un aumento significativo de la temperatura en los compartimentos del aparato.
- > Haga una limpieza frecuente de las superficies que pueden entrar en contacto con alimentos y de los sistemas de drenaje accesibles.
- > Guarde la carne y el pescado crudos en recipientes adecuados en el refrigerador de manera que no entren en contacto ni goteen sobre otros alimentos.
- > Los compartimentos para alimentos congelados de dos estrellas son adecuados para conservar alimentos precongelados, guardar o hacer helados y hacer cubitos de hielo.
- > Los compartimentos de una, dos y tres estrellas no son adecuados para congelar alimentos frescos.

ORDEN	TIPO de compartimento	Temp. de conservación objetivo [°F]	Alimentos adecuados
1	Refrigerador	+36~+46	Huevos, alimentos cocinados, alimentos envasados, fruta y verdura, productos lácteos, pasteles, bebidas y otros alimentos que no se puedan congelar.
2	-Congelador (***)*	≤0	Productos de la pesca (pescado, gambas, mariscos), productos acuáticos de agua dulce y productos cárnicos (el periodo de conservación recomendado es de 3 meses; cuanto mayor sea el tiempo de conservación peor será el sabor y el valor nutricional). Sirve para congelar alimentos frescos.
3	-Congelador ***	≤0	Productos de la pesca (pescado, gambas, mariscos), productos acuáticos de agua dulce y productos cárnicos (el periodo de conservación recomendado es de 3 meses; cuanto mayor sea el tiempo de conservación peor será el sabor y el valor nutricional). No sirve para congelar alimentos frescos.
4	-Congelador **	≤+10	Productos de la pesca (pescado, gambas, mariscos), productos acuáticos de agua dulce y productos cárnicos (el periodo de conservación recomendado es de 2 meses; cuanto mayor sea el tiempo de conservación peor será el sabor y el valor nutricional). No sirve para congelar alimentos frescos.
5	-Congelador *	≤+21	Productos de la pesca (pescado, gambas, mariscos), productos acuáticos de agua dulce y productos cárnicos (el periodo de conservación recomendado es de 1 mes; cuanto mayor sea el tiempo de conservación peor será el sabor y el valor nutricional). No sirve para congelar alimentos frescos.
6	0 estrellas	+21~+36	Cerdo, vacuno, pescado, pollo frescos, algunos alimentos procesados envasados, etc. (Se recomienda consumirlos en el mismo día y preferiblemente en un plazo máximo de 3 días). Alimentos procesados parcialmente envasados (alimentos no aptos para congelación).
7	Enfriador	+28~+37	Cerdo, vacuno, pollo, productos acuáticos de agua dulce frescos/ congelados, etc. (por debajo de los 32 °F durante 7 días; por encima de los 32 °F se recomienda consumirlos en el mismo día y preferiblemente en un plazo máximo de 2 días). Productos de la pesca (a menos de 32 °F durante 15 días; no recomendamos conservar productos de la pesca por encima de los 32 °F).
8	Alimentos frescos	+32~+39	Cerdo, vacuno, pescado, pollo frescos, alimentos cocinados, etc. (Se recomienda el consumo en el mismo día y preferiblemente en un plazo máximo de 3 días).
9	Vino	+41~+68	Vino tinto, blanco, espumoso, etc.

Nota:

Almacene los distintos alimentos en los compartimentos que estén a las temperaturas de conservación objetivo que marquen los productos que haya comprado. Si se deja el refrigerador vacío mucho tiempo, apáguelo, elimine la escarcha, límpielo, séquelo y deje la puerta abierta para evitar la proliferación de moho dentro del electrodoméstico.

9. DECLARACIÓN DE GARANTÍA LIMITADA DE DOS AÑOS

COBERTURA DE ESTA GARANTÍA LIMITADA

Las garantías ofrecidas por Bertazzoni SpA en esta declaración valen exclusivamente para los aparatos y accesorios de Bertazzoni vendidos como productos nuevos al primer propietario por un distribuidor Bertazzoni autorizado, minorista, revendedor o centro de asistencia autorizado de Bertazzoni e instalado en los Estados Unidos o Canadá. Las garantías que se ofrecen en esta declaración no son transferibles y tienen validez a partir de la fecha de instalación.

La cobertura de la Garantía otorgada por Bertazzoni SpA («Bertazzoni») en esta declaración se aplica exclusivamente el aparato Bertazzoni original (el «Producto») vendido al consumidor (el «Comprador») por un vendedor/distribuidor/minorista Bertazzoni autorizado, comprado e instalado en Estados Unidos, Distrito de Columbia, o Canadá, que siempre haya permanecido dentro del país de compra original (Estados Unidos, Distrito de Columbia, o Canadá).

La cobertura de la garantía se activa en la fecha de la compra minorista original del Producto y tiene una duración de **dos (2) años**.

La cobertura de la garantía no es transmisible.

En caso de sustitución de piezas o del producto completo, el Producto (o las piezas) de sustitución asumirán la Garantía original restante activada con el documento de la compra minorista original. Esta Garantía no se ampliará con respecto a dicha sustitución.

Bertazzoni SpA reparará o sustituirá cualquier componente que falle o que se demuestre defectuoso debido a los materiales y/o la mano de obra dentro de un plazo de 2 años a partir de la fecha de la compra minorista original y en condiciones de uso residencial, no comercial.

La reparación o la sustitución serán gratuitos, incluida la mano de obra a tarifas estándar y los gastos de envío. El Comprador es responsable de proporcionar un acceso razonable al Producto para su mantenimiento. El servicio de reparación debe ser realizado por una Empresa de Mantenimiento Autorizada por Bertazzoni durante el horario laboral normal. El precio de las horas extra o a tarifas premium de la mano de obra no está cubierto por esta Garantía.



IMPORTANTE:

Conserve el justificante de la compra original para demostrar el período de garantía.

La responsabilidad de Bertazzoni por cualquier reclamación de toda índole, con respecto a los bienes y/o servicios proporcionados, no superará en ningún caso el valor de los bienes o del servicio o de parte de los mismos que diera lugar a la reclamación.

Garantía estética de 30 días

El Comprador es quien debe inspeccionar el producto en el momento de la entrega.

Bertazzoni garantiza que el Producto no presenta defectos de fabricación en materiales y mano de obra durante un período de treinta (30) días desde la fecha de compra minorista original del Producto.

Esta cobertura incluye:

- > Defectos en la pintura
- > Desconchados
- > Defectos macroscópicos en el acabado

La garantía estética NO cubre:

- > problemas derivados del transporte, manipulación y/o instalación incorrectos (abolladuras, estructuras o componentes rotos, doblados o deformados, componentes de vidrio destrozados)
- > ligeras variaciones de color en componentes pintados/esmaltados
- > diferencias provocadas por la iluminación natural o artificial, la ubicación u otros factores análogos
- > manchas/corrosión/decoración provocadas por sustancias externas y/o factores ambientales
- > **costes de mano de obra, pantalla, suelo, artículos B-stock, aparatos sacados de la caja, aparatos vendidos en las condiciones en que se encuentren y unidades de demostración.**

CÓMO RECIBIR ASISTENCIA

Para recibir asistencia en garantía, el Comprador debe contactar con el Servicio de Asistencia de Bertazzoni para identificar el problema y los procedimientos de mantenimiento correctos.

Le pedirán el número del modelo, número de serie y la fecha de compra minorista original.



IMPORTANTE:

Conserve el justificante de la compra original para demostrar el período de garantía.

Si se encuentra en EE.UU.

866 905 0010

<https://us.bertazzoni.com/more/support>

Si se encuentra en CANADÁ

800 561 7265

<https://ca.bertazzoni.com/more/support>

EXCLUSIONES DE LA GARANTÍA – QUÉ NO CUBRE

- > Uso del Producto para aplicaciones no residenciales y/o comerciales
- > Uso del Producto para cualquier otro fin distinto de su uso previsto
- > Servicio de reparación efectuado por una empresa que no sea una agencia de asistencia autorizada de Bertazzoni.
- > Los daños o servicios de reparación para corregir el servicio proporcionado por una agencia no autorizada o debido al uso de repuestos no autorizados.
- > Instalación no conforme con los códigos, normativas o leyes locales/estatales/municipales/del condado en materia de incendios, electricidad, gas, fontanería y construcción.
- > Los defectos o daños debidos al almacenamiento inadecuado del Producto.
- > Los defectos o daños o piezas ausentes en los productos vendidos fuera del embalaje original de fábrica o procedente de exposiciones.
- > Las llamadas de asistencia o reparaciones para corregir la instalación incorrecta del producto y/o accesorios relacionados.
- > Sustitución de piezas/llamadas de asistencia para conectar, convertir o de otra manera reparar el cableado eléctrico y/o la línea de gas necesarios para usar correctamente el Producto.
- > Sustitución de piezas/llamadas de asistencia para dar indicaciones y enseñar a usar el Producto.
- > Sustitución de piezas/llamadas de asistencia para corregir problemas por utilizar el producto de manera diferente de lo que es normal y habitual para el uso residencial.
- > Sustitución de piezas/llamadas de asistencia por desgaste normal y habitual, como el que se produce en las juntas, perillas, soportes de las bandejas, repisas, cestas para cubertería, botones, pantallas táctiles, superficies de vidrio cerámico rayadas o rotas
- > Sustitución de piezas/llamadas de asistencia por ausencia/mantenimiento incorrecto, a título enunciativo: acumulación de suciedad, manchas, arañazos, decoloración, corrosión
- > Sustitución de los componentes de vidrio y las bombillas si la reclamación se hace en los siguientes 30 días de la fecha de compra minorista original.

> Los defectos y daños derivados de accidentes, alteración, mal uso, abuso, instalación incorrecta.

> Los defectos y los daños derivados del transporte, la logística y la manipulación del Producto. El Producto debe inspeccionarse en el momento de la entrega. Cualquier problema derivado de la manipulación, el transporte y la logística se debe notificar al distribuidor responsable de la venta/la empresa de transporte tras la recepción e inspección del Producto.

> Los defectos y daños derivados de factores externos ajenos al control de Bertazzoni SpA, a título enunciativo, viento, lluvia, arena, incendios, inundaciones, corrimientos de tierra, temperaturas bajo cero, exceso de humedad o exposición prolongada a la humedad, subidas de tensión, fallos en la iluminación o estructurales alrededor del aparato y otros casos fortuitos.

> Los productos con el número de serie alterado/dañado/manipulado.

Bertazzoni no será en ningún caso responsable de los daños a la propiedad circundante, incluido el mobiliario, los armarios, el pavimentos, los paneles y otras estructuras alrededor del Producto.

Bertazzoni no es responsable del Producto si este se encuentra instalado en una zona remota o en un lugar donde no se disponga de técnicos formados y certificados dentro de lo razonable. El Comprador asumirá los costes de transporte y entrega del Producto al Centro de Asistencia Autorizado más cercano o de las tarifas adicionales por desplazamiento de un técnico formado y certificado.

NO SE OTORGA NINGUNA OTRA GARANTÍA EXPLÍCITA MÁS ALLÁ DE LAS ENUNCIADAS Y DESCRITAS ARRIBA, TAMPOCO SE APLICARÁ NINGUNA OTRA GARANTÍA, YA FUERA EXPLÍCITA O IMPLÍCITA, A TÍTULO ENUNCIATIVO, CUALQUIER GARANTÍA IMPLÍCITA DE COMERCIABILIDAD O IDONEIDAD PARA UN FIN CONCRETO TRANSCURRIDOS LOS PLAZOS DE GARANTÍA EXPLÍCITOS ENUNCIADOS MÁS ARRIBA. NINGUNA OTRA GARANTÍA EXPLÍCITA OTORGADA POR NINGUNA PERSONA, EMPRESA O CORPORACIÓN CON RESPECTO A ESTE PRODUCTO SERÁ VINCULANTE PARA BERTAZZONI. BERTAZZONI NO SERÁ RESPONSABLE DE LA PÉRDIDA O LUCRO CESANTE, IMPOSIBILIDAD DE REALIZAR AHORROS U OTROS BENEFICIOS, TIEMPO FUERA DEL TRABAJO, COMIDAS, PÉRDIDA DE ALIMENTOS O BEBIDAS, GASTOS DE DESPLAZAMIENTO O ALOJAMIENTO, GASTOS DE ALQUILER O COMPRA DE ELECTRODOMÉSTICOS, GASTOS DE REFORMA/CONSTRUCCIÓN QUE EXCEDAN LOS DAÑOS DIRECTOS QUE SEAN IMPUTABLES DEFINITIVAMENTE Y CON CARÁCTER EXCLUSIVO A BERTAZZONI, NI DE NINGÚN OTRO DAÑO ESPECIAL, ACCIDENTAL O CONSECUENCIAL PROVOCADO POR EL USO, USO INDEBIDO O INCAPACIDAD DE USAR ESTE PRODUCTO, CON INDEPENDENCIA DE LA DOCTRINA JURÍDICA EN LA QUE SE SUSTENTE LA RECLAMACIÓN E INCLUSO AUNQUE BERTAZZONI HUBIERA SIDO ADVERTIDA DE LA POSIBILIDAD DE QUE SE PRODUJERAN DICHOS DAÑOS. LA CUANTÍA DE CUALQUIER INDEMNIZACIÓN RECLAMADA A BERTAZZONI NO PODRÁ SUPERAR EN IMPORTE EL PRECIO DE COMPRA DEL PRODUCTO VENDIDO POR BERTAZZONI Y CAUSANTE DEL SUPUESTO DAÑO. SIN PERJUICIO DE LO EXPUESTO, EL COMPRADOR ASUME TODO EL RIESGO Y LA RESPONSABILIDAD POR LA PÉRDIDA, PERJUICIO O DAÑO PERSONAL AL COMPRADOR Y A LA PROPIEDAD DEL COMPRADOR Y A TERCEROS Y SUS BIENES A CONSECUENCIA DEL USO, USO INDEBIDO O INCAPACIDAD DE USAR ESTE PRODUCTO VENDIDO POR BERTAZZONI Y QUE NO SEAN IMPUTABLES DE MANERA DIRECTA A LA NEGLIGENCIA DE BERTAZZONI.

ESTA GARANTÍA LIMITADA NO SE AMPLIA A NINGUNA OTRA PERSONA DISTINTA DEL COMPRADOR ORIGINAL DE ESTE PRODUCTO, NO ES TRANSMISIBLE Y ESTIPULA SU ÚNICO RECURSO.

Bertazzoni no asume ninguna responsabilidad frente a daños fortuitos o consecuenciales.

Algunos Estados no permiten la exclusión o la limitación de la responsabilidad por daños incidentales o consecuentes, por lo que en tal caso particular no valdrán las limitaciones o exclusiones anteriores. Esta garantía le otorga derechos legales específicos y usted también podría tener otros derechos que varían de un Estado a otro y de una provincia a otra.

Si tiene cualquier pregunta sobre esta Garantía Limitada puede dirigir sus consultas a Atención al Cliente de Bertazzoni

Si se encuentra en EE.UU.:

866 905 0010

<https://us.bertazzoni.com/more/support>

Si se encuentra en CANADÁ:

800 561 7265

<https://ca.bertazzoni.com/more/support>

