

DW24PR

DISHWASHER 24" PANEL READY



PRODUCT FEATURES

Style	Panel ready
Interior finish	Stainless steel tub
User interface	Concealed electronic touch interface
Sound insulation	49 db(A)
Racks	2
Place settings	10
Wash cycles	6 – Normal, Heavy, Glass, Quick, Rinse, ECO
Wash options	4 – Sanitize, Hi-Temp, Heating Dry, Energy Save
Drying system	Heated drying
Filter	Triple-stage filter
Food disposer	3
Sprayer arms	Projected on floor
Lighting	Yes

TECHNICAL SPECIFICATIONS

Voltage, Frequency, Amps	120V 60Hz - 6.7 Amps 800W
EnergyStar	Yes 237 kWh/yr
Power connection	Direct wiring, no cord
Water connection	Min. 3/8" copper pipe with accessible shut-off valve
Certification	UL, cUL
Warranty	2 years parts & labor
Packaging dimensions and weight	W 23" 5/8 H 32" 1/2" D 22" 7/8 Weight 88 lbs

Extra-quiet performance 49 dB(A)

Dual pump system with food disposer and triple-stage filter ensure maximum removal of dirt residues from washing water

6 washing programs, 4 washing options and heat-drying ensure a customizable and always effective wash program

Sanitize option elevates washing temperature to 158F for perfect and sanitized cleaning

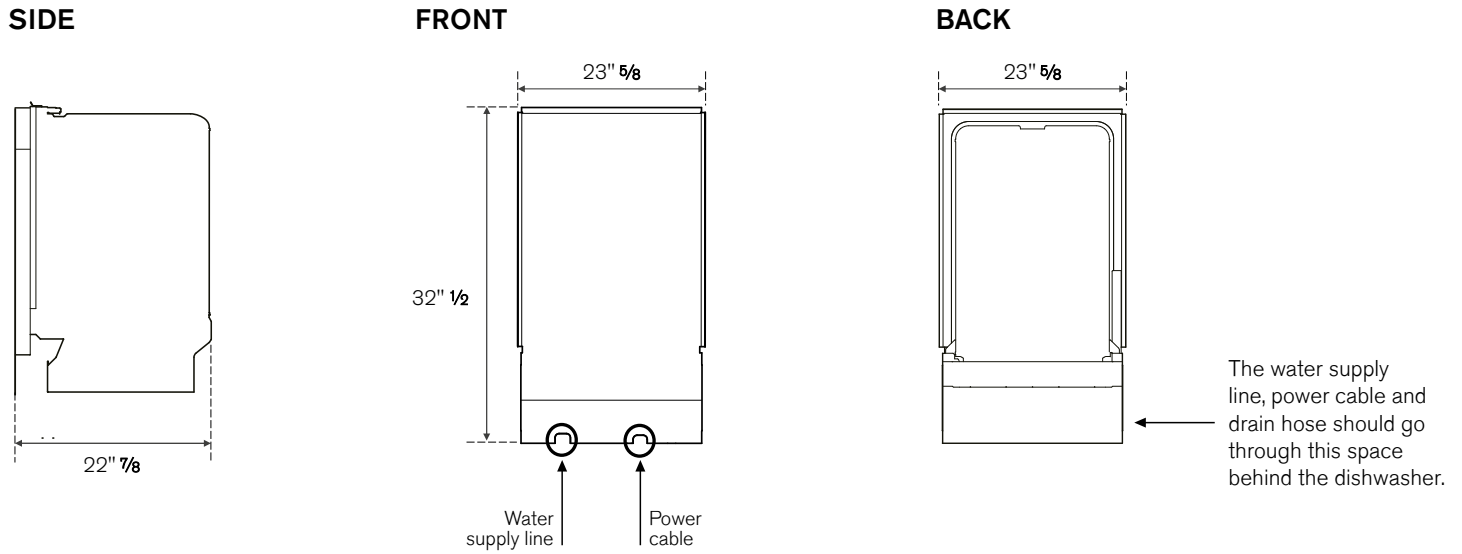
End-of-cycle indicator projected on the floor

Energy Star compliant

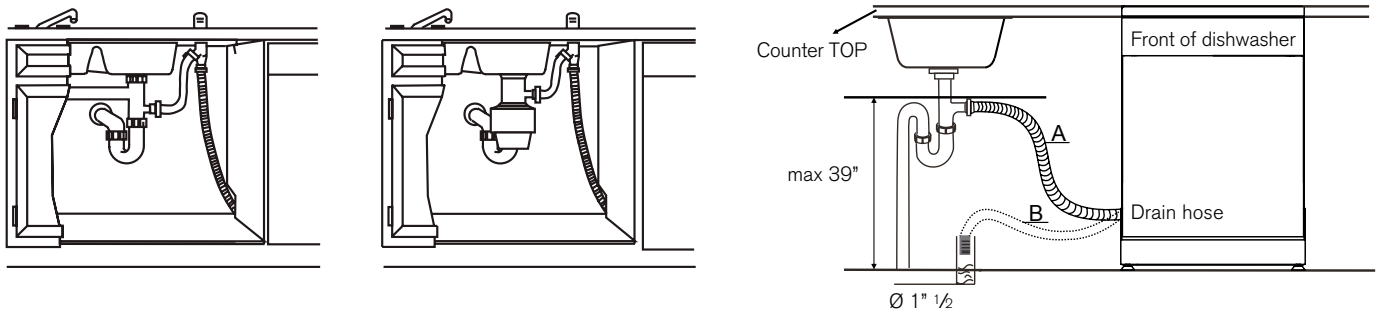
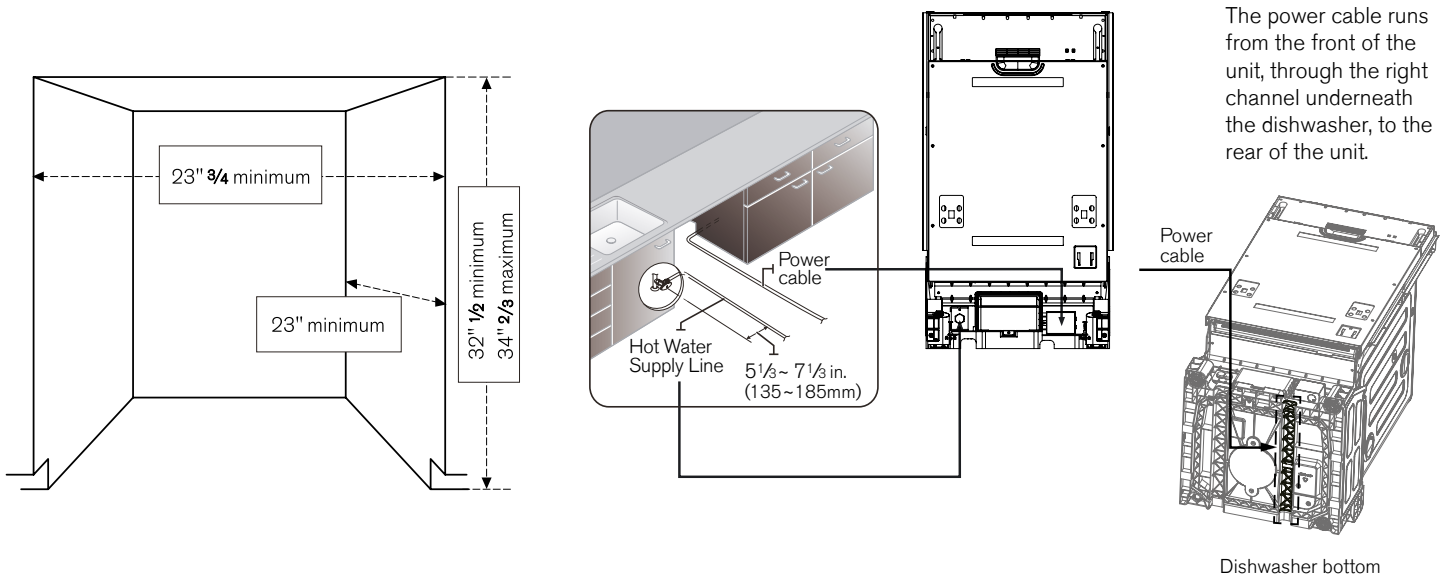
ADA compliant

DW24PR

DISHWASHER 24" PANEL READY



CUTOUT DIMENSIONS



DRAIN REQUIREMENTS:

Follow local codes & ordinances. Drain hose cannot exceed 10' distance to drain line.

AIR GAP / HIGH DRAIN LOOP:

Install a waste line with an air gap (not supplied) or high drain loop to prevent backflow. The top of the drain hose must be less than 39". Air gap must be used if waste tee or disposer connection is less than 18" above floor.