

# KTV24XV

## 24" TELESCOPIC EXTENSION VISOR HOOD



Complete your Bertazzoni kitchen with this practical visor hood.

Choose among 3 extraction airflow speeds, reaching a maximum flow performance of 300 CFM (cubic feet per minute).

Easily control all hood functions including the telescopic extension feature with ease using the slider controls.

Enjoy powerful illumination of the cooking surface with the long lasting and bright LED lights which also don't create additional heat and are energy efficient.

Filter out odors and grease with the aluminum mesh filters which can be easily cleaned periodically in the dishwasher or by hand.

The hood comes standard for venting outside the kitchen but, can be easily modified for recirculation by installing the optional charcoal filter kit.

Designed with pride by Bertazzoni in Italy.

Industry leading 2 years parts and labor warranty.

### PRODUCT FEATURES

Size	24"
Hood type	Under cabinet telescopic visor
Hood finish	Stainless steel
Motor	1
Speed	3
Hood control	Slider
Lights	2 LED
Filters type	Aluminum mesh
Extraction power	300 CFM
Sound rating	2 - 5 Sones
Recirculation	Yes
Duct cover	Not applicable
Duct size	6" diameter

### TECHNICAL SPECIFICATIONS

Electrical supply	120 V 60 HZ - 152 W 1.1 Amp
Power connection	NEMA 5-15P with 59" power cord
Certification	CEC,UL
Warranty	2 years parts & labor
Packaging dimensions and weight	W 29 3/8" H 12 5/8" D 15 5/8" 29.8 lbs

### OPTIONAL ACCESSORIES

901531	Charcoal filters
901532	Durable charcoal filters



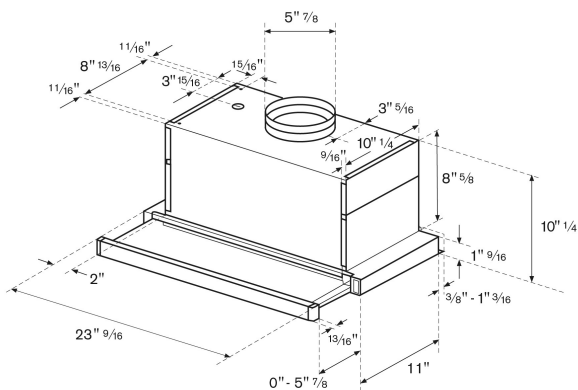
AIM YOUR CAMERA HERE

# KTV24XV

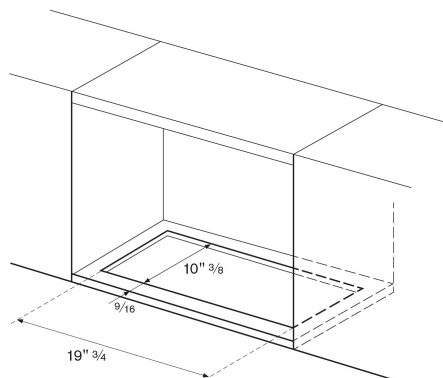
## 24" TELESCOPIC EXTENSION VISOR HOOD



### PRODUCT DIMENSIONS



### CUT-OUT DIMENSIONS



### Hood Clearance

Recommended height above cooking surface:  
min 24" for electric worktop  
min 30" for gas worktop

### ELECTRICAL CONNECTION

The Power Supply Cord and plug must be connected to a separate 120 Volt AC 60 Hz, 15 Amp or more branch circuit, single grounded receptacle. The cord has a 3-pronged plug and must be installed into an outlet that is properly grounded. The electrical receptacle must be within the minimum cord length of 47" 1/4.

#### WHEN USING 3-PRONGED PLUG

