

---

# BERTAZZONI DESIGN SERIES

## 30" WALLMOUNT HOOD

KG30CONX

---

### HIGHLIGHTS

- The touch through glass interface allows for immediate and intuitive control of the range hood functions.
- The 3 speed motor delivering up to 600 CFM can be adjusted to any cooking needs.
- The highly efficient Euro- baffle filter system provides excellent performance results and is dishwasher safe for easy cleaning.

---

### FEATURES

|                             |  |
|-----------------------------|--|
| <b>Range hood finishing</b> | stainless steel and black glass insert panel |
| <b>Motor</b>                | 1  |
| <b>Speeds</b>               | 3  |
| <b>Hood control</b>         | touch  |
| <b>Halogen lights</b>       | 2  |
| <b>Filters</b>              | Euro baffle                                  |
| <b>Max extraction power</b> | 600 CFM                                      |

---

### TECHNICAL SPECIFICATIONS

|                                    |                         |
|------------------------------------|-------------------------|
| <b>Electrical Requirements</b>     | 120 V 60 Hz             |
| <b>Max Amp usage, power rating</b> | 3.3 A - 400 W           |
| <b>Certification</b>               | CSA                     |
| <b>Warranty</b>                    | 2 years parts and labor |

---

### ACCESSORIES

|                          |             |
|--------------------------|-------------|
| <b>Recirculation Kit</b> | code 901271 |
|--------------------------|-------------|

---

Duct cover included



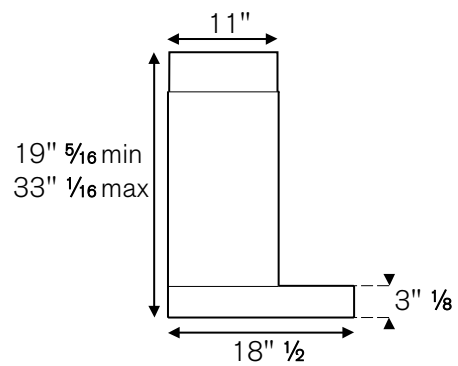
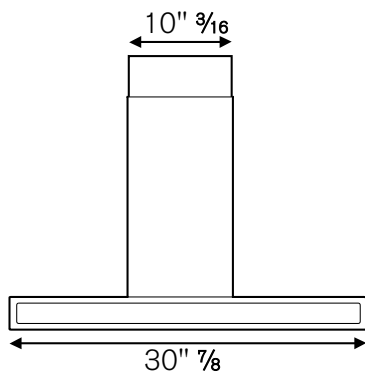
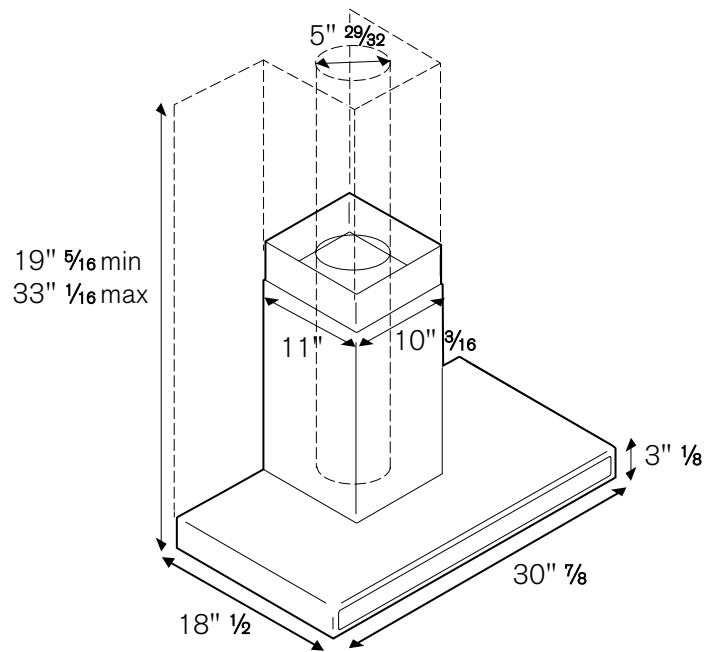
TO COOK BEAUTIFULLY  
WWW.BERTAZZONI.COM

---

# INSTALLATION INSTRUCTIONS

## KG30CONX

---



---

Bertazzoni recommends to operate the appliance after it has been properly installed. Please refer to the installation manual for further details.

**Disclaimer:** while every effort has been made to insure the accuracy of the information contained in this brochure, Fratelli Bertazzoni reserves the right to change any part of the information at any time without notice.

Fratelli Bertazzoni, Bertazzoni and the winged wheel brand icon are registered trademarks of Bertazzoni Spa.