
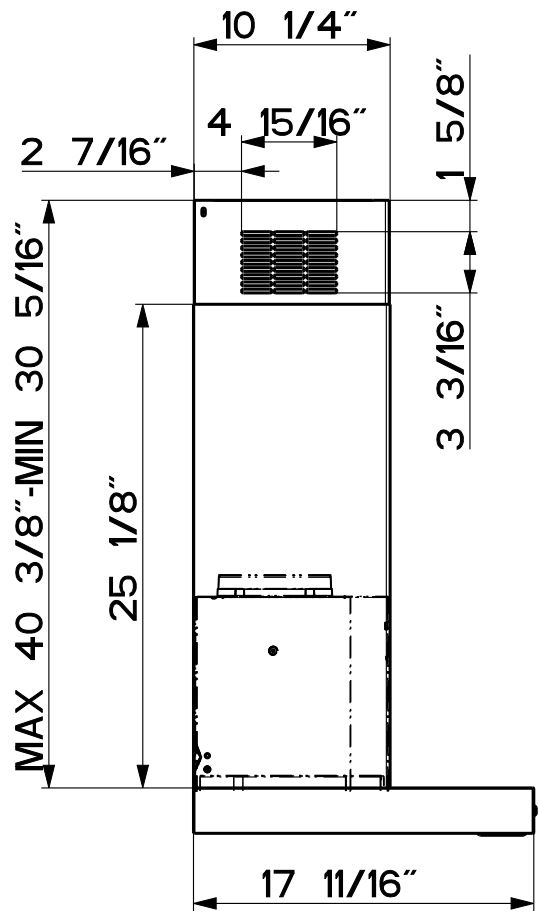
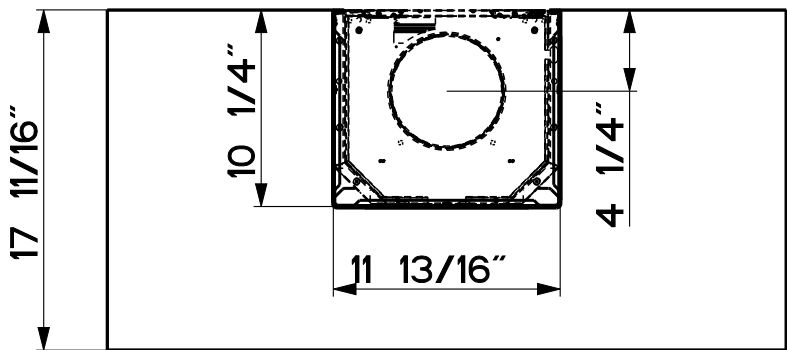
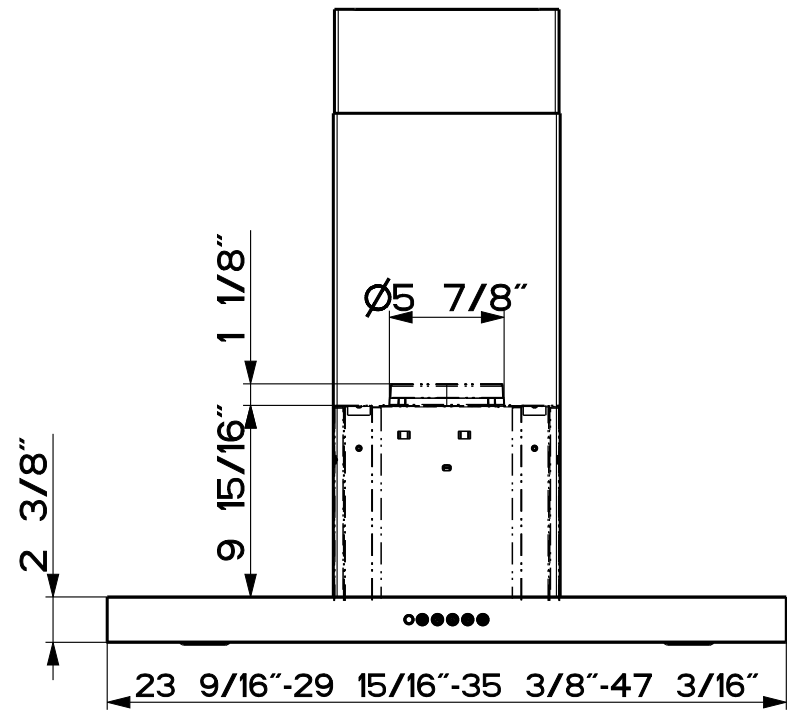



Created by Solutions	
Denomination DIMENSIONAL DRAW USA	
Lang EN 	Sheet 1/2
Modif.by	
Approved by Romani, Fabio	
Approval date 09-Sep-2021	
Doc. status Released	
Drawing N. 325115_787	Rev 01



Created by Solutions	
Denomination DIMENSIONAL DRAW USA	
Lang EN 	Sheet 2/2
Modif.by	
Approved by Romani, Fabio	
Approval date 09-Sep-2021	
Doc. status Released	
Drawing N. 325115_787	Rev 01