

---

**BERTAZZONI**  
**INSTALLATION AND USER MANUAL**  
**LINER/INSERT HOODS**

**EN**

---

**BERTAZZONI**  
**INSTRUCTIONS D'INSTALLATION ET D'UTILISATION**  
**HOTTES À FILTRE/ENCASTRABLE**

**FR**



# **READ AND SAVE THESE INSTRUCTIONS BEFORE YOU START INSTALLING THIS RANGEHOOD**

## **WARNING: - TO REDUCE THE RISK OF A RANGE TOP GREASE FIRE:**

- a) Never leave surface units unattended at high settings. Boilovers cause smoking and greasy spillovers that may ignite. Heat oils slowly on low or medium setting.
- b) Always turn hood ON when cooking at high heat or when flambeing food (i.e. Crepes Suzette, Cherries Jubilee, Peppercorn Beef Flambé).
- c) Clean ventilating fans frequently. Grease should not be allowed to accumulate on fan or filter.
- d) Use proper pan size. Always use cookware appropriate for the size of the surface element.

## **WARNING: - TO REDUCE THE RISK OF INJURY TO PERSONS IN THE EVENT OF A RANGE TOP GREASE FIRE, OBSERVE THE FOLLOWING\*:**

- a) **SMOTHER FLAMES** with a close-fitting lid, cookie sheet, or metal tray, then turn off the burner. **BE CAREFUL TO PREVENT BURNS.** If the flames do not go out immediately **EVACUATE AND CALL THE FIRE DEPARTMENT.**
- b) **NEVER PICK UP A FLAMING PAN** - You may be burned.
- c) **DO NOT USE WATER**, including wet dishcloths or towels - a violent steam explosion will result.
- d) Use an extinguisher **ONLY** if:
  - 1. You know you have a Class ABC extinguisher, and you already know how to operate it.
  - 2. The fire is small and contained in the area where it started.
  - 3. The fire department is being called.
  - 4. You can fight the fire with your back to an exit.

\* Based on "Kitchen Firesafety Tips" published by NFPA

## **WARNING - TO REDUCE THE RISK OF FIRE OR ELECTRIC SHOCK, do not use this fan with any solid-state speed control device.**

## **WARNING - TO REDUCE THE RISK OF FIRE, ELECTRICAL SHOCK, OR INJURY TO PERSONS, OBSERVE THE FOLLOWING:**

- 1. Use this unit only in the manner intended by the manufacturer. If you have any questions, contact the manufacturer.
- 2. Before servicing or cleaning unit, switch power off at service panel and lock the service disconnecting means to prevent power from being switched on accidentally. When the service disconnecting means cannot be locked, securely fasten a prominent warning device, such as a tag, to the service panel.

## **CAUTION: For General Ventilating Use Only. Do Not Use To Exhaust Hazardous or Explosive Materials and Vapors.**

## **WARNING - TO REDUCE THE RISK OF FIRE, ELECTRICAL SHOCK, OR INJURY TO PERSONS, OBSERVE THE FOLLOWING:**

- 1. Installation Work And Electrical Wiring Must Be Done By Qualified Person(s) In Accordance With All Applicable Codes And Standards, Including Fire-Rated Construction.
- 2. Sufficient air is needed for proper combustion and exhausting of gases through the flue (chimney) of fuel burning equipment to prevent backdrafting. Follow the heating equipment manufacturer's guideline and safety standards such as those published by the National Fire Protection Association (NFPA), and the American Society for Heating, Refrigeration and Air Conditioning Engineers (ASHRAE), and the local code authorities.

1. **When cutting or drilling into wall or ceiling, do not damage electrical wiring and other hidden utilities.**
2. **Ducted fans must always be vented to the outdoors.**

ALL WALL AND FLOOR OPENINGS WHERE THE RANGEHOOD IS INSTALLED MUST BE SEALED.

**This rangehood requires at least 24" of clearance** between the bottom of the rangehood and the cooking surface or countertop. This hood has been approved by UL at this distance from the cooktop.

This minimum clearance may be higher depending on local building codes. For gas cooktops and combination ranges, a minimum of 30" is recommended and may be required.

Overhead cabinets on both sides of this unit must be a minimum of 18" above the cooking surface or countertop. Consult the cooktop or range installation instructions given by the manufacturer before making any cutouts.

**MOBILE HOME INSTALLATION** The installation of this rangehood must conform to the Manufactured Home Construction and Safety Standards, Title 24 CFR, Part 3280 (formerly Federal Standard for Mobile Home Construction and Safety, Title 24, HUD, Part 280). See Electrical Requirements.

### VENTING REQUIREMENTS

Determine which venting method is best for your application. Ductwork can extend either through the wall or the roof.

The length of the ductwork and the number of elbows should be kept to a minimum to provide efficient performance. The size of the ductwork should be uniform. Do not install two elbows together. Use duct tape to seal all joints in the ductwork system. Use caulking to seal exterior wall or floor opening around the cap.

**Flexible ductwork is not recommended. Flexible ductwork creates back pressure and air turbulence that greatly reduces performance.**

Make sure there is proper clearance within the wall or floor for exhaust duct before making cutouts. Do not cut a joist or stud unless absolutely necessary. If a joist or stud must be cut, then a supporting frame must be constructed.

**WARNING - To Reduce The Risk Of Fire, Use Only Metal Ductwork.**

**CAUTION - To reduce risk of fire and to properly exhaust air, be sure to duct air outside – Do not vent exhaust air into spaces within walls or ceilings or into attics, crawl spaces, or garages.**

### Cold Weather installations

An additional back draft damper should be installed to minimize backward cold air flow and a non-metallic thermal break should be installed to minimize conduction of outside temperatures as part of the vent system. The damper should be on the cold air side of the thermal break. The break should be as close as possible to where the vent system enters the heated portion of the house.



## WARNING

- Venting system **MUST** terminate outside the home.
- **DO NOT** terminate the ductwork in an attic or other enclosed space.
- **DO NOT** use 4" laundry-type wall caps.
- Flexible-type ductwork is not recommended.
- **DO NOT** obstruct the flow of combustion and ventilation air.
- Failure to follow venting requirements may result in a fire.

## ELECTRICAL REQUIREMENTS

A 120 volt, 60 Hz AC-only electrical supply is required on a separate 15 amp fused circuit. A time-delay fuse or circuit breaker is recommended. The fuse must be sized per local codes in accordance with the electrical rating of this unit as specified on the serial/rating plate located inside the unit near the field wiring compartment.



## WARNING

- Electrical ground is required on this rangehood.
- If cold water pipe is interrupted by plastic, nonmetallic gaskets or other materials, DO NOT use for grounding.
- DO NOT ground to a gas pipe.
- DO NOT have a fuse in the neutral or grounding circuit. A fuse in the neutral or grounding circuit could result in electrical shock.
- Check with a qualified electrician if you are in doubt as to whether the rangehood is properly grounded.
- Failure to follow electrical requirements may result in a fire.

### State of California Proposition 65 Warning (US only)

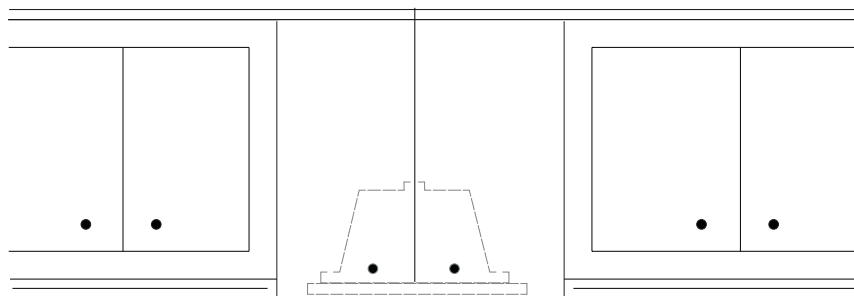
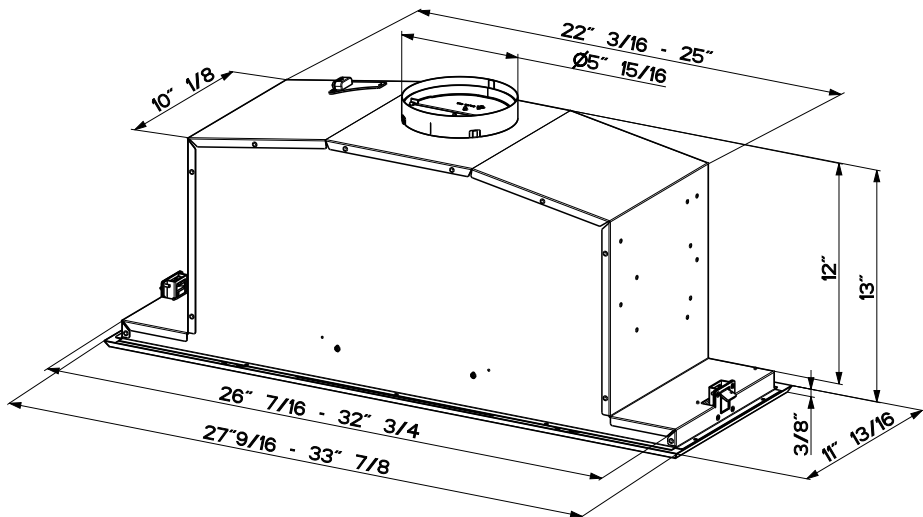
#### WARNING

This product contains chemicals known to the State of California to cause cancer and birth defects or other reproductive harm.

For more information go to [www.P65Warnings.ca.gov](http://www.P65Warnings.ca.gov)

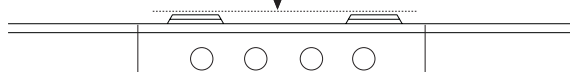
# RANGEHOOD DIMENSIONS

## KIN30XV - KIN36XV



Min. 24"

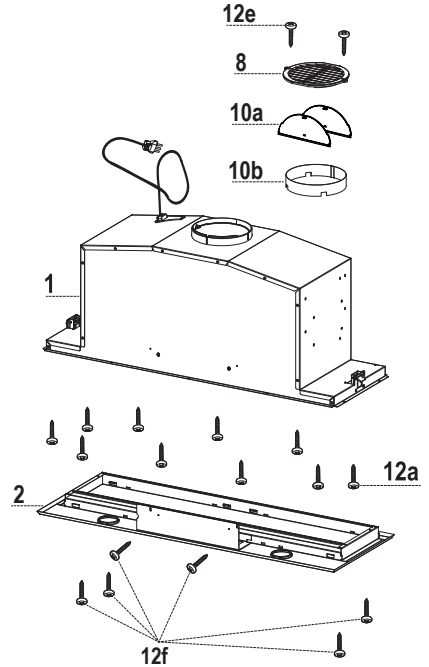
Min. 30"



## MAIN PARTS

### Components

Ref.	Qty.	Product Components
1	1	Hood Body, complete with: Controls, Light, Filters, Blower.
2	1	Frame
8	1	Recirculation Vent Grill
10a	2	Damper flaps
10b	1	Metallic damper ring
Ref.	Qty.	Installation Components
12a	10	Screws (for hood installation)
12e	2	Screws 1/8"x3/8" (for Recirculation Vent Grill mounting)
12f	6	Screws 1/8"x5/16" torx (for frame mounting)
Qty.	Documentation	
1	Instruction Manual	



### Parts needed

- 6" Round Metal ductwork.

### Available Accessories

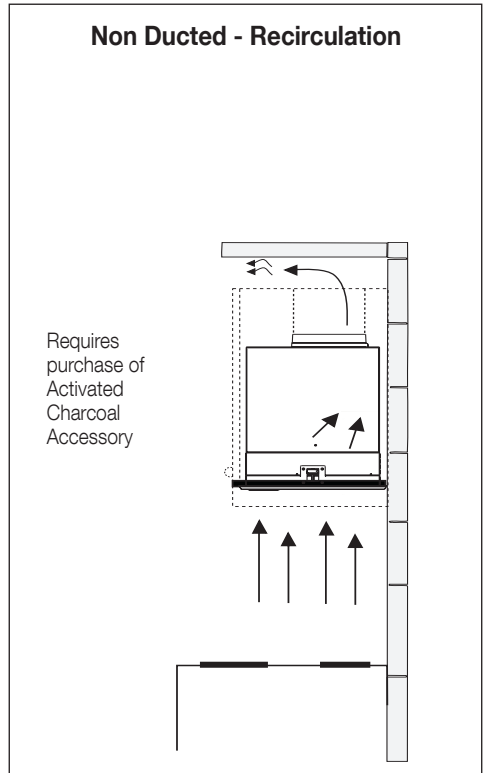
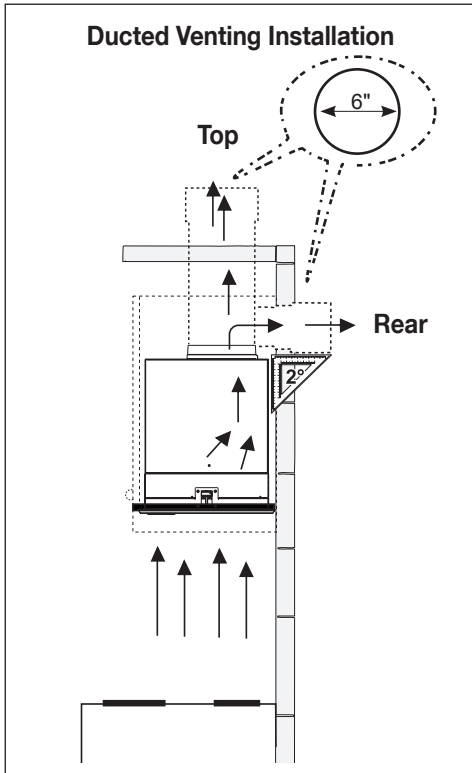
Charcoal Filter kit sku #901531

Durable charcoal filter kit sku #901532

Remote Control Accessory sku #901575



## Choose your ducting method

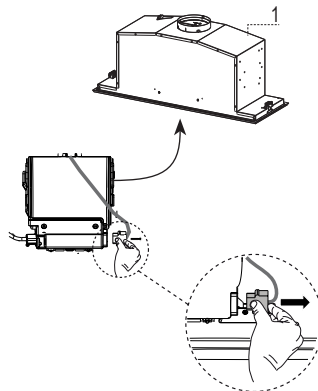


# 1

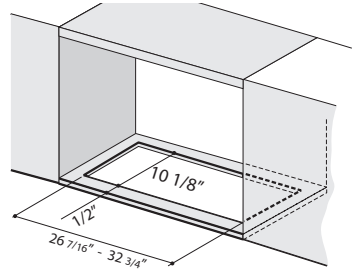
## Install the rangehood (Follow these steps before attempting to install the Insert)

The Electrical Connection Cable must be disconnected first before installation;

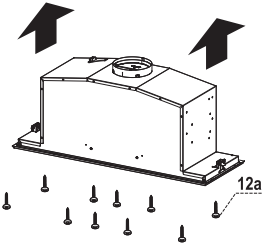
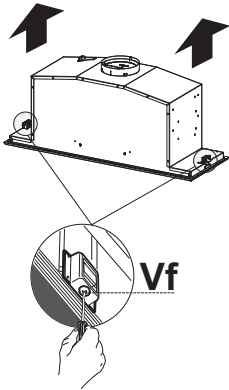
Disconnect the Electrical Connector as shown in the figure. Depress the two tabs on the side of the Electrical Connector using your hand and a small flat head screwdriver and pull off.



The Hood can be installed directly on the underside of the wall unit (Minimum 24" - 30" from the Cooking Surface).

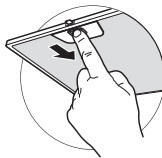


Create an opening in the bottom of the wall unit, as shown.

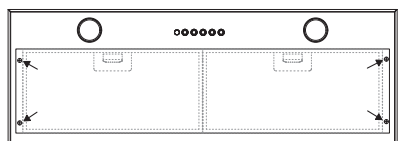
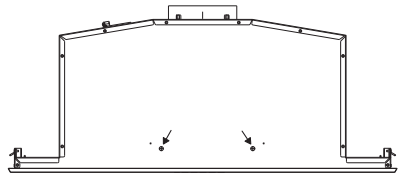


Insert the hood until the side supports snap into place.  
Fasten using the 10 screws **12a** provided.  
Lock in position by tightening the screws **Vf** from underneath the hood.

Remove grease filters and set aside.



Screw the Frame into place using the 6 screws **12f** (1/8"x5/16" torx), reconnect the wires to the Connector) removed previously. Replace the metal grease filters.

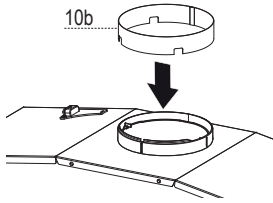




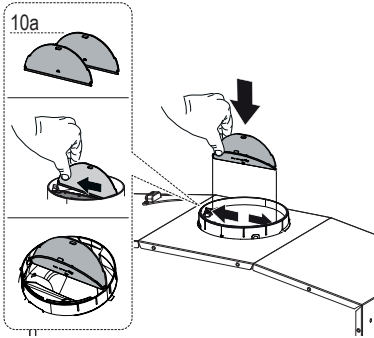
# 2

## Choose your ducting method

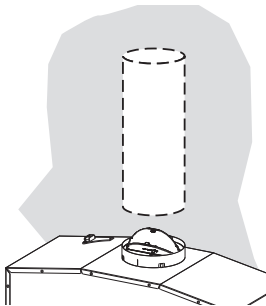
### Ducted Venting Installation



Install metal damper ring (10b) included with the Hood.

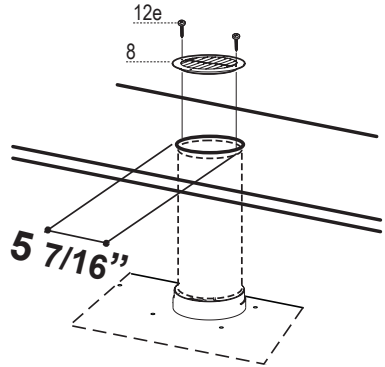


Install the damper flaps (10a) that are included with hood by snapping the tabs into place inside the top of the hood before connecting ductwork.



Install Roof or Wall Cap purchased separately. Connect the 6" metal ductwork to the Roof or Wall Cap and then attach ductwork. Seal with foil tape.

### Non Ducted - Recirculation Option



For Non-Ducted Recirculation venting route the ductwork to a location above the hood where the discharge is vented back into the room.

Use the included Recirculation Vent Grill to cover the opening. Secure the grill with the 2 screws provided in the Install Kit.

Fit a straight tube at least 15" in length from the Hood air outlet to the wall unit.

Required Charcoal Filter kit sku #901531  
Durable charcoal filter kit sku #901532



### 3

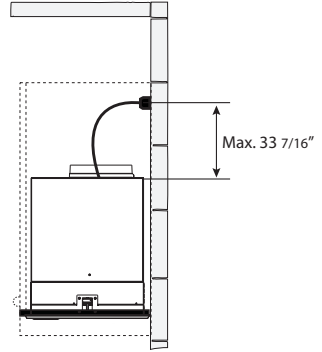
#### ELECTRICAL INSTALLATION WITH CONNECTION CABLE

**GROUNDING INSTRUCTIONS** This appliance must be grounded. In the event of an electrical short circuit, grounding reduces the risk of electric shock by providing an escape wire for the electric current. This appliance is equipped with a cord having a grounding wire with a grounding plug. The plug must be plugged into an outlet that is properly installed and grounded.

**WARNING** - Improper grounding can result in a risk of electric shock.

Consult a qualified electrician if the grounding instructions are not completely understood, or if doubt exists as to whether the appliance is properly grounded.

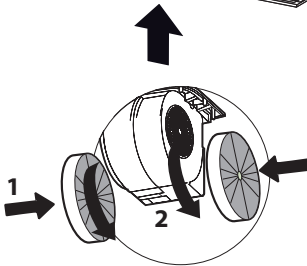
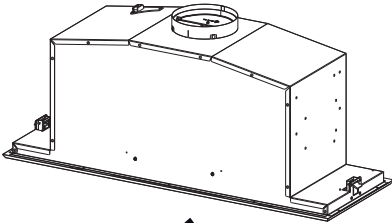
Do not use an extension cord. If the power supply cord is too short, have a qualified electrician install an outlet near the appliance.



**WARNING** - "The supply cord shall be accessible for inspection after installation".

### 4

#### For Non-Ducted Recirculation Option

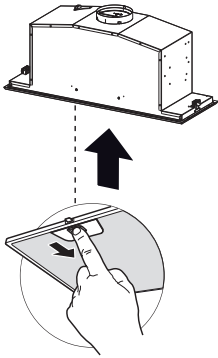


Attach each charcoal filter to the black grid on each side of the blower. Press the charcoal filter tightly to the black grid on the blower side and rotate the filter clockwise (towards the front of the insert hood) until it locks into place. Turn counterclockwise (towards the back of the insert hood) to remove.

Required Charcoal Filter kit sku  
#901531  
Durable charcoal filter kit sku  
#901532



**5**

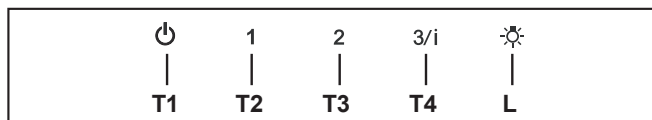


Replace the grease filters removed previously.

## USE AND CARE INFORMATION

### For Best Results

Start the rangehood several minutes before cooking to develop proper airflow. Allow the rangehood to operate for several minutes after cooking is complete to clear all smoke and odors from the kitchen.



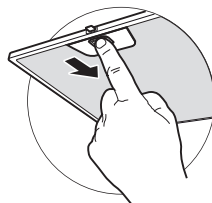
- T1.** Fan off button: turn the blower Off. The fan can be operated by pressing any of the fan setting buttons. Hold down this button for 2 seconds to activate Delay off function which will keep the fan on for 15 minutes and automatically shut off.
- T2.** Fan settings buttons: Low speed.
- T3.** Fan settings buttons: Medium speed.
- T4.** Fan settings buttons: High speed / Intensive speed.  
Hold down the button for 2 seconds to activate the intensive speed, which is timed to run for 6 minutes. At the end of this time it will automatically return to the speed set before. Suitable to deal with maximum levels of cooking fumes.
- L.** Light button: On/Off switch for the lights.

NOTE: If your product has had a CFM adjustment, refer to the CFM adjustment manual for the information. Some motor speeds or functions may be reduced.

## Cleaning metal grease filters

The metal grease filters can be cleaned in hot detergent solution or washed in the dishwasher. They should be cleaned every 2 months use, or more frequently if use is particularly heavy.

- Remove the filter, pushing the lever towards the back of the unit and at the same time pulling downward.
- Wash the filter without bending it, leave it to dry thoroughly before replacing (if the surface of the filter changes color over time, this will have absolutely no effect on its efficiency).
- Replace, taking care to ensure that the handle faces forward.
- Cleaning in dishwasher may dull the finish of the metal grease filter.
- No water can be present in filters before installing back in hood.



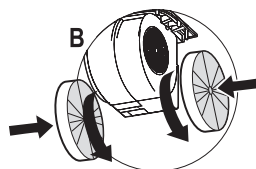
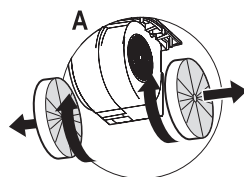
## Replacing Activated Charcoal Filter

The Activated Charcoal Filters are not washable and cannot be regenerated, and should be replaced approximately every 4 months of operation, or more frequently with heavy usage.

- Remove the Filter, pushing it towards the back of the unit and at the same time pulling downward.
- Remove the saturated Activated Charcoal Filters, as indicated (A).
- Fit the new Filters, as indicated (B).
- Replace, taking care to ensure that the handle faces forwards.

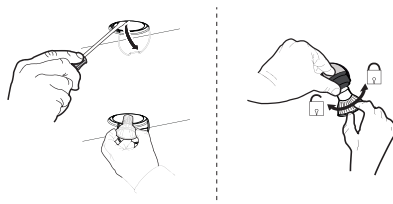
**Caution:** "When used in recirculation mode, to Reduce the Risk of Fire and Shock use only conversion kit Model Charcoal Filter kit sku #901531; Durable charcoal filter kit sku #901532".

Please contact the retailer that sold you the product to purchase carbon filters above.



## Lighting unit

- Replace the lamp with a new one of the same type, making sure that you insert the two pins properly into the housings on the lamp holder.



Gu10 self-ballasted  
led lamps – listed in  
accordance with ul 1993/  
nmx-j-578/1-ance/csa  
c22.2 No. 1993





---

Please kindly register on our web site [www.bertazzoni.com](http://www.bertazzoni.com) to validate your new product warranty and help us to assist you better in case of any inconvenience.

### **TWO YEAR LIMITED WARRANTY**

The warranties provided by Bertazzoni Spa in this statement apply exclusively to Bertazzoni appliances and accessories sold as new products to the original owner by a Bertazzoni authorized distributor, retailer, dealer or service center and installed in the United States and Canada. The warranties provided in this statement are not transferable and have validity from the date of installation.

### **COVERAGE INFORMATION**

Bertazzoni SpA will repair or replace any component part which fails or proves defective due to materials and/or workmanship within 2 years from the date of installation and under conditions of normal residential use. Repair or replacement will be free of charge, including labor at standard rates and shipping expenses. Repair service must be performed by a Bertazzoni Authorized Service Center during normal working hours.

### **COSMETIC WARRANTY**

Bertazzoni will cover parts showing cosmetic defects in material and workmanship for a period of thirty (30) days from date of installation of the unit. This coverage will include scratches, stains, surface imperfections on stainless steel, paint and porcelain, with the exclusion of slight differences in color due to materials and painting/enamelling technologies.

Exclusions are labor costs, B stock items, out - of - box appliances and display units.

### **HOW TO OBTAIN SERVICE**

To obtain service please contact Bertazzoni Customer Service at the numbers below and make sure to have model number, serial number, and date of purchase ready. This information will be requested by our team and is crucial to speeding up resolution.

UNITED STATES <https://us.bertazzoni.com/more/support>

Phone: 866-905-0010

CANADA <https://ca.bertazzoni.com/more/support>

Phone : 800-361-0799

Save proof of original purchase or of original installation to establish warranty period. Copy of the product serial tag is affixed to the back cover of the instruction manual.

### **WHAT IS NOT COVERED**

- 1.The product used in any commercial/business application
- 2.Repair service provided by other than a Bertazzoni authorized service agent.
- 3.Damage or repair service to correct service provided by an unauthorized agency or the use of unauthorized parts.
- 4.Installation not in accordance with local electrical codes or plumbing codes.
- 5.Defects or damage due to improper storage of the product.
- 6.Defects or damage or missing parts on products sold out of the original factory packaging or from displays.
7. Service calls or repairs to correct the installation of the product and/or related accessories.
8. Service calls to connect, convert or otherwise repair the electrical wiring / gas line / water line to properly use the product.
9. Service calls to provide instructions on the use of a Bertazzoni product.
10. Repair service due to product usage in manner other than what is normal and customary for home use.
11. Replacement of wear and tear parts
12. Replacement of glasses and light bulbs if they are claimed to have failed later than 30 days after installation and in no case later than 4 months after date of purchase
13. Defects and damages arising from accident, alteration, misuse, abuse, improper installation.
14. Defects and damages arising from transportation of the product to the home of the owner.
15. Defects and damage arising from external forces beyond the control of Bertazzoni SpA such as fire, flood, earthquakes and other acts of God.

**In case the product will be installed in a remote area, where certified trained technicians are not reasonably available, the customer will be responsible for the transportation costs for the delivery of the product to the nearest authorized service center or for the displacement costs of a certified trained technician.**

**Bertazzoni does not assume any responsibility for incidental or consequential damages.**

Some states do not allow the exclusion or limitation of incidental or consequential damages, so the above limitation or exclusion may not apply to you. This warranty gives you specific legal rights and you may also have other rights which may vary from state to state or province to province.

## VEUILLEZ LIRE ET CONSERVER LA PRÉSENTE NOTICE AVANT DE COMMENCER L'INSTALLATION DE LA HOTTE DE CUISINE

### AVERTISSEMENT : POUR RÉDUIRE LE RISQUE D'UN FEU DE GRAISSE SUR LA TABLE DE CUISSON :

- a) Ne laissez jamais sans surveillance les éléments de la surface de cuisson à température élevée. Les bouillonnements excessifs peuvent provoquer de la fumée et les débordements de graisse peuvent s'enflammer. L'huile doit être chauffée lentement, à une température basse ou moyenne.
- b) Assurez-vous de toujours mettre en marche le ventilateur de la hotte lorsque vous cuisinez à température élevée ou préparez un mets flambé (p.ex. crêpes Suzette, cerises jubilé, bœuf flambé).
- c) Nettoyez régulièrement les ventilateurs d'aspiration. Assurez-vous de ne pas laisser de la graisse s'accumuler sur le ventilateur ou le filtre.
- d) Utilisez toujours des poêles et casseroles de la taille appropriée. Utilisez toujours des ustensiles de cuisine de la taille adaptée à celle de l'élément chauffant.

### AVERTISSEMENT : - POUR PRÉVENIR LES BLESSURES EN CAS DE FEU DE GRAISSE SUR LA TABLE DE CUISSON, SUIVEZ LES RECOMMANDATIONS SUIVANTES\* :

- a) **ÉTOUFFEZ LES FLAMMES** à l'aide d'un couvercle hermétique, d'une plaque à biscuits ou d'un plateau métallique, puis éteignez le brûleur. FAITES ATTENTION AUX BRÛLURES. Si le feu ne s'éteint pas immédiatement, QUITTEZ LES LIEUX ET APPELEZ LES POMPIERS.
- b) **NE PRENEZ JAMAIS UNE CASSEROLE EN FLAMME** - Vous pourriez vous brûler.
- c) **N'UTILISEZ JAMAIS DE L'EAU**, ni un linge à vaisselle ou un torchon mouillé, pour éteindre le feu. Cela pourrait provoquer une violente explosion de vapeur.
- d) Utilisez un extincteur **UNIQUEMENT** si :
  1. Vous êtes certain qu'il s'agit d'un extincteur de classe ABC et que vous connaissez bien son mode d'emploi.
  2. Le feu est de faible intensité et se limite à l'endroit où il a démarré.
  3. Les pompiers ont déjà été appelés.
  4. Une voie de sortie se trouve derrière vous pendant que vous éteignez les flammes.

\* D'après le guide « Kitchen Firesafety Tips » publié par la NFPA aux États-Unis

**AVERTISSEMENT - POUR RÉDUIRE LE RISQUE D'INCENDIE OU DE CHOC ÉLECTRIQUE**, n'utilisez jamais ce ventilateur en association avec un dispositif de réglage de vitesse à semi-conducteurs.

**AVERTISSEMENT - POUR RÉDUIRE LES RISQUES D'INCENDIE, DE CHOC ÉLECTRIQUE OU DE BLESSURE CORPORELLE**, RESPECTEZ LES INSTRUCTIONS SUIVANTES :

1. Utilisez cet appareil uniquement de la façon prévue par le fabricant. Pour toute question, communiquez avec le fabricant.
2. Avant de procéder à l'entretien ou au nettoyage de l'appareil, coupez l'alimentation au niveau du panneau électrique et verrouillez-le pour vous assurer que l'électricité n'est pas rétablie accidentellement. S'il n'est pas possible de verrouiller le dispositif d'interruption de l'alimentation, affichez de façon ferme et bien visible un avis de danger, par exemple à l'aide d'une étiquette sur le panneau.

**ATTENTION** : Destiné à un usage de ventilation générale uniquement. N'utilisez pas ce dispositif pour l'aspiration de vapeurs ou de matériaux dangereux ou explosifs.

**AVERTISSEMENT - POUR RÉDUIRE LES RISQUES D'INCENDIE, DE CHOC ÉLECTRIQUE OU DE BLESSURE CORPORELLE**, RESPECTEZ LES INSTRUCTIONS SUIVANTES :

1. L'installation et le branchement électrique doivent être réalisés par un technicien qualifié et conformément à tous les codes et normes en vigueur, incluant ceux concernant la construction à l'épreuve du feu.
2. Afin de garantir une combustion et une évacuation adéquates des gaz par les conduites de la cheminée des appareils à combustion, une bonne aération est nécessaire pour éviter le refoulement. Respectez les lignes directrices fournies par le fabricant du matériel chauffant, ainsi que les normes de sécurité comme celles publiées par la National Fire Protection Association (NFPA) et la American Society for Heating, Refrigeration and Air Conditioning Engineers (ASHRAE) aux États-Unis, ainsi que les codes en vigueur dans votre région.
3. Lorsque vous faites une ouverture ou percez dans un mur ou le plafond, veillez à ne pas endommager les fils électriques ou d'autres dispositifs cachés.



#### 4. Les ventilateurs canalisés doivent toujours être raccordés à l'extérieur.

TOUTE OUVERTURE DANS LE MUR OU LE PLANCHER À PROXIMITÉ DE LA HOTTE DOIT ÊTRE SCELLÉE.

**Un espace libre d'au moins 24" est requis** entre le bas de la hotte et la surface de cuisson ou le comptoir. Cette hotte a été homologuée par l'UL à cette distance de la surface de cuisson.

L'espace libre minimal requis peut-être plus grand, selon la réglementation en matière de construction de votre région. Pour les cuisinières à gaz et les cuisinières combinées, un espace minimal de 30" est recommandé et pourrait être exigé.

Les armoires suspendues de chaque côté de l'appareil doivent se trouver à au moins 18" de la surface de cuisson ou du comptoir. Consultez la notice d'installation de la surface de cuisson ou de la cuisinière fournie par le fabricant avant de pratiquer des ouvertures.

**INSTALLATION DANS UNE MAISON MOBILE** L'installation de cette hotte doit être conforme à la Partie 3280 de la norme Manufactured Home Construction and Safety Standards, Titre 24 CFR (précédemment la partie 280 de la norme Federal Standard for Mobile Home Construction and Safety, Titre 24, HUD). Consultez la fiche technique électrique.

#### CRITÈRES DE VENTILATION

Déterminez quelle méthode de ventilation est mieux adaptée à votre application. Les conduits peuvent passer par le mur ou le toit.

Pour garantir une meilleure efficacité, la longueur des conduits et le nombre de coudes doivent être le plus limités que possible. Le diamètre des conduits devrait être uniforme. N'installez pas deux coudes ensemble. Utilisez un ruban pour canalisations afin de sceller tous les joints du système de conduits. Utilisez un calfeutrage pour sceller les ouvertures dans le mur extérieur ou le plancher, autour du clapet.

**Il n'est pas recommandé d'utiliser des conduits flexibles. Les conduits flexibles provoquent une contre-pression et de la turbulence qui diminuent grandement l'efficacité de l'appareil.**

Assurez-vous que l'espace libre dans le mur ou le plancher est suffisant pour le conduit d'évacuation avant de pratiquer les ouvertures. Ne coupez jamais une poutre ou un chevron, sauf si c'est absolument nécessaire. S'il s'avère nécessaire de couper une poutre ou un chevron, la construction d'un renforcement est requise.

**AVERTISSEMENT - Pour réduire le risque d'incendie, utilisez uniquement des conduits métalliques.**

**ATTENTION - Pour réduire le risque d'incendie et pour évacuer adéquatement l'air, assurez-vous de raccorder les conduits à l'extérieur – Ne diffusez pas l'air d'évacuation dans des espaces à l'intérieur des murs ou du plafond, ou encore à l'intérieur d'un grenier, d'une galerie technique ou d'un garage.**

#### Installation dans les climats froids

Le système de ventilation doit prévoir un registre antirefoulement supplémentaire pour réduire le flux d'air froid inverse, ainsi qu'une barrière thermique non métallique pour réduire la conduction des températures extérieures. Le registre doit être installé du côté air froid par rapport à la barrière thermique. La barrière thermique doit être positionnée le plus près que possible de l'endroit où le système de ventilation pénètre dans la partie chauffée de la maison.



## AVERTISSEMENT

- Le système de ventilation DOIT déboucher à l'extérieur.
- **NE FAITES PAS** déboucher les conduits dans un grenier ou un autre endroit fermé.
- **N'UTILISEZ PAS** un clapet de sècheuse mural de 4 po.
- Il n'est pas recommandé d'utiliser des conduits flexibles.
- **N'ENTRAVEZ PAS** le flux de l'air de combustion et de ventilation.
- Le non-respect des exigences en matière de ventilation pourrait entraîner un incendie.

## FICHE TECHNIQUE ÉLECTRIQUE

Une alimentation de courant alternatif de 120 volts à 60 Hz est requise sur un circuit à fusible distinct de 15 ampères. Il est recommandé d'installer un fusible temporisé ou un disjoncteur. Le fusible doit être calibré conformément aux codes en vigueur pour les caractéristiques nominales électriques de l'appareil, indiquées sur la plaque signalétique située à l'intérieur de l'appareil, à proximité du compartiment des câblages externes.



## AVERTISSEMENT

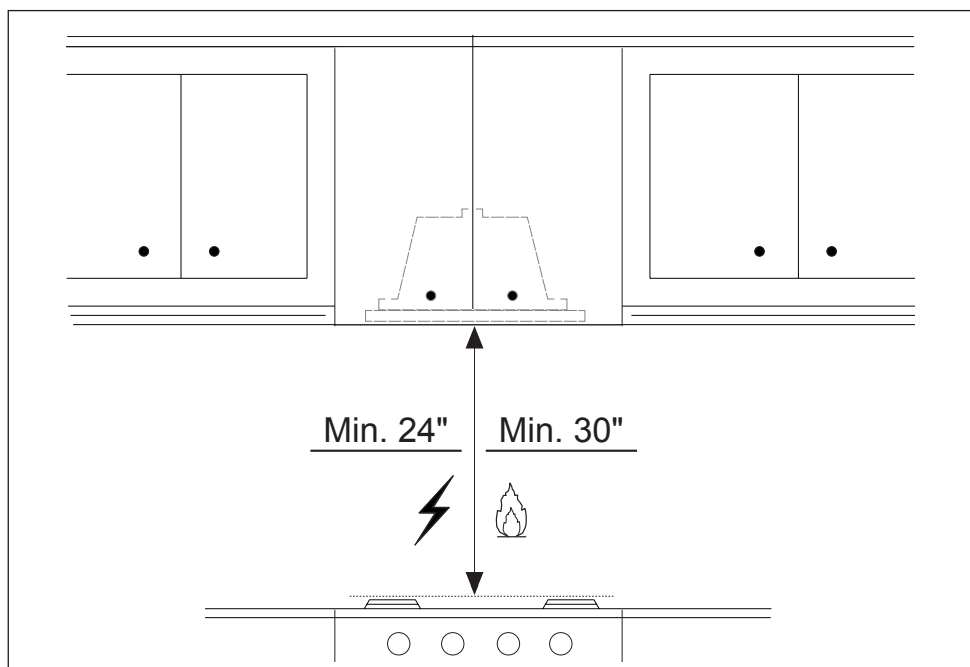
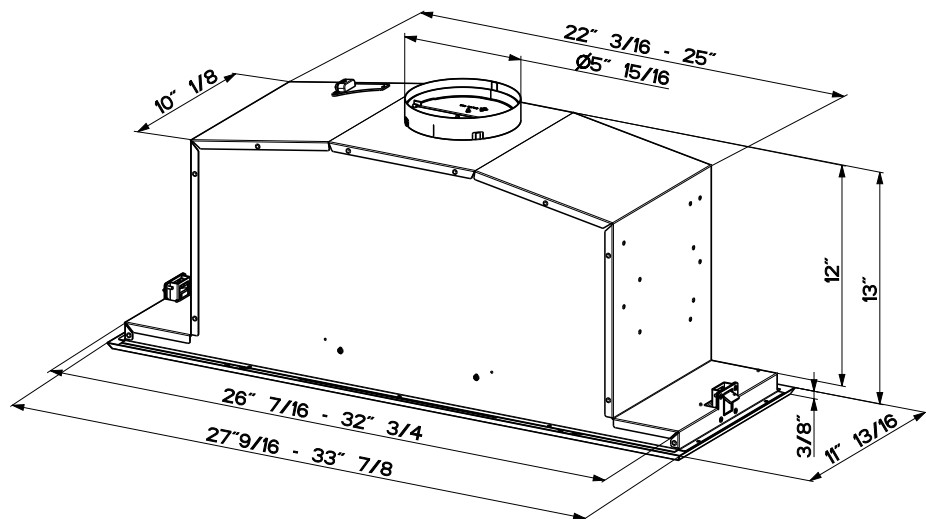
- Une mise à la terre électrique est requise pour cette hotte.
- N'UTILISEZ PAS un tuyau d'eau froide pour la mise à la terre si celui-ci est branché par des joints en plastique, par des rondelles non métalliques ou d'autres matériaux.
- N'UTILISEZ PAS une conduite de gaz pour la mise à la terre.
- N'INSTALLEZ PAS un fusible sur le circuit neutre ou le circuit de mise à la terre. La présence d'un fusible dans le circuit neutre ou de mise à la terre peut entraîner un choc électrique.
- Consultez un électricien qualifié si vous n'êtes pas certain de la mise à la terre de la hotte.
- Le non-respect des exigences de la fiche technique électrique pourrait entraîner un incendie.

### Avertissement de la proposition 65 de l'État de Californie (US seulement)

#### ATTENTION

Ce produit contient des produits chimiques connus de l'État de Californie pour causer le cancer et des malformations congénitales ou d'autres problèmes de reproduction. Pour plus d'informations, visitez [www.P65Warnings.ca.gov](http://www.P65Warnings.ca.gov)

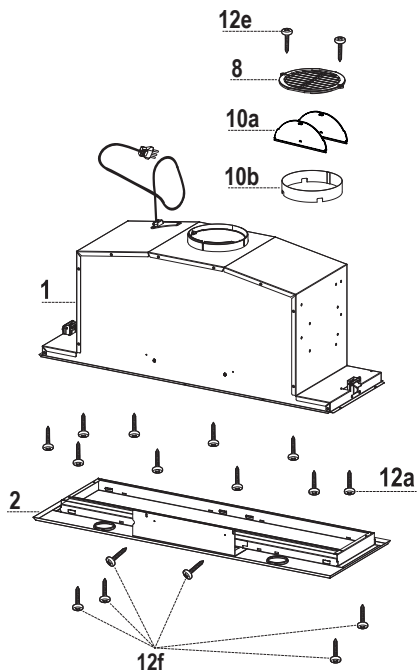
# DIMENSIONS DE LA HOTTE KIN30XV - KIN36XV



## PIÈCES PRINCIPALES

### Composants

Réf.	Qté	Composants du produit
1	1	Bâti de la hotte, avec : Commandes, éclairages, filtres, ventilateur.
2	1	Bâti
8	1	Grille d'évent de recirculation
10a	2	Clapet
10b	1	Anneau métallique du clapet
Réf.	Qté	Composants d'installation
12a	10	Vis (pour installation de la hotte)
12e	2	Vis 1/8"x3/8" (pour montage de la grille d'évent de recirculation)
12f	6	Vis 1/8"x5/16" torx (pour mon- tage du bâti)
Qté	Documentation	
1	Mode d'emploi	



### Pièces requises

- Conduit métallique 6" circulaire.

### Accessoires disponibles

Kit filtre à charbon sku #901531

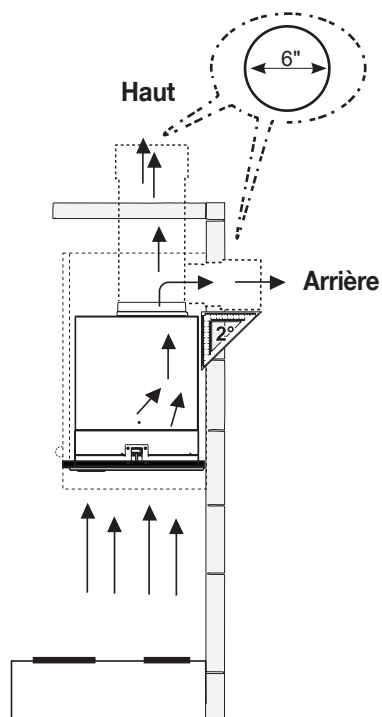
Kit filtre à charbon durable sku #901532

Accessoire commande à distance sku #901575



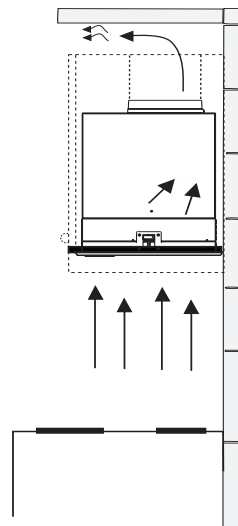
## Choisissez la méthode de canalisation

### Installation avec ventilation canalisée



### Sans canalisation - Recirculation

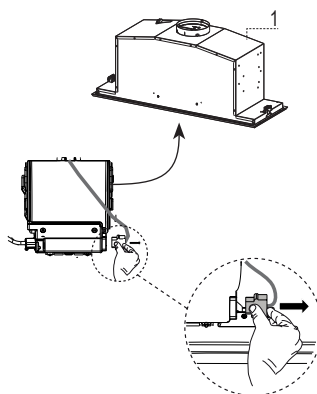
Exige  
l'achat de  
l'accessoire à  
charbon actif



# 1

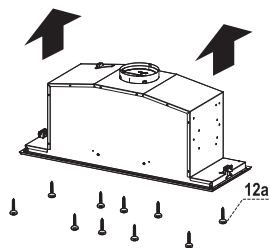
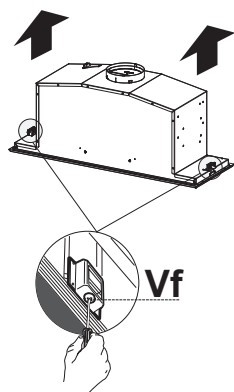
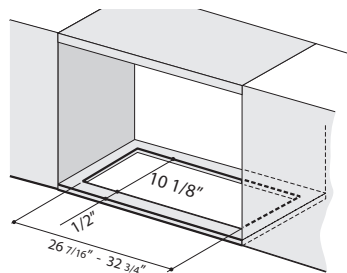
## Installation la hotte (Suivez ces étapes avant de tenter d'installer l'encastrable)

Le câble de connexion électrique doit être débranché avant l'installation ; Débranchez le connecteur électrique comme indiqué sur la figure. Appuyez sur les deux languettes situées sur le côté du connecteur électrique avec votre main et un petit tournevis à tête plate et retirez-les.



La hotte peut être installée directement sur la face en bas de l'unité murale (à une distance minimale de 24 à 30 pouces de la surface de cuisson).

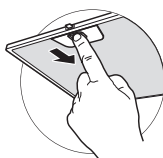
Créez une ouverture dans le bas de l'unité murale, comme illustré.



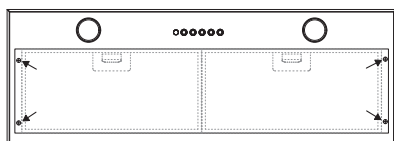
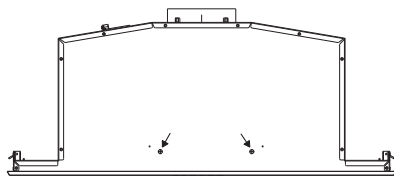
Insérez la hotte jusqu'à ce que les supports latéraux s'enclenchent en place. Fixez à l'aide des 10 vis **12a** fournies.

Verrouillez en position en serrant les vis **Vf** par le dessous de la hotte.

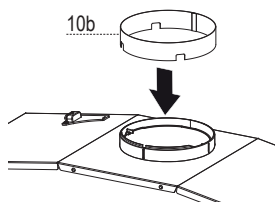
Retirez les filtres à graisse et mettez-les à part.



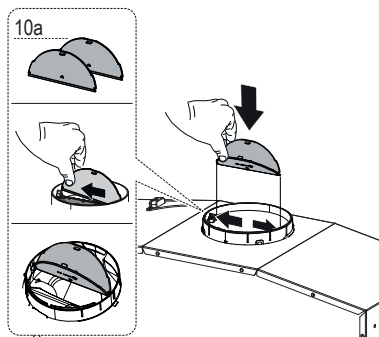
Vissez le cadre à l'aide des 6 vis **12f** (1/8 "x5/16" torx), rebranchez les fils au connecteur) précédemment retiré. Remettez en place les filtres à graisse métalliques.



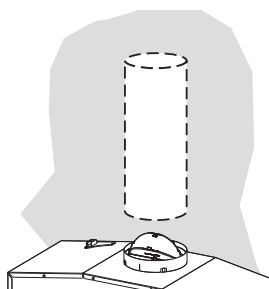
### Installation de la ventilation par conduits



Installez l'anneau métallique du clapet (10b) fourni avec la hotte.

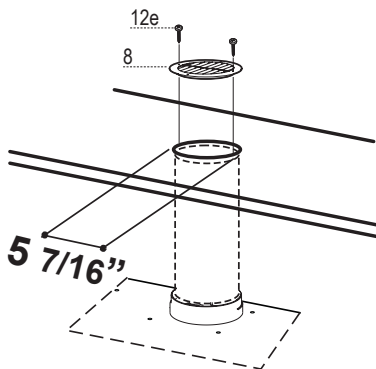


Installez les volets de clapet (10a) inclus avec la hotte en mettant les languettes en place à l'intérieur du haut de la hotte avant de raccorder les conduits.



Installez le capuchon de toit ou de mur acheté séparément. Raccordez la gaine métallique de 6 po au capuchon de toit ou de mur, puis fixez la gaine. Scellez avec du ruban adhésif.

### Option de recirculation sans conduit



Pour cette option, acheminez le conduit à un endroit situé au-dessus de la hotte où l'évacuation est renvoyée dans la pièce.

Utilisez la grille d'évent de recirculation incluse pour couvrir l'ouverture. Fixez la grille avec les 2 vis fournies dans le kit d'installation.

Installez un tube droit d'au moins 15" de longueur entre la sortie d'air de la hotte et l'unité murale.

Kit de filtre à charbon de bois requis sku #901531  
Kit filtre à charbon durable sku #901532



### 3

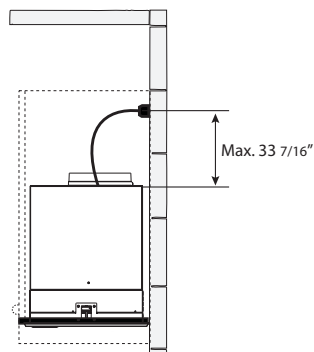
## INSTALLATION ÉLECTRIQUE AVEC CÂBLE DE CONNEXION

**INSTRUCTIONS DE MISE À LA TERRE** Cet appareil doit être mis à la terre. En cas de court-circuit électrique, la mise à la terre réduit le risque de choc électrique grâce à un fil de fuite pour le courant électrique. Cet appareil est équipé d'un cordon comportant un fil de mise à la terre et une fiche de mise à la terre. Veuillez brancher cette fiche doit être branchée dans une prise de courant correctement installée et mise à la terre.

**AVERTISSEMENT** - Une mise à la terre incorrecte peut entraîner un risque de choc électrique.

Consultez un électricien qualifié si vous ne comprenez pas parfaitement les instructions de mise à la terre ou si vous avez des doutes quant à la mise à la terre de l'appareil.

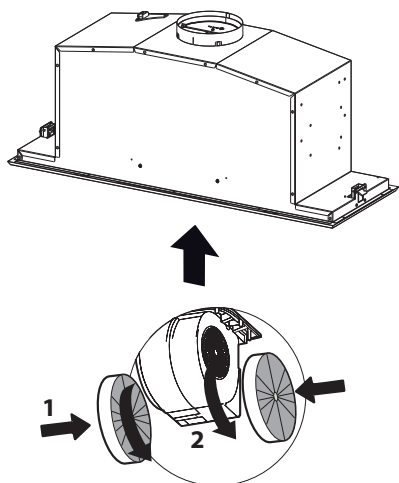
N'utilisez pas de rallonge électrique. Si le câble d'alimentation est trop court, demandez à un électricien qualifié d'installer une prise à proximité de l'appareil.



**AVERTISSEMENT** - « Le cordon d'alimentation doit être accessible pour inspection après l'installation ».

### 4

## Pour option non canalisée avec recirculation d'air



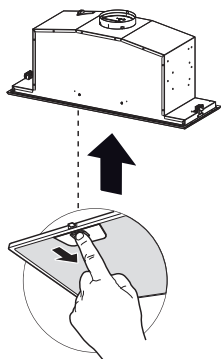
Fixez les filtres à charbon à la grille noire de chaque côté du ventilateur. Pressez fermement le filtre à charbon contre la grille noire de chaque côté du ventilateur et faites tourner le filtre dans le sens des aiguilles d'une montre (vers l'avant de la hotte encastrable) jusqu'à ce qu'il soit verrouillé en place. Faites tourner dans le sens contraire des aiguilles d'une montre (vers l'arrière de la hotte encastrable) pour l'enlever.

Kit de filtre à charbon de bois  
requis sku #901531  
Kit filtre à charbon durable sku  
#901532





**5**

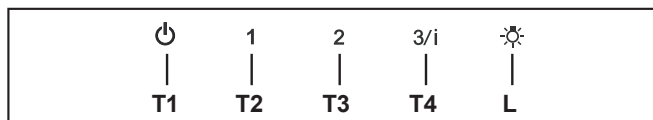


Remplacez les filtres à graisse enlevés précédemment.

## INFORMATIONS POUR L'UTILISATION ET L'ENTRETIEN

### Pour de meilleurs résultats

Activez la hotte quelques minutes avant de commencer à cuisiner pour créer un flux d'air adéquat. Laissez la hotte fonctionner quelques minutes après avoir fini de cuisiner pour absorber toute la fumée et les odeurs de la cuisine.



**T1.** Bouton arrêt du ventilateur : éteint le ventilateur. Le ventilateur peut être allumé en appuyant sur l'un ou l'autre des boutons de réglage.

Tenez ce bouton enfoncé pendant 2 secondes pour activer la fonction de désactivation retardée, qui éteindra automatiquement le ventilateur après 15 minutes de marche.

**T2.** Boutons de réglage du ventilateur : vitesse réduite.

**T3.** Boutons de réglage du ventilateur : vitesse moyenne.

**T4.** Boutons de réglage du ventilateur : vitesse élevée / vitesse intensive.

Tenez le bouton enfoncé pendant environ 2 secondes pour activer la vitesse intensive, pour une durée de 6 minutes. Après ce délai, la vitesse retournera automatiquement à la vitesse sélectionnée précédemment. Utile pour contrer les émanations maximales de cuisson.

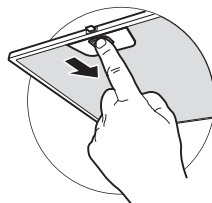
**L.** Bouton pour l'éclairage: commutateur marche/arrêt pour l'éclairage.

**REMARQUE:** Si votre produit a subi un réglage CFM, reportez-vous au manuel de réglage CFM pour plus d'informations. Certaines vitesses de moteur des fonctions peuvent être réduites.

## Nettoyage des filtres à graisse métalliques

Les filtres à graisse métalliques peuvent être lavés dans une solution d'eau chaude savonneuse ou dans le lave-vaisselle. Ils devraient être nettoyés tous les 2 mois d'utilisation, ou plus fréquemment en cas d'utilisation particulièrement intensive.

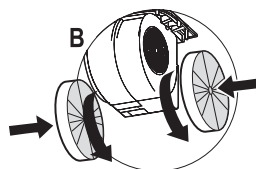
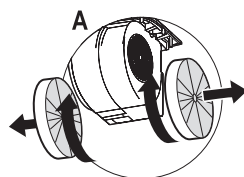
- Retirez le filtre, en poussant simultanément le levier vers l'arrière de l'appareil et en le tirant vers le bas.
- Lavez le filtre sans le plier. Laissez-le sécher complètement avant de le réinstaller (un changement de la couleur à la surface du filtre au fil du temps n'a aucun impact sur son efficacité).
- Remettez-le en place, en vous assurant que la poignée se trouve vers l'avant.
- Le lave-vaisselle pourrait ternir le fini du filtre à graisse métallique.
- Aucune eau ne peut être présente dans les filtres avant la réinstallation dans la hotte.



## Remplacement du filtre à charbon actif

Les filtres à charbon actif ne sont pas lavables et ne peuvent être régénérés. Ils doivent être remplacés environ tous les 4 mois d'utilisation, ou plus souvent en cas d'utilisation intensive.

- Retirez le filtre, en le poussant simultanément vers l'arrière de l'appareil et en le tirant vers le bas.
- Retirez les filtres à charbon actif saturés comme indiqué (A).
- Posez les nouveaux filtres, comme indiqué (B).
- Remettez-le en place, en vous assurant que la poignée se trouve vers l'avant.

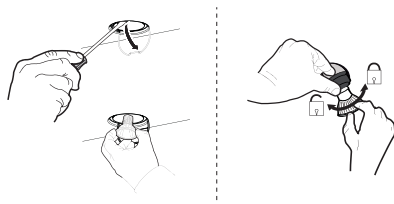


**Attention :** « Lorsqu'il est utilisé en mode recirculation, pour réduire le risque d'incendie et de choc, utilisez uniquement le kit de conversion Modèle de filtre à charbon sku #901531 ; Kit de filtre à charbon durable sku #901532 ».

Veillez contacter le détaillant qui vous a vendu le produit pour acheter les filtres à charbon ci-dessus.

## Système d'éclairage

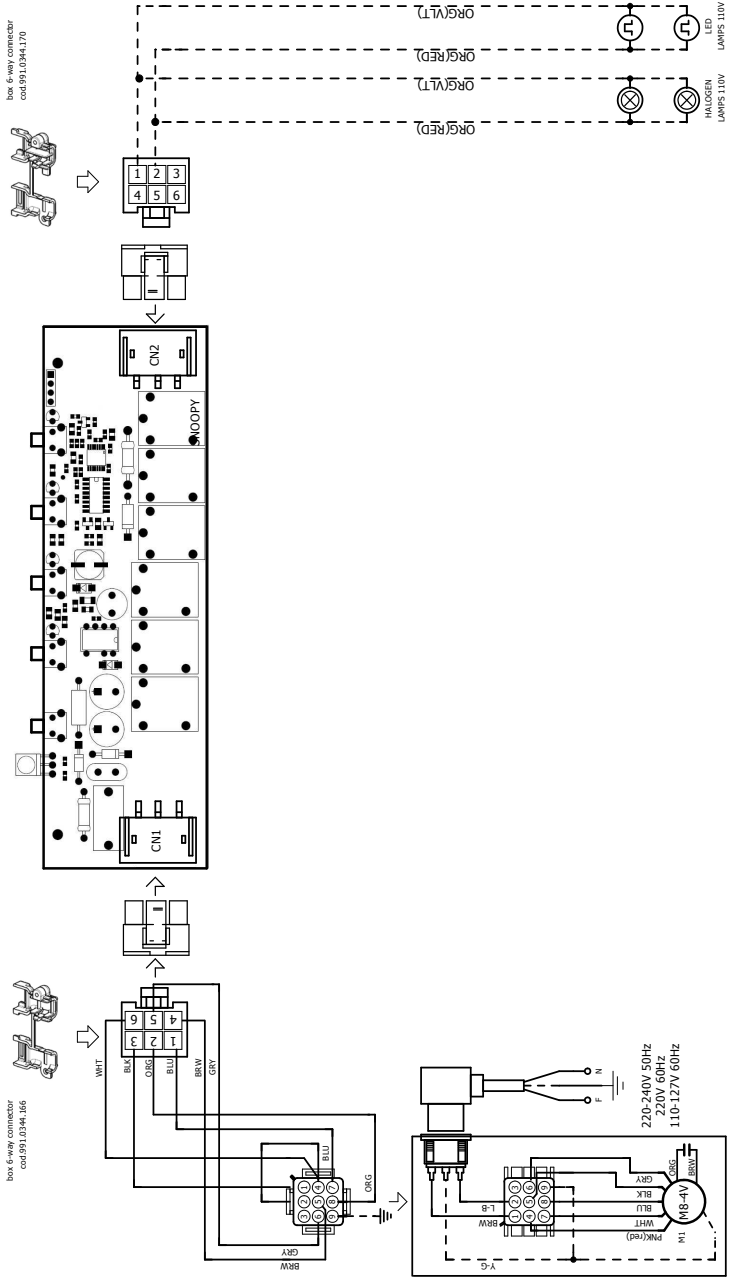
- Remplacez l'ampoule avec une nouvelle du même type, en vous assurant d'insérer correctement les deux connecteurs dans leur logement sur le socle.



Lampes DEL à ballast intégré de type Gu10 – répondant à la norme UL 1993/nmx-j-578/1-ance/ csa c22.2 No 1993



# Schéma de câblage



Nous Vous prions de bien vouloir vous enregistrer sur notre site [www.bertazzoni.com](http://www.bertazzoni.com) pour valider votre garantie du nouveau produit et nous aider à Vous aider dans le cas de dommages.

## **GARANTIE LIMITEE DE DEUX ANS**

Les garanties offertes par Bertazzoni SpA dans cette déclaration s'appliquent exclusivement aux appareils et composants Bertazzoni vendus comme neufs au propriétaire original par un distributeur, détaillant, concessionnaire ou centre de service autorisé et installés aux Etats-Unis et Canada. Les garanties fournies dans cette déclaration peuvent pas être transférées et sont valables à partir de la date d'installation.

### **INFORMATIONS SUR LA COUVERTURE**

Bertazzoni SpA procédera à la réparation ou remplacera tout composant défectueux à cause des matériaux et/ou fabrication pendant 2 ans à compter de la date d'installation et dans les conditions normales d'utilisation dans le cadre familial. La réparation ou le remplacement seront effectués à titre gratuit et incluront les frais de main-d'œuvre au tarif normal et les frais d'expédition. Les réparations doivent être effectuées par un Centre de Service Bertazzoni Autorisé pendant les heures de travail normales. Les défauts doivent être signalés dans les 30 jours qui suivent l'installation. Cette garantie couvre pas l'utilisation du produit dans le cadre commercial.

### **GARANTIE ESTHETIQUE**

Bertazzoni SpA couvre les pièces présentant des défauts cosmétiques de matériaux et de fabrication pour une période de trente (30) jours à compter de la date d'installation de l'unité. Cette couverture inclut les rayures, les taches, les imperfections de surface sur l'acier inoxydable, de la peinture et de la porcelaine, à l'exclusion de légères différences de couleur dues à des matériaux et des technologies de peinture / émailage.

**Les coûts de main-d'œuvre, B stock, appareils out-of-box et les unités d'affichage sont exclus COMMENT**

### **OBTENIR LE SERVICE CLIENT**

Pour obtenir le service de garantie, veuillez contacter Bertazzoni Customer Service aux numéros indiqués ci-dessous et fournir le numéro du modèle, le numéro de série et la date d'achat.

Cette information sera demandée par notre équipe et sera très important pour accélérer la résolution du problème.

UNITED STATES

<https://us.bertazzoni.com/more/support>

Phone: 866-905-0010

CANADA

<https://ca.bertazzoni.com/more/support>

Phone : 800-361-0799

Il faut conserver la preuve d'achat ou l'origine de l'installation afin d'établir la période de garantie. Une copie du numéro de série sera collée derrière le manuel d'emploi.

### **CE QUI NE SERA PAS PRIS EN CHARGE**

1. Le produit utilisé dans toute application commerciale/commerciale.
2. Service de réparation fourni par un agent de service autorisé autre que Bertazzoni.
3. N'importe quel dommage ou service de réparation nécessaire pour corriger un service effectué par un agent non autorisé et/ou par suite d'utilisation de pièces non autorisées.
4. Installation non conforme aux codes électriques locaux ou aux codes de plomberie.
5. Les défauts ou dommages dus à une mauvaise conservation du produit.
6. Les défauts ou dommages et les pièces oubliées sur les produits vendus à l'extérieur de l'emballage d'origine ou d'affichage.
7. Les appels de service ou des réparations pour corriger l'installation du produit et / ou accessoires.
8. Les appels de service pour se connecter, ou réparer le câblage électrique et / ou de gaz afin d'utiliser le produit d'une façon correcte.
9. Les appels de service pour fournir des instructions sur l'utilisation d'un produit Bertazzoni.
10. Service de réparation dû à une utilisation différente que celle standard et habituel à la maison.
11. Remplacement des pièces d'usure.
12. Remplacement des verres et des ampoules si elles sont échoués au plus tard 30 jours après l'installation et en aucun cas plus tard 4 mois après la date d'achat.
13. Défauts et dommages résultant d'un accident, modification, mésusage, abus, mauvaise installation.
14. Défauts et dommages résultant du transport du produit à la maison du propriétaire.
15. Les défauts et les dommages résultant de forces externes qui échappent au contrôle de Bertazzoni SpA tels que les incendies, les inondations, les tremblements de terre et autres catastrophes naturelles.

**Au cas où le produit sera installé dans une zone, là où techniciens qualifiés certifiés ne sont pas raisonnablement disponibles, le client sera responsable des coûts de transport pour la livraison du produit au centre de service autorisé le plus proche, ou pour les coûts de déplacement d'un technicien qualifié certifié Bertazzoni exclut toute responsabilité pour les dommages accidentels ou indirects.** Certains pays n'autorisent pas l'exclusion ou la limitation des dommages accidentels ou indirects, la limitation indiquée plus haut peut donc ne pas s'appliquer à vous. Cette garantie vous offre des droits spécifiques et vous pouvez bénéficier d'autres droits qui peuvent varier d'un Etat à l'autre et d'une province à l'autre.





