

---

**BERTAZZONI**  
**INSTALLATION MANUAL & USER**

---

**INDUCTION RANGETOP**



LCI

---

## TABLE OF CONTENTS

<b>INSTALLATION</b>	<b>4</b>
<b>WARNINGS</b>	<b>4</b>
<b>DATA RATING LABEL</b>	<b>6</b>
<b>BEFORE INSTALLATION</b>	<b>6</b>
<b>VENTILATION PREPARATION</b>	<b>7</b>
<b>SPECIFICATIONS</b>	<b>7</b>
<b>CLEARANCE DIMENSIONS</b>	<b>9</b>
<b>INSTALLATION REQUIREMENTS</b>	<b>10</b>
<b>Electrical</b>	<b>10</b>
<b>ELECTRICAL CONNECTION</b>	<b>10</b>
<b>WIRING DIAGRAM</b>	<b>11</b>
<b>INSTALLATION</b>	<b>12</b>
<b>Unpackaging the rangetop</b>	<b>12</b>
<b>Installing the island trim</b>	<b>13</b>
<b>INSTALLATION CHECKLIST</b>	<b>14</b>
<b>FINAL PREPARATION</b>	<b>14</b>
<b>BERTAZZONI SERVICE</b>	<b>14</b>
<b>USE</b>	<b>15</b>
<b>WARNINGS</b>	<b>16</b>
<b>WORKTOP AND KNOBS LAYOUT</b>	<b>18</b>
<b>INDUCTION COOKTOP</b>	<b>19</b>
<b>KEEPING YOUR BERTAZZONI CLEAN</b>	<b>22</b>
<b>TROUBLESHOOTING</b>	<b>23</b>
<b>TWO YEARS LIMITED WARRANTY</b>	<b>24</b>

# Models

MAST365IRTXT

PROF365IRTXT

# Models

## WARNINGS

To ensure proper and safe operation, the appliance must be properly installed and grounded by a qualified technician. DO NOT attempt to adjust, repair, service, or replace any part of your appliance unless it is specifically recommended in this manual. All other servicing should be referred to a qualified servicer.

**FOR THE INSTALLER:** Before installing the Bertazzoni appliance, please read these instructions carefully. This appliance shall be installed in accordance with the manufacturer's installation instructions.

**Important** - Save these instructions for the local electrical inspector's use.

DO NOT remove permanently affixed labels, warnings, or plates from product. This may void the warranty.

Installation must conform with all local codes. In the absence of codes:

This rangetop is NOT designed for installation in manufactured (mobile) homes or recreational park trailers.

**DO NOT install this range outdoors.**

*This appliance must be properly grounded. Grounding reduces the risk of electric shock by providing a safe pathway for electric current in the event of a short circuit.*

### **Warning!**

To avoid risk of property damage, personal injury or death; follow information in this manual exactly to prevent a fire or explosion.

### **WARNING!**

**If the information in these instructions is not followed exactly, a fire or explosion may result causing property damage, personal injury or death.**

- Do not store or use gasoline or other flammable vapors and liquid in the vicinity of this or any other appliance.

### **WARNING!**

**Never Operate the Top Surface Cooking Section of this Appliance Unattended.**

- Failure to follow this warning statement could result in fire, explosion, or burn hazard that could cause property damage, personal injury, or death.
- If a fire should occur, keep away from the appliance and immediately call your fire department.

**DO NOT ATTEMPT TO EXTINGUISH AN OIL/GREASE FIRE WITH WATER**

### **DANGER!!! ELECTRIC SHOCK HAZARD!!!**

To avoid risk of electrical shock, personal injury or death, verify that the appliance has been properly grounded in accordance with local codes or in absence of codes, with the National Electrical Code (NEC). ANSI/NFPA 70- latest edition.



**WARNING:**

Cancer and Reproductiv Harm-  
[www.P65Warnings.ca.gov](http://www.P65Warnings.ca.gov).

## DATA RATING LABEL

The data rating label shows the model and serial number of the rangetop. It is located under the rangetop (see fig.) and on the cover page of this manual.

- DO NOT remove permanently affixed labels, warnings, or plates from product. This may void the warranty.

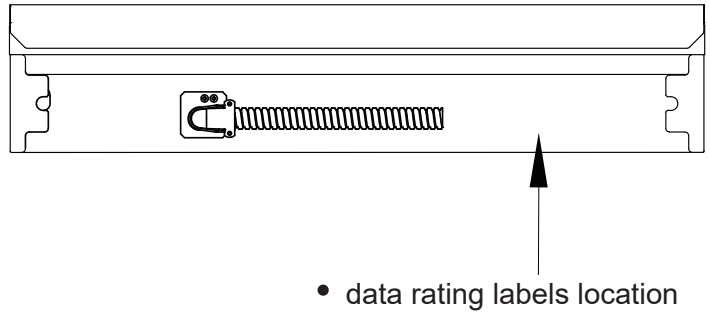
## BEFORE INSTALLATION

- This appliance shall only be installed by an authorized professional.
- This appliance shall be installed in accordance with the manufacturer's installation instructions.
- This appliance must be installed in accordance with the norms & standards of the country where it will be installed.
- The appliance, when installed, must be electrically grounded in accordance with local codes or, in the absence of local codes, with the National Electrical Code, ANSI/NFPA 70.

### Room ventilation

An exhaust fan may be used with the appliance; in each case it shall be installed in conformity with the appropriate national and local standards. Exhaust hood operation may affect other vented appliances; in each case it shall be installed in conformity with the appropriate national and local standards.

**Do not use aerosol sprays in the vicinity of this appliance while it is in operation.**



## VENTILATION PREPARATION

This rangetop will best perform when installed with Bertazzoni exhaust hoods. These hoods have been designed to work in conjunction with the Bertazzoni range and have the same finish for a perfect look.

Before installation of the exhaust hood, consult local or regional building and installation codes for additional specific clearance requirements.

Refer to the rangetop hood installation instructions provided by the manufacturer for additional information.

### Select Hood and Blower Models:

- For wall installations, the hood should be equal or larger width than the range. Where space permits, a hood larger than the range may be desirable for improved ventilation performance.
- For island installations, the hood width should overhang the range by a minimum of 3" (76 mm) on each side.

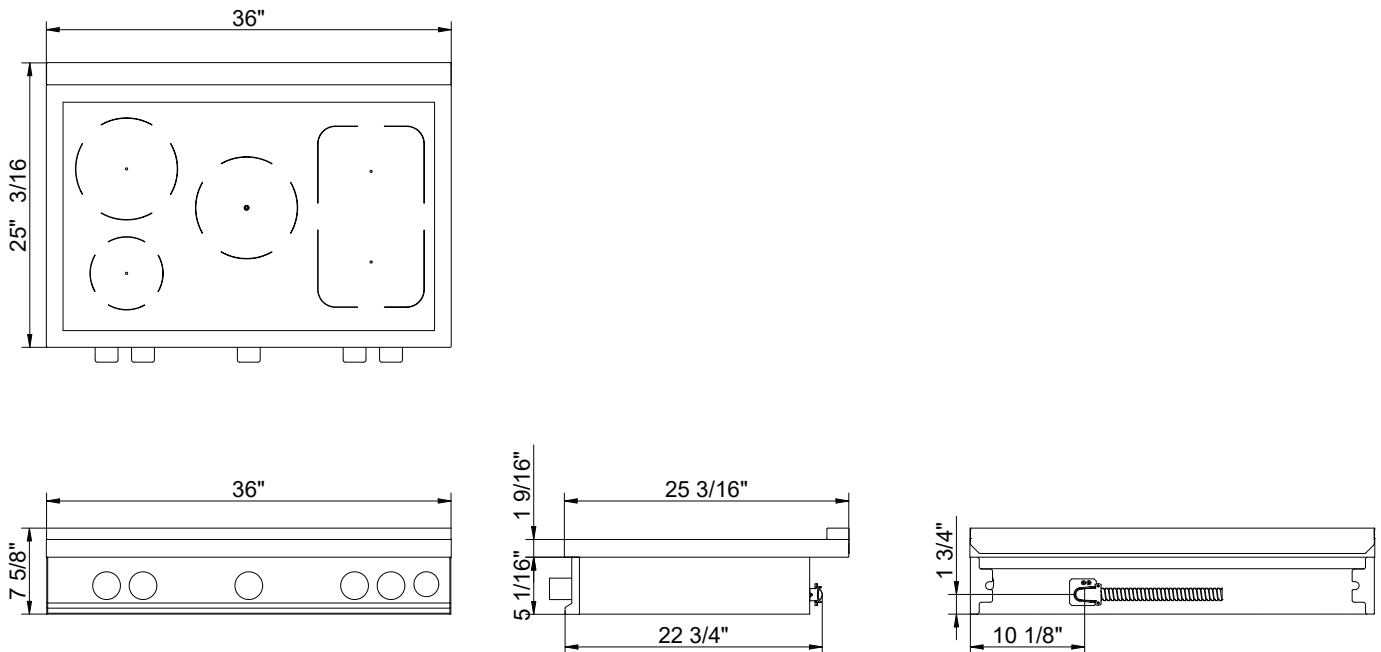
### Hood Placement:

- For best removal of smoke and odors, the lower edge of the hood should be installed between 25 1/2" (65 cm) and 31 1/2" (80 cm) above the range cooking surface.
- If the hood contains any combustible materials (i.e. a wood covering), it must be installed at a minimum of 36" (914 mm) above the cooking surface.

### Consider Make-Up Air:

Due to the high volume of ventilation air, a source of outside replacement air is recommended. This is particularly important for tightly sealed and insulated homes. A qualified heating and ventilating contractor should be consulted.

## SPECIFICATIONS



### **Cabinet Preparation**

1. To ensure professional results, the cabinet and countertop openings should be prepared by a qualified cabinet worker.

2. The clearances shown in figure are required.

3. The electrical supply must be located in an area that is accessible without requiring removal of the cooktop. The appliance electrical power cord is located on the left rear.

- Prepare the finished opening for the rangetop according to dimensions shown in the illustration on the follows page.
- The platform must include a cut-out at the right rear for electrical supply connection. It must be level to ensure the cooking surface is level. Refer to the chart below for minimum base support.

#### **BASE SUPPORT MIN**

36" rangetop 250 lb (113 kg)

### **WARNING**

To prevent possible damage to cabinets and cabinet finishes, use only materials and finishes that will not discolor or delaminate and will withstand temperatures up to 230°F (110°C). Heat resistant adhesive must be used if the product is to be installed in laminated cabinetry. Check with your builder or cabinet supplier to make sure that the materials meet these requirements.



## CLEARANCES DIMENSIONS

### Installation adjacent to kitchen cabinets

This range may be installed directly adjacent to existing countertop high cabinets (36" or 91.5 cm from the floor).

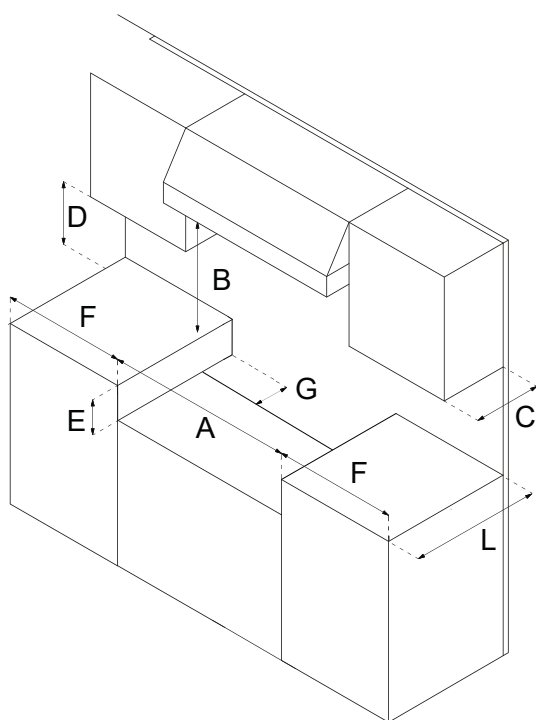
For the best look, the worktop should be level with the cabinet countertop. This can be accomplished by raising the unit using the adjustment spindles on the legs.

**ATTENTION:** the rangetop CANNOT be installed directly adjacent to kitchen walls, tall cabinets, tall appliances, or other vertical surfaces above 36" (91.4 cm) high. The minimum side clearance in such cases is 6" (15.2 cm).

Wall cabinets with minimum side clearance must be installed 18" (45.7 cm) above the countertop with countertop height between 35 1/2" (90.2 cm) and 37 1/4" (94.6 cm). The maximum depth of wall cabinets above the rangetop shall be 13" (33.0 cm).

### Cabinet

A	36" (91,5 cm) or 48" (122 cm)
B	30" (76,3 cm) hood with combustible materials
B	25" 1/2 (65 cm) hood with uncombustible materials
C	13" (33,0 cm)
D	18" (45,7 cm)
E	6" 5/8(16,8 cm)
F	6" (15,2 cm)
G	min 3" 7/16 max 5" 3/16 (min 8,7cm max 13 cm)
L	25" 3/16(64 cm)

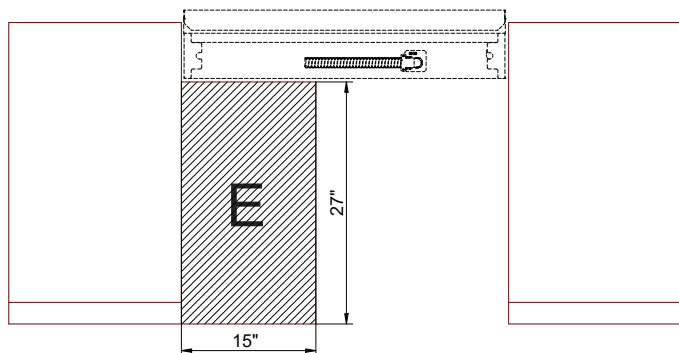
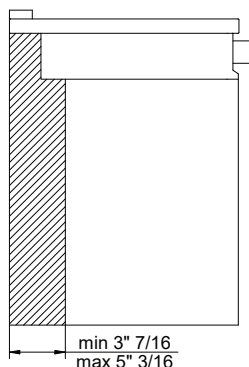



## INSTALLATION REQUIREMENTS

### ELECTRICAL

A properly-grounded horizontally- mounted electrical receptacle should be installed no higher than 27" (68.6 cm) above the floor, no less than 2" (5 cm) and no more than 15" (38,1 cm) from the left side (facing product).

Check all local code requirements.



 installation area for the connection

## ELECTRICAL CONNECTION

### Warning!

#### ELECTRICAL SHOCK HAZARD

**Disconnect electrical power at the circuit breaker box or fuse box before installing the appliance.**

**Provide appropriate ground for the appliance. Use copper conductors only.**

**Failure to follow these instructions could result in serious injury or death.**

### Warning!

#### Electrical grounding

This appliance is equipped with a 4 ft (1.2 m) flexible metal cable with 3 wires ready for connection to a dedicated 2 pole, 3 wires grounded power supply.

The appliance shall be connected to an electric line rated at 208Vac or 240Vac and 60Hz frequency.

Voltage	Appliance rating	Electrical supply
208V	10000W 44A	50A
240V	11500W 44A	50A

#### 3 Wires connection:

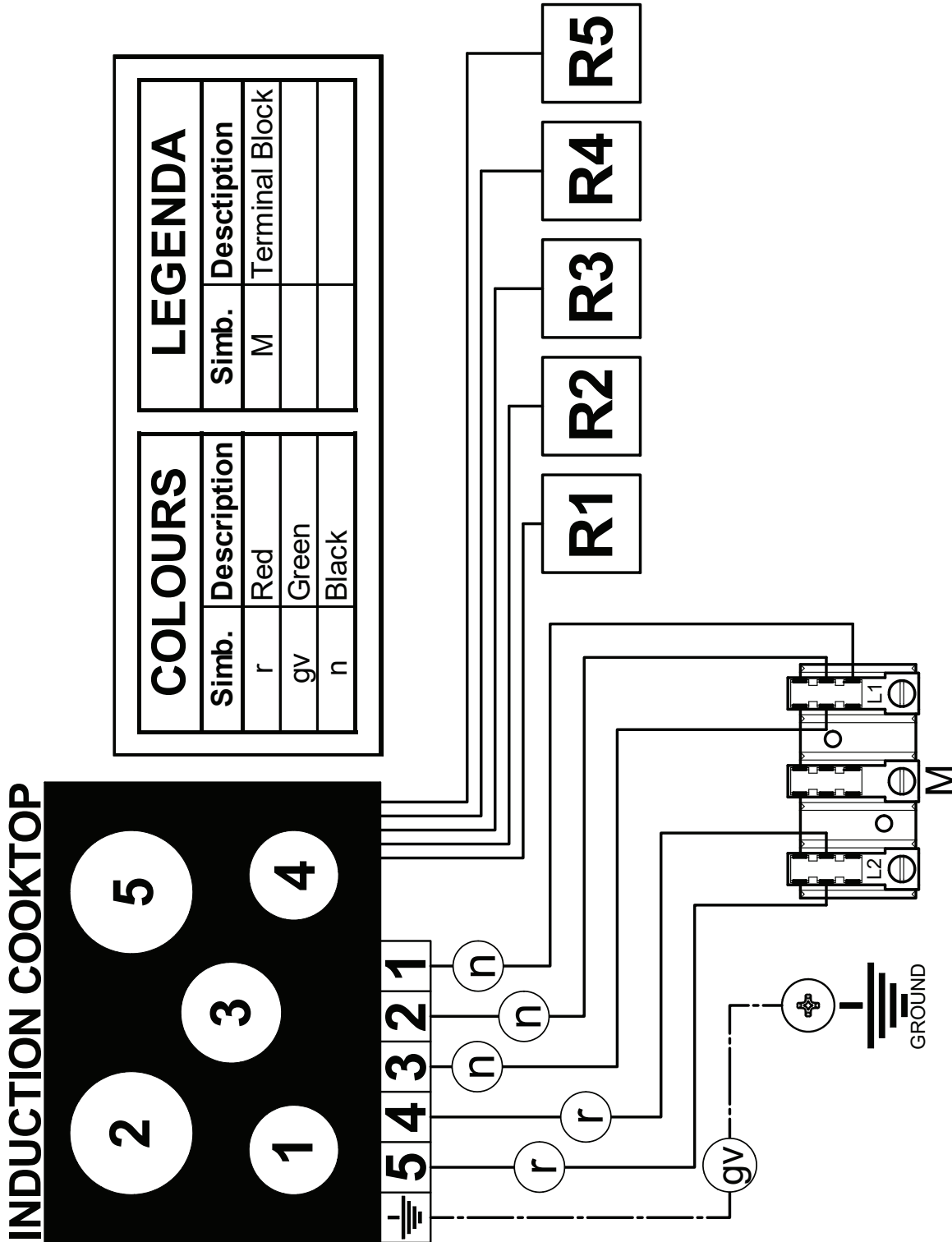
- Connect the L1 receptacle terminal to the incoming BLACK electrical supply wire (L1-hot wire)
- Connect the L2 receptacle terminal to the incoming RED electrical supply wire (L2-hot wire)
- Connect the GROUND receptacle terminal to the incoming GROUND (GREEN) electrical supply wire

### Caution

**Label all wires prior to disconnecting when servicing controls. Wiring errors can cause improper and dangerous operation. Verify proper operation after servicing.**

## WIRING DIAGRAM

The electric wiring diagrams and schematics are attached behind the rangetop, and should not be removed except by a service technician, then replaced after service.



## INSTALLATION

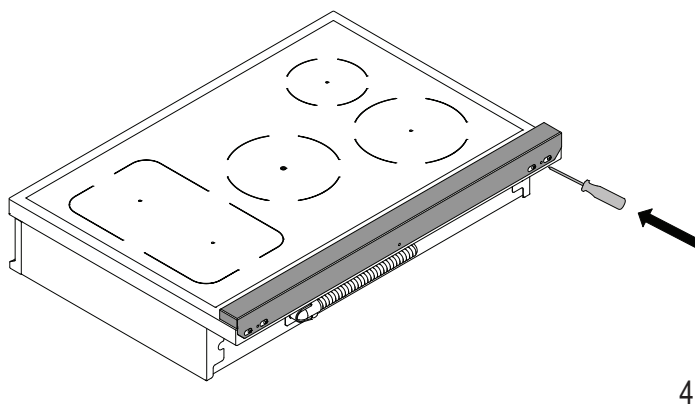
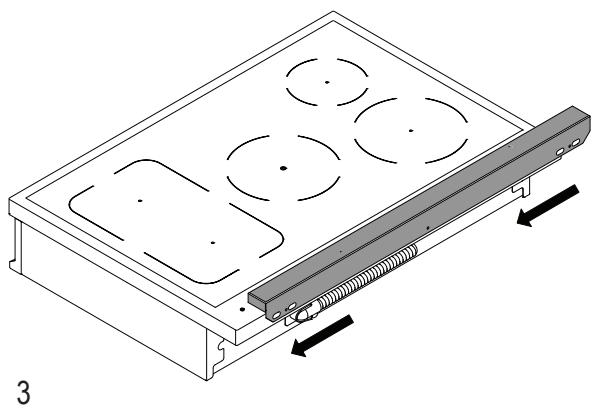
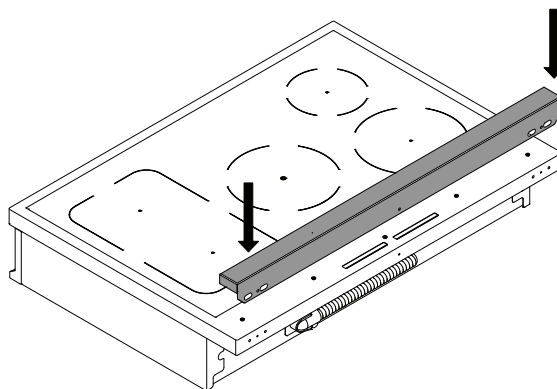
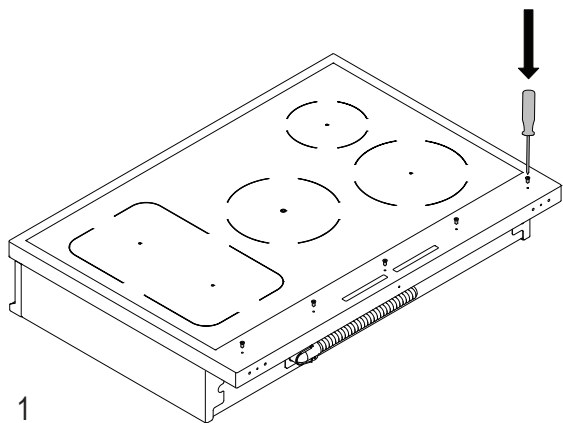
### APPLIANCE INSTALLATION

#### Unpacking the rangetop

- Remove all packing materials from the shipping pallet but leave the adhesive-backed foam layer over brushed-metal surfaces to protect it from scratches until the range is installed in its final position. Only the film on the side panels should be removed before inserting the rangetop between the cabinets.
- Examine the appliance after unpacking it. In the event of transport damage, do not plug it. Take pictures of the damage and report it immediately to the freight forwarder.
- The grates, griddle plate, burner caps, and oven racks should be removed to facilitate handling.
-

### INSTALLING THE ISLAND TRIM

The island trim is only placed on the cooktop, remove all tape and packaging before installing it.



## INSTALLATION CHECKLIST

A qualified installer should carry out the following checks:

- Island trim or Backguard attached according to instruction
- Clearance to cabinet surfaces as manufacturer's guideline
- Proper ground connection

## FINAL PREPARATION

- Before using the rangetop, remove any protective wrap from the stainless steel.
- All stainless steel body parts should be wiped with hot, soapy water and with a liquid stainless steel cleanser.
- If buildup occurs, do not use steel wool, abrasive cloths, cleaners, or powders!
- If it is necessary to scrape stainless steel to remove encrusted materials, soak with hot, wet cloths to loosen the material, then use a wood or nylon scraper.
- Do not use a metal knife, spatula, or any other metal tool to scrape stainless steel! Scratches are almost impossible to remove..

## BERTAZZONI SERVICE

Bertazzoni is committed to providing the best customer and product service. We have a dedicated team of trained professionals to answer your needs.

If you own a Bertazzoni appliance and need service in the US or Canada please use the following contact information:

Telephone - Monday through Friday,  
7.30am to 7.30pm EST (except US public holidays).

If located in the USA  
866 905 0010  
<https://us.bertazzoni.com/more/support>

If located in CANADA  
800 561 7265  
<https://ca.bertazzoni.com/more/support>

Make sure to keep the following information on hand. Our customer service team will require it to open a service ticket or troubleshoot.

Purchase Date

Model\*

Production Date/Serial Number \*

\*Can be found on data plate

# **BERTAZZONI USER MANUAL**

## **INDUCTION RANGETOP**

## IMPORTANT INSTRUCTION

### WARNINGS

Warning and Important Safety Instructions appearing in this manual are not meant to cover all possible conditions and situations that may occur. Common sense, caution, and care must be exercised when installing, maintaining, or operating the appliance.

**Read and follow all instructions before using this appliance to prevent the potential risk of fire, electric shock, personal injury or damage to the appliance as a result of improper usage of the appliance. Use appliance only for its intended purpose as described in this manual.**

Save this Manual for local electrical inspector's use. Read and save these instructions for future reference. Observe all governing codes, ordinances and regulations.

#### **WARNING!**

If the information in these instructions is not followed exactly, a fire or explosion may result causing property damage, personal injury or death.

- Do not store or use gasoline or other flammable vapors and liquid in the vicinity of this or any other appliance.
- Installation and service must be performed by a qualified installer:

To ensure proper and safe operation: Appliance must be properly installed and grounded by a qualified technician. DO NOT attempt to adjust, repair, service, or replace any part of your appliance unless it is specifically recommended in this manual. All other servicing should be referred to a qualified servicer.

#### **To Prevent Fire or Smoke Damage**

- Be sure all packing materials are removed from the appliance before operating it.
- Never let clothing, potholders, or other flammable materials come in contact with or too close to any element, top burner or burner grate until it has cooled.
- If appliance is installed near a window, proper precautions should be taken to prevent curtains from blowing over burners.
- Never leave any items on the cooktop. The hot air from the vent may ignite flammable items and may increase pressure in closed containers which may cause them to burst.
- Many aerosol-type spray cans are EXPLOSIVE

when exposed to heat and may be highly flammable. Avoid their use or storage near an appliance.

- Flammable materials should not be stored in an oven or near surface units.

#### **In Case of Fire**

Turn off appliance and ventilation hood to avoid spreading the flame. Extinguish flame then turn on hood to remove smoke and odor.

- Cooktop: Smother fire or flame in a pan with a lid or cookie sheet.
- NEVER pick up or move a flaming pan.
- Do Not Use Water on Grease Fires - Smother fire or flame or use dry chemical or foam-type extinguisher.

#### **Child Safety**

- NEVER leave children alone or unsupervised near the appliance when it is in use or is still hot.
- NEVER allow children to sit or stand on any part of the appliance as they could be injured or burned.
- CAUTION do not store items of interest to children in cabinets above the rangetop or on the backguard of the rangetop. Children climbing on the rangetop to reach those items could be seriously injured.

#### **Cooking Safety**

- Ensure that the kitchen is well-ventilated. Keep natural venting holes open or install a mechanical ventilation device. Prolonged or intensive use of the appliance may call for additional (such as opening a window) or more effective ventilation (such as increasing the level of a mechanical ventilation if present).
- To eliminate the hazard of reaching over hot surface burners, cabinet storage should not be provided directly above a unit. Temperatures may be unsafe for some items, such as volatile liquids, cleaners or aerosol sprays.
- ALWAYS place a pan on a surface burner before turning it on. Be sure you know which knob controls which surface burner.
- NEVER leave a surface cooking operation unattended especially when using a high heat setting or when deep fat frying. Boilovers cause smoking and greasy spillovers may ignite. Clean up greasy spills as soon as possible. DO NOT use high heat for extended cooking operations.



- DO NOT heat unopened food containers, build up of pressure may cause the container to explode and result in injury.
- NEVER wear garments made of flammable material or loose fitting or long-sleeved apparel while cooking. Clothing may ignite or catch utensil handles.
- Use Only Dry Potholders - Moist or damp potholders on hot surfaces may result in burns from steam. Do not let potholder touch hot heating elements. Do not use a towel or other bulky cloth.
- Never Leave Surface Units Unattended at High Heat Settings -Boilover causes smoking and greasy spillovers that may ignite.
- Make Sure Reflector Pans or Drip Bowls Are in Place - Absence of these pans or bowls during cooking may subject wiring or components underneath to damage.
- Protective Liners - Do not use aluminum foil to line surface unit drip bowls or oven bottoms, except as suggested in the manual. Improper installation of these liners may result in a risk of electric shock, or fire.
- Glazed Cooking Utensils - Only certain types of glass, glass/ceramic, ceramic, earthenware, or other glazed utensils are suitable for range-top service without breaking due to the sudden change in temperature.
- Utensil Handles Should Be Turned Inward and Not Extend Over Adjacent Surface Units - To reduce the risk of burns, ignition of flammable materials, and spillage due to unintentional contact with the utensil, the handle of a utensil should be positioned so that it is turned inward, and does not extend over adjacent surface units.
- Do Not Cook on Broken Cook-Top - If cook-top should break, cleaning solutions and spillovers may penetrate the broken cook-top and create a risk of electric shock. Contact a qualified technician immediately.
- Do not place metallic objects such as knives, forks, spoons and lids on the cooktop surface since they can get hot.
- DO NOT TOUCH SURFACE UNITS OR AREAS NEAR UNITS - Surface units may be hot even though they are dark in color. Areas near surface units may become hot enough to cause burns. During and after use, do not touch, or let clothing or other flammable materials contact surface units or areas near units until they have had sufficient time to cool. Among these areas are (identification of areas - for example,

the cook-top and surfaces facing the cook-top).

Do not connect any appliances to the plugs above or near to the induction cooktop; connection cable insulation can melt if in contact with heat, and this may result in an injury and a property damage.

### Recommended Utensils

- Use pans with flat bottoms and handles that are easily grasped and stay cool. Avoid using unstable, warped, easily tipped or loose-handled pans. Also avoid using pans, especially small pans, with heavy handles as they could be unstable and easily tip. Pans that are heavy to move when filled with food may also be hazardous.
- NEVER let a pan boil dry as this could damage the utensil and the appliance.
- Follow the manufacturer's directions when using oven cooking bags.
- Only certain types of glass, glass/ceramic, ceramic or glazed utensils are suitable for rangetop surface or oven usage without breaking due to the sudden change in temperature. Follow manufacturer's instructions when using glass.
- Bakeware, such as large casserole pans, cookie sheets, etc. should never be used on the rangetop.
- Placement of large stock pots should be staggered when used on the rangetop.
- Use Proper Pan Size - This appliance is equipped with one or more surface units of different size. Select utensils having flat bottoms large enough to cover the surface unit heating element. The use of undersized utensils will expose a portion of the heating element to direct contact and may result in ignition of clothing. Proper relationship of utensil to burner will also improve efficiency.

## WARNINGS

### Cleaning Safety

- Turn off all controls and wait for appliance parts to cool before touching or cleaning them. DO NOT touch the induction areas until they have had sufficient time to cool.
- Clean the range with caution. Avoid steam burns; DO NOT use a wet sponge or cloth to clean the range while it is hot. Some cleaners produce noxious fumes if applied to a hot surface. Follow directions provided by the cleaner manufacturer.
- Clean Cook-Top With Caution - If a wet sponge or cloth is used to wipe spills on a hot cooking area, be careful to avoid steam burn. Some cleaners can produce noxious fumes if applied to a hot surface.

### WARNING!

Never use this appliance as a space heater to heat or warm the room. Doing so may result in carbon monoxide poisoning and overheating of the oven.

### Room ventilation

An exhaust fan may be used with the appliance; in each case it shall be installed in conformity with the appropriate national and local standards. Exhaust hood operation may affect other vented appliances; in each case it shall be installed in conformity with the appropriate national and local standards.

### Electrical shock hazard

Make sure all controls are OFF before cleaning. Failure to do so can result in burns or electrical shock.

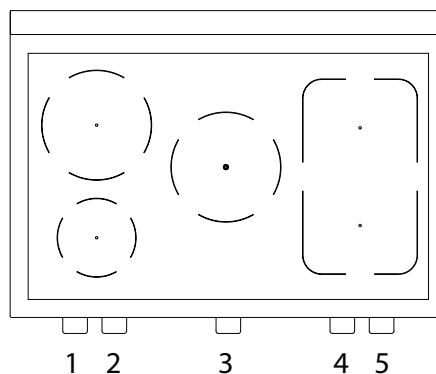
### WARNING:

Cancer and Reproductive Harm-  
[www.P65Warnings.ca.gov](http://www.P65Warnings.ca.gov).

## WORKTOP AND KNOBS LAYOUT

### Heating element

- |   |                               |
|---|-------------------------------|
| 1 | Left front induction element  |
| 2 | Left rear induction element   |
| 3 | Central induction element     |
| 4 | Right front induction element |
| 5 | Right rear induction element  |



## INDUCTION COOKTOP

### COOKING WITH INDUCTION

Underneath each cooking zone there is a coil called an inductor. The inductor generates a variable magnetic field using electric power. When a pan is placed inside this magnetic field, the high-frequency current radiates directly on the bottom of the pan and produce the heat needed to cook.

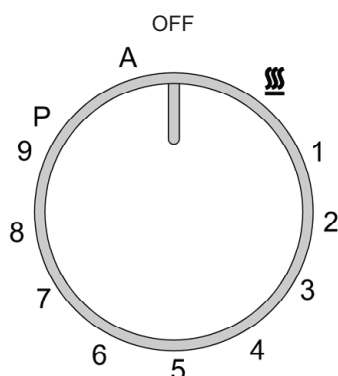
After use the display can show the symbol 'H' if there is residual heat. The symbol 'H' go out when the temperature drops to below about 140°F/60° C.

### TURNING ON THE INDUCTION ELEMENT

The symbol above each knob indicates which element that knob controls.

The operation power is regulated through the knob and is shown by a display on the cooktop surface.

To turn on the heating zone, press in the control knob (Fig.14A-14B) and turn it clockwise. Settings range from a minimum of 1 to a maximum of 9.



### USING SPECIAL FUNCTIONS

#### A - Heating Accelerator mode.

The Heating Accelerator mode allows each zone to be operated at peak power for a time proportional to the heating power selected.

- Turn the knob anti-clockwise, select setting "A" and then release. The letter "A" will appear on the display on the cooktop area
- After 3 seconds, you may select the heating setting of your choice. Once a setting between 1 and 9 has been selected, "A" and the chosen setting will flash in sequence on the display.

While the heating accelerator is in operation, the heating level can be increased at any time. The "full power" time will be modified accordingly. If the power is reduced by turning the knob anticlockwi-

se, option "A" is automatically deactivated.

#### P - Power Mode.

The power mode allows the user to operate each heating zone continuously at the maximum power for a time of no more than 10 minutes. This mode can be used to bring a large amount of water to the boil in a hurry, or to turn up the heat under meat.

- Turn the knob clockwise and set heating level to 9, then use the knob to set the "P" position and release it.
- The symbol "P" will appear on the corresponding zone display.
- After 10 minutes, the power will be reduced automatically to 9 and the "P" will disappear.

The power mode can be turned off at any time by reducing the heating level. If a pan is removed from the cooking zone while the power function is on, the function is switched off.



#### - Holding Mode.

The holding mode keeps the temperature of the bottoms of pans at about 160°F/70°C. This allows foods to be heated gently and kept hot with optimal energy consumption. Holding mode can be kept in operation for up to 2 hours.

The holding mode is  and is indicated by the relevant symbol on the cooking zones.

#### □ - Bridge Mode.

The bridge mode allows to use the 2 right-side cooking zones as a single cooking zone. Power Mode is not allowed when the zones are operated in Bridge mode.

- Rotate both knobs, rear right and front right, at the same time in the P position and keep the knobs in that position.
- The □ symbol will blink in the display, then return to the power level.
- To control the bridge power level, use the knob 4 (front right zone). If you turn knob 3 (rear right zone) the display shows a horizontal segment and the bridge function ends.

## L - Fonction « Child lock » (sécurité enfants)

En cas d'inutilisation, la surface de cuisson peut être « verrouillée » pour éviter que des enfants ne l'allument accidentellement.

Avec les zones de cuisson éteintes, tourner simultanément les boutons des zones 1 et 2 sur la gauche, jusqu'à ce que la lettre « L » apparaisse sur l'affichage, puis relâcher les boutons.

Pour la désactiver, répéter la même procédure : le « L » disparaîtra de l'affichage de la zone de cuisson, indiquant que la fonction « LOCK » (verrouillage) de la zone de cuisson a été désactivée.

## U - Détection récipient de cuisson

Chaque zone de cuisson est équipée d'un dispositif de « détection de récipient », qui empêche l'allumage de la zone de cuisson tant qu'un récipient de cuisson adapté n'a pas été correctement positionné sur celle-ci.

Si l'utilisateur tente d'allumer la zone de cuisson avec un récipient de cuisson mal positionné ou constitué d'un matériau inadapté, le symbole U apparaîtra quelques secondes après l'allumage de la zone afin de signaler la présence d'une anomalie.

## H - Chaleur résiduelle.

Chaque zone de cuisson est équipée d'un dispositif signalant la chaleur résiduelle. Après l'extinction d'une zone de cuisson, un « H » clignotant peut s'afficher, signalant que la zone de cuisson est toujours très chaude.

La cuisson peut être relancée même lorsque la lettre « H » clignote.

## RÉCIPIENTS DE CUISSON ADAPTÉS À L'INDUCTION

La technologie à induction nécessite des batteries de cuisine en fer ou en acier magnétique afin de générer le champ magnétique nécessaire au processus de chauffage.

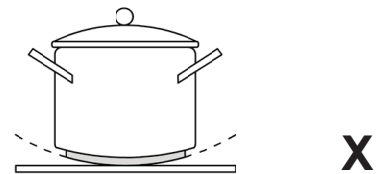
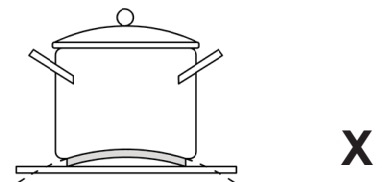
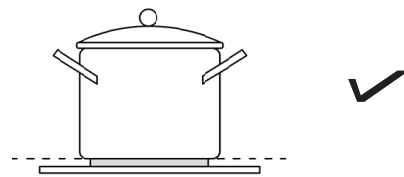
Les batteries de cuisine en verre, en porcelaine, en céramique ou en aluminium ne fonctionneront pas sur une table de cuisson à induction.

Les récipients en verre, porcelaine, céramique Les récipients en verre, porcelaine, céramique ne sont pas adaptés. Les récipients en acier, aluminium ou cuivre sans fond magnétique ne conviennent pas non plus.

Le plus souvent, la compatibilité avec l'induction est indiquée sur le récipient de cuisson. Pour

vérifier qu'un récipient est adapté, approcher simplement un aimant de son fond : si l'aimant se colle au fond du récipient, il est adapté à la cuisson à induction. En l'absence d'aimant, verser une petite quantité d'eau dans le récipient de cuisson, le placer sur une zone de cuisson et l'allumer. Si le symbole U s'affiche, le récipient de cuisson n'est pas adapté.

Utiliser uniquement des récipients spécialement conçus pour l'induction, dotés d'un fond épais complètement plat. Si aucun récipient de ce type n'est disponible, les récipients ne doivent pas présenter de fond arrondi (concave ou convexe).



Les casseroles qui ne sont pas complètement plates et dont le fond est en retrait laissent un intervalle d'air entre la casserole et la table de cuisson, ce qui pendant le fonctionnement peut atteindre des températures très élevées pouvant endommager le dessus et les inducteurs situés sous le verre.

Pour un fonctionnement optimal, un diamètre minimum est indispensable. Des récipients de cuisson plus larges que la zone de cuisson peuvent être utilisés. S'assurer dans ce cas que le fond ne touche pas d'autres zones de cuisson et qu'il est toujours centré sur l'inducteur.

## BRUIT EN FONCTIONNEMENT

Un bourdonnement ou un bourdonnement pendant le fonctionnement est normal et son intensité peut varier selon les types de batterie de cuisine.

Il est normal d'entendre un bruit de ventilateur après avoir éteint la table de cuisson à induction

## DIMENSIONS DE LA ZONE D'INDUCTION

Brûleur	Diam. (mm)	Diam. récipient de cuisson	Utilisation
Auxiliaire	Ø 50 mm		À utiliser avec des récipients de cuisson plus petits pour faire cuire à l'eau ou mijoter et pour la préparation de sauces.
Semi-rapide (et grill)	Ø 70 mm		À utiliser avec des récipients de cuisson de moyenne et petite taille pour des fritures normales ou des cuissons à l'eau.
Rapide	Ø 95 mm		À utiliser avec des récipients de moyenne et grande taille pour frire ou obtenir une ébullition rapide.
Double interne/externe	Ø 43/140 mm		À utiliser avec des woks, des grills et des poêles à frire, ou avec des récipients de cuisson de grande taille pour obtenir une ébullition rapide.

## RECOMMANDATIONS

- Toujours positionner le récipient de cuisson de sorte qu'il soit centré sur l'élément chauffant.
- Soulever le récipient de cuisson pour le déplacer. Ne pas le faire glisser et éviter tout frottement excessif sur la surface en verre car cela pourrait la rayer.
- Ne jamais laisser de récipient de cuisson vide sur un élément chauffant, même si celui-ci est éteint.
- La puissance maximale ne doit être utilisée que pour frire ou porter un liquide à ébullition.
- Éviter de chauffer les récipients de cuisson antiadhésifs (par ex. composés d'un revêtement en téflon) au maximum.
- Éviter de ranger des objets solides et lourds dans un placard situé au-dessus de la surface de cuisson. Ils pourraient tomber accidentellement et endommager la surface en verre.
- **Faire très attention à éviter les déversements de sucre ou de mélanges sucrés sur la surface de cuisson pendant son utilisation, et éviter d'utiliser des matériaux ou substances susceptibles de fondre (plastique ou feuille d'aluminium). Si cela venait à arriver, éteindre immédiatement la surface de cuisson et la nettoyer avec la raclette fournie tant que la zone de cuisson est chaude. Si la surface n'est pas nettoyée immédiatement, des résidus impossibles à éliminer une fois la zone de cuisson refroidie sont susceptibles de se former.**

## KEEPING YOUR BERTAZZONI CLEAN

### **Burn hazard**

Make sure the heating elements are turned off and allowed to cool completely before any cleaning and/or maintenance operation.

### **Things to avoid:**

- Do not use a steam cleaner to clean the rangetop: the steam could reach electrical components and cause a short.
- Do not spray liquids such as cleaning agents into the openings on the bottom and top of the oven cavity.
- All surfaces can discolor or be damaged if unsuitable cleaning agents are used.

### **Cleaning stainless steel**

All stainless steel parts should be wiped with hot water and soap solution at the end of each cycle. Wipe up spills and boilovers immediately. Use suitable, non-abrasive stainless cleaning products when water and soap solution will not do the job. *DO NOT use steel wool, abrasive cloths, cleansers, or powders.* If necessary, scrape stainless steel to remove encrusted materials, soak the area with hot towels to soften the residue, then use a wooden or nylon spatula or scraper. *DO NOT use a metal knife, spatula, or any other metal tool to scrape stainless steel.* DO NOT permit citrus or tomato juice to remain on stainless steel surface, as citric acid will permanently discolor stainless steel.

### **Cleaning painted surfaces**

Clean with a soft cloth, warm water and non-abrasive dishwashing liquid. Whilst still damp, polish dry with a clean soft cloth.

### **Cleaning the induction cooktop**

Allow the glass to cool down until the residual heat indicator is off before cleaning. Never use scouring powders or paste, metal scourers, oven cleaners or any abrasive cleaning products on the hotplate. Clean spillovers before using the cooktop again. For light cleaning, wipe with a soft cloth, warm water and dishwashing liquid. For a streak free finish, polish dry with an microfibre cloth. For more stubborn marks and to condition the surface, use a good quality cooktop cleaner/conditioner, following the manufacturer's instructions. For spillages with high sugar content such as jam, or the accidental melting of plastic or alloy materials, turn off the heating zone and remove the spillage immediately.

Use caution because the heating area maybe very hot.

## **TROUBLESHOOTING**

You are also welcome to call our toll free Customer Service line to troubleshoot any issue with your Bertazzoni:

If located in the USA

866 905 0010

<https://us.bertazzoni.com/more/support>

If located in CANADA

800 561 7265

<https://ca.bertazzoni.com/more/support>

Make sure to keep the following information on hand. Our customer service team will require it to open a service ticket or troubleshoot.

Purchase Date

Model\*

Production Date/Serial Number \*

\*Can be found on data plate

**T**Please kindly register on our web site [www.bertazzoni.com](http://www.bertazzoni.com) to validate your new product warranty and help us to assist you better in case of any inconvenience.

## TWO YEAR LIMITED WARRANTY STATEMENT

### WHAT THIS LIMITED WARRANTY COVERS:

The Warranty coverage provided by Bertazzoni SpA (“Bertazzoni”) in this statement applies exclusively to the original Bertazzoni appliance (“Product”) sold to the consumer (“Purchaser”) by an authorized Bertazzoni dealer/distributor/retailer, purchased and installed in the United States, District of Columbia, or Canada which has always remained within the country of original purchase (United States, District of Columbia, or Canada). Warranty coverage is activated on the date of original retail purchase of the Product and has a duration of **two(2)** years.

Warranty coverage is non-transferrable.

In the event of parts replacement or entire product replacement, the replacement Product (or parts) shall assume the remaining original Warranty activated with original retail purchase document. This Warranty shall not be extended with respect to such replacement.

Bertazzoni SpA will repair or replace any component/part which fails or proves defective due to materials and/or workmanship within 2 years from the date of original retail purchase and under conditions of normal residential, non-commercial use. Repair or replacement will be free of charge, including labor at standard rates and shipping expenses. Purchaser is responsible for making the Product reasonably accessible for service. Repair service must be performed by a Bertazzoni Authorized Service company during normal working hours. Labor performed at overtime or premium rates shall not be covered by Warranty.



**IMPORTANT: retain proof of original purchase to establish warranty period.**

Bertazzoni’s liability on any claim of any kind, with respect to the goods and/or services provided, shall in no event exceed the value of the goods or service or part thereof which gives origin to the claim.

### 30 Day Cosmetic warranty

Inspection of the product must be made by Purchaser at time of delivery.

Bertazzoni warrants that the Product is free from manufacturing defects in materials and workmanship for a period of thirty (30) days from date of original retail purchase of the Product.

This coverage includes:

- Paint blemishes
- Chips
- Macroscopic finish defects

Cosmetic warranty does NOT cover:

- issues resulting from incorrect transport, handling and/or installation (i.e: dents, broken, bowed or deformed structures or components, shattered glass components)
- slight color variations in painted/enameled components
- differences caused by natural or artificial lighting, location or other analogous factors.
- Stains/corrosion/discoloration caused by external substances and/or environmental factors
- **labor costs, display, floor, B-stock, out-of-box, “as is” appliances and demo units.**

### HOW TO OBTAIN SERVICE

To receive warranty service, the Purchaser must contact Bertazzoni Service for problem determination and correct service procedures.

Model number, serial number and date of original retail purchase will be requested.



**IMPORTANT: retain proof of original purchase to establish warranty period.**

If located in the USA  
866 905 0010

<https://us.bertazzoni.com/more/support>

If located in CANADA  
800 561 7265

<https://ca.bertazzoni.com/more/support>



## WARRANTY EXCLUSIONS – WHAT IS NOT COVERED

- Use of the Product in any non-residential, commercial application
- Use of the Product for anything other than its intended scope
- Repair service provided by other than a Bertazzoni authorized service agency.
- Damage or repair service to correct service provided by an unauthorized agency or the use of unauthorized parts.
- Installation not in accordance with local/state/city/county fire codes, electrical codes, plumbing codes, building codes, regulations, or laws.
- Defects or damage due to improper storage of the Product.
- Defects or damage or missing parts on products sold out of the original factory packaging or from displays.
- Service calls or repairs to correct the incorrect installation of the product and/or related accessories.
- Replacement of parts/service calls to connect, convert or otherwise re- pair the electrical wiring to properly use the product.
- Replacement of parts/service calls to provide instructions and education on the use the Product.
- Replacement of parts/service calls to correct issues due to product usage in manner other than what is normal and customary for residential use.
- Replacement of parts/service calls due to wear and tear such as gaskets, knobs, pan supports, shelving, cutlery baskets, buttons, touch displays, scratched or broken ceramic glass tops
- Replacement of parts/service calls for lack of/ improper maintenance such as but not limited to: residue build up, stains, scratches, discoloration, corrosion
- Replacement of glass components and light bulbs if claim arises after 30 days from original retail purchase date.
- Defects and damages arising from accidents, alteration, misuse, abuse, improper installation.
- Defects and damages arising from transport, logistics and handling of the Product. Inspection of the product must be made at time of delivery. Any issues from handling, transport and logistics must be notified to selling dealer/delivery company after receipt and inspection.
- Defects and damage arising from external

forces beyond the control of Bertazzoni SpA including but not limited to wind, rain, sand, fires, floods, mud slides, freezing temperatures, excessive moisture or extended exposure to humidity, power surges, lightning, structural failures surrounding the appliance and other acts of God.

- Products with altered/damaged/tampered serial number.

In no case shall Bertazzoni be liable or responsible for damage to surrounding property, including furniture, cabinetry, flooring, panels and other structures surrounding the Product.

Bertazzoni is not liable nor responsible for the Product if located in a remote area or an area where certified trained technicians are not reasonably available. Purchaser must bear any transportation and delivery costs of the Product to the nearest authorized Service center or for the additional displacement rates of a certified trained technician.

THERE ARE NO EXPRESS WARRANTIES OTHER THAN THOSE LISTED AND DESCRIBED ABOVE, AND NO WARRANTIES WHETHER EXPRESS OR IMPLIED, INCLUDING, BUT NOT LIMITED TO, ANY IMPLIED WARRANTIES OF MERCHANTABILITY OR FITNESS FOR A PARTICULAR PURPOSE, SHALL APPLY AFTER THE EXPRESS WARRANTY PERIODS STATED ABOVE, AND NO OTHER EXPRESS WARRANTY OR GUARANTEE GIVEN BY ANY PERSON, FIRM OR CORPORATION WITH RESPECT TO THIS PRODUCT SHALL BE BINDING ON BERTAZZONI. BERTAZZONI SHALL NOT BE LIABLE FOR LOSS OF REVENUE OR PROFITS, FAILURE TO REALIZE SAVINGS OR OTHER BENEFITS, TIME AWAY FROM WORK, MEALS, LOSS OF FOOD OR BEVERAGES, TRAVELING OR HOTEL EXPENSES, EXPENSES TO RENT OR PURCHASE APPLIANCES, REMODELLING/ CONSTRUCTION EXPENSES IN EXCESS OF DIRECT DAMAGES WHICH ARE DEFINITELY CAUSED EXCLUSIVELY BY BERTAZZONI, OR ANY OTHER SPECIAL, INCIDENTAL OR CONSEQUENTIAL DAMAGES CAUSED BY THE USE, MISUSE OR INABILITY TO USE THIS PRODUCT, REGARDLESS OF THE LEGAL THEORY ON WHICH THE CLAIM IS BASED, AND EVEN IF BERTAZZONI HAS BEEN ADVISED OF THE POSSIBILITY OF SUCH DAMAGES. NOR SHALL RECOVERY OF ANY KIND AGAINST BERTAZZONI BE GREATER IN

AMOUNT THAN THE PURCHASE PRICE OF THE PRODUCT SOLD BY BERTAZZONI AND CAUSING THE ALLEGED DAMAGE. WITHOUT LIMITING THE FOREGOING, PURCHASER ASSUMES ALL RISK AND LIABILITY FOR LOSS, DAMAGE OR INJURY TO PURCHASER AND PURCHASER'S PROPERTY AND TO OTHERS AND THEIR PROPERTY ARISING OUT OF THE USE, MISUSE OR INABILITY TO USE THIS PRODUCT SOLD BY BERTAZZONI NOT CAUSED DIRECTLY BY THE NEGLIGENCE OF BERTAZZONI. THIS LIMITED WARRANTY SHALL NOT EXTEND TO ANYONE OTHER THAN THE ORIGINAL PURCHASER OF THIS PRODUCT, IS NON-TRANSFERABLE AND STATES YOUR EXCLUSIVE REMEDY.

**Bertazzoni does not assume any responsibility for incidental or consequential damages.**

Some states do not allow the exclusion or limitation of incidental or consequential damages, so the above limitation or exclusion may not apply to you. This warranty gives you specific legal rights and you may also have other rights which may vary from state to state or province to province.

**Any questions about this Limited Warranty may be directed to Bertazzoni Customer Care**

If located in the USA:

866 905 0010

<https://us.bertazzoni.com/more/support>

If located in CANADA:

800 561 7265

<https://ca.bertazzoni.com/more/support>

OU INDIRECT CAUSÉ PAR L'UTILISATION, LA MAUVAISE UTILISATION OU L'INCAPACITÉ À UTILISER LE PRODUIT, SANS ÉGARD POUR LA NATURE JURIDIQUE DU DROIT REVENDIQUÉ, ET CELA MÊME SI BERTAZZONI A ÉTÉ INFORMÉE DE LA POSSIBILITÉ DE TELS DOMMAGES. AUCUN REMBOURSEMENT DEMANDÉ À BERTAZZONI NE POURRA ÊTRE SUPÉRIEUR AU PRIX D'ACHAT DU PRODUIT VENDU PAR BERTAZZONI AYANT CAUSÉ LES DOMMAGES EN QUESTION, SANS LIMITER LA PORTÉE DE CE QUI PRÉCÈDE, L'ACHETEUR ASSUME TOUTES LES RISQUES ET LA RESPONSABILITÉ EN CAS DE PERTES, DE DOMMAGES OU DE BLESSURES À L'ACHETEUR OU À SES BIENS, AINSI QU'ÀUX TIERCES PERSONNES OU À LEURS BIENS, CAUSÉS PAR L'UTILISATION, LA MAUVAISE UTILISATION OU L'INCAPACITÉ À UTILISER LE PRODUIT VENDU PAR BERTAZZONI, NON DIRECTEMENT CAUSÉS PAR LA NÉGLIGENCE DE BERTAZZONI. LA PRÉSENTE GARANTIE LIMITÉE NE S'ÉTEND À PERSONNE D'AUTRE QUE L'ACHETEUR ORIGINAL DE CE PRODUIT, ELLE N'EST PAS CESSIBLE ET REPRÉSENTE VOTRE UNIQUE RECOURS.

**Bertazzoni décline toute responsabilité en cas de dommages indirects ou consécutifs à l'utilisation du produit.** Certains états n'autorisent pas l'exclusion ou la limitation de responsabilité en cas de dommages indirects ou consécutifs ; par conséquent, la limitation ou l'exclusion susmentionnée pourrait ne pas s'appliquer à votre cas. La présente garantie vous confère des droits juridiques spécifiques. Vous pourriez également bénéficier d'autres droits, susceptibles de varier d'un état ou d'une province à l'autre.

**Pour toute question concernant la présente Garantie limitée, veuillez contacter le Service clients Bertazzoni :**

En cas d'installation aux États-Unis :

866 905 0010

<https://us.bertazzoni.com/more/support>

En cas d'installation au CANADA :

800 561 7265

<https://ca.bertazzoni.com/more/support>

## EXCLUSIONS DE GARANTIE - CE QUE LA GARANTIE NE COUVRE PAS

- Utilisation du Produit dans le cadre d'un usage non domestique, commercial.
- Utilisation du Produit différente de l'usage prévu.
- Les réparations assurées par un opérateur autre qu'une agence spécialisée autorisée par Bertazzoni.
- Les dommages ou réparations effectués afin de corriger une réparation réalisée par une société non autorisée ou l'utilisation de composants non autorisés.
- Installation non conforme à la réglementation en vigueur en matière de prévention des incendies, d'électricité, de plomberie et de construction.
- Les défauts ou dommages dus à un entreposage inapproprié du produit.
- Les défauts ou dommages ou pièces manquantes concernant des produits vendus sans leur emballage d'origine ou des produits de démonstration.
- Interventions ou réparations visant à rectifier la mauvaise installation du produit et/ou de ses accessoires.
- Remplacements de composants/interventions visant à raccorder, convertir ou réparer le câblage électrique afin d'utiliser correctement le produit.
- Remplacements de composants/interventions visant à fournir des instructions sur l'utilisation du Produit.
- Remplacements de composants/interventions visant à corriger des problèmes résultant d'une utilisation du produit autre qu'une utilisation normale et habituelle dans le cadre domestique.
- Remplacements de composants/interventions liés à l'usure comme les joints, les mollets, les supports de casserole, les clayettes, les paniers à couverts, les boutons, les touches de l'écran, les surfaces vitrocéramiques rayées ou cassées.
- Remplacements de composants/interventions liés à l'absence d'entretien ou à un entretien inapproprié, par exemple : accumulation de résidus, taches, rayures, décoloration, corrosion.
- Remplacements de composants en verre et d'ampoules plus de 30 jours après la date d'achat au détail d'origine.
- Les défauts et dommages résultant d'un accident, d'une modification, d'une mauvaise utilisation, d'un abus, d'une installation inappropriée.
- Défauts et dommages résultant du transport, de la logistique et de la manipulation du Produit. Le Produit doit être contrôlé au moment de la livraison. Tout problème lié à la manipulation, au

## IL N'EXISTE AUCUNE AUTRE GARANTIE

EXPLICITE QUE CELLES PRÉCÉDÉES, NI AUCUNE AUTRE GARANTIE EXPLICITE OU IMPLICITE, INCLUANT, MAIS SANS S'Y LIMITER, TOUTE GARANTIE IMPLICITE DE QUALITÉ MARCHANDE OU DE CONVENANCE À UNE FIN PARTICULIÈRE, APPLICABLE APRÈS LA PÉRIODE DE GARANTIE EXPLICITE SUSMENTIONNÉE, ET AUCUNE AUTRE GARANTIE EXPLICITE DONNÉE PAR UNE PERSONNE, UNE ENTREPRISE OU UNE SOCIÉTÉ CONCERNANT CE PRODUIT N'ENGAGE LA RESPONSABILITÉ DE BERTAZZONI. BERTAZZONI DÉCLINE TOUTE RESPONSABILITÉ EN CAS DE PERTE DE CHIFFRE D'AFFAIRES OU DE PROFITS, D'IMPOSSIBILITÉ DE RÉALISER DES ÉCONOMIES OU D'AUTRES BÉNÉFICES, ABSENCE DU TRAVAIL, REPAS, PÉRIODE DE DÉPLACEMENT OU D'HÉBERGEMENT, FRAIS DE LOCATION OU D'ÉQUIPEMENT, FRAIS DE RENOVIATION/CONSTRUCTION DÉPASSANT LES DOMMAGES DIRECTS RÉSULTANT DE FAUTES EXCLUSIVEMENT IMPUTABLES À BERTAZZONI, OU TOUT AUTRE DOMMAGE SPÉCIAL, ACCIDENTEL

Bertazzoni décline toute responsabilité relative au Produit si celui-ci est situé dans une région isolée ou dans une zone où des techniciens formés ne pourraient raisonnablement se rendre. L'Acheteur prendra à sa charge les frais d'expédition et de transport du Produit jusqu'au centre de maintenance autorisé le plus proche ou les frais de déplacement additionnels d'un technicien formé et certifié.

Bertazzoni ne pourra en aucun cas être tenue responsable de dommages aux biens environnants comme le mobilier, les meubles, le sol, les panneaux et autres structures à proximité du Produit.

- Défauts et dommages résultant de facteurs externes échappant au contrôle de Bertazzoni S.p.A., incluant, sans s'y limiter, le vent, la pluie, le sable, les incendies, les inondations, les coulées de boue, le gel, une humidité excessive ou une exposition prolongée à l'humidité, les surtensions, la foudre, les défaillances structurales à proximité de l'appareil et toute autre catastrophe naturelle.
- Produits dont le numéro de série a été modifié, endommagé, altéré.

## DECLARATION DE GARANTIE LIMITEE DE DEUX ANS

/ Déclaration de garantie limitée de deux ans

### COUVERTURE DE LA PRESENTE GARANTIE

#### LIMITEE

La garantie fournie par Bertazzoni S.p.A. (« Bertazzoni ») à travers le présent document s'applique exclusivement à l'appareil Bertazzoni d'origine (« Produit ») vendu au client (« Acheteur ») par un distributeur, revendeur ou détaillant autorisé par Bertazzoni, acheté et installé aux Etats-Unis, dans le District de Columbia, ou au Canada, qui est toujours resté dans le pays d'achat d'origine (Etats-Unis, District de Columbia, ou Canada). La couverture de la garantie prend effet à compter de la date d'achat au détail d'origine du Produit et a une durée de **deux (2) ans**.

La couverture de la garantie n'est pas cessible. En cas de remplacement de pièces ou de l'ensemble du produit, le Produit ou les pièces de remplacement sont protégés pendant le reste de la période de garantie d'origine sur présentation du document prouvant l'achat au détail du produit d'origine. La période de garantie n'est pas prolongée en cas de remplacement.

Bertazzoni S.p.A. réparera ou remplacera tout composant en panne ou défectueux du fait des matériaux et/ou de la fabrication pendant 2 ans à compter de la date d'achat au détail d'origine et uniquement dans le cadre d'un usage domestique normal et non commercial. Les réparations ou remplacements ne seront pas facturés et comprennent la main-d'œuvre au taux standard et les frais de transport. L'acheteur a la responsabilité de rendre le Produit raisonnablement accessible en cas d'assistance. Les réparations doivent être réalisées par un prestataire de services de maintenance autorisé par Bertazzoni, aux heures de travail normales. Les heures de main-d'œuvre supplémentaires ou majorées ne sont pas couvertes par la Garantie.



**IMPORTANT : conserver les documents attestant l'achat original afin de déterminer la période de garantie.**

La responsabilité de Bertazzoni relative à toute demande ou réclamation, de quelque nature que ce soit, concernant les biens ou services fournis ne pourra en aucun cas dépasser la valeur des biens ou services, ou partie de ceux-ci, à l'origine de la réclamation.



**IMPORTANT : conserver les documents attestant l'achat original afin de déterminer la période de garantie.**

**COMMENT FAIRE INTERVENIR L'ASSISTANCE**  
Pour faire appliquer la garantie, l'Acheteur doit contacter l'Assistance Bertazzoni afin d'identifier les problèmes et de connaître les procédures à suivre. Le numéro du modèle, le numéro de série et la date d'achat au détail d'origine lui seront demandés.

**les articles de démonstration.**  
**déballés, les appareils vendus « en l'état » et**

- **Les frais liés à la main-d'œuvre, l'écran, le sol, les articles d'occasion, les appareils**
- Les différences de couleurs de parties des éléments peints/émaillés.
- Les différences liées à l'éclairage naturel ou artificiel, l'emplacement ou d'autres facteurs similaires.
- Les taches, la corrosion et la décoloration causées par des substances externes ou des facteurs environnementaux.
- Les légères différences de couleurs des parties en verre brisées).
- Les problèmes qui résultent d'un transport, d'une manipulation ou d'une installation incorrecte (par exemple les structures ou composants présentant des bosses, cassés, enfoncés ou déformés, ou les défauts superficiels macroscopiques
- Eclats
- Imperfections de la peinture

La garantie esthétique NE COUVRE PAS :

Cette couverture inclut :

- Défauts superficiels macroscopiques
- Eclats
- Imperfections de la peinture

le Produit.

Bertazzoni garantit que le Produit est dépourvu de tout défaut de fabrication du fait des matériaux et/ou de la main-d'œuvre pendant une période de trente (30) jours à compter de la date d'achat au détail d'origine du Produit.

Au moment de la livraison, l'Acheteur doit inspecter

**Garantie esthétique de 30 jours**

En cas d'installation aux Etats-Unis  
866 905 0010  
<https://us.bertazzoni.com/more/support>

En cas d'installation au CANADA  
800 561 7265  
<https://ca.bertazzoni.com/more/support>

## RÉSOLUTION DES PROBLÈMES

Vous pouvez appeler le numéro vert de notre Service clients pour résoudre tout problème lié à votre cuisinière Bertazzoni :

En cas d'installation aux États-Unis

866 905 0010

<https://us.bertazzoni.com/more/support>

En cas d'installation au CANADA

800 561 7265

<https://ca.bertazzoni.com/more/support>

Assurez-vous de conserver les informations suivantes à portée de main. Notre équipe du service client en aura besoin pour ouvrir un ticket de service ou pour le dépanner. date d'achat  
Modèle\*  
Date de production / Numéro de série \*

\* Peut être trouvé sur la plaque signalétique

Veuillez vous inscrire sur notre site Internet [www.bertazzoni.com](http://www.bertazzoni.com) pour valider la garantie de votre nouveau produit et nous permettre de vous aider en cas de besoin.

## NETTOYAGE DE VOTRE TABLE DE CUISSON

### Risque de brûlure

S'assurer que les éléments chauffants sont éteints et ont complètement refroidi avant d'effectuer toute opération de nettoyage et/ou d'entretien.

### Actions à ne pas faire :

- N'utilisez pas de nettoyeur vapeur pour nettoyer la cuisinière : la vapeur pourrait entrer en contact avec des composants électriques et entraîner un court-circuit.
- Ne vaporisez pas de liquides tels que des produits nettoyants dans les ouvertures situées au bas et sur le dessus de la cavité du four.
- Les surfaces peuvent se décolorer ou être endommagées suite à l'utilisation de produits nettoyants inappropriés.

### Nettoyage de l'acier inoxydable

Toutes les parties en acier inoxydable doivent être nettoyées avec une solution d'eau chaude savonneuse après chaque cycle de travail. Les projections et déversements doivent être nettoyés immédiatement. Utiliser des produits nettoyants non abrasifs adaptés à l'acier inoxydable si de l'eau savonneuse ne suffit pas. *NE PAS utiliser de laine d'acier, de linges abrasifs, de produits ou de poudres nettoyants.* Si nécessaire, gratter l'acier inoxydable pour en retirer les incrustations ; pour cela, mouiller avec un chiffon humide et chaud pour ramollir le dépôt, puis utiliser une spatule en bois ou en nylon ou une raclette. *NE PAS utiliser de couteau, de spatule ou tout autre ustensile en métal pour gratter l'acier inoxydable !* NE PAS laisser de jus de citron ou de tomate sur la surface en acier inoxydable, l'acide citrique pouvant décolorer de façon indélébile l'acier inoxydable.

### Nettoyage des surfaces peintes

Nettoyer avec un linge doux, de l'eau chaude et du liquide vaisselle non abrasif. Tandis que la surface est encore humide, frotter avec un linge doux et propre.

**Nettoyage de la surface de cuisson à induction**  
Avant le nettoyage, laisser refroidir la surface jusqu'à ce que l'indicateur de chaleur résiduelle s'éteigne. Ne jamais utiliser de poudres ou de pâtes à recuire, de tampons à recuire métalliques, de produits nettoyants pour four ou tout produit de nettoyage abrasif sur la surface chaude. Nettoyer toute projection avant de réutiliser la surface de cuisson. Pour un nettoyage léger, utiliser un linge doux imbibé d'eau chaude et de liquide nettoyant. Pour une finition sans traces, frotter avec un linge sec en microfibre. En cas de traces incrustées et pour un nettoyage optimal de la surface de cuisson, utiliser une crème ou un produit nettoyant de qualité destinés aux surfaces de cuisson, en suivant les instructions du fabricant. En cas de projection d'aliment présentant une teneur en sucre élevée, par exemple de la

confiture, ou de fusion accidentelle de plastique ou d'alliages, éteindre la zone de cuisson et retirer immédiatement la projection.  
Procéder avec la plus grande prudence car la zone de cuisson peut être brûlante.

Brûleur	Diam. (mm)	Diam. récipient de cuisson	Utilisation
Auxiliaire	Ø 50 mm		À utiliser avec des récipients de cuisson plus petits pour faire cuire à l'eau ou mijoter et pour la préparation de sauces.
Semi-rapide (et grill)	Ø 70 mm		À utiliser avec des récipients de cuisson de moyenne et petite taille pour des fritures normales ou des cuissons à l'eau.
Rapide	Ø 95 mm		À utiliser avec des récipients de moyenne et grande taille pour frire ou obtenir une ébullition rapide.
Double interne/externe	Ø 43/140 mm		À utiliser avec des woks, des grills et des poêles à frire, ou avec des récipients de cuisson de grande taille pour obtenir une ébullition rapide.

**RECOMMANDATIONS**

- Toujours positionner le récipient de cuisson de sorte qu'il soit centré sur l'élément chauffant.
- Soulever le récipient de cuisson pour le déplacer. Ne pas le faire glisser et éviter tout frottement excessif sur la surface en verre car cela pourrait la rayer.
- Ne jamais laisser de récipient de cuisson vide sur un élément chauffant, même si celui-ci est éteint.
- La puissance maximale ne doit être utilisée que pour frire ou porter un liquide à ébullition.
- Éviter de chauffer les récipients de cuisson antiadhésifs (par ex. composés d'un revêtement en téflon) au maximum.
- Éviter de ranger des objets solides et lourds dans un placard situé au-dessus de la surface de cuisson. Ils pourraient tomber accidentellement et endommager la surface en verre.
- **Faire très attention à éviter les déversements de sucre ou de mélanges sucrés sur la surface de cuisson pendant son utilisation, et éviter d'utiliser des matériaux ou substances susceptibles de fondre (plastique ou feuille d'aluminium).** Si cela venait à arriver, éteindre immédiatement la surface de cuisson et la nettoyer avec la raclette fournie tant que la zone de cuisson est chaude. Si la surface n'est pas nettoyée immédiatement, des résidus impossibles à éliminer une fois la zone de cuisson refroidie sont susceptibles de se former.



## L - Fonction « Child lock » (sécurité enfants)

En cas d'inutilisation, la surface de cuisson peut être « verrouillée » pour éviter que des enfants ne l'allument accidentellement.

Avec les zones de cuisson éteintes, tourner simultanément les boutons des zones 1 et 2 sur la gauche, jusqu'à ce que la lettre « L » apparaisse sur l'affichage, puis relâcher les boutons. Pour la désactiver, répéter la même procédure : le « L » disparaîtra de l'affichage de la zone de cuisson, indiquant que la fonction « LOCK » (verrouillage) de la zone de cuisson a été désactivée.

## U - Détection récipient de cuisson

Chaque zone de cuisson est équipée d'un dispositif de « détection de récipient », qui empêche l'allumage de la zone de cuisson tant qu'un récipient de cuisson adapté n'a pas été correctement positionné sur celle-ci.

Si l'utilisateur tente d'allumer la zone de cuisson avec un récipient de cuisson mal positionné ou constitué d'un matériau inadapté, le symbole apparaîtra quelques secondes après l'allumage de la zone afin de signaler la présence d'une anomalie.

## H - Chaleur résiduelle.

Chaque zone de cuisson est équipée d'un dispositif signalant la chaleur résiduelle. Après l'extinction d'une zone de cuisson, un « H » clignotant peut s'afficher, signalant que la zone de cuisson est toujours très chaude.

La cuisson peut être relancée même lorsque la lettre « H » clignote.

## RÉCIPENTS DE CUISSON ADAPTÉS À L'INDUCTION

La technologie à induction nécessite des batteries de cuisine en fer ou en acier magnétique afin de générer le champ magnétique nécessaire au processus de chauffage.

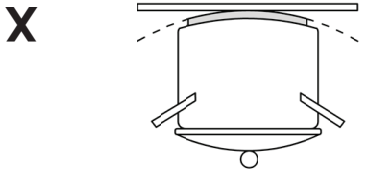
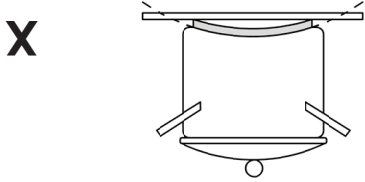
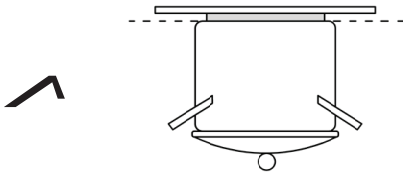
Les batteries de cuisine en verre, en porcelaine, en céramique ou en aluminium ne fonctionneront pas sur une table de cuisson à induction. Les récipients en verre, porcelaine, céramique ne sont pas adaptés. Les récipients en acier, aluminium ou cuire sans fond magnétique ne conviennent pas non plus.

Le plus souvent, la compatibilité avec l'induction est indiquée sur le récipient de cuisson. Pour vérifier qu'un récipient est adapté, approcher

Utiliser uniquement des récipients spécialement conçus pour l'induction, dotés d'un fond épais complètement plat. Si aucun récipient de ce type n'est disponible, les récipients ne doivent pas présenter de fond arrondi (concave ou convexe).

Le symbole s'affiche, le récipient de cuisson ne doit pas être placé sur une zone de cuisson et l'allumer. Si la petite quantité d'eau dans le récipient de cuisson, à induction. En l'absence d'aimant, verser une

simplement un aimant de son fond : si l'aimant se colle au fond du récipient, il est adapté à la cuisson à induction. En l'absence d'aimant, verser une



Les casseroles qui ne sont pas complètement plates et dont le fond est en retrait laissent un intervalle d'air entre la casserole et la table de cuisson, ce qui pendant le fonctionnement peut atteindre des températures très élevées pouvant endommager le dessus et les inducteurs situés sous le verre.

Pour un fonctionnement optimal, un diamètre minimum est indispensable. Des récipients de cuisson plus larges que la zone de cuisson peuvent être utilisés. S'assurer dans ce cas que le fond ne touche pas d'autres zones de cuisson et qu'il est toujours centré sur l'inducteur.

## BRUIT EN FONCTIONNEMENT

Un bourdonnement ou un bourdonnement pendant le fonctionnement est normal et son intensité peut varier selon les types de batterie de cuisine. Il est normal d'entendre un bruit de ventilateur après avoir éteint la table de cuisson à induction

## LA CUISSON À INDUCTION

Sous chaque zone de cuisson se trouve une bobine, appelée inducteur. L'inducteur génère un champ magnétique variable qui utilise de l'électricité. Lorsqu'un récipient de cuisson est placé à l'intérieur de ce champ magnétique, le courant à haute fréquence rayonne directement sur le fond du récipient et génère la chaleur nécessaire à la cuisson.

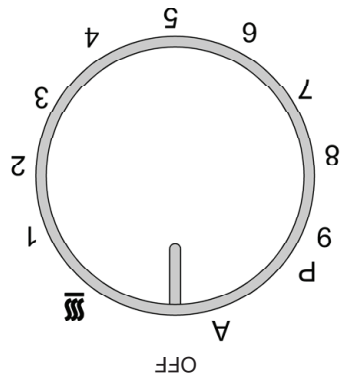
Après l'utilisation, l'affichage peut indiquer la lettre « H » en présence de chaleur résiduelle. La lettre « H » disparaît lorsque la température descend en dessous de 140°F/60°C.

**ALLUMAGE DES ÉLÉMENTS À INDUCTION**

Le symbole au-dessus de chaque bouton indique l'élément qu'il contrôle.

La puissance est réglée à l'aide du bouton et indiquée sur l'affichage de la surface de cuisson.

Pour allumer une zone de cuisson, appuyer sur le bouton de réglage (fig. 14A-14B) correspondant et le tourner dans le sens horaire. La puissance va d'une valeur minimum de 1 à une valeur maximum de 9.



## UTILISATION DES FONCTIONS SPÉCIALES A - Mode « Heating Accelerator » (accélérateur de chauffe)

L'accélérateur de chauffe permet à chaque zone d'être chauffée à une puissance maximale pendant une durée proportionnelle à la valeur de chauffe choisie.

- Tourner le bouton dans le sens anti-horaire, le mettre sur « A » puis le relâcher. La lettre « A » apparaît sur l'affichage de la surface de cuisson. Après 3 secondes, il est possible de choisir la valeur de puissance souhaitée. Une fois sélectionnée une valeur comprise entre 1 et 9, la lettre « A » et le réglage souhaité clignoteront alternativement sur l'affichage.

Pendant le fonctionnement de l'accélérateur de chauffe, il est possible d'augmenter à tout moment le niveau de chauffe. La durée de chauffe à pleine puissance sera modifiée en conséquence. Si la puissance est réduite en tournant le bouton dans le sens anti-horaire, l'option « A » est

## P - Mode « Power » (puissance maximale)

Le mode « Power » permet d'utiliser chaque zone de cuisson à la puissance maximale pendant une durée maximale de 10 minutes en continu. Ce mode permet de porter rapidement à ébullition une grande quantité d'eau, ou d'augmenter la chaleur de cuisson d'une viande.

- Tourner le bouton dans le sens horaire et régler la puissance sur 9, puis mettre le bouton sur « P » et le relâcher.
- La lettre « P » apparaîtra dans la zone correspondante sur l'affichage.
- Après 10 minutes, la puissance sera automatiquement réduite à 9 et le « P » disparaîtra.

Le mode « Power » peut être désactivé à tout moment en réduisant le niveau de chauffe sélectionné. Si le récipient de cuisson est retiré de la zone de cuisson alors que le mode « Power » est activé, cette fonction sera désactivée.



## - Mode « Holding » (Maintien de la température)

Le mode « Holding » permet de maintenir la température du fond d'un récipient de cuisson à environ 160°F/70°C. Les aliments peuvent ainsi être réchauffés lentement et rester chauds, avec une consommation d'énergie optimale. Le mode « Holding » peut rester en fonction pendant 2 heures maximum.

Le mode « Holding » est indiqué par le symbole correspondant au niveau des zones de cuisson.



## □ - Mode « Bridge » (pont)

Le mode « Bridge » permet d'utiliser les 2 zones de cuisson du côté droit comme une seule et même zone de cuisson. Le mode « Power » ne peut être activé lorsque ces zones sont utilisées en mode « Bridge ».

- Tourner simultanément les deux boutons arrière droit et avant droit en position « P » et les maintenir dans cette position.
- Le symbole □ clignotera sur l'affichage, puis retournera au niveau de puissance défini.
- Pour contrôler le niveau de puissance du pont, utiliser le bouton 4 (zone avant droite). En tournant le bouton 3 (zone arrière droite), l'affichage indique un segment horizontal et le mode « Bridge » est désactivé.

## SURFACE DE CUISSON ET BOUTONS

### Risque de décharge électrique !

S'assurer que tous les boutons de réglage sont sur « OFF » avant le nettoyage. Le non-respect de cette consigne peut entraîner des brûlures ou une décharge électrique.

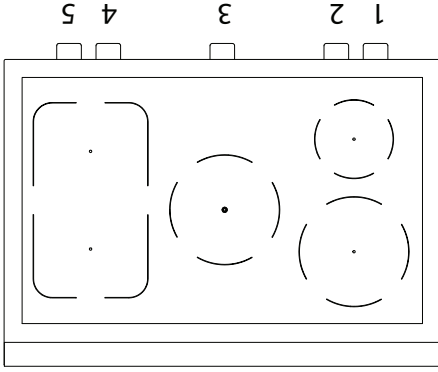


#### AVERTISSEMENT:

Cancer et Troubles de l'appareil reproducteur-  
www.P65Warnings.ca.gov.

#### Élément chauffant

- |   |                                    |
|---|------------------------------------|
| 1 | Élément à induction avant gauche   |
| 2 | Élément à induction arrière gauche |
| 3 | Élément à induction central        |
| 4 | Élément à induction avant droit    |
| 5 | Élément à induction arrière droit  |



etc., ne doivent jamais être utilisés sur la

table de cuisson

- Le placement des grands pots de bouillon doit être décalé lorsqu'il est utilisé sur le plan de la table de cuisson.

- Utilisez la bonne taille de casserole - Cet

appareil est équipé d'une ou plusieurs unités de surface de différentes tailles. Sélectionnez des ustensiles dont le fond plat est suffisamment large pour recouvrir l'élément chauffant de l'unité de surface. L'utilisation d'ustensiles trop petits exposerà une partie de l'élément chauffant à un contact direct et peut provoquer l'inflammation des vêtements. Une bonne relation entre l'ustensile et le brûleur améliorera également l'efficacité.

### Sécurité lors du nettoyage

- Eteindre l'appareil et attendre que toutes ses parties aient refroidi avant de les toucher ou de les nettoyer. NE PAS toucher les zones d'induction avant qu'elles n'aient suffisamment refroidi.

- La table de cuisson doit être nettoyée avec un produit nettoyant.
- Si une éponge ou un chiffon humide est utilisé pour essuyer les déversements sur une zone de cuisson chaude, veillez à éviter les brûlures de vapeur. Certains nettoyants peuvent produire des vapeurs nocives s'ils sont appliqués sur une surface chaude.

NE JAMAIS se servir de la table de cuisson comme appareil de chauffage, pour éviter tout danger potentiel pour l'utilisateur et tout dommage à la table de cuisson.

### Ventilation de la pièce

Il convient d'associer un ventilateur extracteur à l'appareil. Celui-ci doit être installé conformément aux normes locales et nationales en vigueur. Elle doit être installée conformément aux normes fonctionnelles d'une hotte aspirante peut avoir une incidence sur d'autres appareils de ventilation.

du à un contact involontaire avec l'ustensile, la poignée d'un ustensile doit être positionnée de manière à ce qu'elle soit tournée vers l'intérieur, et ne s'étend pas sur les unités de surface adjacentes.

Ne placez pas d'objets métalliques tels que des couteaux, des fourchettes, des cuillères et des couvercles sur la surface de cuisson car ils peuvent devenir chauds.

**NE PAS TOUCHER AUX UNITÉS DE SURFACE OU AUX ZONES PROCHES** - Les unités de surface peuvent être chaudes même si elles sont de couleur foncée. Les zones proches des unités de surface peuvent devenir chaudes. suffisamment pour causer des brûlures. Pendant et après l'utilisation, ne touchez pas ou ne laissez pas les vêtements s'accrocher aux poignées d'un ustensile. Ne pas brancher d'appareils aux prises situées au-dessus ou à proximité de la surface de cuisson à induction. L'isolation du cordon d'alimentation pourrait fondre en cas de contact avec la chaleur et entraîner des blessures et des dommages matériels.

### Ustensiles recommandés

- Utiliser des récipients de cuisson à fond plat, dotés de poignées faciles à manipuler et non conductrices de chaleur. Éviter d'utiliser des récipients de cuisson instables, gauchis, avec des poignées desserrées ou se renversant facilement. Éviter également d'utiliser des récipients de cuisson, notamment de petite taille, avec des poignées lourdes, car ils pourraient être instables et se renverser facilement. Les récipients de cuisson sont très lourds une fois remplis et peuvent être dangereux.
- S'assurer que l'ustensile utilisé est assez grand pour contenir toute la nourriture sans déborder. La taille du récipient de cuisson est fondamentalement en cas de friture. S'assurer que le récipient de cuisson sera adapté au volume de nourriture prévu ainsi qu'au bouillonnement produit par la matière grasse.
- Ne JAMAIS laisser un récipient de cuisson chauffer à sec ; cela pourrait abîmer l'ustensile et la cuisinière.
- Suivre les consignes du fabricant en cas d'utilisation de sacs de cuisson.
- Seuls certains types d'ustensiles en verre, vitrocéramique, céramique ou matériau émaillé sont adaptés à une utilisation sur les brûleurs de surface ou dans le four, sans risque de rupture due à un choc thermique. Suivre les instructions du fabricant en cas d'utilisation de verre.
- Les ustensiles de cuisson, comme les grandes casseroles, les plaques à biscuits,

- Ne JAMAIS laisser une opération de cuisson en surface sans surveillance, notamment en cas de cuisson à haute température ou de friture. Les températures excessives génèrent des fumées et des projections grasses peuvent s'enflammer. Nettoyer les projections de grasse dès que possible. NE PAS cuire à haute température pendant de longs moments.
- NE PAS faire chauffer de contenants alimentaires fermés. L'accumulation de pression peut faire exploser le conteneur et engendrer des blessures.
- Ne JAMAIS porter de vêtements réalisés dans des matières inflammables, non attachés ou à manches longues pendant une cuisson. Les vêtements peuvent s'enflammer ou s'accrocher aux poignées d'un ustensile. Ne pas brancher d'appareils aux prises situées au-dessus ou à proximité de la surface de cuisson à induction. L'isolation du cordon d'alimentation pourrait fondre en cas de contact avec la chaleur et entraîner des blessures et des dommages matériels.
- Utilisez uniquement des maniques sèches - Des maniques humides ou humides sur des surfaces chaudes peuvent entraîner des brûlures dues à la vapeur. Ne laissez pas la manique toucher les éléments chauffants chauds. N'utilisez pas de serviette ou autre tissu volumineux.
- Ne laissez jamais les unités de surface sans surveillance à des réglages de chaleur élevés - Le débordement provoque de la fumée et des déversements grasses qui peuvent s'enflammer.
- Assurez-vous que les bacs réflecteurs ou les bols d'égoûtent sont en place - L'absence de ces bacs ou bols pendant la cuisson peut endommager le câblage ou les composants situés en dessous.
- Doubles de protection - N'utilisez pas de papier d'aluminium pour tapiser les cuvettes d'égoûtent des unités de surface ou les fonds de four, sauf comme suggéré dans le manuel. Une installation incorrecte de ces revêtements peut entraîner un risque de choc électrique ou d'incendie.
- Ustensiles de cuisine émaillés - Seuls certains types d'ustensiles en verre, verre/céramique, céramique, fatence ou autres ustensiles émaillés conviennent à un service sur la cuisinière sans se casser en raison du changement soudain de température.
- Les poignées des ustensiles doivent être tournées vers l'intérieur et ne pas s'étendre sur les unités de surface adjacentes - Pour réduire le risque de brûlures, d'inflammation de matériaux inflammables et de déversement

# INSTRUCTIONS IMPORTANTES

## AVERTISSEMENTS

/utilisation/avertissement

Les avertissements et les consignes de sécurité contenus dans ce manuel ne couvrent pas toutes les situations et conditions susceptibles de survenir. Procéder avec bon sens et attention et avec le plus grand soin lors de l'installation, de l'entretien ou de l'utilisation de l'appareil.

Les instructions doivent avoir été lues et comprises avant toute utilisation de l'appareil, afin d'éviter les risques potentiels d'incendie, de décharge électrique, de blessures ou de dommages à l'appareil résultant d'une utilisation inappropriée. L'appareil doit uniquement être utilisé aux fins prévues et décrites dans ce manuel.

Ranger soigneusement ce manuel pour toute consultation future par l'inspecteur électrique local. Après avoir lu ces instructions, les ranger soigneusement en vue d'une future consultation. Respecter les réglementations, normes et lois en vigueur.

### AVERTISSEMENT !

**Si les informations dans ce manuel ne sont pas suivies scrupuleusement, un incendie ou une explosion risquent de survenir et d'entraîner des dommages matériels, blessures personnelles ou la mort.**

- Ne pas stocker ni utiliser de l'essence ou autres substances inflammables à proximité de cet appareil ou d'autres appareils électroménagers.

L'installation et la maintenance doivent être entreprises par un installateur qualifié.

Pour un fonctionnement correct et en toute sécurité : l'appareil doit être correctement installé et mis à la terre par un technicien qualifié. NE PAS tenter de régler, réparer, réviser ou remplacer un composant de l'appareil à moins que le présent manuel ne le recommande spécifiquement. Toute autre intervention doit être réalisée par un opérateur qualifié. L'installateur montrera l'emplacement de la vanne de fermeture du gaz et les modalités d'arrêt en cas d'urgence.

Un technicien certifié devra intervenir pour tout réglage ou conversion aux gaz naturel ou LPG.

### Pour prévenir les incendies ou les dommages liés à la fumée :

- S'assurer que tous les matériaux d'emballage ont été retirés de la cuisinière avant son utilisation.
- Ne jamais laisser de vêtements, de maniques ou d'autres matériaux inflammables entrer en contact avec un élément, brûleur de surface ou

### Sécurité en cuisine

- TOUJOURS placer un récipient de cuisson sur un brûleur de surface avant de l'allumer. S'assurer de savoir à quel bouton correspond chaque brûleur de surface. S'assurer que le brûleur correct est allumé. Une fois la cuisson terminée, éteindre le brûleur avant de retirer le récipient de cuisson pour éviter de s'exposer à une flamme.

### Sécurité des enfants

- Ne JAMAIS laisser d'enfants seuls ou sans surveillance près de la table de cuisson lorsque celle-ci est en fonctionnement ou encore chaude.
- Ne JAMAIS laisser d'enfants s'asseoir ou marcher sur des éléments de la table de cuisson, car ils pourraient être blessés ou brûlés.
- CAUTION: ne pas placer d'objets susceptibles d'intéresser les enfants sur la table de cuisson. Ils pourraient être gravement blessés en tentant de grimper pour atteindre ces objets.

### En cas d'incendie

- Éteindre la table de cuisson et la hotte d'extraction pour empêcher la diffusion des flammes. Éteindre les flammes puis rallumer la hotte pour éliminer la fumée et les odeurs.
- Surface de cuisson : Pour étouffer un feu ou des flammes dans une casserole, utiliser un couvercle ou une plaque à pâtisserie.
- Ne JAMAIS se saisir ou déplacer une casserole enflammée.
- Ne pas utiliser d'eau sur les feux de graisse - Étouffer le feu ou les flammes ou utiliser un extincteur à poudre ou à mousse.
- Ne jamais laisser d'objets sur la surface de cuisson. L'air chaud sortant de l'orifice de ventilation peut enflammer des objets inflammables ou augmenter la pression dans des contenants fermés et les faire exploser.
- Un grand nombre de bombes aérosol sont hautement inflammables et peuvent EXPLOSER en cas d'exposition à la chaleur. Éviter de les entreposer ou de les utiliser près de la cuisinière.
- Stockage dans ou sur l'appareil - Les matériaux inflammables ne doivent pas être stockés dans un four ou à proximité d'éléments de surface.

**TABLE DE CUISSON À INDUCTION**

**MANUEL D'UTILISATION**

**BERTAZZONI**

**Liste de contrôle pour l'installation****Préparation finale**

Un installateur qualifié devra réaliser les contrôles suivants :

- La garniture ou la protection arrière est-elle fixée conformément aux instructions fournies ?
- Le dégagement par rapport aux surfaces des meubles est-il conforme aux consignes du fabricant ?
- Le raccordement à la terre a-t-il été correctement réalisé ?

- Avant d'utiliser l'appareil, retirer tout film protecteur éventuellement présent sur les surfaces en acier inoxydable.
- Toutes les parties du corps en acier inoxydable doivent être nettoyées avec de l'eau chaude savonneuse et un détergent liquide adapté à l'acier inoxydable.
- En présence de dépôts, ne pas utiliser de laine d'acier, de linges abrasifs, de produits ou de poudres nettoyants.
- Si l'acier inoxydable doit être gratté pour en retirer les incrustations, mouiller avec un chiffon humide et chaud pour ramollir le dépôt, puis utiliser une raclette en bois ou en nylon.
- Ne pas utiliser de couteau, de spatule ou tout autre ustensile en métal pour gratter l'acier inoxydable ! Les rayures sont très difficiles à enlever.

**ASSISTANCE BERTAZZONI**

Bertazzoni s'engage à fournir le meilleur service clients et la meilleure assistance produits possibles. Notre équipe de professionnels dévoués et formés répondra à vos besoins.

Si vous disposez d'un appareil Bertazzoni et souhaitez bénéficier d'une assistance aux États-Unis ou au Canada, utilisez les coordonnées suivantes :

Tél. - Lundi au vendredi,  
7h30 à 19h30 EST (sauf jours fériés aux États-Unis).

En cas d'installation aux États-Unis

866 905 0010

<https://us.bertazzoni.com/more/support>

En cas d'installation au CANADA

800 561 7265

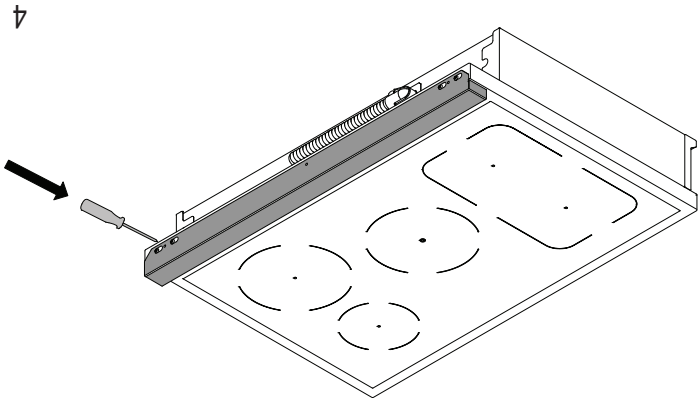
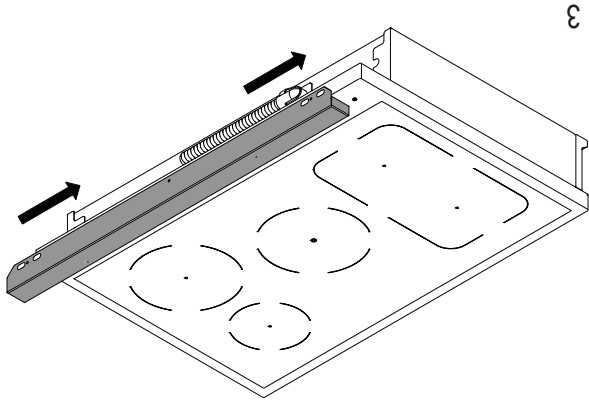
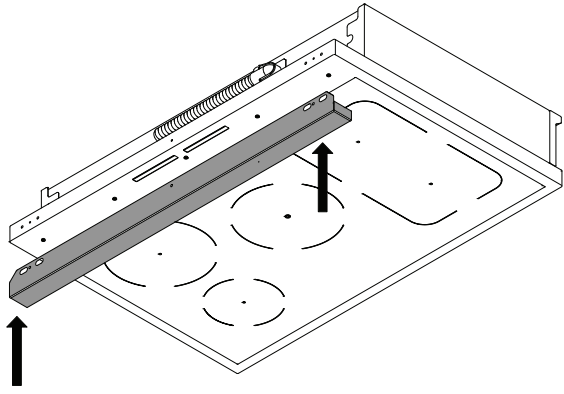
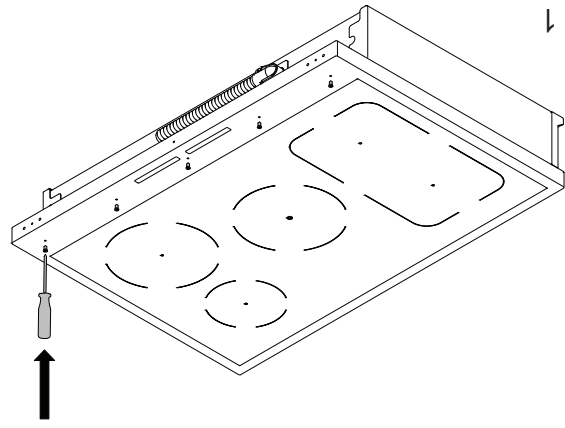
<https://ca.bertazzoni.com/more/support>

\* Peut être trouvé sur la plaque signalétique

Assurez-vous de conserver les informations suivantes à portée de main. Notre équipe du service client en aura besoin pour ouvrir un ticket de service ou pour le dépanner.

date d'achat  
Modèle\*  
Date de production / Numéro de série \*

**INSTALLATION DE LA GARNITURE**  
La garniture est uniquement positionnée sur la surface de cuisson. Retirer tous les rubans et matériaux d'emballage avant son installation. Avant l'installation, portez des gants de sécurité.





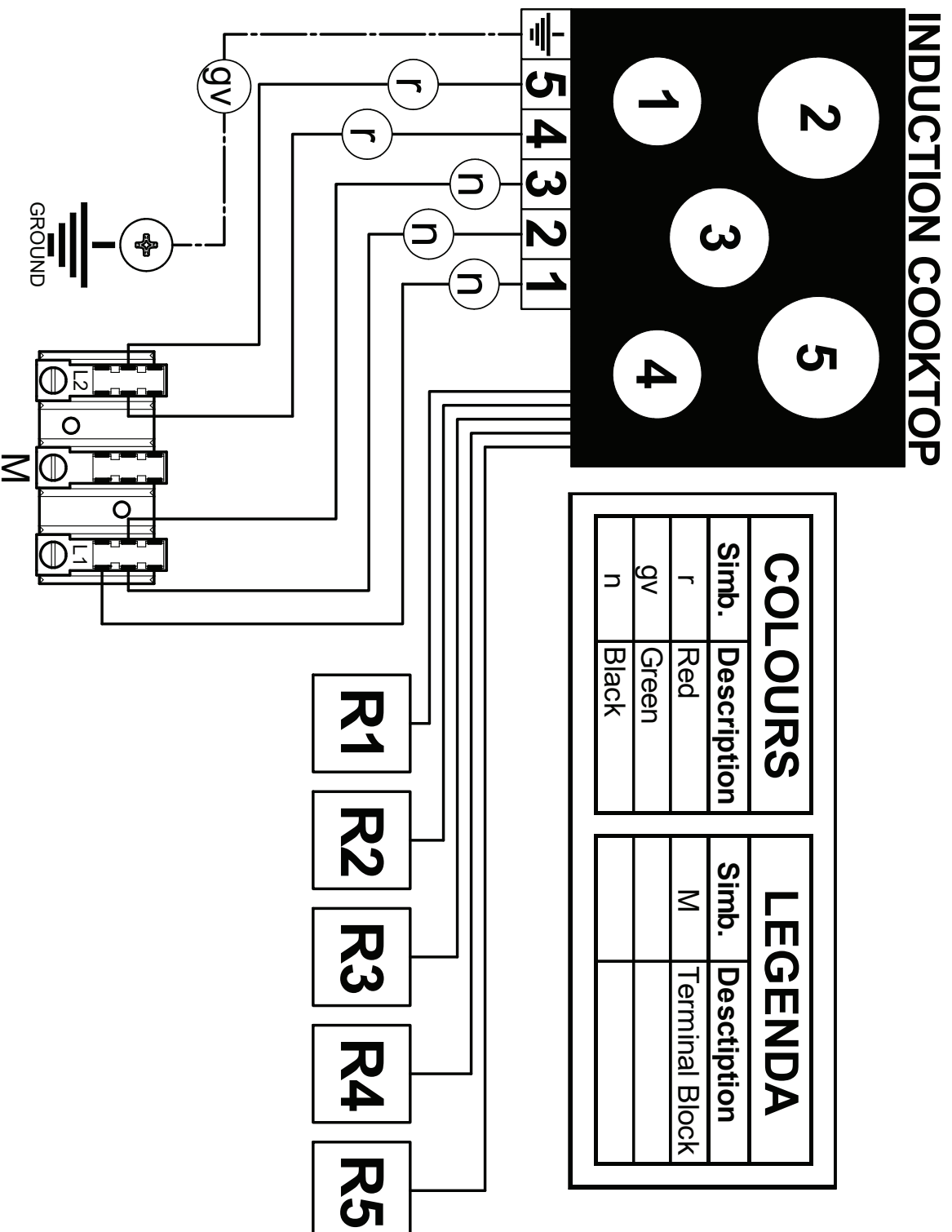
## INSTALLATION DE L'APPAREIL

### Déballage de la table de cuisson

- Retirer tous les matériaux d'emballage de la palette d'expédition sans toucher à la mousse postérieure adhésive sur les surfaces en métal brosse, afin de protéger la table de cuisson des rayures jusqu'à son installation à son emplacement final. Ne retirer que le film protégeant les panneaux latéraux avant de positionner la table de cuisson entre les meubles de cuisine.
- Examiner la table de cuisson après l'avoir déballée. En cas de dommage résultant du transport, ne pas la brancher. Prendre des photos du dommage et en informer immédiatement le transporteur.
- Retirer les grilles, plaques et chapeaux des brûleurs pour faciliter le déplacement de la table de cuisson.

## SCHEMA DE CÂBLAGE

Les schémas de câblage électrique figurent à l'arrière de la table de cuisson et ne peuvent être retirés que par un technicien de maintenance, qui doit les remettre en place une fois l'entretien réalisé.



## CONDITIONS D'INSTALLATION

### ÉLECTRICITÉ

Une prise électrique montée horizontalement et correctement mise à la terre doit être installée à une hauteur maximale de 27" (68,6 cm) et minimale de 2" (5 cm) par rapport au sol, et à une distance maximale de 15" (38,1 cm) par rapport au côté gauche du produit (en lui faisant face).  
Vérifier les dispositions des réglementations locales.

**DANGER !**  
**RISQUE DE DÉCHARGE ÉLECTRIQUE !**  
Couper l'alimentation électrique au niveau du disjoncteur ou du tableau à fusibles avant d'installer l'appareil.  
L'appareil doit être correctement mis à la terre. Utiliser uniquement des conducteurs en cuivre.  
Le non-respect de ces instructions pourrait entraîner de graves blessures, voire la mort.

### Avertissement!

#### Mise à la terre électrique

Cet appareil est équipé d'un câble métallique flexible de 4" (1,2 m) avec 3 fils prêt à être connecté à une alimentation électrique dédiée à 2 pôles et 3 fils mise à la terre.

L'appareil sera branché à un système électrique à 208 Vca ou 240 Vca, fréquence de 60 Hz.

Vca	évaluation	Fournit. électrique
208V	1000W 44A	50A
240V	1150W 44A	50A

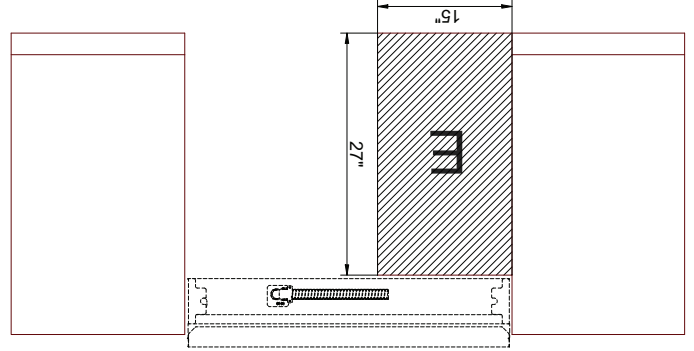
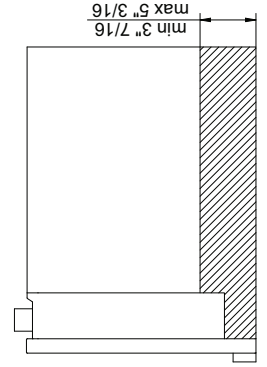
Connexion à 3 fils :

- Connecter la borne L1 du réceptacle au câble d'alimentation électrique entrant NOIR (L1-fil chaud)

- Connecter la borne L2 du réceptacle au câble d'alimentation électrique entrant ROUGE (L2-fil chaud)

- Connecter la borne de TERRE du réceptacle au câble d'alimentation électrique de TERRE (VERT)

**Attention**  
Étiqueter chaque câble avant de les débrancher pour effectuer des contrôles d'entretien. Des erreurs de câblage peuvent entraîner un fonctionnement incorrect et dangereux.  
Vérifier le bon fonctionnement de la cuisinière après l'entretien.



zone réservée au branchement

## RACCORDEMENT ÉLECTRIQUE

**ESPACE DE DÉGAGEMENT**

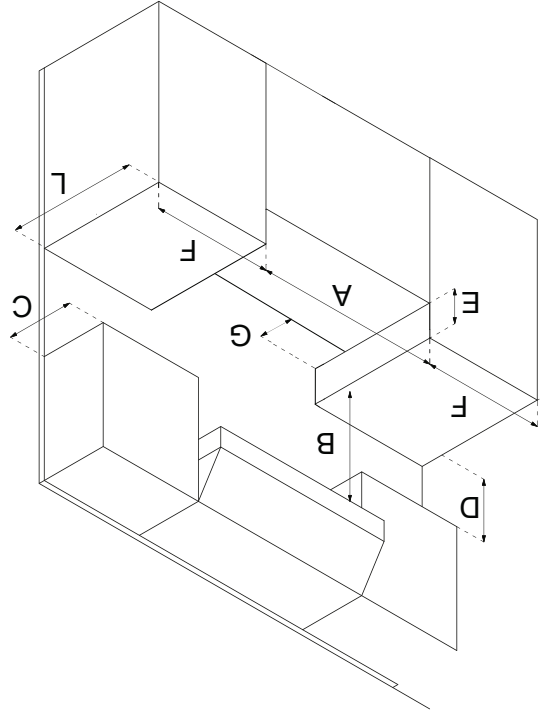
**Installation adjacente à des meubles de cuisine**  
 Cette table de cuisson peut être installée à proximité directe de plans de travail avec meubles intégrés (36" ou 91,5 cm par rapport au sol).  
 Pour un aspect optimal, la surface de la table de cuisson doit être au même niveau que celle du plan de travail avec meuble intégré. Pour ce faire, régler la hauteur de l'appareil en agissant sur les dispositifs de réglage des pieds.

**ATTENTION :** la table de cuisson NE DOIT PAS être installée à proximité directe des murs de la cuisine, de meubles ou d'appareils hauts, ou d'autres surfaces verticales de plus de 36" (91,4 cm) de hauteur. Dans ces cas, l'espace latéral doit être d'au moins 6" (15,2 cm).

Les meubles muraux présentant cet espace latéral minimum doivent être installés à 18" (45,7 cm) au-dessus du plan de travail, avec une hauteur de plan de travail comprise entre 35 1/2" (90,2 cm) et 37 1/4" (94,6 cm). La profondeur maximale des meubles muraux au-dessus de la cuisinière doit être de 13" (33 cm).

**Meuble de cuisine**

A	36" (91,5 cm) or 48" (122 cm)
B	30" (76,3 cm) hotte avec matériaux combustibles
B	25" (63,5 cm) hotte avec matériaux non combustibles
C	13" (33,0 cm)
D	18" (45,7 cm)
E	6" 5/8 (16,8 cm)
F	6" (15,2 cm)
G	min 3" 7/16 max 5" 3/16 (min 8,7cm max 13 cm)
L	25" 3/16 (64 cm)



### Préparation du Meuble de cuisine

1. Pour assurer des résultats professionnels, les ouvertures d'armoire et de comptoir devraient être préparées par un technicien qualifié d'armoire.

2. Les autorisations indiquées dans la figure sont nécessaires.

3. L'alimentation en électricité doit être située dans une zone accessible sans nécessiter l'enlèvement de la table de cuisson. Le cordon d'alimentation électrique de l'appareil est situé à l'arrière gauche

Préparer l'ouverture finie pour la table de cuisson en fonction des dimensions indiquées dans l'illustration de la page suivante.

La plate-forme doit inclure un découpage à l'arrière droit pour les connexions d'alimentation électrique. Il doit être de niveau pour s'assurer que la surface de cuisson est de niveau. Consultez le chapitre suivante pour obtenir un soutien de base minimum.

### BASE SUPPORT MIN

36" table de cuisson 250 lb (113 kg)

48" table de cuisson 300 lb (136 kg)

### Avertissement

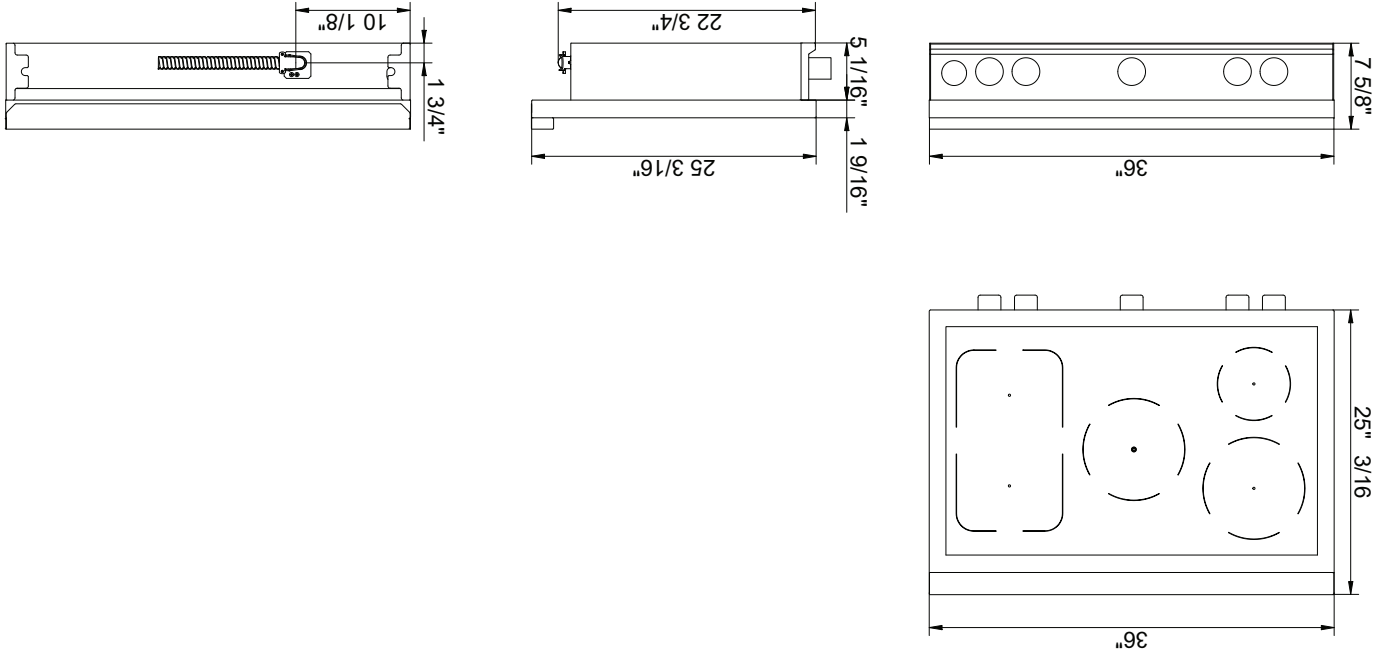
Pour éviter d'éventuels dommages aux armoires et aux finitions des armoires, n'utilisez que des matériaux et finitions qui ne décoloreront pas ou ne délamineront pas et résisteront à des températures allant jusqu'à 230°F (110°C). L'adhésif résistant à la chaleur doit être utilisé si le produit doit être installé dans l'armoire. Vérifiez auprès de votre constructeur ou fournisseur d'armoire pour vous assurer que les matériaux répondent à ces exigences.

## PRÉPARATION DE LA VENTILATION

Cette table de cuisson a un fonctionnement optimal en cas d'installation avec une hotte d'extraction Bertazzoni. Ces hottes, conçues pour être associées à la gamme Bertazzoni, offrent un aspect impeccable grâce à leur finition identique. Avant d'installer la hotte d'extraction, consulter les réglementations locales ou régionales en matière de construction et d'installation pour connaître les critères spécifiques aux espaces de dégagement. Pour plus d'informations, se reporter aux instructions d'installation de la hotte fournies par le fabricant.

- Choisir les modèles de hotte et de ventilateur :**
- En cas d'installation murale, la hotte doit présenter une largeur au moins égale à celle de la table de cuisson. Lorsque l'espace le permet, il peut être souhaitable d'installer une hotte plus large que la table de cuisson, pour une meilleure ventilation.
  - En cas d'installations autonomes, la largeur de la hotte doit dépasser celle de la table de cuisson d'au moins 3" (76 mm) de chaque côté.

## SPÉCIFICATIONS



- Positionnement de la hotte :**
- Pour une meilleure extraction des fumées et des odeurs, le bord inférieur de la hotte doit se trouver entre 25 1/2" (65 cm) et 31 1/2" (80 cm) au-dessus de la surface de cuisson de la cuisinière.
  - Si la hotte contient des matériaux combustibles (par ex. parement en bois), elle doit être installée à au moins 36" (914 mm) au-dessus de la surface de cuisson.
- Air d'appoint :**
- En présence d'un volume élevé d'air de ventilation, il est recommandé de disposer d'une source d'air de remplacement extérieur. Cela est particulièrement important pour les habitations fermées hermétiquement et fortement isolées. Consulter une entreprise de chauffage et de ventilation qualifiée.

## ÉTIQUETTE SIGNALÉTIQUE

L'étiquette signalétique indique le modèle et le numéro de série de la table de cuisson. Elle se trouve derrière la table de cuisson (fig) et sur la couverture de ce manuel.

NE PAS supprimer les étiquettes, les avertissements ou les plaques fixés en permanence sur le produit. Cela peut annuler la garantie

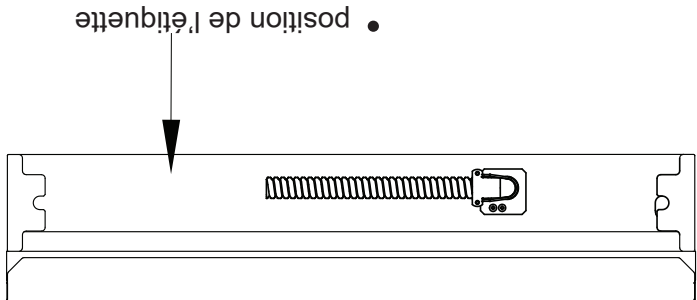
## AVANT L'INSTALLATION


- L'appareil doit être installé uniquement par un professionnel autorisé.
- Cet appareil doit être installé conformément aux instructions d'installation du fabricant.
- L'appareil doit être installé conformément aux normes et aux réglementations du pays d'installation.
- Une fois installé, l'appareil doit être raccordé à la terre conformément aux réglementations locales ou, en leur absence, à la réglementation américaine en matière d'électricité (NEC), ANSI/NFPA 70.

## Ventilation de la pièce

Il convient d'associer un ventilateur extracteur à l'appareil. Celui-ci doit être installé conformément aux normes locales et nationales en vigueur. Le fonctionnement d'une hotte aspirante peut avoir une incidence sur d'autres appareils de ventilation. Elle doit être installée conformément aux normes locales et nationales en vigueur.

**Ne pas utiliser de sprays aérosols à proximité de l'appareil en fonctionnement.**



 **AVERTISSEMENT:**  
Cancer et Troubles de l'appareil repro-  
ducteur-  
[www.P65Warnings.ca.gov](http://www.P65Warnings.ca.gov).



## AVERTISSEMENTS

Pour un fonctionnement correct et en toute sécurité, l'appareil doit être correctement installé et mis à la terre par un technicien qualifié. NE PAS tenter de régler, réparer, réviser ou remplacer un composant de l'appareil à moins que le présent manuel ne le recommande spécifiquement. Toute autre intervention doit être réalisée par un opérateur qualifié.

**POUR L'INSTALLATEUR** : Avant d'installer l'appareil Bertazzoni, veuillez lire attentivement ces instructions. Cet appareil doit être installé conformément aux instructions d'installation du fabricant.

**IMPORTANT**: Ces instructions doivent être laissées à la disposition du propriétaire, qui les conservera pour toute consultation future ou en cas de visite d'un inspecteur. NE PAS retirer les étiquettes, les avertissements ou les plaques permanentes apposés sur le produit. Cela risquerait d'annuler la garantie. L'installation doit être conforme aux réglementations locales.

La cuisinière N'A PAS été conçue pour être installée dans des maisons préfabriquées (mobiles) ou des caravanes.

### NE PAS installer la cuisinière en extérieur.

*L'appareil doit être correctement raccordé à la terre. Le raccordement à la terre réduit le risque de décharge électrique en fournissant un passage sécurisé au courant électrique en cas de court-circuit.*

### Avertissement !

Pour éviter les risques de lésion, de blessure mortelle ou de dommages aux biens, suivre scrupuleusement les informations contenues dans ce manuel visant à prévenir les incendies ou les explosions.

**AVERTISSEMENT !**  
Si les informations dans ce manuel ne sont pas suivies scrupuleusement, un incendie ou une explosion risquent de survenir et d'entraîner des dommages matériels, blessures personnelles ou la mort.

- Ne pas stocker ni utiliser de l'essence ou autres substances inflammables à proximité de cet appareil ou d'autres appareils électroménagers.

**DANGER ! RISQUE DE DÉCHARGE ÉLECTRIQUE !**  
Pour éviter les risques de décharge électrique, de lésion ou de blessure mortelle, vérifier que l'appareil a été correctement mis à la terre, conformément aux réglementations locales ou, en leur absence, à la réglementation américaine en matière d'électricité (NEC). ANS/NFPA 70 – dernière édition.

**Avvertissement!**  
N'utilisez jamais la section de cuisson de surface supérieure de cet appareil sans surveillance.  
- Le non-respect de cet avertissement pourrait entraîner un incendie, une explosion ou un risque de brûlure qui pourrait causer des dommages matériels, blessures corporelles ou la mort.  
- En cas d'incendie, éloignez-vous de l'appareil et appelez immédiatement votre service d'incendie.  
**NE TENTEZ PAS D'EXTORQUER UN FEU D'HUILE/ GRAISSE AVEC DE L'EAU**

**Modèles**  
MAST365IRTXT  
PROF365IRTXT

**Modèles**

## TABLE DES MATIÈRES

4	INSTALLATION
4	AVERTISSEMENTS
6	ÉTIQUETTE SIGNALÉTIQUE
6	AVANT L'INSTALLATION
7	PRÉPARATION DE LA VENTILATION
7	SPÉCIFICATIONS
9	ESPACE DE DÉGAGEMENT
10	CONDITIONS D'INSTALLATION
10	Électricité
10	RACCORDEMENT ÉLECTRIQUE
10	SCHEMA DE CÂBLAGE
11	INSTALLATION
12	Déballage de la table de cuisson
12	Installation de la garniture
13	Liste de contrôle pour l'installation
14	PRÉPARATION FINALE
14	ASSISTANCE BERTAZZONI
14	UTILISATION
15	AVERTISSEMENT
16	SURFACE DE CUISSON ET BOUTONS
18	SURFACE DE CUISSON À INDUCTION
22	NETTOYAGE DE VOTRE TABLE DE CUISSON
23	RÉSOLUTION DES PROBLÈMES
24	TWO YEAR LIMITED WARRANTY STATEMENT

LCF



TABLE DE CUISSON À INDUCTION

BERTAZZONI  
MANUEL D'INSTALLATION ET D'UTILISATION