

PE364IDDNET

36" INDUCTION DOWNDRAFT COOKTOP
BLACK GLASS



PRODUCT FEATURES

COOKTOP

Maintop 4 induction zones

Heating zone power
Front Left 7"15/32 x 8"21/32 2100W (3700W booster)
Back Left 7"15/32 x 8"21/32 2100W (3700W booster)
Front Right 7"15/32 x 8"21/32 2100W (3700W booster)
Back Right 7"15/32 x 8"21/32 2100W (3700W booster)

Controls Digital touch-through-glass slide control

Bridge function Yes

DOWNDRAFT VENTILATION

Hood type Central downdraft

Speed 4 speeds

Filters type Aluminum filter

Extraction power 400 CFM

Sound level (min) 1.5 Sones

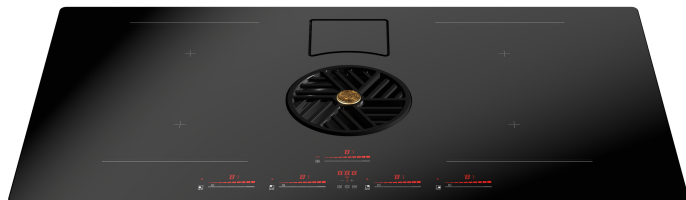
TECHNICAL SPECIFICATIONS

Electrical supply 208-240 V 60 HZ - 7400 W
35 Amp dedicated circuit

Power connection Hardwired

Certification UL

Packaging dimensions and weight
W 39 3/8"
H 21 1/2"
D 23 31/32"
93.0 lbs



Innovative surface cooking solution that integrates powerful induction cooking and effective aspiration.

Powerful yet flexible surface cooking with 4 heating zones delivering up to 3700 Watts each and 2 bridge areas for larger cookware.

Intuitive and immediate control of cooking and aspiration with the touch-through-glass user interface, including timer, overflow sensors and pot detection.

Effective aspiration through the central air capture funnel with airflow setting from 160 to 400 CFM.

Dishwasher- safe aluminum mesh grease filter

Ultra-quiet performance rated at 1.5 sones (lowest setting)

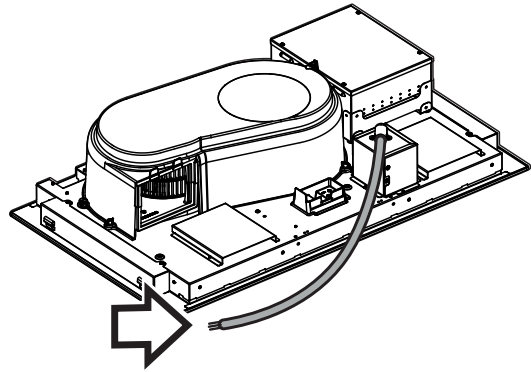
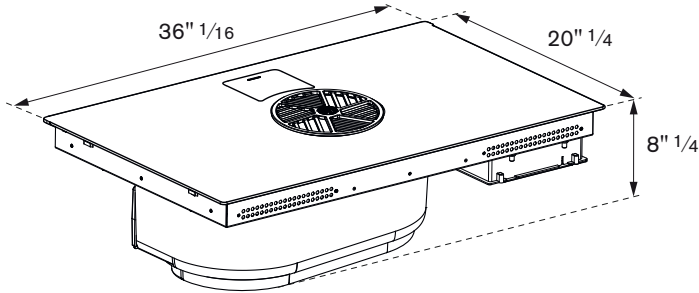
Can be installed vented or recirculated

Designed and manufactured with pride in Italy.

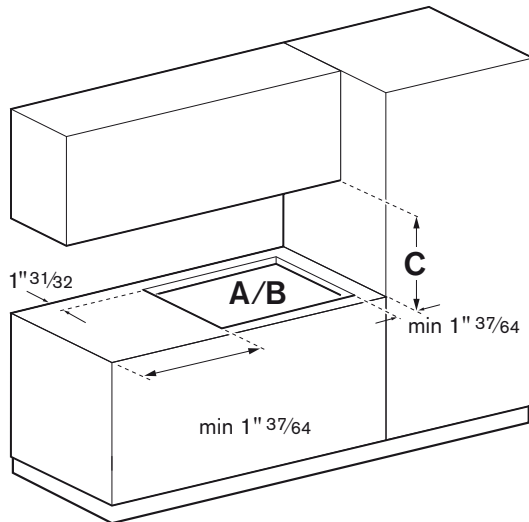
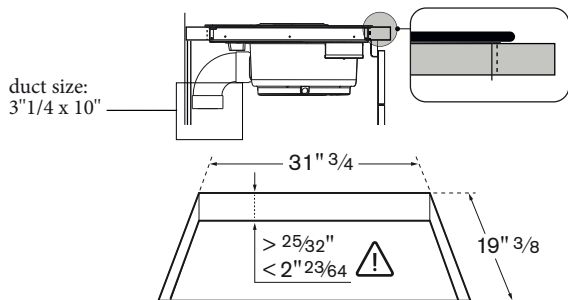
Industry leading 2 years parts and labor warranty.

PE364IDDNET

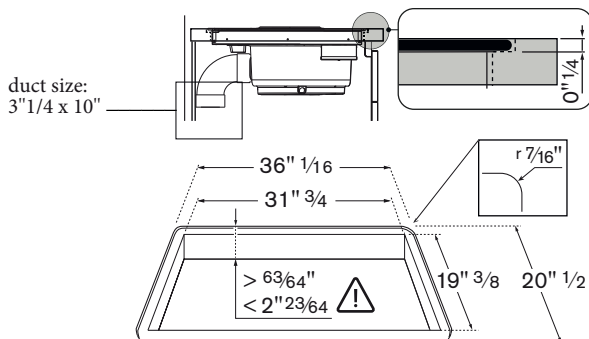
36" INDUCTION DOWNDRAFT COOKTOP
BLACK GLASS



A - Standard installation



B - Flush installation



C = 30" (76.2 cm) minimum clearance between top of cooktop platform and bottom of uncovered wood or metal cabinet. 24" [61 cm] minimum clearance if bottom of wood or metal cabinet is covered by not less than 1/4" [0.6 cm] flame retardant millboard covered with not less than 1/4" [0.6 cm] flame retardant millboard covered with not less than No. 28 MSG sheet steel, 0.015" [0.04 cm] stainless steel, or 0.024" [0.06 cm] aluminum or 0.020" [0.05 cm] copper).