

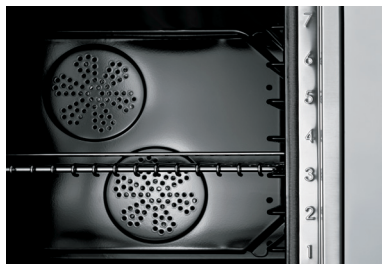
# BERTAZZONI PROFESSIONAL SERIES

## 30" DOUBLE OVEN FD30 PRO XV

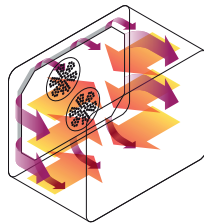


The Bertazzoni traditions of engineering excellence, culinary expertise and Italian design come alive in the Professional Series XV double oven. This exceptional Bertazzoni Professional Series wall oven is enhanced by the ergonomic metal knobs and touch controls. With nine functions, seven shelf positions the new Bertazzoni wall oven is the perfect partner for the ultimate user experience in your kitchen.

### DUAL DIAGONAL CONVECTION



Two large-blade fans positioned on the diagonal axis and subsidiary air vents at the top and bottom of the oven cavity provide balanced airflow and even heat distribution.



### HANDLE SOLUTION



Operate the soft-motion quadruple glass doors with the ergonomically shaped stainless steel handles.



TO COOK BEAUTIFULLY

# BERTAZZONI PROFESSIONAL SERIES

## 30" DOUBLE OVEN FD30 PRO XV

### FUNCTIONS



CONVECTION



BROILER



CONVECTION  
BROILER



CONVECTION  
BAKE



BAKE



TURBO



DEFROST  
DEHYDRATE



PROOFING



SELF CLEAN

### FEATURES

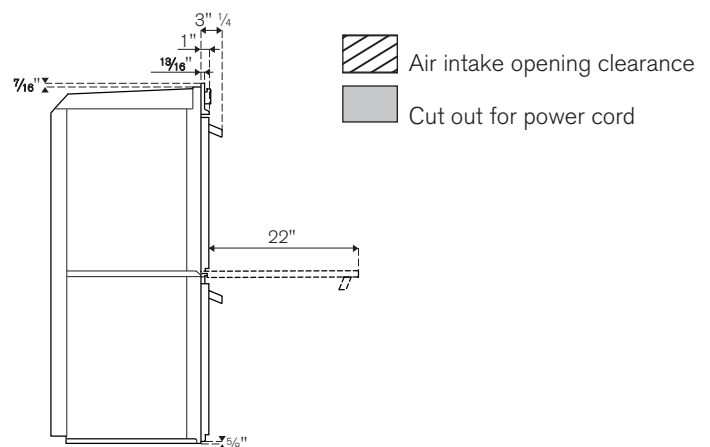
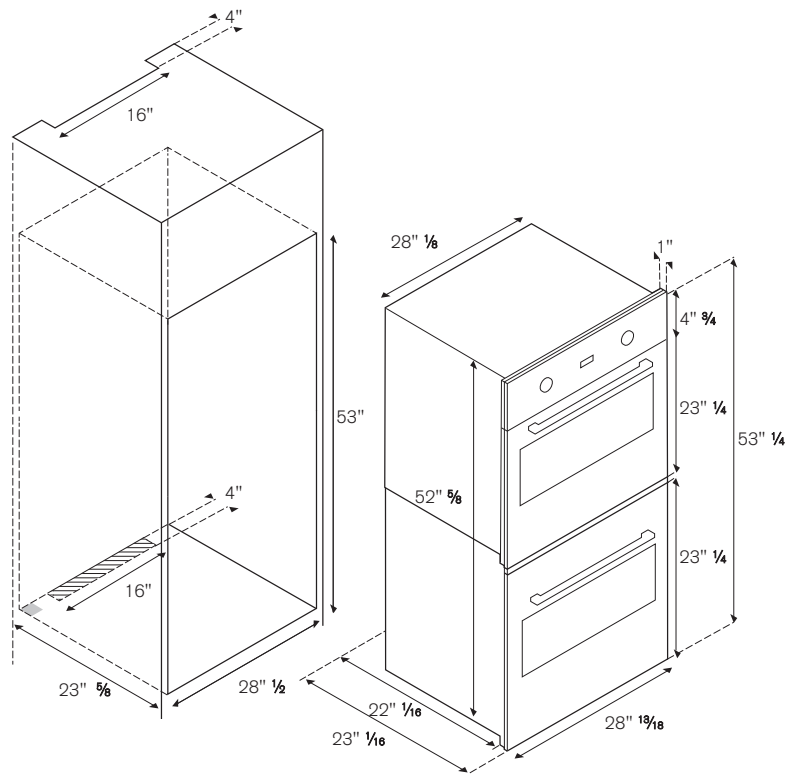
Oven type	electric convection self-clean
Oven broiler type	electric
Oven controls	LED touch interface
Inner oven door	quadruple glass
Door Hinge	soft motion
Oven handle	solid metal
Oven door finishing	stainless steel
Cavity finishing	pyrolytic black enamel
Convection System	dual diagonal
Oven levels	7
Wire shelves	2 heavy gauge
Tray	1 baking tray
Grill trivet for Trays	yes

### ACCESSORIES

30 Telescopic Slide Shelf	code TG
---------------------------	---------

### TECHNICAL SPECIFICATIONS

Voltage, frequency	120/208 Vac - 120/240 Vac, 60 Hz
Oven volume	4.1ft <sup>3</sup>
Max Amp usage, power rating	50 A - 11000 W
Certification	CSA
Warranty	2 years parts and labor



### INSTALLATION INSTRUCTIONS

Bertazzoni recommends to operate the appliance after it has been installed in a cabinet. The kitchen cabinets shall be made of materials capable of withstanding temperatures at least 117°F (65°C) above room temperature in order to avoid possible damage to the cabinets during oven usage. The appliance must be installed into cabinetry and be supported from underneath. The air intake opening at the bottom of the door must be left unobstructed. For a flush mount installation the surrounding cabinets doors should have the same thickness as the oven control panel (13/16" for all PRO models).

**Disclaimer:** while every effort has been made to insure the accuracy of the information contained in this brochure, Fratelli Bertazzoni reserves the right to change any part of the information at any time without notice.

Fratelli Bertazzoni, Bertazzoni and the winged wheel brand icon are registered trademarks of Bertazzoni Spa.

[bertazzoni.com](http://bertazzoni.com)