

# BERTAZZONI PROFESSIONAL SERIES

## 24" CONVECTION SPEED OVEN SO24 PRO X



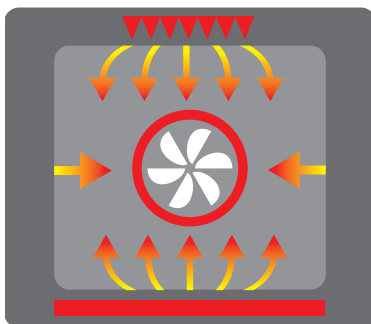
The Bertazzoni Professional Series speed oven combines convection baking, electric grill and microwave in one versatile unit. By combining baking and microwave functions, this powerful oven completes cooking cycles in half the time without compromising results. With its intuitive touch-control interface and family-sized capacity, this Bertazzoni speed oven often becomes the go-to oven in a busy kitchen. This beautiful oven installs flush with the cabinet doors and pairs perfectly with the Bertazzoni 24" convection oven F24PROXV.

### INTUITIVE CONTROLS



The user-friendly touch-control interface makes this oven the perfect partner for your every day cooking.

### PERFECT BAKING



The European convection system and 4 usable shelf positions ensure even heat roasting and baking on multiple levels with no flavor crossover.

### INTEGRATED DESIGN



All Bertazzoni ovens install flush with the cabinet doors and integrate seamlessly with specialty ovens and warming drawers in both vertical and horizontal combinations.



TO COOK BEAUTIFULLY

# BERTAZZONI PROFESSIONAL SERIES

## 24" CONVECTION SPEED OVEN SO24 PRO X

### FUNCTIONS



MICROWAVE



BROILER  
MICROWAVE



BROILER



CONVECTION  
BROILER



CONVECTION



CONVECTION  
MICROWAVE

### FEATURES

|                               |  |
|-------------------------------|--|
| <b>Oven type</b>              | combination electric convection and grill with microwave |
| <b>Oven grill type</b>        | electric   |
| <b>Oven controls</b>          | digital programmer                                       |
| <b>Inner oven door</b>        | double glass   |
| <b>Cooking modes</b>          | 5  |
| <b>Microwave power levels</b> | 0/200/400/600/800/1000 W                                 |
| <b>Auto cooking modes</b>     | 13 preset  |
| <b>Oven handle</b>            | solid metal  |
| <b>Oven door finishing</b>    | stainless steel  |
| <b>Cavity finishing</b>       | stainless steel  |
| <b>Convection system</b>      | European ring heating element                            |
| <b>Oven levels</b>            | 2  |
| <b>Tray</b>                   | 1 glass turntable  |
| <b>Grill trivet for trays</b> | yes  |

### ACCESSORIES

**Installation with side trim panel** code TR30 PRO SO

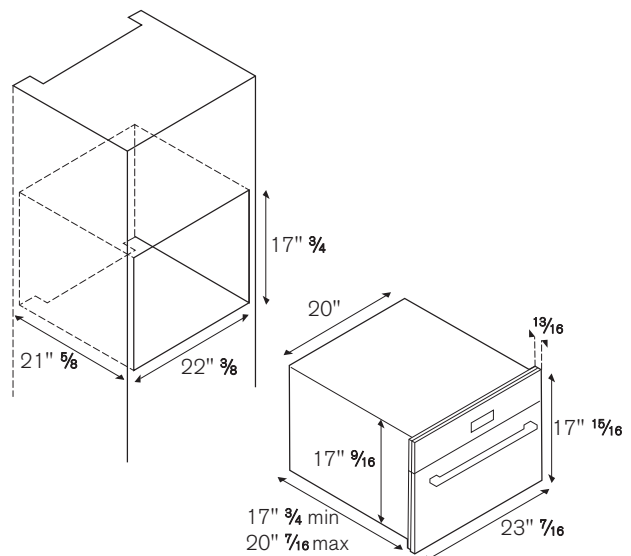
Trim kit available as optional accessory in case of a 30" width installation.

### TECHNICAL SPECIFICATIONS

|                           |                         |
|---------------------------|-------------------------|
| <b>Voltage, frequency</b> | 208-230 V/60Hz          |
| <b>Oven volume</b>        | 1.34 ft <sup>3</sup>    |
| <b>Max Amp Usage</b>      | 20 A - 3850 W           |
| <b>Certification</b>      | UL                      |
| <b>Warranty</b>           | 2 years parts and labor |

### INSTALLATION INSTRUCTIONS

Bertazzoni recommends to operate the appliance after it has been installed in a cabinet. The kitchen cabinets shall be made of materials capable of withstanding temperatures at least 117°F (65°C) above room temperature in order to avoid possible damage to the cabinets during oven usage. For further installation instructions refer to the installation manual.



For any combinations of built-in models, please see related installation drawings

**Disclaimer:** while every effort has been made to insure the accuracy of the information contained in this brochure, Fratelli Bertazzoni reserves the right to change any part of the information at any time without notice.

Fratelli Bertazzoni, Bertazzoni and the winged wheel brand icon are registered trademarks of Bertazzoni Spa.