

# BERTAZZONI PROFESSIONAL SERIES

## 30" WARMING DRAWER

### PRO WD30 X

#### HIGHLIGHTS

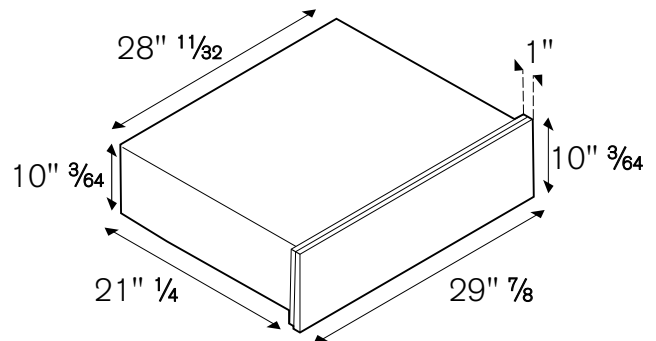
- The Bertazzoni Professional Series Warming Drawer serves many functions, from warming up serving platters and dishes to keeping food warm prior or during the meal. Opening and closing the extra-large, ceramic-finished drawer is a snap thanks to the extra smooth glides and soft-motion closing mechanism.

#### FEATURES

<b>Design</b>	stainless steel
<b>Handle</b>	professional handle
<b>Controls</b>	soft close operation
<b>Equipment</b>	lateral convection, thermostat light, glass bottom
<b>Loading Capacity</b>	66 lb
<b>Max Temperature</b>	85 - 170 °F

#### TECHNICAL SPECIFICATIONS

<b>Electrical requirements</b>	120 V, 60 HZ, 10 A
<b>Power rating</b>	400 W
<b>Certification</b>	cETLus
<b>Warranty</b>	2 years parts and labor



For any combinations of built-in models, please see related installation drawings



TO COOK BEAUTIFULLY  
WWW.BERTAZZONI.COM

**Disclaimer:** while every effort has been made to insure the accuracy of the information contained in this brochure, Fratelli Bertazzoni reserves the right to change any part of the information at any time without notice.

Fratelli Bertazzoni, Bertazzoni and the winged wheel brand icon are registered trademarks of Bertazzoni Spa.

WWW.BERTAZZONI.COM