

# HER365ICFEPXT

HERITAGE SERIES INDUCTION RANGE 36" - 5 HEATING ZONES + CAST-IRON GRIDDLE - SELF-CLEAN OVEN - STAINLESS STEEL FINISH



## Exclusive Finish and Materials

The exclusive color finish and metal trim pieces of this range is inspired by Italian style and craftsmanship and by the company heritage. Metal knobs and handles make the range a standout in every kitchen. Stainless toe-kick included with the range. Optional Décor Sets knobs and handles in contrasting metals - gold, copper and black nickel - for aesthetic customization.

## Bertazzoni signature counter-deep maintop

Bertazzoni signature stainless counter-deep maintop is designed to install flush with most kitchen countertops for a perfectly integrated look. Precise and flexible heating is provided by 5 latest generation extra-large induction zones with bridging of right-side zones. A large, removable cast-iron griddle is included.

## Extra large oven with dual convection

The 5.7 cu.ft electric self-clean oven with dual diagonal convection allows even baking and roasting on 7 shelf levels. Bertazzoni ovens are equipped with an extra-large high-power broiler for broiling and grilling.

## Advanced programming and controls for the oven

The elegant digital gauge gives precise control of oven temperature during pre-heating, roasting and baking, and has integrated controls for the food temperature probe. This range comes with a dedicated air-frying mode for healthier cooking, to be used with the included stainless steel mesh basket.

## Best-in-class features and design

The soft-close oven door with edge-to-edge tempered glass is a masterpiece of European engineering and makes the oven door very easy to wipe clean. Convenient smooth-glide telescopic racks on 2 levels help loading and unloading the oven.

## GENERAL CHARACTERISTICS

|                   |   |
|-------------------|---|
| Worktop           | 5 induction zones                               |
| Front right       | 2100W (3700W booster)                           |
| Front left        | 1400W (2200W booster)                           |
| Center            | 2300W (3700W booster)                           |
| Back right        | 2100W (3700W booster)                           |
| Back left         | 2300W (3700W booster)                           |
| Knobs             | Solid metal                                     |
| Cooking modes     | 10  |
| Tray              | 1 baking tray w/grill trivet + 1 air fry basket |
| Shelves           | 2 heavy duty                                    |
| Levels            | Laterals grids                                  |
| Telescopic guides | 2 sliding guides                                |
| Inner door        | Squared 3 glasses                               |
| Door hinges       | Soft closing                                    |
| Legs              | ø 2 3/8 inches stainless steel                  |

## TECHNICAL SPECIFICATIONS

|                         |  |
|-------------------------|--|
| Electrical requirements | 120/208 V 60HZ - 15600W<br>120/240 V 60HZ - 17000W<br>50A with dedicated circuit |
| Warranty                | 2 years parts & labor  |
| Packaging dimensions    | H:42 1/8 W:40 9/16 D:29 15/16  |

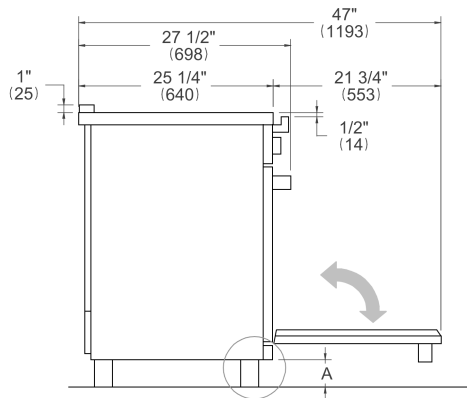
# HER365ICFEPXT

HERITAGE SERIES INDUCTION RANGE 36" - 5 HEATING ZONES + CAST-IRON GRIDDLE  
 - SELF-CLEAN OVEN - STAINLESS STEEL FINISH

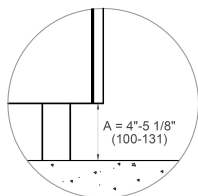


## DIMENSIONS

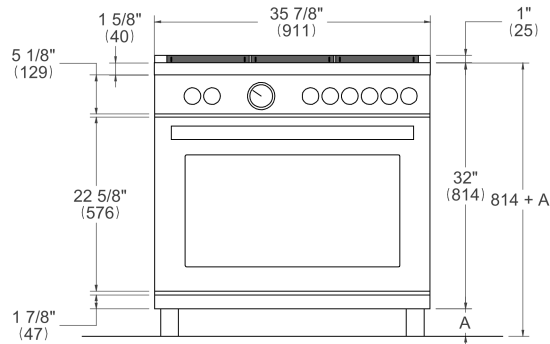
SIDE VIEW



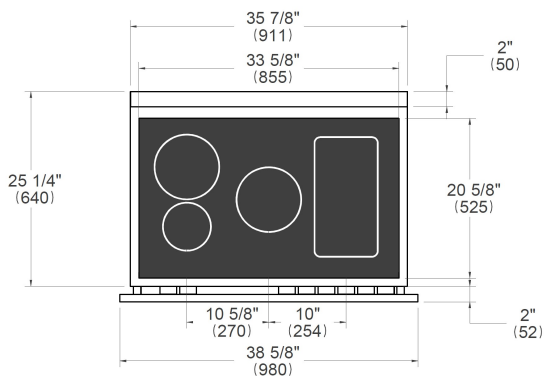
LEG DETAILS



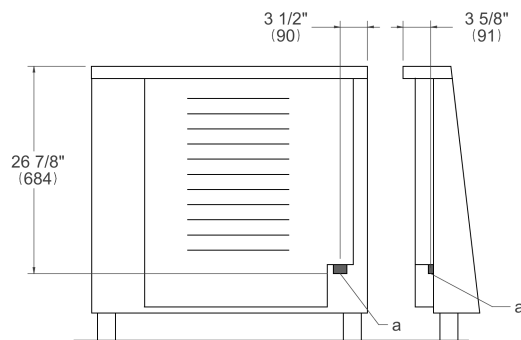
FRONT VIEW



WORKTOP DETAILS

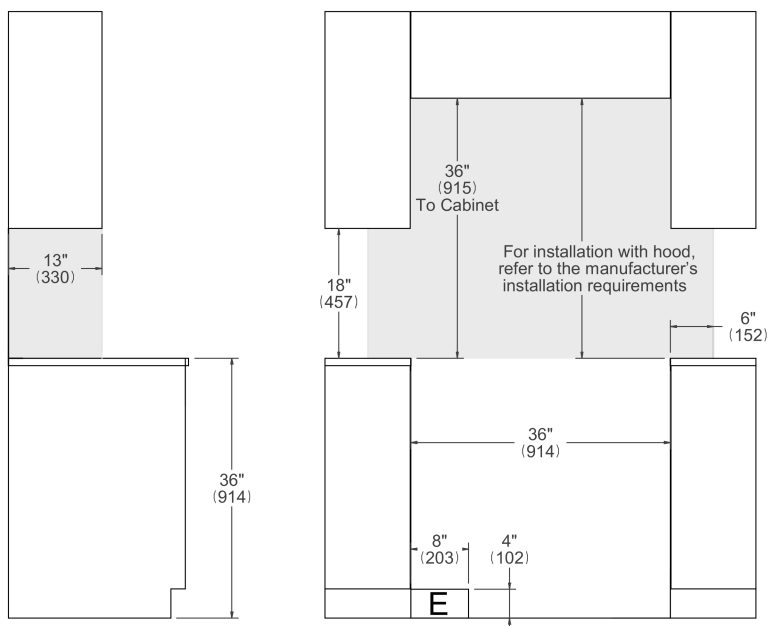


REAR VIEW



## INSTALLATION

**E** A properly-grounded horizontally mounted electrical receptacle should be installed no higher than 3" (7.6 cm) above the floor, no less than 2" (5 cm) and no more than 8" (20,3 cm) from the left side (facing product). Check all local code requirements.



### NOTE

- a. Electrical Connection
- b. Gas Connection

Disclaimer: while every effort has been made to insure the accuracy of the information contained in this document, Fratelli Bertazzoni reserves the right to change any part of the information at any time without notice. For detailed installation specifications consult the installation manual. Fratelli Bertazzoni, Bertazzoni and the winged wheel brand icon are registered trademarks of Bertazzoni Spa.