

MAST365INMXE

MASTER SERIES INDUCTION RANGE 36" 5 HEATING ZONES
ELECTRIC OVEN - STAINLESS STEEL FINISH



Counter-deep maintop for flush installation with kitchen countertops and cabinets

Maintop with 5 latest generation extra-large induction zones and bridging of right-side zones

5.9 cu.ft electric oven with dual horizontal convection fans for even baking and roasting on 7 shelf levels

6-pass electric broiler for broiling and grilling, with optional convection

Elegant electronic gauge for control of oven temperature during pre-heating and baking

Oven door with edge-to-edge tempered glass and soft-motion hinges

MAINTOP FEATURES

Maintop	5 induction heating zones
Power	Front Left ø 5 3/4" 1400W (2200W booster) Back Left ø 8 1/4" 2300W (3700W booster) Center ø 8 1/4" 2300W (3700W booster) Front Right Bridge 2100W (3700W booster) Back Right Bridge 2100W (3700W booster)

Bridge function Yes - Front Right + Back Right 7400W

Knobs Metal

Included accessories 1" stainless steel island trim

OVEN FEATURES

Oven type Electric oven

Power rating Bake: Bottom 1600W
Bake: Top 1200W
Broiler: 2700W
Convection: 2 x 1200W

Oven volume 5.9 cu.ft

Convection Dual horizontal fans

Functions Fast preheat - Bake - Bottom Bake
Upper bake - Convection - Convection
Bake - Broil - Convection Broil - Pizza

Self clean No

Oven door Tempered edge-to-edge triple glass

Oven door hinges Soft-motion

Included accessories 2 wire shelves
Baking tray with grill trivet

TECHNICAL SPECIFICATIONS

Electrical supply 120/240V 60 Hz – 15000W
120/208V 60Hz – 14000W
40 Amp dedicated circuit

Power connection NEMA 14-50P plug with 59" cord

Certification CSA

Warranty 2 years parts & labor

OPTIONAL ACCESSORIES

TKP36X Toe kick

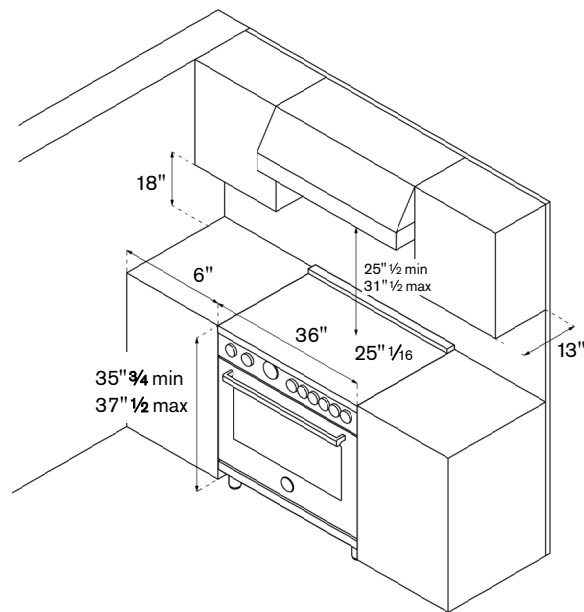
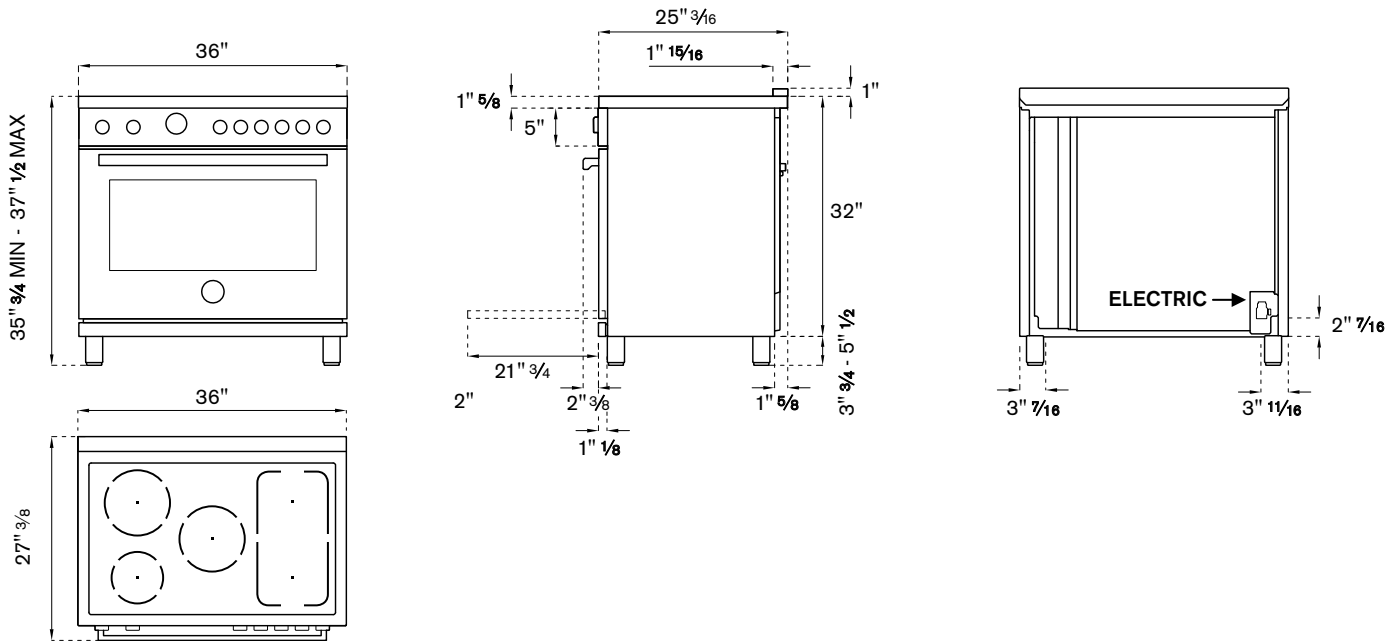
901471 Set of telescopic glides for oven rack

901272 Bertazzoni white porcelain baking dish

BGH36 4" backguard

MAST365INMXE

MASTER SERIES INDUCTION RANGE 36" 5 HEATING ZONES
ELECTRIC OVEN - STAINLESS STEEL FINISH



Side Clearance Requirements:

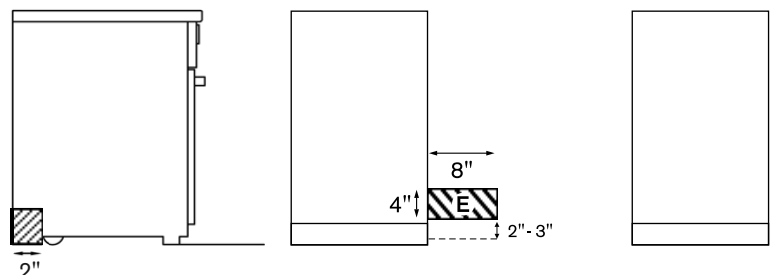
- 6" min clearance from edge of mantop.
- Overhead Cabinet: 18" min height above countertop
- 13" max depth.

Ventilation Hood Clearance:

Ventilation Hood Clearance:
recommended height 25 ¹/₂" – 31 ¹/₂"
above cooking surface.

ELECTRICAL LINE

A properly-grounded horizontally- mounted electrical receptacle should be installed no higher than 3" (7.6 cm) above the floor, no less than 2" (5 cm) and no more than 8" (20,3 cm) from the left side (facing product). Check all local code requirements.



Installation clearance available behind range

Electrical Installation Location

Disclaimer: while every effort has been made to insure the accuracy of the information contained in this document, Fratelli Bertazzoni reserves the right to change any part of the information at any time without notice. For detailed installation specifications consult the installation manual. Fratelli Bertazzoni, Bertazzoni and the winged wheel brand icon are registered trademarks of Bertazzoni Spa.