
BERTAZZONI
INSTALLATION MANUAL & USER

GAS COOKTOP



TABLE OF CONTENTS

INSTALLATION	4
WARNINGS	4
DATA RATING LABEL	6
BEFORE INSTALLATION	6
VENTILATION PREPARATION	7
SPECIFICATIONS	7
CLEARANCE DIMENSIONS	9
INSTALLATION REQUIREMENTS	10
Electrical	10
Gas	10
ELECTRICAL CONNECTION	10
WIRING DIAGRAM	11
GAS CONNECTION	12
Manual shut-off valve	12
Flexible connections	12
Pressure test-point stopper valve	12
Pressure regulator	13
INSTALLATION	14
Unpackaging the rangetop	14
Installing the worktop frontguard	14
Installing the island trim	15
Installing backguard (optional)	15
GAS CONVERSION	16
INSTALLATION CHECKLIST	18
FINAL PREPARATION	18
BERTAZZONI SERVICE	19
USER	20
WARNINGS	20
WORKTOP AND KNOBS LAYOUT	22
GAS COOKTOP	23
ELECTRIC GRIDDLE	25
KEEPING YOUR BERTAZZONI CLEAN	26
TROUBLESHOOTING	27
TWO YEARS LIMITED WARRANTY	28

Models

MAST366QBXT

MAST365QBXT

MAST365QXE

PROF366QBXT

PROF365QBXT

PROF365QXE

MAST304QBXT

MAST304QXE

PROF304QBXT

PROF304QXE

Models

WARNINGS

To ensure proper and safe operation, the appliance must be properly installed and grounded by a qualified technician. DO NOT attempt to adjust, repair, service, or replace any part of your appliance unless it is specifically recommended in this manual. All other servicing should be referred to a qualified servicer. Have the installer show you the location of the gas shutoff valve and how to shut it off in an emergency. A certified technician is required for any adjustments or conversions to Natural or LP gas.

FOR THE INSTALLER: Before installing the Bertazzoni appliance, please read these instructions carefully. This appliance shall be installed in accordance with the manufacturer's installation instructions.

IMPORTANT: Leave these instructions with the owner, who should save them for local inspector's use and for future reference. DO NOT remove permanently affixed labels, warnings, or plates from product. This may void the warranty.

Installation must conform with all local codes. In the absence of codes:

- United States: installation must conform with the National Fuel Gas Code ANSI Z223.1 NFPA54
- Massachusetts: All gas products must be installed by a "Massachusetts" licensed plumber or gasfitter. A "T" type handle manual valve must be installed in the gas supply line to the appliance.
- Canada: Installation must be in accordance with the current CAN/CGA B149.1 & 2 Gas Installation codes and/or local codes. Electrical installation must be in accordance with the current CSA C22.1 Canadian Electrical Codes Part 1 and/or local codes.

This cooktop is NOT designed for installation in manufactured (mobile) homes or recreational park trailers.

DO NOT install this range outdoors.

This appliance must be properly grounded. Grounding reduces the risk of electric shock by providing a safe pathway for electric current in the event of a short circuit.

Warning!

To avoid risk of property damage, personal injury or death; follow information in this manual exactly to prevent a fire or explosion.

WARNING!

If the information in these instructions is not followed exactly, a fire or explosion may result causing property damage, personal injury or death.

- Do not store or use gasoline or other flammable vapors and liquid in the vicinity of this or any other appliance.
- **WHAT TO DO IF YOU SMELL GAS**
 - Do not try to light any appliance.
 - Do not touch any electrical switch.
 - Do not use any phone in your building.
 - Immediately call your gas supplier from a neighbor's phone. Follow the gas supplier's instructions.
 - If you cannot reach your gas suppliers, call the fire department.
- Installation and service must be performed by a qualified installer, service agency or the gas supplier

WARNING!

Never Operate the Top Surface Cooking Section of this Appliance Unattended.

- Failure to follow this warning statement could result in fire, explosion, or burn hazard that could cause property damage, personal injury, or death.
 - If a fire should occur, keep away from the appliance and immediately call your fire department.
- DO NOT ATTEMPT TO EXTINGUISH AN OIL/GREASE FIRE WITH WATER**

DANGER!!! ELECTRIC SHOCK HAZARD!!!

To avoid risk of electrical shock, personal injury or death, verify that the appliance has been properly grounded in accordance with local codes or in absence of codes, with the National Electrical Code (NEC). ANSI/NFPA 70- latest edition.

DANGER!!! GAS LEAK HAZARD!!!

To avoid risk of personal injury or death, leak-testing of the appliance must be conducted according to the manufacturer's instructions. Before placing appliance in operation, always check for gas leaks with water and soap solution.

DO NOT USE AN OPEN FLAME TO CHECK FOR GAS LEAKS.



WARNING:

Cancer and Reproductiv Harm-
www.P65Warnings.ca.gov.

DATA RATING LABEL

The data rating label shows the model and serial number of the cooktop. It is located under the range-top and in the last page of this manual.

BEFORE INSTALLATION

- This appliance shall only be installed by an authorized professional.
- This appliance shall be installed in accordance with the manufacturer's installation instructions.
- This appliance must be installed in accordance with the norms & standards of the country where it will be installed.
- The installation of this appliance must conform to local codes and ordinances. In the absence of local codes, Installations must conform to American National Standards, National Fuel Gas Code ANSI Z223.1 – latest edition/NFPA 54 or B149.1.
- The appliance, when installed, must be electrically grounded in accordance with local codes or, in the absence of local codes, with the National Electrical Code, ANSI/NFPA 70.

If local codes permit, a flexible metal appliance connection conduit with the new AGA or CGA certified design, max. 5 feet (1,5 m) long, 1/2" I.D. is recommended for connecting this appliance to the gas supply line. Do not bend or damage the flexible connector when moving the appliance.

This appliance must be used with the pressure regulator provided.

The regulator shall be properly installed in order to be accessible when the appliance is installed in its final location. The pressure regulator must be set for the type of gas to be used. The pressure regulator has 1/2" female pipe thread. The appropriate fitting must be determined based on the size of your gas supply line, the flexible metal connector and the shutoff valve.

The appliance must be isolated from the gas supply piping system by closing its individual manual shutoff valve during any pressure testing of the gas supply piping system at test pressures equal to or less than 1/2 PSI (13,8" w.c. or 3,5 kPa).

All opening and holes in the wall and floor, back and under the appliance shall be sealed before installation of the appliance.

A manual valve shall be installed in an accessible location in the gas line external to the appliance for the purpose of turning on or shutting off gas to the appliance.

Type of gas

This cooktop can be used with Natural or LP/Propane gas. The range is shipped from the factory for use with the gas indicated on the rating label positioned on the lower face of the control panel and in the last page of this manual. A step by step conversion procedure is also included in this manual and in each conversion kit.

Gas pressure

The maximum inlet gas supply pressure incoming to the gas appliance pressure regulator is 1/2 PSI (13,8" iwc or 3,5 kPa). The minimum gas supply pressure for checking the regulator setting shall be at least 1" iwc (249 Pa) above the inlet specified manifold pressure to the appliance; this operating pressure is 4" iwc (1.00 kPa) for Natural Gas and 10" iwc (2.50 kPa) for LP Gas.

Room ventilation

An exhaust fan may be used with the appliance; in each case it shall be installed in conformity with the appropriate national and local standards. Exhaust hood operation may affect other vented appliances; in each case it shall be installed in conformity with the appropriate national and local standards.

Warning

This appliance should not be installed with a ventilation system that directs air in a downward direction toward the range. This type of ventilation system may cause ignition and combustion problems with the appliance resulting in personal injury, property damage, or unintended operation. Ventilating systems that direct the air upwards do not have any restriction.

Do not use aerosol sprays in the vicinity of this appliance while it is in operation.

VENTILATION PREPARATION

This cooktop will best perform when installed with Bertazzoni exhaust hoods. These hoods have been designed to work in conjunction with the Bertazzoni cooktop and have the same finish for a perfect look.

Before installation of the exhaust hood, consult local or regional building and installation codes for additional specific clearance requirements.

Refer to the cooktop hood installation instructions provided by the manufacturer for additional information.

Select Hood and Blower Models:

- For wall installations, the hood should be equal or larger width than the cooktop. Where space permits, a hood larger than the range may be desirable for improved ventilation performance.
- For island installations, the hood width should overhang the cooktop by a minimum of 3" (76 mm) on each side.

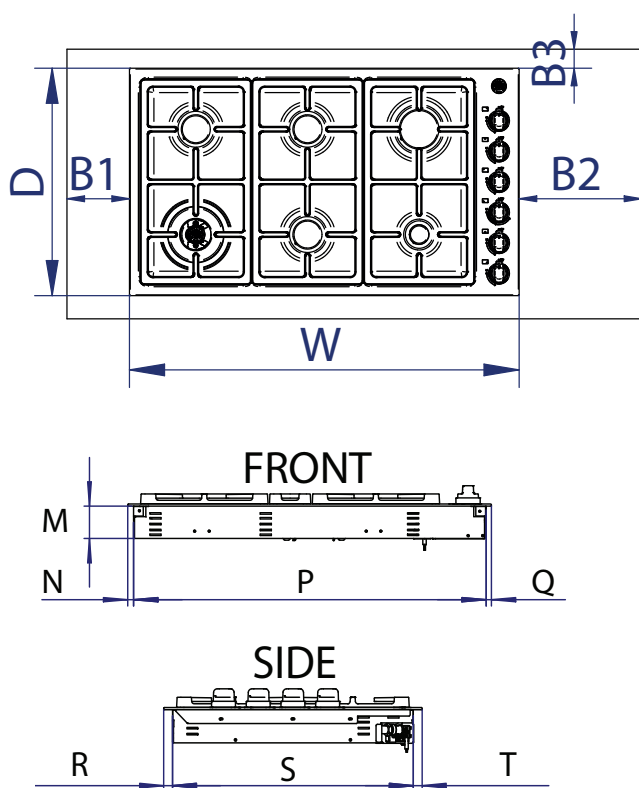
Hood Placement:

- For best removal of smoke and odors, the lower edge of the hood should be installed between 25 1/2" (65 cm) and 31 1/2" (80 cm) above the range cooking surface.
- If the hood contains any combustible materials (i.e. a wood covering), it must be installed at a minimum of 36" (914 mm) above the cooking surface.

Consider Make-Up Air:

Due to the high volume of ventilation air, a source of outside replacement air is recommended. This is particularly important for tightly sealed and insulated homes. A qualified heating and ventilating contractor should be consulted.

SPECIFICATIONS



	cooktop 30"	cooktop 36"
M	2" 5/8 (6,6 cm)	2" 5/8 (6,6 cm)
N	1/2" (1,2 cm)	3/4" (1,9 cm)
P	28" 9/16 (72,5 cm)	35" 1/4 (89,5 cm)
Q	7/16" (1,1 cm)	7/16" (1,1 cm)
R	3/4" (1,8 cm)	3/4" (1,8 cm)
S	19" 13/16 (50,3 cm)	19" 13/16 (50,3 cm)
T	3/4" (1,8 cm)	3/4" (1,8 cm)

	W	D	B1 - B2	B3
cooktop 30"	29" 7/16 (74,8 cm)	21" 1/4 (54 cm)	6" (15,2 cm)	1" 3/4 (4,5 cm)
cooktop 36"	36" 7/16 (92,5 cm)	21" 1/4 (54 cm)	6" (15,2 cm)	1" 3/4 (4,5 cm)

Burner	Injector	Gas	Pressure	Max Rate		Min Rate		By-pass
	diam.[mm]	Type	[iwc]	[Btu/hr]	[W]	[Btu/hr]	[W]	diam.[mm]
Auxiliary	0.92	NG	4"	3,750	1,098	900	264	Regulated
	0.56	LP (Propane)	10"	3,750	1,098	900	264	0.29
Semi-rapid	1.17	NG	4"	6,000	1,729	1,500	439	Regulated
	0.73	LP (Propane)	10"	6,300	1,845	1,500	439	0.37
Rapid	1.55	NG	4"	10,400	2,046	3,700	1,084	Regulated
	0.98	LP (Propane)	10"	11,400	3,339	3,700	1,084	0.58
Dual burner	0.80+1.30	NG	4"	17,000	4,980	900	264	Regulated
	0.50+0.83	LP (Propane)	10"	18,800	5,507	900	264	0.29/0.65

See use and care manual for the layout of the surface burners of your rangetop

Cabinet Preparation

1. To ensure professional results, the cabinet and countertop openings should be prepared by a qualified cabinet worker.

2. The clearances shown in figure are required.

3. The gas and electrical supply must be located in an area that is accessible without requiring removal of the cooktop. The appliance electrical power cord and gas pipe connection are located on the left rear.

- Prepare the finished opening for the rangetop according to dimensions shown in the illustration on the follows page.
- The platform must include a cut-out at the right rear for electrical and gas supply connections. It must be level to ensure the cooking surface is level. Refer to the chart below for minimum base support.

CLEARANCES DIMENSIONS

Installation adjacent to kitchen cabinets

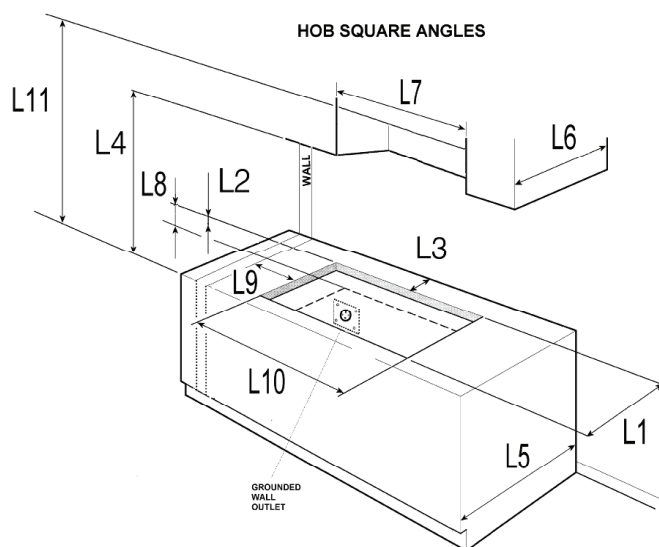
This cooktop may be installed directly adjacent to existing countertop high cabinets (36" or 91.5 cm from the floor).

For the best look, the worktop should be level with the cabinet countertop. This can be accomplished by raising the unit using the adjustment spindles on the legs.

ATTENTION: the cooktop CANNOT be installed directly adjacent to kitchen walls, tall cabinets, tall appliances, or other vertical surfaces above 36" (91.4 cm) high. The minimum side clearance in such cases is 6" (15.2 cm).

Wall cabinets with minimum side clearance must be installed 18" (45.7 cm) above the countertop with countertop height between 35 1/2" (90.2 cm) and 37 1/4" (94.6 cm). The maximum depth of wall cabinets above the rangetop shall be 13" (33.0 cm).

Cabinet

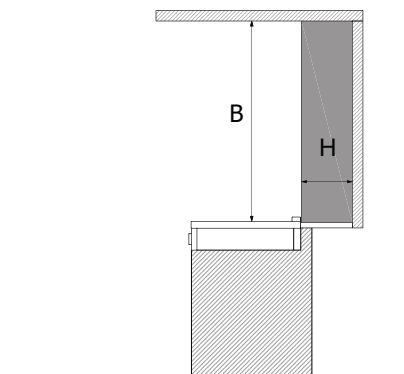


	COOKTOP 30"	COOKTOP 36"
L1	20" 1/2 (52 cm)	20" 1/2 (52cm)
L2	1" 9/16 (4 cm)	1" 9/16 (4cm)
L3	2" 3/16 (5,5cm)	2" 3/16 (5,5cm)
L4	18" (45,7cm)	18" (45,7cm)
L5	25" 3/16 (64 cm)	25" 3/16 (64 cm)
L6	13" (33cm)	13" (33cm)
L7	29" 7/16 (74,8cm)	36" 7/16 (92,5 cm)
L8	3" 1/8 (8cm)	3" 1/8 (8cm)
L9	6" 1/4 (16cm)	6" 9/16 (16,6cm)
L10	28" 15/16 (73,5cm)	35" 5/8 (90,5cm)
L11	36" (91,5cm)	36" (91,5cm)

Metal hood

B min 25" 1/2 (65 cm)

H min 12" (30,50 cm)



Shaded area behind cooktop indicates minimum clearance to combustible surfaces, combustible materials cannot be located within this area.

12" (305 mm) min. to combustible surface with Flush Island Trim

For Flush Island installations, counter surface should have a cantilever edge meeting the back section of the Flush Island Trim accessory.

As defined in the "National Fuel Gas Code" (ANSI Z223.1, Current Edition).

Clearances from non-combustible materials are not part of the ANSI Z21.1

scope and are not certified by CSA. Clearances of less than 12" (305 mm) must be approved by the local codes and/or by the local authority having jurisdiction.

TECHNICAL INSTALLATION INSTRUCTIONS

INSTALLING THE HOB ABOVE AN OVEN

The clearance between the hob and the kitchen furniture or other installed appliances must be enough to ensure sufficient ventilation and air discharge.

If installed above an oven, space must be left between the bottom of the hob and the top of the product installed below to allow for ventilation of the entire compartment (see figure).

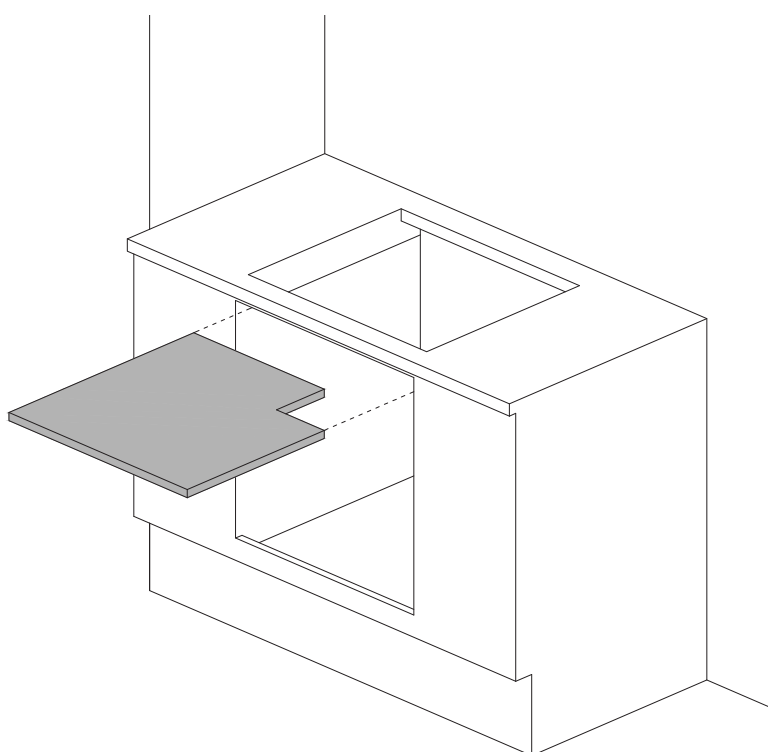
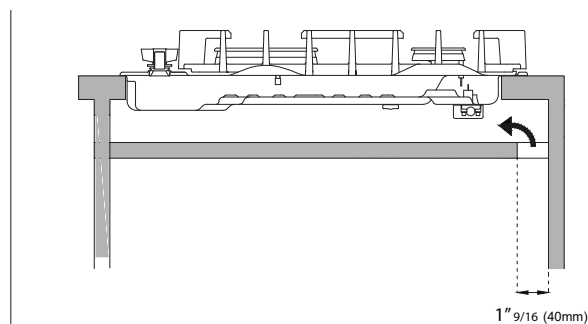
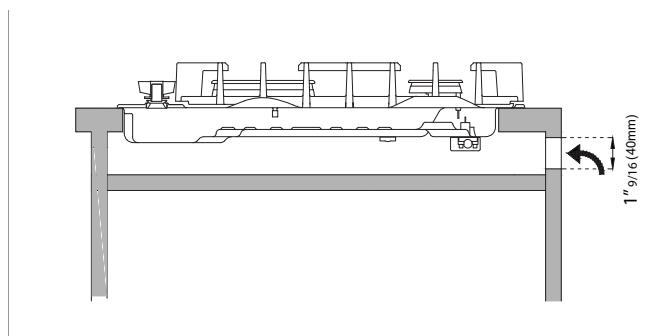
The oven must be equipped with a cooling device. The manufacturer shall bear no liability in the event of the hob being installed in combination with an oven from another manufacturer.

The countertop must be able to withstand temperatures up to 300°F (149°C).

INSTALLING THE HOB ABOVE A CUPBOARD OR DRAWERS

The clearance between the hob and the kitchen units must be enough to ensure sufficient ventilation and air discharge. If there are other units/furniture (side walls, drawers, etc.), dishwashers or fridges under the hob, a double-layer wooden base must be installed at least 20 mm from the bottom of the hob to avoid any accidental contact. It must only be possible to remove the double-layer base using special tools.

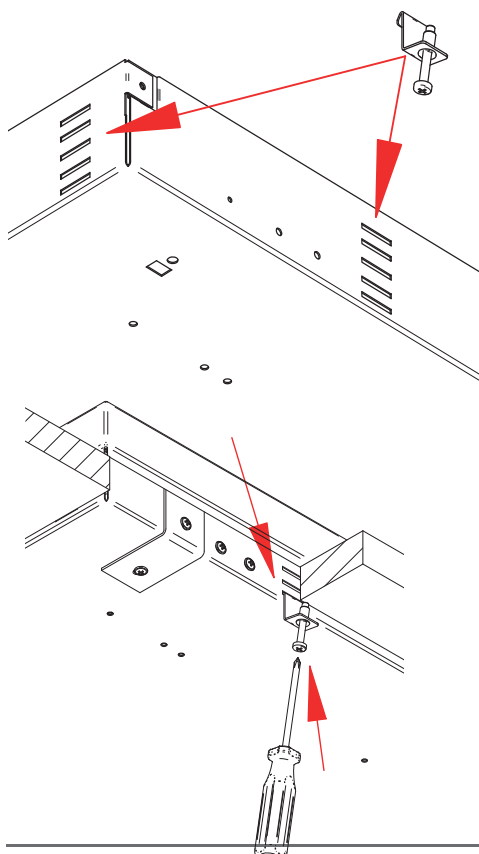
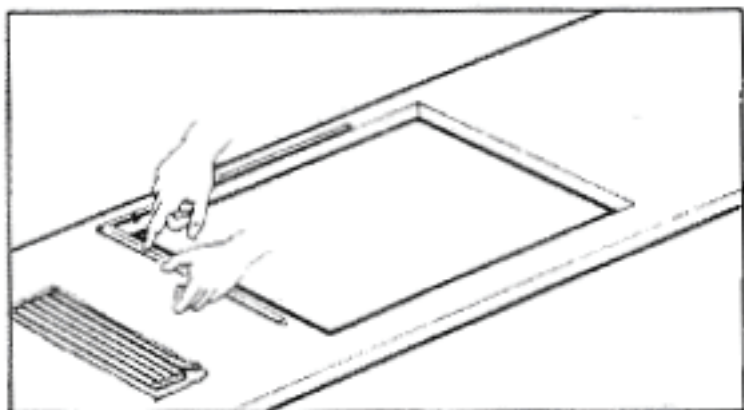
The countertop must be able to withstand temperatures up to 300°F (149°C).



HOB FASTENING

In order to prevent accidental water ingress into the unit below, the appliance is fitted with a special gasket.

- 1) Lay out the protective sealing strips along the edges of the opening in the bench top and carefully overlap the strip end.
- 2) Insert the hotplate into the bench top opening.
- 3) With a screwdriver assemble the brackets A to the hotplate bottom by means of the screws.
- 4) Slide the hooks into position and secure them with the screws.
- 5) Trim the part of the sealing strips which extend beyond the hotplate base



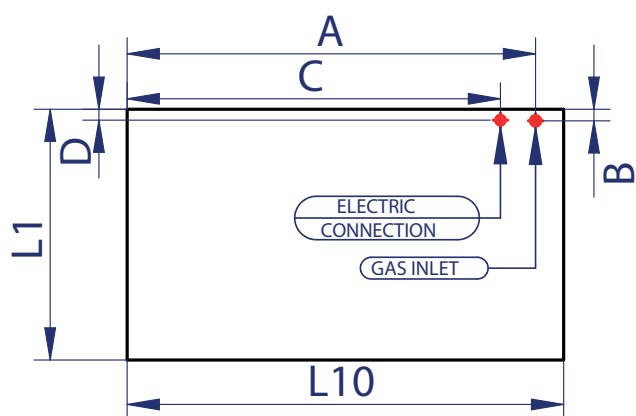
INSTALLATION REQUIREMENTS

ELECTRICAL

A properly-grounded horizontally-mounted electrical receptacle should be installed. Check all local code requirements.

GAS

An agency-approved, properly-sized manual shut-off valve should be installed. To connect gas between shut-off valve and regulator, use agency-approved, properly sized flexible or rigid pipe. Check all local code requirements.



	COOKTOP 30"	COOKTOP 36"
A	26"5/8(677mm)	33"5/16(847mm)
B	15/16(24mm)	15/16(24mm)
C	23"3/4(604mm)	30"1/2(774mm)
D	7/8(23mm)	7/8(23mm)
L1	20"1/2(520mm)	20"1/2(520mm)
L10	28"15/16(735mm)	35"5/8(905mm)

ELECTRICAL CONNECTION

Warning!
ELECTRICAL SHOCK HAZARD
 Disconnect electrical power at the circuit breaker box or fuse box before installing the appliance.
 Provide appropriate ground for the appliance.
 Use copper conductors only.
 Failure to follow these instructions could result in serious injury or death.

This unit is manufactured for a polarized, grounded 120 volt/60 Hz, 16 amp system. Electric power consumption is about 200 W for 36", 1200W for 48". The minimum of 102 VAC is required for proper operation of gas ignition systems. The circuit must be grounded and properly polarized. The unit is equipped with a SJT power cord and a NEMA 5-15P plug. In case of replacement, the power cord shall be replaced with one of the same type, size and length.

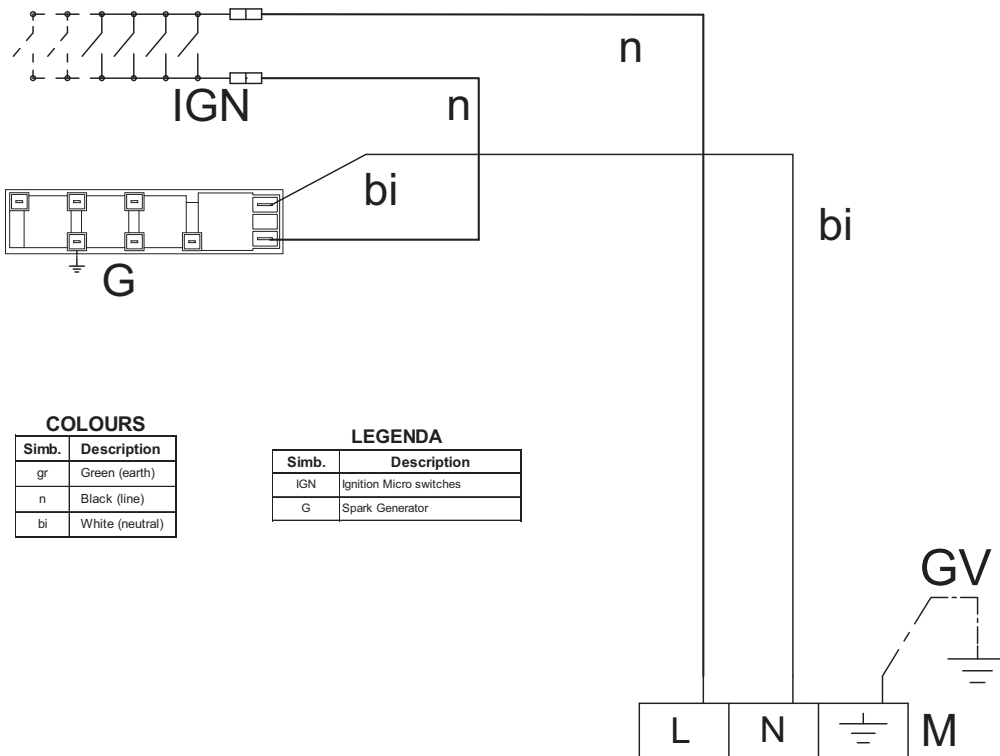
Warning!
Electrical grounding
 This appliance is equipped with a three-prong plug for your protection against shock hazard and should be plugged directly into a properly grounded socket. Do not cut or remove the grounding prong from this plug.

Caution
 Label all wires prior to disconnecting when servicing controls. Wiring errors can cause improper and dangerous operation. Verify proper operation after servicing.

For appliances equipped with a cord and plug, do not cut or remove the ground prong. It must be plugged into a matching grounding type receptacle to avoid electrical shock. If there is any doubt as to whether the wall receptacle is properly grounded, the customer should have it checked by a certified electrician. Do not use an extension cord with the gas cooktop. Plan the installation so that the power connection is accessible from the front of the cabinet.

WIRING DIAGRAM

The electric wiring diagrams and schematics are attached behind the rangetop, and should not be removed except by a service technician, then replaced after service.



COLOURS

Simb.	Description
gr	Green (earth)
n	Black (line)
bi	White (neutral)

LEGENDA

Simb.	Description
IGN	Ignition Micro switches
G	Spark Generator

GAS CONNECTION

Warning!

DO NOT USE AN OPEN FLAME WHEN CHECKING FOR LEAKS!

Leak testing of the appliance shall be conducted according to the manufacturer's instructions. Before placing the oven into operation, always check for leaks with soapy water solution or other acceptable method.

Check for gas leakage with soapy water solution or other acceptable methods in all gas connections installed between inlet gas pipe of the appliance, gas regulator, till to the manual shut-off valve.

All gas connections must comply with national and local codes. The gas supply line (service) must be the same size or greater than the inlet line of the appliance. This cooktop uses a 1/2" NPT inlet (see drawing below for details of gas connection). On all pipe joints use appropriate sealant resistant to gas to joint the adapter to rangetop manifold use only the blue gasket supplied.

If necessary, the appliance must be converted by the dealer, by a factory-trained professional or by a qualified licensed plumber or gas service company.

Gas conversion is important for safe and effective use of the appliance. It is the responsibility of the dealer and the owner of the cooktop to perform the appropriate gas conversion following the directions of the manufacturer.

THE GAS CONVERSION PROCEDURE IS DESCRIBED IN THIS MANUAL AND IN THE PACKAGE CONTAINING THE CONVERSION NOZZLES SHIPPED WITH EVERY RANGE.

Please provide the service person with this manual before work is started on the range.

MANUAL SHUT-OFF VALVE

THIS VALVE IS NOT SHIPPED WITH THE APPLIANC AND MUST BE SUPPLIED BY THE INSTALLER.

The manual shut-off valve must be installed in the gas service line between the gas hook-up on the wall and the appliance inlet, in a position where it can be reached quickly in the event of an emergency.

In Massachusetts: A 'T' handle type manual gas valve must be installed in the gas supply line to this appliance.

FLEXIBLE CONNECTIONS

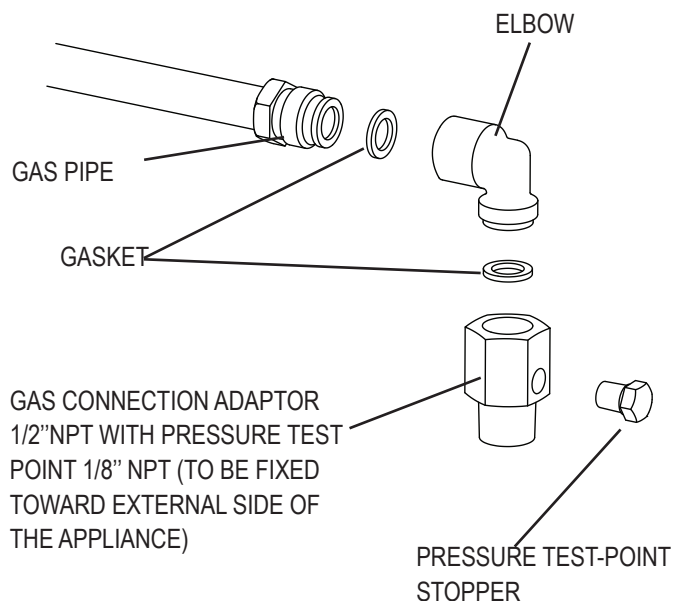
In case of installation with flexible couplings and/or quick-disconnect fittings, the installer must use a heavy-duty, AGA design-certified commercial flexible connector of at least 1/2" (1.3 cm) ID NPT (with suitable strain reliefs) in compliance with ANSI Z21.41 and Z21.69 standards.

In Massachusetts: The unit must be installed with a 36" (3-foot) long flexible gas connector.

In Canada: use CAN 1-6.10-88 metal connectors for gas appliances and CAN 1-6.9 M79 quick disconnect device for use with gas fuel.

PRESSURE TEST-POINT STOPPER VALVE

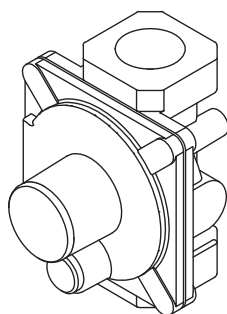
To avoid gas leaks, the pressure test-point stopper valve and gasket supplied with the range must be installed on the gas fitting at the back of the range according to the diagram below.



PRESSURE REGULATOR

Since service pressure may fluctuate with local demand, every gas cooking appliance must be equipped with a pressure regulator on the incoming service line for safe and efficient operation.

The pressure regulator shipped with the appliance has two female threads $\frac{1}{2}$ " NPT. The regulator shall be installed properly in order to be accessible when the appliance is installed in its final position.



Manifold pressure should be checked with a manometer and comply with the values indicated below:

Natural gas 4.0" iwc

LP/Propane 10.0" iwc

Incoming line pressure upstream from the regulator must be 1" iwc higher than the manifold pressure in order to check the regulator.

The regulator used on this cooktop can withstand a maximum input pressure of $\frac{1}{2}$ PSI (13,8" iwc or 3,5 kPa) If the line pressure exceeds that amount, a stepdown regulator is required.

The appliance, its individual shut-off valve, and the pressure regulator must be disconnected from the gas line during any pressure testing of that system at pressures in excess of $\frac{1}{2}$ PSI (13,8" iwc or 3,5 kPa).

The individual manual shut-off valve must be in the OFF position during any pressure testing of the gas supply piping system at test pressures equal to or less than $\frac{1}{2}$ PSI (13,8" iwc or 3,5 kPa).

Warning

Before carrying out any servicing operation disconnect the appliance from gas and electric supply and extra appliance from final installation place in order to have access to the appliance for proper servicing intervention.

INSTALLATION

APPLIANCE INSTALLATION

Unpacking the rangetop

- Remove all packing materials from the shipping pallet but leave the adhesive-backed foam layer over brushed-metal surfaces to protect it from scratches until the range is installed in its final position. Only the film on the side panels should be removed before inserting the range between the cabinets.
- Examine the appliance after unpacking it. In the event of transport damage, do not plug it. Take pictures of the damage and report it immediately to the freight forwarder.
- The grates, griddle plate, burner caps, and oven racks should be removed to facilitate handling.
-

Appliance Handling Safety

CAUTION

- Unit is heavy and requires at least two people or proper equipment to move.
- Hidden surfaces may have sharp edges. Use caution when reaching behind or under appliance.

GAS CONVERSION

Warning!

Before carrying out this operation, disconnect the appliance from gas and electricity.

Gas conversion shall be conducted by a factory-trained professional.

Call the customer service hotline to identify a factory-trained professional near your home.

The gas conversion procedure for this rangetop includes 4 steps:

- Pressure regulator
- Surface burners
- Visual checks prior to closure of oven bottom panel
- Adjustment of minimum setting

The conversion is not completed if all 4 steps have not been concluded properly.

Before performing the gas conversion, locate the package containing the replacement nozzle shipped with every range.

IMPORTANT: Each nozzle has a number indicating its flow diameter printed on the body. Consult the table number 1 for matching nozzles to burners.

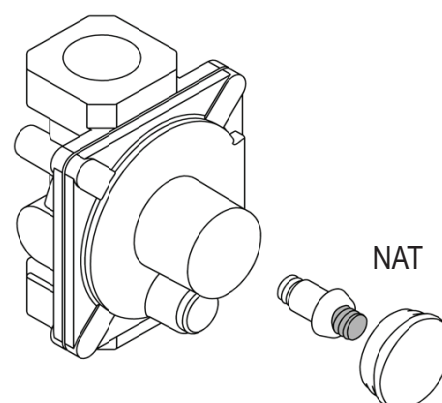
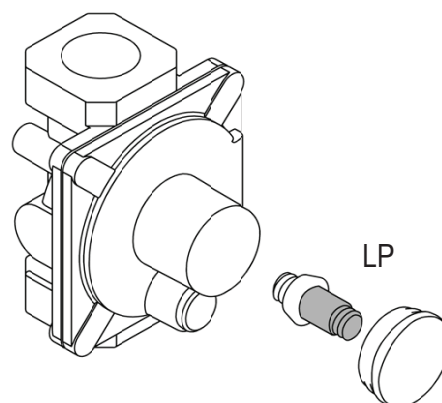
Save the nozzles removed from the rangetop for future use.

Step 1: pressure regulator

The pressure regulator supplied with the appliance is a convertible type pressure regulator for use with Natural Gas at a nominal outlet pressure of 4" iwc or LP gas at a nominal outlet pressure of 10" iwc. and it is pre-arranged from the factory to operate with one of these gas/pressure as indicated in the labels affixed on the appliance, package and Instruction booklet.

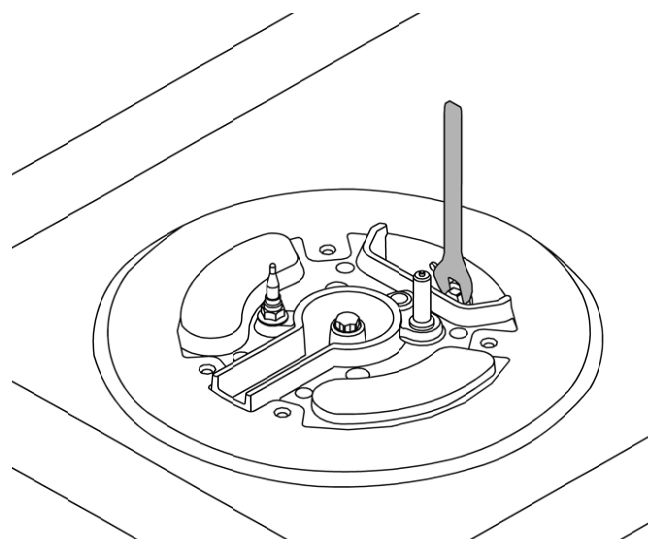
To convert the regulator for use with the other gas: Unscrew by hand the upper cap of the regulator, remove the white plastic attachment from the cap, reverse its direction and screw it again firmly against the cap. The white plastic attachment has arrows indicating the position for natural gas (NAT) and LP gas (LP).

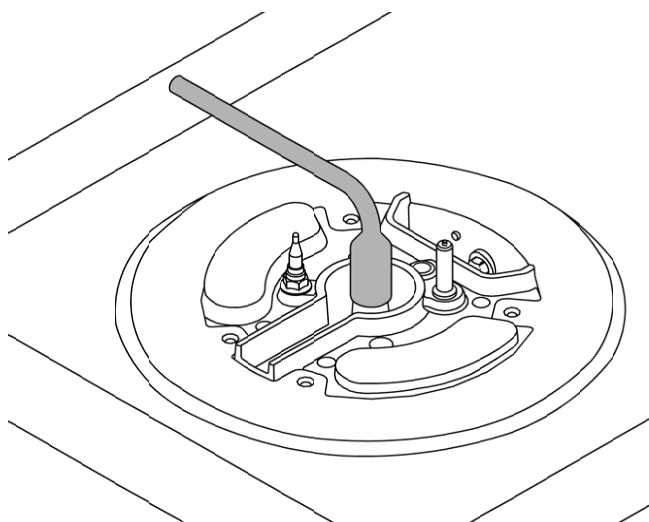
Screw by hand the metal cap in the original position on the regulator.



Step 2: surface burners

To replace the nozzles of the surface burners, lift up the burners and unscrew the nozzles shipped with the cooktop using a 7 mm (sochet wrench). Replace nozzles using the conversion set supplied with the rcooktop or by a Bertazzoni authorized parts warehouse. Each nozzle has a number indicating its flow diameter printed on the body. Consult the table number 1 and matching nozzles to burners.





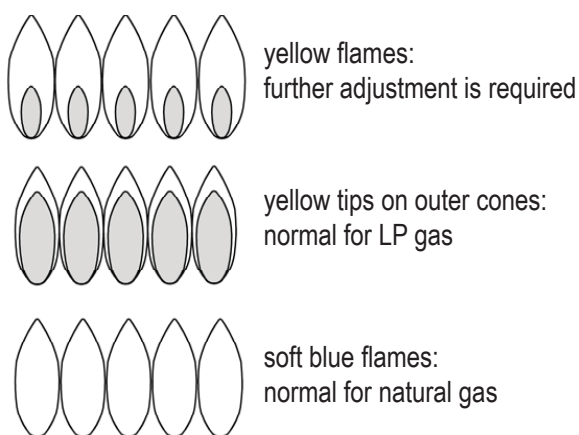
Step 3: visual checks

Surface burners

The burner flame color should be blue with no yellow on the tips. It is not uncommon to see orange in the flame color; this indicates the burning of airborne impurities in the gas and will disappear with use. With propane (LP) gas, slight yellow tips on the primary cone are normal.

The flame should burn completely around the burner cap. If it doesn't, check that the cap is positioned correctly on the base and that the ports are not blocked.

The flame should be stable with no excessive noise or fluttering.



After performing all these visual checks, reinstall the bottom panel of the oven compartment and proceed to setting the minimum for each burner.

Step 4: minimum flame adjustment

WARNING!

These adjustments should be made only for use of the appliance with natural gas. For use with liquid propane gas, the choke screw must be fully turned in a clockwise direction.

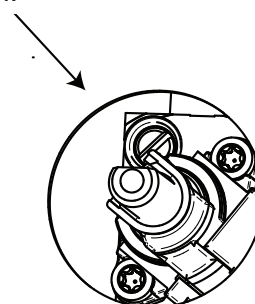
SURFACE BURNERS

Light one burner at a time and set the knob to the MINIMUM position (small flame).

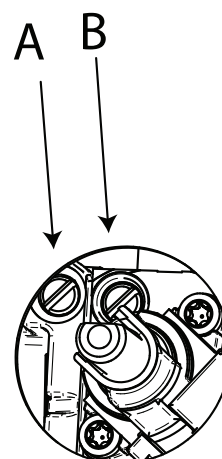
Remove the knob.

The cooktop is equipped with a safety valve. Using a small-size slotted screwdriver, locate the choke valve on the valve body and turn the choke screw to the right or left until the burner flame is adjusted to desired minimum.

Make sure that the flame does not go out when switching quickly from the MAXIMUM to the MINIMUM position.



For the gas valve of dual burner the choke valve is located on the valve body, the A screw adjust the outer ring, the B screw adjust the inner ring.



High Altitude Installation

Contact customer service for use at altitudes above 2,000 feet (610 meters).

INSTALLATION CHECKLIST

A qualified installer should carry out the following checks:

- Island trim or Backguard attached according to instruction
- Clearance to cabinet surfaces as manufacturer's guideline
- Proper ground connection
- Gas service line connected following manufacturer's guideline
- Valves, stoppers and gasket installed between the rangetop and the service line
- Gas connection tested and free of gas leaks
- Rangetop settled for the type of gas available in the household
- Each burner lights satisfactorily, both individually and with other burners operating
- Flame appear sharp blue, with no yellow tipping, shooting or flame lifting
- Minimum settled for all burners

FINAL PREPARATION

- Before using the cooktop, remove any protective wrap from the stainless steel.
- All stainless steel body parts should be wiped with hot, soapy water and with a liquid stainless steel cleanser.
- If buildup occurs, do not use steel wool, abrasive cloths, cleaners, or powders!
- If it is necessary to scrape stainless steel to remove encrusted materials, soak with hot, wet cloths to loosen the material, then use a wood or nylon scraper.
- Do not use a metal knife, spatula, or any other metal tool to scrape stainless steel! Scratches are almost impossible to remove..

BERTAZZONI SERVICE

Bertazzoni is committed to providing the best customer and product service. We have a dedicated team of trained professionals to answer your needs.

If you own a Bertazzoni appliance and need service in the US or Canada please use the following contact information:

e-mail: aftersaleservice@bertazzoni.com

Telephone - Monday through Friday,
7.30am to 7.30pm EST (except US public holidays).

US	866-905-0010
WESTERN CANADA	866-905-0010 (BC,AB,SK,MB)
EASTERN CANADA	800-561-7265 (ON,QC,NL,NB,NS,PE)

BERTAZZONI USER MANUAL

GAS COOKTOP

WARNINGS

Warning and Important Safety Instructions appearing in this manual are not meant to cover all possible conditions and situations that may occur. Common sense, caution, and care must be exercised when installing, maintaining, or operating the appliance.

Read and follow all instructions before using this appliance to prevent the potential risk of fire, electric shock, personal injury or damage to the appliance as a result of improper usage of the appliance. Use appliance only for its intended purpose as described in this manual.

Save this Manual for local electrical inspector's use. Read and save these instructions for future reference. Observe all governing codes, ordinances and regulations.

WARNING!

If the information in these instructions is not followed exactly, a fire or explosion may result causing property damage, personal injury or death.

- Do not store or use gasoline or other flammable vapors and liquid in the vicinity of this or any other appliance.

- WHAT TO DO IF YOU SMELL GAS

- Do not try to light any appliance.
- Do not touch any electrical switch.
- Do not use any phone in your building.
- Immediately call your gas supplier from a neighbor's phone. Follow the gas supplier's instructions.
- If you cannot reach your gas suppliers, call the fire department.

- Installation and service must be performed by a qualified installer, service agency or the gas supplier

In Massachusetts:

All gas products must be installed by a "Massachusetts" licensed plumber or gasfitter. A "T" handle type manual gas valve must be installed in the gas line connected to this appliance.

To ensure proper and safe operation: Appliance must be properly installed and grounded by a qualified technician. DO NOT attempt to adjust, repair, service, or replace any part of your appliance unless it is specifically recommended in this manual. All other servicing should be referred to a qualified servicer. Have the installer show you the location

of the gas shut-off valve and how to shut it off in an emergency.

A certified technician is required for any adjustments or conversions to Natural or LP gas.

To Prevent Fire or Smoke Damage

- Be sure all packing materials are removed from the appliance before operating it.
- Never let clothing, potholders, or other flammable materials come in contact with or too close to any element, top burner or burner grate until it has cooled.
- If appliance is installed near a window, proper precautions should be taken to prevent curtains from blowing over burners.
- Never leave any items on the cooktop. The hot air from the vent may ignite flammable items and may increase pressure in closed containers which may cause them to burst.
- Many aerosol-type spray cans are EXPLOSIVE when exposed to heat and may be highly flammable. Avoid their use or storage near an appliance.

In Case of Fire

Turn off appliance and ventilation hood to avoid spreading the flame. Extinguish flame then turn on hood to remove smoke and odor.

- Cooktop: Smother fire or flame in a pan with a lid or cookie sheet.
- NEVER pick up or move a flaming pan.
- do not reach through fire to turn it off.

Child Safety

- NEVER leave children alone or unsupervised near the appliance when it is in use or is still hot.
- NEVER allow children to sit or stand on any part of the appliance as they could be injured or burned.
- CAUTION do not store items of interest to children in cabinets above the rangetop or on the backguard of the rangetop. Children climbing on the rangetop to reach those items could be seriously injured.

Cooking Safety

- Once the unit has been installed as outlined in the Installation Instructions, it is important that the fresh air supply is not obstructed. The use of a gas cooking appliance results in the production of heat and moisture in the room in which it is installed.
- Ensure that the kitchen is well-ventilated. Keep natural venting holes open or install a mechanical ventilation device. Prolonged or intensive use of the appliance may call for additional (such as opening a window) or more effective ventilation (such as increasing the level of a mechanical ventilation if present).
- To eliminate the hazard of reaching over hot surface burners, cabinet storage should not be provided directly above a unit. Temperatures may be unsafe for some items, such as volatile liquids, cleaners or aerosol sprays.
- ALWAYS place a pan on a surface burner before turning it on. Be sure you know which knob controls which surface burner. Make sure the correct burner is turned on and that the burner has ignited. When cooking is completed, turn burner off before removing pan to prevent exposure to burner flame.
- ALWAYS adjust surface burner flame so that it does not extend beyond the bottom edge of the pan. An excessive flame is hazardous, wastes energy and may damage the appliance, pan or cabinets above the appliance. This is based on safety considerations.
- NEVER leave a surface cooking operation unattended especially when using a high heat setting or when deep fat frying. Boilovers cause smoking and greasy spillovers may ignite. Clean up greasy spills as soon as possible. DO NOT use high heat for extended cooking operations.
- DO NOT heat unopened food containers, build up of pressure may cause the container to explode and result in injury.
- NEVER wear garments made of flammable material or loose fitting or long-sleeved apparel while cooking. Clothing may ignite or catch utensil handles.

Do not connect any appliances to the plugs above or near to the induction cooktop; connection cable insulation can melt if in contact with heat, and this may result in an injury and a property damage.

Gas Safety

- To prevent carbon monoxide build-up, do not block appliance air vents.

- Have the installer show you where the gas shut-off valve is located.
- For proper burner performance, keep igniters clean and dry.
- If a burner goes out and gas escapes, open windows and doors. Wait until gas dissipates before using the appliance.
- Keep the igniter and thermocouple clean for proper lighting performance of the burners. It is necessary to clean these when there is a boilover or when the burner does not light even though the electronic igniters click.

WARNING

To prevent flare-ups do not use the cooktop without all burner caps and all burner grates properly positioned.

Recommended Utensils

- Use pans with flat bottoms and handles that are easily grasped and stay cool. Avoid using unstable, warped, easily tipped or loose-handled pans. Also avoid using pans, especially small pans, with heavy handles as they could be unstable and easily tip. Pans that are heavy to move when filled with food may also be hazardous.
- Be sure utensil is large enough to properly contain food and avoid boilovers. Pan size is particularly important in deep fat frying. Be sure pan will accommodate the volume of food that is to be added as well as the bubble action of fat.
- To minimize burns, ignition of flammable materials and spillage due to unintentional contact with the utensil, DO NOT extend handles over adjacent surface burners. ALWAYS turn pan handles toward the side or back of the appliance, not out into the room where they are easily hit or reached by small children.
- NEVER let a pan boil dry as this could damage the utensil and the appliance.
- Follow the manufacturer's directions when using oven cooking bags.
- Only certain types of glass, glass/ceramic, ceramic or glazed utensils are suitable for rangetop surface or oven usage without breaking due to the sudden change in temperature. Follow manufacturer's instructions when using glass.
- Bakeware, such as large casserole pans, cookie sheets, etc. should never be used on the rangetop.
- Placement of large stock pots should be staggered when used on the rangetop.

WARNINGS

Cleaning Safety

- Turn off all controls and wait for appliance parts to cool before touching or cleaning them. DO NOT touch the burner grates or surrounding areas until they have had sufficient time to cool.
- Clean the range with caution. Avoid steam burns; DO NOT use a wet sponge or cloth to clean the range while it is hot. Some cleaners produce noxious fumes if applied to a hot surface. Follow directions provided by the cleaner manufacturer.

WARNING!

Never use this appliance as a space heater to heat or warm the room. Doing so may result in carbon monoxid poisoning and overheating of the oven.

Room ventilation

An exhaust fan may be used with the appliance; in each case it shall be installed in conformity with the appropriate national and local standards. Exhaust hood operation may affect other vented appliances; in each case it shall be installed in conformity with the appropriate national and local standards.

Electrical shock hazard

Make sure all controls are OFF before cleaning. Failure to do so can result in burns or electrical shock.



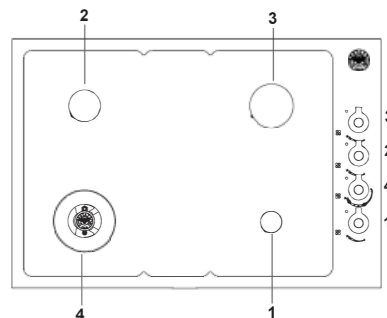
WARNING:

Cancer and Reproductiv Harm-
www.P65Warnings.ca.gov.

WORKTOP AND KNOBS LAYOUT

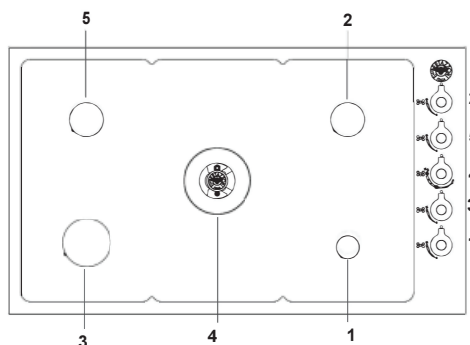
CONTROLS / BURNERS

- 1 Front right auxiliary burner
- 2 Rear left semi-rapid burner
- 3 Rear right rapid burner
- 4 Front left dual burner



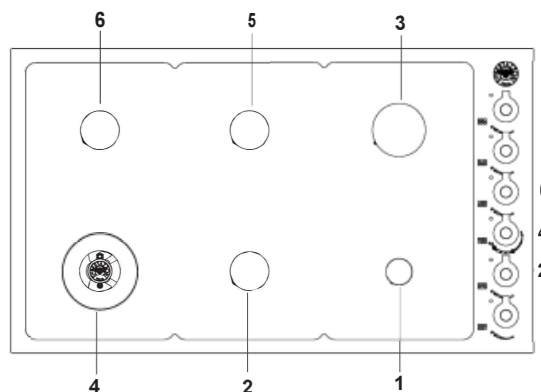
CONTROLS / BURNERS

- 1 Front right auxiliary burner
- 2 Rear right semi-rapid burner
- 3 Front left rapid burner
- 4 Central dual burner
- 5 Rear left semi-rapid burner



CONTROLS / BURNERS

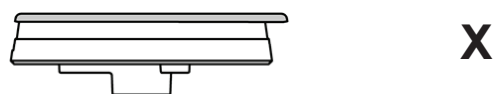
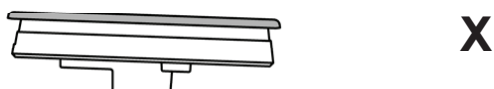
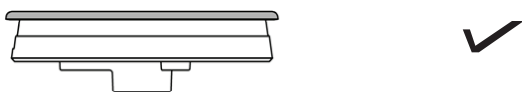
- 1 Front right auxiliary burner
- 2 Front central semi-rapid burner
- 3 Rear right rapid burner
- 4 Front left dual burner
- 5 Rear central semi-rapid burner
- 6 Rear left semi-rapid burner



GAS COOKTOP

BURNER CAPS AND GRATES

The burners and the burner caps must be properly placed for the cooktop to function properly.

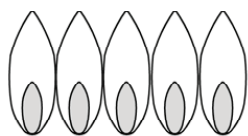


The burner grates must be properly placed inside the recess on the cooktop.

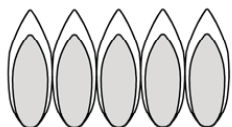
MAKING SURE THE FLAME IS OPTIMAL

The flame should be stable with no excessive noise or fluttering. The color should be blue with no yellow on the tips. It is not uncommon to see orange in the flame color; this indicates the burning of airborne impurities in the gas and will disappear with use.

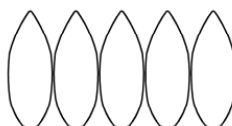
- With propane (LP) gas, slight yellow tips on the primary icon are normal.
- The flame should burn completely around the burner cap. If it doesn't, check that the cap is positioned correctly on the base and that the ports are not blocked.



yellow flames:
further adjustment is required



yellow tips on outer cones:
normal for LP gas



soft blue flames:
normal for natural gas

The correct flame height depends on:

- size and material of pan being used
- food being cooked
- amount of liquid in the pan.

Never extend the flame beyond the base of the pan. Use a low or medium flame for pan materials that conduct the heat slowly, such as porcelain coated steel or glass-ceramic.

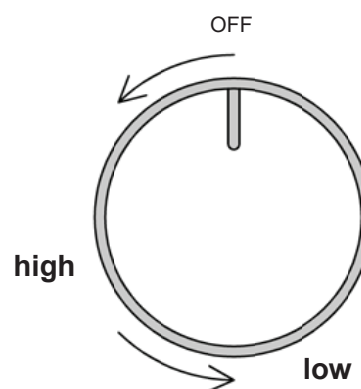
Because the edges of the flame are much hotter than its center, the flame tips should stay beneath the bottom of the cookware. Flame tips which extend beyond the sides of the cookware emit unnecessary heat into the room and can also damage cookware handles, which increases the risk of injury.

USING THE GAS BURNERS

- Press in the control knob and turn it anti-clockwise, to HIGH position.
- Continue to hold the knob in for 5 to 10 seconds after the burner ignition before releasing
- Adjust flame with the knob as needed.

Note: The igniters may click a number of times before the burner ignites.

This is normal. All igniters will spark regardless of which burner is being operated.



USING THE POWER BURNER

To give further flexibility, the dual power burner can be used as a single simmer burner if the central burner alone is ignited or as a power burner if the outer burner is also ignited.

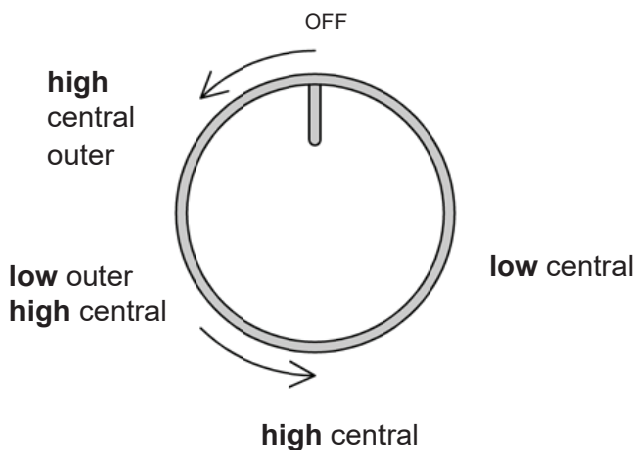
To light the central burner, press in the control knob and turn it anti-clockwise to the HIGH of the single ring position

Continue to hold the knob in for 5 to 10 seconds after the burner ignites before releasing

To also light the outer burner, turn the knob to the HIGH double ring. Adjust the flame as required.

Note: The igniters may click a number of times before the burner ignites.

This is normal. All igniters will spark regardless of which burner is being operated.



THERMOCOUPLE

A flame failure device (thermocouple) on each burner acts as a safety gas cut-off in case the flame is accidentally blown out. A thermocouple detects the absence of a flame and stops the supply of gas. The thermocouple must be heated for a few seconds when the burner is ignited before the knob is released.

USING SPECIALTY COOKWARE

Woks

Either flat-based or round-bottom woks with the accessory ring can be used on all models. Round bottom woks must be used with a support ring. In some models the porcelain-coated cast iron wok support ring must be purchased separately.

Simmer ring

For very slow cooking the porcelain coated simmer ring should be used. In some models the porcelain-coated cast iron simmer ring must be purchased separately.

Simmer ring must be used for pan with diameter less than 4 inches.

NOTE: In the event of a power failure, the burners can be lit with a match or gas lighter. The flame failure devices will continue to function normally.

GAS SHUT-OFF SAFETY -

GAS BURNER DIMENSIONS AND RECOMMENDED PAN SIZE

Burner	Diam. in (mm)	Diam. of pan	Utilization
Auxiliary	Ø 2" (50mm)	Ø 3"1/2- 5"1/2 (90-140mm)	Use with smaller pans for boiling and simmering and the preparation of sauces.
Semi-rapid	Ø 2"3/4 (70mm)	Ø 5"1/2 -10"1/4 (140-260mm)	Use for normal frying and boiling in medium and small pans.
Rapid	Ø 3"3/4 (95 mm)	Ø 7"1/8 -10"1/4 (180-260 mm)	Use with large and medium pans of water for frying and rapid boiling.
Crown/ Dual inner/outer	Ø1"11/16-5"1/2 (43-140 mm)	Ø 8"2/3 -10"1/4 (220-260 mm)	Use with woks, griddle's and frying pans or for large pans and rapid boiling.

KEEPING YOUR BERTAZZONI CLEAN

Burn hazard

Make sure the heating elements are turned off and allowed to cool completely before any cleaning and/or maintenance operation.

Things to avoid:

- Do not use a steam cleaner to clean the rangetop: the steam could reach electrical components and cause a short.
- Do not spray liquids such as cleaning agents into the openings on the bottom and top of the oven cavity.
- All surfaces can discolor or be damaged if unsuitable cleaning agents are used.

Cleaning stainless steel

All stainless steel parts should be wiped with hot water and soap solution at the end of each cycle. Wipe up spills and boilovers immediately. Use suitable, non-abrasive stainless cleaning products when water and soap solution will not do the job. *DO NOT use steel wool, abrasive cloths, cleansers, or powders.* If necessary, scrape stainless steel to remove encrusted materials, soak the area with hot towels to soften the residue, then use a wooden or nylon spatula or scraper. *DO NOT use a metal knife, spatula, or any other metal tool to scrape stainless steel.* DO NOT permit citrus or tomato juice to remain on stainless steel surface, as citric acid will permanently discolor stainless steel.

Cleaning painted surfaces

Clean with a soft cloth, warm water and non-abrasive dishwashing liquid. Whilst still damp, polish dry with a clean soft cloth.

TROUBLESHOOTING

Here are answer to common problems you may experience. You are also welcome to call our toll free Customer Service line to trouble-shoot any issue with your Bertazzoni:

ENGLISH 866 905 0010

if located in the US, BC, B, Sk and MB

FRANCAIS 800 561 7265

if located in ON, QC, PE, NU, NS, NL, NB

The surfer burners will not ignite

Is there power to the range? Are the igniters or burner holes blocked? Are the burner rings and burner caps seated firmly?

Check the switch fuse or circuit breaker. Check that the igniter is clean and the burner holes are open and clean of any residue.

The burner ignites but switches off when the knob is released

The burners have flame failure devices fitted as standard. Therefore, after lighting the burner, keep the knob pressed for a few seconds to deactivate the flame failure device.

The ignition candles are sparking continuously

Is the cooktop wet from cleaning or a boil over? Turn off the electricity supply and thoroughly dry the burner components and igniters.

The control knob are getting too hot

Are you cooking with the oven door open? Keep the oven door shut when not in use or when grilling/broiling.

A control knob is loose on its shaft

The knob retaining spring clip may have been damaged. Call our service department for advice and a replacement if necessary.

Please kindly register on our web site www.bertazzoni.com to validate your new product warranty and help us to assist you better in case of any inconvenience.

TWO YEARS LIMITED WARRANTY

The warranties provided by Bertazzoni SpA in this statement apply exclusively to Bertazzoni appliances and accessories sold as new products to the original owner by a Bertazzoni authorized distributor, retailer, dealer or service center and installed in the United States and Canada. The warranties provided in this statement are not transferable and have validity from the date of installation.

Coverage information

Bertazzoni SpA will repair or replace any component part which fails or proves defective due to materials and/or workmanship within 2 years from the date of installation and under conditions of normal residential use. Repair or replacement will be free of charge, including labor at standard rates and shipping expenses. Repair service must be performed by a Bertazzoni Authorized Service Center during normal working hours.

Cosmetic warranty

Bertazzoni will cover parts showing cosmetic defects in material and workmanship for a period of thirty (30) days from date of installation of the unit. This coverage will include scratches, stains, surface imperfections on stainless steel, paint and porcelain, with the exclusion of slight differences in color due to materials and painting/enamelling technologies.

Exclusions are labor costs, B stock items, out-of-box appliances and display units.

How to obtain service

To obtain warranty service please contact Bertazzoni Customer Service at the numbers below and provide model number, serial number and date of purchase.

ENGLISH 866 905 0010

if located in the US, BC, B, Sk and MB

FRANCAIS 800 561 7265

if located in ON, QC, PE, NU, NS, NL, NB

Save proof of original purchase or of original installation to establish warranty period. Copy of the product serial tag is affixed to the back cover of the instruction manual.

What is not covered

The product used in any commercial application
Repair service provided by other than a Bertazzoni authorized service agency.

Damage or repair service to correct service provided by an unauthorized agency or the use of

unauthorized parts.

Installation not in accordance with local electrical codes, gas codes or plumbing codes

Defects or damage due to improper storage of the product.

Defects or damage or missing parts on products sold out of the original factory packaging or from displays.

Service calls or repairs to correct the installation of the product and/or related accessories.

Service calls to connect, convert or otherwise repair the electrical wiring and/or gas line to properly use the product.

Service calls to provide instructions on the use of a Bertazzoni product.

Repair service due to product usage in manner other than what is normal and customary for home use.

Replacement of wear and tear parts

Replacement of glasses and light bulbs if they are claimed to have failed later than 30 days after installation and in no case later than 4 months after date of purchase

Defects and damages arising from accident, alteration, misuse, abuse, improper installation.

Defects and damages arising from transportation of the product to the home of the owner.

Defects and damage arising from external forces beyond the control of Bertazzoni SpA such as fire, flood, earthquakes and other acts of God.

In case the product will be installed in a remote area, where certified trained technicians are not reasonably available, the customer will be responsible for the transportation costs for the delivery of the product to the nearest authorized service center or for the displacement costs of a certified trained technician.

Bertazzoni does not assume any responsibility for incidental or consequential damages.

Some states do not allow the exclusion or limitation of incidental or consequential damages, so the above limitation or exclusion may not apply to you. This warranty gives you specific legal rights and you may also have other rights which may vary from state to state or province to province.

La garantie fournie par Bertazzoni Spa dans ce document s'applique exclusivement aux appareils et accessoires Bertazzoni vendus neufs au propriétaire d'origine par un distributeur, revendeur ou centre d'assistance autorisé par Bertazzoni, installé aux États-Unis ou au Canada. La garantie fournie dans ce document n'est pas cessible et entre en vigueur à la date d'installation.

Informations sur la garantie

Bertazzoni SPA réparera ou remplacera tout composant en panne ou défectueux du fait des matériaux et/ou de la fabrication pendant 2 ans à compter de la date d'installation et uniquement dans le cadre d'un usage domestique normal. Les réparations ou remplacements ne seront pas facturés et comprennent la main-d'œuvre au taux standard et les frais de transport. Les réparations doivent être réalisées par un centre de maintenance autorisé par Bertazzoni, aux heures de travail normales.

Garantie esthétique

La garantie offerte par Bertazzoni s'appliquera sur les composants présentant des défauts esthétiques liés aux matériaux et aux défauts de fabrication pendant trente (30) jours à compter de la date d'installation de l'appareil. Cette garantie inclut les rayures, taches, imperfections superficielles de l'acier inoxydable, des peintures et du revêtement émailé, à l'exception des légères différences de couleur dues aux matériaux et aux technologies de peinture/d'émaillage. **Les frais liés à la main-d'œuvre, les articles d'occasion, les appareils déballés, les articles de démonstration sont exclus du champ d'application de la garantie.**

Comment faire appliquer la garantie

Pour faire appliquer la garantie, veuillez contacter le Service clients de Bertazzoni aux numéros ci-dessous en indiquant le numéro de modèle, le numéro de série et la date d'achat.

ENGLISH 866 905 0010
est situé dans US, BC, B, SK et MB
FRANCAIS 800 561 7265
est situé dans ON, QC, PE, NU, NS, NL, NB

Conserver les documents attestant l'achat original ou l'installation originale afin de déterminer la période de garantie. Le numéro de série du produit est reproduit au dos du manuel d'instructions.

Ce que la garantie ne couvre pas

Le produit utilisé dans un cadre commercial. Les réparations assurées par un opérateur autre qu'une agence spécialisée autorisée par Bertazzoni. Les dommages ou réparations effectués afin de

corriger une réparation réalisée par une société non autorisée ou utilisation de composants non autorisés. L'installation non conforme aux réglementations locales relatives à l'électricité, au gaz et à la plomberie. Les défauts ou dommages dus à un entreposage inapproprié du produit.

Les défauts ou dommages vendus sans leur emballage d'origine ou des produits de démonstration. Les interventions ou réparations visant à rectifier l'installation du produit et/ou de ses accessoires. Réparer le câblage électrique et/ou la conduite d'alimentation en gaz afin d'utiliser correctement le produit.

Les interventions visant à fournir des instructions sur l'utilisation d'un produit Bertazzoni. Les réparations résultant d'une utilisation du produit autre qu'une utilisation normale et habituelle dans le cadre domestique. Remplacement des pièces d'usure normale Le remplacement des vitres et des ampoules d'éclairage en cas de défaillance au-delà des 30 jours suivant l'installation et en aucun cas au-delà de 4 mois après la date d'achat.

Les défauts et dommages résultant d'un accident, d'une altération, d'une mauvaise utilisation, d'un abus, d'une installation inappropriée. Les défauts et dommages résultant de facteurs externes échappant au contrôle de Bertazzoni SPA, comme les incendies, les inondations, les tremblements de terre et autres cas de force majeure.

Au cas où le produit serait installé dans une zone éloignée, où des techniciens formés ne pourraient raisonnablement se rendre, le client prendra à sa charge les frais d'expédition du produit jusqu'au centre de maintenance autorisé le plus proche ou les frais de déplacement d'un technicien formé et certifié.

Bertazzoni décline toute responsabilité en cas de dommages indirects ou consécutifs à l'utilisation du produit.

Certains états n'autorisent pas l'exclusion ou la limitation de responsabilité en cas de dommages indirects ou consécutifs ; par conséquent, la limitation ou l'exclusion susmentionnée pourrait ne pas s'appliquer à votre cas. La présente garantie vous confère des droits juridiques spécifiques. Vous pourriez également bénéficier d'autres droits, susceptibles de varier d'un état ou d'une province à l'autre.

RÉSOLUTION DES PROBLÈMES

Vous trouverez ci-après des solutions aux problèmes les plus fréquents. Vous pouvez aussi appeler le numéro vert de notre Service clients pour résoudre tout problème lié à votre cuisinière Bertazzoni :

ENGLISH 866 905 0010

est situé dans US, BC, B, SK et MB

FRANÇAIS 800 561 7265

est situé dans ON, QC, PE, NU, NS, NL, NB

Les brûleurs de la surface de cuisson ne s'allument pas

La cuisinière est-elle sous tension ? Les allumeurs ou les trous des brûleurs sont-ils obstrués ? Les anneaux et les chapeaux des brûleurs sont-ils correctement insérés ?

Vérifier l'interrupteur à fusibles ou le disjoncteur. Vérifier que l'allumeur est propre et que les trous des brûleurs sont ouverts et exempts de tout résidu.

Le brûleur s'allume mais s'éteint dès que le bouton est relâché

Les brûleurs sont équipés d'un dispositif d'arrêt du gaz. Une fois le brûleur allumé, maintenir le bouton enfoncé pendant quelques secondes pour désactiver le dispositif d'arrêt du gaz.

Les bougies d'allumage font continuellement des étincelles

La surface de cuisson est-elle encore humide après un nettoyage ou un débordement ? Couper l'alimentation électrique et sécher soigneusement les composants et les allumeurs du brûleur.

Un bouton de réglage s'est dévissé de son axe

Le clip à ressort de blocage est peut-être endommagé. Appeler notre Service d'entretien pour des conseils et, le cas échéant, un remplacement .

Veillez vous inscrire sur notre site Internet www.bertazzoni.com pour valider la garantie de votre nouveau produit et nous permettre de vous aider en cas de besoin.

NETTOYAGE DE VOTRE TABLE DE CUISSON

Risque de brûlure

S'assurer que les éléments chauffants sont éteints et ont complètement refroidi avant d'effectuer toute opération de nettoyage et/ou d'entretien.

Actions à ne pas faire :

- N'utilisez pas de nettoyeur vapeur pour nettoyer la cuisinière : la vapeur pourrait entrer en contact avec des composants électriques et entraîner un court-circuit.
- Ne vaporisez pas de liquides tels que des produits nettoyeurs dans les ouvertures situées au bas et sur le dessus de la cavité du four.
- Les surfaces peuvent se décolorer ou être endommagées suite à l'utilisation de produits nettoyeurs inappropriés.

Nettoyage de l'acier inoxydable

Toutes les parties en acier inoxydable doivent être nettoyées avec une solution d'eau chaude savonneuse après chaque cycle de travail. Les projections et déversements doivent être nettoyés immédiatement. Utiliser des produits nettoyeurs non abrasifs adaptés à l'acier inoxydable si de l'eau savonneuse ne suffit pas. *NE PAS utiliser de laine d'acier, de linges abrasifs, de produits ou de poudres nettoyeurs.* Si nécessaire, gratter l'acier inoxydable pour en retirer les incrustations ; pour cela, mouiller avec un chiffon humide et chaud pour ramollir le dépôt, puis utiliser une spatule en bois ou en nylon ou une raclette. *NE PAS utiliser de couteau, de spatule ou tout autre ustensile en métal pour gratter l'acier inoxydable !* NE PAS laisser de jus de citron ou de tomate sur la surface en acier inoxydable, l'acide citrique pouvant décolorer de façon indélébile l'acier inoxydable.

Nettoyage des surfaces peintes

Nettoyer avec un linge doux, de l'eau chaude et du liquide vaisselle non abrasif. Tandis que la surface est encore humide, frotter avec un linge doux et propre.

UTILISATION DU BRÛLEUR À FORTE PUISSANCE

Pour plus de polyvalence, le double brûleur à forte puissance peut être utilisé comme simple brûleur mijoteur si seul le brûleur central est allumé ou comme brûleur à forte puissance si le brûleur externe est également allumé.

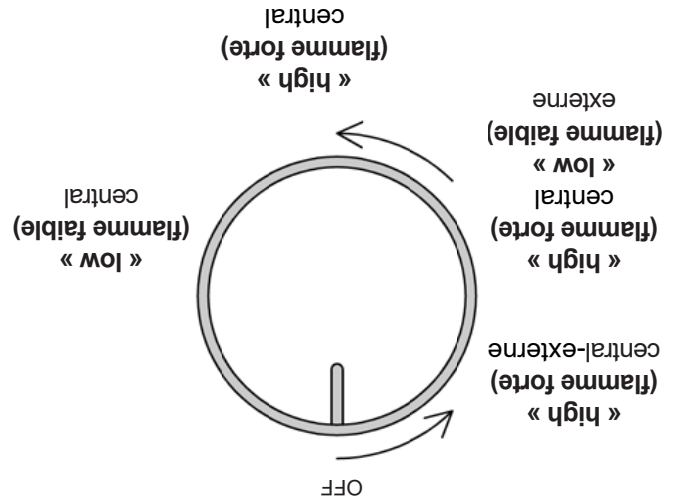
Pour allumer le brûleur central, appuyer sur le bouton de réglage et le mettre sur la position de flamme « HIGH » (forte) de l'anneau simple en le tournant dans le sens anti-horaire.

Maintenir le bouton enfoncé pendant 5 à 10 secondes après l'allumage du brûleur puis le relâcher.

Pour allumer également le brûleur externe, mettre le bouton sur la position de flamme « HIGH » (forte) du double anneau. Régler la flamme selon les nécessités.

Remarque: Les allumeurs peuvent cliquer un certain nombre de fois avant que le brûleur s'enflamme.

C'est normal. Tous les allumeurs étincellent quel que soit le brûleur qui est actionné.



DIMENSIONS DES BRÛLEURS À GAZ ET TAILLE RECOMMANDÉE DES RÉCIPENTS DE CUISSON

Brûleur	Diam. int. (mm)	Diam. récipient de cuisson	Utilisation
Auxiliaire	Ø 2"	Ø 3 1/2-5 1/2 (90-140 mm)	À utiliser avec des récipients de cuisson plus petits pour faire cuire à l'eau ou mijoter et pour la préparation de sauces.
Semi-rapide	Ø 2 3/4 (70 mm)	Ø 5 1/2-10 1/4 (140-260 mm)	À utiliser avec des récipients de cuisson de moyenne et petite taille pour des fritures normales ou des cuissons à l'eau.
Rapide	Ø 3 3/4 (95 mm)	Ø 7 1/8-10 1/4 (180-260 mm)	À utiliser avec des récipients de moyenne et grande taille pour frire ou obtenir une ébullition rapide.
Couronne/ Double	Ø 1 11/16-5 1/2 (43-140 mm)	Ø 8 2/3-10 1/4 (220-260 mm)	À utiliser avec des woks, des grills et des poêles à frire, ou avec des récipients de cuisson de grande taille pour obtenir une ébullition rapide.

Diffuseur mijoteur

Pour une cuisson à feu très doux, utiliser le diffuseur mijoteur émaillé. Pour certains modèles, le diffuseur mijoteur en fonte émaillée doit être acheté séparément.

Le diffuseur mijoteur doit être utilisé avec des récipients de cuisson d'un diamètre inférieur à 4 pouces (10 cm).

REMARQUE : En cas de coupure d'électricité, les brûleurs peuvent être allumés avec une allumette ou un allume-gaz. Les dispositifs de contrôle de flamme continueront à fonctionner normalement.

USTENSILES SPÉCIAUX

Woks

Les woks à fond plat ou rond, avec un anneau de support, peuvent être utilisés sur tous les modèles. Les woks à fond rond doivent être utilisés avec un anneau de support. Pour certains modèles, l'anneau de support du wok en fonte émaillée doit être acheté séparément.

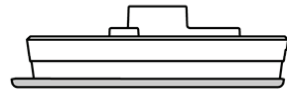
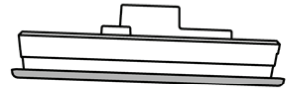
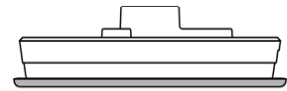
DISPOSITIF DE SÉCURITÉ D'ARRÊT DU GAZ – THERMOCOUPLE

Un dispositif d'arrêt du gaz (thermocouple) sur chaque brûleur fait office de sécurité au cas où la flamme s'éteindrait accidentellement. Le thermocouple détecte l'absence de flamme et coupe l'alimentation en gaz. Le thermocouple doit être chauffé pendant quelques secondes lorsque le brûleur est allumé, avant que le bouton ne soit relâché.

SURFACE DE CUISSON AU GAZ

CHAPEAUX ET GRILLES DES BRÛLEURS

Les brûleurs et les chapeaux des brûleurs doivent être correctement positionnés afin d'assurer le bon fonctionnement de la surface de cuisson.



Les grilles des brûleurs doivent être correctement positionnées dans les renfoncements de la surface de cuisson.

FLAMME DE LA COMBUSTION DE LA

La flamme doit être stable, sans bruit ni oscillation

excessive. Elle doit être bleue, sans coloration

jaune aux extrémités. Il n'est pas rare de voir

de l'orange sur la flamme. Cela indique la

combustion d'impuretés en suspension dans le

gaz et disparaîtra pendant l'utilisation.

Avec du gaz propane (LPG), il est normal

de voir de petites pointes jaunes sur les

premières flammes.

La combustion de la flamme doit être

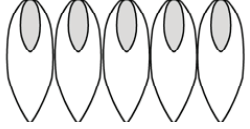
complète autour du chapeau du brûleur. Dans

le cas contraire, vérifier que le chapeau est

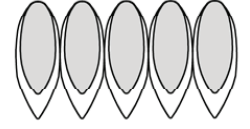
correctement positionné sur son support et que les orifices

ne sont pas obstrués.

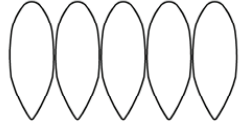
flammes jaunes :
la flamme doit à nouveau être réglée



pointes jaunes aux extrémités :
normal pour le gaz LPG



flammes bleu clair :
normal pour le gaz naturel



UTILISATION DES BRÛLEURS À GAZ

Les bords de la flamme étant beaucoup plus chauds que le centre, les pointes de la flamme ne doivent pas dépasser du fond du récipient de cuisson. Les pointes de flamme qui dépassent du fond du récipient de cuisson émettent une chaleur superflue dans la pièce et peuvent abîmer les poignées du récipient et accroître le risque de blessure.

La hauteur correcte de la flamme dépend de la taille et du matériau du récipient de cuisson utilisé.

- de la taille et du matériau du récipient de cuisson utilisé.
- des aliments cuisinés.
- du volume de liquide dans le récipient de cuisson.

Ne jamais faire dépasser la flamme du fond du récipient de cuisson. Utiliser une flamme petite ou moyenne pour les récipients de cuisson faits dans un matériau qui conduit la chaleur lentement, comme l'acier à revêtement céramique ou la vitrocéramique.

Les bords de la flamme étant beaucoup plus chauds que le centre, les pointes de la flamme ne doivent pas dépasser du fond du récipient de cuisson.

Les pointes de flamme qui dépassent du fond du récipient de cuisson émettent une chaleur superflue dans la pièce et peuvent abîmer les poignées du récipient et accroître le risque de blessure.

Remarque: Les allumeurs peuvent cliquer un certain nombre de fois avant que le brûleur s'enflamme.

C'est normal. Tous les allumeurs éteignent quel que soit le brûleur qui est actionné.

Avec le bouton, régler la flamme selon les nécessités.

Appuyer sur le bouton de réglage et le mettre sur la position « HIGH » (flamme forte) en le tournant dans le sens anti-horaire.

Maintenir le bouton enfoncé pendant 5 à 10 secondes après l'allumage du brûleur, puis le relâcher.

Avec le bouton, régler la flamme selon les nécessités.

Remarque: Les allumeurs peuvent cliquer un certain nombre de fois avant que le brûleur s'enflamme.

C'est normal. Tous les allumeurs éteignent quel que soit le brûleur qui est actionné.

Avec le bouton, régler la flamme selon les nécessités.

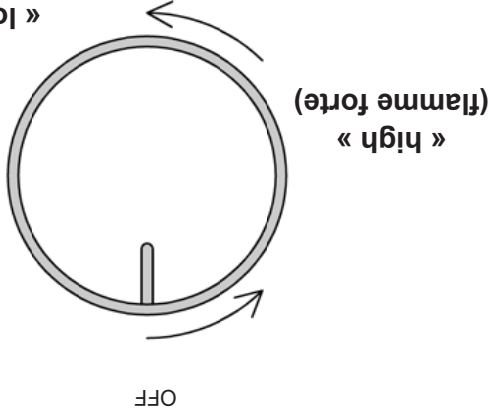
Appuyer sur le bouton de réglage et le mettre sur la position « HIGH » (flamme forte) en le tournant dans le sens anti-horaire.

Maintenir le bouton enfoncé pendant 5 à 10 secondes après l'allumage du brûleur, puis le relâcher.

Avec le bouton, régler la flamme selon les nécessités.

Remarque: Les allumeurs peuvent cliquer un certain nombre de fois avant que le brûleur s'enflamme.

C'est normal. Tous les allumeurs éteignent quel que soit le brûleur qui est actionné.



« low »
(flamme faible)

« high »
(flamme forte)

OFF

Risque de décharge électrique !
S'assurer que tous les boutons de réglage sont sur « OFF » avant le nettoyage. Le non-respect de

locales et nationales en vigueur.
Elle doit être installée conformément aux normes une incidence sur d'autres appareils de ventilation. fonctionnellement d'une hotte aspirante peut avoir aux normes locales et nationales en vigueur. Le l'appareil. Celui-ci doit être installé conformément Il convient d'associer un ventilateur extracteur à

Ventilation de la pièce

table de cuisson.
potentiel pour l'utilisateur et tout dommage à la appareil de chauffage, pour éviter tout danger Ne JAMAIS se servir de la table de cuisson comme

- Eteindre l'appareil et attendre que toutes ses parties aient refroidi avant de les toucher ou de les nettoyer. NE PAS toucher les grilles des brûleurs ou les zones adjacentes avant qu'elles n'aient suffisamment refroidi. La table de cuisson doit être nettoyée avec précaution. Pour éviter les brûlures dues à la vapeur, NE PAS utiliser d'éponge ou de linges humides pour nettoyer la table de cuisson tant qu'elle est chaude. Certains produits nettoyants génèrent des fumées nocives en cas de contact avec une surface chaude. Suivre les consignes données par le fabricant du produit nettoyant.
- Eteindre l'appareil et attendre que toutes ses parties aient refroidi avant de les toucher ou de les nettoyer. NE PAS toucher les grilles des brûleurs ou les zones adjacentes avant qu'elles n'aient suffisamment refroidi. La table de cuisson doit être nettoyée avec précaution. Pour éviter les brûlures dues à la vapeur, NE PAS utiliser d'éponge ou de linges humides pour nettoyer la table de cuisson tant qu'elle est chaude. Certains produits nettoyants génèrent des fumées nocives en cas de contact avec une surface chaude. Suivre les consignes données par le fabricant du produit nettoyant.

Sécurité lors du nettoyage

- Pour réduire le risque de brûlures, d'inflammation de matériaux inflammables et de déversement lié à un contact involontaire avec l'ustensile, NE PAS placer les poignées au-dessus des brûleurs adjacents. TOUJOURS tourner les poignées du récipient de cuisson vers le côté ou l'arrière de la cuisinière et non pas vers la pièce, où elles pourraient être facilement touchées ou saisies par de jeunes enfants.
- Ne JAMAIS laisser un récipient de cuisson chauffer à sec ; cela pourrait abîmer l'ustensile et la cuisinière.
- Suivre les consignes du fabricant en cas d'utilisation de sacs de cuisson.
- Les ustensiles de cuisson, comme les grandes casseroles, les plaques à biscuits, etc., ne doivent jamais être utilisés sur la table de cuisson.
- Le placement des grands pots de bouillon doit être décalé lorsqu'il est utilisé sur le plan de la table de cuisson.

AVERTISSEMENTS

cette consigne peut entraîner des brûlures ou une décharge électrique.



AVERTISSEMENT:

Cancer et Troubles de l'appareil repro-

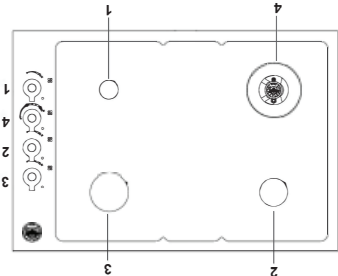
ducteur-

www.P65Warnings.ca.gov

SURFACE DE CUISSON ET BOUTONS

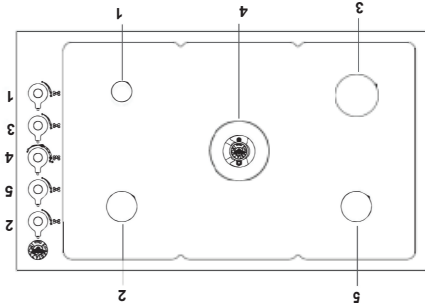
COMMANDES / ÉLÉMENTS CHAUFFANTS

- 1 Brûleur auxiliaire avant droit
- 2 Brûleur semi-rapide arrière gauche
- 3 Brûleur rapide arrière droite
- 4 Brûleur Dual avant gauche



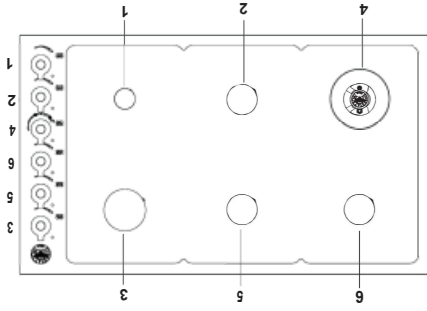
COMMANDES / ÉLÉMENTS CHAUFFANTS

- 1 Brûleur auxiliaire avant droit
- 2 Brûleur semi-rapide arrière droit
- 3 Brûleur rapide avant gauche
- 4 Brûleur Dual centrale
- 5 Brûleur semi-rapide arrière gauche



COMMANDES / ÉLÉMENTS CHAUFFANTS

- 1 Brûleur auxiliaire avant droit
- 2 Brûleur semi-rapide avant centrale
- 3 Brûleur rapide arrière droit
- 4 Brûleur Dual avant gauche
- 5 Brûleur semi-rapide arrière gauche
- 6 Brûleur semi-rapide arrière centrale



Sécurité en cuisine

- Une fois la cuisinière installée conformément aux instructions d'installation, il est important de veiller à ce que l'arrivée d'air ne soit pas obstruée. L'utilisation d'un appareil de cuisson à gaz génère de la chaleur et de l'humidité dans la pièce où il est installé.
- S'assurer que la cuisine est correctement ventilée. Veiller à ce que les orifices de ventilation naturels restent ouverts ou installer une ventilation mécanique. L'utilisation prolongée ou intensive de la cuisinière peut nécessiter une ventilation supplémentaire (par ex. l'ouverture d'une fenêtre) ou plus efficace (par ex. une ventilation mécanique de capacité supérieure).
- Pour éliminer tout risque lié aux brûleurs de surface chauds, ne pas positionner de placards directement au-dessus de la cuisinière. La température pourrait se révéler dangereuse pour certains éléments, par exemple des liquides volatils, des produits nettoyants ou des bombes aérosols.
- TOUJOURS placer un récipient de cuisson sur un brûleur de surface avant de l'allumer. S'assurer de savoir à quel bouton correspond chaque brûleur de surface. S'assurer que le brûleur correct est allumé. Une fois la cuisson terminée, éteindre le brûleur avant de retirer le récipient de cuisson pour éviter de s'exposer à une flamme.
- Veiller à TOUJOURS régler la flamme du brûleur de sorte qu'elle ne dépasse pas du fond du récipient de cuisson. Une flamme excessive est dangereuse, gaspille de l'énergie et peut endommager la cuisinière, le récipient de cuisson ou les placards situés au-dessus de la cuisinière. Ces consignes sont données à des fins de sécurité.
- Ne JAMAIS laisser une opération de cuisson en surface sans surveillance, notamment en cas de cuisson à haute température ou de friture. Les températures excessives génèrent des fumées et des projections grasses peuvent s'enflammer. Nettoyer les projections de grasse dès que possible. NE PAS cuire à haute température pendant de longs moments.
- NE PAS faire chauffer de contenants alimentaires fermés. L'accumulation de pression peut faire exploser le contenant et engendrer des blessures.
- Ne JAMAIS porter de vêtements réalisés dans des matières inflammables, non attachés ou à manches longues pendant une cuisson. Les vêtements peuvent s'enflammer ou s'accrocher aux poignées d'un ustensile. Ne

pression peut faire exploser le contenant et engendrer des blessures.

Ne JAMAIS porter de vêtements réalisés dans des matières inflammables, non attachés ou à manches longues pendant une cuisson. Les vêtements peuvent s'enflammer ou s'accrocher aux poignées d'un ustensile. Ne

pression peut faire exploser le contenant et engendrer des blessures.

Ne JAMAIS laisser une opération de cuisson en surface sans surveillance, notamment en cas de cuisson à haute température ou de friture. Les températures excessives génèrent des fumées et des projections grasses peuvent s'enflammer. Nettoyer les projections de grasse dès que possible. NE PAS cuire à haute température pendant de longs moments.

Veiller à TOUJOURS régler la flamme du brûleur de sorte qu'elle ne dépasse pas du fond du récipient de cuisson. Une flamme excessive est dangereuse, gaspille de l'énergie et peut endommager la cuisinière, le récipient de cuisson ou les placards situés au-dessus de la cuisinière. Ces consignes sont données à des fins de sécurité.

Ne JAMAIS laisser une opération de cuisson en surface sans surveillance, notamment en cas de cuisson à haute température ou de friture. Les températures excessives génèrent des fumées et des projections grasses peuvent s'enflammer. Nettoyer les projections de grasse dès que possible. NE PAS cuire à haute température pendant de longs moments.

Veiller à TOUJOURS régler la flamme du brûleur de sorte qu'elle ne dépasse pas du fond du récipient de cuisson. Une flamme excessive est dangereuse, gaspille de l'énergie et peut endommager la cuisinière, le récipient de cuisson ou les placards situés au-dessus de la cuisinière. Ces consignes sont données à des fins de sécurité.

Ne JAMAIS laisser une opération de cuisson en surface sans surveillance, notamment en cas de cuisson à haute température ou de friture. Les températures excessives génèrent des fumées et des projections grasses peuvent s'enflammer. Nettoyer les projections de grasse dès que possible. NE PAS cuire à haute température pendant de longs moments.

Veiller à TOUJOURS régler la flamme du brûleur de sorte qu'elle ne dépasse pas du fond du récipient de cuisson. Une flamme excessive est dangereuse, gaspille de l'énergie et peut endommager la cuisinière, le récipient de cuisson ou les placards situés au-dessus de la cuisinière. Ces consignes sont données à des fins de sécurité.

Ne JAMAIS laisser une opération de cuisson en surface sans surveillance, notamment en cas de cuisson à haute température ou de friture. Les températures excessives génèrent des fumées et des projections grasses peuvent s'enflammer. Nettoyer les projections de grasse dès que possible. NE PAS cuire à haute température pendant de longs moments.

Veiller à TOUJOURS régler la flamme du brûleur de sorte qu'elle ne dépasse pas du fond du récipient de cuisson. Une flamme excessive est dangereuse, gaspille de l'énergie et peut endommager la cuisinière, le récipient de cuisson ou les placards situés au-dessus de la cuisinière. Ces consignes sont données à des fins de sécurité.

Ne JAMAIS laisser une opération de cuisson en surface sans surveillance, notamment en cas de cuisson à haute température ou de friture. Les températures excessives génèrent des fumées et des projections grasses peuvent s'enflammer. Nettoyer les projections de grasse dès que possible. NE PAS cuire à haute température pendant de longs moments.

Veiller à TOUJOURS régler la flamme du brûleur de sorte qu'elle ne dépasse pas du fond du récipient de cuisson. Une flamme excessive est dangereuse, gaspille de l'énergie et peut endommager la cuisinière, le récipient de cuisson ou les placards situés au-dessus de la cuisinière. Ces consignes sont données à des fins de sécurité.

Ustensiles recommandés

Utiliser des récipients de cuisson à fond plat, dotés de poignées faciles à manipuler et non conductrices de chaleur. Éviter d'utiliser des récipients de cuisson instables, gauchis, avec des poignées desserrées ou se renversant facilement. Éviter également d'utiliser des récipients de cuisson, notamment de petite taille, avec des poignées lourdes, car ils pourraient être instables et se renverser facilement. Les récipients de cuisson sont très lourds une fois remplis et peuvent être dangereux.

S'assurer que l'ustensile utilisé est assez grand pour contenir toute la nourriture sans déborder. La taille du récipient de cuisson est fondamentalement en cas de friture. S'assurer que le récipient de cuisson sera adapté au volume de nourriture prévu ainsi qu'au bouillonnement produit par la matière grasse.

Seuls certains types d'ustensiles en verre, vitrocéramique, céramique ou matériau émaillé sont adaptés à une utilisation sur les brûleurs de surface ou dans le four, sans risque de rupture due à un choc thermique. Suivre les instructions du fabricant en cas d'utilisation de verre.

Produit par la matière grasse.

Produit par la matière grasse.

Produit par la matière grasse.

Produit par la matière grasse.

AVERTISSEMENTS

/utilisation avertissement

Les avertissements et les consignes de sécurité contenus dans ce manuel ne couvrent pas toutes les situations et conditions susceptibles de survenir. Procéder avec bon sens et attention et avec le plus grand soin lors de l'installation, de l'entretien ou de l'utilisation de l'appareil.

Les instructions doivent avoir été lues et comprises avant toute utilisation de l'appareil, afin d'éviter les risques potentiels d'incendie, de décharge électrique, de blessures ou de dommages à l'appareil résultant d'une utilisation inappropriée. L'appareil doit uniquement être utilisé aux fins prévues et décrites dans ce manuel.

Ranger soigneusement ce manuel pour toute consultation future par l'inspecteur électrique local. Après avoir lu ces instructions, les ranger soigneusement en vue d'une future consultation. Respecter les réglementations, normes et lois en vigueur.

AVERTISSEMENT !
Si les informations dans ce manuel ne sont pas suivies scrupuleusement, un incendie ou une explosion risquent de survenir et d'entraîner des dommages matériels, blessures personnelles ou la mort.

- Ne pas stocker ni utiliser de l'essence ou autres substances inflammables à proximité de cet appareil ou d'autres appareils électroménagers.

- QUE FAIRE SI VOUS SENTEZ LE GAZ

- N'allumer aucun appareil électroménager.
- Ne toucher aucun interrupteur électrique.
- N'utiliser aucun téléphone dans votre immeuble.
- Appeler immédiatement votre fournisseur de gaz depuis un téléphone voisin. Suivre les instructions du fournisseur de gaz.

- Si vous ne pouvez pas joindre vos fournisseurs de gaz, appelez le service incendie.
- L'installation et la maintenance doivent être entreprises par un installateur qualifié, agence de service ou fournisseur de gaz.

REMARQUE : L'installation et l'entretien doivent être réalisés par un installateur qualifié, une agence spécialisée ou un fournisseur de gaz.

Massachusetts :
 Tout appareil au gaz doit être installé par un plombier ou un installateur de gaz agréé par l'état. Une vanne manuelle de gaz à poignée de type « T » doit être installée sur la conduite d'alimentation en gaz de l'appareil.
 Pour un fonctionnement correct et en toute sécurité : l'appareil doit être correctement installé et mis à la terre par un technicien qualifié. NE PAS tenter de régler, réparer, réviser ou remplacer un composant de l'appareil à moins que le présent

manuel ne le recommande spécifiquement. Toute autre intervention doit être réalisée par un opérateur qualifié. L'installateur montrera l'emplacement de la vanne de fermeture du gaz et les modalités d'arrêt en cas d'urgence.

Un technicien certifié devra intervenir pour tout réglage ou conversion aux gaz naturel ou LPG.

Pour prévenir les incendies ou les dommages liés à la fumée :

- S'assurer que tous les matériaux d'emballage ont été retirés de la cuisinière avant son utilisation.
- Ne jamais laisser de vêtements, de maniques ou d'autres matériaux inflammables entrer en contact avec un élément, brûleur de surface ou grille de brûleur, tant qu'il n'a pas refroidi, ou à proximité immédiate de ce type d'élément.
- Si la cuisinière est installée près d'une fenêtre, prendre les précautions adaptées pour empêcher les rideaux de passer au-dessus des brûleurs.

- Ne jamais laisser d'objets sur la surface de cuisson. L'air chaud sortant de l'orifice de ventilation peut enflammer des objets inflammables ou augmenter la pression dans des contenants fermés et les faire exploser.
- Un grand nombre de bombes aérosol sont hautement inflammables et peuvent EXPLOSER en cas d'exposition à la chaleur.
- Éviter de les entreposer ou de les utiliser près de la cuisinière.

En cas d'incendie

Eteindre la cuisinière et la hotte d'extraction pour empêcher la diffusion des flammes. Eteindre les flammes puis rallumer la hotte pour éliminer la fumée et les odeurs.

- Surface de cuisson : Pour étouffer un feu ou des flammes dans une casserole, utiliser un couvercle ou une plaque à pâtisserie.
- Ne JAMAIS se saisir ou déplacer une casserole enflammée.
- Ne traversez pas le feu pour l'éteindre.

Sécurité des enfants

- Ne JAMAIS laisser d'enfants seuls ou sans surveillance près de la table de cuisson lorsque celle-ci est en fonctionnement ou encore chaude.
- Ne JAMAIS laisser d'enfants s'asseoir ou marcher sur des éléments de la table de cuisson, car ils pourraient être blessés ou brûlés.
- **CAUTION:** ne pas placer d'objets susceptibles d'intéresser les enfants sur la table de cuisson. Ils pourraient être gravement blessés en tentant de grimper pour atteindre ces objets.

BERTAZZONI

MANUEL D'UTILISATION

TABLE DE CUISSON À GAZ AUTONOMES

ASSISTANCE BERTAZZONI

/ Assistance Bertazzoni

Bertazzoni s'engage à fournir le meilleur service clients et la meilleure assistance produits possibles. Notre équipe de professionnels dévoués et formés répondra à vos besoins.

Si vous disposez d'un appareil Bertazzoni et souhaitez bénéficier d'une assistance aux États-Unis ou au Canada, utilisez les coordonnées

suivantes :
e-mail : after-saleservice@bertazzoni.com

Tél. - Lundi au vendredi,
7h30 à 19h30 EST (sauf jours fériés aux États-Unis).

États-Unis 866-905-0010
OUEST DU CANADA 866-905-0010 (BC, AB, SK, MB)
EST DU CANADA 800-561-7265 (ON, QC, NL, NB, NS, PE)

PRÉPARATION FINALE

- Avant d'utiliser le four, retirer tout film protecteur éventuellement présent sur les surfaces en acier inoxydable.
- Toutes les parties du corps en acier inoxydable doivent être nettoyées avec de l'eau chaude savonneuse et un détergent liquide adapté à l'acier inoxydable.
- En présence de dépôts, ne pas utiliser de laine d'acier, de linges abrasifs, de produits ou de poudres nettoyants.
- Si l'acier inoxydable doit être gratté pour en retirer les incrustations, mouiller avec un chiffon humide et chaud pour ramollir le dépôt, puis utiliser une raclette en bois ou en nylon.
- Ne pas utiliser de couteau, de spatule ou tout autre ustensile en métal pour gratter l'acier inoxydable ! Les rayures sont très difficiles à enlever.

Liste de contrôle pour l'installation

- Un installateur qualifié devra réaliser les contrôles suivants :
- La garniture ou la protection arrière est-elle fixée conformément aux instructions fournies ?
 - Le dégagement par rapport aux surfaces des meubles est-il conforme aux consignes du fabricant ?
 - Le raccordement à la terre a-t-il été correctement réalisé ?
 - La conduite d'alimentation en gaz est-elle conforme aux consignes du fabricant ?
 - Les vannes, les soupapes d'arrêt et le joint ont-ils été installés entre la cuisinière et la conduite d'alimentation ?
 - Le branchement de gaz a-t-il été testé et est-il exempt de fuites ?
 - L'appareil est-elle adaptée au type de gaz disponible dans l'habitation ?
 - Chaque brûleur fonctionne-t-il de manière satisfaisante, à la fois séparément et en même temps que les autres brûleurs ?
 - La flamme est-elle bleue, sans pointes jaunes, crépitements ou remontées de flamme ?
 - Le minimum a-t-il été réglé pour tous les brûleurs ?

Étape 4 : réglage du minimum

AVERTISSEMENT !

Ces réglages doivent uniquement être réalisés en vue d'une utilisation de la table de cuisson avec du gaz naturel. En cas d'utilisation avec du propane liquide, la vis d'étranglement doit être complètement tournée dans le sens horaire.

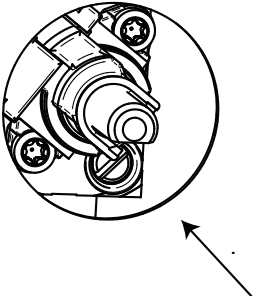
BRÛLEURS DE LA SURFACE DE CUISSON

Allumer un brûleur à la fois et positionner le bouton sur la position MINIMUM (petite flamme).

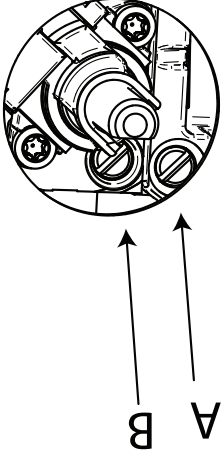
Retirer le bouton.

La cuisinière est équipée d'une soupape de sécurité. Au moyen d'un tournevis plat de petites dimensions, repérer la soupape d'étranglement sur le corps de la soupape et tourner la vis d'étranglement vers la droite ou la gauche jusqu'à ce que la flamme du brûleur atteigne le minimum souhaité.

S'assurer que la flamme ne s'éteint pas lors du passage rapide de la position MAXIMUM à la position MINIMUM.



Pour la vanne de gaz du double brûleur, la soupape d'étranglement est située sur le corps de la vanne (fig. 20) : la vis A permet de régler l'anneau extérieur et la vis B l'anneau intérieur.



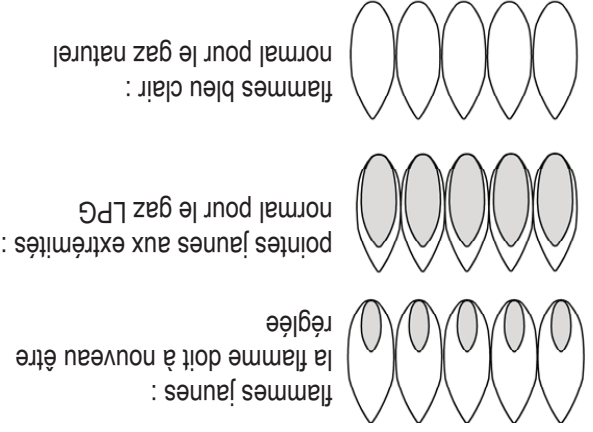
Installation haute altitude.

Contactez le service à la clientèle pour une utilisation à des altitudes supérieures à 2000 pieds (610 mètres).

Étape 3: contrôles visuels

La flamme du brûleur doit être bleue, sans coloration jaune aux extrémités. Il n'est pas rare de voir de l'orange sur la flamme. Cela indique la combustion d'impuretés en suspension dans le gaz et disparaîtra pendant l'utilisation. Avec du gaz propane (LPG), il est normal de voir de petites pointes jaunes sur les premières flammes. La combustion de la flamme doit être complète autour du chapeau du brûleur. Dans le cas contraire, vérifier que le chapeau est correctement positionné sur son support et que les orifices ne sont pas obstrués.

La flamme doit être stable, sans bruit ni oscillation excessive.



CONVERSION À UN AUTRE TYPE DE GAZ

Avertissement !
 Avant de réaliser cette opération, débrancher l'appareil de l'alimentation en gaz et en électricité. La conversion doit être effectuée par un professionnel formé à cet effet par le fabricant. Appeler le service clients pour trouver le professionnel formé par le fabricant le plus proche.

Pour cet appareil, la procédure de conversion à un autre type de gaz comprend 4 étapes :

- Régulateur de pression
- Brûleurs de la surface de cuisson
- Contrôles visuels avant la fermeture du panneau arrière du four
- Réglage du minimum

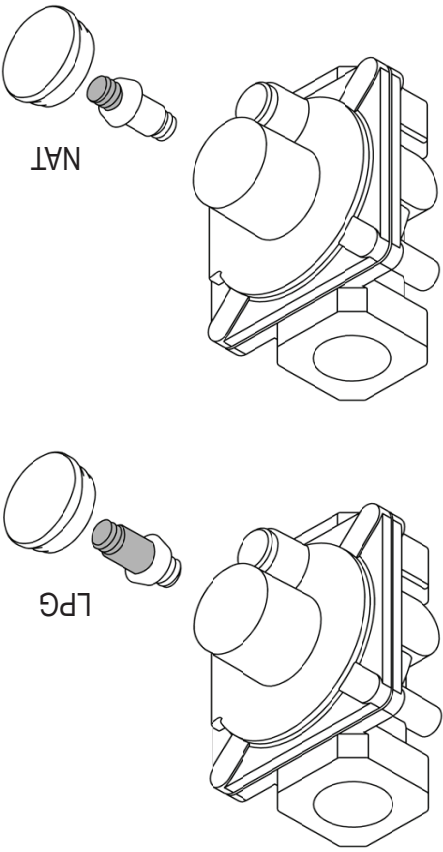
La conversion n'est pas terminée tant que ces 4 étapes n'ont pas été correctement réalisées.

Avant de réaliser la conversion à un autre type de gaz, trouver le sachet contenant l'injecteur de remplacement fourni avec la table de cuisson.

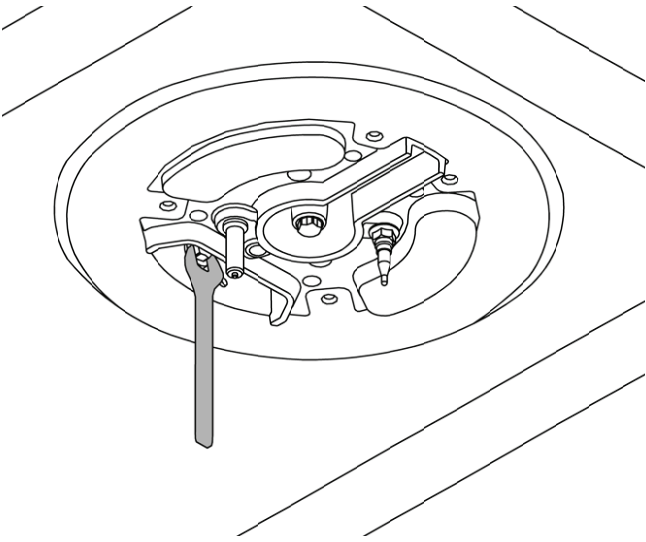
IMPORTANT : Sur chaque injecteur se trouve un numéro correspondant à son débit. Consulter le tableau n° 1 pour connaître la correspondance entre les injecteurs et les brûleurs. Conserver les injecteurs retirés de la cuisinière pour toute utilisation future.

Étape 1 : régulateur de pression
 Le régulateur de pression fourni avec l'appareil est de type convertible, adapté à une utilisation avec du gaz naturel à une pression nominale de 4" inH₂O ou avec du gaz LPG à une pression nominale de 10" inH₂O. Il a été réglé en usine pour fonctionner avec l'un de ces gaz ou pressions, comme indiqué sur les étiquettes apposées sur l'appareil, l'emballage et dans le livret d'instructions.
 Convertir le régulateur pour l'utiliser avec un autre gaz :

dévisser à la main le couvercle supérieur du régulateur, retirer l'attache en plastique blanc du couvercle, inverser son sens et le revisser fermement contre le couvercle. L'attache en plastique blanc comporte des flèches indiquant la position du gaz naturel (NAT) et du gaz LPG (PL). Visser à la main le couvercle métallique dans sa position d'origine sur le régulateur.



Étape 2 : brûleurs de la surface de cuisson
 Pour remplacer les injecteurs des brûleurs de la surface de cuisson, soulever les brûleurs et dévisser les injecteurs fournis avec la cuisinière au moyen d'une clé de 7 mm (à douille). Remplacer les injecteurs en utilisant le kit de conversion fourni avec la cuisinière ou par un magasin de pièces détachées Bertazzoni agréé. Sur chaque injecteur se trouve un numéro correspondant à son débit. Consulter le tableau n° 1 pour connaître la correspondance entre les injecteurs et les brûleurs.



INSTALLATION DE L'APPAREIL**Déballage de la table de cuisson**

- Retirer tous les matériaux d'emballage de la palette d'expédition sans toucher à la mousse postérieure adhésive sur les surfaces en métal brosse, afin de protéger la table de cuisson des rayures jusqu'à son installation à son emplacement final. Ne retirer que le film protégeant les panneaux latéraux avant de positionner la table de cuisson entre les meubles de cuisine.
- Examiner la table de cuisson après l'avoir déballée. En cas de dommage résultant du transport, ne pas la brancher. Prendre des photos du dommage et en informer immédiatement le transporteur.
- Retirer les grilles, plaques et chapeaux des brûleurs pour faciliter le déplacement de la table de cuisson.

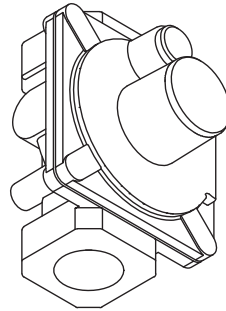
Sécurité de maintenance des appareils**Attention**

- L'unité est lourde et il faut au moins deux personnes ou de l'équipement approprié pour se déplacer.
- Les surfaces cachées peuvent avoir des bords tranchants. Soyez prudents lorsque vous arrivez derrière ou sous l'appareil.

RÉGULATEUR DE PRESSION

Dans la mesure où la pression de service peut fluctuer en fonction de la demande locale, chaque appareil de cuisson au gaz doit être équipé d'un régulateur de pression sur la conduite d'alimentation, pour garantir un fonctionnement sûr et efficace.

Le régulateur de pression fourni avec l'appareil dispose de deux filetages femelles 1/2" NPT. Le régulateur doit être correctement installé afin d'être accessible une fois l'appareil installé dans son emplacement final.



La pression dans le collecteur doit être contrôlée au moyen d'un manomètre et être conforme aux valeurs indiquées ci-après :

Gaz naturel 4,0" inH2O
LPG/Propane 10,0" inH2O

La pression de la conduite d'alimentation en amont du régulateur doit être supérieure de 1" inH2O à celle dans le collecteur afin de pouvoir contrôler le régulateur.

Le régulateur utilisé avec l'appareil est adapté à une pression d'alimentation maximale de 1/2 psi (13,8" inH2O ou 3,5 kPa). Si la pression d'alimentation dépasse cette valeur, un hacheur série est nécessaire.

L'appareil, sa vanne de fermeture individuelle et le régulateur de pression doivent être débranchés de la conduite de gaz en cas de contrôle de la pression du circuit à des pressions supérieures à 1/2 psi (13,8" inH2O ou 3,5 kPa).

La vanne manuelle de fermeture doit être FERMÉE lors de chaque test de pression du circuit d'alimentation en gaz à des pressions de test inférieures ou égales à 1/2 psi (13,8" inH2O ou 3,5 kPa).

Avertissement

Avant toute opération d'entretien, débrancher la table de cuisson des sources d'alimentation en gaz et en électricité, et débrancher tout autre appareil de la zone d'installation finale afin d'avoir accès à la cuisinière et de pouvoir réaliser correctement l'opération d'entretien.

RACCORDEMENT AU GAZ

/ Raccordement au gaz

Avvertissement !
NE PAS UTILISER DE FLAMME LIBRE POUR RECHERCHER LES FUITES DE GAZ !

La recherche de fuites sur la table de cuisson doit être réalisée conformément aux instructions du fabricant. Avant d'utiliser le four, toujours réaliser une recherche de fuites avec une solution d'eau savonneuse ou toute autre méthode valide. Vérifier l'absence de fuites de gaz en utilisant de l'eau savonneuse ou en ayant recours à d'autres méthodes valides pour tous les raccords de gaz installés entre la conduite d'alimentation en gaz de l'appareil, le régulateur de gaz et la vanne de fermeture manuelle.

Tous les raccords au gaz doivent être conformes aux réglementations locales et nationales. La conduite d'alimentation en gaz doit être de dimensions au moins égales à celles du tuyau d'entrée de l'appareil. Cette table de cuisson utilise un adaptateur NPT 1/2" (voir le dessin ci-après pour des informations sur le raccordement au gaz). Pour toutes les jonctions de tuyaux, utiliser un joint adapté résistant au gaz ; pour joindre l'adaptateur et le collecteur de la table de cuisson, utiliser uniquement le joint fourni. Le cas échéant, la conversion de l'appareil doit être réalisée par le revendeur, un professionnel formé par le fabricant, un plombier ou une entreprise spécialisée, qualifiée et agréée.

La conversion est importante pour une utilisation efficace et sûre de l'appareil. Il incombe au revendeur et au propriétaire de la cuisinière de réaliser une conversion au gaz adaptée et conforme aux instructions du fabricant. LA PROCÉDURE DE CONVERSION EST DÉCRITE DANS CE MANUEL ET DANS LE SACHET CONTENANT LES DIFFÉRENTS INJECTEURS FOURNI AVEC LA TABLE DE CUISSON. Ce manuel doit être fourni à la personne en charge de l'entretien avant toute intervention sur la table de cuisson.

VANNE DE FERMETURE MANUELLE
CETTE VANNE N'EST PAS EXPÉDIÉE AVEC LA TABLE DE CUISSON ET DOIT ÊTRE FOURNIE PAR L'INSTALLATEUR.
La vanne de fermeture manuelle doit être installée sur la conduite d'alimentation en gaz, entre le branchement mural et l'entrée de l'appareil, dans une position rapidement accessible en cas d'urgence.

Massachusetts : Une vanne manuelle de gaz à poignée de type « T » doit être installée sur la conduite d'alimentation en gaz de l'appareil.

TUYAUX FLEXIBLES

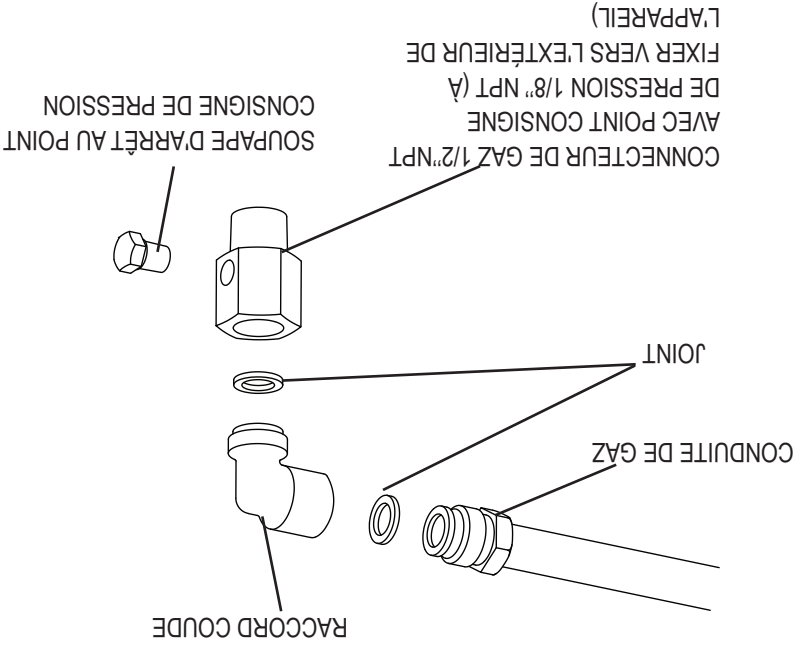
En cas d'installation avec des tuyaux flexibles AGA pour une utilisation commerciale, d'au moins 1/2" (1,3 cm) de diamètre interne (I.D.) NPT (enfichables) conforme aux normes ANSI Z21.41 et Z21.69.

Massachusetts : Installer la table de cuisson avec un raccord de gaz flexible d'une longueur de 36" (3 pieds).

Canada : Utiliser des connecteurs métalliques CAN 1-6-10-88 pour cuisinière à gaz et un dispositif à déconnexion rapide CAN 1-6-9 M79 en cas d'utilisation avec du gaz.

SOUPAPE D'ARRÊT AU POINT CONSIGNE DE PRESSION

Pour éviter les fuites de gaz, la soupape d'arrêt au point consigne de pression et le joint fourni avec la cuisinière doivent être installés sur le raccord de gaz à l'arrière de la table de cuisson, conformément au schéma ci-après.

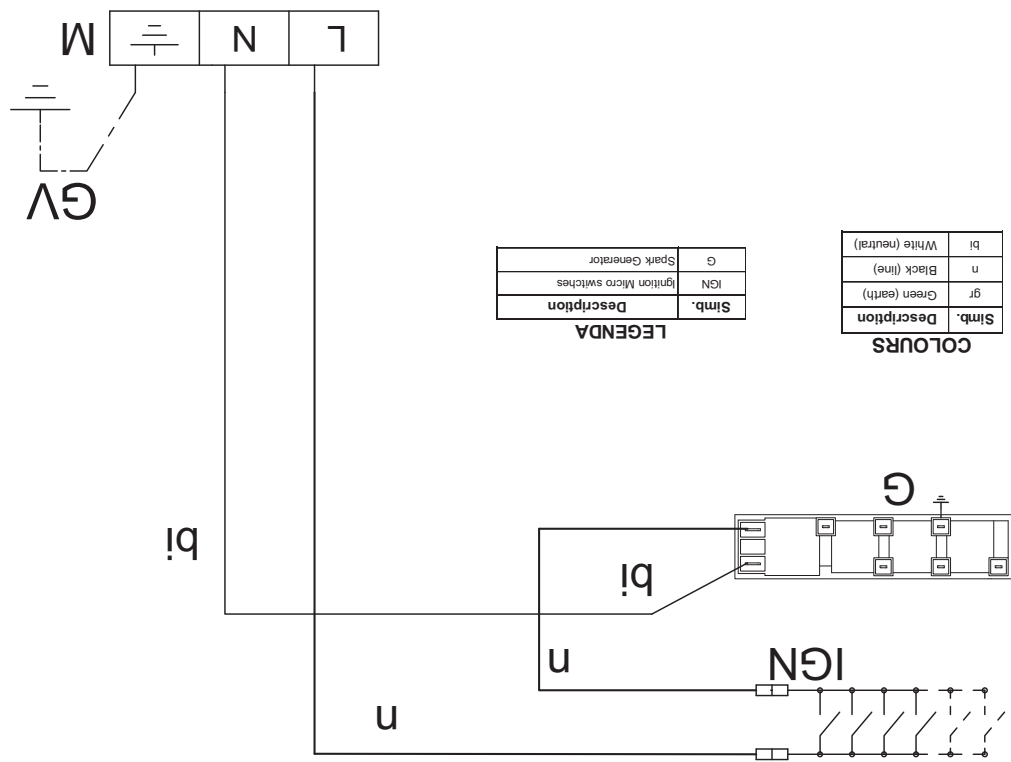


RACCORDEMENT ÉLECTRIQUE

N'utilisez pas de rallonge avec la cuisinière à gaz. Planifiez l'installation de sorte que la connexion de puissance soit accessible à partir de l'avant de l'armoire.

SCHEMA DE CÂBLAGE

Les schémas de câblage électrique figurent à l'arrière de la table de cuisson et ne peuvent être retirés que par un technicien de maintenance, qui doit les remettre en place une fois l'entretien réalisé.



CONDITIONS D'INSTALLATION

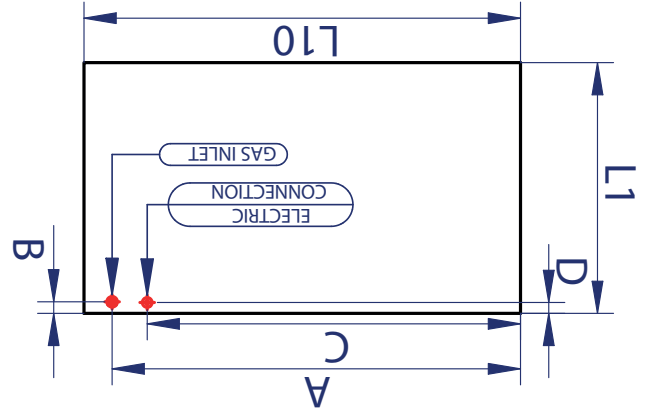
ELECTRICITÉ

Une prise électrique montée horizontalement et correctement mise à la terre doit être installée. Vérifier les dispositions des réglementations locales.

GAZ

Une vanne de fermeture manuelle correctement dimensionnée et approuvée par un organisme agréé doit être installée.

Pour réaliser le raccordement en gaz entre la vanne de fermeture et le régulateur, utiliser un flexible de dimensions adaptées ou un tuyau rigide approuvé par un organisme agréé. Vérifier les dispositions des réglementations locales.



	COOKTOP 30''	COOKTOP 36''
A	26''5/8(677mm)	33''5/16(847mm)
B	15''1/6(24mm)	15''1/6(24mm)
C	23''3/4(604mm)	30''1/2(774mm)
D	7/8(23mm)	7/8(23mm)
L1	20''1/2(520mm)	20''1/2(520mm)
L10	28''15/16(735mm)	35''5/8(905mm)

RACCORDEMENT ELECTRIQUE

DANGER !

Couper l'alimentation électrique au niveau du disjoncteur ou du tableau à fusibles avant d'installer l'appareil. L'appareil doit être correctement mis à la terre. Utiliser uniquement des conducteurs en cuivre. Le non-respect de ces instructions pourrait entraîner de graves blessures, voire la mort.

Cette table de cuisson a été fabriquée pour être branchée sur un système de 16 A, 120 V / 60 Hz, mis à la terre et polarisé. Sa consommation électrique est d'environ 200 W pour 36'', et de 1200 W pour 48''. Un minimum de 102 Vca est nécessaire pour un fonctionnement correct des systèmes d'allumage du gaz.

Le système doit être mis à la terre et correctement polarisé. La table de cuisson est dotée d'un câble d'alimentation de type SJT et d'une prise NEMA 5-15P. Le cas échéant, le câble d'alimentation doit être remplacé par un câble de même type, grossier et longueur.

Attention

Mise à la terre
L'appareil est équipé d'une prise à trois broches qui garantit une protection contre les décharges électriques. Elle doit être branchée directement à une prise murale correctement mise à la terre. Ne pas couper ou retirer la broche de terre de cette prise.

Attention
Étiqueter chaque câble avant de débrancher pour effectuer des contrôles d'entretien. Des erreurs de câblage peuvent entraîner un fonctionnement incorrect et dangereux. Vérifier le bon fonctionnement de la cuisinière après l'entretien.

Pour les appareils équipés d'un cordon et d'une prise, ne coupez pas ou n'enlevez pas la pince du sol. Il doit être branché à un réceptacle de type mise à la terre correspondant pour éviter les chocs électriques. S'il y a un doute quant à savoir si le réceptacle mural est correctement mis à la terre, le client doit le faire vérifier par un électricien certifié.

FIXATION DE LA PLAQUE DE CUISSON

Pour prévenir les infiltrations accidentelles de liquides dans le meuble situé au-dessous, l'appareil est doté d'un joint spécifique.

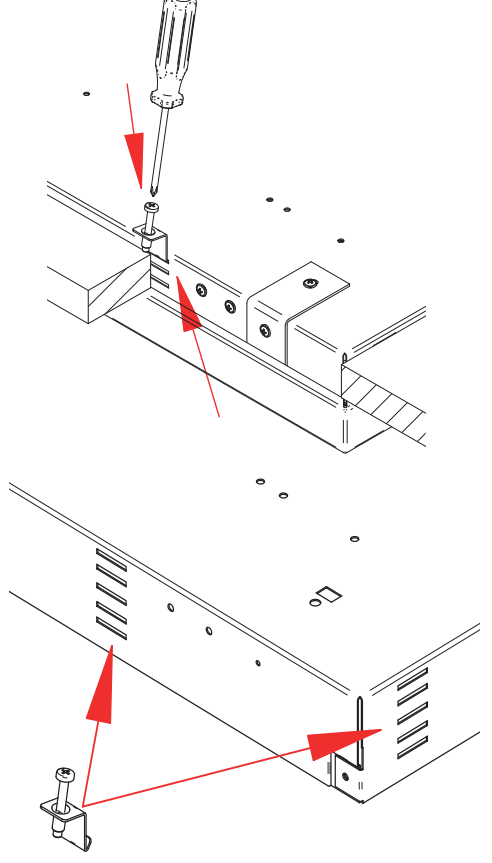
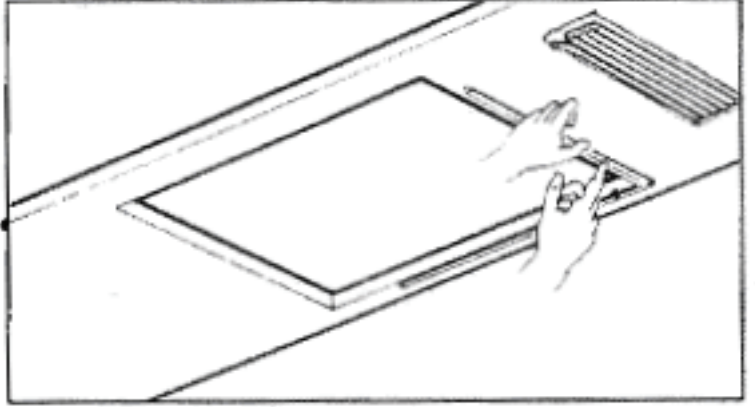
1) Disposez les bandes d'étanchéité protectrices le long des bords de l'ouverture du banc de travail et couvrez soigneusement l'extrémité de la bande.

2) Insérez la table de cuisson dans l'ouverture du banc de travail.

3) A l'aide d'un tournevis assemblez les supports en dessous de la table de cuisson au moyen des vis.

4) Positionnez les crochets dans la position et fixez-les avec les vis.

5) Recoupez la partie des bandes protectrices qui s'étendent au-delà de la base de la table de cuisson.



MANUEL TECHNIQUE POUR L'INSTALLATEUR**INSTALLATION AU-DESSUS D'UN LOGEMENT****OU DE TIROIRS**

La distance entre la plaque de cuisson et les meubles de cuisine doit garantir une ventilation et une évacuation de l'air suffisantes. En présence d'autres meubles (parois latérales, tiroirs, etc.), lave-vaisselle ou réfrigérateur, sous la plaque de cuisson, il est nécessaire d'installer un double fond en bois à une distance d'au moins 20 mm du dessous de la plaque de cuisson pour éviter tout contact accidentel. Le retrait du double fond doit être possible uniquement à l'aide d'outils prévus à cet effet.

Le comptoir doit être capable de résister à des températures allant jusqu'à 300°F (149°C).

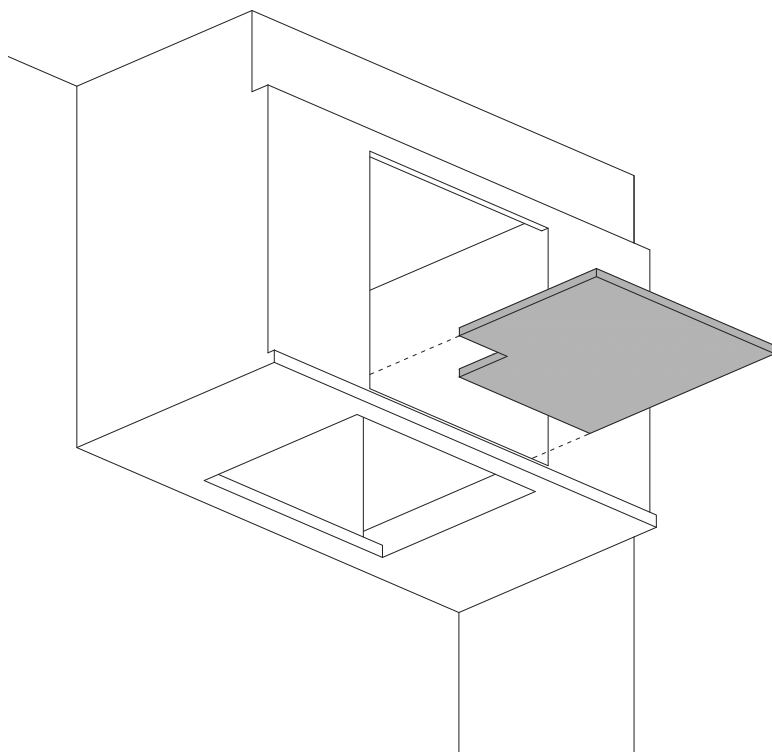
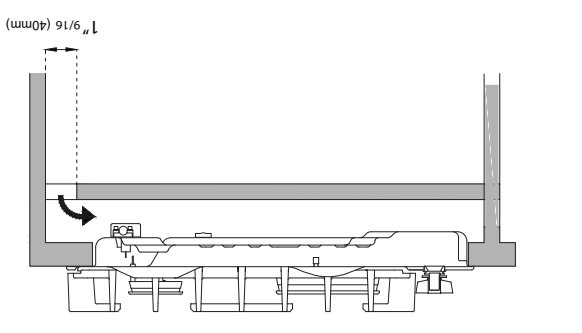
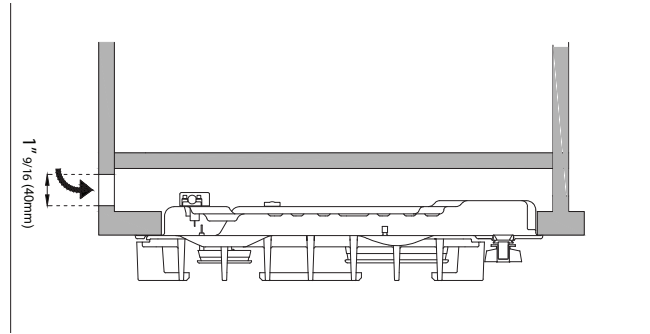
INSTALLATION AU-DESSUS D'UN FOUR ENCASTRÉ

La distance entre la plaque de cuisson et les meubles de cuisine ou les appareils encastrés doit garantir une ventilation et une évacuation de l'air suffisantes.

En cas d'installation au-dessus d'un four, il est nécessaire de maintenir un espace entre le dessous de la plaque de cuisson et la partie supérieure de l'appareil installé au-dessus ainsi que de garantir la ventilation de tout le logement (comme indiqué sur la figure).

Le four doit être doté d'un système de refroidissement. Le fabricant décline toute responsabilité en cas d'installation sur un four d'une autre marque.

Le comptoir doit être capable de résister à des températures allant jusqu'à 300°F (149°C).



ESPACE DE DÉGAGEMENT

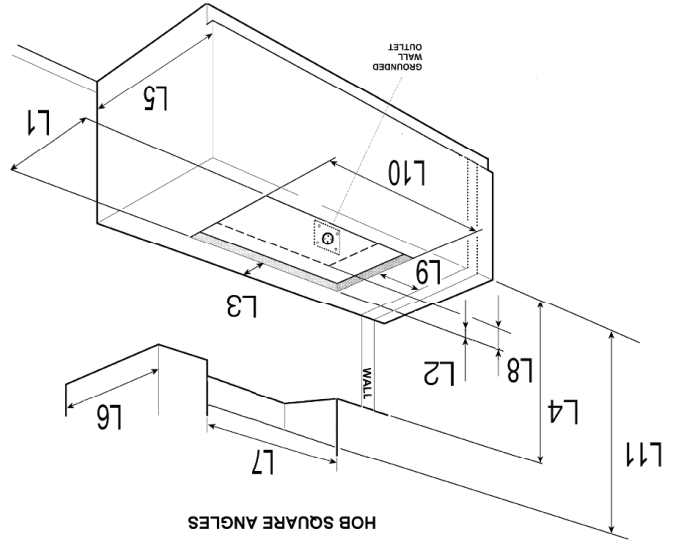
Installation adjacente à des meubles de cuisine
 Cette table de cuisson peut être installée à proximité directe de plans de travail avec meubles intégrés (36" ou 91,5 cm par rapport au sol).

Pour un aspect optimal, la surface de la table de cuisson doit être au même niveau que celle du plan de travail avec meuble intégré. Pour ce faire, régler la hauteur de l'appareil en agissant sur les dispositifs de réglage des pieds.

ATTENTION : la table de cuisson NE DOIT PAS être installée à proximité directe des murs de la cuisine, de meubles ou d'appareils hauts, ou d'autres surfaces verticales de plus de 36" (91,4 cm) de hauteur. Dans ces cas, l'espace latéral doit être d'au moins 6" (15,2 cm).

Les meubles muraux présentant cet espace latéral minimum doivent être installés à 18" (45,7 cm) au-dessus du plan de travail, avec une hauteur de plan de travail comprise entre 35 1/2" (90,2 cm) et 37 1/4" (94,6 cm). La profondeur maximale des meubles muraux au-dessus de la cuisinière doit être de 13" (33 cm).

Meuble de cuisine

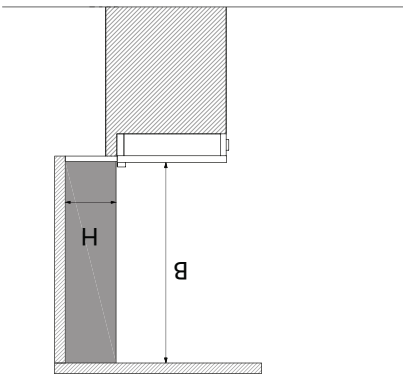


	COOKTOP 30"	COOKTOP 36"
L1	20" 1/2 (52 cm)	20" 1/2 (52 cm)
L2	1" 9/16 (4 cm)	1" 9/16 (4 cm)
L3	2" 3/16 (5,5 cm)	2" 3/16 (5,5 cm)
L4	18" (45,7 cm)	18" (45,7 cm)
L5	25" 3/16 (64 cm)	25" 3/16 (64 cm)
L6	13" (33 cm)	13" (33 cm)
L7	29" 7/16 (74,8 cm)	36" 7/16 (92,5 cm)
L8	3" 1/8 (8 cm)	3" 1/8 (8 cm)
L9	6" 1/4 (16 cm)	6" 9/16 (16,6 cm)
L10	28" 15/16 (73,5 cm)	35" 5/8 (90,5 cm)
L11	36" (91,5 cm)	36" (91,5 cm)

Hotte métallique

B min 25" 1/2 (65 cm)

H min 12" (30,5 cm)



La zone grisée derrière la table de cuisson indique l'espace minimum à respecter par rapport à la surface de la table de cuisson. Aucun matériau combustible ne doit se trouver dans cette zone. Pour des installations autonomes, la surface de travail doit être dotée d'un bord saillant faisant la jonction avec la partie arrière de la garniture. Comme indiqué dans la réglementation américaine en matière de gaz ANSI Z223.1 (édition actuelle). Le dégagement par rapport aux matériaux non combustibles ne rentre pas dans le cadre de la norme ANSI Z21.1 et n'est pas certifié par l'Association canadienne de normalisation (CSA). Les dégagements de moins de 12" (305 mm) doivent être conformes aux réglementations locales et/ou être approuvés par l'autorité locale compétente.

Brûleur	Injecteur	Gaz	Pression [inH2O]	Valeur maximale [W]	Valeur minimale [W]	Dérivation
Auxiliaire	0.92	Gaz naturel	4"	3,750	1,098	Régulé
	0.56	LPG (propane)	10"	3,750	1,098	Régulé
Semi-rapide	1.17	Gaz naturel	4"	6,000	1,729	Régulé
	0.73	LPG (propane)	10"	6,300	1,845	Régulé
Rapide	1.55	Gaz naturel	4"	10,400	2,046	Régulé
	0.98	LPG (propane)	10"	11,400	3,339	Régulé
Double brûleur	0.80+1.30	Gaz naturel	4"	17,000	4,980	Régulé
	0.50+0.83	LPG (propane)	10"	18,800	5,507	Régulé

Consulter le manuel d'utilisation et d'entretien pour connaître la configuration des brûleurs de votre table de cuisson.

Préparation du Meuble de cuisine

1. Pour assurer des résultats professionnels, les ouvertures d'armoire et de comptoir devraient être préparées par un technicien qualifié d'armoire.

2. Les autorisations indiquées dans la figure sont nécessaires.

3. L'alimentation en gaz et en électricité doit être située dans une zone accessible sans

nécessiter l'enlèvement de la table de cuisson.

Le cordon d'alimentation électrique de l'appareil et la raccordement du tuyau de gaz sont situés à l'arrière gauche

Préparer l'ouverture finie pour la table de cuisson en fonction des dimensions indiquées dans l'illustration de la page suivante.

La plate-forme doit inclure un découpage à l'arrière droit pour les connexions d'alimentation électrique et de gaz. Il doit être de niveau pour s'assurer que la surface de cuisson est de niveau.

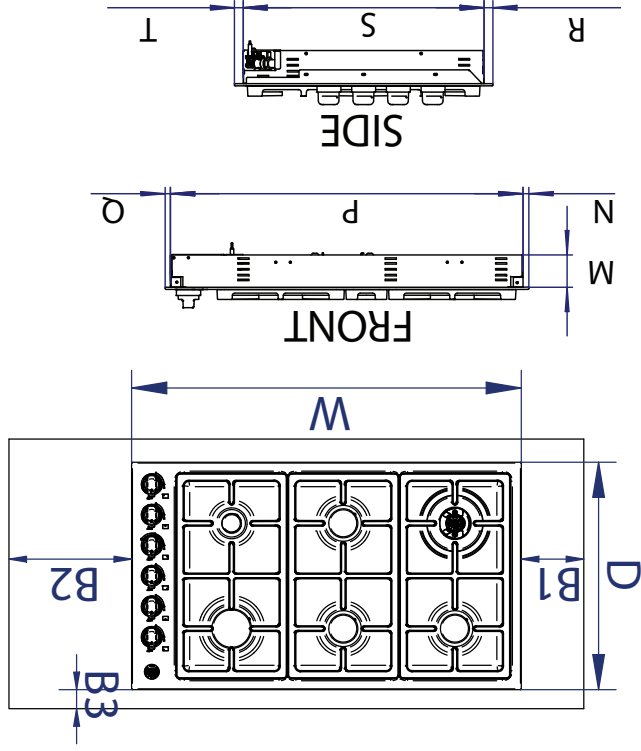
Consultez le chapitre suivante pour obtenir un soutien de base minimum.

PRÉPARATION DE LA VENTILATION

Cette table de cuisson a un fonctionnement optimal en cas d'installation avec une hotte d'extraction Bertazzoni. Ces hottes, conçues pour être associées à la gamme Bertazzoni, offrent un aspect impeccable grâce à leur finition identique. Avant d'installer la hotte d'extraction, consulter les réglementations locales ou régionales en matière de construction et d'installation pour connaître les critères spécifiques aux espaces de dégagement. Pour plus d'informations, se reporter aux instructions d'installation de la hotte fournies par le fabricant.

- **Choisir les modèles de hotte et de ventilateur :** En cas d'installation murale, la hotte doit présenter une largeur au moins égale à celle de la table de cuisson. Lorsque l'espace le permet, il peut être souhaitable d'installer une hotte plus large que la table de cuisson, pour une meilleure ventilation.
- En cas d'installations autonomes, la largeur de la hotte doit dépasser celle de la table de cuisson d'au moins 3" (76 mm) de chaque côté.

SPECIFICATIONS



	M	2" 5/8 (6,6 cm)	2" 5/8 (6,6 cm)
	N	1/2" (1,2 cm)	3/4" (1,9 cm)
	P	28" 9/16 (72,5 cm)	35" 1/4 (89,5 cm)
	Q	7/16" (1,1 cm)	7/16" (1,1 cm)
	R	3/4" (1,8 cm)	3/4" (1,8 cm)
	S	19" 13/16 (50,3 cm)	19" 13/16 (50,3 cm)
	T	3/4" (1,8 cm)	3/4" (1,8 cm)
cooktop 30"			
cooktop 36"			

- **Air d'appoint :** En présence d'un volume élevé d'air de ventilation, il est recommandé de disposer d'une source d'air de remplacement extérieur. Cela est particulièrement important pour les habitations fermées hermétiquement et fortement isolées. Consulter une entreprise de chauffage et de ventilation qualifiée.

- **Positionnement de la hotte :** Pour une meilleure extraction des fumées et des odeurs, le bord inférieur de la hotte doit se trouver entre 25 1/2" (65 cm) et 31 1/2" (80 cm) au-dessus de la surface de cuisson de la cuisinière.
- Si la hotte contient des matériaux combustibles (par ex. parement en bois), elle doit être installée à au moins 36" (914 mm) au-dessus de la surface de cuisson.

	W	D	B1 - B2	B3
cooktop 30"	29" 7/16 (74,8 cm)	21" 1/4 (54 cm)	6" (15,2 cm)	1" 3/4 (4,5 cm)
cooktop 36"	36" 7/16 (92,5 cm)	21" 1/4 (54 cm)	6" (15,2 cm)	1" 3/4 (4,5 cm)

ÉTIQUETTE SIGNALÉTIQUE

L'étiquette signalétique indique le modèle et le numéro de série de la table de cuisson. Elle se trouve derrière la table de cuisson et à la dernière page de ce manuel.

AVANT L'INSTALLATION

- L'appareil doit être installé uniquement par un professionnel autorisé.
- Cet appareil doit être installé conformément aux instructions d'installation du fabricant.
- L'appareil doit être installé conformément aux normes et aux réglementations du pays d'installation.
- L'installation de cet appareil doit être conforme aux réglementations locales. En l'absence de réglementations locales, l'installation doit être conforme aux normes américaines du National Fuel Gas Code ANSI Z223.1 – dernière édition/NFPA 54 ou B149.1.
- Une fois installé, l'appareil doit être raccordé à la terre conformément aux réglementations locales ou, en leur absence, à la réglementation américaine en matière d'électricité (NEC), ANSI/NFPA 70.

Si les réglementations locales l'autorisent, un raccord métallique flexible de nouvelle conception homologué conformément aux normes AGA ou CGA, de 5 pieds (1,5 m) max. de longueur, 1/2" de diamètre interne (I.D.), est recommandé pour raccorder l'appareil à la conduite d'alimentation en gaz. Veiller à ne pas plier ou endommager le raccord flexible lors du déplacement de l'appareil.

L'appareil doit être utilisé avec le régulateur de pression fourni.

Le régulateur doit être correctement installé afin d'être accessible une fois l'appareil installé dans son emplacement final. Le régulateur de pression doit être réglé conformément au type de gaz utilisé. Le régulateur de pression dispose d'un filetage interne femelle 1/2". Une fixation adaptée doit être déterminée en fonction des dimensions de la conduite d'alimentation en gaz, du raccord métallique flexible et de la vanne de fermeture.

L'appareil doit être isolé du système d'alimentation en gaz en fermant la vanne manuelle individuelle lors de chaque test de pression du système d'alimentation en gaz à des pressions de test inférieures ou égales à 1/2 psi (13,8 inH₂O ou 3,5 kPa).

Toutes les ouvertures et les trous dans le mur et le plancher, derrière et sous l'appareil, doivent être scellés avant l'installation de celui-ci.

Une vanne manuelle doit être installée dans un emplacement accessible sur la conduite d'alimentation en gaz, indépendante de l'appareil, afin d'ouvrir ou de fermer l'alimentation en gaz.

Type de gaz

Cette table de cuisson peut fonctionner avec du gaz naturel ou du gaz propane/LPG. Cette table de cuisson est expédiée de l'usine pour être utilisée avec le gaz indiqué sur l'étiquette signalétique se trouvant sur la face inférieure du panneau de commande et à la dernière page de ce manuel. Une procédure de conversion pas à pas est également comprise dans ce manuel et dans tout kit de conversion.

Pression du gaz

La pression d'alimentation en gaz maximale pour le régulateur de pression de la cuisinière à gaz est de 1/2 psi (13,8 inH₂O ou 3,5 kPa). La pression d'alimentation en gaz minimale pour vérifier le réglage du régulateur doit être d'au moins 1 inH₂O (249 Pa) au-dessus de la pression d'alimentation spécifiée pour le collecteur. Cette pression de fonctionnement est de 4 inH₂O (1,00 kPa) pour le gaz naturel et de 10 inH₂O (2,50 kPa) pour le gaz LPG.


Ventilation de la pièce

Il convient d'associer un ventilateur extracteur à l'appareil. Celui-ci doit être installé conformément aux normes locales et nationales en vigueur. Le fonctionnement d'une hotte aspirante peut avoir une incidence sur d'autres appareils de ventilation. Elle doit être installée conformément aux normes locales et nationales en vigueur.

Avertissement

Cet appareil ne doit pas être installé avec un système de ventilation qui dirige l'air vers le bas, en direction de la cuisinière. Ce type de système de ventilation peut entraîner des incendies et des problèmes de combustion, avec pour conséquences des blessures, des dommages aux biens et un fonctionnement non maîtrisé. Il n'existe pas de restrictions concernant les systèmes de ventilation qui dirigent l'air vers le haut.

Ne pas utiliser de sprays aérosols à proximité de l'appareil en fonctionnement.

 **AVERTISSEMENT:**
Cancer et Troubles de l'appareil repro-
ducteur-
www.P65Warnings.ca.gov.

AVERTISSEMENTS

Pour un fonctionnement correct et en toute sécurité, l'appareil doit être correctement installé et mis à la terre par un technicien qualifié. NE PAS tenter de régler, réparer, réviser ou remplacer un composant de l'appareil à moins que le présent manuel ne le recommande spécifiquement. Toute autre intervention doit être réalisée par un opérateur qualifié. L'installateur montrera l'emplacement de la vanne de fermeture du gaz et les modalités d'arrêt en cas d'urgence. Un technicien certifié devra intervenir pour tout réglage ou conversion aux gaz naturel ou LPG.

POUR L'INSTALLATEUR : Avant d'installer l'appareil Bertazzoni, veuillez lire attentivement ces instructions. Cet appareil doit être installé conformément aux instructions d'installation du fabricant. **IMPORTANT:** Ces instructions doivent être laissées à la disposition du propriétaire, qui les conservera pour toute consultation future ou en cas de visite d'un inspecteur. NE PAS retirer les étiquettes, les avertissements ou les plaques permanentes apposés sur le produit. Cela risquerait d'annuler la garantie.

L'installation doit être conforme aux réglementations locales. En l'absence de réglementations locales, États-Unis : l'installation doit être conforme à la réglementation nationale relative au gaz (National Fuel Gas Code) ANSI Z223.1 NFPA54. Massachusetts : Tout appareil au gaz doit être installé par un plombier ou un installateur de gaz agréé par l'état. Une vanne manuelle à poignée de type « T » doit être installée sur la conduite d'alimentation en gaz de l'appareil.

- Canada : L'installation doit être réalisée conformément aux réglementations en matière d'installation au gaz CAN/CGA B149.1 et CAN/CGA B149.2 et/ou aux réglementations locales. L'installation électrique doit être conforme à la réglementation canadienne en matière d'électricité CSA C22.1, Partie 1, et/ou aux réglementations locales.

La cuisinière N'A PAS été conçue pour être installée dans des maisons préfabriquées (mobiles) ou des caravanes.

NE PAS installer la cuisinière en extérieur.

L'appareil doit être correctement raccordé à la terre. Le raccordement à la terre réduit le risque de décharge électrique en fournissant un passage sécurisé au courant électrique en cas de court-circuit.

Avertissement !

Pour éviter les risques de lésion, de blessure mortelle ou de dommages aux biens, suivre scrupuleusement les informations contenues dans ce manuel visant à prévenir les incendies ou les explosions.

AVERTISSEMENT !

Si les informations dans ce manuel ne sont pas suivies scrupuleusement, un incendie ou une explosion risquent de survenir et d'entraîner des dommages matériels, blessures personnelles ou la mort.

- Ne pas stocker ni utiliser de l'essence ou autres substances inflammables à proximité de cet appareil ou d'autres appareils électroménagers.
- QUE FAIRE SI VOUS SENTEZ LE GAZ
- N'allumer aucun appareil électroménager.
- Ne toucher aucun interrupteur électrique.
- N'utiliser aucun téléphone dans votre immeuble.
- Appeler immédiatement votre fournisseur de gaz depuis un téléphone voisin. Suivre les instructions du fournisseur de gaz.
- Si vous ne pouvez pas joindre vos fournisseurs de gaz, appelez le service incendie.
- L'installation et la maintenance doivent être entreprises par un installateur qualifié, agence de service ou fournisseur de gaz.

Avertissement!

N'utilisez jamais la section de cuisson de surface supérieure de cet appareil sans surveillance.

- Le non-respect de cet avertissement pourrait entraîner un incendie, une explosion ou un risque de brûlure qui pourrait causer des dommages matériels, blessures corporelles ou la mort.
- En cas d'incendie, éloignez-vous de l'appareil et appelez immédiatement votre service d'incendie.

NE TENTEZ PAS D'EXTORQUER UN FEU D'HUILE/ GRAISSE AVEC DE L'EAU

DANGER ! RISQUE DE DÉCHARGE ÉLECTRIQUE ! Pour éviter les risques de décharge électrique, de lésion ou de blessure mortelle, vérifier que l'appareil a été correctement mis à la terre, conformément aux réglementations locales ou, en leur absence, à la réglementation américaine en matière d'électricité (NEC), ANSI/NFPA 70 – dernière édition.

DANGER ! RISQUE DE FUTE DE GAZ !

Pour éviter les risques de blessure ou d'accidents mortels, la détection des fuites sur l'appareil doit être conforme aux instructions du fabricant. Avant d'utiliser l'appareil, toujours contrôler l'absence de fuites à l'aide d'une solution d'eau savonneuse.

NE PAS UTILISER DE FLAMME LIBRE POUR RECHERCHER LES FUITES DE GAZ.

Modèles
MAST366QBX
MAST365QBX
MAST365QXE
PROF366QBX
PROF365QBX
PROF365QXE
MAST304QBX
MAST304QXE
PROF304QBX
PROF304QXE

Modèles

TABLE DES MATIÈRES

4	INSTALLATION
4	AVERTISSEMENTS
6	ÉTIQUETTE SIGNALÉTIQUE
6	AVANT L'INSTALLATION
7	PRÉPARATION DE LA VENTILATION
7	SPÉCIFICATIONS
9	ESPACE DE DÉGAGEMENT
10	CONDITIONS D'INSTALLATION
10	Électricité
10	Gaz
10	RACCORDEMENT ÉLECTRIQUE
11	SCHEMA DE CÂBLAGE
12	RACCORDEMENT AU GAZ
12	Vanne de fermeture manuelle
12	Tuyaux flexibles
12	Souape d'arrêt au point consigne de pression
13	Régulateur de pression
14	INSTALLATION
14	Déballage de la table de cuisson
14	Installation de la protection frontale de la surface de cuisson
15	Installation de la garniture
15	Installation de la protection arrière (en option)
16	CONVERSION À UN AUTRE TYPE DE GAZ
18	Liste de contrôle pour l'installation
18	PRÉPARATION FINALE
19	ASSISTANCE BERTAZZONI
20	UTILISATION
20	AVERTISSEMENT
22	SURFACE DE CUISSON ET BOUTONS
23	SURFACE DE CUISSON AU GAZ
25	GRILL ÉLECTRIQUE
26	NETTOYAGE DE VOTRE TABLE DE CUISSON
27	RÉSOLUTION DES PROBLÈMS
28	GARANTIE LIMITÉE DE DEUX ANS



BERTAZZONI
MANUEL D'INSTALLATION ET D'UTILISATION
TABLE DE CUISSON À GAZ AUTONOMES
