

Dishwasher

Use & Care Manual
DW 24XT



Please kindly register on our web site www.bertazzoni.com to validate your new product warranty and help us to assist you better in case of any inconvenience.

TWO YEAR LIMITED WARRANTY

The warranties provided by Bertazzoni Spa in this statement apply exclusively to Bertazzoni appliances and accessories sold as new products to the original owner by a Bertazzoni authorized distributor, retailer, dealer or service center and installed in the United States and Canada. The warranties provided in this statement are not transferable and have validity from the date of installation.

COVERAGE INFORMATION

Bertazzoni SpA will repair or replace any component part which fails or proves defective due to materials and/or workmanship within 2 years from the date of installation and under conditions of normal residential use. Repair or replacement will be free of charge, including labor at standard rates and shipping expenses. Repair service must be performed by a Bertazzoni Authorized Service Center during normal working hours.

COSMETIC WARRANTY

Bertazzoni will cover parts showing cosmetic defects in material and workmanship for a period of thirty (30) days from date of installation of the unit. This coverage will include scratches, stains, surface imperfections on stainless steel, paint and porcelain, with the exclusion of slight differences in color due to materials and painting/enamelling technologies. Exclusions are labor costs, B stock items, out - of - box appliances and display units.

HOW TO OBTAIN SERVICE

To obtain warranty service please contact Bertazzoni Customer Service at the numbers below and provide model number, serial number and date of purchase.

ENGLISH 866 905 0010 - FRANCAIS 800 561 7265

Save proof of original purchase or of original installation to establish warranty period. Copy of the product serial tag is affixed to the back cover of the instruction manual.

WHAT IS NOT COVERED

- 1 The product used in any commercial application
- 2 Repair service provided by other than a Bertazzoni authorized service agency.
- 3 Damage or repair service to correct service provided by an unauthorized agency or the use of unauthorized parts.
- 4 Installation not in accordance with local electrical codes or plumbing codes.
- 5 Defects or damage due to improper storage of the product.
- 6 Defects or damage or missing parts on products sold out of the original factory packaging or from displays.
- 7 Service calls or repairs to correct the installation of the product and/or related accessories.
- 8 Service calls to connect, convert or otherwise repair the electrical wiring / gas line / water line to properly use the product.
- 9 Service calls to provide instructions on the use of a Bertazzoni product.
- 10 Repair service due to product usage in manner other than what is normal and customary for home use.
- 11 Replacement of wear and tear parts
- 12 Replacement of glasses and light bulbs if they are claimed to have failed later than 30 days after installation and in no case later than 4 months after date of purchase
- 13 Defects and damages arising from accident, alteration, misuse, abuse, improper installation.
- 14 Defects and damages arising from transportation of the product to the home of the owner.
- 15 Defects and damage arising from external forces beyond the control of Bertazzoni SpA such as fire, flood, earthquakes and other acts of God.

In case the product will be installed in a remote area, where certified trained technicians are not reasonably available, the customer will be responsible for the transportation costs for the delivery of the product to the nearest authorized service center or for the displacement costs of a certified trained technician.

Bertazzoni does not assume any responsibility for incidental or consequential damages.

Some states do not allow the exclusion or limitation of incidental or consequential damages, so the above limitation or exclusion may not apply to you. This warranty gives you specific legal rights and you may also have other rights which may vary from state to state or province to province.

Table of Contents

Important Safety Instructions	1
Features of your new dishwasher.....	2-4
Operating Instructions	5-10
Preparing and loading dishes	11-13
Care & cleaning	14-16
Troubleshooting	17-18
Installation instructions	19

Important safety instruction

WARNING

For When using your dishwasher, follow basic precautions, including the following:

Proper installation

Please install your dishwasher properly follow the installation guide.

- Water supply temperature should be 120 °F or 149 °F.
- Dispose of the discarded appliance and packing material properly.
- The dishwasher must be grounded, or it can result in a risk of electric shock. PERMANENTLY CONNECTED and CORD-CONNECTED are both allowed.
- If there is any damage of the Dishwasher, please contact to your Dealer, not to attempt to repair or replace any part by yourself.

Basic precaution before use

- Read all instructions before using the dishwasher.
- The manual does not cover every possible condition and situation that may occur .
- Use the dishwasher only for intended function as described in this manual.
- When loading items to be washed:
 - Load sharp items and knives so that they are not likely to damage the door seal and tub.
 - Load sharp items and knives with the handles up to reduce the risk of cut-type injury.
- Do not wash plastic items unless they are marked dishwasher safe or the equivalent, if not marked, check with manufacture for recommendation, items that are not dishwasher safe may melt and create a potential fire hazard.
- If the dishwasher drains into a food disposer, make sure disposer is completely empty before running dishwasher .
- Do not tamper with control.
- Do not operate your dishwasher unless all enclosure panels are in the properly place.
- Do not touch the heating element during or immediately after use, especially if the sanitize option has been selected.
- To reduce the risk of injury, do not allow children to play in or on a dishwasher.
- Do not let children abuse, sit or stand on door or racks of a dishwasher.
- Under certain conditions, hydrogen gas may be produced in a hot water system that has not been used for two weeks or more. HYDROGEN GAS IS EXPLOSIVE. If the hot water system has not been used for such a period, before using dishwasher, turn on all hot water faucets and let water flow from each for several minutes. This will release any accumulated hydrogen gas. Hydrogen gas is flammable. Do not smoke or use an open flame during this time.
- Do not store or use combustible materials, gasoline or other flammable vapors and liquids in the vicinity of this or any other appliance.
- Use only detergents or rinse agents recommended for use in a dishwasher and keep them out of the reach of children.
- Keep young children and infants away from dishwasher when it is operating.
- Do not use the dishwasher if it has a damaged power line or plug, and do not plug the dishwasher into a damaged outlet, failure to observe these instructions may result in electrical shock.
- Remove the door to the washing compartment when removing an old dishwasher from service or discarding it.

SAVE THESE INSTRUCTIONS

Features of your new dishwasher

Specification

Capacity	16 place settings (max)
Dimension	606 x 623 x 857 mm (W x D x H)
Weight	unpacked 94lb (42.5 kg)
Power Supply	120volts, 60H z
Rated power usage	Wash motor 50W H eater 840 W
Water Feed Pressure	20 ~ 120 psi (138 ~ 828kPa)



1 Top light

2 Upper Spray Arm

3 Middle Spray Arm

4 Vortex wash arm (Located on the left side of tub)

5 Low Spray Arm

6 Detergent Dispenser

7 Rinse Aid Dispenser

8 Cup Shelf

9 Adjustable Upper Rack

10 Tub Gasket

11 Bottom Rack

12 Heating Element

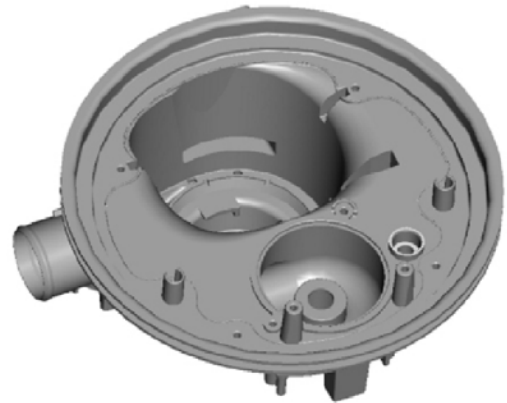
Features of your new dishwasher

Features

Filter System

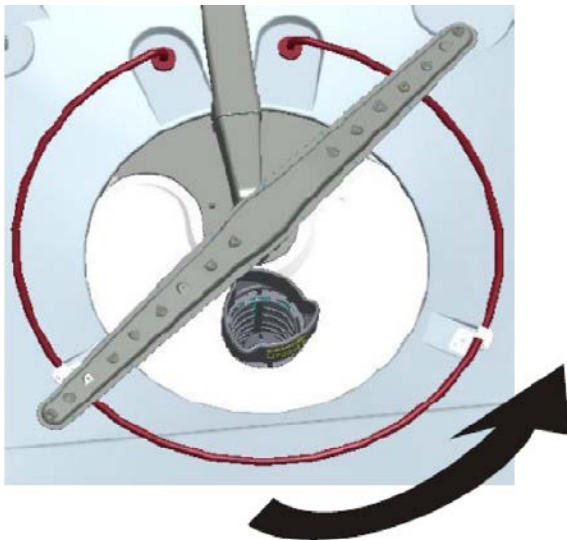
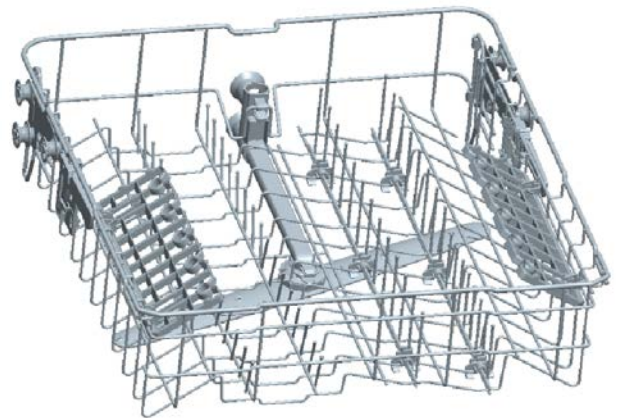
Your dishwasher has a multiple Filter System. In the System there are four filter-meshes. It can separate soiled water and clean water in different chambers.

The multiple filter system helps your dishwasher to get better performance with less water and less energy.



Smart Wash System

Your dishwasher has Smart Wash System. When a partial load of lightly soiled dishes is placed in the unit, a wash cycle similar to a short wash will automatically be performed. When a full load of heavily soiled dishes is placed in the unit, a heavy wash cycle will automatically be performed. Can determine the type of cycle required to clean the dishes and will clean more efficiently every time.



Features of your new dishwasher

How your dishwasher cleans

Your dishwasher cleans by spraying a mixture of hot water and detergent through the spray arms against soiled surfaces .

The dishwasher fills with water covering the filter area. Water is then pumped through the multiple filter and spray arms. Separated soil particles go down the drain as the water is pumped out and replaced with clean water.

The number of water fills will vary with the cycle being used.

Getting Started

1. Load dishwasher (See preparing and loading dishes).
2. Add detergent (See Fill detergent to the dispenser).
3. Add rinse aid, if needed (See Fill rinse to dispenser).
4. Select desired CYCLE (See Cycle Chart). The indicator light that beside the pad will glow when selected.
5. Select desired FUNCTIONS, the indicator light that beside the pad will glow when selected.
6. To start, press Start/Cancel (See Start/Cancel) pad.
7. Close the door, then the machine will start to work.

Note:

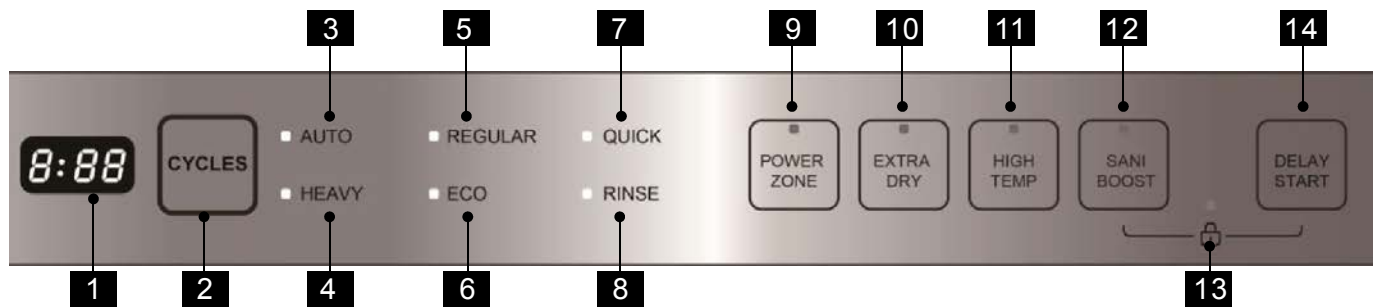
1. Your dishwasher has the top control panel. The door should be opened first if you want to operate the machine.
2. To start a cycle, the door must be closed within 4s after press Start/ Cancele.

Wash Cycle Selections

Cycle times are approximate and will vary with options Selected. Hot water is necessary to activate dishwasher detergent and melt fatty food soils.

An automatic sensor will check the incoming water temperature and if it is not hot Enough, the timer will be delayed for automatic water heating in the main wash of all Cycles. This happens even when HI-TEMP WASH is selected an even higher temperature will be guaranteed to handle heavier soil loads.

Control panel



Wash Cycle Selections

1 Display Window
To display the remained hours and minutes of the running cycle, delay hours and error codes etc.

2 CYCLES
With the dishwasher door open, you can press the CYCLES button to select the wash cycle. A light on the display will indicate which cycle has been selected.

3 AUTO
This cycle is for sensing wash, lightly, normally or heavily soiled crockery, with or without dried-on food.

4 HEAVY
This cycle is for pots, pans, casseroles and dinnerware.

5 REGULAR
This cycle is for regularly soiled dinner dishes or

6 ECO
This cycle is for lightly soiled or pre-rinsed dishes and silverware.

7 QUICK
This cycle is for lightly soiled loads.

8 RINSE
This cycle is for pre-rinsing dishes or glasses. This is only a rinse that keeps food from drying on your dishes and reduces odor buildup in your dishwasher until you are ready to wash a full load. Do not use detergent.

9 POWER ZONE
Use this option when you want to wash pots and pans, durable serving bowls, and other large, very dirty, hard to clean dishes. To use POWER ZONE, place the dishes face down in the lower rack directly above the vortex wash arm in the back left corner.

10 EXTRADRY
When the "Heated Dry" function is selected, the heater will work during the drying process.

11 HIGH TEMP
When the "Hi Temp wash" function is selected, the temperature of water will be maintained at 60°C (140°F) max.

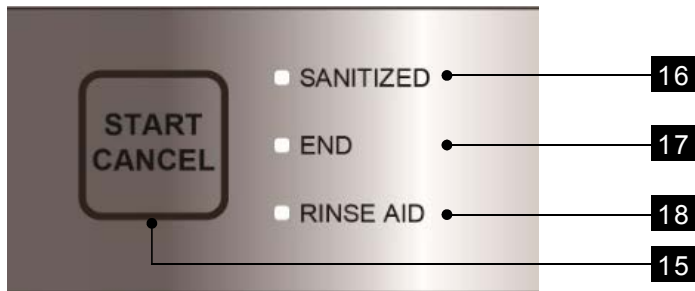
12 SANI BOOST
To sanitize your dishes and the Sanitize option. When the "Sanitize" function is selected, the temperature of water will be maintained at 70°C (158°F) max.
Note: It is possible that 70°C (158°F) may not be reached, if the temperature of the incoming hot water does not reach the suggested temperature.

13 CHILD LOCK
You can lock all controls to prevent children from accidentally changing the dishwasher cycle or starting the dishwasher. Press the "SANI BOOST" and the "DELAY START" simultaneously to select or cancel the function. After the function is selected and the corresponding indicator light will turn on.

14 DELAY START
To delay the start of a selected cycle, open the door, press the Delay Start pad until the desired delay time shows in the LED display screen, it allows you to start your dishwasher for 1 to 24 hours delay. Press the START/CANCEL pad, and then you should close the door within 4 seconds, then the delay function is running. To cancel the Delay Start function and begin the cycle. Before the delay period is over, open the door and press the START/CANCEL pad for 3 seconds.

Operating dishwasher

Functions



15 START CANCEL

Open the door, select a wash cycle that you desired, the indicator light beside the pad will turn on. Press the START/CANCEL pad, you should close the door within 4 seconds, then the selected program light begins to glitter and the cycle progress indicator in the front of the door will light on, the washing cycle is running.

If you close the door more than 4 seconds after pressed the START/CANCEL pad, the cycle will pause and not run.

To change a running cycle, you can open the door and press the START/CANCEL pad for 3 seconds. The display screen will show "60", then press the START/CANCEL pad for 3 seconds again, the display screen will show "-:--", you can select the desired cycle. Close the door within 4s then the dishwasher will work again.

When you want to load more dishes or pause the dishwasher while it is already running, make sure to open the door slowly and carefully as there is a possibility of injury from the hot steam inside the dishwasher. You can add more dishes before the main wash starts. Open the door and check the detergent dispenser. If the main wash section of the detergent dispenser is still closed, you can add items. If the door is opened while the dishwasher is running, a safety mechanism is activated and stops the cycle.

16 SANITIZED indicator light

If a cycle with the sanitize function is finished, the sanitized indicator light turns on.

If you open the door, it will turn off after 30 seconds. Another possible, it will turn off immediately if you have any operation.

17 RINSE AID indicator light

Turns on when the dishwasher needs to add Rinse aid.

18 END indicator light

Turns on after a cycle finished.

If you open the door, it will turn off after 30 seconds, and another possible, it will turn off immediately if you have any operation.

Operating dishwasher

Status Window

H:01- H:24

If the Delay Start option is selected, the number of delay start hours shows in the status window.

2:15-0 :00

After the machine works, the remaining time of the cycle that have been selected will be showed in the Status Window.

Error indication

In certain situations which are critical to the machines function and safe operation, the control shall shut down and indicate an errorcode (See Error Codes on page 18).

If Error codes are displayed, contact the dealer or servicer. They will be able to provide assistance in trouble shooting the problem and or locate an authorized service technician if needed.

NOTE

The remaining time could suddenly increase or drop several minutes. This means the Smart Sensor has checked the soil level and determined if additional water fills are needed or if water fills can be deleted.

Cycle Chart

Program	Description of Cycle	Water (L)	Cycle time(min)
AUTO	Pre Wash	11.4~23.0	110~135
	Auto(48~57°C)		
	Rinse(50~58°C)		
	Drying		
HEAVY	Pre Wash	22.8	140
	Pre Wash		
	Wash(48°C)		
	Rinse		
	Rinse		
	Rinse(58°C)		
REGULAR	Pre Wash	10.8~23.0	105~135
	Auto(42~48°C)		
	Rinse(50~58°C)		
	Drying		
ECO	Pre Wash	19.3	105
	Pre Wash		
	Wash(40°C)		
	Rinse		
	Rinse(50°C)		
	Drying		
QUICK	Pre Wash	15.5	60
	Wash(40°C)		
	Rinse(50°C)		
	Drying		
RINSE	Rinse Only	8	20

Operating dishwasher

Adjustable Upper Rack

The upper rack height can be easily adjusted to accommodate loading taller dishes in either rack. To accommodate taller dishes in the bottom rack, there are 2 positions available:

1. Lift the rack for upper position



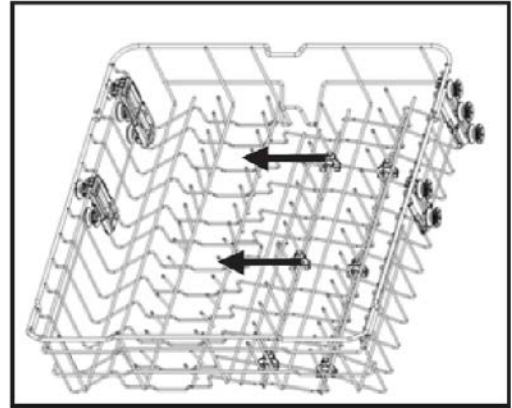
The upper rack in the upper position



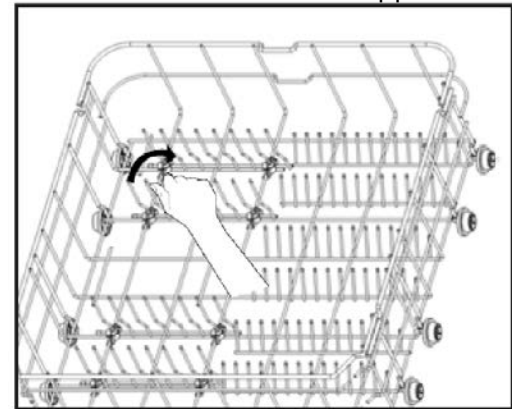
2. Up press the handle to lower the rack



The upper rack in the lower position



Upper rack



Lower rack

Dish Preparation

Scrape away large pieces of food, bones, pits, toothpicks, etc.

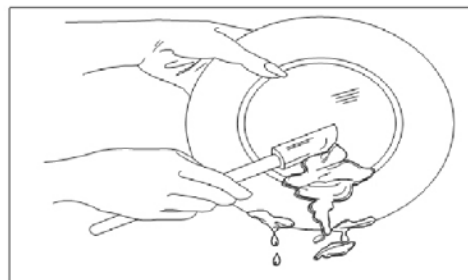
The continuous filtered wash system will remove the remaining food particles. Burned-on foods should be loosened before loading.

Empty liquids from glasses and cups.

Foods such as mustard, mayonnaise, vinegar, lemon juice and tomato based products may cause discoloration of stainless steel and plastics if allowed to sit for a long period of time.

Unless the dishwasher is to be operated at once it is best to rinse off these food soils.

If the dishwasher drains into a food disposer, be sure disposer is completely empty before starting dishwasher.



Note:

Height should be adjusted without dishes in the racks.

Operating dishwasher

Loading the Upper Rack

The upper rack is designed for cups, glasses, small plates, bowls and plastic items marked safe etc.

For best results, place the bowls, cups, glasses, sauce pans with soiled surface facing down or toward the center. Tilt slightly for better drainage.



Make sure the loaded dishes do not interfere with the rotation of the middle spray arm, which is located at the bottom of the upper rack. (Check this by rotating the middle spray arm by hand.)

Loading the Bottom Rack

The bottom rack is designed to load plates, soup bowls, plates, saucers and cookware. The adjustable rack space will allow you to load maximum 13 inch items.

The fold-down tines in the bottom rack make it easy to load those extra large and hard-to-fit items. The tines may be left up for normal use or folded down for more flexible loading. Fold down for more space to load large pots or pans.



Large items should be placed along the edge so they do not interfere with the middle spray arm rotation, and make sure they not prevent the detergent dispenser from opening. Large items should be turned so that the inside faces downward, and make sure these items do not interfere with the lower spray arm rotation.

Loading the Cutlery Rack

Cutlery should be placed in the cutlery rack separately from each other in the appropriate positions, and do make sure the utensils do not nest together, this may cause bad performance. For a top quality cleaning, place the silverware in the basket making sure that:

- They do not nest together.
- Silverware is placed with the male face up.
- Long utensils in the middle.



Cutlery Rack 8 place settings



Upper Rack 8 place settings



Bottom Rack 8 place settings



Cutlery Rack 12 place settings



Upper Rack 12 place settings



Bottom Rack 12 place settings



Cutlery Rack 14 place settings



Upper Rack 14 place settings



Bottom Rack 14 place settings



Cutlery Rack 16 place settings



Upper Rack 16 place settings



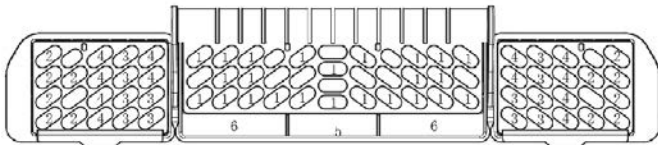
Bottom Rack 16 place settings

Preparing and loading dishes

Loading the Silverware Basket

The silverware basket could be divided into three separate modules that can be used in both upper and lower racks

1. Spoons
2. Knives
3. Salad forks
4. Forks
5. Large spoons
6. Large forks



WARNING

1. Do not let item extend through bottom.
2. Be sure nothing protrudes through bottom of the basket or rack to block the lower spray arm

Adding A Dish

To add or remove items after wash cycle starts:

1. Open door slightly and wait a few seconds until wash action stops before completely opening.
2. Add the item.
3. Press the Start/Cancel
4. Close the door firmly to latch within 4s, then cycle will automatically resume.



CAUTION

TO AVOID BURN INJURY: Slightly open door and wait until spray arms and wash action stop. Hot water may splash out of dishwasher. Failure to do so may result in injury.

Filling the rinse aid dispenser

Rinse aid greatly improves drying and reduces waterspots and filming. Without rinse aid your dishes and dishwasher interior will have excessive moisture.

The Heated Dry option will not perform as well without rinse aid. The rinse aid dispenser, located next to the Detergent cup, automatically releases a measured amount of rinse aid during the last rinse.

If spotting and poor drying is a problem, increase the amount of rinse aid dispensed by rotating the dial to a higher number. The dial is located under the dispenser cap.

If the rinse aid is low, the Rinse Aid light is illuminated at the beginning and end of the cycle indicating that it is time to refill.

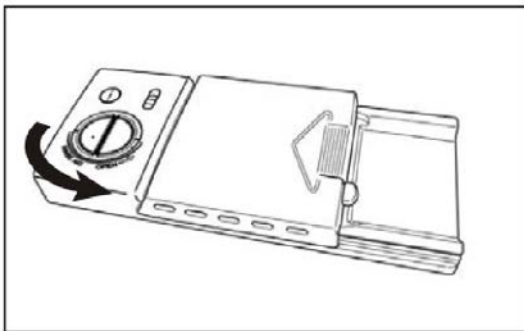
Preparing and loading dishes

Filling the rinse aid dispenser

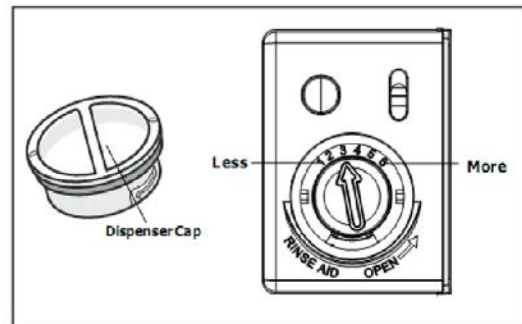


Your dishwasher is designed to use a liquid rinse aid. The use of rinse greatly improves drying performance after the final rinse. Do not use a solid or bar-type rinse aid. Under normal conditions, the rinse aid will last approximately one month, try to keep it full, but do not over fill.

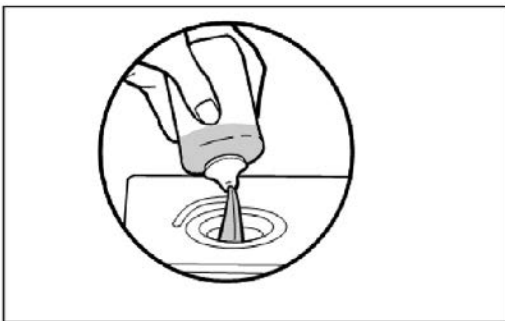
1. Open the door, turn the dispenser cap to left and lift it out.



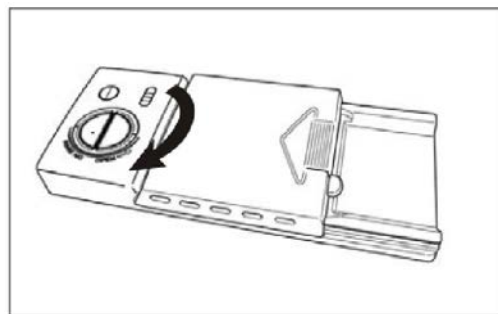
3. You can adjust the amount of the rinse aid released during the rinse operation, the greater number indicates the larger amount of rinse aid released



2. Add rinse agent until the indicator point to max

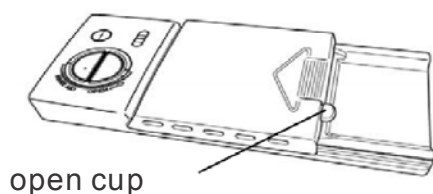


4. Replace the dispenser cap

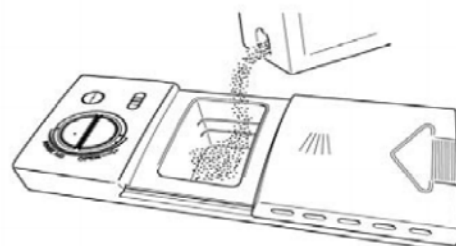


Filling the detergent dispenser

1. Push the dispenser cover latch down wards and open it

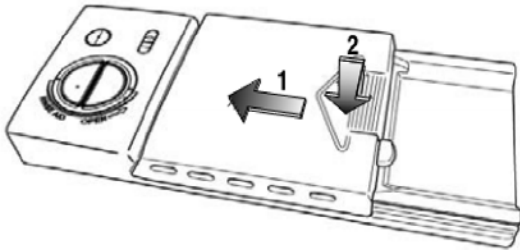


2. Add the detergent to the main wash compartment



Preparing and loading dishes

1. Push the dispenser cover latch downwards and open it



The amount of the detergent needed depends on the cycle and soil level of dishes, refer to the table below and adjust the recommended amount as necessary for your load.

Cycle	Soft Water (0- 3 Grains)	Medium Hard Water (4- 8 Grains)	Hard Water (9-12 Grains)	Very Hard Water* (Over 12 Grains)
Auto wash, Heavy wash, Regular wash, ECO wash	2 Teaspoons (Main Wash Cup-1/4Full)	5 Teaspoons (Main Wash Cup-fill to line above"Regular")	8 Teaspoons (Main Wash Cup Completely Full)	Each Cup - Completely Full (Water Softener Recommended)
Quick wash,	2 Teaspoons (Main Wash Cup-1/4Full)	5 Teaspoons (Main Wash Cup-fill to line above"Regular")	8 Teaspoons (Main Wash Cup Completely Full)	Main Wash Cup - Completely Full (Water Softener Recommended)
Rinse	No Detergent	No Detergent	No Detergent	No Detergent (Water Softener Recommended)

Care & cleaning

Cleaning the exterior door and panel

1. Stainless steel panel

Clean the stainless steel door and handle regularly to remove the debris with cleaning soft cloth.

Do not use appliance wax, polish, bleach or products containing chlorine to clean the stainless steel door.

2. Control panel

Clean the control panel with a lightly dampened cloth, clean it generally.

Clean the Stainless Steel Inner Door and Tub

The tub is made of Stainless Steel, it will not rust or corrode if the dishwasher should be scratched or dented.



Clean the spots on the steel inner door and tub with a damp nonabrasive cloth.

Clean the Cylinder Filter

The Cylinder Filter is designed to collect some big items such as broken glass, bones and pits. The Cylinder Filter needs to be cleaned to maximize wash performance.

Remove the bottom rack, rotate the cylinder filter as shown, lift it out, empty and clean it by holding it under running water and replace.

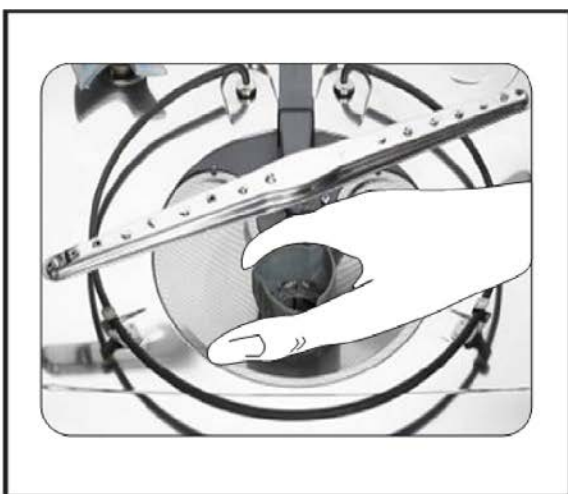


WARNING

Burn Hazard

Allow heating element to cool before cleaning the interior.

Failure to do so can result in burns.



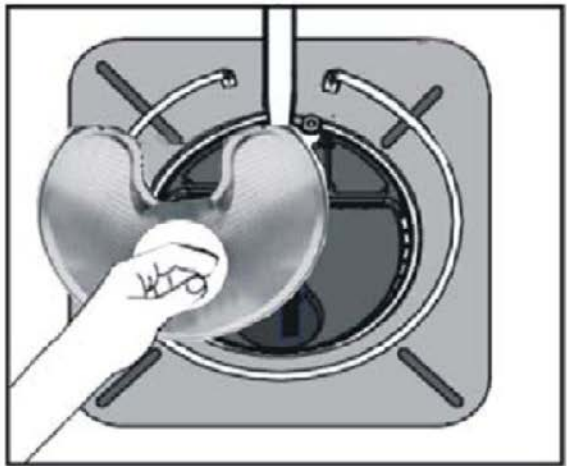
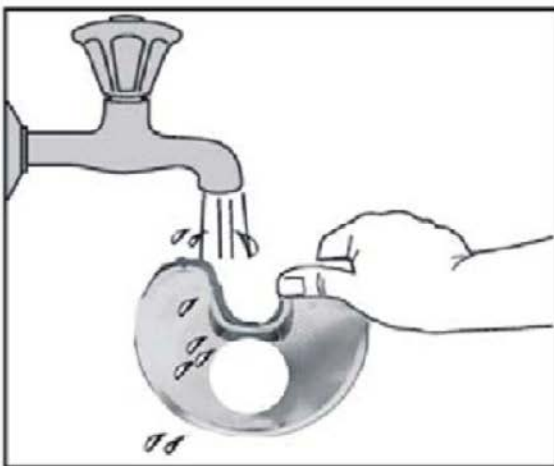
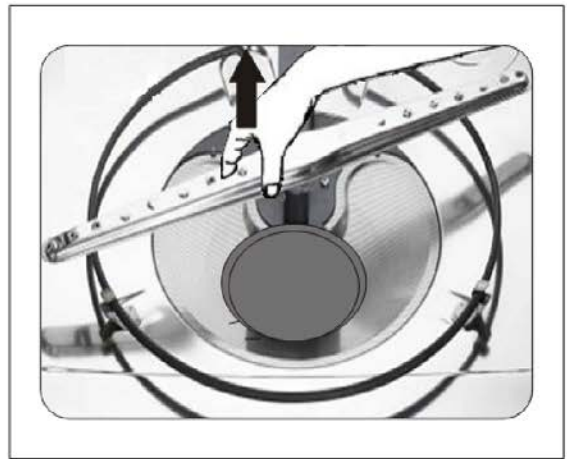
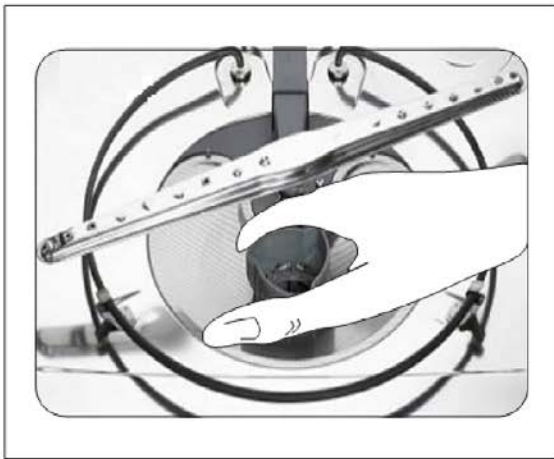
Care & cleaning

Clean the Fine Filter

Take out the Cylinder Filter and remove the Fine Filter from the dishwasher tub bottom.

To remove the Fine Filter you must first re move the bottom spray arm as shown below.

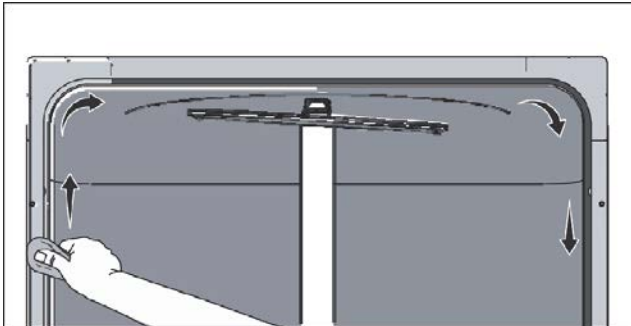
Flush the Fine Filter by holding it under running water and replace.



Care & cleaning

Clean the door gasket

Clean the door gasket with a damp cloth to remove food particles regularly.

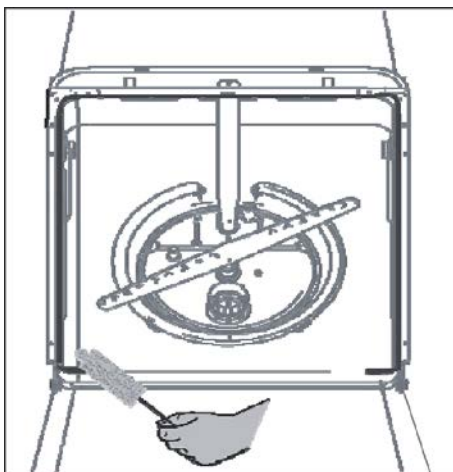


Air gap

If there is an air gap installed with your dishwasher, make sure it is clean so the dishwasher will drain properly. Air gap is not part of your dishwasher. Before you clean the air gap, turn off the dishwasher firstly and lift off the cover. Remove the plastic cap and clean with a toothpick.

Inside

The inside of the dishwasher is self-cleaning with normal use. If needed, clean the tub gasket with a damp cloth and use a brush similar to the ones shown below to clean the opening in the end of the gasket.



Protect against freezing

Your dishwasher should be protected from freezing properly if it was left in an unheated place. Have a qualified person do the following:

To Disconnect Service:

1. Turn off electrical power to the dishwasher at the supply source by moving fuses or tripping circuit breaker.
2. Turn off the water supply.
3. Place a pan under the inlet valve. Disconnect water line from inlet valve and drain into pan.
4. Disconnect drain line from pump and drain water into pan.

To Restore Service:

1. Reconnect the water, drain and electrical power supply.
2. Turn on water and electrical power supply.
3. Fill both detergent cups and run dishwasher through a Heated-Wash cycle.
4. Check connections to make sure they do not leak.

Troubleshooting

Clean the door gasket

Problem	Possible cause	
Dishwasher won't start	Dishwasher won't start	Shut the door completely make sure it is latched
	Power supply or power line is not connected	Check and connect the power supply
	Delay Start option has been selected	Refer to Delay Start section in this manual to rese
	Child Lock activated (selected models)	Deactivate the child lock, refer to child lock section in this manual
Dishwasher beeps at the end of the cycle	It indicates the wash cycle finished, the dishwasher will beep	
Rinse Aid light on	The rinse aid level is low	Add rinse aid
Dishwasher operates too long	The dishwasher is connected to cold water	Check the dishwasher, make sure it connected to the hot water supply
	The cycle time will vary due to the soil	When heavy soil is detected, the auto, normal, pots&pan cycle will automatically increase the cycle time
	The sanitize option is selected	When sanitize option is selected, the cycle time will be increase to meet the sanitized temperature request
Dishes are not clean enough	Water pressure is temporarily low	Use you dishwasher when the water pressure is normal
	The inlet water is low	Make sure the dishwasher is connected to the hot water supply Try not use your dishwasher when hot water is being used elsewhere in the house
	Dishes are loaded too close together improper use of detergent	Load the dishes again as the manual introduced Add detergent depending on the water hardness and the cycle you chose. Use fresh detergent.
	The selected cycle is not suitable for food soil condition	Choose another cycle for longer washing time
	Spay arms is blocked by some items	Make sure the spay arm is rotated fluently
Dishes not drying enough	Detergent dispenser is empty	Fill rinse aid dispenser or increase the amount of rinse aid.
	Improper loading of dishes	Load the dishes again as the manual introduction
	The cycle you chose did not included the drying.	Choose the proper cycle with drying
Spots and filming on dishes	Water hardness is too high	For extremely hard water install a water softener
	Improper loading of dishes	Load the dishes again as the manual indicates
	Old or damp powder rinse aid is used	Use fresh rinse aid
	Rinse dispenser empty	Add rinse aid to the dispenser
Etching	Using too much detergent	Use less detergent if you have soft water
	The inlet water temperature exceeds 150F	Lower the inlet water temperature

Troubleshooting

Problem	Possible cause	
Detergent left in dispenser cup	Detergent may be too old	Use fresh detergent
	Spray arm is blocked	Load the dishes, making sure the spray arms are not blocked.
Detergent dispenser will not shut	Improper operation of the detergent cover	Add the detergent and rinse aid as indicated by the manual
Water remains in the dishwasher	Previous cycle has not finished or has been interrupted	Select the proper cycle as introduced by the manual
Dishwasher does not drain properly	Drain is clogged	Check the air gap if you have Make sure the disposer is empty if the dishwasher is connected to the disposer
	Drain hose is kinked	Make sure the drain hose is properly connected to the sink
Suds in the tub	Improper detergent is used	Make sure to use only the automatic dishwasher detergent
Dishwasher leaks	Excessive suds caused by using the improper detergent	Make sure to use only the automatic dishwasher detergent
	Dishwasher is not level	Leveling the dishwasher (see the installation manual)
Black or gray marks on dishes	Aluminum utensils have rubbed against dishes	Chose a higher cycle Make sure the inlet water is no less than 120°F
Stained tub interior	Coffee and tea soil	Using a spot cleaner to remove the soil
	Reddish stain	Some tomato food will cause this, use of the rinse only cycle right after loading this will decrease the staining
Noises	Detergent cup opening\ Drain pump sound	This is normal
	A hard object has entered the wash module. When the object is ground up, the sound should stop.	If the noise persists after a complete cycle, call for service.
Dishwasher won't fill	Water valve is turn off	Check if the water valve is turn on
	Door latch may not be properly seated	Make sure the door is closed

Error Codes

When some malfunctions come on, the appliance will display error codes to warn you:

Codes	Meanings	Possible Causes
E1	Longer inlet time.	Faucets is not opened, or water intake is restricted, or water pressure is too low.
E4	Overflow.	Some element of dishwasher leaks .
Ed	signal responson abnormal(happens when the problem lasts more than 20s, hint but not warning).	Signal error
E8	Failure of orientation of distributary valve.	Open circuit or break of distributary valve.
E9	Keep touching a button more than 30 seconds.	Water or something on the button.



WARNING

- If overflow occurs, turn off the main water supply before calling a service.
- If there is water in the base pan because of an overflow or small leak, the water should be removed before restarting the dishwasher.

INSTALLATION INSTRUCTIONS

Read the installation instructions clearly, and further more, pay attention to the follow lists:

- 1.the power-supply receptacle for the appliance shall be installed in a cabinet or on a wall adjacent to the undercounter space in which the appliance is to be installed.
- 2.there shall be an opening through the partition between the compartments specified in (a) that is large enough for the attachment plug to pass through. The longest dimension of the opening shall not be more than 38 mm (1.5 in).
- 3.the edges of the opening specified in (b) shall, if the partition is wood, be smooth and rounded, or, if the partition is metal, be covered with an edge protector provided for this purpose by the manufacturer.
- 4.care shall be exercised, when the appliance is installed or removed, to reduce the likelihood of damage to the power-supply cord.

NOTE: A hose that attaches to a sink spray can burst if it is installed on the same water line as the dishwasher.

If your sink has one, it is recommended that the hose be disconnected and the hole plugged.