

BERTAZZONI PROFESSIONAL SERIES

24" PANEL INSTALLED DISHWASHER

DW24XV + PROHK24DW

HIGHLIGHTS

• Energy Star

Energy Star compliant with average consumption of 249kW/yr.

• Sani Boost

Washing temperature boost to 158°F for perfect cleaning and sanitization.

• Food Disposer

Triple-stage filter in stainless steel and plastic, with a food disposer device incorporated in the water recirculation pump.

• Sound Insulation

Extra-quiet performance 48db(A).

• Upper and Lower Baskets

Stainless Steel baskets with foldable racks on 50% of the total area. Lower basket includes a 3-section sliding silverware basket and bottle holder.



FEATURES

Style	factory installed panel
Finish	stainless steel, no fingerprint
Handle styles	Professional series
Controls	concealed
Interface	LED touch
Energy star certification	yes, 249kw/yr
Sound insulation	48 db(A)
Place setting	14
Wash cycles	6 (Heavy, Auto, Normal, Quick, Eco, Rinse)
Wash options	4 (extra dry, sani boost, hi temp, delay start 24h)
Drying system	Turbo drying
Filter system	triple plastic and stainless steel
Food disposer	yes
Spray arms	3
Number of racks	2
Interior illumination	-

TECHNICAL SPECIFICATIONS

Voltage, frequency	115V, 60Hz
Max Amp Usage, power rating	8.4 A, 975W
Certification	CSA
Warranty	2 years parts and labor

DIMENSIONS

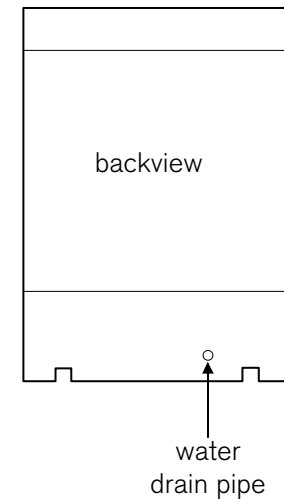
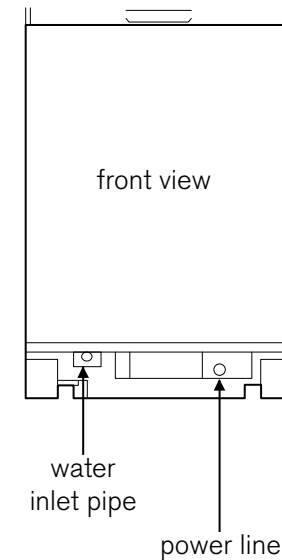
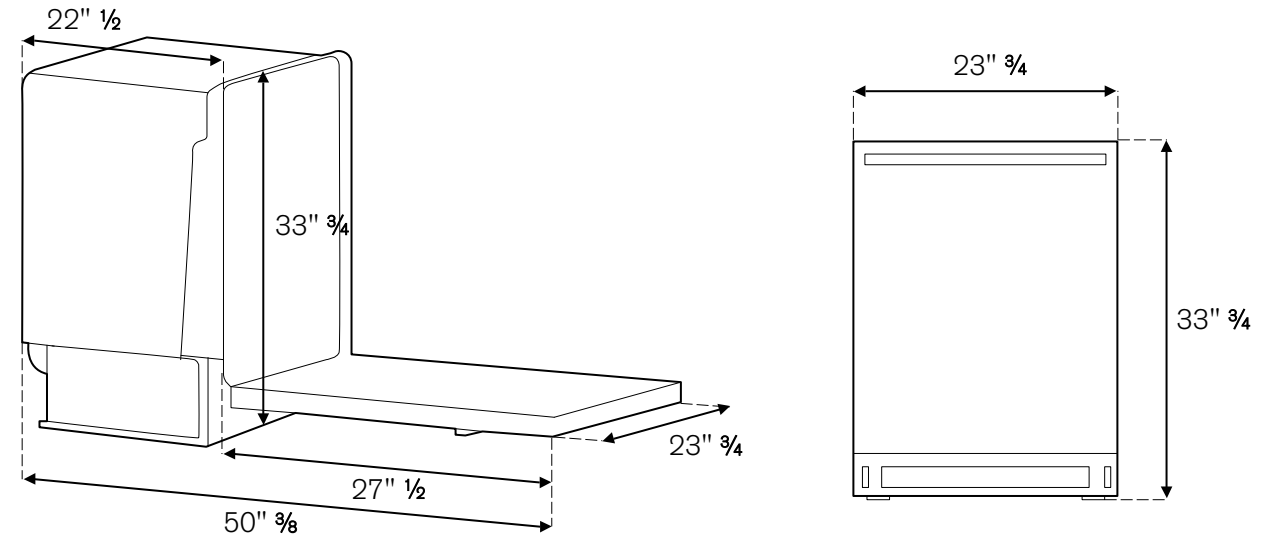
Depth	24 1/2"
Depth without door	22 1/2"
Height	33 3/4"
Width	23 3/4"

BERTAZZONI PROFESSIONAL SERIES

24" PANEL INSTALLED DISHWASHER

DW24XV + PROHK24DW

INSTALLATION INSTRUCTIONS



Dishwasher handles are provided separately with dedicated commercial code and packaging.

Disclaimer: while every effort has been made to insure the accuracy of the information contained in this brochure, Fratelli Bertazzoni reserves the right to change any part of the information at any time without notice.

Fratelli Bertazzoni, Bertazzoni and the winged wheel brand icon are registered trademarks of Bertazzoni Spa.



TO COOK BEAUTIFULLY
WWW.BERTAZZONI.COM

WWW.BERTAZZONI.COM