

---

# BERTAZZONI PROFESSIONAL SERIES

## 30" MICROWAVE OVEN MO 30 STANE



Complete your Bertazzoni integrated kitchen with the new versatile and easy-to-use Bertazzoni Built-in Microwave Oven. With a family-size capacity of 2 cubic-feet, this oven features ten power levels, multiple functions, timer and sensors for reheating and defrosting.

The design and finish of the Bertazzoni Microwave Oven and its dedicated built-in trim kit make it suitable for use with built-in ovens, cooktops and ventilation hoods from either the Bertazzoni Design Series or the Bertazzoni Professional Series.



TO COOK BEAUTIFULLY

# BERTAZZONI PROFESSIONAL SERIES

## 30" MICROWAVE OVEN MO 30 STANE

### FEATURES

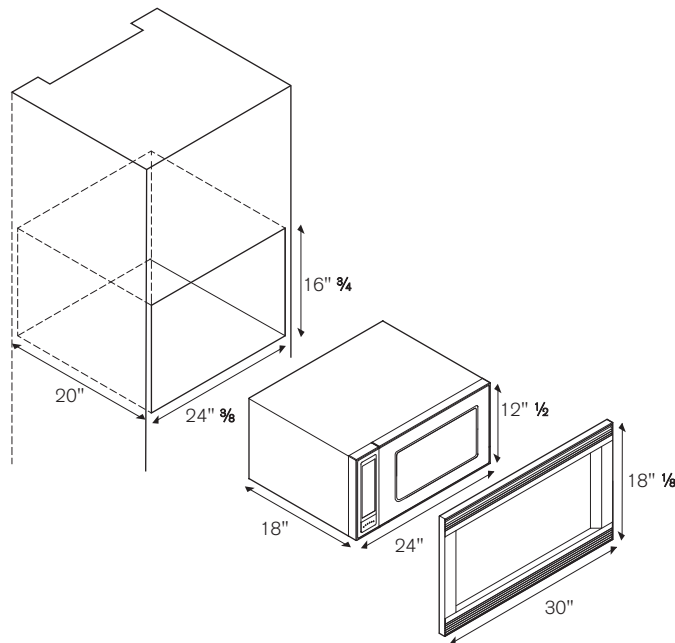
Power levels	10
Oven volume	2 ft <sup>3</sup>
Turntable	Ø 16"
Cavity finishing	white
Sensor reheat, defrost, cook	yes
Preset cooking modes function	yes
Multiple sequence cooking	4
Child lock	yes
Keep warm function	yes
Setup/help	yes

### TECHNICAL SPECIFICATIONS

Voltage, frequency	120 V 60 Hz
Max Amp usage, power rating	10 A - 1100 W
Certification	UL
Warranty	2 years parts and labor

### ACCESSORIES

Installation with frame FR30 PRO B



### INSTALLATION INSTRUCTIONS

Bertazzoni recommends to operate the appliance after it has been installed in a cabinet. The kitchen cabinets shall be made of materials capable of withstanding temperatures at least 117°F (65°C) above room temperature in order to avoid possible damage to the cabinets during oven usage. The appliance must be installed into cabinetry and be supported from underneath. The air intake opening at the bottom of the door must be left unobstructed.

For a flush mount installation the surrounding cabinets doors should have the same thickness as the frame (1")

**Disclaimer:** while every effort has been made to insure the accuracy of the information contained in this brochure, Fratelli Bertazzoni reserves the right to change any part of the information at any time without notice.

Fratelli Bertazzoni, Bertazzoni and the winged wheel brand icon are registered trademarks of Bertazzoni Spa.