
BERTAZZONI MICROWAVE

30" MICROWAVE OVEN MO 30 STANE



Complete your Bertazzoni integrated kitchen with the new versatile and easy-to-use Bertazzoni Built-in Microwave Oven. With a family-size capacity of 2 cubic-feet, this oven features 10 power levels, multiple functions, timer and sensors for reheating and defrosting.

The design and finish of the Bertazzoni Microwave Oven and its dedicated built-in trim kit make it suitable for use with built-in ovens, cooktops and ventilation hoods from either the Bertazzoni Design Series or the Bertazzoni Professional Series.



TO COOK BEAUTIFULLY

BERTAZZONI MICROWAVE

30" MICROWAVE OVEN MO 30 STANE

FEATURES

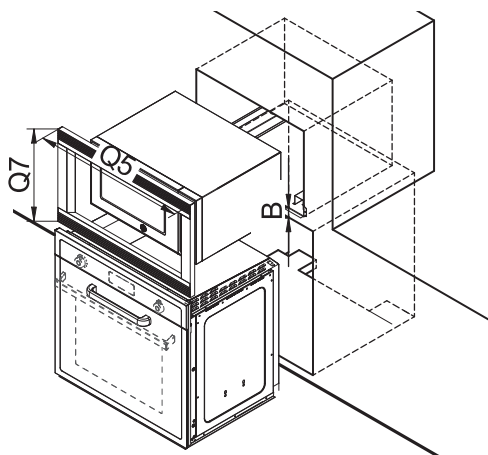
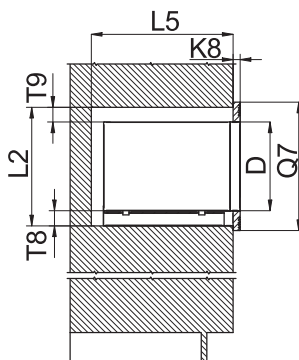
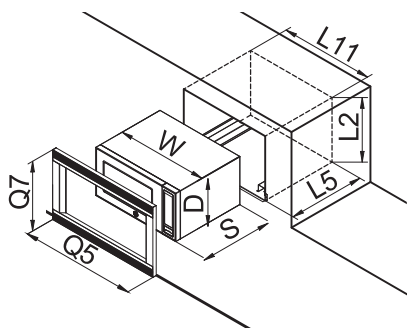
Power levels	10
Cook time function	yes
Sensor reheat, defrost, cook	yes
Preset cooking modes function	yes
Child lock	yes
Cooking watts	1100W
Sensor cooking programs	3
Finish	Black (painted)

TECHNICAL SPECIFICATIONS

Electrical Requirements	120V, 60 Hz, 13.8 Amps
Capacity	2.0ft ³
Turn table	yes
Turntable diameter	16"
Product weight	49 lbs
Box weight	51 lbs
Certification	CSA
Warranty	2 years parts and labor

ACCESSORIES

Stainless steel built-in frame	code fr30prob
--------------------------------	---------------



DIMENSIONS

Ref.	Description	Dimensions	
		Inches	mm
B	Clearance between microwave & oven	1 ⁷ / ₈	48
D	Oven height	12 ¹ / ₂	317
K8	Control panel depth	1	25
L2 (min)	Cabinet cavity height	16 ³ / ₄	426
L2 (max)	Cabinet cavity height	17	432
L5 (min)	Cabinet cavity depth	20	508
L11 (min)	Cabinet cavity width	24 ³ / ₈	619
L11 (max)	Cabinet cavity width	24 ¹¹ / ₁₆	627
Q5	Frame width	30	762
Q7	Frame height	18 ¹ / ₈	460
S	Oven depth	18	457
T8	Exhaust air clearance opening	2 ¹ / ₈	54
T9 (min)	Inlet air clearance opening	2 ¹ / ₈	54
T9 (max)	Inlet air clearance opening	2 ³ / ₈	61
W	Oven width	24	609

INSTALLATION INSTRUCTIONS

Bertazzoni recommends to operate the appliance after it has been installed in a cabinet. The kitchen cabinets shall be made of materials capable of withstanding temperatures at least 117°F (65°C) above room temperature in order to avoid possible damage to the cabinets during oven usage. The appliance must be installed into cabinetry and be supported from underneath. The air intake opening at the bottom of the door must be left unobstructed.

For a flush mount installation the surrounding cabinets doors should have the same thickness as the frame (1")