
**BERTAZZONI
OWNER'S MANUAL**

GAS MODEL



From the desk of the President

Dear new owner of a Bertazzoni,
I want to thank you for choosing one of our beautiful appliances for your home. We know that you have many brands and products to choose from, and we are thrilled that you have decided to take one of our products into your home.

We take as much pride in making our ranges as we hope you will in owning them. My family started manufacturing cooking appliances in 1882. Each of our products brings together Italian design and superior appliance technology. While we can not replace your unique talent at cooking delicious recipes for yourself, your family and your friends, we try our best to make cooking easier, more effective and more fun. And, at the same time, we strive to make your kitchen look beautiful.

Our appliances are designed according to the strictest safety and performance standard for the European and the North American market. We follow the most advanced manufacturing techniques. Each appliance leaves the factory after thorough quality inspection and testing. Our importers and our service partners are ready to answer any questions you may have regarding how to use and care for your Bertazzoni.

This manual will help you learn to use the product in the safest and most effective way and care for it so that it will give you the highest satisfaction for years to come.

Enjoy!



Paolo Bertazzoni

TABLE OF CONTENTS

WARNINGS	4
WORKTOP AND KNOBS LAYOUT	8
GAS COOKTOP	9
Burners caps and grates	9
Making sure the flame is optimal	9
Using the gas burners	9
Using the power burner	10
Gas shut-off safety - thermocouple	10
Using specialty cookware	10
Gas burner dimensions and recommended pan size	10
ELECTRIC GRIDDLE	11
Preparing the griddle	11
Seasoning the griddle	11
Using the electric griddle	11
Recommended griddle temperatures	11
MAIN GAS OVEN	12
Shelves positions	12
Cooling fan	12
Gas shut-off safety - thermocouple	12
Preheating the oven	12
Oven cooking modes	12
Special functions	13
Condensation	13
Getting the best results	14
Cooking recommendations	14
Broil recommendation	15
Troubleshooting common problems with oven cooking	15
Oven temperature indicator	16
Telescopic glides	16
AUXILIARY GAS OVEN	17
Shelves positions	17
Cooling fan	17
Gas shut-off safety - thermocouple	17
Preheating the oven	17
KEEPING YOUR BERTAZZONI CLEAN	18
SIMPLE MAINTENANCE	19
Replacing oven lights	19
Cleaning inside glass door	20
TROUBLESHOOTING	21
TWO YEAR LIMITED WARRANTY	22

WARNINGS

Warning and Important Safety Instructions appearing in this manual are not meant to cover all possible conditions and situations that may occur. Common sense, caution, and care must be exercised when installing, maintaining, or operating the appliance.

Read and follow all instructions before using this appliance to prevent the potential risk of fire, electric shock, personal injury or damage to the appliance as a result of improper usage of the appliance. Use appliance only for its intended purpose as described in this manual.

Save this Manual for local electrical inspector's use. Read and save these instructions for future reference. Observe all governing codes, ordinances and regulations.

Warning!

To avoid risk of property damage, personal injury or death; follow information in this manual exactly to prevent a fire or explosion. DO NOT store or use gasoline or other flammable vapors and liquids nearby this or any appliance.

What to do if you smell gas:

Do not light any appliance. Do not touch any electrical switch. Do not use any phone in your building. Immediately call your gas supplier from a neighbor's phone. Follow the gas supplier's instructions. If you cannot reach your gas supplier, call the fire department.

NOTE: Installation and service must be performed by a qualified installer, service agency or the gas supplier.

In Massachusetts:

All gas products must be installed by a "Massachusetts" licensed plumber or gasfitter. A "T" handle type manual gas valve must be installed in the gas line connected to this appliance.

To ensure proper and safe operation: Appliance must be properly installed and grounded by a qualified technician. DO NOT attempt to adjust, repair, service, or replace any part of your appliance unless it is specifically recommended in this manual. All other servicing should be referred to a qualified servicer. Have the installer show you the location of the gas shut-off valve and how to shut it off in an emergency.

A certified technician is required for any adjustments or conversions to Natural or LP gas.

To Prevent Fire or Smoke Damage

- Be sure all packing materials are removed from the appliance before operating it.
- Never let clothing, potholders, or other flammable materials come in contact with or too close to any element, top burner or burner grate until it has cooled.
- If appliance is installed near a window, proper precautions should be taken to prevent curtains from blowing over burners.
- Never leave any items on the cooktop. The hot air from the vent may ignite flammable items and may increase pressure in closed containers which may cause them to burst.
- Many aerosol-type spray cans are EXPLOSIVE when exposed to heat and may be highly flammable. Avoid their use or storage near an appliance.

In Case of Fire

Turn off appliance and ventilation hood to avoid spreading the flame. Extinguish flame then turn on hood to remove smoke and odor.

- Cooktop: Smother fire or flame in a pan with a lid or cookie sheet.
- NEVER pick up or move a flaming pan.
- Oven: Smother fire or flame by closing the oven door. DO NOT use water on grease fires. Use baking soda, a dry chemical or foam type extinguisher to smother fire or flame, if available, a multipurpose dry chemical or foam type extinguisher.

Child Safety

- NEVER leave children alone or unsupervised near the appliance when it is in use or is still hot.
- NEVER allow children to sit or stand on any part of the appliance as they could be injured or burned.
- DO NOT store items of interest to children over the unit. Children climbing to reach those items could be seriously injured.

Cooking Safety

- Once the unit has been installed as outlined in the Installation Instructions, it is important that the fresh air supply is not obstructed. The use of a gas cooking appliance results in the production of heat and moisture in the room in which it is installed.
- Ensure that the kitchen is well-ventilated. Keep natural venting holes open or install a mechanical ventilation device. Prolonged or intensive use of the appliance may call for additional (such as opening a window) or more effective ventilation (such as increasing the level of a mechanical ventilation if present).
- NEVER use aluminum foil to cover oven racks or oven bottom. This could result in risk of electric shock, fire, or damage to the appliance. Use foil only as directed in this guide.
- To eliminate the hazard of reaching over hot surface burners, cabinet storage should not be provided directly above a unit. Temperatures may be unsafe for some items, such as volatile liquids, cleaners or aerosol sprays.
- ALWAYS place a pan on a surface burner before turning it on. Be sure you know which knob controls which surface burner. Make sure the correct burner is turned on and that the burner has ignited. When cooking is completed, turn burner off before removing pan to prevent exposure to burner flame.
- ALWAYS adjust surface burner flame so that it does not extend beyond the bottom edge of the pan. An excessive flame is hazardous, wastes energy and may damage the appliance, pan or cabinets above the appliance. This is based on safety considerations.
- NEVER leave a surface cooking operation unattended especially when using a high heat setting or when deep fat frying. Boilovers cause smoking and greasy spillovers may ignite. Clean up greasy spills as soon as possible. DO NOT use high heat for extended cooking operations.
- DO NOT heat unopened food containers, build up of pressure may cause the container to explode and result in injury.
- ALWAYS let quantities of hot fat used for deep fat frying cool before attempting to move or handle.
- NEVER wear garments made of flammable material or loose fitting or long-sleeved apparel while cooking. Clothing may ignite or catch utensil handles. DO NOT drape towels or materials on oven door handles. These items could ignite and cause burns.
- ALWAYS place oven racks in the desired posi-

tions while oven is cool. Slide oven rack out to add or remove food, using dry, sturdy potholders.

- ALWAYS avoid reaching into the oven to add or remove food. If a rack must be moved while hot, use a dry pot-holder.
- ALWAYS turn the oven off at the end of cooking.
- Use care when opening the oven door. Let hot air or steam escape before moving or replacing food.
- DO NOT cook directly on the oven bottom. This could result in damage to your appliance. Always use the oven racks when cooking in the oven.

Do not connect any appliances to the plugs above or near to the induction cooktop; connection cable insulation can melt if in contact with heat, and this may result in an injury and a property damage.

Recommended Utensils

- Use pans with flat bottoms and handles that are easily grasped and stay cool. Avoid using unstable, warped, easily tipped or loose-handled pans. Also avoid using pans, especially small pans, with heavy handles as they could be unstable and easily tip. Pans that are heavy to move when filled with food may also be hazardous.
- Be sure utensil is large enough to properly contain food and avoid boilovers. Pan size is particularly important in deep fat frying. Be sure pan will accommodate the volume of food that is to be added as well as the bubble action of fat.
- To minimize burns, ignition of flammable materials and spillage due to unintentional contact with the utensil, DO NOT extend handles over adjacent surface burners. ALWAYS turn pan handles toward the side or back of the appliance, not out into the room where they are easily hit or reached by small children.
- NEVER let a pan boil dry as this could damage the utensil and the appliance.
- Follow the manufacturer's directions when using oven cooking bags.
- Only certain types of glass, glass/ceramic, ceramic or glazed utensils are suitable for range-top surface or oven usage without breaking due to the sudden change in temperature. Follow manufacturer's instructions when using glass.

Induction Cooking Surfaces

- Surface areas on or adjacent to the unit may be hot enough to cause burns. Do not touch the cooking area as long as the light indicating residual heat on the glass-ceramic cooktop area, is “on”; this indicates that the temperature in the relative area is still high.
- DO NOT COOK ON BROKEN COOKING SURFACE – If cooking surface should break, cleaning solutions and spillovers may penetrate the broken cooking surface and create a risk of electric shock. Contact a qualified technician immediately.
- Keep a close eye on children because they are unlikely to see the residual heat warning lights. The cooking zones are still very hot for some time after use, even if they are switched off. Make sure that children never touch them.
- NEVER use aluminum foil to hold the food while cooking on a glass-ceramic cooktop area.
- Never place pan with bottoms which are not perfectly flat and smooth on the cooktop area.
- If you drop a heavy pot on your cooktop area it will not break. On the contrary, if a hard object, such as the salt shaker or the spice bottle strikes the edge or the corner of the cooktop area, the cooktop area may break.
- Never use the glass-ceramic cooktop area as support surface.
- Only use cleaning products made specifically for ceramic glass cooking surfaces.

Metal items such as cutlery or lids must never be placed on the surface of the cooktop area since they may become hot.

Oven Heating Elements

- NEVER touch oven bake and broil burner areas or interior surfaces of oven.
- Bake and broil burners may be hot even though they are dark in color. Areas near burners and interior surfaces of an oven may become hot enough to cause burns.
- During and after use, DO NOT touch or let clothing or other flammable materials contact heating elements, areas near elements, or interior surfaces of oven until they have had sufficient time to cool. Other surfaces of the oven may become hot enough to cause burns, such as the oven vent opening, the surface near the vent opening, and the oven door window.

Cleaning Safety

- Turn off all controls and wait for appliance parts to cool before touching or cleaning them. DO NOT touch the burner grates or surrounding areas until they have had sufficient time to cool.

- Clean the range with caution. Avoid steam burns; DO NOT use a wet sponge or cloth to clean the range while it is hot. Some cleaners produce noxious fumes if applied to a hot surface. Follow directions provided by the cleaner manufacturer.
- DO NOT clean, rub, damage, move or remove the door gasket. It is essential for a good seal during baking. If the gasket becomes worn or excessively soiled with food particles, replace gasket to assure a tight seal.

Power failure warning

Due to safety considerations and the possibility of personal injury in attempting to light and extinguish the oven burners, the grill and the oven burner should not be used during a power failure. The oven control knob should always remain in the “OFF” position during a power failure.

NEVER use appliance as a space heater to heat or warm a room to prevent potential hazard to the user and damage to the appliance. Also, DO NOT use the rangetop or oven as a storage area for food or cooking utensils.

Electrical shock hazard

Make sure all controls are OFF and oven is COOL before cleaning. Failure to do so can result in burns or electrical shock.

DO NOT touch a hot oven light bulb with a damp cloth as the bulb could break. Should the bulb break, disconnect power to the appliance before removing bulb to avoid electrical shock.

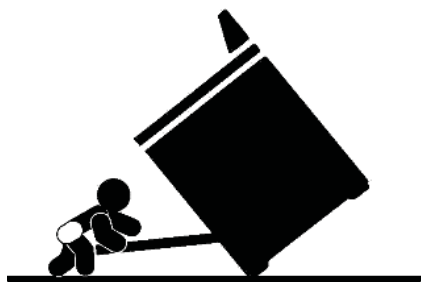
NEVER cover any slots, holes or passages in the oven bottom or cover an entire rack with materials such as aluminum foil. Doing so blocks air flow through the oven and may cause carbon monoxide poisoning. Aluminum foil linings may also trap heat, causing a fire hazard.

Burn hazard

The oven door, especially the glass, can get hot. DO NOT touch the oven door glass!

Warning-tipping hazard

Children and adults can tip over the range if it has not been secured. This may lead to fatal injuries.



To reduce the risk of the appliance tipping, it must be secured and connected using the anti-tip device according to the installation instructions. Re-engage the anti-tip device if the range is moved.

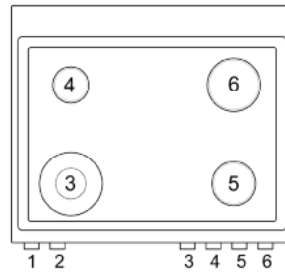
Do not operate the range without the anti-tip device in place and engaged. Do not use the range if the anti-tip device has not been properly installed and engaged. See installation instructions for details.

Failure to observe the information contained in the installation instructions can lead to serious or fatal injuries for children and adults.

WORKTOP AND KNOBS LAYOUT

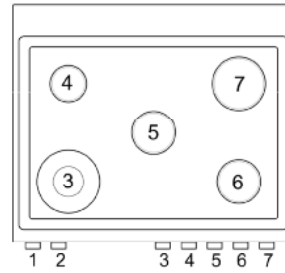
Heating element

- 1 Oven functions selector
- 2 Oven thermostat
- 3 Left front burner
- 4 Left rear burner
- 5 Right front burner
- 6 Right rear burner



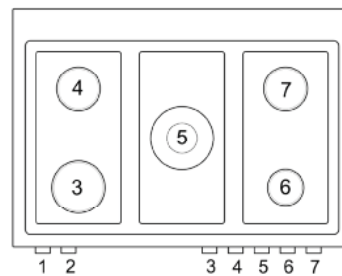
Heating element

- 1 Oven functions selector
- 2 Oven thermostat
- 3 Left front burner
- 4 Left rear burner
- 5 Central burner
- 6 Right front burner
- 7 Right rear burner



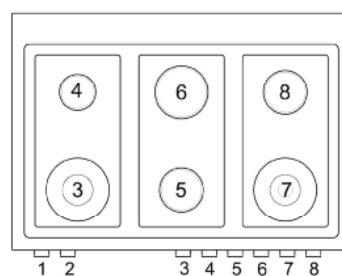
Heating element

- 1 Oven functions selector
- 2 Oven thermostat
- 3 Left front burner
- 4 Left rear burner
- 5 Central burner
- 6 Right front burner
- 7 Right rear burner



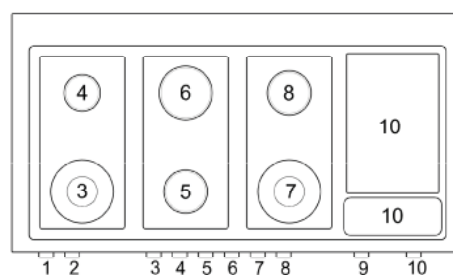
Heating element

- 1 Left front burner
- 2 Left rear burner
- 3 Left front burner
- 4 Left rear burner
- 5 Central front burner
- 6 Central rear burner
- 7 Right front burner
- 8 Right rear burner



Heating element

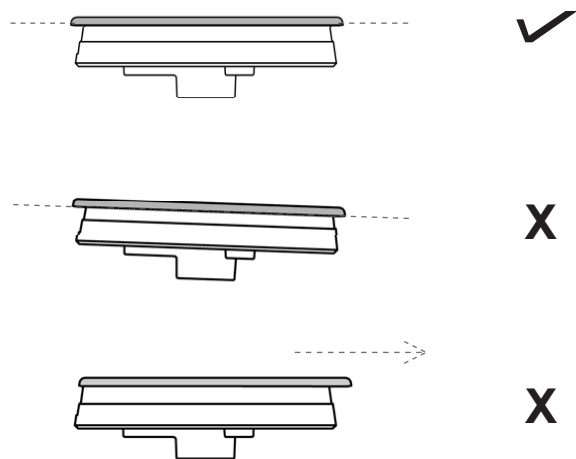
- 1 Oven functions selector
- 2 Oven thermostat
- 3 Left front burner
- 4 Left rear burner
- 5 Central front burner
- 6 Central rear burner
- 7 Right front burner
- 8 Right rear burner
- 9 Auxiliary oven thermostat
- 10 Electric griddle



GAS COOKTOP

BURNER CAPS AND GRATES

The burners and the burner caps must be properly placed for the cooktop to function properly.



The burner grates must be properly placed inside the recess on the cooktop.

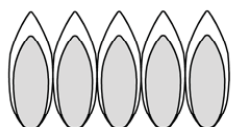
MAKING SURE THE FLAME IS OPTIMAL

The flame should be stable with no excessive noise or fluttering. The color should be blue with no yellow on the tips. It is not uncommon to see orange in the flame color; this indicates the burning of airborne impurities in the gas and will disappear with use.

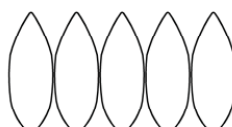
- With propane (LP) gas, slight yellow tips on the primary cones are normal.
- The flame should burn completely around the burner cap. If it doesn't, check that the cap is positioned correctly on the base and that the ports are not blocked.



yellow flames:
further adjustment is required



yellow tips on outer cones:
normal for LP gas



soft blue flames:
normal for natural gas

The correct flame height depends on:

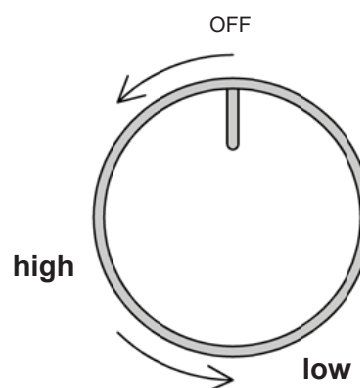
- size and material of pan being used
- food being cooked
- amount of liquid in the pan.

Never extend the flame beyond the base of the pan. Use a low or medium flame for pan materials that conduct the heat slowly, such as porcelain coated steel or glass-ceramic.

Because the edges of the flame are much hotter than its center, the flame tips should stay beneath the bottom of the cookware. Flame tips which extend beyond the sides of the cookware emit unnecessary heat into the room and can also damage cookware handles, which increases the risk of injury.

USING THE GAS BURNERS

- Press in the control knob and turn it anti-clockwise, to HIGH position.
- Continue to hold the knob in for 5 to 10 seconds after the burner ignition before releasing
- Adjust flame with the knob as needed.



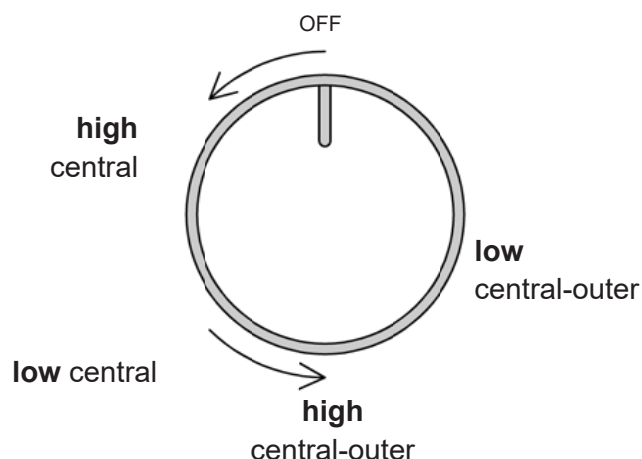
USING THE POWER BURNER

To give further flexibility, the dual power burner can be used as a single simmer burner if the central burner alone is ignited or as a power burner if the outer burner is also ignited.

To light the central burner, press in the control knob and turn it anti-clockwise to the HIGH of the single ring position

Continue to hold the knob in for 5 to 10 seconds after the burner ignites before releasing

To also light the outer burner, turn the knob to the HIGH double ring. Adjust the flame as required.



GAS SHUT-OFF SAFETY - THERMOCOUPLE

A flame failure device (thermocouple) on each burner acts as a safety gas cut-off in case the flame is accidentally blown out. A thermocouple detects the absence of a flame and stops the supply of gas. The thermocouple must be heated for a few seconds when the burner is ignited before the knob is released.

USING SPECIALTY COOKWARE

Woks

Either flat-based or round-bottom woks with the accessory ring can be used on all models. Round bottom woks must be used with a support ring. In some models the porcelain-coated cast iron wok support ring must be purchased separately.

Simmer ring

For very slow cooking could be use the the porcelain-coated simmer ring . In some models the porcelain-coated cast iron simmer ring must be purchased separately.

Simmer ring must be used for pan with diameteu-sing r less than 4 inches.

NOTE: In the event of a power failure, the burners can be lit with a match or gas lighter. The flame failure devices will continue to function normally.

GAS BURNER DIMENSIONS AND RECOMMENDED PAN SIZE

Burner	Diam. in (mm)	Diam. of pan	Utilization
Auxiliary	Ø 2" (50mm)	Ø 3"1/2- 5"1/2 (90-140mm)	Use with smaller pans for boiling and simmering and the preparation of sauces.
Semi-rapid	Ø 2"3/4 (70mm)	Ø 5"1/2 -10"1/4 (140-260mm)	Use for normal frying and boiling in medium and small pans.
Rapid	Ø 3"3/4 (95 mm)	Ø 7"1/8 -10"1/4 (180-260 mm)	Use with large and medium pans of water for frying and rapid boiling.
Dual inner/outer	Ø1"11/16-5"1/2 (43-140 mm)	Ø 8"2/3 -10"1/4 (220-260 mm)	Use with woks, griddle's and frying pans or for large pans and rapid boiling.

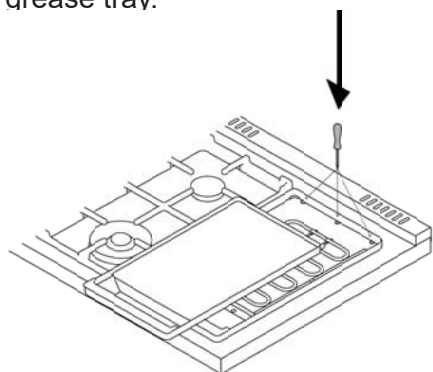
ELECTRIC GRIDDLE

Available on 48" models only

The electric stainless steel griddle is manufactured from 3/16 inches stainless steel designed for maximum heat retention. Use extreme caution when operating the griddle to avoid burn hazard!

PREPARING THE GRIDDLE

- Check the griddle plate adjustment by pouring two tablespoons of water on the back of the griddle plate. The water should slowly roll into the grease tray.
- Move the griddle plate to the side (Figure 23).
- Adjust the two screws under the back of the plate. Start with one half turn counterclockwise of the screws. Further adjustment should be made by one-quarter turn until water slowly flows into the grease tray.



SEASONING THE GRIDDLE

The stainless steel griddle must be seasoned before using it for the first time. We also recommend re-seasoning after a long time of not use.

- Clean the griddle thoroughly with hot water and soap solution to remove any protective coating.
- Rinse with a mixture ¼ gal of water and 1 cup white vinegar and dry thoroughly.
- Pour 1 tsp vegetable oil into the centre of the griddle. Rub the oil over the entire surface of

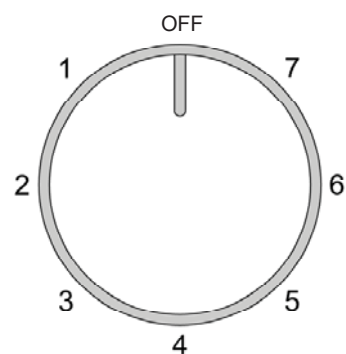
the griddle using a heavy cloth.

- Turn the control knob to a maximum setting.
- Turn the heat off when the oil begins to smoke. Allow the griddle to cool.
- Repeat step 3 covering the entire surface with the oil. Turn off the heat and allow the griddle to cool.
- Wipe the entire surface of the griddle using a heavy cloth.
- Apply a very thin layer of vegetable oil. The griddle is now ready for use.

USING THE ELECTRIC GRIDDLE

Press and turn the knob (Fig. 16) anti-clockwise to the selected position. The activation of the griddle is shown by the indicator light which is also found on the front panel of the appliance.

Pre-heat at the maximum temperature for 15 minutes, then place the food on the griddle and cook at the desired temperature.



You can cook on the electric griddle without butter, margarine or oil. However, a very small amount may be used to flavor foods.

DO NOT use metal utensils on the griddle surface. Care should be taken that the surface is not scratched or gouged with utensils.

DO NOT use knives for cutting directly on the griddle plate.

RECOMMENDED GRIDDLE TEMPERATURES

Food	Knob position	Setting
Eggs	3	300°F to 320°F (150° C to 160° C)
Bacon; Breakfast Sausage	3-4	350°F to 375°F (177° C to 190° C)
Toasted Sandwiches	3	320°F to 350°F (160° C to 177° C)
Boneless Chicken Breasts	3-4	350°F to 375°F (177° C to 190° C)
Boneless Pork Chops (15 mm thick)	3-4	350°F to 375°F (177° C to 190° C)
Ham Slices (15 mm thick)	3-4	350°F to 375°F (177° C to 190° C)
Pancakes; French Toast	3-4	350°F to 375°F (177° C to 190° C)
Potatoes; Hash Browns	4-5	375°F to 400°F (190° C to 205° C)

MAIN GAS OVEN

Warning!

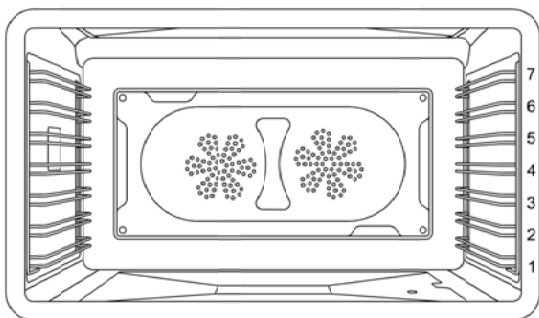
Do not use the gas oven in case of electric power failure. In case of electric power failure reset oven/broiler controls to OFF position. Oven/broiler burners cannot operate until electric power is restored to the appliance.

If the oven burner flame is extinguished accidentally during operation, turn the temperature control knob counter-clockwise to the OFF position. Wait at least 60 seconds before attempting to light the oven again.

ATTENTION! When using the oven for the first time it should be operated for 15-30 minutes at a temperature of about 500°F/260°C without cooking anything inside in order to eliminate any moisture and odours from the internal insulation.

SHELVES POSITIONS

Shelves are mounted on the appropriate guides situated on the sides of the oven compartment. Insert the shelf between top and bottom guide in any of the 7 positions indicated.



COOLING FAN

Automatic operation of the cooling fan. The range cooker is equipped with a thermostatically controlled cooling fan designed to prevent the control panel and knobs from overheating. The cooling fan will operate when the oven temperature rises up. It will turn off when the temperature decreases.

NOTE: It is normal for the cooling process to push heated air out into the room when the oven is on.

GAS SHUT-OFF SAFETY - THERMOCOUPLE

A flame failure device (thermocouple) on each burner acts as a safety gas cut-off in case the flame is accidentally blown out. A thermocouple detects the absence of a flame and stops the supply

of gas. The thermocouple must be heated for a few seconds when the burner is ignited before the knob is released.

PREHEATING THE OVEN

Most cooking times in recipes are intended for a preheated oven and require that the oven already be at the set temperature before placing food in the oven. Preheating time depends on the temperature setting and the number of racks in the oven.

OVEN COOKING MODES

The oven is equipped with several elements, used alone or in combination to create different cooking modes:

- Bake burner
- Broil burner
- Oven fan

The temperature setting and cooking times can vary slightly from one oven to another. It is possible that recipes and cooking times need to be adjusted accordingly.

Bake

Heat from bake burner only.

Use this setting for baking, roasting, and casseroles.

- Open the oven door, with oven/broiler thermostat knob in the OFF position,
- Press the thermostat knob for about 1 sec., release it immediately
- Turn it to the desired oven temperature; if the burner does not light up, turn the thermostat knob to the OFF position again and wait 1 minute before repeating the sequence.
- The gas oven operation is indicated by the light in the cavity.
- Before closing the oven door, visually check that the flame is on through the portholes on the oven compartment bottom panel. If no flame is visible, repeat the procedure.
- After lighting the burner and setting the desired temperature, wait until the thermometer shows the set temperature before placing food in the oven.

The BAKE mode is best for baking on one rack:

- Standard baking: level 3 or 4
- Baking tall items: level 3
- Pies: level 2 or 3
- Large cuts of meat or poultry: level 2

Convection bake

Heat from bake burner and airflow convection with fan.

Cooking with convection has several advantages. In the convection system, two fans in the back of the oven move heated air evenly around the cavity, eliminating hot and cold spots and ensuring temperature is even. Multiple dishes can be cooked at the same time on different levels, without having to rotate the pans. For convection, use shallow bakeware to reduce heat shadows.

Food cooked uncovered will brown evenly and form a nice crust. Food placed in covered bakeware or delicate custards do not benefit from convection cooking.

Preheat the oven as for BAKE and turn the function knob to 'CONVECTION' before placing the food in the cavity.

- Single rack: use the same rack position as bake
- 2 racks: use level 3 and 5
- 3 racks : use level 2 ,4, 6

Broil

Infrared heat from the BROIL burner in the top of the cavity.

Use this setting for broiling/grilling dark meats 1" thick or less to rare or medium doneness.

Before turning on the oven, place the rack in the desired position. After preheating the broiler, center the broil pan under the broil element.

Preheating the Broiler

It is recommended that you preheat the broil element before starting to cook. Preheat for 5 minutes then place food in oven.

- Open the oven door, with oven/broiler thermostat knob in the OFF position,
- press the thermostat knob for about 1 sec., release it immediately
- turn it to ' BROIL ' ; if the broiler fails to light up, turn the thermostat knob to the OFF position again and and wait 1 minute before repeating the sequence.
- The gas broil operation is indicated by the light in the cavity.
- Before closing the oven door, visually check that the flame is on.If no flame is visible, repeat the procedure.

The broil mode is effective when food is placed on upper racks.

- Beef steaks, ground meat patties, and lamb chops 1 inch or less: level 6.
- Meat 1 inches or more thick, fish, poultry, pork chops, ham steaks 1 inch or more: level 5.
- Browning food: level 6.

SPECIAL FUNCTIONS

Light

Use this function to light the oven when the oven is off (for example to clean the oven). Turn the function knob to 'bake'. DO NOT turn on Oven Temperature Control Knob.

Proofing

The proof feature maintains the warm, needed for proofing yeast. It is best to start with a cool oven when using the proofing function. Turn the function knob to 'light'. DO NOT turn on Oven Temperature Control Knob. Do not open the oven door unnecessarily.

Convection defrost

Air is circulated by the airflow fans. The fan accelerates natural defrosting of food without heat. DO NOT leave defrosted food in the oven for more than two hours. Place the frozen food on a baking sheet. Turn the function knob to 'CONV'. DO NOT turn on Oven Temperature Control Knob.

CONDENSATION

It is normal for a certain amount of moisture to evaporate from the food during any cooking process. The amount depends on the moisture content of the food. The moisture will condense on any surface cooler than the inside of the oven, such as the control panel.

Using aluminum foil in the oven

Foil can be used to cover food in the oven but this should not come into close proximity with the oven elements. Foil should not be used to line the oven cavity or grill pan. This can cause overheating, buckling and cracking of the enamel surfaces.

GETTING THE BEST RESULTS

- Minimize opening and closing the oven door during operation.
- Use the rack position recommended by the recipe and fine-tune with personal experience.
- Use the bakeware recommended in the recipe.
- Store the broiler pan(s) outside the oven. An extra pan without food will impact browning and cooking.
- For tender, golden brown crusts, use light non-stick/anodized or shiny metal pans.
- For brown crisp crusts, use dark non-stick/anodized or dark, dull metal pans or glass bakeware. These may require lowering the bake temperature 25°F (14°C).
- Allow at least 1" (25.4 mm) of space between the pans and the oven walls so heat can circulate around each pan.
- To keep the oven as clean as possible, cook meat on a pan and not directly on the racks.

COOKING RECOMMENDATIONS

Food	Pan size	Control temperature setting	Total suggested cooking time
Cookies	12"x15" Cookie Sheet	375°F	8 to 12 minutes
Layer Cakes	8" or 9" Round	350°F	25 to 35 minutes
Sheet Cakes	9"x13" Pan	350°F	30 to 40 minutes
Bunt Cakes	12 Cup	325°F	60 to 75 minutes
Brownies or Bar Cookies	9"x9" Pan	325°F	20 to 25 minutes
Biscuits	12"x15" Cookie Sheet	425°F or Package Directions	10 to 15 minutes
Quick Bread	8"x4" Loaf Pan	350°F	55 to 70 minutes
Muffins	12 cup Muffin Pan	425°F	14 to 19 minutes
Fruit Pies	9" Diameter	425°F	35 to 45 minutes
Fruit Cobblers	9"x9" Pan	400°F	25 to 30 minutes
Yeast Bread, Loaves	8"x4" Loaf Pan	375°F	25 to 30 minutes
Dinner Rolls	9"x13" Pan	400°F	12 to 18 minutes
Cinnamon Rolls	9"x13" Pan	375°F	25 to 30 minutes
Yeast Cotter and Cake	12"x15" Cookie Sheet	400°F	20 to 30 minutes

BROIL RECOMMENDATION

Food item	Control temperature setting selector	Approximate cooking time	Special instructions and tips
BEEF Ground Beef Patties, ½" thick	500°F fixed temperature setting	15 to 20 minutes	Broil until no pink in center
T-Bone Steak	500°F fixed temperature setting	12 to 20 minutes	Time depends on rareness of steak
Flank Steak	500°F fixed temperature setting	12 to 20 minutes	Rare to Medium Rare
Eye of Round Roast	325°F	20 to 25 min/lb	Small roasts take more minutes per pound; reduce time by using Convection Bake
PORK Loin Roast	325°F	20 to 25 min/lb	Cook until juices are clear
POULTRY Boneless Skinless Chicken Breasts	500°F fixed temperature setting	20 to 25 minutes	Cook until juices are clear
Chicken Thighs	500°F fixed temperature setting	25 to 30 minutes	Remove skin; Cook until juices are clear
Half Chickens	500°F fixed temperature setting	30 to 45 minutes	Turn with tongs; Cook until juices are clear
Roast Chicken	350°F	75 to 90 minutes	Do not stuff; reduce time by using Convection Bake
Turkey	325°F	20 to 25 min/lb	Do not stuff; reduce time by using Convection Bake

TROUBLESHOOTING COMMON PROBLEMS WITH OVEN COOKING

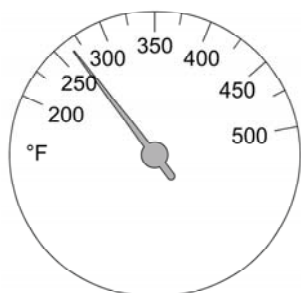
Problems	Cause	Remedy
Cakes burned on the sides or not done in center	Oven too hot Wrong pan size	Reduce temperature Use recommended pan size
Cakes crack on top	Batter too thick Oven too hot Wrong pan size	Follow recipe or add liquid Reduce temperature Use recommended pan size
Food too brown on bottom	Oven door opened too often Incorrect rack position Wrong bake setting	Use door window to check food Use recommended rack position Adjust to conventional or convection setting as needed
Food too brown on top	Incorrect rack position Oven not preheated	Use recommended rack position Allow oven to preheat
Cookies too flat	Hot cookie sheet	Allow sheet to cool between batches
Pies burned around edges	Oven too hot Oven not preheated	Reduce temperature Allow oven to preheat
Pies too light on top	Oven not hot enough Oven not preheated	Increase temperature Allow oven to preheat

OVEN TEMPERATURE INDICATOR

The range is equipped with a device to indicate the temperature in the middle of the oven. This let you check the temperature inside the oven and adjust food cooking temperatures more accurately.

When the oven is turned on, the burner will start working at maximum and the thermometer dial will start to move towards the set temperature. Heat is optimally distributed inside the oven when the thermometer dial has stopped. When the oven is turned off, the temperature on the thermometer will slowly drop until it reaches room temperature.

- *the gauge is for reference only.*

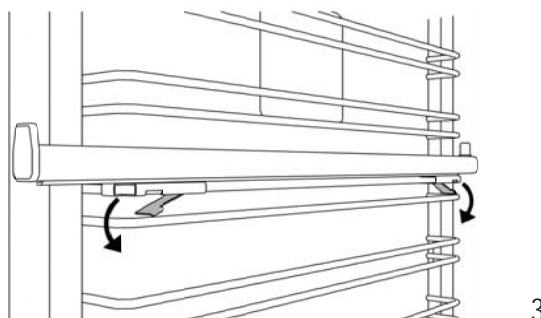
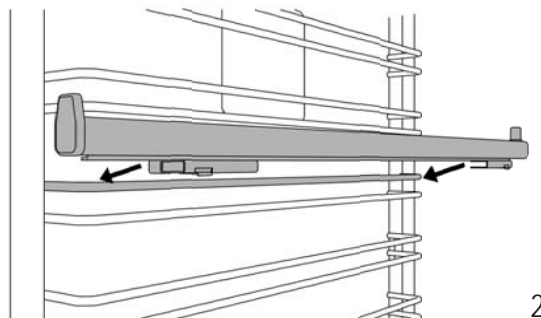
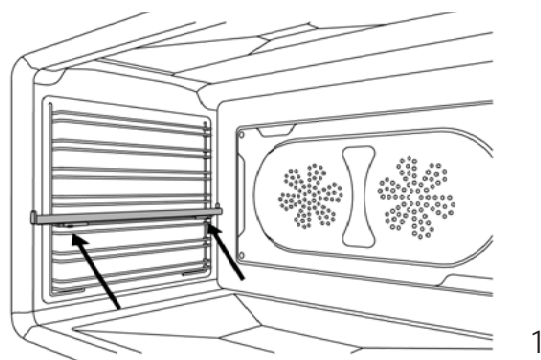


TELESCOPIC GLIDES

The telescopic glides fit any shelf level and work with the wire shelves provided as standard equipment.

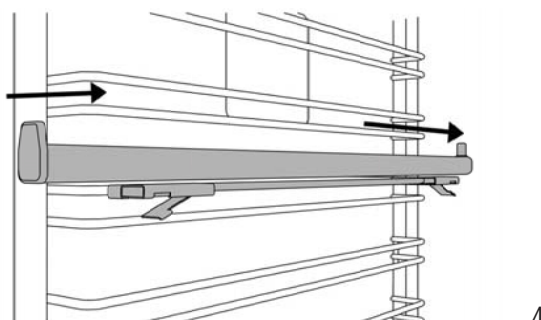
Fitting the glides

- 1 - Locate the two spring clips at the front and back of the glides.
- 2 - Locate the pin on the glide that indicates the back.
- 3 - Choose the right level and position the telescopic glide near the upper wire.
- 4 - Gently insert the front spring clip on the glide.
- 5 - Insert the rear spring clip on the glide.
- 6 - Pull and push each glide to ensure the correct installation and smooth operation.
- 7 - Extract both glides to the fully extended position and place the shelf over them, making sure it's accurately placed between the rear pin and the front pin.



Removing the glides

- 1 - Locate the two spring clips at the front and back of the glide.
- 2 - Gently pull down the front spring clip.
- 3 - Pull the glide away from the oven side - be careful not to strain the clip.
- 4 - Repeat steps 2 - 3 on rear spring clip to remove glide.



AUXILIARY GAS OVEN

Available on 48" models only

Warning!

Do not use the gas oven in case of electric power failure. In case of electric power failure reset oven/broiler controls to OFF position. Oven/broiler burners cannot operate until electric power is restored to the appliance.

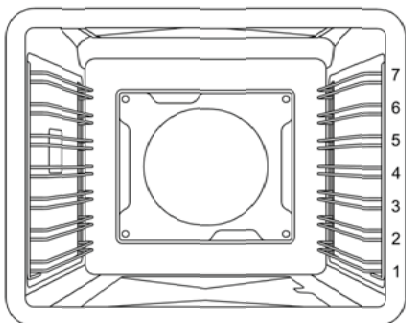
If the oven burner flame is extinguished accidentally during operation, turn the temperature control knob counter-clockwise to the OFF position. Wait at least 60 seconds before attempting to light the oven again.

Attention!

When using the oven for the first time it should be operated for 15-30 minutes at a temperature of about 500°F/260°C without cooking anything inside in order to eliminate any moisture and odours from the internal insulation.

SHELVES POSITIONS

Shelves are mounted on the appropriate guides situated on the sides of the oven compartment. Insert the shelf between top and bottom guide in any of the 7 positions indicated.



COOLING FAN

Automatic operation of the cooling fan

The range cooker is equipped with a thermostatically controlled cooling fan designed to prevent the control panel and knobs from overheating. The cooling fan will operate when the oven temperature goes up. It will turn off when the temperature decreases.

NOTE: It is normal for the cooling process to push heated air out into the room when the oven is on.

GAS SHUT-OFF SAFETY - THERMOCOUPLE

A flame failure device (thermocouple) on each burner acts as a safety gas cut-off in case the flame is accidentally blown out. A thermocouple detects the absence of a flame and stops the supply of gas. The thermocouple must be heated for a few seconds when the burner is ignited before the knob is released.

PREHEATING THE OVEN

Most cooking times in recipes are intended for a preheated oven and require that the oven already be at the set temperature before placing food in the oven. Preheating time depends on the temperature setting and the number of racks in the oven.

Bake

Heat from bake burner only.

Use this setting for baking, roasting, and casseroles.

- Open the oven door, with oven/broiler thermostat knob in the OFF position,
- Press the thermostat knob for about 1 sec., release it immediately
- Turn it to the desired oven temperature; if the burner does not light up, turn the thermostat knob to the OFF position again and wait 1 minute before repeating the sequence.
- The gas oven operation is indicated by the light in the cavity.
- Before closing the oven door, visually check that the flame is on through the portholes on the oven compartment bottom panel. If no flame is visible, repeat the procedure.
- After lighting the burner and setting the desired temperature, wait until the thermometer shows the set temperature before placing food in the oven.

The BAKE mode is best for baking on one rack:

- Standard baking: level 3 or 4
- Baking tall items: level 3
- Pies: level 2 or 3
- Large cuts of meat or poultry: level 2

Light

Use this function to light the oven when the oven is off (for example to clean the oven). Turn the function knob to 'bake'. **DO NOT** turn on Oven Temperature Control Knob.

KEEPING YOUR BERTAZZONI CLEAN

Burn hazard

Make sure the heating elements are turned off and allowed to cool completely before any cleaning and/or maintenance operation.

Things to avoid:

- Do not use a steam cleaner to clean the range: the steam could reach electrical components and cause a short.
- Do not spray liquids such as cleaning agents into the openings on the bottom and top of the oven cavity.
- All surfaces can discolor or be damaged if unsuitable cleaning agents are used. The front of the oven, in particular, will be damaged by oven cleaners and descalers. All surfaces are susceptible to scratching. Scratches on glass surfaces may cause a breakage. Immediately remove any residues by using suitable cleaning products.
- The heating elements in the oven do not require cleaning. The elements burn off any residue when the oven is in use.

Cleaning stainless steel

All stainless steel parts should be wiped with hot water and soap solution at the end of each cycle. Wipe up spills and boilovers immediately. Use suitable, non-abrasive stainless cleaning products when water and soap solution will not do the job. *DO NOT use steel wool, abrasive cloths, cleaners, or powders.* If necessary, scrape stainless steel to remove encrusted materials, soak the area with hot towels to soften the residue, then use a wooden or nylon spatula or scraper. *DO NOT use a metal knife, spatula, or any other metal tool to scrape stainless steel.* DO NOT permit citrus or tomato juice to remain on stainless steel surface, as citric acid will permanently discolor stainless steel.

Cleaning painted surfaces

Clean with a soft cloth, warm water and non-abrasive dishwashing liquid. Whilst still damp, polish dry with a clean soft cloth.

Cleaning glass surfaces

Clean with cleaning detergent and warm water. Glass cleaner can be used to remove fingerprints. If using glass cleaner ammonia, make sure that it does not drip on exterior door surface.

Cleaning the broiler pan

Clean with detergent and hot water. For stubborn spots, use a soap-filled steel wool pad.

The porcelain enamel finish is acid resistant, but not acid proof. Acidic foods, such as citrus juices, tomatoes, rhubarb, vinegar, alcohol or milk, should be wiped up and not allowed to bake onto the porcelain during the next use.

Cleaning the stainless steel griddle

The stainless steel griddle is quite heavy and it can be cleaned in place without removing it. After cooking, allow the Griddle to cool until just warm. Use a spatula to remove any cooking residue. Wipe away any fat in the drip tray with paper towels. Clean the entire surface with warm water and dishwashing liquid, using a stainless steel scourer. Always work with the grain of the stainless steel. Certain types of food with high sodium content such as bacon may leave white marks. For these and other stubborn marks, use a cream cleaner suitable for stainless steel surfaces.

Cleaning the oven cavity

- Always allow the oven interior to cool before cleaning.
- Do not allow vinegar, wine, coffee, milk, salt water or fruit juices to remain in contact with enamelled surfaces for prolonged periods as they may stain or discolour the surface.
- Never use sharp utensils to remove stains as this could scratch the surface.
- Never use steam cleaners on the oven interiors as steam may damage electronic parts.
- For light cleaning, wipe with a soft cloth, using warm water and washing up liquid. For heavier residues, use a cream cleaner and a nylon scourer.
- Oven cleaning products can be used according to the manufacturer's directions but care should be taken that they do not come in contact with any stainless steel, chrome, painted or alloy parts of the range or the door seals and elements.

Cleaning oven racks and supports

Clean with detergent and hot water. Stubborn spots can be scoured with a soap-filled steel wool pad.

SIMPLE MAINTENANCE

These simple tasks can be performed by the owner. For any other maintenance task, we recommend employing a trained service technician. Please call our toll free line to identify service technicians in your area:

ENGLISH 866 905 0010
FRANCAIS 800 561 7265

REPLACING OVEN LIGHTS

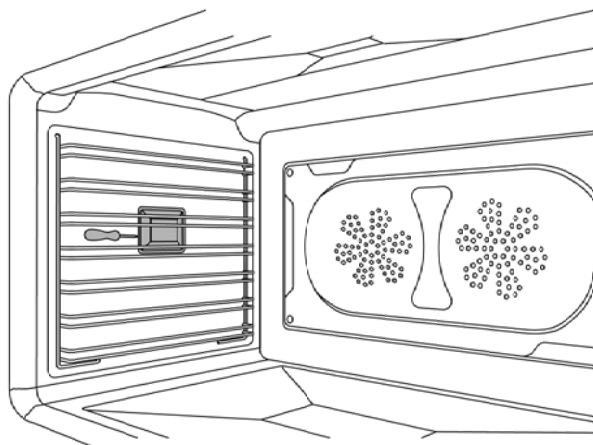
Warning! Electric shock hazard!

Disconnect the electric power at the main fuse or circuit breaker before replacing bulb. DO NOT touch bulb with bare hands. Clean off any signs of oil from the bulb and handle with a soft cloth.

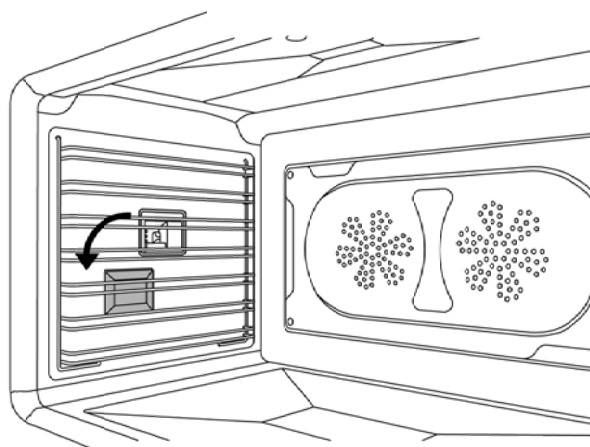
Side oven light

Bulb type: halogen G9 120 V, 40 W

- Make sure the heating elements are turned off and allowed to cool completely. Disconnect the appliance from the power supply. Remove the oven rack if it interferes with the light housing.
- Slide the tip of a flat screw driver between the glass cover and the lamp housing. Gently twist the screw driver tip to loosen the glass lens cover, holding it in place with your fingers to prevent it from falling and breaking.
- Remove the glass lens cover and then remove the halogen bulb.
- Place a new halogen bulb in its slot. DO NOT touch bulb with bare hands.
- Press the glass cover back into place and replace the oven rack.
- Reconnect the oven to the electrical supply.



1

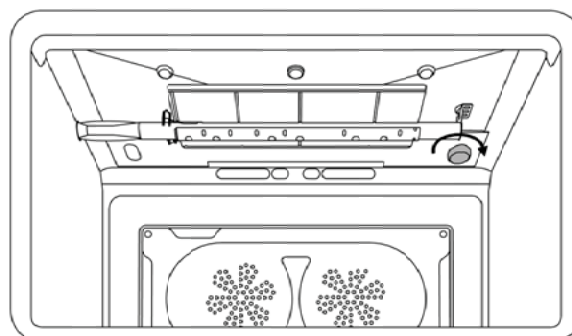


2

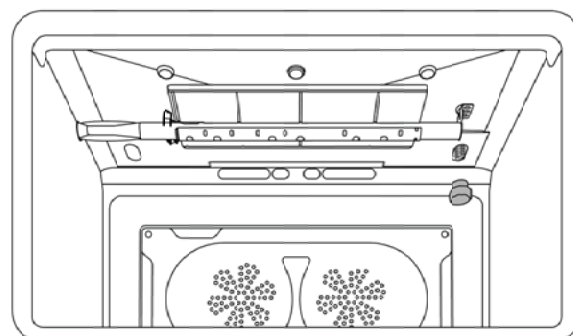
Top oven light

Bulb type: halogen G9 120 V, 40 W

- Make sure the heating elements are turned off and allowed to cool completely. Disconnect the appliance from the power supply.
- Unscrew the glass cover and remove the halogen bulb.
- Place a new halogen bulb in its slot. DO NOT touch bulb with bare hands
- Screw the glass cover back in place.
- Reconnect the oven to the electrical supply.



1

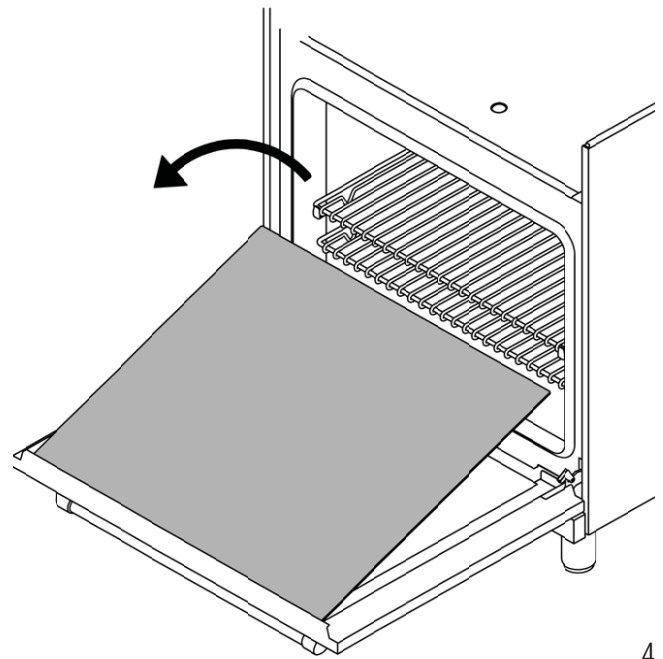
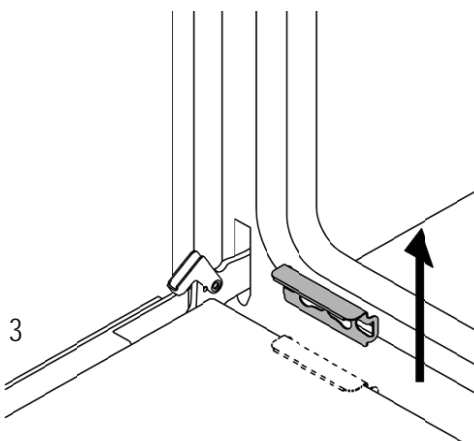
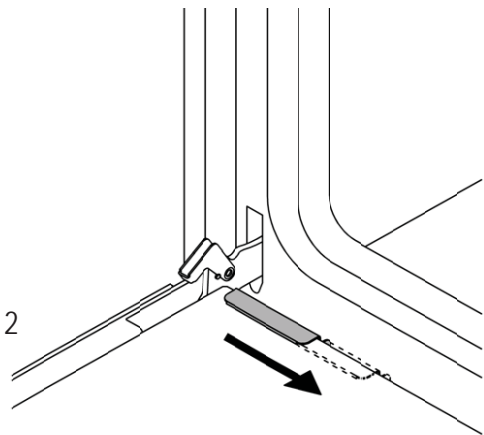
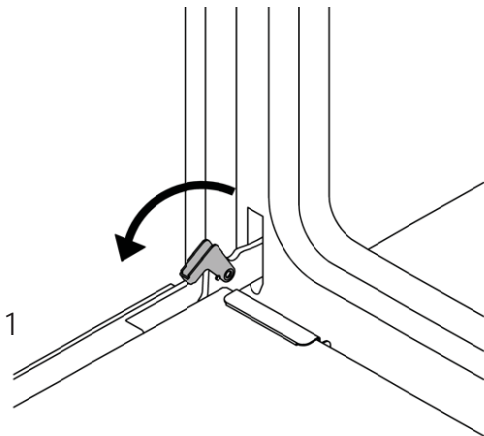


2

CLEANING INSIDE GLASS DOOR

The inner glass door panels can be easily removed for cleaning. It is not necessary to remove the door in order to clean the glass panes. The glass can be cleaned in situ or removed.

- Open the oven door to its fully extended position.
- Flip down hinge clip on each hinge to secure the door in an open position. A screwdriver may be necessary to carefully pry the clip back
- Slide the clips towards the centre of the door.
- Holding the glass pane, lift slightly and pull towards the oven to release the glass panel.



4

Warning!
If the hinges are not locked properly and the inner glass is removed, the door can close by itself causing personal injuries.

TROUBLESHOOTING

Here are answer to common problems you may experience. You are also welcome to call our toll free Customer Service line to troubleshoot any issue with your Bertazzoni:

ENGLISH 866 905 0010
FRANCAIS 800 561 7265

The oven will not operate

Is there power to the range? Are the igniters or burner holes blocked? Check the switch fuse or circuit breaker.

The surfer burners will not ignite

Is there power to the range? Are the igniters or burner holes blocked? Are the burner rings and burner caps seated firmly? Check the switch fuse or circuit breaker. Check that the igniter is clean and the burner holes are open and clean of any residue.

The burner ignites but switches off when the knob is released

The burners have flame failure devices fitted as standard. Therefore, after lighting the burner, keep the knob pressed for a few seconds to deactivate the flame failure device.

The ignition candles are sparking continuously

Is the cooktop wet from cleaning or a boil over? Turn off the electricity supply and thoroughly dry the burner components and igniters.

The control knob are getting too hot

Are you cooking with the oven door open? Keep the oven door shut when not in use or when grilling/broiling.

A control knob is loose on its shaft

The knob retaining spring clip may have been damaged. Call our service department for advice and a replacement if necessary.

Food is cooking too quickly

Are you using a convection mode? When using a fan-assisted oven cooking mode, it is recommended to reduce the cooking temperature by 70°F (20°C) compared to conventional cooking.

Food is not cooking evenly

Are you cooking large amount of food or are you using large bakeware?

Air needs to circulate through the oven for even cooking. Remove the grill pan from the oven when not in use and always allow a gap on all four sides of dishes. You may need to turn your bakeware during the cooking cycle. Oversized baking sheets, roasting pans and cakeware will act as a baffle and prevent hot air from moving evenly around the cavity. Choose cooking equipment that allows a minimum of 1 inch (2,5 cm) space on all sides to allow the free movement of heat inside the cavity.

Grilling in the oven is slow

Have you selected the correct function?

The fan continues to run after the oven is switched off

This is normal. The cooling fan may run on and off for up to 30 minutes after the oven is switched off to keep the controls cool.

Condensation forms in the oven

Have you pre-heated the oven? Condensation is less likely to form when the oven or grill is pre-heated before use.

Smoke is generated in the oven

Have you selected the right cooking temperature? Are you cooking food with high fat? Do you rarely use the grill? Have you cooked fat under the grill? Does the oven interior need to be cleaned? Remember to reduce the oven temperature by 70°F (20°C) if using a fan function with a recipe designed for conventional cooking. Use high-sided dishes to contain fats and splashes. Leave the grill on for a few minutes after grilling or roasting to burn off fat deposits from the oven roof. Oven surfaces should be cleaned regularly to prevent build-up of cooking residues.

Please kindly register on our web site www.bertazzoni.com to validate your new product warranty and help us to assist you better in case of any inconvenience.

TWO YEAR LIMITED WARRANTY

The warranties provided by Bertazzoni Spa in this statement apply exclusively to Bertazzoni appliances and accessories sold as new products to the original owner by a Bertazzoni authorized distributor, retailer, dealer or service center and installed in the United States and Canada. The warranties provided in this statement are not transferable and have validity from the date of installation.

Coverage information

Bertazzoni SpA will repair or replace any component part which fails or proves defective due to materials and/or workmanship within 2 years from the date of installation and under conditions of normal residential use. Repair or replacement will be free of charge, including labor at standard rates and shipping expenses. Repair service must be performed by a Bertazzoni Authorized Service Center during normal working hours.

Cosmetic warranty

Bertazzoni will cover parts showing cosmetic defects in material and workmanship for a period of thirty (30) days from date of installation of the unit. This coverage will include scratches, stains, surface imperfections on stainless steel, paint and porcelain, with the exclusion of slight differences in color due to materials and painting/enamelling technologies.

Exclusions are labor costs, B stock items, out-of-box appliances and display units.

How to obtain service

To obtain warranty service please contact Bertazzoni Customer Service at the numbers below and provide model number, serial number and date of purchase.

ENGLISH 866 905 0010
FRANCAIS 800 561 7265

Save proof of original purchase or of original installation to establish warranty period. Copy of the product serial tag is affixed to the back cover of the instruction manual.

What is not covered

The product used in any commercial application
Repair service provided by other than a Bertazzoni authorized service agency.
Damage or repair service to correct service provided by an unauthorized agency or the use of unauthorized parts.

Installation not in accordance with local electrical codes or plumbing codes.

Defects or damage due to improper storage of the product.

Defects or damage or missing parts on products sold out of the original factory packaging or from displays.

Service calls or repairs to correct the installation of the product and/or related accessories.

Service calls to connect, convert or otherwise repair the electrical wiring and/or gas line to properly use the product.

Service calls to provide instructions on the use of a Bertazzoni product.

Repair service due to product usage in manner other than what is normal and customary for home use.

Replacement of wear and tear parts

Replacement of glasses and light bulbs if they are claimed to have failed later than 30 days after installation and in no case later than 4 months after date of purchase

Defects and damages arising from accident, alteration, misuse, abuse, improper installation.

Defects and damages arising from transportation of the product to the home of the owner.

Defects and damage arising from external forces beyond the control of Bertazzoni SpA such as fire, flood, earthquakes and other acts of God.

In case the product will be installed in a remote area, where certified trained technicians are not reasonably available, the customer will be responsible for the transportation costs for the delivery of the product to the nearest authorized service center or for the displacement costs of a certified trained technician.

Bertazzoni does not assume any responsibility for incidental or consequential damages.

Some states do not allow the exclusion or limitation of incidental or consequential damages, so the above limitation or exclusion may not apply to you. This warranty gives you specific legal rights and you may also have other rights which may vary from state to state or province to province.

GARANTIE LIMITÉE DE DEUX ANS

/ Garantie limitée de deux ans

La garantie fournie par Bertazzoni Spa dans ce document s'applique exclusivement aux appareils et accessoires Bertazzoni vendus neufs au propriétaire d'origine par un distributeur, revendeur ou centre d'assistance autorisé par Bertazzoni, installé aux États-Unis ou au Canada. La garantie fournie dans ce document n'est pas cessible et entre en vigueur à la date d'installation.

Informations sur la garantie

Bertazzoni Spa réparera ou remplacera tout composant en panne ou défectueux du fait des matériaux et/ou de la fabrication pendant 2 ans à compter de la date d'installation et uniquement dans le cadre d'un usage domestique normal. Les réparations ou remplacements ne seront pas facturés et comprennent la main-d'œuvre au taux standard et les frais de transport. Les réparations doivent être réalisées par un centre de maintenance autorisé par Bertazzoni, aux heures de travail normales.

Garantie esthétique

La garantie offerte par Bertazzoni s'appliquera sur les composants présentant des défauts esthétiques liés aux matériaux et aux défauts de fabrication pendant trente (30) jours à compter de la date d'installation de l'appareil. Cette garantie inclut les rayures, taches, imperfections superficielles de l'acier inoxydable, des peintures et du revêtement émaille, à l'exception des légères différences de couleur dues aux matériaux et aux technologies de peinture/d'émaillage. **Les frais liés à la main-d'œuvre, les articles d'occasion, les appareils déballés, les articles de démonstration sont exclus du champ d'application de la garantie.**

Comment faire appliquer la garantie

Pour faire appliquer la garantie, veuillez contacter le Service clients de Bertazzoni aux numéros ci-dessous en indiquant le numéro de modèle, le numéro de série et la date d'achat.

**ENGLISH 866 905 0010
FRANÇAIS 800 561 7265**

Conserver les documents attestant l'achat original ou l'installation originale afin de déterminer la période de garantie. Le numéro de série du produit est reproduit au dos du manuel d'instructions.

Ce que la garantie ne couvre pas

Le produit utilisé dans un cadre commercial. Les réparations assurées par un opérateur autre qu'une agence spécialisée autorisée par Bertazzoni.

Les dommages ou réparations effectués afin de corriger une réparation réalisée par une société non autorisée ou utilisation de composants non autorisés. L'installation non conforme aux réglementations locales en matière d'électricité ou de plomberie. Les défauts ou dommages dus à un entreposage inapproprié du produit.

Les défauts ou dommages vendus sans leur emballage d'origine ou des produits de démonstration. Les interventions ou réparations visant à rectifier l'installation du produit et/ou de ses accessoires. Les interventions visant à raccorder, convertir ou réparer le câblage électrique et/ou la conduite d'alimentation en gaz afin d'utiliser correctement le produit.

Les interventions visant à fournir des instructions sur l'utilisation d'un produit Bertazzoni. Les réparations résultant d'une utilisation du produit autre qu'une utilisation normale et habituelle dans le cadre domestique. Remplacement des pièces d'usure normale Le remplacement des vitres et des ampoules d'éclairage en cas de défaillance au-delà des 30 jours suivant l'installation et en aucun cas au-delà de 4 mois après la date d'achat. Les défauts et dommages résultant d'un accident, d'une altération, d'une mauvaise utilisation, d'un abus, d'une installation inappropriée. Les défauts et dommages résultant de facteurs externes échappant au contrôle de Bertazzoni SpA, comme les incendies, les inondations, les tremblements de terre et autres cas de force majeure.

Au cas où le produit serait installé dans une zone éloignée, où des techniciens formés ne pourraient raisonnablement se rendre, le client prendra à sa charge les frais d'expédition du produit jusqu'au centre de maintenance autorisé le plus proche ou les frais de déplacement d'un technicien formé et certifié.

Bertazzoni décline toute responsabilité en cas de dommages indirects ou consécutifs à l'utilisation du produit.

Certains états n'autorisent pas l'exclusion ou la limitation de responsabilité en cas de dommages indirects ou consécutifs ; par conséquent, la limitation ou l'exclusion susmentionnée pourrait ne pas s'appliquer à votre cas. La présente garantie vous confère des droits juridiques spécifiques. Vous pourriez également bénéficier d'autres droits, susceptibles de varier d'un état ou d'une province à l'autre.

Vous trouverez ci-après des solutions aux problèmes les plus fréquents. Vous pouvez aussi appeler le numéro vert de notre Service clients pour résoudre tout problème lié à votre cuisinière Bertazzoni :

ENGLISH 866 905 0010
FRANÇAIS 800 561 7265

Le four ne démarre pas

La cuisinière est-elle sous tension ? Les allumeurs ou les trous des brûleurs sont-ils obstrués ? Vérifier l'interrupteur à fusibles ou le disjoncteur.

Les brûleurs de la surface de cuisson ne s'allument pas

La cuisinière est-elle sous tension ? Les allumeurs ou les trous des brûleurs sont-ils obstrués ? Les anneaux et les chapaux des brûleurs sont-ils correctement insérés ?

Le brûleur s'allume mais s'éteint dès que le bouton est relâché

Les brûleurs sont équipés d'un dispositif d'arrêt du gaz. Une fois le brûleur allumé, maintenir le bouton enfoncé pendant quelques secondes pour désactiver le dispositif d'arrêt du gaz.

Les bougies d'allumage fonctionnent continuellement des étincelles

La surface de cuisson est-elle encore humide après un nettoyage ou un débordement ? Couper l'alimentation électrique et sécher soigneusement les composants et les allumeurs du brûleur.

Le bouton de réglage est trop chaud

La porte du four reste-t-elle ouverte pendant la cuisson ? La porte du four doit rester fermée en cas d'utilisation du four ou d'utilisation du grill.

Un bouton de réglage s'est dévissé de son axe

Le clip à ressort de blocage est peut-être endommagé. Appeler notre Service d'entretien pour des conseils et, le cas échéant, un remplacement.

Les aliments cuisent trop vite

Le mode de cuisson par convection est-il utilisé ? Lors de l'utilisation d'un mode de cuisson au four par convection, il est recommandé de réduire la température de 70°F (20°C) par rapport à la température habituelle.

La cuisson n'est pas uniforme

De grandes quantités de nourriture sont-elles cuisinées, ou un plat à four de grande taille est-il utilisé ?

Pour une cuisson uniforme, l'air doit pouvoir circuler dans le four. Enlever le grill du four lorsqu'il n'est pas utilisé et toujours laisser un peu d'espace autour des plats. Il pourrait s'avérer nécessaire de tourner le plat pendant la cuisson. Les plaques de cuisson, plats à gratin et moules à gâteaux de taille excessive empêchent la bonne circulation de l'air chaud dans le four. Choisir des équipements de cuisson laissant un espace minimum d'1 pouce (2,5 cm) de chaque côté, pour permettre à la chaleur de circuler librement dans le four.

Le grill du four est lent

La bonne fonction a-t-elle été choisie ?

Le ventilateur continue à tourner même après l'extinction du four

C'est normal. Le ventilateur de refroidissement peut continuer à fonctionner jusqu'à 30 minutes après l'extinction du four, pour éviter que les boutons de réglage ne chauffent.

De la condensation se forme dans le four

Le four a-t-il été préchauffé ?

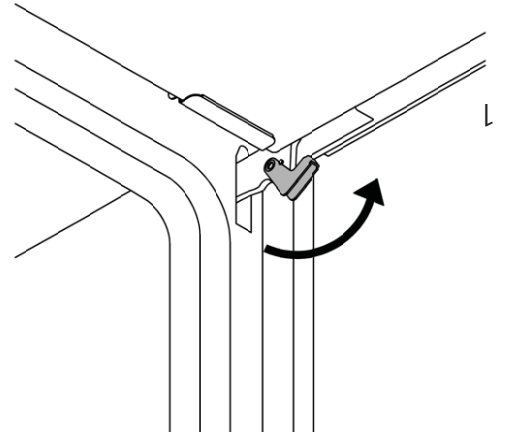
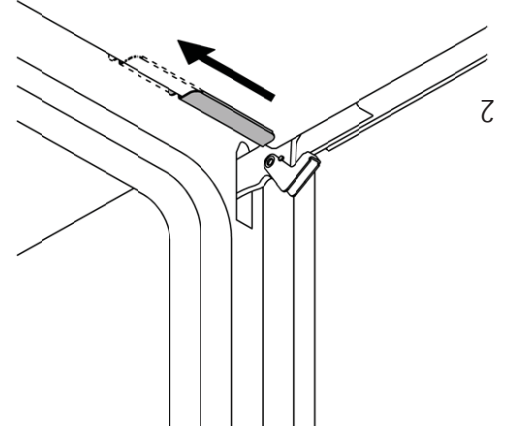
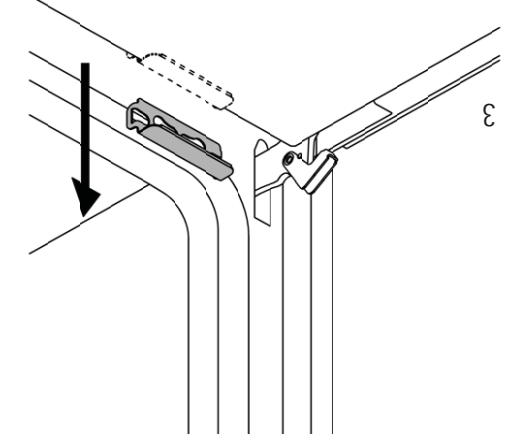
Il y aura moins de condensation si le four ou le grill est préchauffé avant l'utilisation.

Le four génère de la fumée

La bonne température de cuisson a-t-elle été choisie ? Une grande quantité de matières grasses est-elle utilisée ? Le grill est-il rarement utilisé ? Des aliments gras ont-ils été cuits sous le grill ? L'intérieur du four a-t-il besoin d'être nettoyé ?

Se rappeler de réduire la température du four de 70°F (20°C) en cas d'utilisation d'un mode de cuisson par convection pour une recette créée pour un mode de cuisson traditionnel. Utiliser des plats à bord haut pour contenir les graisses et éviter les éclaboussures. Laisser le grill allumé pendant quelques minutes après l'utilisation du grill ou de la rotissoire afin de brûler les dépôts de graisse présents sur la partie supérieure du four. Nettoyer régulièrement les surfaces du four pour éviter les dépôts de nourriture.

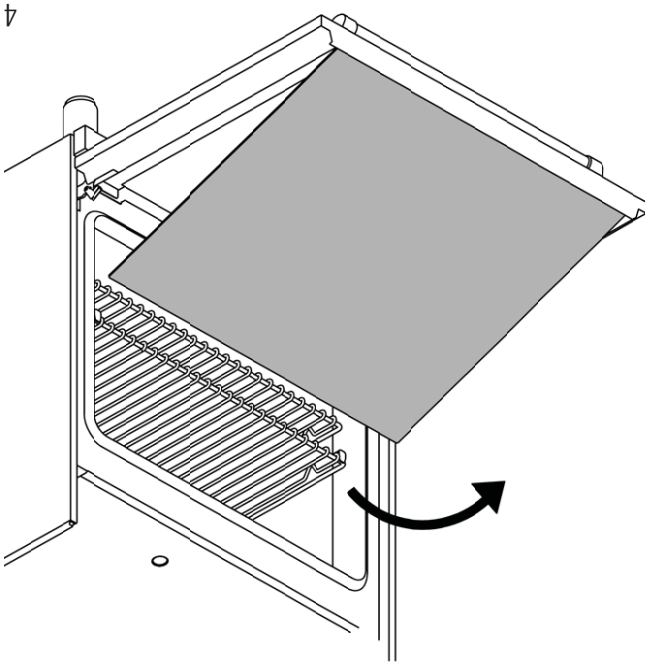
Veuillez vous inscrire sur notre site Internet www.bertazzoni.com pour valider la garantie de votre nouveau produit et nous permettre de vous aider en cas de besoin.



NETTOYAGE DE L'INTÉRIEUR DE LA PORTE VITRÉE

Les panneaux intérieurs de la porte vitrée peuvent être aisément retirés pour être nettoyés. Il n'est pas nécessaire de démonter la porte pour nettoyer la vitre en verre. La vitre peut être nettoyée directement ou retirée.

- Ouvrir complètement la porte du four.
- Rabattre le clip de chaque charnière pour bloquer la porte en position ouverte. Un tournevis peut être nécessaire pour faire lever sur le clip.
- Faire glisser les clips vers le centre de la porte. En tenant la vitre en verre, la soulever délicatement et la tirer vers le four pour défaire le panneau en verre.



Avertissement !
Si les charnières ne sont pas correctement bloquées, et que la vitre intérieure est démontée, la porte peut se refermer toute seule et causer des blessures.

Ces opérations simples peuvent être réalisées par l'utilisateur de la cuisinière. Pour toute opération plus complexe, nous recommandons l'intervention d'un technicien de maintenance formé. Veuillez appeler notre Service d'assistance pour trouver les techniciens de maintenance proches de chez vous :

ENGLISH 866 905 0010
FRANÇAIS 800 561 7265

REMPLACEMENT DES AMPOULES DU FOUR

Danger ! Risque de décharge électrique !

Débrancher l'alimentation électrique au niveau du fusible principal ou du disjoncteur avant de remplacer l'ampoule. NE PAS toucher l'ampoule à mains nues. Nettoyer toute trace d'huile sur l'ampoule et la manipuler avec un linge fin.

Lampe latérale du four

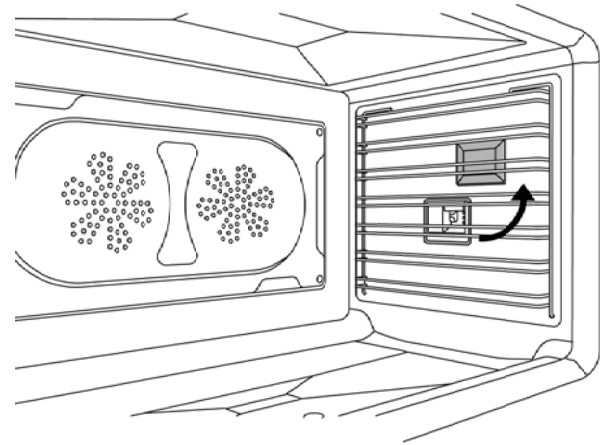
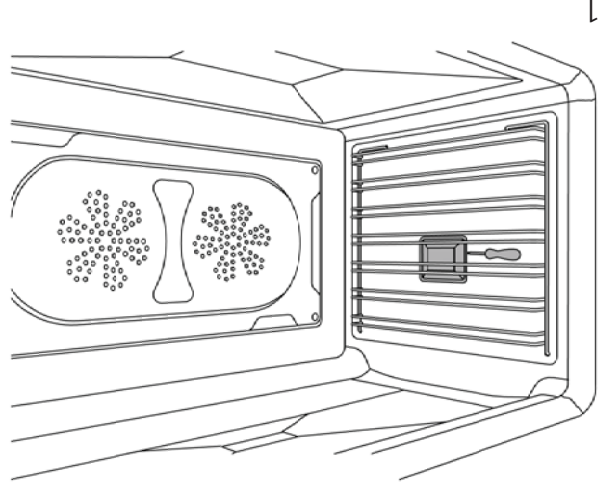
Type d'ampoule : halogène G9 120 V, 40 W

● S'assurer que les éléments chauffants sont éteints et entièrement refroidis. Débrancher la cuisinière de sa source d'alimentation électrique.

● Dévisser la vitre de protection puis retirer l'ampoule halogène.
 ● Insérer une nouvelle ampoule halogène dans le logement. NE PAS toucher l'ampoule à mains nues.
 ● Remettre en place la vitre de protection en la revissant.

● Rebrancher le four à l'alimentation électrique.

● Retirer la vitre de protection puis l'ampoule halogène. et ne se casse.
 ● Insérer une nouvelle ampoule halogène dans le logement. NE PAS toucher l'ampoule à mains nues.
 ● Rebrancher le four à l'alimentation électrique.



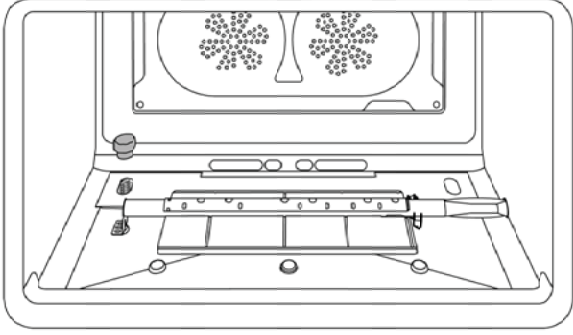
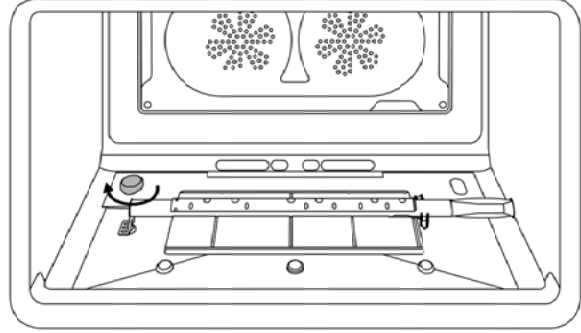
Lampe supérieure du four

Type d'ampoule : halogène G9 120 V, 40 W

● S'assurer que les éléments chauffants sont éteints et entièrement refroidis. Débrancher la cuisinière de sa source d'alimentation électrique.

● Dévisser la vitre de protection puis retirer l'ampoule halogène.
 ● Insérer une nouvelle ampoule halogène dans le logement. NE PAS toucher l'ampoule à mains nues.
 ● Remettre en place la vitre de protection en la revissant.

● Rebrancher le four à l'alimentation électrique.



Risque de brûlure
S'assurer que les éléments chauffants sont éteints et ont complètement refroidi avant d'effectuer toute opération de nettoyage et/ou d'entretien.

Actions à ne pas faire :

- N'utilisez pas de nettoyeur vapeur pour nettoyer la cuisinière : la vapeur pourrait entrer en contact avec des composants électriques et entraîner un court-circuit.
- Ne vaporisez pas de liquides tels que des produits nettoyeurs dans les ouvertures situées au bas et sur le dessus de la cavité du four.

- Les surfaces peuvent se décolorer ou être endommagées suite à l'utilisation de produits nettoyeurs inappropriés. L'avant du four, en particulier, peut être endommagé par les produits nettoyeurs pour four et les produits désincrustants. Toutes les surfaces sont sensibles aux rayures. Des rayures sur une surface vitrée peuvent entraîner une rupture. Éliminer immédiatement tout résidu à l'aide de produits nettoyeurs adaptés.
- Les éléments chauffants dans le four ne nécessitent pas de nettoyage. Ces éléments brûlent tous les résidus quand le four est utilisé.

Nettoyage de l'acier inoxydable

Toutes les parties en acier inoxydable doivent être nettoyées avec une solution d'eau chaude savonneuse après chaque cycle de travail. Les projections et déversements doivent être nettoyés immédiatement. Utiliser des produits nettoyeurs non abrasifs adaptés à l'acier inoxydable si de l'eau savonneuse ne suffit pas. *NE PAS utiliser de laine d'acier, de linges abrasifs, de produits ou de poudres nettoyeurs.* Si nécessaire, gratter l'acier inoxydable pour en retirer les incrustations ; pour cela, mouiller avec un chiffon humide et chaud pour ramollir le dépôt, puis utiliser une spatule en bois ou en nylon ou une raclette. *NE PAS utiliser de couteau, de spatule ou tout autre ustensile en métal pour gratter l'acier inoxydable !* NE PAS laisser de jus de citron ou de tomate sur la surface en acier inoxydable, l'acide citrique pouvant décolorer de façon indélébile l'acier inoxydable.

Nettoyage des surfaces peintes

Nettoyer avec un linge doux, de l'eau chaude et du liquide vaisselle non abrasif. Tandis que la surface est encore humide, frotter avec un linge doux et propre.

Nettoyage des surfaces en verre

Nettoyer avec un produit nettoyant et de l'eau chaude. Les nettoyeurs pour vitre peuvent être utilisés pour éliminer les empreintes de doigts. En cas d'utilisation d'un nettoyeur pour vitre avec ammoniac, s'assurer qu'il ne dégouline pas sur la surface extérieure de la porte.

Nettoyage du lèchérite

Nettoyer avec un produit nettoyant et de l'eau chaude. Pour les résidus incrustés, utiliser de la laine d'acier et du savon.

Le revêtement émaillé est résistant aux acides, mais ceux-ci doivent être retirés dès que possible pour ne pas altérer la surface. Les aliments acides tels que les jus de citron, de tomate et de rhubarbe, le vinaigre, l'alcool ou le lait doivent être nettoyés et ne doivent pas rester sur la plaque de cuisson lors de l'utilisation suivante du four.

Nettoyage du grill en acier inoxydable

Le grill en acier inoxydable est assez lourd et peut être nettoyé sans être retiré du four. Après la cuisson, laisser le grill refroidir jusqu'à ce qu'il soit tiède. Utiliser une spatule pour éliminer les résidus de cuisson. Essuyer toute trace de gras dans le bac d'égouttage avec de l'essuie-tout. Nettoyer l'ensemble de la surface avec de l'eau chaude, du liquide-vaisselle et un tampon à récurer en acier inoxydable. Toujours aller dans le sens du grain de l'acier inoxydable. Certains types d'aliments à forte teneur en sodium, comme le bacon, peuvent laisser des traces blanches. Pour ces taches incrustées et d'autres, utiliser une crème nettoyante adaptée aux surfaces en acier inoxydable.

Nettoyage de la cavité du four

- Toujours laisser l'intérieur du four refroidir

- Ne pas laisser le vinaigre, le vin, le café, le lait, l'eau salée ou les jus de fruits rester longtemps en contact avec des surfaces émaillées, car ils pourraient tacher ou décolorer la surface.
- Ne jamais utiliser d'ustensiles pointus pour éliminer des saletés, cela pourrait rayer la surface.
- Ne jamais utiliser de nettoyeur vapeur à l'intérieur du four, la vapeur pourrait endommager les composants électroniques.

- Pour nettoyer la lampe du four, l'essuyer avec un linge doux imbibé d'eau chaude et de liquide nettoyant. En cas de résidus incrustés, utiliser une crème nettoyante et un tampon à récurer en nylon.
- Les produits nettoyeurs pour four doivent être utilisés conformément aux consignes du fabricant, mais il convient de veiller à ce qu'ils n'entrent pas en contact avec toute partie de la cuisinière en acier inoxydable, chromée, peinte ou en alliage, ou avec les éléments et les joints de la porte.

Nettoyage des plaques et des supports du four

Nettoyer avec un produit nettoyant et de l'eau chaude. Pour les résidus incrustés, utiliser de la laine d'acier et du savon.

FOUR À GAZ AUXILIAIRE

Uniquement disponible en modèle de 48"

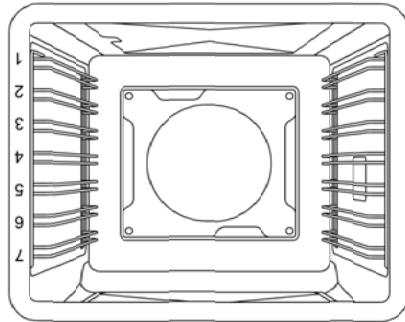
Avertissement !
Ne pas utiliser le four à gaz en cas de coupure d'électricité. En cas de coupure d'électricité, mettre les boutons de réglage du four/grill sur OFF. Les brûleurs du four/grill ne peuvent pas fonctionner tant que l'alimentation électrique n'a pas été rétablie.

Si la flamme du brûleur du four s'éteint accidentellement pendant le fonctionnement, mettre le bouton de contrôle de la température sur OFF en le tournant dans le sens anti-horaire. Attendre au moins 60 secondes avant de rallumer le four.

Attention !
Lors de la première utilisation du four, celui-ci doit être mis en marche pendant 15-30 minutes à une température d'environ 500°F/260 °C sans rien cuire à l'intérieur, afin d'éliminer les éventuelles moisissures et odeurs d'isolation interne.

POSITION DES PLAQUES

Les plaques sont montées sur les guides correspondants situés sur les côtés du compartiment du four. Insérer la plaque entre le guide supérieur et inférieur, dans l'une des 7 positions indiquées.



VENTILATEUR DE REFOIDISSEMENT

Fonctionnement automatique du ventilateur de refroidissement

La cuisinière est équipée d'un ventilateur de refroidissement contrôlé par thermostat pour éviter que le panneau de commande et les boutons ne surchauffent. Le ventilateur de refroidissement se met en marche lorsque la température du four s'élève. Il s'éteindra dès que la température se sera abaissée.

REMARQUE : Il est normal pendant la ventilation et lorsque le four est allumé que de l'air chaud soit expulsé dans la pièce.

DISPOSITIF DE SÉCURITÉ D'ARRÊT DU GAZ - THERMOCOUPLE

Un dispositif d'arrêt du gaz (thermocouple) sur chaque brûleur fait office de sécurité au cas où la flamme s'éteindrait accidentellement. Le thermocouple détecte l'absence de flamme et coupe l'alimentation en gaz. Le thermocouple doit être chauffé pendant quelques secondes lorsque le brûleur est allumé, avant que le bouton ne soit relâché.

PRÉCHAUFFAGE DU FOUR

Le plus souvent, les temps de cuisson indiqués dans les recettes sont donnés pour un four préchauffé et nécessitent que le four soit déjà à la température requise avant d'y introduire les aliments. Le temps de préchauffage dépend du réglage de la température et du nombre de grilles présentes dans le four.

Cuisson au four

Chaleur produite par le brûleur du four uniquement.
Utiliser cette fonction pour les cuissons au four, les rôtis et les ragouts.

- Ouvrir la porte du four, avec le bouton du thermostat du four/grill positionné sur OFF.
- Appuyer sur le bouton du thermostat pendant 1 seconde environ et le relâcher immédiatement.
- Le tourner sur la température souhaitée ; si le brûleur ne s'allume pas, tourner à nouveau le bouton du thermostat sur OFF et attendre 1 minute avant de répéter la séquence.
- La mise en marche du four à gaz est indiquée par la lumière dans la cavité.
- Avant de refermer la porte du four, contrôler visuellement que la flamme est allumée et visible à travers le hublot du panneau inférieur du compartiment du four. Si aucune flamme n'est visible, répéter la procédure.
- Après avoir allumé le brûleur et défini la température souhaitée, attendre que le thermomètre indique que la température définie a été atteinte avant d'introduire les aliments dans le four.

Le mode « BAKE » (cuisson au four standard) est optimal sur un niveau :

- Cuisson au four standard : niveau 3 ou 4
- Cuisson d'aliments hauts : niveau 3
- Tartes : niveau 2 ou 3
- Grosses pièces de viande ou volaille : niveau 2

Lumière

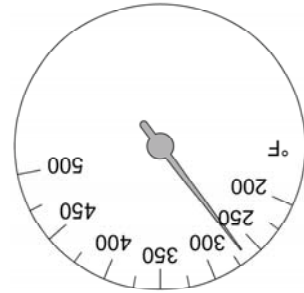
Utiliser cette fonction pour éclairer le four lorsque celui-ci est éteint (par exemple pour le nettoyer). Mettre le sélecteur de fonctions sur « BAKE » (cuisson au four). NE PAS tourner le bouton de réglage de la température du four.

INDICATEUR DE TEMPÉRATURE DU FOUR

La cuisinière est équipée d'un dispositif indiquant la température au centre du four. Celui-ci permet de vérifier la température dans le four et d'ajuster précisément les températures de cuisson.

Lorsque le four est allumé, le brûleur commence par fonctionner au maximum et l'indicateur de température se déplace vers la température définie. La chaleur est répartie de manière optimale dans le four lorsque l'indicateur de température ne bouge plus. Lorsque le four est éteint, la température qu'indique le thermomètre commencera à diminuer jusqu'à atteindre la température ambiante.

● *la jauge est uniquement donnée à titre de référence.*



GUIDES TÉLESCOPIQUES

Les guides télescopiques s'adaptent à chaque niveau et aux grilles faisant partie des équipements standards.

Montage des guides

1 - Localiser les deux clips à ressort à l'avant et à l'arrière des guides.

2 - Localiser la tige sur le guide ; elle indique l'arrière.

3 - Choisir le niveau adapté et positionner le guide télescopique à proximité de la grille supérieure.

4 - Insérer doucement le clip à ressort antérieur sur le guide.

5 - Insérer le clip à ressort postérieur sur le guide.

6 - Faire coulisser d'avant en arrière chaque guide pour s'assurer de son installation correcte et de son bon fonctionnement.

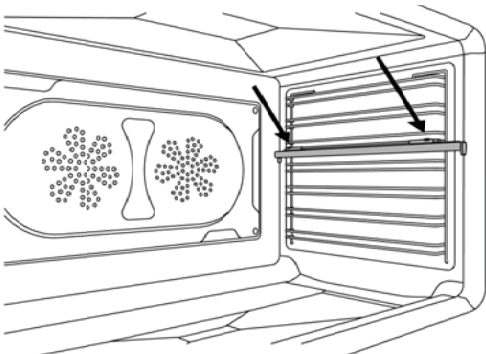
7 - Faire sortir complètement les deux guides et poser la plaque sur ceux-ci, en s'assurant qu'elle est correctement positionnée entre les supports avant et arrière.

Démontage des guides

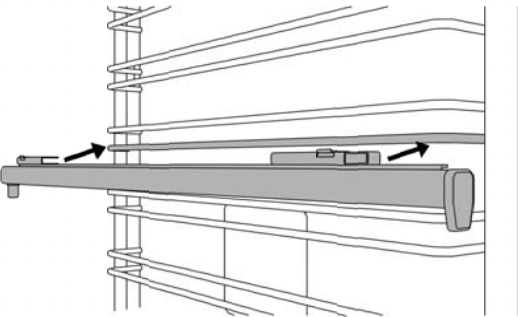
1 - Localiser les deux clips à ressort à l'avant et à l'arrière des guides.

2 - Abaisser délicatement le clip à ressort antérieur. 3 - Eloigner le guide du côté du four ; veiller à ne pas forcer sur le clip.

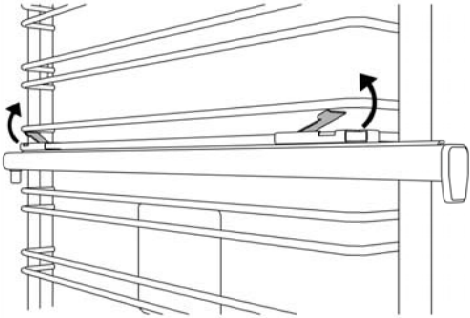
4 - Répéter les étapes 2 et 3 sur le clip à ressort postérieur pour retirer le guide.



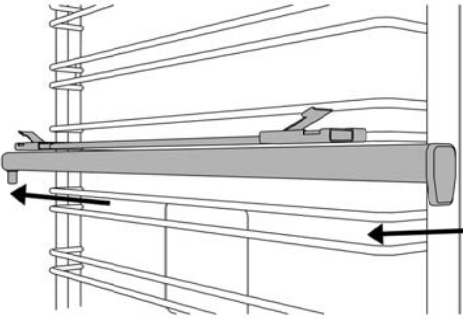
1



2



3



4

RECOMMANDATIONS POUR LA CUISSON AU GRILL

Aliment	Sélecteur de réglage de la température	Temps de cuisson approximatif	Instructions spéciales et astuces
---------	--	-------------------------------	-----------------------------------

BœUF	Température fixe 500°F	15 à 20 minutes	Passer au grill jusqu'à ce que le centre ne soit plus rose
------	------------------------	-----------------	--

Steaks hachés de bœuf, épaisseur 1/2"	Température fixe 500°F	12 à 20 minutes	La durée dépend de la cuisson du steak
---------------------------------------	------------------------	-----------------	--

T-Bone	Température fixe 500°F	12 à 20 minutes	Saignant ou à point
--------	------------------------	-----------------	---------------------

Bavette	Température fixe 500°F	12 à 20 minutes	Les petits rôtis demandent plus de temps par livre ; réduire la durée si la cuisson par convection est utilisée
---------	------------------------	-----------------	---

Rôti de rouelle	325°F	20 à 25 min/livre	Poursuivre la cuisson jusqu'à ce que les jus soient clairs
-----------------	-------	-------------------	--

Rôti de longe de PORC	325°F	20 à 25 min/livre	Poursuivre la cuisson jusqu'à ce que les jus soient clairs
-----------------------	-------	-------------------	--

VOLAILLE	Température fixe 500°F	20 à 25 minutes	Poursuivre la cuisson jusqu'à ce que les jus soient clairs
----------	------------------------	-----------------	--

Désossée et sans peau	Température fixe 500°F	20 à 25 minutes	Enlever la peau ; poursuivre la cuisson jusqu'à ce que les jus soient clairs
-----------------------	------------------------	-----------------	--

Blancs de poulet	Température fixe 500°F	25 à 30 minutes	Tourner à l'aide de pinces ; poursuivre la cuisson jusqu'à ce que les jus soient clairs
------------------	------------------------	-----------------	---

Pilons de poulet	Température fixe 500°F	30 à 45 minutes	Tourner à l'aide de pinces ; poursuivre la cuisson jusqu'à ce que les jus soient clairs
------------------	------------------------	-----------------	---

Demi poulet	Température fixe 500°F	30 à 45 minutes	Tourner à l'aide de pinces ; poursuivre la cuisson jusqu'à ce que les jus soient clairs
-------------	------------------------	-----------------	---

Poulet rôti	350°F	75 à 90 minutes	Ne pas farcir ; réduire la durée si la cuisson par convection est utilisée
-------------	-------	-----------------	--

Dinde	325°F	20 à 25 min/livre	Ne pas farcir ; réduire la durée si la cuisson par convection est utilisée
-------	-------	-------------------	--

RÉSOLUTION DES PROBLÈMES LES PLUS FRÉQUENTS EN CAS DE CUISSON AU FOUR

Problème	Cause	Remède
----------	-------	--------

Gâteaux brûlés sur les côtés et pas assez cuits au centre	Four trop chaud Récipient de mauvaise taille	Réduire la température Utiliser un récipient de la taille recommandée
---	---	--

Gâteaux craquelés sur le dessus	Pâte trop épaisse Four trop chaud	Suivre la recette ou ajouter du liquide Réduire la température
---------------------------------	--------------------------------------	---

Le dessous des aliments a noirci	Récipient de mauvaise taille	Utiliser un récipient de la taille recommandée
----------------------------------	------------------------------	--

Le dessous des aliments a noirci	Porte du four ouverte trop fréquemment Position de la grille incorrecte Mauvais réglage du four	Contrôler les aliments à travers la vitre de la porte du four Utiliser la position de grille recommandée Choisir la cuisson conventionnelle ou par convection, selon les besoins
----------------------------------	---	--

Le dessus des aliments a noirci	Position de la grille incorrecte Four non préchauffé	Utiliser la position de grille recommandée Laisser le four préchauffer
---------------------------------	---	---

Cookies trop aplatis	Plaque à pâtisserie chaude Four trop chaud	Laisser la plaque refroidir entre deux cuissons Réduire la température
----------------------	---	---

Tartes brûlées sur les bords	Four trop chaud Four non préchauffé	Laisser le four préchauffer Réduire la température
------------------------------	--	---

Tartes trop claires sur le dessus	Four pas assez chaud Four non préchauffé	Augmenter la température Laisser le four préchauffer
-----------------------------------	---	---

Aliments	Taille du récipient de cuisson	Réglage de la température	Temps de cuisson total conseillé
Cookies	Plaque à pâtisserie 12"x15"	375°F	8 à 12 minutes
Gâteaux à étages	Moule à manqué 8" ou 9"	350°F	25 à 35 minutes
Gâteaux bas	Récipient de cuisson 9"x13"	350°F	30 à 40 minutes
Gâteaux bundt	Plaque à 12 savarins	325°F	60 à 75 minutes
Brownies ou barres chocolatées	Récipient de cuisson 9"x9"	325°F	20 à 25 minutes
Biscuits	Plaque à pâtisserie 12"x15"	425°F ou instructions sur l'emballage	10 à 15 minutes
Pains éclair	Moule 8"x4"	350°F	55 à 70 minutes
Muffins	Plaque à 12 muffins	425°F	14 à 19 minutes
Tartes aux fruits	Diamètre 9"	425°F	35 à 45 minutes
Clafoutis	Récipient de cuisson 9"x9"	400°F	25 à 30 minutes
Pains à la levure ou miches	Moule 8"x4"	375°F	25 à 30 minutes
Pains moelleux	Récipient de cuisson 9"x13"	400°F	12 à 18 minutes
Roulés à la cannelle	Récipient de cuisson 9"x13"	375°F	25 à 30 minutes
Gâteaux levés	Plaque à pâtisserie 12"x15"	400°F	20 à 30 minutes

RECOMMANDATIONS POUR LA CUISSON

- Réduire autant que possible le nombre d'ouvertures et de fermetures de la porte du four pendant son utilisation.
- Utiliser le niveau recommandé pour la recette et affiner le positionnement selon vos expériences passées.
- Utiliser le plat à four recommandé pour la recette.
- Entposer le ou les lèche-frites hors du four. Un élément vide présent dans le four aura un impact sur la coloration et la cuisson des aliments.
- Pour obtenir des croûtes tendres et dorées,

OBTENIR LES MEILLEURS RÉSULTATS

- utiliser des récipients métalliques anti-adhérents/anodisés ou polis.
- Pour des croûtes foncées et croustillantes, utiliser des récipients foncés non-adhérents/anodisés ou en métal de couleur sombre ou un plat à four en verre. Ceux-ci peuvent nécessiter une température de cuisson plus faible de 25°F (14°C).
- Laisser un espace d'au moins 1" (25,4 mm) entre les récipients et les parois du four, de sorte que la chaleur puisse circuler entre chaque récipient.
- Pour garder le four aussi propre que possible, cuire la viande dans un plat à four plutôt que directement sur les plaques de cuisson.

Si aucune flamme n'est visible, répéter la

procédure.

Le mode de cuisson au grill est efficace avec les

aliments placés sur les niveaux supérieurs.

- Biftecs, steaks de viande hachée, côtelettes d'agneau d'1 pouce ou moins : niveau 6.

- Viandes épaisses d'1 pouce ou plus, poisson, volaille, côtelettes de porc, steaks de jambon d'1 pouce ou plus : niveau 5.

- Brunir des aliments : niveau 6.

FONCTIONS SPÉCIALES

Lumière

Utiliser cette fonction pour éclairer le four lorsque

celui-ci est éteint (par exemple pour le nettoyer).

Mettre le sélecteur de fonctions sur « BAKE » (cuisson au four). NE PAS tourner le bouton de

réglage de la température du four.

Levage

La fonction « levage » maintient la chaleur

nécessaire pour faire lever une préparation. Il est

préférable de commencer avec le four froid en cas

d'utilisation de cette fonction. Mettre le sélecteur

de fonction sur « LIGHT » (lumière) NE PAS

tourner le bouton de réglage de la température du

four. Ne pas ouvrir intempestivement la porte du

four.

Décongélation par convection

L'air est mis en mouvement par les ventilateurs.

Les ventilateurs accélèrent la décongélation

naturelle des aliments sans les chauffer. NE PAS

laisser les aliments à décongeler dans le four

pendant plus de deux heures. Placer les aliments

congelés sur une plaque de cuisson. Mettre le

sélecteur des fonctions sur « CONV. » NE PAS

tourner le bouton de réglage de la température du

four.

CONDENSATION

Il est normal qu'une certaine quantité d'humidité

s'évapore des aliments lors de tout processus de

cuisson. Sa quantité dépend de la teneur en eau

des aliments. L'humidité se condensera sur les

surfaces plus froides que l'intérieur du four, par

exemple le panneau de commande.

Four

Une feuille peut être utilisée pour couvrir les

aliments dans le four, mais celle-ci ne doit pas

se situer à proximité immédiate des éléments du

four. Ne pas utiliser de feuilles d'aluminium pour

recouvrir la cavité du four ou un récipient placé

sur le grill. Les surfaces émaillées pourraient

surchauffer, se déformer et se craqueler.

Cuisson par convection

Chaleur produite par le brûleur du four et mouvement

de convection de l'air provoqué par le ventilateur.

Le mode de cuisson par convection présente

plusieurs avantages. Dans le système à

convection, deux ventilateurs à l'arrière du four

brassent l'air chaud dans la cavité, éliminant les

zones trop chaudes ou trop froides et veillent à

ce que la température soit uniforme. Il est ainsi

possible de cuire plusieurs plats à la fois sur

différents niveaux, sans avoir à intervertir les

plats. Avec le mode de cuisson par convection,

utiliser un plat à four peu profond pour rendre la

température plus uniforme.

Les aliments cuits sans être couverts se coloreront

uniformément et formeront une jolie croûte. Les

aliments placés dans un plat à four couvert ou les

flans ne bénéficieraient pas des avantages du mode

de cuisson par convection.

Préchauffer le four avec le mode de cuisson

traditionnel puis tourner le bouton de réglage sur

la position « CONVECTION » avant d'introduire

les aliments dans le four.

- Une seule grille : utiliser le même niveau que

- celui du mode de cuisson traditionnel.

- 2 plaques : utiliser les niveaux 3 et 5.

- 3 plaques : utiliser les niveaux 2, 4 et 6.

Grill

Chaleur infrarouge du brûleur du GRILL en haut

de la cavité du four.

Utiliser ce réglage pour griller les viandes brunes

inférieures ou égales à 1" d'épaisseur au stade

saignant ou à point.

Avant d'allumer le four, placer la grille sur le niveau

souhaité. Une fois le grill préchauffé, centrer la

lèchefrite sous le grill.

Préchauffage du grill

Il est recommandé de préchauffer le grill avant

de commencer la cuisson. Préchauffer pendant 5

minutes avant d'introduire les aliments dans le four.

- Ouvrir la porte du four, avec le bouton du

- thermostat du four/grill positionné sur OFF.

- Appuyer sur le bouton du thermostat pendant 1

- seconde environ et le relâcher immédiatement.

- Le mettre sur « GRILL » ; si le grill ne s'allume

- pas, tourner à nouveau le bouton du thermostat

- sur OFF et attendre 1 minute avant de répéter

- la séquence.

- La mise en marche du grill à gaz est indiquée

- par la lumière dans la cavité.

- Avant de refermer la porte du four, contrôler

- visuellement que la flamme est allumée.

Avertissement !

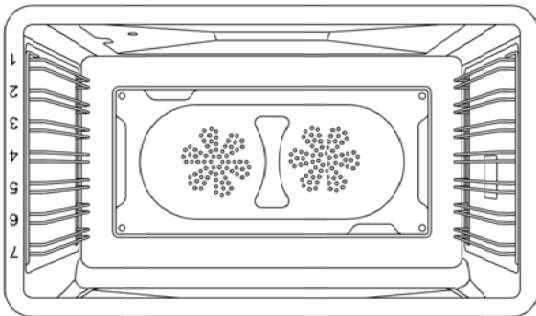
Ne pas utiliser le four à gaz en cas de coupure d'électricité. En cas de coupure d'électricité, mettre les boutons de réglage du four/grill sur OFF. Les brûleurs du four/grill ne peuvent pas fonctionner tant que l'alimentation électrique n'a pas été rétablie.

Si la flamme du brûleur du four s'éteint accidentellement pendant le fonctionnement, mettre le bouton de contrôle de la température sur OFF en le tournant dans le sens anti-horaire. Attendre au moins 60 secondes avant de rallumer le four.

ATTENTION ! Lors de la première utilisation du four, celui-ci doit être mis en marche pendant 15-30 minutes à une température d'environ 500°F/260 °C sans rien cuire à l'intérieur, afin d'éliminer les éventuelles moisissures et odeurs d'isolation interne.

POSITION DES PLAQUES

Les plaques sont montées sur les guides correspondants situés sur les côtés du compartiment du four. Insérer la plaque entre le guide supérieur et inférieur, dans l'une des 7 positions indiquées.

**VENTILATEUR DE REFRROIDISSEMENT**

Fonctionnement automatique du ventilateur de refroidissement. La cuisinière est équipée d'un ventilateur de refroidissement contrôlé par thermostat pour éviter que le panneau de commande et les boutons ne surchauffent. Le ventilateur de refroidissement se met en marche lorsque la température du four s'élève. Il s'éteindra dès que la température se sera abaissée. **REMARQUE :** Il est normal pendant la ventilation et lorsque le four est allumé que de l'air chaud soit expulsé dans la pièce.

DISPOSITIF DE SÉCURITÉ D'ARRÊT DU GAZ - THERMOCOUPLE

Un dispositif d'arrêt du gaz (thermocouple) sur chaque brûleur fait office de sécurité au cas où la flamme s'éteindrait accidentellement. Le thermocouple détecte l'absence de flamme et coupe l'alimentation en gaz. Le thermocouple doit être chauffé pendant

PRÉCHAUFFAGE DU FOUR

quelques secondes lorsque le brûleur est allumé, avant que le bouton ne soit relâché.

Le plus souvent, les temps de cuisson indiqués dans les recettes sont donnés pour un four préchauffé et nécessitent que le four soit déjà à la température requise avant d'y introduire les aliments. Le temps de préchauffage dépend du réglage de la température et du nombre de grilles présentes dans le four.

MODES DE CUISSON AU FOUR

Le four est équipé de plusieurs éléments, utilisés seuls ou en combinaison pour créer différents modes de cuisson :

- Brûleur four
- Brûleur grill
- Ventilateur four

Le réglage de la température et les temps de cuisson peuvent varier légèrement d'un four à un autre. Il est possible que les recettes et les temps de cuisson doivent être ajustés en conséquence.

Cuisson au four

Chaleur produite par le brûleur du four uniquement.

Utiliser cette fonction pour les cuissons au

four, les rôtis et les ragouts.

● Ouvrir la porte du four, avec le bouton du thermostat du four/grill positionné sur OFF.

● Appuyer sur le bouton du thermostat pendant 1 seconde environ et le relâcher immédiatement.

● Le tourner sur la température souhaitée ; si le brûleur ne s'allume pas, tourner à nouveau le bouton du thermostat sur OFF et attendre 1 minute avant de répéter la séquence.

● La mise en marche du four à gaz est indiquée par la lumière dans la cavité.

● Avant de refermer la porte du four, contrôler visuellement que la flamme est allumée et visible à travers le hublot du panneau inférieur du compartiment du four. Si aucune flamme n'est visible, répéter la procédure.

● Après avoir allumé le brûleur et défini la température souhaitée, attendre que le thermomètre indique que la température définie a été atteinte avant d'introduire les aliments dans le four.

Le mode « BAKE » (cuisson au four standard) est optimal sur un niveau :

- Cuisson au four standard : niveau 3 ou 4
- Cuisson d'aliments hauts : niveau 3
- Tartes : niveau 2 ou 3
- Grosses pièces de viande ou volaille : niveau 2

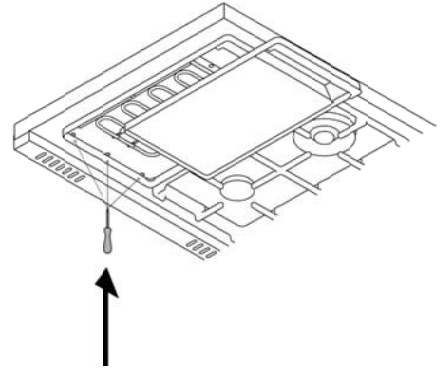
GRILL ÉLECTRIQUE

Uniquement disponible en modèle de 48"

Le grill électrique en acier inoxydable est fabriqué avec de l'acier inoxydable 3/16 pouces, idéal pour une rétention maximale de la chaleur. Procéder avec la plus grande prudence lors de l'utilisation du grill afin d'éviter tout risque de brûlure !

RÉGLAGE DU GRILL

- Vérifier le réglage de la plaque du grill en versant deux cuillères à soupe d'eau sur le dos de la plaque. L'eau doit s'écouler lentement dans le bac à graisses.
- Incliner la plaque du grill sur le côté (image 23).
- Régler les deux vis sur le dessous de la plaque. Commencer par tourner les vis d'un demi-tour dans le sens anti-horaire. Les réglages peuvent être affinis à hauteur d'un quart de tour après l'autre lorsque l'eau s'écoule dans le bac à graisses.



PRÉPARATION DU GRILL

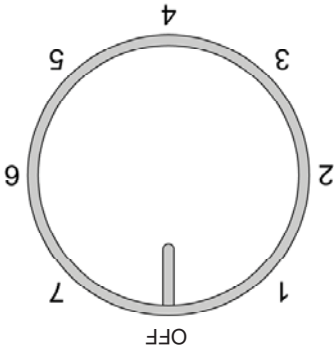
Le grill en acier inoxydable doit être préparé avant d'être utilisé pour la première fois. Nous recommandons de commencer cette opération après une période d'inutilisation prolongée.

- Nettoyer le grill minutieusement à l'aide d'une solution d'eau chaude savonneuse, afin d'éliminer toute pellicule protectrice.
- Rincer avec un mélange d'1/4 de gallon (1 litre) d'eau et 1 tasse de vinaigre blanc, et sécher soigneusement.
- Verser 1 cuillère à soupe d'huile végétale au centre du grill. À l'aide d'un linge épais, répartir

TEMPÉRATURES DE GRILL RECOMMANDÉES

Aliments	Position du bouton	Réglage
Eufs	3	300°F à 320°F (150° C à 160° C)
Bacon : saucisse à déjeuner	3-4	350°F à 375°F (177° C à 190° C)
Sandwiches grillés	3	320°F à 350°F (160° C à 177° C)
Blancs de poulet	3-4	350°F à 375°F (177° C à 190° C)
Côtelettes de porc désossées (épaisseur de 15 mm)	3-4	350°F à 375°F (177° C à 190° C)
Tranches de jambon (épaisseur de 15 mm)	3-4	350°F à 375°F (177° C à 190° C)
Pancakes ; pain perdu	3-4	350°F à 375°F (177° C à 190° C)
Pommes de terre : galettes de pommes de terre	4-5	375°F à 400°F (190° C à 205° C)

Préchauffer à température maximale pendant 15 minutes, puis placer les aliments sur le grill et cuire à la température souhaitée.



Il est possible d'utiliser le grill électrique sans ajouter de beurre, de margarine ou d'huile. Cependant, il est préférable d'en ajouter ne serait-ce qu'en petite quantité pour donner plus de goût aux aliments.

NE PAS utiliser d'ustensiles en métal sur la surface du grill. Veiller à ne pas rayer ou entailler la surface avec des ustensiles.

NE PAS utiliser de couteaux pour couper directement sur la plaque du grill.

UTILISATION DU GRILL ÉLECTRIQUE

- Tourner le bouton de réglage sur la position maximum.
- Éteindre le grill dès que l'huile commence à fumer. Laisser le grill refroidir.
- Répéter l'étape 3 en appliquant de l'huile sur toute la surface. Éteindre le grill et le laisser refroidir.
- Frotter toute la surface du grill à l'aide d'un linge épais.
- Appliquer une très fine couche d'huile végétale. Le grill est désormais prêt à être utilisé.

Brûleur	Diam. int. (mm)	Diam. récipient de cuisson	Utilisation
Auxiliaire	Ø 2"	Ø 3"1/2- 5"1/2 (90-140 mm)	A utiliser avec des récipients de cuisson plus petits pour faire cuire à l'eau ou mijoter et pour la préparation de sauces.
Semi-rapide	Ø 2"3/4 (70 mm)	Ø 5"1/2-10"1/4 (140-260 mm)	A utiliser avec des récipients de cuisson de moyenne et petite taille pour des fritures normales ou des cuissons à l'eau.
Rapide	Ø 3"3/4 (95 mm)	Ø 7"1/8-10"1/4 (180-260 mm)	A utiliser avec des récipients de moyenne et grande taille pour frire ou obtenir une ébullition rapide.
Double interne/externe	Ø 1"11/16-5"1/2 (43-140 mm)	Ø 8"2/3-10"1/4 (220-260 mm)	A utiliser avec des woks, des grills et des poêles à frire, ou avec des récipients de cuisson de grande taille pour obtenir une ébullition rapide.

DIMENSIONS DES BRÛLEURS À GAZ ET TAILLE RECOMMANDÉE DES RÉCIPENTS DE CUISSON

REMARQUE : En cas de coupure d'électricité, les brûleurs peuvent être allumés avec une allumette ou un allume-gaz. Les dispositifs de contrôle de flamme continueront à fonctionner normalement.

Le diffuseur mijoteur doit être utilisé avec des récipients de cuisson d'un diamètre inférieur à 4 pouces. doit être acheté séparément.

Pour une cuisson à feu très doux, un diffuseur mijoteur émaillé peut être utilisé. Pour certains modèles, le diffuseur mijoteur en fonte émaillée doit être acheté séparément.

Diffuseur mijoteur

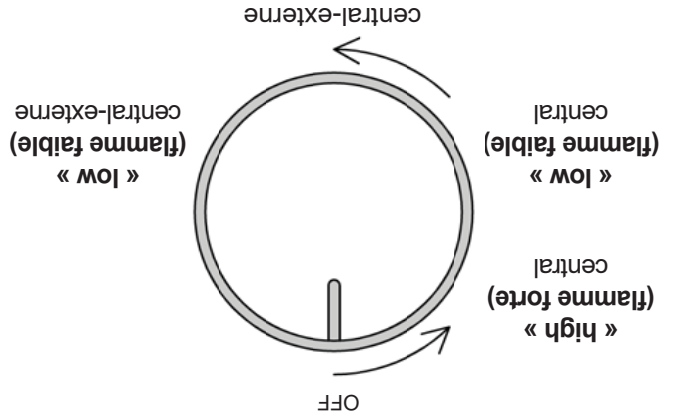
Les woks à fond plat ou rond, avec un anneau de support, peuvent être utilisés sur tous les modèles. Les woks à fond rond doivent être utilisés avec un anneau de support. Pour certains modèles, l'anneau de support du wok en fonte émaillée doit être acheté séparément.

USTENSILES SPÉCIAUX

Woks

Un dispositif d'arrêt du gaz (thermocouple) sur chaque brûleur fait office de sécurité au cas où la flamme s'éteindrait accidentellement. Le thermocouple détecte l'absence de flamme et coupe l'alimentation en gaz. Le thermocouple doit être chauffé pendant quelques secondes lorsque le brûleur est allumé, avant que le bouton ne soit relâché.

DISPOSITIF DE SÉCURITÉ D'ARRÊT DU GAZ - THERMOCOUPLE



Pour allumer le brûleur central, appuyer sur le bouton de réglage et le mettre sur la position de flamme « HIGH » (forte) de l'anneau simple en le tournant dans le sens anti-horaire. Maintenir le bouton enfoncé pendant 5 à 10 secondes après l'allumage du brûleur puis le relâcher.

comme brûleur à forte puissance si le brûleur externe est également allumé. Pour plus de polyvalence, le double brûleur à forte puissance peut être utilisé comme simple brûleur mijoteur si seul le brûleur central est allumé ou pour allumer le brûleur central, appuyer sur le bouton de réglage et le mettre sur la position de flamme « HIGH » (forte) de l'anneau simple en le tournant dans le sens anti-horaire.

Pour plus de polyvalence, le double brûleur à forte puissance peut être utilisé comme simple brûleur mijoteur si seul le brûleur central est allumé ou comme brûleur à forte puissance si le brûleur externe est également allumé.

UTILISATION DU BRÛLEUR À FORTE PUISSANCE

La hauteur correcte de la flamme dépend :

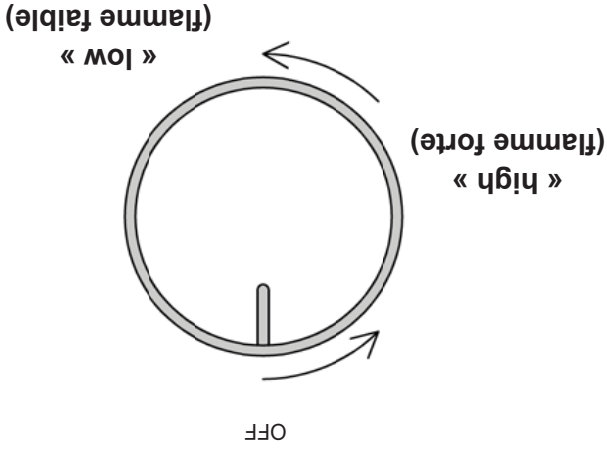
- de la taille et du matériau du récipient de cuisson utilisé.
- des aliments cuisinés.
- du volume de liquide dans le récipient de cuisson.

Ne jamais faire dépasser la flamme du fond du récipient de cuisson. Utiliser une flamme petite ou moyenne pour les récipients de cuisson faits dans un matériau qui conduit la chaleur lentement, comme l'acier à revêtement céramique ou la vitrocéramique.

Les bords de la flamme étant beaucoup plus chauds que le centre, les pointes de la flamme ne doivent pas dépasser du fond du récipient de cuisson. Les pointes de flamme qui dépassent du fond du récipient de cuisson émettent une chaleur superflue dans la pièce et peuvent abîmer les poignées du récipient et accroître le risque de blessure.

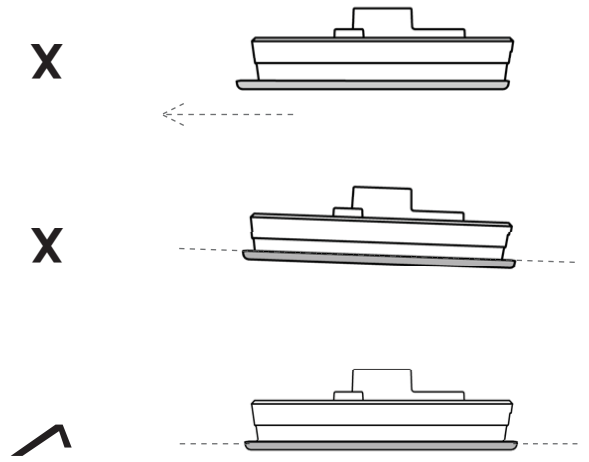
UTILISATION DES BRÛLEURS À GAZ

- Appuyer sur le bouton de réglage et le mettre sur la position « HIGH » (flamme forte) en le tournant dans le sens anti-horaire.
- Maintenir le bouton enfoncé pendant 5 à 10 secondes après l'allumage du brûleur, puis le relâcher.
- Avec le bouton, régler la flamme selon les nécessités.



CHAPEAUX ET GRILLES DES BRÛLEURS

Les brûleurs et les chapeaux des brûleurs doivent être correctement positionnés afin d'assurer le bon fonctionnement de la surface de cuisson.



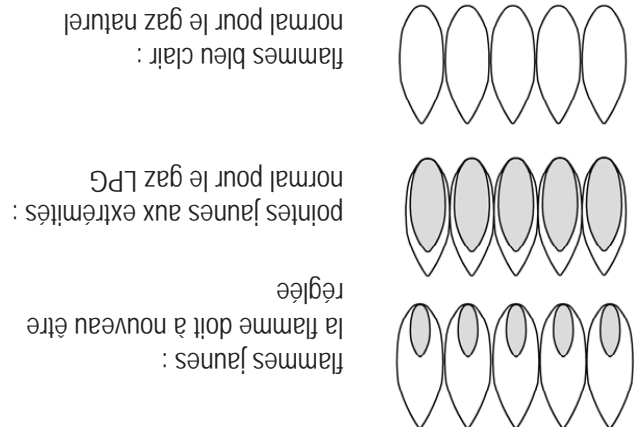
Les grilles des brûleurs doivent être correctement positionnées dans les renfoncements de la surface de cuisson.

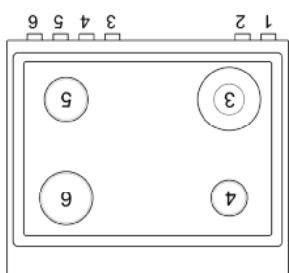
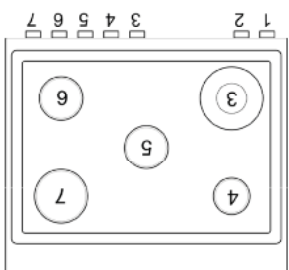
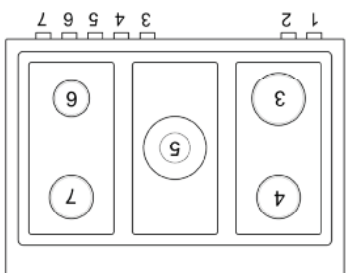
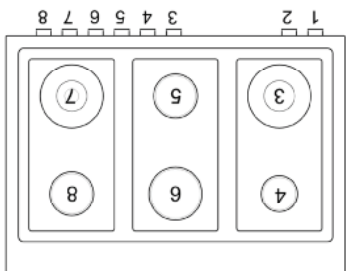
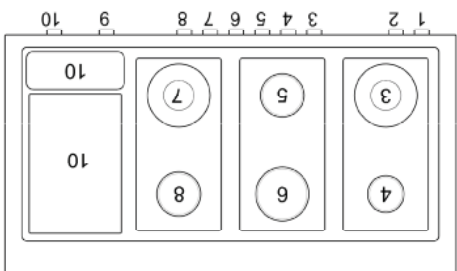
FLAMME

CONTRÔLE DE LA COMBUSTION DE LA

La flamme doit être stable, sans bruit ni oscillation excessive. Elle doit être bleue, sans coloration jaune aux extrémités. Il n'est pas rare de voir de l'orange sur la flamme. Cela indique la combustion d'impuretés en suspension dans le gaz et disparaîtra pendant l'utilisation.

- Avec du gaz propane (LPG), il est normal de voir de petites pointes jaunes sur les premières flammes.
- La combustion de la flamme doit être complète autour du chapeau du brûleur. Dans le cas contraire, vérifier que le chapeau est correctement positionné sur son support et que les orifices ne sont pas obstrués.





SURFACE DE CUISSON ET BOUTONS

/ Surface de cuisson et boutons

- | | |
|----|---------------------------------|
| 10 | Grill électrique |
| 9 | Thermostat four auxiliaire |
| 8 | Brûleur arrière droit |
| 7 | Brûleur avant droit |
| 6 | Brûleur central arrière |
| 5 | Brûleur central avant |
| 4 | Brûleur arrière gauche |
| 3 | Brûleur avant gauche |
| 2 | Thermostat four |
| 1 | Sélecteur des fonctions du four |

Élément chauffant

- | | |
|---|-------------------------|
| 8 | Brûleur arrière droit |
| 7 | Brûleur avant droit |
| 6 | Brûleur central arrière |
| 5 | Brûleur central avant |
| 4 | Brûleur arrière gauche |
| 3 | Brûleur avant gauche |
| 2 | Brûleur arrière gauche |
| 1 | Brûleur avant gauche |

Élément chauffant

- | | |
|---|---------------------------------|
| 7 | Brûleur arrière droit |
| 6 | Brûleur avant droit |
| 5 | Brûleur central |
| 4 | Brûleur arrière gauche |
| 3 | Brûleur avant gauche |
| 2 | Thermostat four |
| 1 | Sélecteur des fonctions du four |

Élément chauffant

- | | |
|---|---------------------------------|
| 7 | Brûleur arrière droit |
| 6 | Brûleur avant droit |
| 5 | Brûleur central |
| 4 | Brûleur arrière gauche |
| 3 | Brûleur avant gauche |
| 2 | Thermostat four |
| 1 | Sélecteur des fonctions du four |

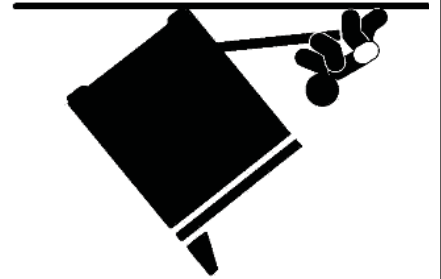
Élément chauffant

- | | |
|---|---------------------------------|
| 6 | Brûleur arrière droit |
| 5 | Brûleur avant droit |
| 4 | Brûleur arrière gauche |
| 3 | Brûleur avant gauche |
| 2 | Thermostat four |
| 1 | Sélecteur des fonctions du four |

Élément chauffant

Avertissement – risque de basculement

Les enfants et les adultes peuvent faire basculer la cuisinière si celle-ci n'a pas été fixée au mur, ce qui pourrait entraîner des blessures mortelles.



Pour réduire le risque de basculement de l'appareil, celui-ci doit être fixé au moyen de dispositifs anti-basculement, conformément aux instructions d'installation. Remettre en place les dispositifs anti-basculement après tout déplacement de la cuisinière.

Ne pas utiliser la cuisinière si les dispositifs anti-basculement ne sont pas en place et enclenchés. Ne pas utiliser la cuisinière si les dispositifs anti-basculement n'ont pas été correctement installés et enclenchés. Pour plus d'informations, consulter les instructions d'installation.

Le non-respect des instructions d'installation peut occasionner des blessures graves, voire mortelles, aux enfants et aux adultes.

Surfaces de cuisson à induction

- Les surfaces supérieures ou adjacentes à la cuisinière pourraient être suffisamment chaudes et causer des brûlures. Ne pas toucher la surface de cuisson tant que le voyant indiquant une chaleur résiduelle sur la surface vitrocéramique est allumé. Cela indique que la température dans la zone correspondante est encore élevée.
- NE PAS CUISINER SUR UNE SURFACE DE CUISSON CASSÉE – En cas de rupture de la surface de cuisson, des solutions nettoyantes et des projections peuvent pénétrer dans la zone abîmée et générer un risque de décharge électrique. Contacter sans attendre un technicien qualifié.
- Surveiller attentivement les enfants, qui pourraient ne pas voir les voyants indiquant une chaleur résiduelle. Même éteintes, les surfaces de cuisson restent chaudes pendant quelques temps après l'utilisation. S'assurer que les enfants ne puissent pas les toucher.
- Ne JAMAIS utiliser de feuilles d'aluminium pour contenir la nourriture cuisinée sur une surface de cuisson vitrocéramique.
- Ne jamais poser de récipients de cuisson aux fonds irréguliers ou abîmés sur la surface de cuisson. En cas de chute d'un récipient lourd sur la surface de cuisson, celle-ci ne se cassera pas. En revanche, si un objet dur tel que la saleté ou un bocal à épices percute le bord ou l'angle de la surface de cuisson, la surface de cuisson pourrait se casser.
- Ne jamais utiliser la surface de cuisson vitrocéramique comme support.
- Utiliser uniquement des produits de nettoyage fabriqués spécialement pour des surfaces de cuisson vitrocéramiques.
- Les objets métalliques, tels que des couverts ou des couvercles, ne doivent jamais être posés sur la surface de cuisson car ils pourraient devenir brûlants.

Éléments chauffants du four

- Ne JAMAIS toucher les zones proches des brûleurs du four et du grill ou les surfaces intérieures du four et du grill peuvent être chauds même s'ils sont noirs. Les zones à proximité des brûleurs et les surfaces intérieures du four peuvent devenir très chaudes et causer des brûlures.
- Pendant et après l'utilisation, NE PAS toucher ou laisser de vêtements ou tout autre matériau inflammable entrer en contact avec des éléments chauffants, avec les zones près de ces éléments ou avec des surfaces intérieures du four tant qu'ils n'ont pas suffisamment refroidi. D'autres surfaces du four peuvent devenir très chaudes et causer des brûlures, comme les orifices de ventilation du four, la surface près de ces orifices et la fenêtre de la porte du four.

Sécurité lors du nettoyage

- Éteindre l'appareil et attendre que toutes ses parties aient refroidi avant de les toucher ou de les nettoyer. NE PAS toucher les grilles des brûleurs ou les zones adjacentes avant qu'elles n'aient suffisamment refroidi.
 - La cuisinière doit être nettoyée avec précaution. Pour éviter les brûlures dues à la vapeur, NE PAS utiliser d'éponge ou de linges humides pour nettoyer la cuisinière tant qu'elle est chaude. Certains produits nettoyants génèrent des fumées nocives en cas de contact avec une surface chaude. Suivre les consignes données par le fabricant du produit nettoyant.
 - NE PAS nettoyer, frotter, abîmer, déplacer ou retirer le joint de la porte. Il est essentiel afin de garantir une fermeture hermétique lors de l'utilisation du four. Si le joint est usé ou excessivement sali par des particules alimentaires, il doit être remplacé afin de garantir une bonne étanchéité.
- ## Précautions à prendre en cas de coupure d'électricité
- Pour des raisons de sécurité liées au risque de blessure en cas de tentative d'allumage et d'extinction des brûleurs du four, le grill et le brûleur du four ne doivent pas être utilisés en cas de coupure d'électricité. Le bouton de réglage du four doit toujours rester sur « OFF » pendant une coupure d'électricité.
- Ne JAMAIS se servir de la cuisinière comme appareil de chauffage, pour éviter tout danger potentiel pour l'utilisateur et tout dommage à la cuisinière. NE PAS utiliser le dessus de la cuisinière ou le four comme espace de stockage pour de la nourriture ou des ustensiles de cuisine.
- ## Risque de décharge électrique !
- S'assurer que tous les boutons de réglage sont sur « OFF » et que le four est FROID avant le nettoyage. Le non-respect de cette consigne peut entraîner des brûlures ou une décharge électrique. NE PAS toucher l'ampoule électrique du four chaud avec un linges humide, cela pourrait la faire éclater. Si l'ampoule venait à se casser, débrancher l'alimentation électrique de la cuisinière avant de retirer l'ampoule afin d'éviter toute décharge électrique.
- ## Risque de brûlure
- La porte du four, en particulier la vitre, peut devenir très chaude. NE PAS toucher la vitre de la porte du four !

- S'enflammer et entraîner des brûlures. TOUJOURS mettre en place les grilles du four aux niveaux souhaités pendant que le four est froid. Utiliser des maniques sèches et résistantes pour manipuler les grilles du four ou pour introduire ou retirer les aliments à cuire. TOUJOURS éviter d'introduire les mains dans le four pour ajouter ou retirer des aliments. Si une grille doit être manipulée alors qu'elle est chaude, utiliser une manique sèche.
- TOUJOURS éteindre le four une fois la cuisson terminée.
- Manipuler la porte du four avec précaution. Laisser l'air chaud ou la vapeur sortir avant d'introduire ou de retirer des aliments.
- NE PAS cuire directement sur le fond de four. Cela pourrait endommager la cuisinière. Toujours utiliser les grilles en cas de cuisson au four.
- Ne pas brancher d'appareils aux prises situées au-dessus ou à proximité de la surface de cuisson à induction. L'isolation du cordon d'alimentation pourrait fondre en cas de contact avec la chaleur et entraîner des blessures et des dommages matériels.
- **Ustensiles recommandés**
- Utiliser des récipients de cuisson à fond plat, dotés de poignées faciles à manipuler et non conductrices de chaleur. Éviter d'utiliser des récipients de cuisson instables, gauchis, avec des poignées desserrées ou se renversant facilement. Éviter également d'utiliser des récipients de cuisson, notamment de petite taille, avec des poignées lourdes, car ils pourraient être instables et se renverser facilement. Les récipients de cuisson sont très lourds une fois remplis et peuvent être dangereux.
- S'assurer que l'ustensile utilisé est assez grand pour contenir toute la nourriture sans déborder. La taille du récipient de cuisson est fondamentale en cas de friture. S'assurer que le récipient de cuisson sera adapté au volume de nourriture prévu ainsi qu'au bouillonnement produit par la matière grasse.
- Pour réduire le risque de brûlures, d'inflammation de matériaux inflammables et de déversement lié à un contact involontaire avec l'ustensile, NE PAS placer les poignées au-dessus des brûleurs adjacents. TOUJOURS tourner les poignées du récipient de cuisson vers le côté ou l'arrière de la cuisinière et non pas vers la pièce, où elles pourraient être facilement touchées ou saisies par de jeunes enfants.
- Ne JAMAIS laisser un récipient de cuisson chauffer à sec ; cela pourrait abîmer l'ustensile et la cuisinière.
- Suivre les consignes du fabricant en cas d'utilisation de sacs de cuisson.
- Seuls certains types d'ustensiles en verre, vitrocéramique, céramique ou matériau émaillé sont adaptés à une utilisation sur les brûleurs de surface ou dans le four, sans risque de rupture due à un choc thermique. Suivre les instructions du fabricant en cas d'utilisation de verre.

- Une fois la cuisinière installée conformément aux instructions d'installation, il est important de veiller à ce que l'arrivée d'air ne soit pas obstruée. L'utilisation d'un appareil de cuisson à gaz génère de la chaleur et de l'humidité dans la pièce où il est installé.
- S'assurer que la cuisine est correctement ventilée. Veiller à ce que les orifices de ventilation naturels restent ouverts ou installer une ventilation mécanique. L'utilisation prolongée ou intensive de la cuisinière peut nécessiter une ventilation supplémentaire (par ex. l'ouverture d'une fenêtre) ou plus efficace (par ex. une ventilation mécanique de capacité supérieure).
- Ne JAMAIS utiliser de feuilles d'aluminium pour couvrir les grilles ou le fond de four. Cela pourrait entraîner un risque de décharge électrique, d'incendie ou de dommage à la cuisinière. Les feuilles d'aluminium doivent être utilisées conformément aux consignes données dans ce manuel.
- Pour éliminer tout risque lié aux brûleurs de surface chauds, ne pas positionner de placards directement au-dessus de la cuisinière. La température pourrait se révéler dangereuse pour certains éléments, par exemple des liquides volatils, des produits nettoyants ou des bombes aérosols.
- TOUJOURS placer un récipient de cuisson sur un brûleur de surface avant de l'allumer. S'assurer de savoir à quel bouton correspond chaque brûleur de surface. S'assurer que le brûleur correct est allumé. Une fois la cuisson terminée, éteindre le brûleur avant de retirer le récipient de cuisson pour éviter de s'exposer à une flamme.
- Veiller à TOUJOURS régler la flamme du brûleur de sorte qu'elle ne dépasse pas du fond du récipient de cuisson. Une flamme excessive est dangereuse, gaspille de l'énergie et peut endommager la cuisinière, le récipient de cuisson ou les placards situés au-dessus de la cuisinière. Ces consignes sont données à des fins de sécurité.
- Ne JAMAIS laisser une opération de cuisson en surface sans surveillance, notamment en cas de cuisson à haute température ou de friture. Les températures excessives génèrent des fumées et des projections grasses peuvent s'enflammer. Nettoyer les projections de grasse dès que possible. NE PAS cuire à haute température pendant de longs moments. NE PAS faire chauffer de contenants alimentaires fermés. L'accumulation de pression peut faire exploser le contenant et engendrer des blessures.
- TOUJOURS laisser refroidir les substances grasses utilisées pour la friture avant de les déplacer ou de les manipuler.
- Ne JAMAIS porter de vêtements réalisés dans des matières inflammables, non attachés ou à manches longues pendant une cuisson. Les vêtements peuvent s'enflammer ou s'accrocher aux poignées d'un ustensile. NE PAS positionner de serviettes ou autres éléments sur les poignées de la porte du four. Ceux-ci pourraient

Les avertissements et les consignes de sécurité contenus dans ce manuel ne couvrent pas toutes les situations et conditions susceptibles de survenir. Procéder avec bon sens et attention et avec le plus grand soin lors de l'installation, de l'entretien ou de l'utilisation de l'appareil.

Les instructions doivent avoir été lues et comprises avant toute utilisation de l'appareil, afin d'éviter les risques potentiels d'incendie, de décharge électrique, de blessures ou de dommages à l'appareil résultant d'une utilisation inappropriée. L'appareil doit uniquement être utilisé aux fins prévues et décrites dans ce manuel.

Ranger soigneusement ce manuel pour toute consultation future par l'inspecteur électrique local. Après avoir lu ces instructions, les ranger soigneusement en vue d'une future consultation. Respecter les réglementations, normes et lois en vigueur.

Avertissement !

Pour éviter les risques de lésion, de blessure mortelle ou de dommages aux biens, suivre scrupuleusement les informations contenues dans ce manuel visant à prévenir les incendies ou les explosions. NE PAS entreposer ou utiliser de l'essence ou d'autres liquides et vapeurs inflammables à proximité de l'appareil.

Que faire en cas d'odeur de gaz :

N'allumer aucun appareil. Ne toucher aucun interrupteur électrique. N'utiliser aucun téléphone dans l'habitation. Appeler immédiatement le fournisseur de gaz depuis le téléphone d'un voisin. Suivre les instructions du fournisseur de gaz. S'il n'est pas possible de joindre le fournisseur de gaz, appeler le service des pompiers.

Massachussets :

REMARQUE : L'installation et l'entretien doivent être réalisés par un installateur qualifié, une agence spécialisée ou un fournisseur de gaz.

Tout appareil au gaz doit être installé par un plombier ou un installateur de gaz agréé par l'état. Une vanne manuelle de gaz à poignée de type « T » doit être installée sur la conduite d'alimentation en gaz de l'appareil.

Pour un fonctionnement correct et en toute sécurité : l'appareil doit être correctement installé et mis à la terre par un technicien qualifié. NE PAS tenter de régler, réparer, réviser ou remplacer un composant de l'appareil à moins que le présent manuel ne le recommande spécifiquement.

Toute autre intervention doit être réalisée par un opérateur qualifié. L'installateur montrera l'emplacement de la vanne de fermeture du gaz et les modalités d'arrêt en cas d'urgence.

Un technicien certifié devra intervenir pour tout réglage ou conversion aux gaz naturel ou LPG.

Pour prévenir les incendies ou les dommages liés à la fumée :

- S'assurer que tous les matériaux d'emballage ont été retirés de la cuisinière avant son utilisation.
- Ne jamais laisser de vêtements, de maniques ou d'autres matériaux inflammables entrer en contact avec un élément, brûleur de surface ou grille de brûleur, tant qu'il n'a pas refroidi, ou à proximité immédiate de ce type d'élément.
- Si la cuisinière est installée près d'une fenêtre, prendre les précautions adaptées pour empêcher les rideaux de passer au-dessus des brûleurs.
- Ne jamais laisser d'objets sur la surface de cuisson. L'air chaud sortant de l'orifice de ventilation peut enflammer des objets inflammables ou augmenter la pression dans des conteneurs fermés et les faire exploser.
- Un grand nombre de bombes aérosol sont hautement inflammables et peuvent EXPLOSER en cas d'exposition à la chaleur. Éviter de les entreposer ou de les utiliser près de la cuisinière.

En cas d'incendie

Eteindre la cuisinière et la hotte d'extraction pour empêcher la diffusion des flammes. Eteindre les flammes puis rallumer la hotte pour éliminer la fumée et les odeurs.

- Surface de cuisson : Pour étouffer un feu ou des flammes dans une casserole, utiliser un couvercle ou une plaque à pâtisserie.
- Ne JAMAIS se saisir ou déplacer une casserole enflammée.
- Four : Pour étouffer un feu ou des flammes, fermer la porte du four. NE PAS utiliser d'eau sur des graisses enflammées. Utiliser du bicarbonate de soude, un extincteur à poudre chimique ou à mousse pour éteindre un feu ou des flammes ou, le cas échéant, un extincteur à poudre chimique ou à mousse multi-usage.

Sécurité des enfants

- Ne JAMAIS laisser d'enfants seuls ou sans surveillance près de la cuisinière lorsque celle-ci est en fonctionnement ou encore chaude.
- Ne JAMAIS laisser d'enfants s'asseoir ou marcher sur des éléments de la cuisinière, car ils pourraient être blessés ou brûlés.
- NE PAS placer d'objets susceptibles d'intéresser les enfants sur la cuisinière. Ils pourraient être gravement blessés en tentant de grimper pour atteindre ces objets.

TABLE DES MATIÈRES

4	AVERTISSEMENTS
8	SURFACE DE CUISSON ET BOUTONS
9	SURFACE DE CUISSON AU GAZ
9	Chapeaux et grilles des brûleurs
9	Contrôle de la combustion de la flamme
9	Utilisation des brûleurs à gaz
10	Utilisation du brûleur à forte puissance
10	Dispositif de sécurité d'arrêt du gaz – thermocouple
10	Ustensiles spéciaux
10	Dimensions des brûleurs à gaz et taille recommandée des récipients de cuisson
11	GRILL ÉLECTRIQUE
11	Réglage du grill
11	Préparation du grill
11	Utilisation du grill électrique
11	Températures de grill recommandées
12	FOUR À GAZ PRINCIPAL
12	Position des plaques
12	Ventilateur de refroidissement
12	Dispositif de sécurité d'arrêt du gaz – thermocouple
12	Préchauffage du four
12	Modes de cuisson au four
13	Fonctions spéciales
13	Condensation
14	Obtenir les meilleurs résultats
14	Recommandations pour la cuisson
14	Recommandations pour la cuisson au grill
15	Résolution des problèmes les plus fréquents en cas de cuisson au four
16	Indicateur de température du four
16	Guides télescopiques
17	FOUR À GAZ AUXILIAIRE
17	Position des plaques
17	Ventilateur de refroidissement
17	Dispositif de sécurité d'arrêt du gaz – thermocouple
17	Préchauffage du four
18	NETTOYAGE DE VOTRE CUISINIÈRE BERTAZZONI
19	ENTRETIEN COURANT
19	Remplacement des ampoules du four
20	Nettoyage de l'intérieur de la porte vitrée
21	RÉSOLUTION DES PROBLÈMES
22	GARANTIE LIMITÉE DE DEUX ANS



Nous vous souhaitons de profiter pleinement de toutes ses possibilités !

Grâce à ce manuel, vous apprendrez à utiliser la cuisinière de façon sûre et efficace et à l'entretenir correctement, pour qu'elle vous apporte la plus grande satisfaction lors des années à venir.

cuisinière Bertazzoni.

Nos appareils sont conçus selon les standards de sécurité et de performance les plus rigoureux qui soient sur le marché européen et nord-américain. Nous utilisons les techniques de fabrication les plus modernes. Chaque appareil quitte l'usine après une inspection et un contrôle qualité minutieux. Nos distributeurs et nos partenaires se tiennent à votre disposition pour répondre à toute question concernant l'installation, l'utilisation et l'entretien de votre

Nous espérons que vous aurez le même plaisir à utiliser cette cuisinière que nous en avons eu à la fabriquer. Notre famille fabrique des appareils de cuisson depuis 1882. Chacun de nos produits est synonyme de technologie de pointe et de design italien. Nous ne pouvons pas nous substituer à votre talent unique dans la préparation de délicieuses recettes pour votre famille, vos amis et vous-mêmes, mais nous faisons de notre mieux pour rendre la cuisine plus facile, plus efficace et encore plus plaisante. Notre intention est également de faire en sorte que votre cuisine soit la plus belle possible.

Cher nouveau propriétaire d'un produit Bertazzoni,
Je souhaite vous remercier d'avoir choisi l'un de nos magnifiques appareils pour votre habitation. Nous savons que le choix est vaste en raison des nombreux produits et marques disponibles, et sommes très heureux que vous ayez choisi l'un de nos produits.

Le mot du Président

BERTAZZONI
MANUEL D'UTILISATION
MODÈLE À GAZ



3100291