

---

**BERTAZZONI  
OWNER'S MANUAL**

---

**GAS WORKTOP  
ELECTRIC SELF CLEAN OVEN MODEL**



## From the desk of the President

Dear new owner of a Bertazzoni,  
I want to thank you for choosing one of our beautiful appliances for your home. We know that you have many brands and products to choose from, and we are thrilled that you have decided to take one of our products into your home.

We take as much pride in making our ranges as we hope you will in owning them. My family started manufacturing cooking appliances in 1882. Each of our products brings together Italian design and superior appliance technology. While we can not replace your unique talent at cooking delicious recipes for yourself, your family and your friends, we try our best to make cooking easier, more effective and more fun. And, at the same time, we strive to make your kitchen look beautiful.

Our appliances are designed according to the strictest safety and performance standard for the European and the North American market. We follow the most advanced manufacturing techniques. Each appliance leaves the factory after thorough quality inspection and testing. Our importers and our service partners are ready to answer any questions you may have regarding how to use and care for your Bertazzoni.

This manual will help you learn to use the product in the safest and most effective way and care for it so that it will give you the highest satisfaction for years to come.

Enjoy!



Pedro Bertazzoni

## TABLE OF CONTENTS

<b>WARNINGS</b>	4
<b>WORKTOP AND KNOBS LAYOUT</b>	8
<b>GAS COOKTOP</b>	9
Burners caps and grates	9
Making sure the flame is optimal	9
Using the gas burners	9
Using the power burner	10
Gas shut-off safety - thermocouple	10
Using specialty cookware	10
Gas burner dimensions and recommended pan size	10
<b>ELECTRIC GRIDDLE</b>	11
Preparing the griddle	11
Seasoning the griddle	11
Using the electric griddle	11
Recommended griddle temperatures	11
<b>MAIN ELECTRIC OVEN</b>	12
Shelves positions	12
Cooling fan	12
Preheating the oven	12
Using the oven	12
Oven cooking modes	12
Special functions	13
<b>AUXILIARY ELECTRIC OVEN</b>	14
Shelves positions	14
Cooling fan	14
Preheating the oven	14
Using the oven	14
Oven cooking modes	14
Condensation	15
Getting the best results	15
Oven cooking recommendations	15
Broiling recommendations	16
Troubleshooting common problems with oven cooking	16
Oven temperature indicator	17
Self cleaning	18
Telescopic glides	20
<b>KEEPING YOUR BERTAZZONI CLEAN</b>	21
<b>SIMPLE MAINTENANCE</b>	22
Replacing oven lights	22
Cleaning inside glass door	23
<b>TROUBLESHOOTING</b>	24
<b>TWO YEAR LIMITED WARRANTY</b>	25

## WARNINGS

Warning and Important Safety Instructions appearing in this manual are not meant to cover all possible conditions and situations that may occur. Common sense, caution, and care must be exercised when installing, maintaining, or operating the appliance.

**Read and follow all instructions before using this appliance to prevent the potential risk of fire, electric shock, personal injury or damage to the appliance as a result of improper usage of the appliance. Use appliance only for its intended purpose as described in this manual.**

Save this Manual for local electrical inspector's use. Read and save these instructions for future reference. Observe all governing codes, ordinances and regulations.

### Warning!

To avoid risk of property damage, personal injury or death; follow information in this manual exactly to prevent a fire or explosion. DO NOT store or use gasoline or other flammable vapors and liquids nearby this or any appliance.

### What to do if you smell gas:

**Do not light any appliance. Do not touch any electrical switch. Do not use any phone in your building. Immediately call your gas supplier from a neighbor's phone. Follow the gas supplier's instructions. If you cannot reach your gas supplier, call the fire department.**

NOTE: Installation and service must be performed by a qualified installer, service agency or the gas supplier.

### In Massachusetts:

All gas products must be installed by a "Massachusetts" licensed plumber or gasfitter. A "T" handle type manual gas valve must be installed in the gas line connected to this appliance.

To ensure proper and safe operation: Appliance must be properly installed and grounded by a qualified technician. DO NOT attempt to adjust, repair, service, or replace any part of your appliance unless it is specifically recommended in this manual. All other servicing should be referred to a qualified servicer. Have the installer show you the location of the gas shut-off valve and how to shut it off in an emergency.

A certified technician is required for any adjustments or conversions to Natural or LP gas.

### To Prevent Fire or Smoke Damage

- Be sure all packing materials are removed from the appliance before operating it.
- Never let clothing, potholders, or other flammable materials come in contact with or too close to any element, top burner or burner grate until it has cooled.
- If appliance is installed near a window, proper precautions should be taken to prevent curtains from blowing over burners.
- Never leave any items on the cooktop. The hot air from the vent may ignite flammable items and may increase pressure in closed containers which may cause them to burst.
- Many aerosol-type spray cans are EXPLOSIVE when exposed to heat and may be highly flammable. Avoid their use or storage near an appliance.

### In Case of Fire

Turn off appliance and ventilation hood to avoid spreading the flame. Extinguish flame then turn on hood to remove smoke and odor.

- Cooktop: Smother fire or flame in a pan with a lid or cookie sheet.
- NEVER pick up or move a flaming pan.
- Oven: Smother fire or flame by closing the oven door. DO NOT use water on grease fires. Use baking soda, a dry chemical or foam type extinguisher to smother fire or flame, if available, a multipurpose dry chemical or foam type extinguisher.

### Child Safety

- NEVER leave children alone or unsupervised near the appliance when it is in use or is still hot.
- NEVER allow children to sit or stand on any part of the appliance as they could be injured or burned.
- DO NOT store items of interest to children over the unit. Children climbing to reach those items could be seriously injured.

## Cooking Safety

- Once the unit has been installed as outlined in the Installation Instructions, it is important that the fresh air supply is not obstructed. The use of a gas cooking appliance results in the production of heat and moisture in the room in which it is installed.
- Ensure that the kitchen is well-ventilated. Keep natural venting holes open or install a mechanical ventilation device. Prolonged or intensive use of the appliance may call for additional (such as opening a window) or more effective ventilation (such as increasing the level of a mechanical ventilation if present).
- NEVER use aluminum foil to cover oven racks or oven bottom. This could result in risk of electric shock, fire, or damage to the appliance. Use foil only as directed in this guide.
- To eliminate the hazard of reaching over hot surface burners, cabinet storage should not be provided directly above a unit. Temperatures may be unsafe for some items, such as volatile liquids, cleaners or aerosol sprays.
- ALWAYS place a pan on a surface burner before turning it on. Be sure you know which knob controls which surface burner. Make sure the correct burner is turned on and that the burner has ignited. When cooking is completed, turn burner off before removing pan to prevent exposure to burner flame.
- ALWAYS adjust surface burner flame so that it does not extend beyond the bottom edge of the pan. An excessive flame is hazardous, wastes energy and may damage the appliance, pan or cabinets above the appliance. This is based on safety considerations.
- NEVER leave a surface cooking operation unattended especially when using a high heat setting or when deep fat frying. Boilovers cause smoking and greasy spillovers may ignite. Clean up greasy spills as soon as possible. DO NOT use high heat for extended cooking operations.
- DO NOT heat unopened food containers, build up of pressure may cause the container to explode and result in injury.
- ALWAYS let quantities of hot fat used for deep fat frying cool before attempting to move or handle.
- NEVER wear garments made of flammable material or loose fitting or long-sleeved apparel while cooking. Clothing may ignite or catch utensil handles. DO NOT drape towels or materials on oven door handles. These items could ignite and cause burns.
- ALWAYS place oven racks in the desired posi-

tions while oven is cool. Slide oven rack out to add or remove food, using dry, sturdy potholders.

- ALWAYS avoid reaching into the oven to add or remove food. If a rack must be moved while hot, use a dry pot-holder.
- ALWAYS turn the oven off at the end of cooking.
- Use care when opening the oven door. Let hot air or steam escape before moving or replacing food.
- DO NOT cook directly on the oven bottom. This could result in damage to your appliance. Always use the oven racks when cooking in the oven.

Do not connect any appliances to the plugs above or near to the induction cooktop; connection cable insulation can melt if in contact with heat, and this may result in an injury and a property damage.

## Recommended Utensils

- Use pans with flat bottoms and handles that are easily grasped and stay cool. Avoid using unstable, warped, easily tipped or loose-handled pans. Also avoid using pans, especially small pans, with heavy handles as they could be unstable and easily tip. Pans that are heavy to move when filled with food may also be hazardous.
- Be sure utensil is large enough to properly contain food and avoid boilovers. Pan size is particularly important in deep fat frying. Be sure pan will accommodate the volume of food that is to be added as well as the bubble action of fat.
- To minimize burns, ignition of flammable materials and spillage due to unintentional contact with the utensil, DO NOT extend handles over adjacent surface burners. ALWAYS turn pan handles toward the side or back of the appliance, not out into the room where they are easily hit or reached by small children.
- NEVER let a pan boil dry as this could damage the utensil and the appliance.
- Follow the manufacturer's directions when using oven cooking bags.
- Only certain types of glass, glass/ceramic, ceramic or glazed utensils are suitable for range-top surface or oven usage without breaking due to the sudden change in temperature. Follow manufacturer's instructions when using glass.

## Induction Cooking Surfaces

- Surface areas on or adjacent to the unit may be hot enough to cause burns. Do not touch the cooking area as long as the light indicating residual heat on the glass-ceramic cooktop area, is “on”; this indicates that the temperature in the relative area is still high.
- DO NOT COOK ON BROKEN COOKING SURFACE – If cooking surface should break, cleaning solutions and spillovers may penetrate the broken cooking surface and create a risk of electric shock. Contact a qualified technician immediately.
- Keep a close eye on children because they are unlikely to see the residual heat warning lights. The cooking zones are still very hot for some time after use, even if they are switched off. Make sure that children never touch them.
- NEVER use aluminum foil to hold the food while cooking on a glass-ceramic cooktop area.
- Never place pan with bottoms which are not perfectly flat and smooth on the cooktop area.
- If you drop a heavy pot on your cooktop area it will not break. On the contrary, if a hard object, such as the salt shaker or the spice bottle strikes the edge or the corner of the cooktop area, the cooktop area may break.
- Never use the glass-ceramic cooktop area as support surface.
- Only use cleaning products made specifically for ceramic glass cooking surfaces.
- Metal items such as cutlery or lids must never be placed on the surface of the cooktop area since they may become hot.

## Radio Interference - Induction Ranges

This unit generates, uses, and can radiate radio frequency energy and, if not installed and used in accordance with the instructions, may cause harmful interference to radio communications. However, there is no guarantee that interference will not occur in a particular installation. If this unit does cause harmful interference to radio or television reception, which can be determined by turning the unit off and on, the user is encouraged to try to correct the interference by one or more of the following measures:

- Reorient or relocate the receiving antenna
- Increase the distance between the unit and receiver
- Connect the unit into an outlet on a circuit different from that to which the receiver is connected.

## Oven Heating Elements

- NEVER touch oven bake and broil burner areas or interior surfaces of oven.
- Bake and broil burners may be hot even though they are dark in color. Areas near burners and interior surfaces of an oven may become hot enough to cause burns.
- During and after use, DO NOT touch or let clothing or other flammable materials contact heating elements, areas near elements, or interior surfaces of oven until they have had sufficient time to cool. Other surfaces of the oven may become hot enough to cause burns, such as the oven vent opening, the surface near the vent opening, and the oven door window.

## Cleaning Safety

- Turn off all controls and wait for appliance parts to cool before touching or cleaning them. DO NOT touch the burner grates or surrounding areas until they have had sufficient time to cool.
- Clean the range with caution. Avoid steam burns; DO NOT use a wet sponge or cloth to clean the range while it is hot. Some cleaners produce noxious fumes if applied to a hot surface. Follow directions provided by the cleaner manufacturer.
- DO NOT clean, rub, damage, move or remove the door gasket. It is essential for a good seal during baking. If the gasket becomes worn or excessively soiled with food particles, replace gasket to assure a tight seal.

## Power failure warning

Due to safety considerations and the possibility of personal injury in attempting to light and extinguish the oven burners, the grill and the oven burner should not be used during a power failure. The oven control knob should always remain in the “OFF” position during a power failure.

NEVER use appliance as a space heater to heat or warm a room to prevent potential hazard to the user and damage to the appliance. Also, DO NOT use the rangetop or oven as a storage area for food or cooking utensils.



### Electrical shock hazard

Make sure all controls are OFF and oven is COOL before cleaning. Failure to do so can result in burns or electrical shock.

DO NOT touch a hot oven light bulb with a damp cloth as the bulb could break. Should the bulb break, disconnect power to the appliance before removing bulb to avoid electrical shock.

NEVER cover any slots, holes or passages in the oven bottom or cover an entire rack with materials such as aluminum foil. Doing so blocks air flow through the oven and may cause carbon monoxide poisoning. Aluminum foil linings may also trap heat, causing a fire hazard.

### Burn hazard

The oven door, especially the glass, can get hot. DO NOT touch the oven door glass!

### Warning-tipping hazard

Children and adults can tip over the range if it has not been secured. This may lead to fatal injuries.



To reduce the risk of the appliance tipping, it must be secured and connected using the anti-tip device according to the installation instructions. Re-engage the anti-tip device if the range is moved.

Do not operate the range without the anti-tip device in place and engaged. Do not use the range if the anti-tip device has not been properly installed and engaged. See installation instructions for details.

**Failure to observe the information contained in the installation instructions can lead to serious or fatal injuries for children and adults.**



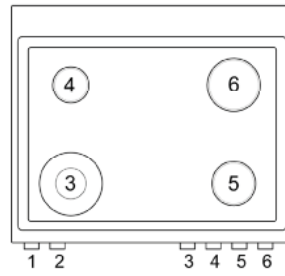
#### **WARNING:**

Cancer and Reproductiv Harm-  
[www.P65Warnings.ca.gov](http://www.P65Warnings.ca.gov).

## WORKTOP AND KNOBS LAYOUT

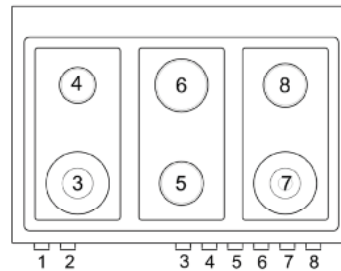
### Heating element

- |   |                         |
|---|-------------------------|
| 1 | Oven functions selector |
| 2 | Oven thermostat         |
| 3 | Left front burner       |
| 4 | Left rear burner        |
| 5 | Right front burner      |
| 6 | Right rear burner       |



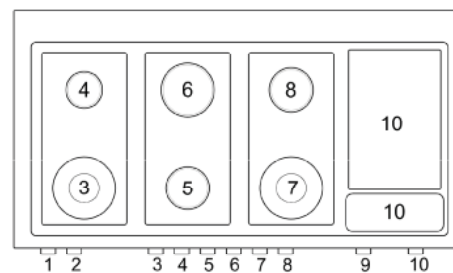
### Heating element

- |   |                      |
|---|----------------------|
| 1 | Left front burner    |
| 2 | Left rear burner     |
| 3 | Left front burner    |
| 4 | Left rear burner     |
| 5 | Central front burner |
| 6 | Central rear burner  |
| 7 | Right front burner   |
| 8 | Right rear burner    |



### Heating element

- |    |                           |
|----|---------------------------|
| 1  | Oven functions selector   |
| 2  | Oven thermostat           |
| 3  | Left front burner         |
| 4  | Left rear burner          |
| 5  | Central front burner      |
| 6  | Central rear burner       |
| 7  | Right front burner        |
| 8  | Right rear burner         |
| 9  | Auxiliary oven thermostat |
| 10 | Electric griddle          |

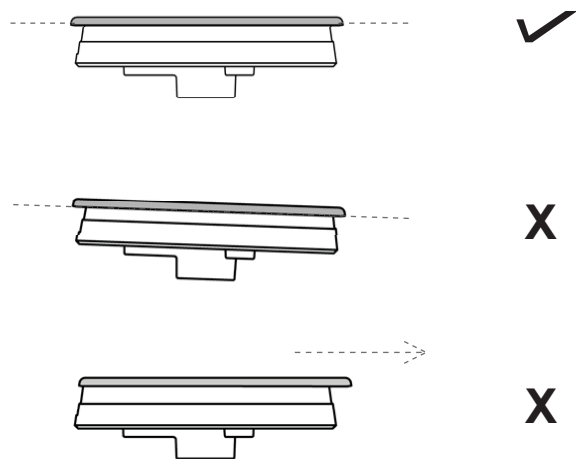




## GAS COOKTOP

### BURNER CAPS AND GRATES

The burners and the burner caps must be properly placed for the cooktop to function properly.

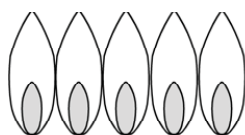


The burner grates must be properly placed inside the recess on the cooktop.

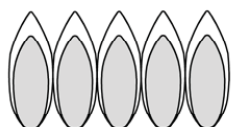
### MAKING SURE THE FLAME IS OPTIMAL

The flame should be stable with no excessive noise or fluttering. The color should be blue with no yellow on the tips. It is not uncommon to see orange in the flame color; this indicates the burning of airborne impurities in the gas and will disappear with use.

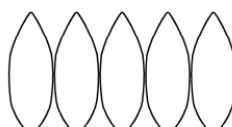
- With propane (LP) gas, slight yellow tips on the primary icon are normal.
- The flame should burn completely around the burner cap. If it doesn't, check that the cap is positioned correctly on the base and that the ports are not blocked.



yellow flames:  
further adjustment is required



yellow tips on outer cones:  
normal for LP gas



soft blue flames:  
normal for natural gas

The correct flame height depends on:

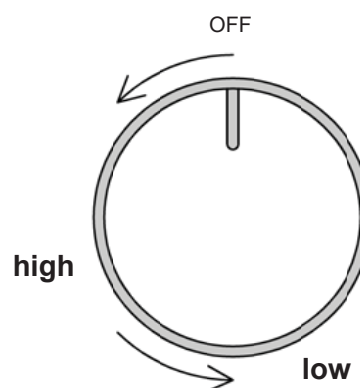
- size and material of pan being used
- food being cooked
- amount of liquid in the pan.

Never extend the flame beyond the base of the pan. Use a low or medium flame for pan materials that conduct the heat slowly, such as porcelain coated steel or glass-ceramic.

Because the edges of the flame are much hotter than its center, the flame tips should stay beneath the bottom of the cookware. Flame tips which extend beyond the sides of the cookware emit unnecessary heat into the room and can also damage cookware handles, which increases the risk of injury.

### USING THE GAS BURNERS

- Press in the control knob and turn it anti-clockwise, to HIGH position.
- Continue to hold the knob in for 5 to 10 seconds after the burner ignition before releasing
- Adjust flame with the knob as needed.



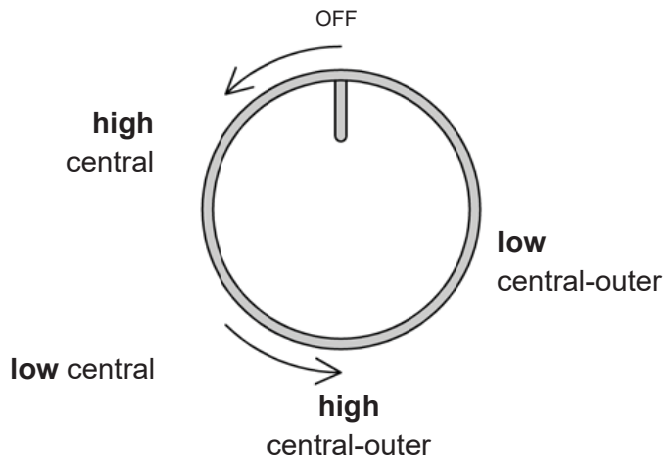
## USING THE POWER BURNER

To give further flexibility, the dual power burner can be used as a single simmer burner if the central burner alone is ignited or as a power burner if the outer burner is also ignited.

To light the central burner, press in the control knob and turn it anti-clockwise to the HIGH of the single ring position

Continue to hold the knob in for 5 to 10 seconds after the burner ignites before releasing

To also light the outer burner, turn the knob to the HIGH double ring. Adjust the flame as required.



## GAS SHUT-OFF SAFETY - THERMOCOUPLE

A flame failure device (thermocouple) on each burner acts as a safety gas cut-off in case the flame is accidentally blown out. A thermocouple detects the absence of a flame and stops the supply of gas. The thermocouple must be heated for a few seconds when the burner is ignited before the knob is released.

## USING SPECIALTY COOKWARE

### Woks

Either flat-based or round-bottom woks with the accessory ring can be used on all models. Round bottom woks must be used with a support ring. In some models the porcelain-coated cast iron wok support ring must be purchased separately.

### Simmer ring

For very slow cooking the porcelain coated simmer ring should be used. In some models the porcelain-coated cast iron simmer ring must be purchased separately.

Simmer ring must be used for pan with diameter less than 4 inches.

**NOTE:** In the event of a power failure, the burners can be lit with a match or gas lighter. The flame failure devices will continue to function normally.

## GAS BURNER DIMENSIONS AND RECOMMENDED PAN SIZE

Burner	Diam. in (mm)	Diam. of pan	Utilization
Auxiliary	Ø 2" (50mm)	Ø 3 <sup>1</sup> / <sub>2</sub> - 5 <sup>1</sup> / <sub>2</sub> (90-140mm)	Use with smaller pans for boiling and simmering and the preparation of sauces.
Semi-rapid	Ø 2 <sup>3</sup> / <sub>4</sub> (70mm)	Ø 5 <sup>1</sup> / <sub>2</sub> -10 <sup>1</sup> / <sub>4</sub> (140-260mm)	Use for normal frying and boiling in medium and small pans.
Rapid	Ø 3 <sup>3</sup> / <sub>4</sub> (95 mm)	Ø 7 <sup>1</sup> / <sub>8</sub> -10 <sup>1</sup> / <sub>4</sub> (180-260 mm)	Use with large and medium pans of water for frying and rapid boiling.
Dual inner/outer	Ø1 <sup>11</sup> / <sub>16</sub> -5 <sup>1</sup> / <sub>2</sub> (43-140 mm)	Ø 8 <sup>2</sup> / <sub>3</sub> -10 <sup>1</sup> / <sub>4</sub> (220-260 mm)	Use with woks, griddle's and frying pans or for large pans and rapid boiling.

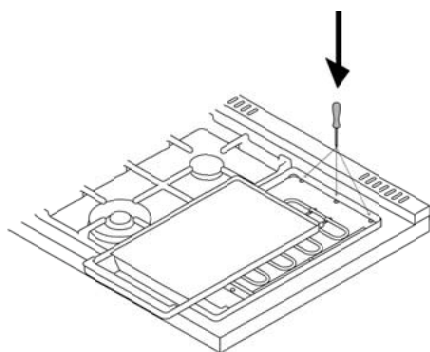
## ELECTRIC GRIDDLE

### Available on 48" models only

The electric stainless steel griddle is manufactured from 3/16 inches stainless steel designed for maximum heat retention. Use extreme caution when operating the griddle to avoid burn hazard!

### PREPARING THE GRIDDLE

- Check the griddle plate adjustment by pouring two tablespoons of water on the back of the griddle plate. The water should slowly roll into the grease tray.
- To adjust move the griddle plate to the side.
- Adjust the two screws under the back of the plate. Start with one half turn counterclockwise of the screws. Further adjustment should be made by one-quarter turn until water slowly flows into the grease tray.



### SEASONING THE GRIDDLE

The stainless steel griddle must be seasoned before using it for the first time. We also recommend re-seasoning after a long time of non use.

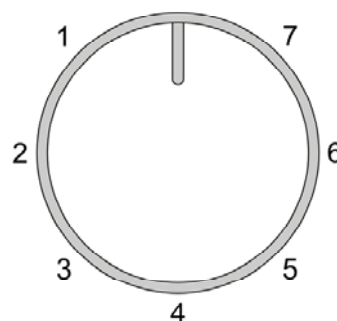
- Clean the griddle thoroughly with hot water and soap solution to remove any protective coating.
- Rinse with a mixture ¼ gal of water and 1 cup white vinegar and dry thoroughly.
- Pour 1 tsp vegetable oil into the centre of the griddle. Rub the oil over the entire surface of the griddle using a heavy cloth.
- Turn the control knob to a maximum setting.

- Turn the heat off when the oil begins to smoke. Allow the griddle to cool.
- Repeat step 3 covering the entire surface with the oil. Turn off the heat and allow the griddle to cool.
- Wipe the entire surface of the griddle using a heavy cloth.
- Apply a very thin layer of vegetable oil. The griddle is now ready for use, too much oil can damage the griddle

### USING THE ELECTRIC GRIDDLE

Press and turn the knob (Fig. 16) anti-clockwise to the selected position. The activation of the griddle is shown by the indicator light which is also found on the front panel of the appliance.

Pre-heat at the maximum temperature for 15 minutes, then place the food on the griddle and cook at the desired temperature.



You can cook on the electric griddle without butter, margarine or oil. However, a very small amount may be used to flavor foods.

**DO NOT** use metal utensils on the griddle surface. Care should be taken that the surface is not scratched or gouged with utensils.

**DO NOT** use knives for cutting directly on the griddle plate.

### RECOMMENDED GRIDDLE TEMPERATURES

Food	Knob position	Setting
Eggs	3	300°F to 325°F
Bacon; Breakfast Sausage	3 - 4	350°F to 375°F
Toasted Sandwiches	3	325°F to 350°F
Boneless Chicken Breasts	3 - 4	350°F to 375°F
Boneless Pork Chops (15 mm thick)	3 - 4	350°F to 375°F
Ham Slices (15 mm thick)	3 - 4	350°F to 375°F
Pancakes; French Toast	3 - 4	350°F to 375°F
Potatoes; Hash Browns	4 - 5	375°F to 400°F

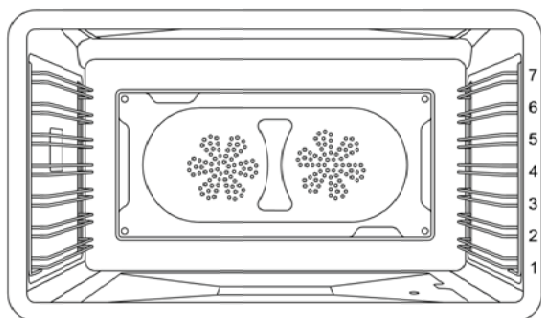
## MAIN ELECTRIC OVEN

### Attention!

When using the oven for the first time it should be operated for 15-30 minutes at a temperature of about 500°F/260°C without cooking anything inside in order to eliminate any moisture and odours from the internal insulation.

### SHELVES POSITIONS

Shelves are mounted on the appropriate guides situated on the sides of the oven compartment. Insert the shelf between top and bottom guide in any of the 7 positions indicated.



### COOLING FAN

The range is equipped with a cooling fan designed to prevent the control panel and knobs from overheating. The cooling fan will operate when the oven temperature goes up. It will turn off when the temperature decreases.

**NOTE:** It is normal for the cooling process to push heated air out into the room when the oven is on.

### PREHEATING THE OVEN

Most cooking times in recipes are intended for a preheated oven and require that the oven already be at the set temperature before placing food in the oven. Preheating time depends on the temperature setting and the number of racks in the oven.

### USING THE OVEN

1. Place rack in desired position and shut the door.
2. Select the oven function with the dedicated function knob. The light in the cavity will turn on.
3. Set the desired temperature with the dedicated selector knob.

The oven will start PRE-HEATING in a few seconds showing the progress in the gauge. The end of pre-heating will be confirmed with a tone. Place the food in the oven when the desired temperature has been reached.

### OVEN COOKING MODES

The oven is equipped with 4 heating elements, used alone or in combination to create different cooking modes:

- Upper bake element
- Lower bake element
- Broil element
- Convection element

*The temperature setting and cooking times can vary slightly from one oven to another. It is possible that recipes and cooking times need to be adjusted accordingly.*

### Bake

*Heat from upper and lower element*

Use this setting for baking, roasting, and casseroles on a single rack.

- Standard bake: level 3 or 4
- Taller items: level 3
- Pies: level 2 or 3 to ensure the bottom of the crust is done without over-browning the top.
- Large cuts of meat or poultry: level 2.

### Convection bake

*Heat from upper and lower bake element and air flow convection with fan.*

Use this setting to bake and roast different foods at the same time with no taste transfer. The fan circulates the hot air around the oven for uniform cooking of larger quantities of food. Use for roasting vegetables, meat and poultry, or baked fish. This function is the best one for cooking frozen products and breaded/battered chicken or fish. It may be used for cakes, cookies, biscuits and other foods on multiple racks.

Use the same rack position as BAKE. When using 2 racks, use level 3 and 5.

### Pizza

*Heat from lower bake element and circular element and airflow convection with fan.*

Use for cooking pizza, pastry or flat breads to get a perfectly cooked base.

Use level 3 or level 2 to ensure the bottom of the crust is done.

**Broil**

*Heat from the broil element only*

The BROIL setting creates intense heat from the top of the cavity. The broil mode is effective when food is placed on upper racks.

- Beef steaks, ground meat patties, and lamb chops 1 inch or less: level 6.
- Meat 1 inches or more thick, fish, poultry, pork chops, ham steaks 1 inch or more: level 5.
- Browning food: level 6 (no longer than 15mins)

**Convection broil**

*Heat from broil element and air flow convection with fan.*

Use this setting for browning and cooking food evenly on all sides, including bottom. Also recommended for food that is too delicate to turn over such as fish. The fan circulates hot air around the food helping to cook it all the way through. The degree of browning on each side might be different.

The conv broil mode must be used on one rack,

- sausages and chicken portions: level 5 or 6
- foods with high water content such as bacon and chops: level 5 or 6 (door closed 400°F )

**Convection**

*Heat from the convection element and airflow convection with fan.*

Use this mode for most recipes being careful at calibrating the time. Less time is usually required to reach the desired result when using convection. The temperature is kept uniform throughout the oven, which is particularly suitable for baking on several levels or for batch cooking.

- Single rack: use the same rack position as bake
- 2 racks: use level 3 and 5
- 3 racks : use level 2 ,4, 6

**Clean**

*Heat from upper and lower element.*

Use this settint for cleaning the oven with a pyrolytic self-cleaning cycle.

Turn the temperature knob to clean (see chapter SELF-CLEANING)

**SPECIAL FUNCTION/WARMING****Dehydrate**

*Heat from lower element and air flow convection with fan.*

Use this setting for dehydrate food, flowers, vegetables.

Turn the temperature knob to 100°F

Use level 2 or 3

**Proofing**

*Heat from lower element.*

Use this setting to maintain the warm, needed for proofing yeast. It is best to start with a cool oven when using the proofing function.

Turn the temperature knob to 150°F

Do not open the oven door unnecessarily

Use level 2 or 3

**Warming**

*Heat from lower element.*

Use this setting to keep warm the food at the temperature of 170°F(77°C).

Turn the temperature knob to 200°F

Use level 2 or 3

## AUXILIARY ELECTRIC OVEN

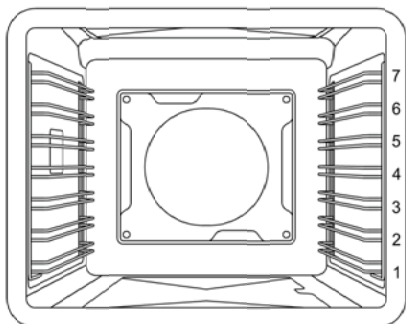
Available on 48" models only

### Attention!

When using the oven for the first time it should be operated for 15-30 minutes at a temperature of about 500°F/260°C without cooking anything inside in order to eliminate any moisture and odours from the internal insulation.

### SHELVES POSITIONS

Shelves are mounted on the appropriate guides situated on the sides of the oven compartment. Insert the shelf between top and bottom guide in any of the 7 positions indicated.



### COOLING FAN

Automatic operation of the cooling fan

The range cooker is equipped with a thermostatically controlled cooling fan designed to prevent the control panel and knobs from overheating. The cooling fan will operate when the oven temperature rises. It will turn off when the temperature decreases.

**NOTE:** It is normal for the cooling process to push heated air out into the room when the oven is on.

### PREHEATING THE OVEN

Most cooking times in recipes are intended for a preheated oven and require that the oven already be at the set temperature before placing food in the oven. Preheating time depends on the temperature setting and the number of racks in the oven.

### USING THE OVEN

1. Place rack in desired position and shut the door.
2. The electric oven is controlled by an electric thermostat combined with a switch. Select the oven function /temperature with the dedicated knob. The light in the cavity will turn on.

### OVEN COOKING MODES

The oven is equipped with 3 heating elements, used alone or in combination to create different cooking modes:

- Upper bake element
- Lower bake element
- Broil element

*The temperature setting and cooking times can vary slightly from one oven to another. It is possible that recipes and cooking times need to be adjust accordingly.*

#### Bake (From 150° to MAX)

*Heat from upper and lower element*

Use this setting for baking, roasting, and casseroles on a single rack.

- Standard bake: level 3 or 4
- Taller items: level 3
- Pies: level 2 or 3 to ensure the bottom of the crust is done without over-browning the top.
- Large cuts of meat or poultry: level 2.

#### Bottom Bake

*Heat from lower element*

In this function the temperature is fixed at max. setting. ( 500°F/260°C).

Use on a single rack.

- Standard bake: level 1 or 2

#### Upper Bake

*Heat from upper element*

In this function the temperature is fixed at max. setting. ( 500°F/260°C).

Use on a single rack.

Standard bake: level 5 or 6

#### Broil

*Heat from the broil element only*

The BROIL setting creates intense heat from the top of the cavity. The broil mode is effective when food is placed on upper racks.

- Beef steaks, ground meat patties, and lamb chops 1 inch or less: level 6.
- Meat 1 inches or more thick, fish, poultry, pork chops, ham steaks 1 inch or more: level 5.
- Browning food: level 6 (no longer than 15mins)

#### Light

Use this function to light the oven when the oven is off (for example to manual clean the oven).



## CONDENSATION

It is normal for a certain amount of moisture to evaporate from the food during any cooking process. The amount depends on the moisture content of the food. The moisture will condense on any surface cooler than the inside of the oven, such as the control panel.

## Using aluminum foil in the oven

Foil can be used to cover food in the oven but this should not come into close proximity with the oven elements. Foil should not be used to line the oven cavity or grill pan. This can cause overheating, buckling and cracking of the enamel surfaces.

## GETTING THE BEST RESULTS

- Minimize opening and closing the oven door during operation.
- Use the rack position recommended by the recipe and fine-tune with personal experience.
- Use the bakeware recommended in the recipe.
- Store the broiler pan(s) outside the oven. An extra pan without food will impact browning and cooking.
- For tender, golden brown crusts, use light non-stick/anodized or shiny metal pans.
- For brown crisp crusts, use dark non-stick/anodized or dark, dull metal pans or glass bakeware. These may require lowering the bake temperature 25°F (14°C).
- Allow at least 1" (25.4 mm) of space between

the pans and the oven walls so heat can circulate around each pan.

- To keep the oven as clean as possible, cook meat on a pan and not directly on the racks.
- Cooking will continue with residual heat. remove the dish from the oven immediately to avoid overcooking

## OVEN COOKING RECOMMENDATIONS

Food	Pan size	Control temperature setting	Total suggested cooking time
Cookies	12"x15" Cookie Sheet	375°F	8 to 12 minutes
Layer Cakes	8" or 9" Round	350°F	25 to 35 minutes
Sheet Cakes	9"x13" Pan	350°F	30 to 40 minutes
Bunt Cakes	12 Cup	325°F	60 to 75 minutes
Brownies or Bar Cookies	9"x9" Pan	325°F	20 to 25 minutes
Biscuits	12"x15" Cookie Sheet	425°F or Package Directions	10 to 15 minutes
Quick Bread	8"x4" Loaf Pan	350°F	55 to 70 minutes
Muffins	12 cup Muffin Pan	425°F	14 to 19 minutes
Fruit Pies	9" Diameter	425°F	35 to 45 minutes
Fruit Cobblers	9"x9" Pan	400°F	25 to 30 minutes
Yeast Bread, Loaves	8"x4" Loaf Pan	375°F	25 to 30 minutes
Dinner Rolls	9"x13" Pan	400°F	12 to 18 minutes
Cinnamon Rolls	9"x13" Pan	375°F	25 to 30 minutes
Yeast Cotter and Cake	12"x15" Cookie Sheet	400°F	20 to 30 minutes



**BROILING RECOMMENDATION**

Food item	Control temperature setting selector	Approximate cooking time	Special instructions and tips
BEEF Ground Beef Patties, ½" thick	500°F fixed temperature setting	15 to 20 minutes	Broil until no pink in center
T-Bone Steak	500°F fixed temperature setting	12 to 20 minutes	Time depends on rareness of steak
Flank Steak	500°F fixed temperature setting	12 to 20 minutes	Rare to Medium Rare
Eye of Round Roast	325°F	20 to 25 min/lb	Small roasts take more minutes per pound; reduce time by using Convection Bake
PORK Loin Roast	325°F	20 to 25 min/lb	Cook until juices are clear
POULTRY Boneless Skinless Chicken Breasts	500°F fixed temperature setting	20 to 25 minutes	Cook until juices are clear
Chicken Thighs	500°F fixed temperature setting	25 to 30 minutes	Remove skin; Cook until juices are clear
Half Chickens	500°F fixed temperature setting	30 to 45 minutes	Turn with tongs; Cook until juices are clear
Roast Chicken	350°F	75 to 90 minutes	Do not stuff; reduce time by using Convection Bake
Turkey	325°F	20 to 25 min/lb	Do not stuff; reduce time by using Convection Bake

**TROUBLESHOOTING COMMON PROBLEMS WITH OVEN COOKING**

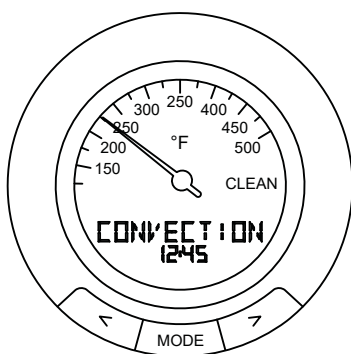
Problems	Cause	Remedy
Cakes burned on the sides or not done in center	Oven too hot Wrong pan size	Reduce temperature Use recommended pan size
Cakes crack on top	Batter too thick Oven too hot Wrong pan size	Follow recipe or add liquid Reduce temperature Use recommended pan size
Food too brown on bottom	Oven door opened too often Incorrect rack position Wrong bake setting	Use door window to check food Use recommended rack position Adjust to conventional or convection setting as needed
Food too brown on top	Incorrect rack position Oven not preheated	Use recommended rack position Allow oven to preheat
Cookies too flat	Hot cookie sheet	Allow sheet to cool between batches
Pies burned around edges	Oven too hot Oven not preheated	Reduce temperature Allow oven to preheat
Pies too light on top	Oven not hot enough Oven not preheated	Increase temperature Allow oven to preheat

## OVEN TEMPERATURE INDICATOR

The range is equipped with a device to indicate the temperature in the middle of the oven. This lets you check the temperature inside the oven and adjust food cooking temperatures more accurately.

When the oven is turned on, the heating elements will start working at maximum and the thermometer dial will start to move towards the set temperature. Heat is optimally distributed inside the oven when the thermometer dial has stopped and pre-heating is finished. When the oven is turned off, the temperature on the thermometer will slowly drop until it reaches room temperature.

- *the gauge is for reference only.*



The Gauge is equipped with a digital interface that show the selected functions and manage the cooking time.

### Set the gauge:

1. Press MODE.
2. Use the “<” and “>” buttons to select SET-UP
3. Press MODE.
4. Press the “<” and “>” buttons to select desired functions: language, 12h/24h, time, volume, alarm vol., showroom.
  - Language press “<” and “>” buttons to select desired language and press MODE to confirm
  - 12h/24h press “<” and “>” buttons to select desired clock indication and press MODE to confirm
  - Time press “<” and “>” buttons to select desired time (keep on press the button to fast forwarding) and press MODE to confirm
  - volume press “<” and “>” buttons to select desired volume control and press MODE to confirm
  - alarm vol. press “<” and “>” buttons to select desired alarm vol. control and press MODE to confirm
  - showroom: function reserved for retailer use only.

### End/delay mode:

1. Press MODE.
2. Press the “<” and “>” buttons to select the desired cooking time and press MODE.
3. Press M to start cooking, press < or > buttons to set a different end of cooking time (in this function the set time is the end of cooking) than press MODE to confirm.
4. Set function and temperature with the knobs.
5. If the delay start is settled the display will show the cooking start time otherwise the oven will switch on.
6. Once the set end of cooking time is finished, a sound will be heard and the oven automatically switches off.

**Note:** to change selected time restart from point 1.

### Timer:

1. Press MODE.
2. Use the “<” and “>” buttons to select TIMER
3. Press MODE.
4. Press the “<” and “>” buttons to select the desired time and press MODE
5. The countdown start immediately and the display will show the remaining time
6. Once the set time is finished, a sound will be heard

**Note:** to change settled time restart from point 1. This function is only a minute minder and does not stop the cooking process.

### Meat probe

The meat probe allows you more control over how your foods are cooked by automatically disabling the specified cooking mode when a dish's desired temperature, defined by the cook, has been reached. The probe will indicate the internal temperature of the meat as it cooks.

Programming the meat probe

1. Insert the food probe in the item to be cooked.
 

For best results, insert the probe as close as possible to the center of the item and make sure it is not in contact with bones or fat. Improper placement of the probe could shut the oven off too early and result in uncooked food. With poultry, make sure the probe does not rest in a cavity.
2. set function and temperature with the knobs.
3. Use the “<” and “>” buttons to select MEAT PROBE

4. Press MODE.
5. Press the "<" and ">" buttons to select the desired cooking temperature and press MODE
6. Insert the items to be cooked on the oven then connect the probe jack to the port located in the upper left side of the oven cavity.
7. The display will show current meat probe temperature as well as set meat probe temperature.
8. When the temperature selected will be reached a tone will be heard and the oven automatically switches off.

**Note:**

Once a time function is settled the other time functions are not available.

According to the recipe the oven can be pre-heated before use any time functions.

## SELF-CLEANING

**WARNING:**

Children should not be left alone or unattended in an area where appliances are in use.

- During the Self-Clean cycle, exterior surfaces may become hotter than usual. Parts of the appliance may become potentially harmful to children, and to persons who lack adult knowledge of appliances and lack adult reactions to potentially harmful conditions.

Keep these individuals away during self-clean and while the appliance is in use.

- The elimination of soil during self-cleaning may facilitate the emission of small amounts of chemicals or other substances that may be harmful upon sufficient exposure. To minimize exposure to these

substances, provide good ventilation with an open window, or use a ventilation fan or hood.

- Keep pet birds out of the kitchen or other rooms where kitchen fumes could reach them. During selfclean, fumes are released that may be harmful to birds.

### Electric oven

When set to the CLEAN mode, the oven reaches a high temperature of approximately 840°F/450°C that burns off all food residues from the inside of the oven.

When the oven is set for CLEAN, the cooktop burners may be used.

It is common to see smoke and/or flames during the clean cycle, depending on the content and amount of greasy residues in the oven. If the flame persists, turn off the oven and allow it to cool before opening the door and wipe off the excessive residues.

At the end of the CLEAN cycle, some grey ash or burned residue may remain inside the oven. This is a mineral deposit that does not burn or melt. The amount of ash depends on how heavily soiled the oven was before it was cleaned. It is easily removed, when the oven is cold, using a damp paper towel, sponge, or cloth.

Wipe off any smoke residue that remains on the front frame with a cleaning product suitable for oven cavity cleaning. If stains remain, use a mild liquid cleaner. The amount of smoke stain is directly related to the amount of food residues in the oven cavity before the start of the self-cleaning cycle.

## Before Self Cleaning the Oven

Wipe out large spillages, grease and any loose soil that can be easily removed. Remove any soil that is outside the door seal area. This appliance is designed to clean the oven interior and the portion of the door that faces the oven cavity. The outer edges of the door and the oven cavity are not in the cleaning zone. Wipe this area clean before starting the self-cleaning cycle.

Remove all utensils and racks.

Make sure the light bulbs and glass covers are in place.

Turn on the ventilator hood above the range and leave it on until the self-clean cycle is completed (red indicator light turns off).

## Remove racks

- 1 Locate the two hooks at the bottom of the rack and gently pull down at the same time the two hooks.
  - 2 Pull the rack away from the oven side and remove pulling up the upper hooks of the racks from the side of the oven.
  - 3 Remove the rack from the oven.
- Insert the probe closing cap into the port located in the upper left side of the oven cavity.

## Door Lock

When the CLEAN cycle starts, the automatic door lock cycle begins. Check the door to confirm that it is locked. You can stop the self-cleaning cycle by turning the function selector to the OFF position. NOTE: make sure that the oven door is locked at the beginning of the self-cleaning cycle.

## To Set/Start Self-Clean cycle

1. Check that the oven cavity is completely empty and the oven door correctly closed.
2. Turn the function control knob to CLEAN.
3. Turn the temperature control knob to CLEAN.

After these 3 steps the cooling fans will activate, the oven door will lock automatically after 60 seconds and both the pre-heating and clean light indicators will turn on.

As soon as clean light turns on check to ensure that the oven door is correctly locked.

## At the End of the Self-Clean cycle

The self-cleaning cycle lasts approximately 2-2 ¼ hours; 30-40 minutes for pre-heating the oven (pre-heating and clean light both on), 60 minutes for actual cleaning (heating and clean light both on), 30-35 minutes for cool-down (only clean light on).

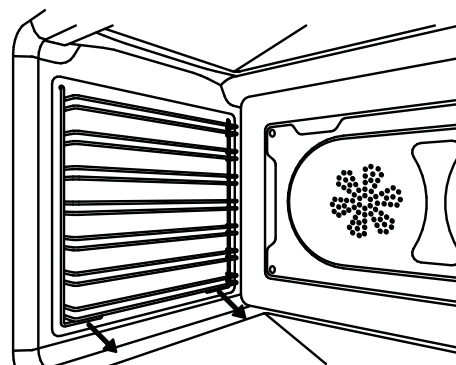
When the CLEAN light is turned off the oven door is unlocked. This will happen when the oven tem-

perature drops below 460-500°F/240-260°C approximately.

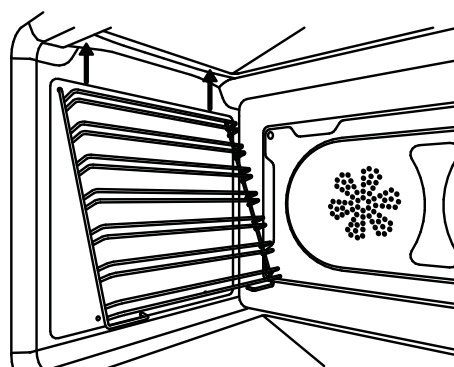
At the end of the cycle turn both the oven mode selectors and the temperature to the OFF position.

## CAUTION

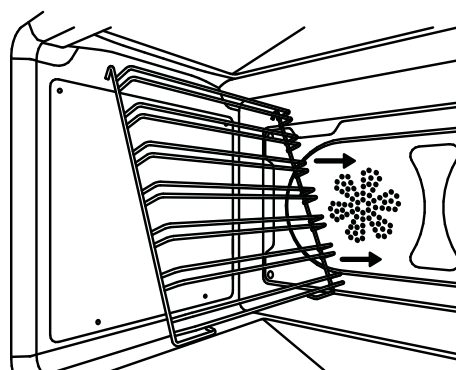
The interior of the oven will still be at baking temperatures when the automatic lock cycles to its open position and the oven door can be opened.



1



2



3

## TELESCOPIC GLIDES

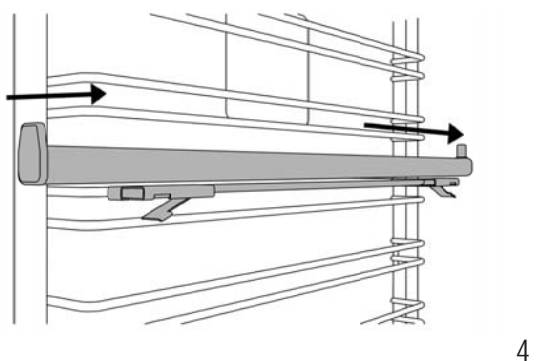
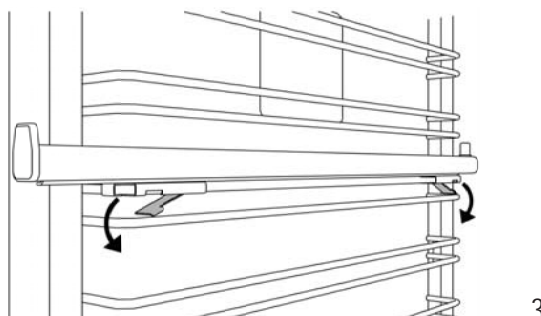
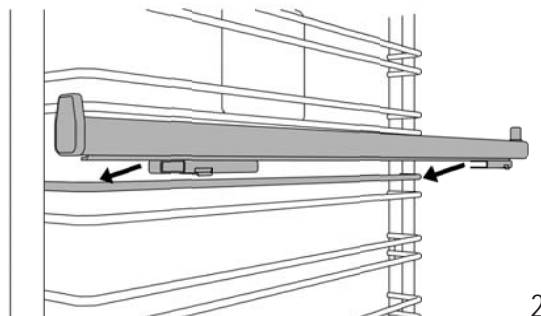
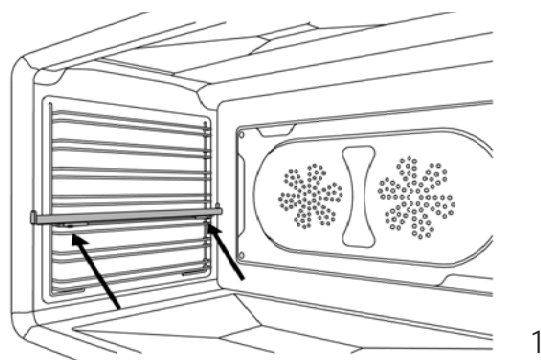
The telescopic glides fit any shelf level and work with the wire shelves provided as standard equipment.

### Fitting the glides

- Locate the two spring clips at the front and back of the glides.
- Locate the pin on the glide that indicates the back.
- Choose the right level and position the telescopic glide near the upper wire.
- Gently insert the front spring clip on the glide.
- Insert the rear spring clip on the glide.
- Pull and push each glide to ensure the correct installation and smooth operation.
- Extract both glides to the fully extended position and place the shelf over them, making sure it's accurately placed between the rear pin and the front pin.

### Removing the glides

- 1 - Locate the two spring clips at the front and back of the glide.
- 2 - Gently pull down the front spring clip.
- 3 - Pull the glide away from the oven side - be careful not to strain the clip.
- 4 - Repeat steps 2 - 3 on rear spring clip to remove glide.





## KEEPING YOUR BERTAZZONI CLEAN

### Burn hazard

Make sure the heating elements are turned off and allowed to cool completely before any cleaning and/or maintenance operation.

### Things to avoid:

- Do not use a steam cleaner to clean the range: the steam could reach electrical components and cause a short.
- Do not spray liquids such as cleaning agents into the openings on the bottom and top of the oven cavity.
- All surfaces can discolor or be damaged if unsuitable cleaning agents are used. The front of the oven, in particular, will be damaged by oven cleaners and descalers. All surfaces are susceptible to scratching. Scratches on glass surfaces may cause a breakage. Immediately remove any residues by using suitable cleaning products.
- The heating elements in the oven do not require cleaning. The elements burn off any residue when the oven is in use.

### Cleaning stainless steel

All stainless steel parts should be wiped with hot water and soap solution at the end of each cycle. Wipe up spills and boilovers immediately. Use suitable, non-abrasive stainless cleaning products when water and soap solution will not do the job. *DO NOT use steel wool, abrasive cloths, cleaners, or powders.* If necessary, scrape stainless steel to remove encrusted materials, soak the area with hot towels to soften the residue, then use a wooden or nylon spatula or scraper. *DO NOT use a metal knife, spatula, or any other metal tool to scrape stainless steel.* DO NOT permit citrus or tomato juice to remain on stainless steel surface, as citric acid will permanently discolor stainless steel.

### Cleaning painted surfaces

Clean with a soft cloth, warm water and non-abrasive dishwashing liquid. Whilst still damp, polish dry with a clean soft cloth.

### Cleaning glass surfaces

Clean with cleaning detergent and warm water. Glass cleaner can be used to remove fingerprints. If using glass cleaner containing ammonia, make sure that it does not drip on exterior door surface.

### Cleaning the broiler pan

Clean with detergent and hot water. For stubborn spots, use a soap-filled steel wool pad.

The porcelain enamel finish is acid resistant, but not acid proof. Acidic foods, such as citrus juices, tomatoes, rhubarb, vinegar, alcohol or milk, should be wiped up and not allowed to bake onto the porcelain during the next use.

### Cleaning the induction cooktop

Allow the glass to cool down until the residual heat indicator is off before cleaning. Never use scouring powders or paste, metal scourers, oven cleaners or any abrasive cleaning products on the hotplate. Clean spillovers before using the cooktop again.

For light cleaning, wipe with a soft cloth, warm water and dishwashing liquid. For a streak free finish, polish dry with a microfibre cloth. For more stubborn marks and to condition the surface, use a good quality cooktop cleaner/conditioner, following the manufacturer's instructions. For spillages with high sugar content such as jam, or the accidental melting of plastic or alloy materials, turn off the heating zone and remove the spillage immediately.

Use caution because the heating area maybe very hot.

### Cleaning the oven cavity

- Always allow the oven interior to cool before cleaning.
- Do not allow vinegar, wine, coffee, milk, salt water or fruit juices to remain in contact with enamelled surfaces for prolonged periods as they may stain or discolour the surface.
- Never use sharp utensils to remove stains as this could scratch the surface.
- Never use steam cleaners on the oven interiors as steam may damage electronic parts.
- For light cleaning, wipe with a soft cloth, using warm water and washing up liquid. For heavier residues, use a cream cleaner and a nylon scourer.
- Oven cleaning products can be used according to the manufacturer's directions but care should be taken that they do not come in contact with any stainless steel, chrome, painted or alloy parts of the range or the door seals and elements.

### Cleaning oven racks and supports

Clean with detergent and hot water. Stubborn spots can be scoured with a soap-filled steel wool pad.

## SIMPLE MAINTENANCE

These simple tasks can be performed by the owner. For any other maintenance task, we recommend employing a trained service technician. Please call our toll free line to identify service technicians in your area:

**ENGLISH 866 905 0010**

if located in the US, BC, B, Sk and MB

**FRANCAIS 800 561 7265**

if located in ON, QC, PE, NU, NS, NL, NB

### REPLACING OVEN LIGHTS

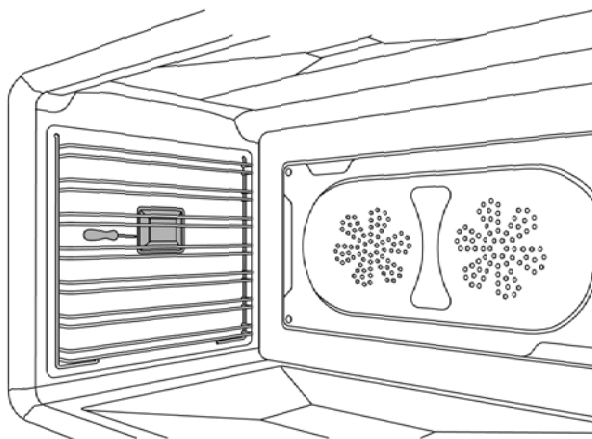
#### **Warning! Electric shock hazard!**

Disconnect the electric power at the main fuse or circuit breaker before replacing bulb. DO NOT touch bulb with bare hands. Clean off any signs of oil from the bulb and handle with a soft cloth.

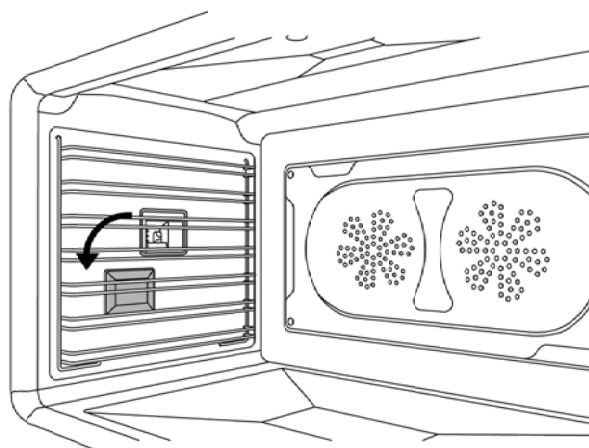
#### **Side oven light**

*Bulb type: halogen G9 120 V, 40 W*

- Make sure the heating elements are turned off and allowed to cool completely. Disconnect the appliance from the power supply. Remove the oven rack if it interferes with the light housing.
- Slide the tip of a flat screw driver between the glass cover and the lamp housing. Gently twist the screw driver tip to loosen the glass lens cover, holding it in place with your fingers to prevent it from falling and breaking.
- Remove the glass lens cover and then remove the halogen bulb.
- Place a new halogen bulb in its slot. DO NOT touch bulb with bare hands.
- Press the glass cover back into place and replace the oven rack.
- Reconnect the oven to the electrical supply.



1

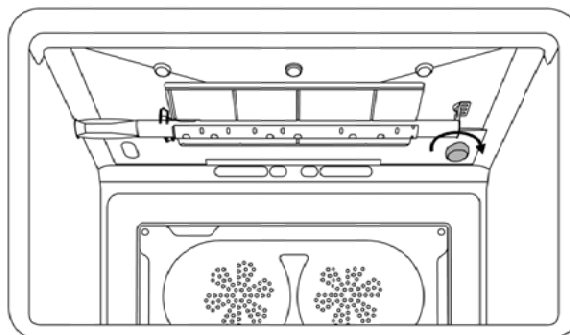


2

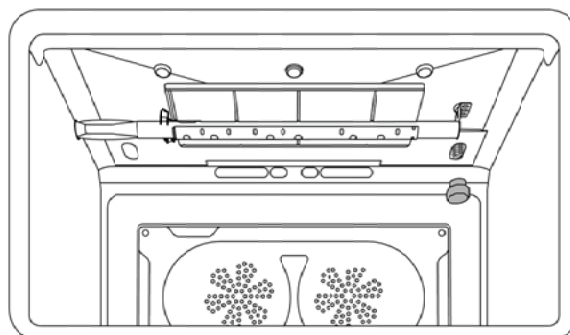
#### **Top oven light**

*Bulb type: halogen G9 120 V, 40 W*

- Make sure the heating elements are turned off and allowed to cool completely. Disconnect the appliance from the power supply.
- Unscrew the glass cover and remove the halogen bulb.
- Place a new halogen bulb in its slot. DO NOT touch bulb with bare hands
- Screw the glass cover back in place.
- Reconnect the oven to the electrical supply.



1



2

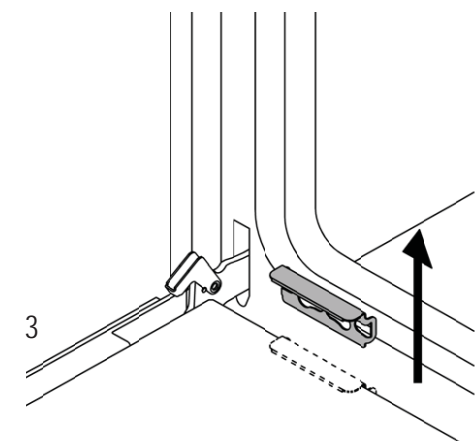
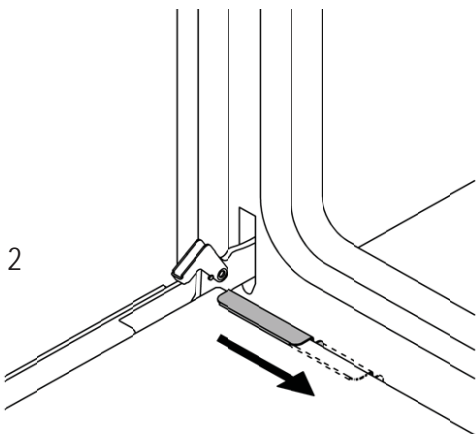
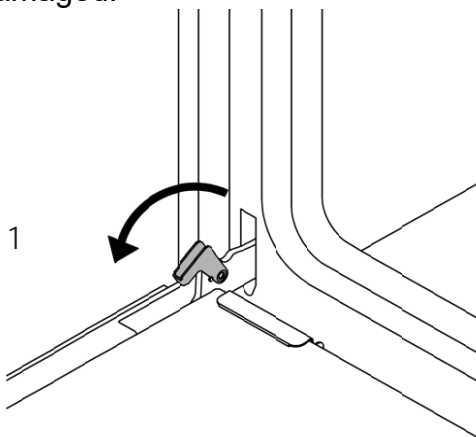
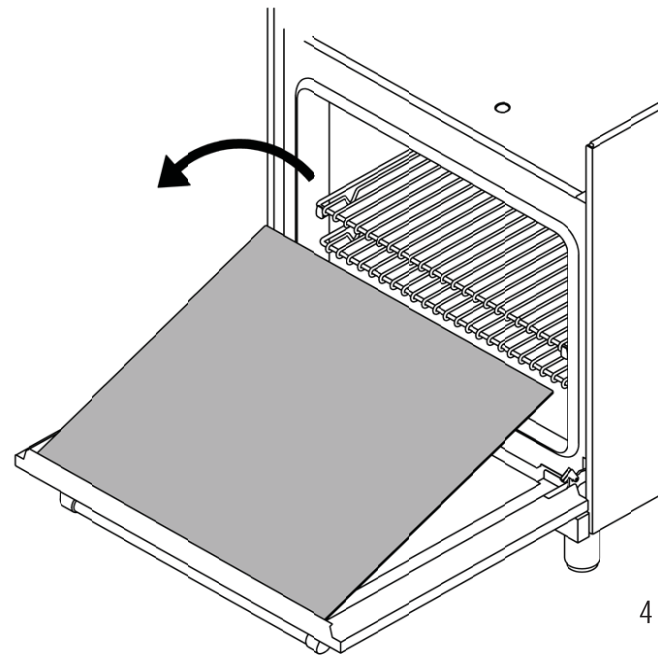


## CLEANING INSIDE GLASS DOOR

The inner glass door panels can be easily removed for cleaning. It is not necessary to remove the door in order to clean the glass panes. The glass can be cleaned in situ or removed.

- Open the oven door to its fully extended position.
- Flip down hinge clip on each hinge to secure the door in an open position. A screwdriver may be necessary to carefully pry the clip back.
- Slide the clips towards the centre of the door.
- Holding the glass pane, lift slightly and pull towards the oven to release the glass panel.

**Note:** when glass is being removed, which side faces into the oven. Incorrect replacement may cause the glass to shatter or be damaged.



### Warning!

If the hinges are not locked properly and the inner glass is removed, the door can close by itself causing personal injuries.

## TROUBLESHOOTING

Here are answer to common problems you may experience. You are also welcome to call our toll free Customer Service line to troubleshoot any issue with your Bertazzoni:

**ENGLISH 866 905 0010**

if located in the US, BC, B, Sk and MB

**FRANCAIS 800 561 7265**

if located in ON, QC, PE, NU, NS, NL, NB

### **The oven will not operate**

Is there power to the range? Check the switch fuse or circuit breaker.

### **The oven does not heat**

Check that the showroom function is not activated.

### **The control knob are getting too hot**

Are you cooking with the oven door open? Keep the oven door shut when not in use or when grilling/broiling.

### **A control knob is loose on its shaft**

The knob retaining spring clip may have been damaged. Call our service department for advice and a replacement if necessary.

### **Food is cooking too quickly**

Are you using a convection mode? When using a fan-assisted oven cooking mode, it is recommended to reduce the cooking temperature by 70°F compared to conventional cooking.

### **Food is not cooking evenly**

Are you cooking large amount of food or are you using large bakeware? Air needs to circulate through the oven for even cooking. Remove the grill pan from the oven when not in use and always allow a gap on all four sides of dishes. You may need to turn your bakeware during the cooking cycle. Oversized baking sheets, roasting pans and cakeware will act as a baffle and prevent hot air from moving evenly around the cavity. Choose cooking equipment that allows a minimum of 1 inch ( 2,5 cm) space on all sides to allow the free movement of heat inside the cavity.

### **Grilling in the oven is slow**

Have you selected the correct function?

### **Condensation forms in the oven**

Have you pre-heated the oven?

Condensation is less likely to form when the oven or grill is pre-heated before use.

### **Smoke is generated in the oven**

Have you selected the right cooking temperature? Are you cooking food with high fat? Do you rarely use the grill? Have you cooked fat under the grill? Does the oven interior need to be cleaned? Remember to reduce the oven temperature by 70°F if using a fan function with a recipe designed for conventional cooking. Use high-sided dishes to contain fats and splashes. Leave the grill on for a few minutes after grilling or roasting to burn off fat deposits from the oven roof. Oven surfaces should be cleaned regularly to prevent build-up of cooking residues.

Please kindly register on our web site [www.bertazzoni.com](http://www.bertazzoni.com) to validate your new product warranty and help us to assist you better in case of any inconvenience.

## TWO YEAR LIMITED WARRANTY

The warranties provided by Bertazzoni Spa in this statement apply exclusively to Bertazzoni appliances and accessories sold as new products to the original owner by a Bertazzoni authorized distributor, retailer, dealer or service center and installed in the United States and Canada. The warranties provided in this statement are not transferable and have validity from the date of installation.

### Coverage information

Bertazzoni SpA will repair or replace any component part which fails or proves defective due to materials and/or workmanship within 2 years from the date of installation and under conditions of normal residential use. Repair or replacement will be free of charge, including labor at standard rates and shipping expenses. Repair service must be performed by a Bertazzoni Authorized Service Center during normal working hours.

### Cosmetic warranty

Bertazzoni will cover parts showing cosmetic defects in material and workmanship for a period of thirty (30) days from date of installation of the unit. This coverage will include scratches, stains, surface imperfections on stainless steel, paint and porcelain, with the exclusion of slight differences in color due to materials and painting/enamelling technologies.

**Exclusions are labor costs, B stock items, out-of-box appliances and display units.**

### How to obtain service

To obtain warranty service please contact Bertazzoni Customer Service at the numbers below and provide model number, serial number and date of purchase.

**ENGLISH 866 905 0010**

if located in the US, BC, B, Sk and MB

**FRANCAIS 800 561 7265**

if located in ON, QC, PE, NU, NS, NL, NB

Save proof of original purchase or of original installation to establish warranty period. Copy of the product serial tag is affixed to the back cover of the instruction manual.

### What is not covered

The product used in any commercial application  
Repair service provided by other than a Bertazzoni authorized service agency.  
Damage or repair service to correct service pro-

vided by an unauthorized agency or the use of unauthorized parts.

Installation not in accordance with local electrical codes, gas codes or plumbing codes.

Defects or damage due to improper storage of the product.

Defects or damage or missing parts on products sold out of the original factory packaging or from displays.

Service calls or repairs to correct the installation of the product and/or related accessories.

Service calls to connect, convert or otherwise repair the electrical wiring and/or gas line to properly use the product.

Service calls to provide instructions on the use of a Bertazzoni product.

Repair service due to product usage in manner other than what is normal and customary for home use.

Replacement of wear and tear parts

Replacement of glasses and light bulbs if they are claimed to have failed later than 30 days after installation and in no case later than 4 months after date of purchase

Defects and damages arising from accident, alteration, misuse, abuse, improper installation.

Defects and damages arising from transportation of the product to the home of the owner.

Defects and damage arising from external forces beyond the control of Bertazzoni SpA such as fire, flood, earthquakes and other acts of God.

**In case the product will be installed in a remote area, where certified trained technicians are not reasonably available, the customer will be responsible for the transportation costs for the delivery of the product to the nearest authorized service center or for the displacement costs of a certified trained technician.**

**Bertazzoni does not assume any responsibility for incidental or consequential damages.**

Some states do not allow the exclusion or limitation of incidental or consequential damages, so the above limitation or exclusion may not apply to you. This warranty gives you specific legal rights and you may also have other rights which may vary from state to state or province to province.





La garantie fournie par Bertazzoni Spa dans ce document s'applique exclusivement aux appareils et accessoires Bertazzoni vendus neufs au propriétaire d'origine par un distributeur, revendeur ou centre d'assistance autorisé par Bertazzoni, installé aux États-Unis ou au Canada. La garantie fournie dans ce document n'est pas cessible et entre en vigueur à la date d'installation.

### Informations sur la garantie

Bertazzoni Spa réparera ou remplacera tout composant en panne ou défectueux du fait des matériaux et/ou de la fabrication pendant 2 ans à compter de la date d'installation et uniquement dans le cadre d'un usage domestique normal. Les réparations ou remplacements ne seront pas facturés et comprennent la main-d'œuvre au taux standard et les frais de transport. Les réparations doivent être réalisées par un centre de maintenance autorisé par Bertazzoni, aux heures de travail normales.

### Garantie esthétique

La garantie offerte par Bertazzoni s'appliquera sur les composants présentant des défauts esthétiques liés aux matériaux et aux défauts de fabrication pendant trente (30) jours à compter de la date d'installation de l'appareil. Cette garantie inclut les rayures, taches, imperfections superficielles de l'acier inoxydable, des peintures et du revêtement émailé, à l'exception des légères différences de couleur dues aux matériaux et aux technologies de peinture/d'émailage.

**Les frais liés à la main-d'œuvre, les articles d'occasion, les appareils déballés, les articles de démonstration sont exclus du champ d'application de la garantie.**

### Comment faire appliquer la garantie

Pour faire appliquer la garantie, veuillez contacter le Service clients de Bertazzoni aux numéros ci-dessous en indiquant le numéro de modèle, le numéro de série et la date d'achat.

**ENGLISH 866 905 0010**

est situé dans US, BC, B, SK et MB

**FRANÇAIS 800 561 7265**

est situé dans ON, QC, PE, NU, NS, NL, NB

Conserver les documents attestant l'achat original ou l'installation originale afin de déterminer la période de garantie. Le numéro de série du produit est reproduit au dos du manuel d'instructions.

### Ce que la garantie ne couvre pas

Le produit utilisé dans un cadre commercial. Les réparations assurées par un opérateur autre qu'une agence spécialisée autorisée par Bertazzoni. Les dommages ou réparations effectués afin de

corriger une réparation réalisée par une société non autorisée ou l'utilisation de composants non autorisés. L'installation non conforme aux réglementations locales relatives à l'électricité, au gaz et à la plomberie.

Les défauts ou dommages dus à un entreposage inapproprié du produit.

Les défauts ou dommages ou pièces manquantes concernant des produits vendus sans leur emballage d'origine ou des produits de démonstration.

Les interventions ou réparations visant à rectifier l'installation du produit et/ou de ses accessoires. Les interventions visant à raccorder, convertir ou réparer le câblage électrique et/ou la conduite d'alimentation en gaz afin d'utiliser correctement le produit.

Les interventions visant à fournir des instructions sur l'utilisation d'un produit Bertazzoni.

Les réparations résultant d'une utilisation du produit autre qu'une utilisation normale et habituelle dans le cadre domestique.

Le remplacement des pièces d'usure. Le remplacement des ampoules d'éclairage en cas de défaillance au-delà des 30 jours suivant l'installation et en aucun cas au-delà de 4 mois après la date d'achat.

Les défauts et dommages résultant d'un accident, d'une altération, d'une mauvaise utilisation, d'un abus, d'une installation inappropriée.

Les défauts et dommages résultant de facteurs externes échappant au contrôle de Bertazzoni SPA, comme les incendies, les inondations, les tremblements de terre et autres cas de force majeure.

**Au cas où le produit serait installé dans une zone éloignée, où des techniciens formés ne pourraient raisonnablement se rendre, le client prendra à sa charge les frais d'expédition du produit jusqu'au centre de maintenance autorisé le plus proche ou les frais de déplacement d'un technicien formé et certifié.**

Bertazzoni décline toute responsabilité en cas de dommages indirects ou consécutifs à l'utilisation du produit.

Certains états n'autorisent pas l'exclusion ou la limitation de responsabilité en cas de dommages indirects ou consécutifs ; par conséquent, la limitation ou l'exclusion susmentionnée pourrait ne pas s'appliquer à votre cas. La présente garantie vous confère des droits juridiques spécifiques. Vous pourriez également bénéficier d'autres droits, susceptibles de varier d'un état ou d'une province à l'autre.

## RÉSOLUTION DES PROBLÈMES

Vous trouverez ci-après des solutions aux problèmes les plus fréquents. Vous pouvez aussi appeler le numéro vert de notre Service clients pour résoudre tout problème lié à votre cuisinière Bertazzoni :

**ENGLISH 866 905 0010**

est situé dans US, BC, B, SK et MB

**FRANÇAIS 800 561 7265**

est situé dans ON, QC, PE, NU, NS, NL, NB

### Le four ne démarre pas

La cuisinière est-elle sous tension ? Vérifier l'interrupteur à fusibles ou le disjoncteur.

### Le bouton de réglage est trop chaud

La porte du four reste-t-elle ouverte pendant la cuisson ?

La porte du four doit rester fermée en cas d'utilisation du four ou d'utilisation du grill.

### Un bouton de réglage s'est dévissé de son axe

Le clip à ressort de blocage est peut-être endommagé. Appeler notre Service d'entretien pour des conseils et, le cas échéant, un remplacement.

### Les aliments cuisent trop vite

Le mode de cuisson par convection est-il utilisé ? Lors de l'utilisation d'un mode de cuisson au four par convection, il est recommandé de réduire la température de 70°F (20°C) par rapport à la température habituelle.

### La cuisson n'est pas uniforme

De grandes quantités de nourriture sont-elles cuisinées, ou un plat à four de grande taille est-il utilisé ?

Pour une cuisson uniforme, l'air doit pouvoir circuler dans le four. Enlever le grill du four lorsqu'il n'est pas utilisé et toujours laisser un peu d'espace autour des plats. Il pourrait s'avérer nécessaire de tourner le plat pendant la cuisson. Les plaques de cuisson, plats à gratin et moules à gâteaux de taille excessive empêchent la bonne circulation de l'air chaud dans le four. Choisir des équipements de cuisson laissant un espace minimum d'1 pouce (2,5 cm) de chaque côté, pour permettre à la chaleur de circuler librement dans le four.

### Le grill du four est lent

La bonne fonction a-t-elle été choisie ?

### De la condensation se forme dans le four

Le four a-t-il été préchauffé ?

Il y aura moins de condensation si le four ou le grill est préchauffé avant l'utilisation.

### Le four génère de la fumée

La bonne température de cuisson a-t-elle été choisie ?

Une grande quantité de matières grasses est-elle utilisée ? Le grill est-il rarement utilisé ? Des aliments gras ont-ils été cuits sous le grill ? L'intérieur du four a-t-il besoin d'être nettoyé ?

Se rappeler de réduire la température du four de 70°F (20°C) en cas d'utilisation d'un mode de cuisson par convection pour une recette créée pour un mode de cuisson traditionnel. Utiliser des plats à bord haut pour contenir les graisses et éviter les éclaboussures. Laisser le grill allumé pendant quelques minutes après l'utilisation du grill ou de la rotissoire afin de brûler les dépôts de graisse présents sur la partie supérieure du four. Nettoyer régulièrement les surfaces du four pour éviter les dépôts de nourriture.

Veuillez vous inscrire sur notre site Internet

www.bertazzoni.com pour valider la garantie de votre nouveau produit et nous permettre de vous aider en cas de besoin.

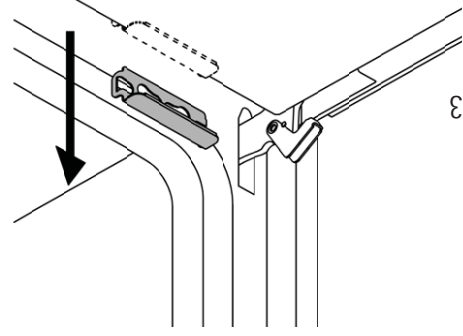
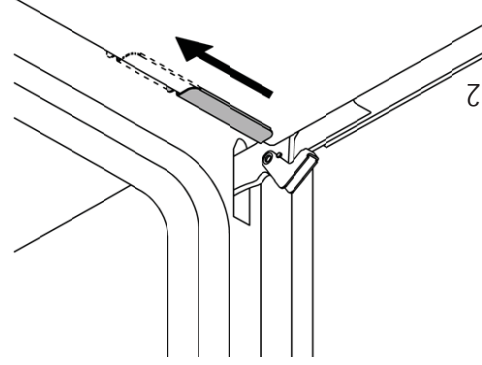
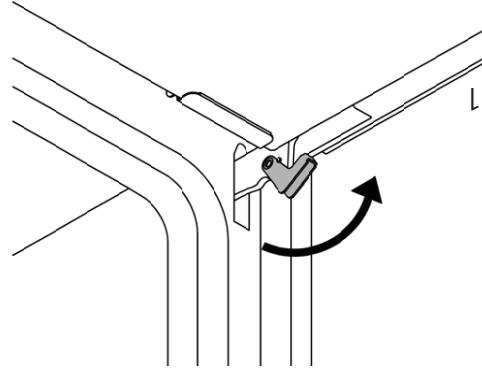
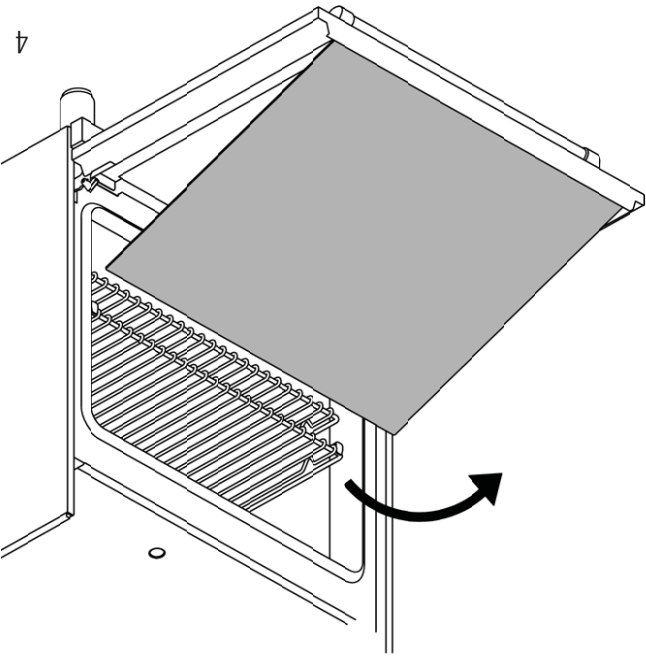


## NETTOYAGE DE L'INTÉRIEUR DE LA PORTE VITRÉE

Les panneaux intérieurs de la porte vitrée peuvent être aisément retirés pour être nettoyés. Il n'est pas nécessaire de démonter la porte pour nettoyer la vitre en verre. La vitre peut être nettoyée directement ou retirée.

- Ouvrir complètement la porte du four.
- Rabattre le clip de chaque charnière pour bloquer la porte en position ouverte. Un tournevis peut être nécessaire pour faire lever sur le clip.
- Faire glisser les clips vers le centre de la porte.
- En tenant la vitre en verre, la soulever délicatement et la tirer vers le four pour défaire le panneau en verre.

**Remarque:** lors du retrait de la vitre, il faut bien noter quelle face donne sur l'intérieur du four. Une mauvaise réinstallation peut briser ou endommager la vitre.



**Avertissement !**  
Si les charnières ne sont pas correctement bloquées, et que la vitre intérieure est démontée, la porte peut se refermer toute seule et causer des blessures.

## ENTRETIEN COURANT

/ Entretien courant

Ces opérations simples peuvent être réalisées par l'utilisateur de la cuisinière. Pour toute opération plus complexe, nous recommandons l'intervention d'un technicien de maintenance formé. Veuillez appeler notre Service d'assistance pour trouver les techniciens de maintenance proches de chez vous :

**ENGLISH 866 905 0010**

est situé dans US, BC, B, SK et MB

**FRANÇAIS 800 561 7265**

est situé dans ON, QC, PE, NU, NS, NL, NB

### REMPLACEMENT DES AMPOULES DU FOUR

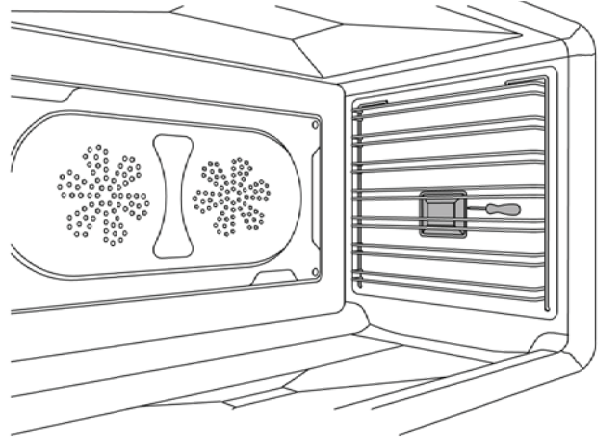
#### Avertissement ! Risque de décharge électrique !

Débrancher l'alimentation électrique au niveau du fusible principal ou du disjoncteur avant de remplacer l'ampoule. NE PAS toucher l'ampoule à mains nues. Nettoyer toute trace d'huile sur l'ampoule et la manipuler avec un linge fin.

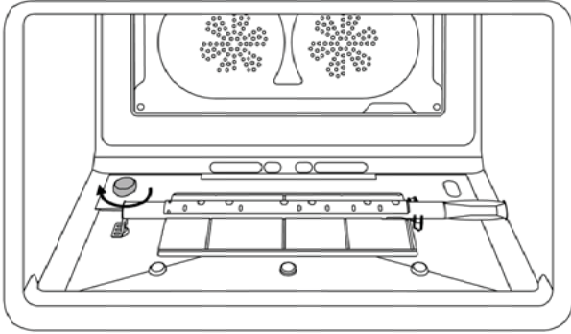
#### Lampe latérale du four

Type d'ampoule : halogène G9 120 V, 40 W

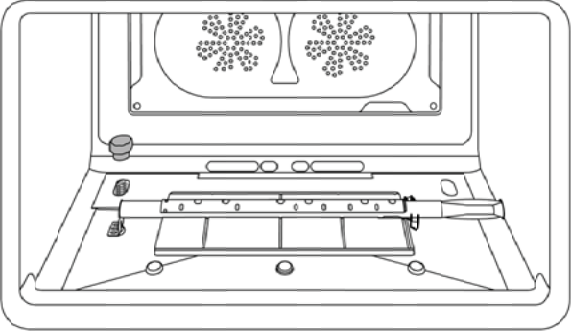
- S'assurer que les éléments chauffants sont éteints et entièrement refroidis. Débrancher la cuisinière de sa source d'alimentation électrique. Retirer la grille du four si celle-ci interfère avec le logement de l'ampoule.
- Glisser l'extrémité d'un tournevis plat entre la vitre de protection et le logement de l'ampoule. Faire délicatement levier avec l'extrémité du tournevis pour défaire la vitre de protection, en la maintenant en place avec les doigts pour éviter qu'elle ne tombe et ne se casse.
- Retirer la vitre de protection puis l'ampoule halogène. Insérer une nouvelle ampoule halogène dans le logement. NE PAS toucher l'ampoule à mains nues.
- Repositionner la vitre de protection en l'encasturant puis remettre en place la grille du four.
- Rebrancher le four à l'alimentation électrique.



1



1

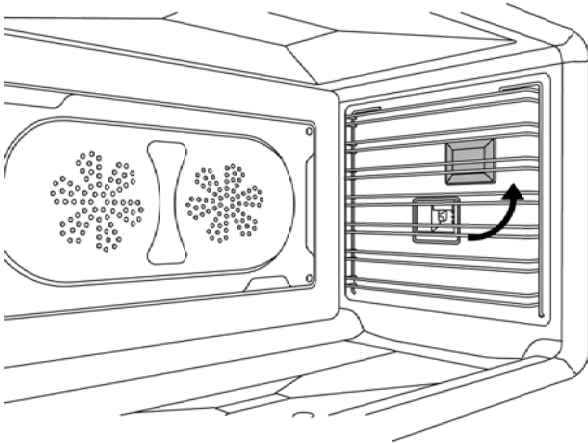


2

- S'assurer que les éléments chauffants sont éteints et entièrement refroidis. Débrancher la cuisinière de sa source d'alimentation électrique.
- Dévisser la vitre de protection puis retirer l'ampoule halogène.
- Insérer une nouvelle ampoule halogène dans le logement. NE PAS toucher l'ampoule à mains nues.
- Remettre en place la vitre de protection en la revissant.
- Rebrancher le four à l'alimentation électrique.

#### Lampe supérieure du four

Type d'ampoule : halogène G9 120 V, 40 W



2

**Risque de brûlure**

S'assurer que les éléments chauffants sont éteints et ont complètement refroidi avant d'effectuer toute opération de nettoyage et/ou d'entretien.

**Actions à ne pas faire :**

- N'utilisez pas de nettoyeur vapeur pour nettoyer la cuisinière : la vapeur pourrait entrer en contact avec des composants électriques et entraîner un court-circuit.
- Ne vaporisez pas de liquides tels que des produits nettoyeurs dans les ouvertures situées au bas et sur le dessus de la cavité du four.
- Les surfaces peuvent se décolorer ou être endommagées suite à l'utilisation de produits nettoyeurs inappropriés. L'avant du four, en particulier, peut être endommagé par les produits nettoyeurs pour four et les produits désincrustants. Toutes les surfaces sont sensibles aux rayures. Des rayures sur une surface vitrée peuvent entraîner une rupture. Éliminer immédiatement tout résidu à l'aide de produits nettoyeurs adaptés.
- Les éléments chauffants dans le four ne nécessitent pas de nettoyage. Ces éléments brûlent tous les résidus quand le four est utilisé.

**Nettoyage de l'acier inoxydable**

Toutes les parties en acier inoxydable doivent être nettoyées avec une solution d'eau chaude savonneuse après chaque cycle de travail. Les projections et déversements doivent être nettoyés immédiatement. Utiliser des produits nettoyeurs non abrasifs adaptés à l'acier inoxydable si de l'eau savonneuse ne suffit pas. NE PAS utiliser de laine d'acier, de linges abrasifs, de produits ou de poudres nettoyeurs. Si nécessaire, gratter l'acier inoxydable pour en retirer les incrustations ; pour cela, mouiller avec un chiffon humide et chaud pour ramollir le dépôt, puis utiliser une spatule en bois ou en nylon ou une raclette. NE PAS utiliser de couteau, de spatule ou tout autre ustensile en métal pour gratter l'acier inoxydable ! NE PAS laisser de jus de citron ou de tomate sur la surface en acier inoxydable, l'acide citrique pouvant décolorer de façon indélébile l'acier inoxydable.

**Nettoyage des surfaces peintes**

Nettoyer avec un linge doux, de l'eau chaude et du liquide vaisselle non abrasif. Tandis que la surface est encore humide, frotter avec un linge doux et propre.

**Nettoyage des surfaces en verre**

Nettoyer avec un produit nettoyant et de l'eau chaude. Les nettoyeurs pour vitre peuvent être utilisés pour éliminer les empreintes de doigts. En cas d'utilisation d'un nettoyeur pour vitre avec ammoniac, s'assurer qu'il ne dégraisse pas sur la surface extérieure de la porte.

**Nettoyage de la lèchêrite**

Nettoyer avec un produit nettoyant et de l'eau chaude. Pour les résidus incrustés, utiliser de la laine d'acier et du savon. Le revêtement émaillé est résistant aux acides, mais ceux-ci doivent être retirés dès que possible pour ne pas altérer la surface. Les aliments acides tels que les jus de citron, de tomate et de rhubarbe, le vinaigre, l'alcool ou le lait doivent être nettoyés et ne doivent pas rester sur la plaque de cuisson lors de l'utilisation suivante du four.

**Nettoyage de la surface de cuisson à induction**

Avant le nettoyage, laisser refroidir la surface jusqu'à ce que l'indicateur de chaleur résiduelle s'éteigne. Ne jamais utiliser de poudres ou de pâtes à recurer, de tampons à recurer métalliques, de produits nettoyeurs pour four ou tout produit de nettoyage abrasif sur la surface chaude. Nettoyer toute projection avant de réutiliser la surface de cuisson.

Pour un nettoyage léger, utiliser un linge doux imbibé d'eau chaude et de liquide nettoyant. Pour une finition sans traces, frotter avec un linge sec en microfibre. En cas de traces incrustées et pour un nettoyage optimal de la surface de cuisson, utiliser une crème ou un produit nettoyant de qualité destinés aux surfaces de cuisson, en suivant les instructions du fabricant. En cas de projection d'aliment présentant une teneur en sucre élevée, par exemple de la confiture, ou de fusion accidentelle de plastique ou d'alliages, éteindre la zone de cuisson et retirer immédiatement la projection.

Procéder avec la plus grande prudence car la zone de cuisson peut être brûlante.

**Nettoyage de la cavité du four**

- Toujours laisser l'intérieur du four refroidir avant le nettoyage.
- Ne pas laisser le vinaigre, le vin, le café, le lait, l'eau salée ou les jus de fruits rester longtemps en contact avec des surfaces émaillées, car ils pourraient tacher ou décolorer la surface.
- Ne jamais utiliser d'ustensiles pointus pour éliminer des saletés, cela pourrait rayer la surface.
- Ne jamais utiliser de nettoyeur vapeur à l'intérieur du four, la vapeur pourrait endommager les composants électroniques.
- Pour nettoyer la lampe du four, l'essuyer avec un linge doux imbibé d'eau chaude et de liquide nettoyant. En cas de résidus incrustés, utiliser une crème nettoyante et un tampon à recurer en nylon.
- Les produits nettoyeurs pour four doivent être utilisés conformément aux consignes du fabricant, mais il convient de veiller à ce qu'ils n'entrent pas en contact avec toute partie de la cuisinière en acier inoxydable, chromée, peinte ou en alliage, ou avec les éléments et les joints de la porte.

**Nettoyage des plaques et des supports du four**

Nettoyer avec un produit nettoyant et de l'eau chaude. Pour les résidus incrustés, utiliser de la laine d'acier et du savon.

## GUIDES TÉLESCOPIQUES

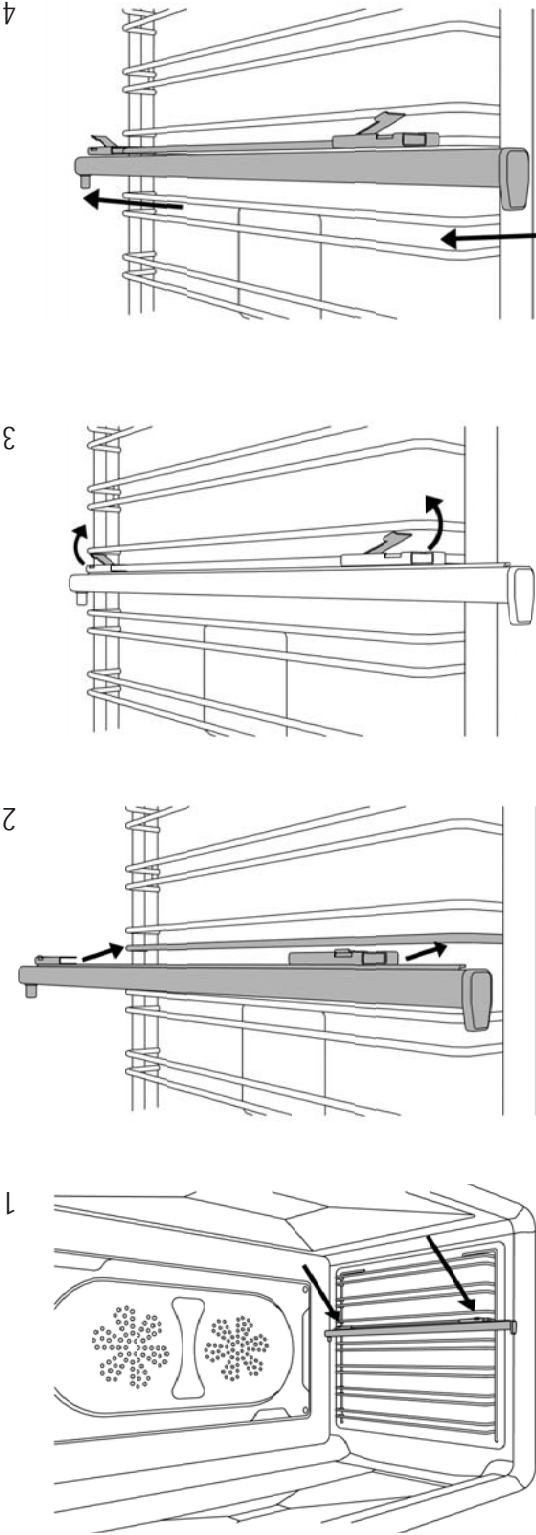
Les guides télescopiques s'adaptent à chaque niveau et aux grilles faisant partie des équipements standards.

### Montage des guides

- Localiser les deux clips à ressort à l'avant et à l'arrière des guides.
- Localiser la tige sur le guide ; elle indique l'arrière.
- Choisir le niveau adapté et positionner le guide télescopique à proximité de la grille supérieure.
- Insérer doucement le clip à ressort antérieur sur le guide.
- Insérer le clip à ressort postérieur sur le guide.
- Faire coulisser d'avant en arrière chaque guide pour s'assurer de son installation correcte et de son bon fonctionnement.
- Faire ressortir complètement les deux guides et poser la plaque du four sur ceux-ci, en s'assurant qu'elle est correctement positionnée entre les supports avant et arrière.

### Démontage des guides

- 1 - Localiser les deux clips à ressort à l'avant et à l'arrière des guides.
- 2 - Abaisser délicatement le clip à ressort antérieur.
- 3 - Éloigner le guide du côté du four ; veiller à ne pas forcer sur le clip.
- 4 - Répéter les étapes 2 et 3 sur le clip à ressort postérieur pour retirer le guide.

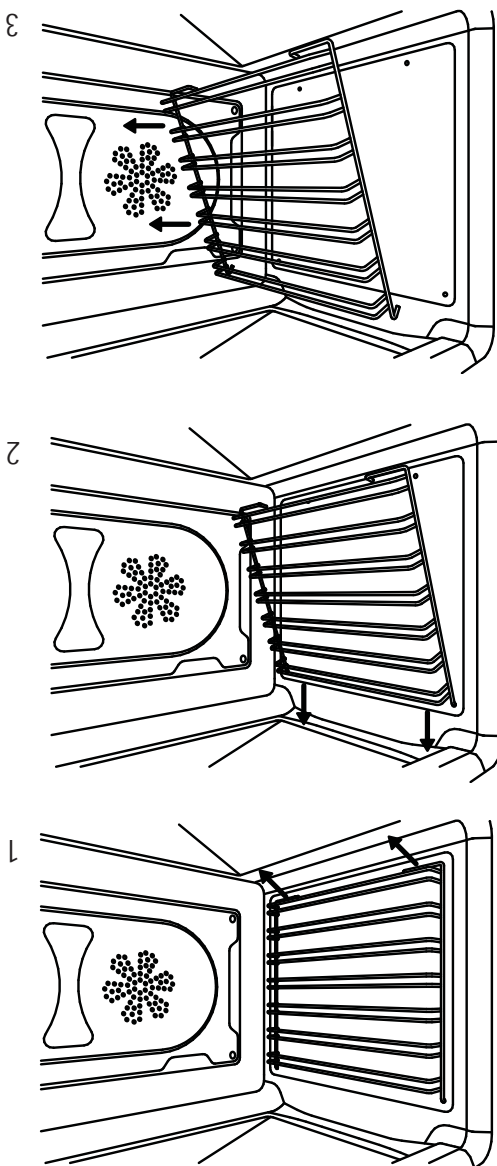




**À la fin du cycle d'auto-nettoyage**  
 Le cycle d'auto-nettoyage dure environ 2 h à 2 h 15 : 30 à 40 minutes pour préchauffer le four (voyants de préchauffage et de nettoyage tous les deux allumés), 60 minutes pour le nettoyage (voyant de chauffage et de nettoyage tous les deux allumés), 30 à 35 minutes pour le refroidissement (voyant de nettoyage allumé uniquement).  
 Lorsque le voyant CLEAN (Nettoyage) s'éteint, la porte du four est déverrouillée. Le verrouillage est désactivé lorsque la température du four descend en dessous de 460-500 °F/240-260 °C environ.  
 À la fin du cycle, mettre les deux sélecteurs de modes du four et la température sur la position OFF.

### ATTENTION

Lorsque le verrouillage automatique du cycle se désactivera et que la porte pourra être ouverte, l'intérieur du four sera toujours à une température de cuisson.



**Avant l'auto-nettoyage du four**  
 Essuyer les gros déversements, la graisse et toute saleté mobile pouvant facilement être retirée. Nettoyer toute saleté se trouvant en dehors de la zone des joints de la porte. L'appareil est conçu pour nettoyer l'intérieur du four et la portion de la porte qui fait face à la cavité du four. Les bords extérieurs de la porte et la cavité du four ne se trouvent pas dans la zone de nettoyage. Nettoyer cette zone avant de démarrer le cycle d'auto-nettoyage.  
 Retirer l'ensemble des ustensiles et grilles.  
 Veiller à ce que les ampoules d'éclairage et les vitres de protection soient en place.  
 Allumer la ventilation à hotte au-dessus de la cuisinière et la laisser allumée jusqu'à la fin du cycle d'auto-nettoyage (quand le voyant rouge s'éteint).

### Retrait des grilles

1. Repérer les deux crochets inférieurs de la grille et les tirer doucement vers le bas tous les deux en même temps.
2. Éloigner le bas de la grille du côté du four. Ensuite, pousser vers le haut les deux crochets supérieurs pour détacher complètement la grille du four.
3. Retirer la grille du four.

Insérer le capuchon de fermeture de la sonde dans le port situé en haut à gauche de la cavité du four.

### Verrouillage de la porte

Lorsque le cycle CLEAN (Nettoyage) démarre, le verrouillage automatique de la porte est activé. Vérifier que la porte est bien verrouillée. Vous pouvez arrêter le cycle d'auto-nettoyage en mettant le sélecteur des fonctions dans la position OFF.  
**Remarque:** veiller à ce que la porte du four soit verrouillée au début du cycle d'auto-nettoyage.

### Programmer/démarrer le cycle d'auto-nettoyage

1. Vérifier que la cavité du four est complètement vide et que la porte est correctement fermée.
2. Mettre le sélecteur des fonctions sur CLEAN (Nettoyage).
3. Mettre le sélecteur de température sur CLEAN (Nettoyage).

Après avoir suivi ces 3 étapes, les ventilateurs de refroidissement s'activeront, la porte du four se verrouillera automatiquement au bout de 60 secondes et les voyants de préchauffage et de nettoyage s'allumeront tous les deux.  
 Dès que le voyant de nettoyage s'allumera, vérifier que la porte est correctement verrouillée.

## Four électrique

Lorsqu'il est en mode CLEAN (Nettoyage), le four atteint une température élevée d'environ 840 °F/450 °C qui brûle tous les résidus de nourriture à l'intérieur du four.

Lorsque le four est réglé sur CLEAN, il est possible d'utiliser les brûleurs de la surface de cuisson. Il est normal de voir de la fumée ou des flammes pendant le cycle de nettoyage, selon le contenu et la quantité de résidus graisseux à l'intérieur du four. Si les flammes persistent, éteindre le four et le laisser refroidir avant d'ouvrir la porte et d'essuyer l'excès de résidus.

À la fin du cycle de nettoyage, il peut rester quelques cendres grises ou résidus brûlés dans le four. Il s'agit d'un dépôt minéral qui ne brûle et ne fond pas. La quantité de cendres dépend du degré d'encrassement du four avant son nettoyage. Elle est facile à retirer, quand le four est froid, à l'aide d'un essuie-tout, d'une éponge ou d'un chiffon humide.

Essuyer tout résidu de fumée restant sur le cadre frontal à l'aide d'un produit nettoyant adapté au nettoyage de la cavité du four. Si les taches persistent, utiliser un produit nettoyant doux liquide. La quantité de taches de fumée est directement liée à la quantité de résidus d'aliments présents dans la cavité du four avant le démarrage du cycle d'auto-nettoyage.

2. Régler la fonction et la température à l'aide des boutons.

3. Se servir des boutons « < » et « > » pour sélectionner MEAT PROBE (Sonde de cuisson).

4. Appuyer sur MODE.

5. Appuyer sur les boutons « < » et « > » pour sélectionner la température de cuisson souhaitée

et appuyer sur MODE.

6. Insérer les aliments à cuire dans le four, puis raccorder le connecteur de la sonde au port situé du côté supérieur gauche de la cavité du four.

7. L'écran affiche la température actuelle de la sonde de cuisson ainsi que la température programmée pour la sonde de cuisson.

8. Lorsque la température sélectionnée est atteinte, une tonalité est émise et le four est automatiquement éteint.

**Remarque:** Une fois qu'une fonction de temps est programmée, les autres fonctions de temps ne sont plus disponibles.

Selon la recette, le four peut être préchauffé avant l'utilisation de toute fonction de temps.

## AUTO-NETTOYAGE

### AVERTISSEMENT:

Les enfants ne doivent pas être seuls ou laissés sans surveillance à un endroit où les appareils sont utilisés.

• Pendant le cycle d'auto-nettoyage, les surfaces externes peuvent devenir plus chaudes que la normale. Des parties de l'appareil peuvent devenir dangereuses pour les enfants et pour toute personne qui ne possède pas les connaissances des appareils et les capacités de réaction suffisantes face à des situations potentiellement dangereuses.

Maintenir ces personnes à l'écart de l'appareil pendant l'auto-nettoyage et l'utilisation de l'appareil.

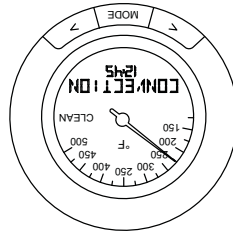
• L'élimination de la saleté pendant l'auto-nettoyage peut entraîner l'émission de faibles quantités de produits chimiques ou autres substances pouvant devenir dangereux après une longue exposition. Pour minimiser l'exposition à ces substances, veiller à bien aérer la pièce en ouvrant une fenêtre ou en utilisant un système de ventilation à ventilateur ou à hotte.

• Maintenir les oiseaux domestiques hors de la cuisine ou des autres pièces dans lesquelles les fumées de la cuisine peuvent pénétrer. Pendant l'auto-nettoyage, l'appareil produit des fumées pouvant être nocives pour les oiseaux.

## INDICATEUR DE TEMPÉRATURE DU FOUR

La cuisinière est équipée d'un dispositif indiquant la température au centre du four. This lets you check the temperature inside the oven and adjust food cooking temperatures more accurately.

When the oven is turned on, the heating elements will start working at maximum and the thermometer dial will start to move towards the set temperature. Heat is optimally distributed inside the oven when the thermometer dial has stopped and pre-heating is finished. Lorsque le four est éteint, la température qu'indique le thermomètre commencera à diminuer jusqu'à atteindre la température ambiante. La jauge est uniquement donnée à titre de référence.



La jauge est équipée d'une interface numérique qui indique les fonctions sélectionnées et gère les temps de cuisson.

### Régler la jauge:

1. Appuyer sur MODE.
2. Se servir des boutons « < » et « > » pour sélectionner SET-UP (Réglage).
3. Appuyer sur MODE.
4. Appuyer sur les boutons « < » et « > » pour sélectionner les fonctions souhaitées: langue, 12h/24h, heure, volume, vol. alarme, showroom. Langage (Langue): appuyer sur les boutons « < » et « > » pour sélectionner la langue souhaitée et appuyer sur MODE pour confirmer la sélection.

1. Appuyer sur les boutons « < » et « > » pour sélectionner l'affichage souhaité pour l'horloge et appuyer sur MODE pour confirmer la sélection.
- Time (Heure): appuyer sur les boutons « < » et « > » pour sélectionner l'heure souhaitée (main-tenir enfoncé le bouton pour passer en avance rapide) et appuyer sur MODE pour confirmer la sélection.
- Volume: appuyer sur les boutons « < » et « > » pour sélectionner le volume souhaité et appuyer sur MODE pour confirmer la sélection.
- Alarm vol. (Vol. alarme): appuyer sur les boutons « < » et « > » pour sélectionner le volume souhaité pour l'alarme et appuyer sur MODE pour confirmer la sélection.
- Showroom: fonction réservée à l'usage des vendeurs uniquement.

### Mode fin/différé:

1. Appuyer sur MODE.
  2. Appuyer sur les boutons « < » et « > » pour sélectionner le temps de cuisson souhaité et appuyer sur MODE.
  3. Appuyer sur M pour démarrer la cuisson, appuyer sur les boutons « < » et « > » pour programmer une heure de fin de cuisson différente (avec cette fonction, le temps programmé est la fin de la cuisson), puis appuyer sur MODE pour confirmer.
  4. Régler la fonction et la température à l'aide des boutons.
  5. Si le démarrage différé est programmé, l'écran affiche l'heure de début de cuisson, sinon le four s'allume.
  6. Une fois le temps de cuisson programmé terminé, un son est émis et le four est automatiquement éteint.
- Remarque:** pour modifier le temps sélectionné, recommencer à partir du point 1.

### Minuteur:

1. Appuyer sur MODE.
  2. Se servir des boutons « < » et « > » pour sélectionner TIMER (Minuteur).
  3. Appuyer sur MODE.
  4. Appuyer sur les boutons « < » et « > » pour sélectionner le temps souhaité et appuyer sur MODE.
  5. Le compte à rebours démarre immédiatement et l'écran affiche le temps restant.
  6. Une fois que le temps programmé s'est écoulé, un son est émis.
- Remarque:** pour modifier le temps programmé, recommencer à partir du point 1.
- Cette fonction est uniquement un bip minute et n'arrête pas le processus de cuisson.

### Sonde de cuisson

La sonde de cuisson vous permet de mieux contrôler la cuisson de vos plats en désactivant automatiquement le mode de cuisson spécifique lorsque la température souhaitée d'un plat, définie par le cuisinier, a été atteinte. La sonde indiquera la température interne de la viande pendant qu'elle est cuit.

Programmer la sonde de cuisson

1. Insérer la sonde dans l'alliment qui sera cuisiné. Pour obtenir des résultats optimaux, insérer la sonde aussi près que possible du centre de l'alliment et veiller à ce qu'elle ne soit pas en contact avec des os ou du gras. Un mauvais positionnement de la sonde pourrait éteindre le four trop tôt et entraîner une cuisson insuffisante. Pour la cuisson de volailles, veiller à ce que la sonde ne se trouve pas dans une cavité.



## RECOMMANDATIONS POUR LA CUISSON AU GRILL

Aliment	Sélecteur de réglage de la température	Temps de cuisson approximatif	Instructions spéciales et astuces
BœUF	Température fixe 500°F	15 à 20 minutes	Passer au grill jusqu'à ce que le centre ne soit plus rose
T-Bone	Température fixe 500°F	12 à 20 minutes	La durée dépend de la cuisson du steak
Bavette	Température fixe 500°F	12 à 20 minutes	Saignant ou à point
Rôti de rouelle	325°F	20 à 25 min/livre	Les petits rôtis demandent plus de temps par livre ; réduire la durée si la cuisson par convection est utilisée
Rôti de longe de PORC	325°F	20 à 25 min/livre	Poursuivre la cuisson jusqu'à ce que les jus soient clairs
VOLAILLE	Température fixe 500°F	20 à 25 minutes	Poursuivre la cuisson jusqu'à ce que les jus soient clairs
Déossée et sans peau			
Blancs de poulet			
Pilons de poulet	Température fixe 500°F	25 à 30 minutes	Enlever la peau ; poursuivre la cuisson jusqu'à ce que les jus soient clairs
Demi poulet	Température fixe 500°F	30 à 45 minutes	Tourner à l'aide de pinces ; poursuivre la cuisson jusqu'à ce que les jus soient clairs
Poulet rôti	350°F	75 à 90 minutes	Ne pas farcir ; réduire la durée si la cuisson par convection est utilisée
Dinde	325°F	20 à 25 min/livre	Ne pas farcir ; réduire la durée si la cuisson par convection est utilisée

## RÉSOLUTION DES PROBLÈMES LES PLUS FRÉQUENTS EN CAS DE CUISSON AU FOUR

Problème	Cause	Remède
----------	-------	--------

Gâteaux brûlés sur les côtés et pas assez cuits au centre	Four trop chaud	Réduire la température
Gâteaux craquelés sur le dessus	Pâte trop épaisse	Suivre la recette ou ajouter du liquide
	Four trop chaud	Réduire la température
	Récipient de mauvaise taille	Utiliser un récipient de la taille recommandée
Le dessous des aliments a noirci	Porte du four ouverte trop fréquemment	Contrôler les aliments à travers la vitre de la porte du four
	Position de la grille incorrecte	Utiliser la position de grille recommandée
	Mauvais réglage du four	Choisir la cuisson conventionnelle ou par convection, selon les besoins
Le dessus des aliments a noirci	Position de la grille incorrecte	Utiliser la position de grille recommandée
	Plaque à pâtisserie chaude	Laisser la plaque refroidir entre deux cuissons
Cookies trop aplatis	Four trop chaud	Réduire la température
Tartes brûlées sur les bords	Four non préchauffé	Laisser le four préchauffer
Tartes trop claires sur le dessus	Four pas assez chaud	Augmenter la température
	Four non préchauffé	Laisser le four préchauffer

## CONDENSATION

Il est normal qu'une certaine quantité d'humidité s'évapore des aliments lors de tout processus de cuisson. Sa quantité dépend de la teneur en eau des aliments. L'humidité se condensera sur les surfaces plus froides que l'intérieur du four, par exemple le panneau de commande.

### Utilisation de feuilles d'aluminium dans le four

Une feuille peut être utilisée pour couvrir les aliments dans le four, mais celle-ci ne doit pas se situer à proximité immédiate des éléments du four. Ne pas utiliser de feuilles d'aluminium pour recouvrir la cavité du four ou un récipient placé sur le grill. Les surfaces émaillées pourraient surchauffer, se déformer et se craqueler.

### OBTENIR LES MEILLEURS RÉSULTATS

- Réduire autant que possible le nombre d'ouvertures et de fermetures de la porte du four pendant son utilisation.

## RECOMMANDATIONS POUR LA CUISSON AU FOUR

Aliments	Taille du récipient de cuisson	Réglage de la température	Temps de cuisson total conseillé
----------	--------------------------------	---------------------------	----------------------------------

Cookies	Plaque à pâtisserie 12" x 15"	375°F	8 à 12 minutes
Gâteaux à étages	Moule à manqué 8" ou 9"	350°F	25 à 35 minutes
Gâteaux bas	Récipient de cuisson 9" x 13"	350°F	30 à 40 minutes
Gâteaux bundt	Plaque à 12 savarins	325°F	60 à 75 minutes
Brownies ou barres chocolatées	Récipient de cuisson 9" x 9"	325°F	20 à 25 minutes
Biscuits	Plaque à pâtisserie 12" x 15" ou instructions sur l'emballage	425°F	10 à 15 minutes
Pains éclair	Moule 8" x 4"	350°F	55 à 70 minutes
Muffins	Plaque à 12 muffins	425°F	14 à 19 minutes
Tartes aux fruits	Diamètre 9"	425°F	35 à 45 minutes
Clafoutis	Récipient de cuisson 9" x 9"	400°F	25 à 30 minutes
Pains à la levure ou miches	Moule 8" x 4"	375°F	25 à 30 minutes
Pains moelleux	Récipient de cuisson 9" x 13"	400°F	12 à 18 minutes
Roulés à la cannelle	Récipient de cuisson 9" x 13"	375°F	25 à 30 minutes
Gâteaux levés	Plaque à pâtisserie 12" x 15"	400°F	20 à 30 minutes

- Utiliser le niveau recommandé pour la recette et affiner le positionnement selon vos expériences passées.
- Utiliser le plat à four recommandé pour la recette. Entreposer le ou les tèche-frites hors du four. Un élément vide présent dans le four aura un impact sur la coloration et la cuisson des aliments.
- Pour obtenir des croûtes tendres et dorées, utiliser des récipients métalliques anti-adhérents/anodisés ou polis.
- Pour des croûtes foncées et croustillantes, utiliser des récipients foncés non-adhérents/anodisés ou en métal de couleur sombre ou un plat à four en verre. Ceux-ci peuvent nécessiter une température de cuisson plus faible de 25°F (14°C).
- Laisser un espace d'au moins 1" (25,4 mm) entre les récipients et les parois du four, de sorte que la chaleur puisse circuler entre chaque récipient.
- Pour garder le four aussi propre que possible, cuire la viande dans un plat à four plutôt que directement sur les plaques de cuisson.

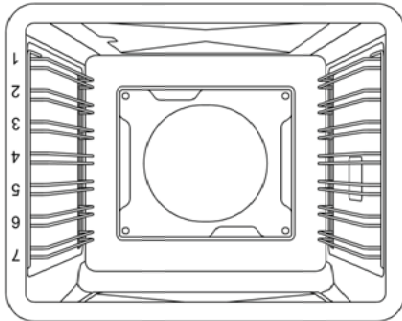
Uniquement disponible en modèle de 48"

### Attention!

Lors de la première utilisation du four, celui-ci doit être mis en marche pendant 15-30 minutes à une température d'environ 500 °F/260 °C sans rien cuire à l'intérieur, afin d'éliminer les éventuelles moisissures et odeurs d'isolation interne.

### POSITION DES PLAQUES

Les plaques sont montées sur les guides correspondants situés sur les côtés du compartiment du four. Insérer la plaque entre le guide supérieur et inférieur, dans l'une des 7 positions indiquées.



### VENTILATEUR DE REFOIDISSEMENT

Fonctionnement automatique du ventilateur de refroidissement  
La cuisinière est équipée d'un ventilateur de refroidissement contrôlé par thermostat pour éviter que le panneau de commande et les boutons ne surchauffent. Le ventilateur de refroidissement se met en marche lorsque la température du four augmente. Il s'éteint dès que la température baisse. **REMARQUE:** il est normal, pendant la ventilation et lorsque le four est allumé, que de l'air chaud soit expulsé dans la pièce.

### PRÉCHAUFFAGE DU FOUR

Le plus souvent, les temps de cuisson indiqués dans les recettes sont donnés pour un four préchauffé et nécessitent que le four soit déjà à la température requise avant d'y introduire les aliments. Le temps de préchauffage dépend du réglage de la température et du nombre de grilles présentes dans le four.

### UTILISATION DU FOUR

1. Positionner la grille à la hauteur souhaitée et fermer la porte.

2. Le four électrique est contrôlé par un thermostat électrique combiné à un interrupteur. Choisir la fonction/température correspondante au four à l'aide du bouton dédié. La lumière dans la cavité du four s'allumera

### MODES DE CUISSON AU FOUR

Le four est équipé de 3 éléments de chauffe, à utiliser seuls ou en combinaison pour créer différents modes de cuisson:

- Élément de cuisson supérieur
- Élément de cuisson inférieur
- Élément de cuisson au grill

Le réglage de la température et les temps de cuisson peuvent varier légèrement d'un four à un autre. Il est possible que les recettes et les temps de cuisson doivent être ajustés en conséquence.

### Cuisson (de 150°C à MAX)

*Chaleur produite par l'élément supérieur et l'élément inférieur*

Utiliser cette fonction pour les cuissons au four, les rôtis et les ragouts sur un seul niveau.  
• Cuisson au four standard: niveau 3 ou 4  
• Cuisson d'aliments hauts: niveau 3  
• Tartes : niveau 2 ou 3 pour une bonne cuisson du fond de tarte sans que le dessus ne brunisse trop.  
• Grosses pièces de viande ou volaille: niveau 2.

### Cuisson par le bas

*Chaleur produite par l'élément inférieur*

Avec cette fonction, la température est réglée au maximum (500 °F/260 °C).  
Utiliser sur un seul niveau.

- Cuisson au four standard : niveau 1 ou 2

### Élément de cuisson supérieur

*Chaleur produite par l'élément supérieur*

Avec cette fonction, la température est réglée au maximum (500 °F/260 °C).  
Utiliser sur un seul niveau.

Cuisson au four standard: niveau 5 ou 6

### Grill

*Chaleur produite uniquement par le grill*

La fonction «BROIL» (grill) génère une chaleur intense depuis le haut de la cavité. Le mode de cuisson au grill est efficace avec les aliments placés sur les niveaux supérieurs.

- Biftecks, steaks de viande hachée, côtelettes d'agneau d'1 pouce (3 cm) ou moins : niveau 6.
- Viandes épaisses d'1 pouce (3 cm) ou plus, poisson, volaille, côtelettes de porc, steaks de jambon d'1 pouce (3 cm) ou plus: niveau 5.
- Brunir des aliments: niveau 6 (pas plus de 15 minutes)

### Lumière

Utiliser cette fonction pour éclairer le four lorsque celui-ci est éteint (par exemple pour le nettoyer manuellement).

## Pizzas

*Chaleur produite par l'élément inférieur du four et l'élément circulaire, et convection par ventilateur*  
À utiliser pour la cuisson de pizzas, pâtisseries ou pains plats afin que le dessous soit parfaitement cuit.  
Utiliser le niveau 3 ou 2 pour que le dessous d'une pâte soit bien cuit.

## Grill

*Chaleur produite uniquement par le grill*

La fonction « BROIL » (grill) génère une chaleur intense depuis le haut de la cavité. Le mode de cuisson au grill est efficace avec les aliments placés sur les niveaux supérieurs.

- Biftecks, steaks de viande hachée, côtelettes d'agneau d'1 pouce (3 cm) ou moins : niveau 6.
- Viandes épaisses d'1 pouce (3 cm) ou plus, poisson, volaille, côtelettes de porc, steaks de jambon d'1 pouce (3 cm) ou plus : niveau 5.
- Brunir des aliments : niveau 6 (pas plus de 15 minutes)

## Grill à convection

*Chaleur produite par le grill avec convection par ventilateur*

Utiliser ce mode de cuisson pour brunir et cuire uniformément des aliments de tous les côtés, dessous compris. Il est également recommandé pour des aliments délicats et difficilement retournables, comme le poisson. Le ventilateur permet la circulation de l'air autour des aliments et une cuisson uniforme. Il est possible que le degré de cuisson de chaque côté soit différent.

Le mode de cuisson avec le grill à convection doit être utilisé sur un seul niveau :

- Saucisses et morceaux de poulet : niveau 5 ou 6.
- Aliments à teneur élevée en eau, comme le bacon et les côtelettes : niveau 5 ou 6 (porte fermée 400°F)

## Convection

*Chaleur produite par l'élément de convection et circulation de l'air par ventilateur*

Ce mode de cuisson peut être utilisé pour un grand nombre de recettes, en veillant à ajuster la durée de cuisson. En utilisant la convection, une durée inférieure est généralement nécessaire pour atteindre les résultats escomptés. La température est uniforme dans tout le four, ce qui est particulièrement adapté pour une cuisson sur plusieurs niveaux ou pour cuire une grande quantité d'un même produit.

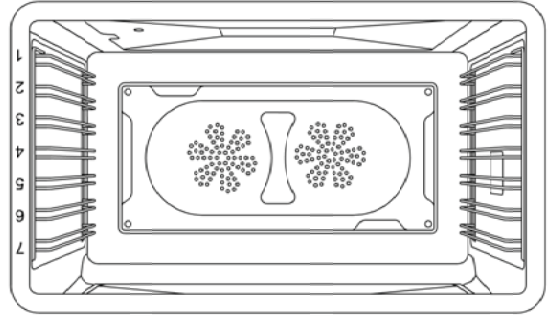
- Une seule grille : utiliser le même niveau que celui du mode de cuisson traditionnel.
- 2 plaques : utiliser les niveaux 3 et 5.
- 3 plaques : utiliser les niveaux 2, 4 et 6.

## FONCTIONS SPÉCIALES

## FOUR ÉLECTRIQUE À CONVECTION

**Attention !** Lors de la première utilisation du four, celui-ci doit être mis en marche pendant 15-30 minutes à une température d'environ 500°F/260 °C sans rien cuire à l'intérieur, afin d'éliminer les éventuelles moisissures et odeurs d'isolation interne.

**POSITION DES PLAQUES**  
Les plaques sont montées sur les guides correspondants situés sur les côtés du compartiment du four. Insérer la plaque entre le guide supérieur et inférieur, dans l'une des 7 positions indiquées.



### VENTILATEUR DE REFROIDISSEMENT

La cuisinière est équipée d'un ventilateur de refroidissement contrôlé par thermostat pour éviter que le panneau de commande et les boutons ne surchauffent. Le ventilateur de refroidissement se met en marche lorsque la température du four s'élève. Il s'éteindra dès que la température se sera abaissée.

**REMARQUE :** Il est normal pendant la ventilation et lorsque le four est allumé que de l'air chaud soit expulsé dans la pièce.

### PRÉCHAUFFAGE DU FOUR

Le plus souvent, les temps de cuisson indiqués dans les recettes sont donnés pour un four préchauffé et nécessitent que le four soit déjà à la température requise avant d'y introduire les aliments. Le temps de préchauffage dépend du réglage de la température et du nombre de grilles présentes dans le four.

### UTILISATION DU FOUR

1. Positionner la grille à la hauteur souhaitée et fermer la porte.
2. Choisir la fonction correspondante au four à l'aide du bouton dédié. La lumière dans la cavité du four s'allumera.
3. Régler la température à l'aide du bouton

### MODES DE CUISSON AU FOUR

Le four est équipé de 4 éléments de chauffe, à utiliser seuls ou en combinaison pour créer différents modes de cuisson :

- Élément de cuisson supérieur
- Élément de cuisson inférieur
- Élément de cuisson au grill
- Élément de cuisson par convection

Le réglage de la température et les temps de cuisson peuvent varier légèrement d'un four à un autre. Il est possible que les recettes et les temps de cuisson doivent être ajustés en conséquence.

### Cuisson au four

*Chaleur produite par l'élément supérieur et l'élément inférieur*

Utiliser cette fonction pour les cuissons au four, les rôtis et les ragouts sur un seul niveau.

- Cuisson au four standard : niveau 3 ou 4
- Cuisson d'aliments hauts : niveau 3
- Tartes : niveau 2 ou 3 pour une bonne cuisson du fond de tarte sans que le dessus ne brunisse trop.
- Grosses pièces de viande ou volaille : niveau 2.

### Cuisson par convection

*Chaleur produite par les éléments supérieur et inférieur du four avec convection par ventilateur*

Utiliser ce mode de cuisson pour faire cuire et rôtir différents aliments en même temps, sans transmission de goût. Le ventilateur fait circuler l'air chaud dans le four et assure la cuisson uniforme de grandes quantités de nourriture. Utiliser pour faire rôtir des légumes, de la viande, de la volaille ou du poisson. Ce mode de cuisson est idéal pour cuire des produits congelés et du poisson ou du poulet pané. Il peut être utilisé pour cuire des gâteaux, des cookies, des biscuits et d'autres aliments sur plusieurs niveaux.

Utiliser le même niveau que celui du mode « BAKE » (cuisson au four standard). En cas d'utilisation de 2 niveaux, utiliser les niveaux 3 et 5.

correspondant.

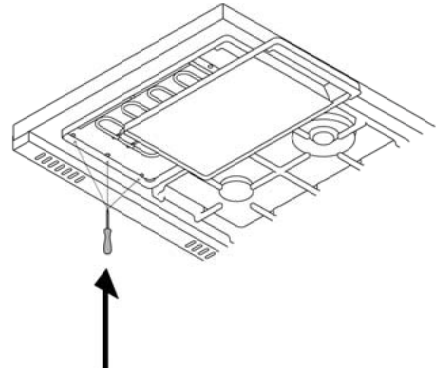


**Uniquement disponible en modèle de 48"**

Le grill électrique en acier inoxydable est fabriqué avec de l'acier inoxydable 3/16 pouces, idéal pour une rétention maximale de la chaleur. Procéder avec la plus grande prudence lors de l'utilisation du grill afin d'éviter tout risque de brûlure !

**RÉGLAGE DU GRILL**

- Vérifier le réglage de la plaque du grill en versant deux cuillères à soupe d'eau sur le dos de la plaque. L'eau doit s'écouler lentement dans le bac à graisses.
- Pour la régler, incliner la plaque du grill sur le côté.
- Régler les deux vis sur le dessous de la plaque. Commencer par tourner les vis d'un demi-tour dans le sens anti-horaire. Les réglages peuvent être affinis à hauteur d'un quart de tour après l'autre lorsque l'eau s'écoule dans le bac à graisses.



**PRÉPARATION DU GRILL**

Le grill en acier inoxydable doit être préparé avant d'être utilisé pour la première fois. Nous recommandons de commencer cette opération après une période d'inutilisation prolongée.

- Nettoyer le grill minutieusement à l'aide d'une solution d'eau chaude savonneuse, afin d'éliminer toute pellicule protectrice.
- Rincer avec un mélange d'1/4 de gallon (1 litre) d'eau et 1 tasse de vinaigre blanc, et sécher soigneusement.
- Verser 1 cuillère à soupe d'huile végétale au centre du grill. À l'aide d'un linge épais, répartir l'huile sur toute la surface du grill.

**TEMPÉRATURES DE GRILL RECOMMANDÉES**

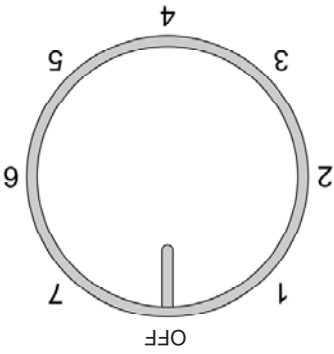
Aliments	Position du bouton	Réglage
----------	--------------------	---------

Eufs	3	300°F à 320°F (150° C à 160° C)
Bacon ; saucisse à déjeuner	3-4	350°F à 375°F (177° C à 190° C)
Sandwiches grillés	3	320°F à 350°F (160° C à 177° C)
Blancs de poulet	3-4	350°F à 375°F (177° C à 190° C)
Côtelettes de porc désossées (épaisseurs de 15 mm)	3-4	350°F à 375°F (177° C à 190° C)
Tranches de jambon (épaisseurs de 15 mm)	3-4	350°F à 375°F (177° C à 190° C)
Pancakes ; pain perdu	3-4	350°F à 375°F (177° C à 190° C)
Pommes de terre ; galettes de pommes de terre	4-5	375°F à 400°F (190° C à 205° C)

- Tourner le bouton de réglage sur la position maximum.
- Éteindre le grill dès que l'huile commence à fumer. Laisser le grill refroidir.
- Répéter l'étape 3 en appliquant de l'huile sur toute la surface. Éteindre le grill et le laisser refroidir.
- Frotter toute la surface du grill à l'aide d'un linge épais.
- Appliquer une très fine couche d'huile végétale. Le grill est désormais prêt à être utilisé. Attention, une trop grosse quantité d'huile peut l'endommager.

**UTILISATION DU GRILL ÉLECTRIQUE**

Appuyer sur le bouton (image 16) et le tourner dans le sens anti-horaire jusqu'à atteindre la position souhaitée. L'allumage du grill est signalé par le voyant qui se trouve aussi sur le devant de la cuisinière. Préchauffer à température maximale pendant 15 minutes, puis placer les aliments sur le grill et cuire à la température souhaitée.



Il est possible d'utiliser le grill électrique sans ajouter de beurre, de margarine ou d'huile. Cependant, il est préférable d'en ajouter ne serait-ce qu'en petite quantité pour donner plus de goût aux aliments.

**NE PAS** utiliser d'ustensiles en métal sur la surface du grill. Veiller à ne pas rayer ou entailler la surface avec des ustensiles.

**NE PAS** utiliser de couteaux pour couper directement sur la plaque du grill.



Brûleur	Diam. int. (mm)	Diam. récipient de cuisson	Utilisation
Auxiliaire	Ø 2"	Ø 3 1/2 - 5 1/2 (90-140 mm)	A utiliser avec des récipients de cuisson plus petits pour faire cuire à l'eau ou mijoter et pour la préparation de sauces.
Semi-rapide	Ø 2 3/4 (70 mm)	Ø 5 1/2 - 10 1/4 (140-260 mm)	A utiliser avec des récipients de cuisson de moyenne et petite taille pour des fritures normales ou des cuissons à l'eau.
Rapide	Ø 3 3/4 (95 mm)	Ø 7 1/8 - 10 1/4 (180-260 mm)	A utiliser avec des récipients de moyenne et grande taille pour frire ou obtenir une ébullition rapide.
Double interne/externe	Ø 1 11/16 - 5 1/2 (43-140 mm)	Ø 8 2/3 - 10 1/4 (220-260 mm)	A utiliser avec des woks, des grills et des poêles à frire, ou avec des récipients de cuisson de grande taille pour obtenir une ébullition rapide.

## DIMENSIONS DES BRÛLEURS À GAZ ET TAILLE RECOMMANDÉE DES RÉCIPENTS DE CUISSON

**REMARQUE :** En cas de coupure d'électricité, les brûleurs peuvent être allumés avec une allumette ou un allume-gaz. Les dispositifs de contrôle de flamme continueront à fonctionner normalement.

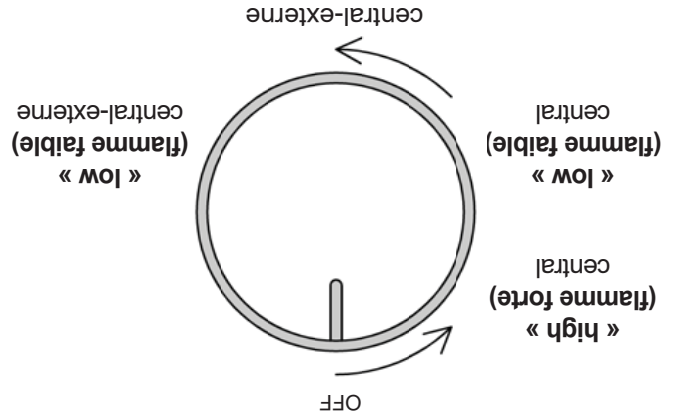
**Diffuseur mijoteur**  
Pour une cuisson à feu très doux, utiliser le diffuseur mijoteur émaillé. Pour certains modèles, le diffuseur mijoteur en fonte émaillée doit être acheté séparément. Le diffuseur mijoteur doit être utilisé avec des récipients de cuisson d'un diamètre inférieur à 4 pouces (10 cm).

**Woks**  
Les woks à fond plat ou rond, avec un anneau de support, peuvent être utilisés sur tous les modèles. Les woks à fond rond doivent être utilisés avec un anneau de support. Pour certains modèles, l'anneau de support du wok en fonte émaillée doit être acheté séparément.

## USTENSILES SPÉCIAUX

Un dispositif d'arrêt du gaz (thermocouple) sur chaque brûleur fait office de sécurité au cas où la flamme s'éteindrait accidentellement. Le thermocouple détecte l'absence de flamme et coupe l'alimentation en gaz. Le thermocouple doit être chauffé pendant quelques secondes lorsque le brûleur est allumé, avant que le bouton ne soit relâché.

## DISPOSITIF DE SÉCURITÉ D'ARRÊT DU GAZ - THERMOCOUPLE



**UTILISATION DU BRÛLEUR À FORTE PUISSANCE**  
Pour plus de polyvalence, le double brûleur à forte puissance peut être utilisé comme simple brûleur mijoteur si seul le brûleur central est allumé ou comme brûleur à forte puissance si le brûleur externe est également allumé. Pour allumer le brûleur central, appuyer sur le bouton de réglage et le mettre sur la position de flamme « HIGH » (forte) de l'anneau simple en le tournant dans le sens anti-horaire. Maintenir le bouton enfoncé pendant 5 à 10 secondes après l'allumage du brûleur puis le relâcher. Pour allumer également le brûleur externe, mettre le bouton sur la position de flamme « HIGH » (forte) du double anneau. Régler la flamme selon les nécessités.

La hauteur correcte de la flamme dépend :

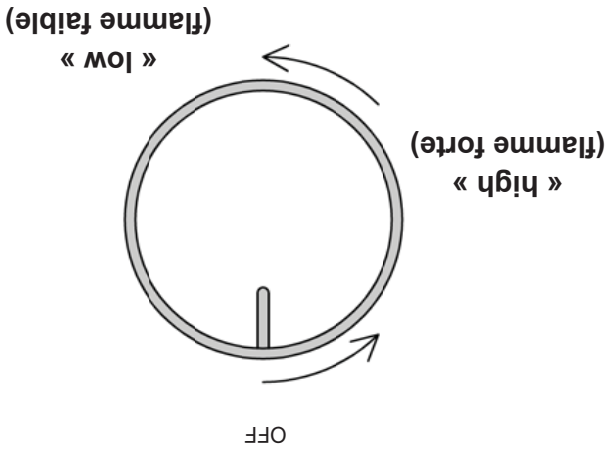
- de la taille et du matériau du récipient de cuisson utilisé.
- des aliments cuisinés.
- du volume de liquide dans le récipient de cuisson.

Ne jamais faire dépasser la flamme du fond du récipient de cuisson. Utiliser une flamme petite ou moyenne pour les récipients de cuisson faits dans un matériau qui conduit la chaleur lentement, comme l'acier à revêtement céramique ou la vitrocéramique.

Les bords de la flamme étant beaucoup plus chauds que le centre, les pointes de la flamme ne doivent pas dépasser du fond du récipient de cuisson. Les pointes de flamme qui dépassent du fond du récipient de cuisson émettent une chaleur superflue dans la pièce et peuvent abîmer les poignées du récipient et accroître le risque de blessure.

### UTILISATION DES BRÛLEURS À GAZ

- Appuyer sur le bouton de réglage et le mettre sur la position « HIGH » (flamme forte) en le tournant dans le sens anti-horaire.
- Maintenir le bouton enfoncé pendant 5 à 10 secondes après l'allumage du brûleur, puis le relâcher.
- Avec le bouton, régler la flamme selon les nécessités.



(flamme faible)

« low »

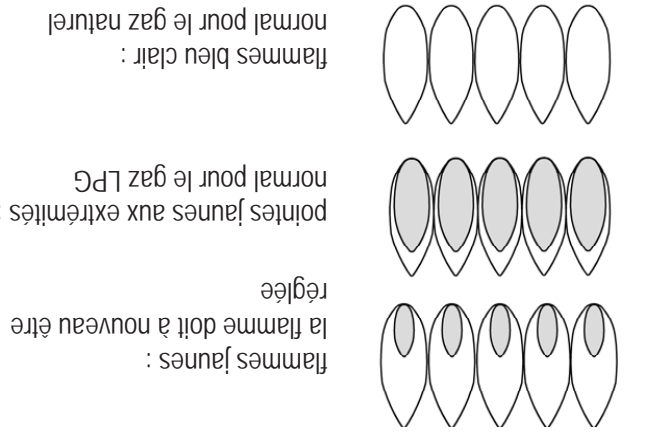
(flamme forte)

« high »

## CONTRÔLE DE LA COMBUSTION DE LA FLAMME

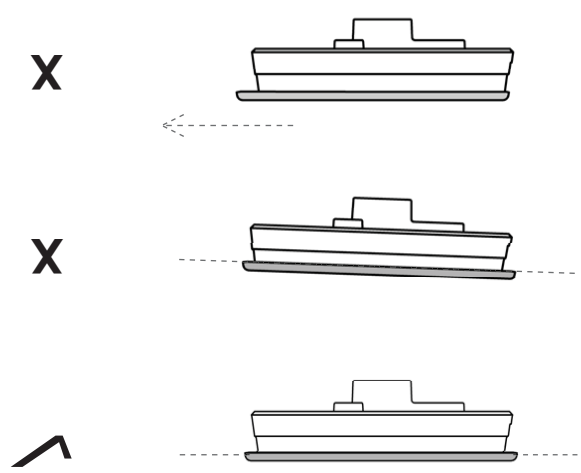
Les grilles des brûleurs doivent être correctement positionnées dans les renfoncements de la surface de cuisson.

- Avec du gaz propane (LPG), il est normal de voir de petites pointes jaunes sur les premières flammes.
- La combustion de la flamme doit être complète autour du chapeau du brûleur. Dans le cas contraire, vérifier que le chapeau est correctement positionné sur son support et que les orifices ne sont pas obstrués.
- La flamme doit être stable, sans bruit ni oscillation excessive. Elle doit être bleue, sans coloration jaune aux extrémités. Il n'est pas rare de voir de l'orange sur la flamme. Cela indique la combustion d'impuretés en suspension dans le gaz et disparaîtra pendant l'utilisation.



## CHAPEAUX ET GRILLES DES BRÛLEURS

Les brûleurs et les chapeaux des brûleurs doivent être correctement positionnés afin d'assurer le bon fonctionnement de la surface de cuisson.



## SURFACE DE CUISSON ET BOUTONS

/ Surface de cuisson et boutons

10 Élément chauffant  
1 Sélection des fonctions du four

2 Thermostat four  
3 Brûleur avant gauche  
4 Brûleur arrière gauche  
5 Brûleur avant droit  
6 Brûleur arrière droit

## Élément chauffant

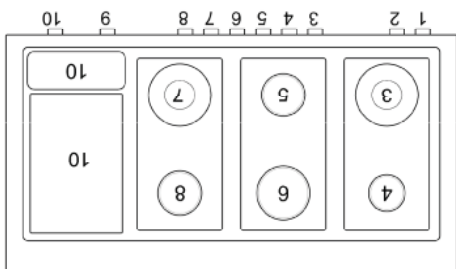
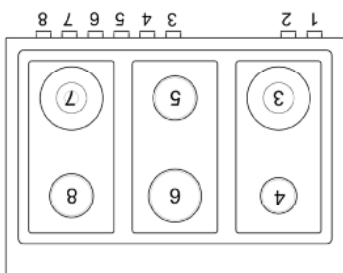
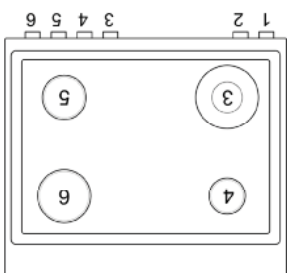
1 Brûleur avant gauche


2 Brûleur arrière gauche  
3 Brûleur avant gauche  
4 Brûleur arrière gauche  
5 Brûleur central avant  
6 Brûleur central arrière  
7 Brûleur avant droit  
8 Brûleur arrière droit

## Élément chauffant

1 Sélection des fonctions du four

2 Thermostat four  
3 Brûleur avant gauche  
4 Brûleur arrière gauche  
5 Brûleur central avant  
6 Brûleur central arrière  
7 Brûleur avant droit  
8 Brûleur arrière droit  
9 Thermostat four auxiliaire  
10 Grill électrique



 **AVERTISSEMENT:**  
Cancer et Troubles de l'appareil repro-  
ducteur  
www.P65Warnings.ca.gov.

**Risque de décharge électrique !**  
S'assurer que tous les boutons de réglage sont sur « OFF » et que le four est FROID avant le nettoyage. Le non-respect de cette consigne peut entraîner des brûlures ou une décharge électrique.  
NE PAS toucher l'ampoule électrique du four chaud avec un linge humide, cela pourrait la faire éclater. Si l'ampoule venait à se casser, débrancher l'alimentation électrique de la cuisinière avant de retirer l'ampoule afin d'éviter toute décharge électrique.  
Ne JAMAIS couvrir les orifices, fentes ou passages du fond de four, ni une grille entière avec des matériaux tels que des feuilles d'aluminium. Cela bloque la circulation de l'air dans le four et peut entraîner un empoisonnement au monoxyde de carbone. Les revêtements en feuille d'aluminium peuvent aussi emprisonner la chaleur et entraîner un risque d'incendie.

### Risque de brûlure

La porte du four, en particulier la vitre, peut devenir très chaude. NE PAS toucher la vitre de la porte du four !

### Avertissement – risque de basculement

Les enfants et les adultes peuvent faire basculer la cuisinière si celle-ci n'a pas été fixée au mur, ce qui pourrait entraîner des blessures mortelles.



Pour réduire le risque de basculement de l'appareil, celui-ci doit être fixé au moyen de dispositifs anti-basculement, conformément aux instructions d'installation. Remettre en place les dispositifs anti-basculement après tout déplacement de la cuisinière. Ne pas utiliser la cuisinière si les dispositifs anti-basculement ne sont pas en place et enclenchés. Ne pas utiliser la cuisinière si les dispositifs anti-basculement n'ont pas été correctement installés et enclenchés. Pour plus d'informations, consulter les instructions d'installation.

**Le non-respect des instructions d'installation peut occasionner des blessures graves, voire mortelles, aux enfants et aux adultes.**

- Les surfaces supérieures ou adjacentes à la cuisinière pourraient être suffisamment chaudes et causer des brûlures. Ne pas toucher la surface de cuisson tant que le voyant indiquant une chaleur résiduelle sur la surface vitrocéramique est allumé. Cela indique que la température dans la zone correspondante est encore élevée.
  - NE PAS CUISINER SUR UNE SURFACE DE CUISSON CASSÉE – En cas de rupture de la surface de cuisson, des solutions nettoyantes et des projections peuvent pénétrer dans la zone abîmée et générer un risque de décharge électrique. Contacter sans attendre un technicien qualifié.
  - Surveiller attentivement les enfants, qui pourraient ne pas voir les voyants indiquant une chaleur résiduelle. Même éteintes, les surfaces de cuisson restent chaudes pendant quelques temps après l'utilisation. S'assurer que les enfants ne puissent pas les toucher.
  - Ne JAMAIS utiliser de feuilles d'aluminium pour contenir la nourriture cuisinée sur une surface de cuisson vitrocéramique.
  - Ne jamais poser de récipients de cuisson aux fonds irréguliers ou abîmés sur la surface de cuisson. En cas de chute d'un récipient lourd sur la surface de cuisson, celle-ci ne se cassera pas. En revanche, si un objet dur tel que la saïère ou un bocal à épices percute le bord ou l'angle de la surface de cuisson, la surface de cuisson pourrait se casser.
  - Ne jamais utiliser la surface de cuisson vitrocéramique comme support.
  - Utiliser uniquement des produits de nettoyage fabriqués spécialement pour des surfaces de cuisson vitrocéramiques.
  - Les objets métalliques, tels que des couverts ou des couvercles, ne doivent jamais être posés sur la surface de cuisson car ils pourraient devenir brûlants.
- Interférences radio – Cuisinières à induction**
- Cette cuisinière génère, utilise et peut émettre de l'énergie radioélectrique ; si elle n'est pas installée et utilisée conformément aux instructions, elle peut entraîner des interférences avec les communications radio. Aucune garantie ne peut cependant être donnée quant à l'absence d'interférences pour une installation donnée. Si la cuisinière génère effectivement des interférences dommageables à la bonne réception de la radio ou de la télévision, ce qui peut être vérifié en allumant et en éteignant la cuisinière, l'utilisateur est invité à tenter de remédier aux interférences en adoptant une ou plusieurs de ces mesures :
- Réorienter ou repositionner l'antenne de réception.
  - Augmenter la distance entre la cuisinière et l'appareil récepteur.
  - Brancher la cuisinière à une prise appartenant

- Ne JAMAIS toucher les zones proches des brûlures du four et du grill ou les surfaces intérieures du four. Les brûlures du four et du grill peuvent être chauds même s'ils sont noirs. Les zones à proximité des brûlures et les surfaces intérieures du four peuvent devenir très chaudes et causer des brûlures.
  - Pendant et après l'utilisation, NE PAS toucher ou laisser de vêtements ou tout autre matériau inflammable entrer en contact avec des éléments chauffants, avec les zones près de ces éléments ou avec des surfaces intérieures du four tant qu'ils n'ont pas suffisamment refroidi. D'autres surfaces du four peuvent devenir très chaudes et causer des brûlures, comme les orifices de ventilation du four, la surface près de ces orifices et la fenêtre de la porte du four.
- Éléments chauffants du four**
- Ne JAMAIS toucher les zones proches des brûlures du four et du grill ou les surfaces intérieures du four. Les brûlures et les surfaces intérieures du four peuvent devenir très chaudes et causer des brûlures.
  - Pendant et après l'utilisation, NE PAS toucher ou laisser de vêtements ou tout autre matériau inflammable entrer en contact avec des éléments chauffants, avec les zones près de ces éléments ou avec des surfaces intérieures du four tant qu'ils n'ont pas suffisamment refroidi.
  - Eteindre l'appareil et attendre que toutes ses parties aient refroidi avant de les toucher ou de les nettoyer. NE PAS toucher les grilles des brûlures ou les zones adjacentes avant qu'elles n'aient suffisamment refroidi.
  - La cuisinière doit être nettoyée avec précaution. Pour éviter les brûlures dues à la vapeur, NE PAS utiliser d'éponge ou de linges humides pour nettoyer la cuisinière tant qu'elle est chaude. Certains produits nettoyants génèrent des fumées nocives en cas de contact avec une surface chaude. Suivre les consignes données par le fabricant du produit nettoyant.
  - NE PAS nettoyer, frotter, abîmer, déplacer ou retirer le joint de la porte. Il est essentiel afin de garantir une fermeture hermétique lors de l'utilisation du four. Si le joint est usé ou excessivement sali par des particules alimentaires, il doit être remplacé afin de garantir une bonne étanchéité.
- Précautions à prendre en cas de coupure d'électricité**
- Pour des raisons de sécurité liées au risque de blessure en cas de tentative d'allumage et d'extinction des brûlures du four, le grill et le brûleur du four ne doivent pas être utilisés en cas de coupure d'électricité. Le bouton de réglage du four doit toujours rester sur « OFF » pendant une coupure d'électricité. Ne JAMAIS utiliser la cuisinière comme appareil de chauffage ou pour chauffer une pièce, afin d'éviter tout danger potentiel pour l'utilisateur et tout dommage à la cuisinière. De même, NE PAS utiliser le dessus de la cuisinière ou le four comme espace de stockage pour de la nourriture ou des ustensiles de cuisine.



de la porte du four. Ceux-ci pourraient s'enflammer et entraîner des brûlures.

- TOUJOURS mettre en place les grilles du four aux niveaux souhaités pendant que le four est froid. Utiliser des maniques sèches et résistantes pour manipuler les grilles du four ou pour introduire ou retirer les aliments à cuire.
- TOUJOURS éviter d'introduire les mains dans le four pour ajouter ou retirer des aliments. Si une grille doit être manipulée alors qu'elle est chaude, utiliser une manique sèche.
- TOUJOURS éteindre le four une fois la cuisson terminée.
- Manipuler la porte du four avec précaution. Laisser l'air chaud ou la vapeur sortir avant d'introduire ou de retirer des aliments.
- NE PAS cuire directement sur le fond de four. Cela pourrait endommager la cuisinière. Toujours utiliser les grilles en cas de cuisson au four.

Ne pas brancher d'appareils aux prises situées au-dessus ou à proximité de la surface de cuisson à induction. L'isolation du cordon d'alimentation pourrait fondre en cas de contact avec la chaleur et entraîner des blessures et des dommages matériels.

### Ustensiles recommandés

- Utiliser des récipients de cuisson à fond plat, dotés de poignées faciles à manipuler et non conductrices de chaleur. Éviter d'utiliser des récipients de cuisson instables, gauchis, avec des poignées desserrées ou se renversant facilement. Éviter également d'utiliser des récipients de cuisson, notamment de petite taille, avec des poignées lourdes, car ils pourraient être instables et se renverser facilement. Les récipients de cuisson sont très lourds une fois remplis et peuvent être dangereux.
- S'assurer que l'ustensile utilisé est assez grand pour contenir toute la nourriture sans déborder. La taille du récipient de cuisson est fondamentalement en cas de friture. S'assurer que le récipient de cuisson sera adapté au volume de nourriture prévu ainsi qu'au bouillonnement produit par la matière grasse.
- Pour réduire le risque de brûlures, d'inflammation de matériaux inflammables et de déversement lié à un contact involontaire avec l'ustensile, NE PAS placer les poignées au-dessus des brûleurs adjacents. TOUJOURS tourner les poignées du récipient de cuisson vers le côté ou l'arrière de la cuisinière et non pas vers la pièce, où elles pourraient être facilement touchées ou saisies par de jeunes enfants.
- Ne JAMAIS laisser un récipient de cuisson chauffer à sec ; cela pourrait abîmer l'ustensile et la cuisinière.
- Suivre les consignes du fabricant en cas d'utilisation de sacs de cuisson.
- Seuls certains types d'ustensiles en verre, vitrocéramique, céramique ou matériau émaillé sont adaptés à une utilisation sur les brûleurs de surface ou dans le four, sans risque de rupture due à un choc thermique. Suivre les instructions du fabricant en cas d'utilisation de verre.

- Une fois la cuisinière installée conformément aux instructions d'installation, il est important de veiller à ce que l'arrivée d'air ne soit pas obstruée. L'utilisation d'un appareil de cuisson à gaz génère de la chaleur et de l'humidité dans la pièce où il est installé.
- S'assurer que la cuisine est correctement ventilée. Veiller à ce que les orifices de ventilation naturels restent ouverts ou installer une ventilation mécanique. L'utilisation prolongée ou intensive de la cuisinière peut nécessiter une ventilation supplémentaire (par ex. l'ouverture d'une fenêtre) ou plus efficace (par ex. une ventilation mécanique de capacité supérieure).
- Ne JAMAIS utiliser de feuilles d'aluminium pour couvrir les grilles ou le fond de four. Cela pourrait entraîner un risque de décharge électrique, d'incendie ou de dommage à la cuisinière. Les feuilles d'aluminium doivent être utilisées conformément aux consignes données dans ce manuel.
- Pour éliminer tout risque lié aux brûleurs de surface chauds, ne pas positionner de placards directement au-dessus de la cuisinière. La température pourrait se révéler dangereuse pour certains éléments, par exemple des liquides volatils, des produits nettoyants ou des bombes aérosols.
- TOUJOURS placer un récipient de cuisson sur un brûleur de surface avant de l'allumer. S'assurer de savoir à quel bouton correspond chaque brûleur de surface. S'assurer que le brûleur correct est allumé. Une fois la cuisson terminée, éteindre le brûleur avant de retirer le récipient de cuisson pour éviter de s'exposer à une flamme.
- Veiller à TOUJOURS régler la flamme du brûleur de sorte qu'elle ne dépasse pas du fond du récipient de cuisson. Une flamme excessive est dangereuse, gaspille de l'énergie et peut endommager la cuisinière, le récipient de cuisson ou les placards situés au-dessus de la cuisinière. Ces consignes sont données à des fins de sécurité.
- Ne JAMAIS laisser une opération de cuisson en surface sans surveillance, notamment en cas de cuisson à haute température ou de friture. Les températures excessives génèrent des fumées et des projections grasses peuvent s'enflammer. Nettoyer les projections de grasse dès que possible. NE PAS cuire à haute température pendant de longs moments.
- NE PAS faire chauffer de contenueurs alimentaires fermés. L'accumulation de pression peut faire exploser le conteneur et engendrer des blessures. TOUJOURS laisser refroidir les substances grasses utilisées pour la friture avant de les déplacer ou de les manipuler.
- Ne JAMAIS porter de vêtements réalisés dans des matières inflammables, non attachés ou à manches longues pendant une cuisson. Les vêtements peuvent s'enflammer ou s'accrocher aux poignées d'un ustensile. NE PAS positionner de serviettes ou autres éléments sur les poignées

### Sécurité en cuisine



Un technicien certifié devra intervenir pour tout réglage ou conversion aux gaz naturel ou LPG.

### **Pour prévenir les incendies ou les dommages liés à la fumée :**

- S'assurer que tous les matériaux d'emballage ont été retirés de la cuisinière avant son utilisation.
- Ne jamais laisser de vêtements, de maniques ou d'autres matériaux inflammables entrer en contact avec un élément, brûleur de surface ou grille de brûleur, tant qu'il n'a pas refroidi, ou à proximité immédiate de ce type d'élément.
- Si la cuisinière est installée près d'une fenêtre, prendre les précautions adaptées pour empêcher les rideaux de passer au-dessus des brûleurs.
- Ne jamais laisser d'objets sur la surface de cuisson. L'air chaud sortant de l'orifice de ventilation peut enflammer des objets inflammables ou augmenter la pression dans des contenants fermés et les faire exploser.
- Un grand nombre de bombes aérosol sont hautement inflammables et peuvent EXPLOSER en cas d'exposition à la chaleur. Éviter de les entreposer ou de les utiliser près de la cuisinière.

### **En cas d'incendie**

- Éteindre la cuisinière et la hotte d'extraction pour empêcher la diffusion des flammes. Éteindre les flammes puis rallumer la hotte pour éliminer la fumée et les odeurs.
- Surface de cuisson : Pour étouffer un feu ou des flammes dans une casserole, utiliser un couvercle ou une plaque à pâtisserie.
- Ne JAMAIS se saisir ou déplacer une casserole enflammée.
- Four : Pour étouffer un feu ou des flammes, fermer la porte du four. NE PAS utiliser d'eau sur des graisses enflammées. Utiliser du bicarbonate de soude, un extincteur à poudre chimique ou à mousse pour éteindre un feu ou des flammes ou, le cas échéant, un extincteur à poudre chimique ou à mousse seuls ou sans surveillance près de la cuisinière lorsque celle-ci est en fonctionnement ou encore chaude.
- Ne JAMAIS laisser d'enfants seuls ou sans surveillance près de la cuisinière.
- Ne JAMAIS laisser d'enfants s'asseoir ou marcher sur des éléments de la cuisinière, car ils pourraient être blessés ou brûlés.
- NE PAS placer d'objets susceptibles d'intéresser les enfants sur la cuisinière. Ils pourraient être gravement blessés en tentant de grimper pour atteindre ces objets.

### **Sécurité des enfants**

- NE PAS placer d'objets susceptibles d'intéresser les enfants sur la cuisinière. Ils pourraient être gravement blessés en tentant de grimper pour atteindre ces objets.

Les avertissements et les consignes de sécurité contenus dans ce manuel ne couvrent pas toutes les situations et conditions susceptibles de survenir. Procéder avec bon sens et attention et avec le plus grand soin lors de l'installation, de l'entretien ou de l'utilisation de l'appareil.

**Les instructions doivent avoir été lues et comprises avant toute utilisation de l'appareil, afin d'éviter les risques potentiels d'incendie, de décharge électrique, de blessures ou de dommages à l'appareil résultant d'une utilisation inappropriée. L'appareil doit uniquement être utilisé aux fins prévues et décrites dans ce manuel.**

Ranger soigneusement ce manuel pour toute consultation future par l'inspecteur électrique local. Après avoir lu ces instructions, les ranger soigneusement en vue d'une future consultation. Respecter les réglementations, normes et lois en vigueur.

### **Avertissement !**

Pour éviter les risques de lésion, de blessure mortelle ou de dommages aux biens, suivre scrupuleusement les informations contenues dans ce manuel visant à prévenir les incendies ou les explosions. NE PAS entreposer ou utiliser de l'essence ou d'autres liquides et vapeurs inflammables à proximité de l'appareil.

### **Que faire en cas d'odeur de gaz :**

**N'allumer aucun appareil. Ne toucher aucun interrupteur électrique. N'utiliser aucun téléphone dans l'habitation. Appeler immédiatement le fournisseur de gaz depuis le téléphone d'un voisin. Suivre les instructions du fournisseur de gaz. S'il n'est pas possible de joindre le fournisseur de gaz, appeler le service des pompiers.**

REMARQUE : L'installation et l'entretien doivent être réalisés par un installateur qualifié, une agence spécialisée ou un fournisseur de gaz.

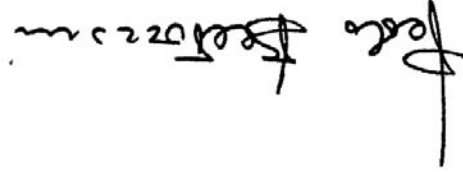
### **Massachusetts :**

Tout appareil au gaz doit être installé par un plombier ou un installateur de gaz agréé par l'état. Une vanne manuelle de gaz à poignée de type « T » doit être installée sur la conduite d'alimentation en gaz de l'appareil.

Pour un fonctionnement correct et en toute sécurité : l'appareil doit être correctement installé et mis à la terre par un technicien qualifié. NE PAS tenter de régler, réparer, réviser ou remplacer un composant de l'appareil à moins que le présent manuel ne le recommande spécifiquement. Toute autre intervention doit être réalisée par un opérateur qualifié. L'installateur montrera l'emplacement de la vanne de fermeture du gaz et les modalités d'arrêt en cas d'urgence.

## TABLE DES MATIÈRES

4	AVERTISSEMENTS
8	SURFACE DE CUISSON ET BOUTONS
9	SURFACE DE CUISSON À GAZ
9	Chapeaux et grilles des brûleurs
9	Contrôle de la combustion de la flamme
9	Utilisation des brûleurs à gaz
10	Utilisation du brûleur à forte puissance
10	Dispositif de sécurité d'arrêt du gaz – thermocouple
10	Ustensiles spéciaux
10	Dimensions des brûleurs à gaz et taille recommandée des récipients de cuisson
11	FOUR ÉLECTRIQUE À CONVECTION
11	Position des plaques
11	Ventilateur de refroidissement
11	Préchauffage du four
11	Utilisation du four
11	Modes de cuisson au four
12	Fonctions spéciales
13	Condensation
13	Obtenir les meilleurs résultats
13	Recommandations pour la cuisson au four
14	Recommandations pour la cuisson au grill
14	Résolution des problèmes les plus fréquents en cas de cuisson au four
15	Indicateur de température du four
15	Guides télescopiques
16	NETTOYAGE DE VOTRE CUISINIÈRE BERTAZZONI
17	ENTRETIEN COURANT
17	Remplacement des ampoules du four
18	Nettoyage de l'intérieur de la porte vitrée
19	RÉSOLUTION DES PROBLÈMES
20	GARANTIE LIMITÉE DE DEUX ANS



Nous vous souhaitons de profiter pleinement de toutes ses possibilités !

Grâce à ce manuel, vous apprendrez à utiliser la cuisinière de façon sûre et efficace et à l'entretenir correctement, pour qu'elle vous apporte la plus grande satisfaction lors des années à venir.

Nos appareils sont conçus selon les standards de sécurité et de performance les plus rigoureux qui soient sur le marché européen et nord-américain. Nous utilisons les techniques de fabrication les plus modernes. Chaque appareil quitte l'usine après une inspection et un contrôle qualité minutieux. Nos distributeurs et nos partenaires se tiennent à votre disposition pour répondre à toute question concernant l'installation, l'utilisation et l'entretien de votre cuisinière Bertazzoni.

Nous espérons que vous aurez le même plaisir à utiliser cette cuisinière que nous en avons eu à la fabriquer. Notre famille fabrique des appareils de cuisson depuis 1882. Chacun de nos produits est synonyme de technologie de pointe et de design italien. Nous ne pouvons pas nous substituer à votre talent unique dans la préparation de délicieuses recettes pour votre famille, vos amis et vous-mêmes, mais nous faisons de notre mieux pour rendre la cuisine plus facile, plus efficace et encore plus plaisante. Notre intention est également de faire en sorte que votre cuisine soit la plus belle possible.

Cher nouveau propriétaire d'un produit Bertazzoni,  
Je souhaite vous remercier d'avoir choisi l'un de nos magnifiques appareils pour votre habitation. Nous savons que le choix est vaste en raison des nombreux produits et marques disponibles, et sommes très heureux que vous ayez choisi l'un de nos produits.

**Le mot du Président**



**SURFACE DE CUISSON À GAZ  
MODÈLE AVEC FOUR ÉLECTRIQUE AUTO-NETTOYAGE**

**BERTAZZONI  
MANUEL D'UTILISATION**