

# BERTAZZONI MASTER SERIES

31" FREESTANDING BOTTOM MOUNT LEFT SWING DOOR

REF31BMXL + MASHK31BM

## HIGHLIGHTS

### • Total no frost system

Automated defrosting cycle of the evaporator ensures food stays always fresh.

### • 5 Level Airflow system

Optimized air-flow design keeps set temperature constant and even throughout the entire refrigerator.

### • Touch-control interface

Electronic touch-control LED interface on the appliance door simplifies setting and monitoring of all vital functions, with separate temperature control for refrigerator and freezer. Special one-touch functions include Super Cool, Super Freeze and Holiday mode.

### • Design

Flat front door design. Stainless steel doors have special treatment that eliminates fingerprint smudges. Choose the Master or Professional series handle kit for perfect integration with your Bertazzoni appliances suite.



## FEATURES

<b>Style</b>	bottom mount
<b>Finish</b>	stainless steel, no fingerprint
<b>Handle styles</b>	Master series
<b>Interface</b>	electronic touch control with LED screen
<b>Lighting</b>	LED lights interior illumination
<b>Refrigerator shelves</b>	3
<b>Refrigerator drawers</b>	1 full width crisper (humidity controlled)
<b>Freezer drawers</b>	2 full-width + 1 half-width
<b>Door storage compartment</b>	2 full-width racks + 2 half-width racks + 2 half-width bins
<b>Ice maker</b>	Manual twist ice maker
<b>Automatic settings</b>	Holiday Mode, Super Freeze, Alarm, Super Cool
<b>Energy rating</b>	Energy star

## TECHNICAL SPECIFICATIONS

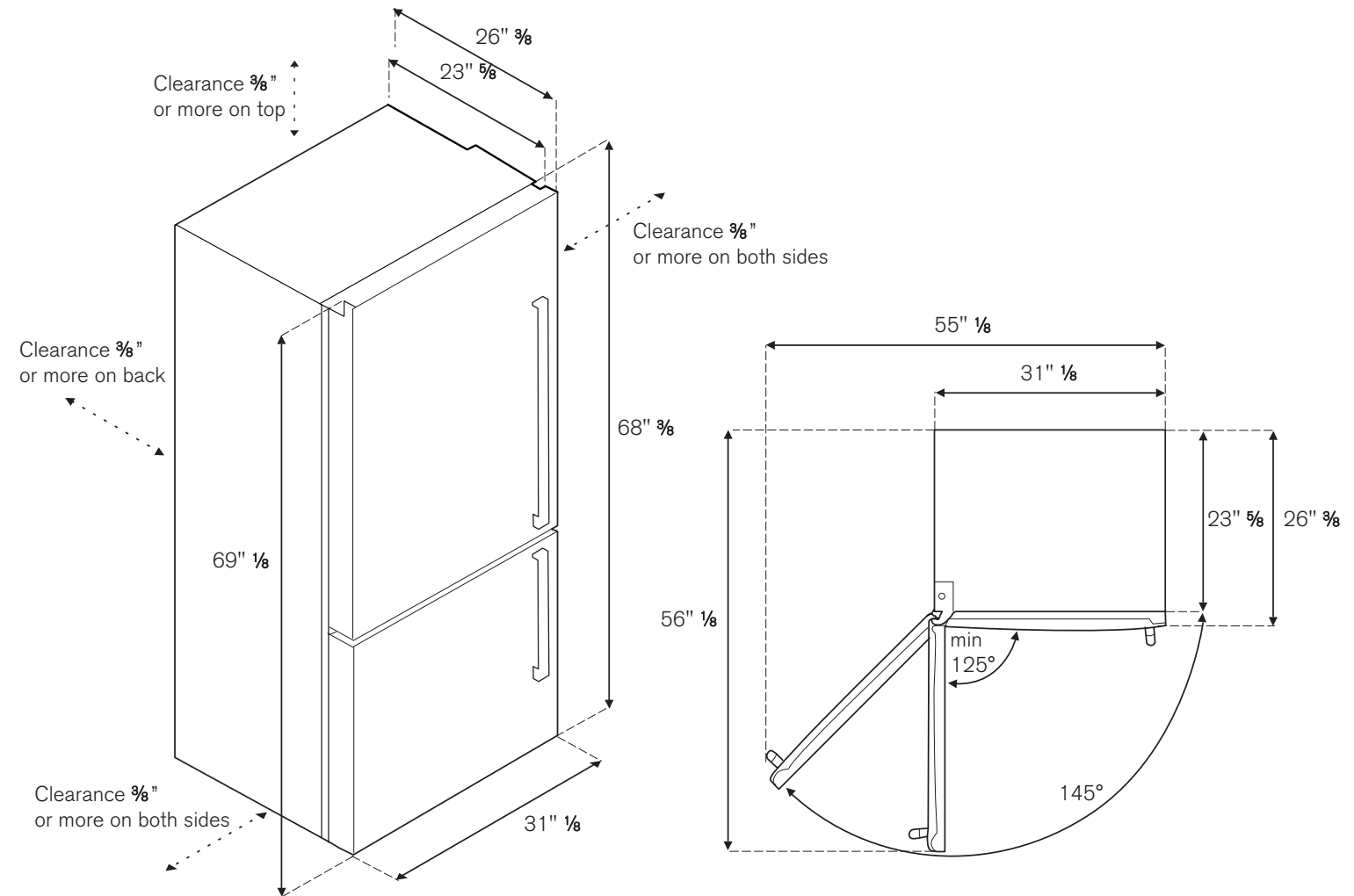
<b>Voltage, frequency</b>	115V/60Hz
<b>Max Amp Usage, power rating</b>	2A, 230W
<b>Power connection</b>	back side, length of power cord 5.6 ft
<b>Certification</b>	UL/CSA
<b>Warranty</b>	2 years parts and labor
<b>CAPACITY</b>	
<b>Refrigerator capacity</b>	12.2 cu.ft
<b>Freezer capacity</b>	4.8 cu.ft
<b>Total capacity</b>	17 cu.ft

# BERTAZZONI MASTER SERIES

31" FREESTANDING BOTTOM MOUNT LEFT SWING DOOR

REF31BMXL + MASHK31BM

## INSTALLATION INSTRUCTIONS



INSTALLATION: There shall be a space not less than 3/8 inch from the top of your refrigerator, not less than 3/8 inch from both sides and 3/8 inch or more from the back of the refrigerator to the adjacent walls respectively. This requirement is necessary to create clearance in order to open and close the door as well as to avoid the spacing for adequate ventilation around the refrigerator.

## DIMENSIONS

<b>Depth with handles</b>	28" 15/16
<b>Depth without handles</b>	26" 3/8
<b>Depth main box</b>	23" 5/8
<b>Height</b>	69" 1/8
<b>Width</b>	31" 1/8
<b>Counter Deep</b>	yes

Refrigerator handles are provided separately with dedicated commercial code and packaging.

**Disclaimer:** while every effort has been made to insure the accuracy of the information contained in this brochure, Fratelli Bertazzoni reserves the right to change any part of the information at any time without notice.

Fratelli Bertazzoni, Bertazzoni and the winged wheel brand icon are registered trademarks of Bertazzoni Spa.

WWW.BERTAZZONI.COM



TO COOK BEAUTIFULLY  
WWW.BERTAZZONI.COM