

EN

Instruction Manual


FR

Guide de l'utilisateur



PROF24SOEX

CALIFORNIA PROPOSITION 65

 **WARNING:** Cancer and Reproductive Harm –
www.P65Warnings.ca.gov.

 **ADVERTENCIA:** Cáncer y Daño Reproductivo –
www.P65Warnings.ca.gov.

 **AVERTISSEMENT:** Cancer et Troubles de l'appareil reproducteur –
www.P65Warnings.ca.gov.

Contents

Grounding Instructions	4
Important safety instructions	5
Precautions to avoid possible exposure to excessive Microwave energy	7
Precautions to be observed before and during servicing to avoid possible exposure to excessive Microwave energy	8
The advantages of microwaves	11
Description of your oven.....	12
Basic controls	14
Basic Functions	16
Special functions	21
When the oven is working.....	23
Defrosting.....	24
Cooking with a microwave oven	26
Cooking with the grill	28
Roasting and baking.....	31
What kind of ovenware can be used?	34
Oven Cleaning and Maintenance.....	36
What should I do if the oven doesn't work?.....	38
Technical characteristics	39
Installation instructions	40
Installation.....	82

Dear Customer,

Before going any further, we want to thank you for preferring our **BERTAZZONI** product. We are sure that this modern, functional and practical microwave oven, manufactured with top quality materials, will fully meet your expectations.

We ask you to read the instructions in this booklet very carefully as this will allow you to get the best results from using your microwave oven.

KEEP THE DOCUMENTATION OF THIS PRODUCT FOR FUTURE REFERENCE.

Always keep the instruction manual handy. If you lend the microwave oven to someone else give them the manual as well!

The Speed Oven **PROF24SOEX** complies with Part 18 of the FCC rules.

The user manual is also available for download at www.bertazzoni.com

GROUNDING INSTRUCTIONS

This appliance must be grounded. In the event of an electrical short circuit, grounding reduces the risk of electric shock by providing an escape wire for the electric current. This appliance is equipped with a cord having a grounding wire with a grounding plug. The plug must be plugged into an outlet that is properly installed and grounded.

Warning! IMPROPER USE OF THE GROUNDING CAN RESULT IN A RISK OF ELECTRICAL SHOCK.

Consult a qualified electrician or serviceman if the grounding instructions are not completely understood, or if doubt exists as to whether the appliance is properly grounded, and do not use an extension cord. If the power supply cord is too short, have a qualified electrician or serviceman install an outlet near the appliance.

IMPORTANT SAFETY INSTRUCTIONS

When using electrical appliances basic safety precautions should be followed, including the following:

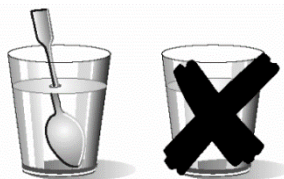
Warning! To reduce the risk of burns, electric shock, fire, injury to persons, or exposure to excessive microwave energy:

- Read all instructions before using the appliance.
- Read and follow the specific **“PRECAUTIONS TO AVOID POSSIBLE EXPOSURE TO EXCESSIVE MICROWAVE ENERGY”** found on this manual.
- This appliance must be grounded. Connect only to properly grounded outlet. See **“GROUNDING INSTRUCTIONS”** found on this manual.
- Install or locate this appliance only in accordance with the provided installation instructions.
- Some products such as whole eggs and sealed containers – for example, closed glass jars are able to explode and should not be heated in this oven.
- Use this appliance only for its intended use as described in the manual. Do not use corrosive chemicals or vapors in this appliance. This type of oven is specifically designed to heat, cook, or dry food. It is not designed for industrial or laboratory use.
- As with any appliance, close supervision is necessary when used by children.
- Do not operate this appliance if it has a damaged cord or plug, if it is not working properly, or if it has been damaged or dropped.
- This appliance should be serviced only by qualified service personnel. Contact nearest authorized service facility for examination, repair, or adjustment.
- Do not cover or block any openings on the appliances.
- Do not store this appliance outdoors. Do not use this product near water – for example, near a kitchen sink, in a wet basement, near a swimming pool, or similar locations.
- Do not immerse cord or plug in water.
- Keep cord away from heated surfaces.
- Do not let cord hang over edge of table or counter.
- When cleaning surfaces of door and oven that comes together on closing the door, use only mild, nonabrasive soaps, or detergents applied with a sponge or soft cloth.

IMPORTANT SAFETY INSTRUCTIONS

To reduce the risk of fire in the oven cavity:

- Do not overcook food. Carefully attend appliance when paper, plastic, or other combustible materials are placed inside the oven to facilitate cooking.
- Remove wire twist-ties from paper or plastic bags before placing bag in oven.
- If materials inside the oven ignite, keep oven door closed, turn oven off, and disconnect the power cord, or shut off power at the fuse or circuit breaker panel.
- Do not use the cavity for storage purposes. Do not leave paper products, cooking utensils, or food in the cavity when not in use.
- Liquids such as water, coffee, or tea are able to be overheated beyond the boiling point without appearing to be boiling. Visible bubbling or boiling when the container is removed from the microwave oven is not always present. **THIS COULD RESULT IN VERY HOT LIQUIDS SUDDENLY BOILING OVER WHEN THE CONTAINER IS DISTURBED OR A UTENSIL INTO THE LIQUID.**



To avoid that type of situation when heating liquids, put a teaspoon or glass rod inside the container.

PRECAUTIONS TO AVOID POSSIBLE EXPOSURE TO EXCESSIVE MICROWAVE ENERGY

- (a) Do not attempt to operate this oven with the door open since open – door operation can result in harmful exposure to microwave energy. It is important not to defeat or tamper with the safety interlocks.
- (b) Do not place any object between the oven front face and the door or allow soil or cleaner residue to accumulate on sealing surfaces.
- (c) Do not operate the oven if it is damaged. It is particularly important that the oven door closes properly and that there is no damage to the: (1) door (bent), (2) hinges and latches (broken or loosened), (3) door seals and sealing surfaces.
- (d) The oven should not be adjusted or repaired by anyone except properly qualified service personnel.
- (e) A microwave leakage check to verify compliance with the Federal Performance Standard should be performed on each oven prior to release to the owner.

Pacemakers:

Most pacemakers are shielded from interference from electronic products, including microwaves. However, patients with pacemakers may wish to consult their physicians if they have concerns.

PRECAUTIONS TO BE OBSERVED BEFORE AND DURING SERVICING TO AVOID POSSIBLE EXPOSURE TO EXCESSIVE MICROWAVE ENERGY

- (a) Do not operate or allow the oven to be operated with the door open.
- (b) Make the following safety checks on all ovens to be serviced before activating the magnetron or other microwave source, and make repairs as necessary: interlock operation, proper door closing, seal and sealing surfaces (arcing, wear, and other damage), damage to or loosening of hinges and latches, evidence of dropping or abuse).
- (c) Before turning on microwave power for any service test or inspection within the microwave generating compartment, check the magnetron, wave guide or transmission line, and cavity for proper alignment, integrity and connection.
- (d) Any defective or misadjusted components in the interlock, monitor, door seal, and microwave generation and transmission systems, shall be repaired, replaced, or adjusted by procedures described in this manual before the oven is released to the owner.
- (e) A microwave leakage check, to verify compliance with the Federal Performance Standard, should be performed on each oven prior to release to the owner.

Microwave safety



- **Warning!** Never leave the oven unwatched, especially when using paper, plastic or other combustible materials. These materials can char and may fire. FIRE RISK!
- **Warning!** Do not heat pure alcohol or alcoholic drinks in the microwave. FIRE RISK!
- **Warning!** Do not heat liquids or other foods in closed containers since these may explode readily.
- **Warning!** This appliance is not intended for use by persons (including children) with reduced physical, sensory or mental capabilities, or lack of experience and knowledge, unless they have been given supervision or instruction concerning use of the appliance by a person responsible for their safety. Children should be supervised to ensure that they do not play with the appliance.
- **Warning!** If the oven has a combined function mode (microwave with other means of heating), children should not be allowed to use the oven without adult supervision on account of the high temperatures generated.
- **Warning!** The oven cannot be used if:
 - The door is not closed correctly;
 - The door hinges are damaged;
 - The surfaces of the contact between the door and the oven front are damaged;
 - The door window glass is damaged;
 - There is frequent electrical arcing inside the oven even though there is no metal object inside.

The oven **can only be used again** after it has been repaired by a Technical Assistance Service technician.

Beware!

- Never heat baby foods or drinks in bottles or jars with the teats or lids on them. After heating the food mix or shake well so that the heat is spread evenly. Check the food temperature before feeding this to the child. DANGER OF BURNING!
- To avoid food overheating or burning it is very important not to select long time periods or power levels that are too high when **heating small quantities of food**. For example, a bread roll can burn after 3 minutes if the power selected is too high.
- For toasting, use just the grilling function and watch the oven all the time. If you use a combined function to toast bread it will catch fire in a very short time.
- Make sure you never catch the power cables of other electrical appliances in the hot door or the oven. The cable insulation may melt. **Danger of short-circuiting!**

Microwave safety

This oven is exclusively for domestic use!

Use the oven only for preparing meals.

Avoid damaging the oven or other dangerous situations by following these instructions:

- Do not switch on the oven without the **turntable support**, the **turntable ring** and the respective **plate** being in place.
- **Never switch on the microwave when it is empty.** If there is no food inside there may be an electrical overcharge and the oven could be damaged. **RISK OF DAMAGE!**
- **For carrying out oven programming tests** put a glass of water inside the oven. The water will absorb the microwaves and the oven will not be damaged.
- Use only **dishes suitable for microwaves.** **Before using dishes and containers** in the microwave, check that these are suitable (see the section on types of dishes).
- **Never remove the mica cover on the ceiling of the oven interior!** This cover stops fat and pieces of food damaging the microwave generator.
- Do not keep any **flammable object** inside the oven as it may burn if the oven is switched on.
- Do not use the oven as a **pantry**.
- **Eggs with their shells** and **whole boiled eggs** must not be heated in microwave ovens because they may explode.
- Do not use the oven for **frying** as it is impossible to control the temperature of oil heated by microwaves.
- **To avoid being burnt**, always use oven gloves for handling dishes and containers and touching the oven.
- **Do not lean or sit on the open oven door.** This may damage the oven, especially in the hinge zone. The door can bear a maximum weight of 8 kg.

- The turntable and the grills can bear a maximum load of 8 kg. To avoid damaging the oven, do not exceed this load.

Cleaning:

- **Warning!** Your microwave oven must be cleaned regularly. All food remains must be removed (see section on Oven Cleaning). If the microwave oven is not kept clean its surface may deteriorate **and this may** shorten the oven's working life and could even result in a dangerous situation.
- The door contact surfaces (the front of the cavity and the inside part of the doors) must be kept very clean in order to ensure the oven functions correctly.
- **Do not use harsh abrasive cleaners or sharp metal scrapers to clean the oven door glass since they can scratch the surface, which may result in shattering of the glass.**
- **Do not use high pressure or stream jet cleaning appliances.**
- Please follow the instructions regarding cleaning in the section "Oven Cleaning and Maintenance".

Repairs:

- **Warning – Microwaves! The outer protection of the oven must not be removed.** It is dangerous for anyone not authorized by the manufacturer to carry out any kind of repair or maintenance work.
- If the power cable is damaged it should be substituted by the manufacturer, authorized agents or technicians qualified for this task in order to avoid dangerous situations. Furthermore, special tools are required for this task.
- Repair and maintenance work, especially of current carrying parts, can only be carried out by technicians authorized by the manufacturer.

The advantages of microwaves

In conventional ovens, heat radiated by electrical elements or gas burners slowly penetrates the food from outside to inside. On account of this there is a major amount of energy is wasted heating the air, the oven components and the food containers.

In a microwave oven, heat is generated by the food itself and the heat travels from inside to outside. No heat is lost to the air, the walls of the oven cavity or the dishes and containers (if these are suitable for use in microwave oven), in other words, only the food is heated.

Microwave ovens have the following advantages:

1. Shorter cooking times; in general these are up to 3/4 less than the time required for conventional cooking.
2. Ultra-fast food defrosting, thus reducing the danger of bacterial development.
3. Energy savings.
4. Conservation of the nutritional value of foods due to the shorter cooking times.
5. Easy to clean.

How a microwave oven works

In a microwave oven there is a high tension valve called a magnetron which converts electrical energy into microwave energy. These electromagnetic waves are channeled to the interior of the oven through a wave guide and distributed by a metallic spreader or through a turntable.

Inside the oven the microwaves propagate in all directions and are reflected by the metal walls, uniformly penetrating the food.

Why food heats up

Most foods contain water and water molecules vibrate when subjected to microwaves.

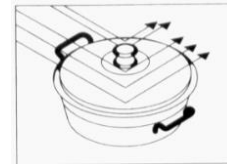
The friction between molecules produces heat which raises the temperature of the food, de-freezing it, cooking it or keeping it hot.

Since the heat arises inside the food:

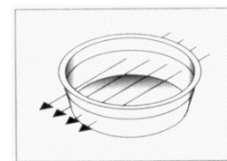
- This can be cooked with little or no liquid or fats/oils;
- De-freezing, heating or cooking in a microwave oven is quicker than in a conventional oven;
- The vitamins, minerals and nutritional substances in the food are conserved;
- The natural color and aroma of the food are unchanged.

Microwaves pass through china, glass, cardboard or plastic but do not go through metal. For this reason, metal containers or ones with metal parts must not be used in a microwave oven.

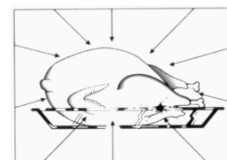
Microwaves are reflected by metal...



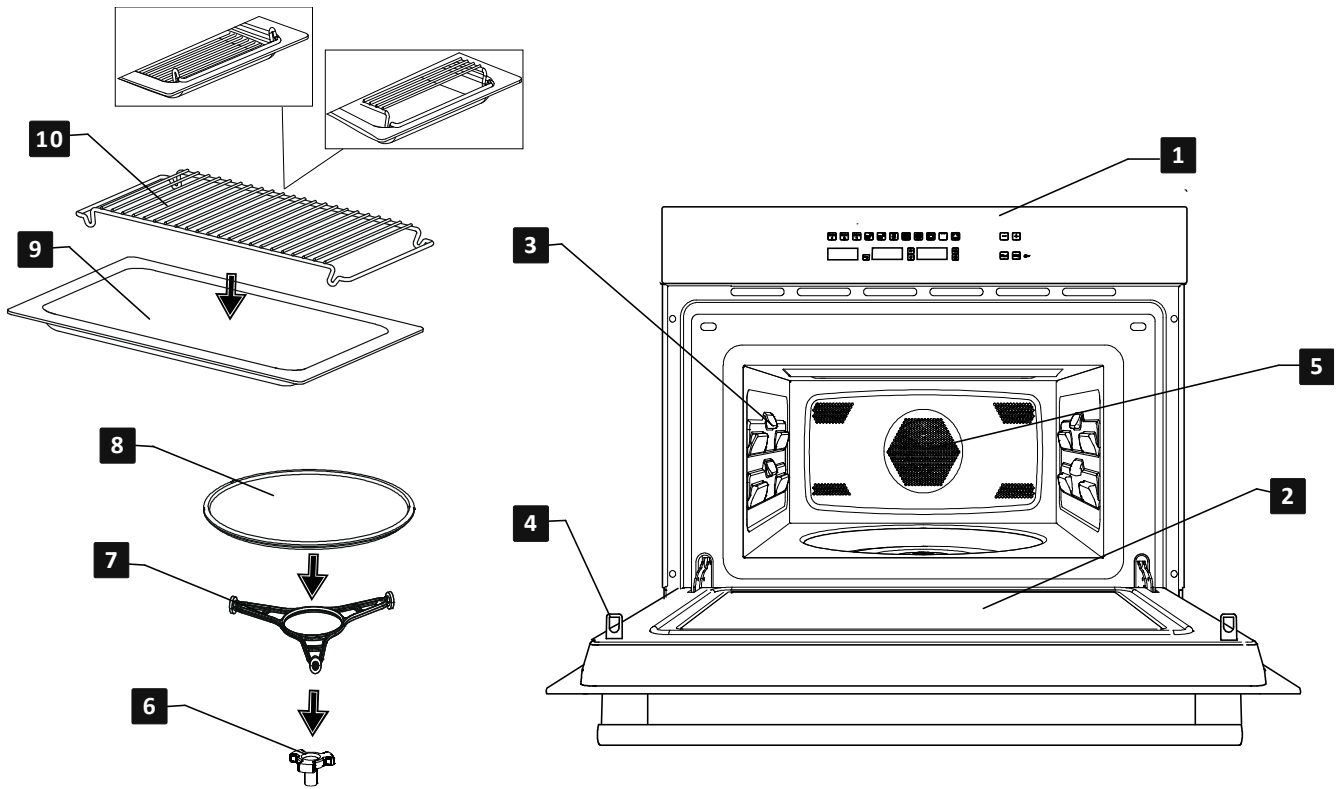
... but go through glass and china...



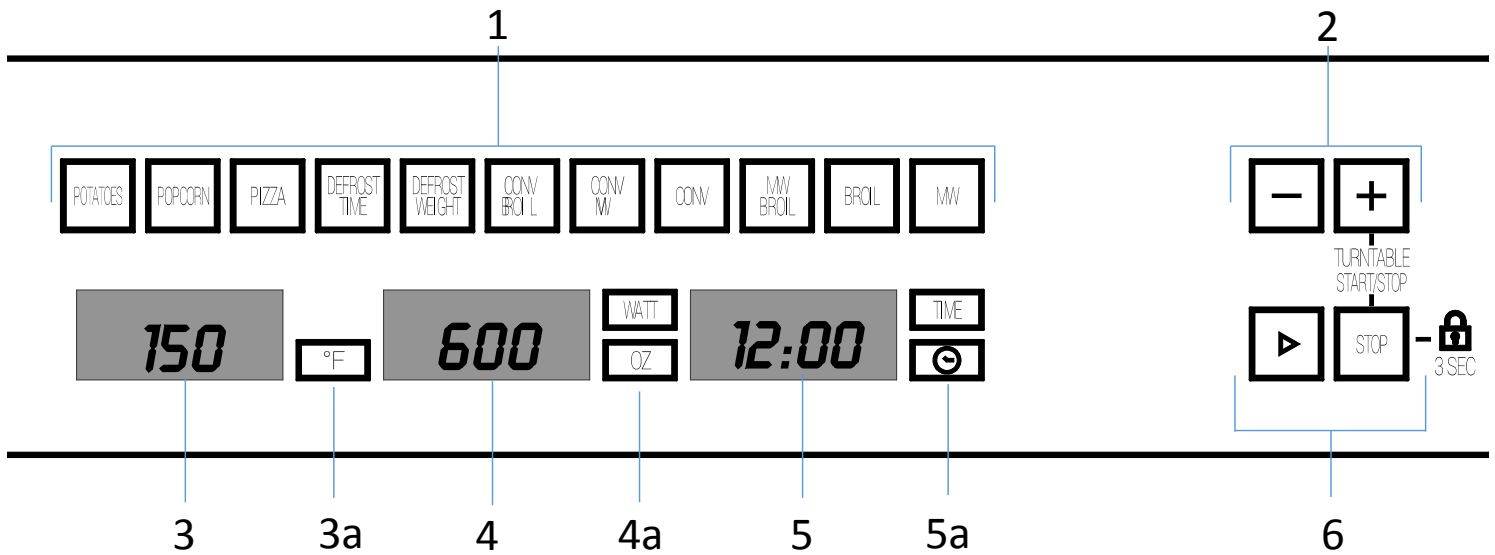
... and are absorbed by foods.



Description of your oven



- 1. – Control panel
- 2. – Door window glass
- 3. – Lateral supports
- 4. – Catches
- 5. – Hot Air Output
- 6. – Turntable support
- 7. – Turntable ring
- 8. – Turntable plate
- 9. – Glass tray
- 10. – Rectangular Rack



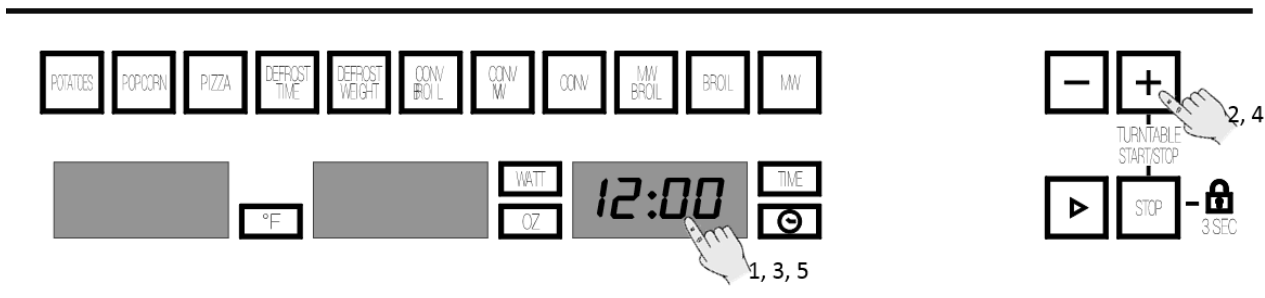
- 1. – Function selection keys
- 2. – “+” and “-” keys
- 3. – Oven Temperature selection key
- 3a.- Oven Temperature indication light
- 4. – Power/Weight selection key
- 4a.-Power/Weight indication lights
- 5. – Clock/ Time selection key
- 5a.-Clock/ Time indication lights
- 6. – Start and Stop/ Safety blocking keys

Description of your oven

Description of Functions

Symbol	Function	Microwave Power Output	Foods
MW	Microwave	200 W	Slow defrosting for delicate foods; keeping food hot.
		400 W	Cooking with little heat; boiling rice. Rapid defrosting, heating baby food.
		600 W	Heating and cooking food.
		800 W	Cooking vegetables and food. Cooking and heating carefully. Heating and cooking small portions of food.
		1000 W	Rapidly heating liquids.
BROIL	Broil		Grilling food.
MW BROIL	Microwave + Broil	200 W	Toasting food.
		400 W	Grilling poultry and meat.
		600 W	Cooking pies and cheese-topped dishes.
CONV	Convection	---	Roasting and baking.
CONV MW	Convection + Microwave	---	Grilling meat and fish.
			Grilling poultry.
			Potatoes – deep-frozen, defrosting and roasting.
CONV BROIL	Convection + Broil	200-600 W	Quick meat, fish and poultry roasting. Baking cakes.
DEFROST WEIGHT	Defrosting	---	Defrosting by weight (automatic)
DEFROST TIME	Defrosting	---	Defrosting by time (manual)
PIZZA	Pizza	---	Baking pizza.
POPCORN	Popcorn	---	Cook popcorn.
POTATOES	Potatoes	---	Cook potatoes.

Setting the clock



After your microwave oven is first plugged in or after a power failure, the clock display will flash to indicate that the time shown is not correct. To set the clock, proceed as follows:

1. Press the **Clock** key for 6 seconds (not necessary on first plug-in or after a power failure). The hour numbers will start to flash.

2. Press key “-” and “+” to set the hours.

3. Press again the **Clock** key to set the minutes. The minute numbers will start to flash.

4. Press key “-” and “+” to set the minutes.

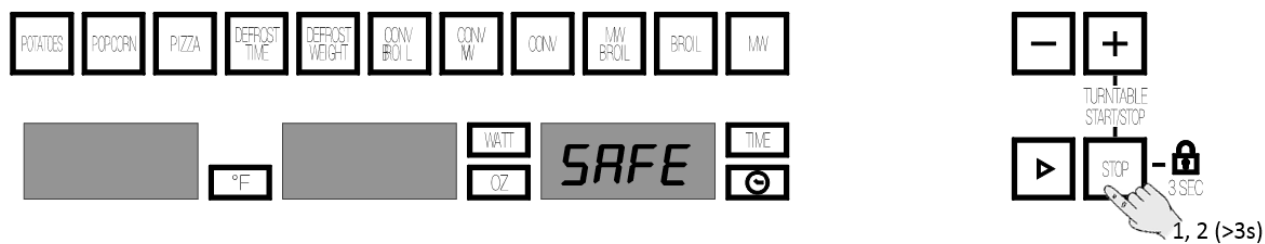
5. To finish, press the **Clock** key again.

Displaying the Clock

To save energy, the clock is normally hidden.

If you want to see the clock, press the **Clock** key briefly and the clock will be visible.

Safety blocking



The oven functioning can be blocked (for example, to stop it being used by children).

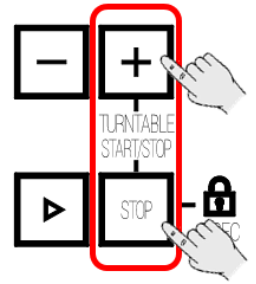
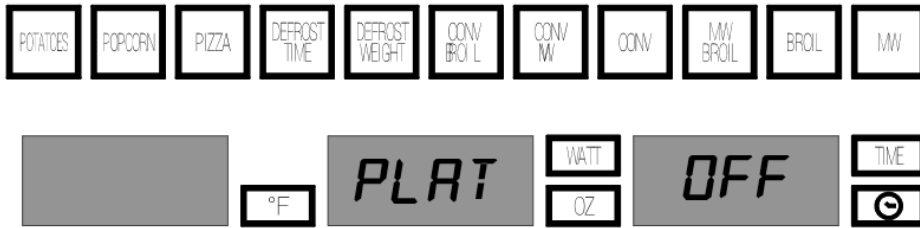
1. To block the oven, press the **Stop** key for 3 seconds. You will hear a sound signal and the **display** will show the word “SAFE”. The

oven is blocked in this state and cannot be used.

2. To unblock the oven, press the **Stop** key again for 3 seconds. You will hear a sound signal and the **display** will show the time again.

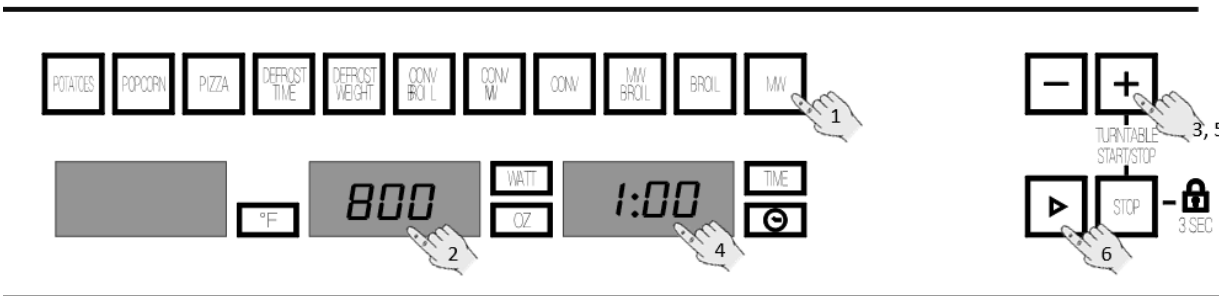
Basic controls

Stopping the rotating plate



1. To stop the rotating plate, press the “+” key and the “**Stop**” key at the same time
2. To start plate rotation again, press the “+” Key and the “**Stop**” key at the same again.

Microwave

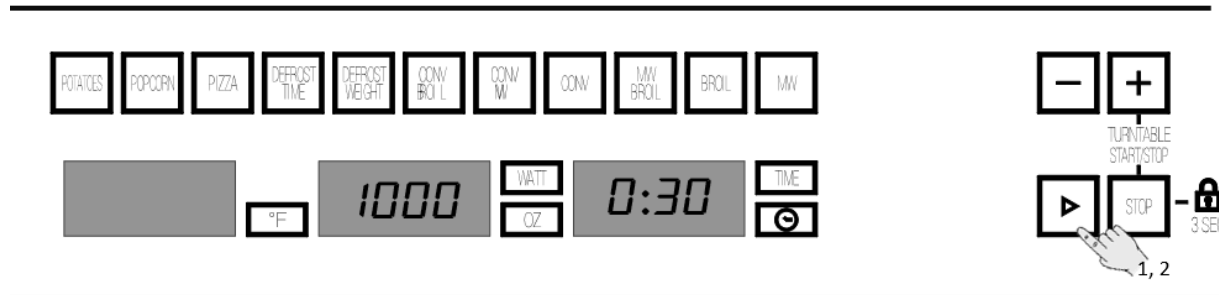


1. Press the Microwave function key. The function key lights up.
2. Press the Power Selection key to change the microwave power. The respective light will start to flash. If you do not press this key, the oven operates at 800 W.
3. To change the microwave power press key “-” and “+”.

4. Press the Time Selection key to change the operating time. The correspondent light will start to flash.
5. Press key “-” and “+”, to change the function time (e.g. 1 minute).
6. Press the START key. The oven will start to operate

NOTE: When 1000 W power is selected, the operating time is limited to a maximum of 15 minutes.

Microwave – Quick Start



1. Press the **Start** key. The oven starts to operate in the Microwave function at maximum power for 30 seconds.
2. If you want to increase the operating time press the **Start** key again. Each time you press this key

the operating time will be increased by 30 seconds.

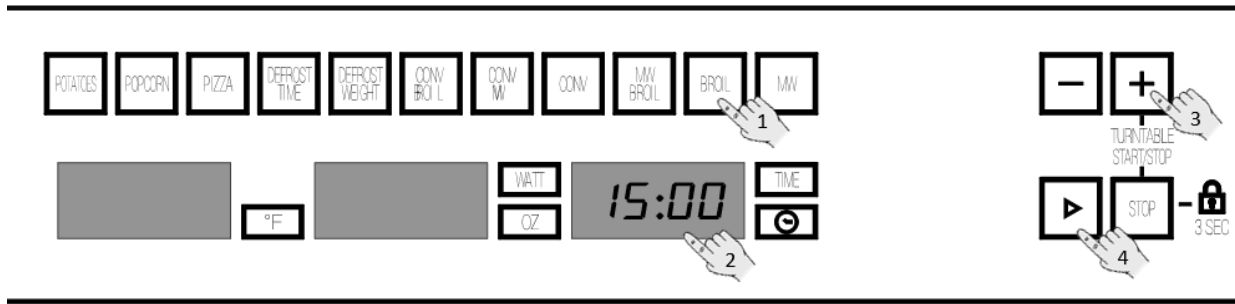
NOTE: When 1000 W power is selected, the operating time is limited to a maximum of 15 minutes.

WARNING! Never switch on the microwave when it is empty. If there is no food inside there may be an electrical overcharge and the oven could be damaged. RISK OF DAMAGE!

WARNING! When using small loads, such as popcorn bags, place a glass of water on one of the cavity corners to avoid damages.

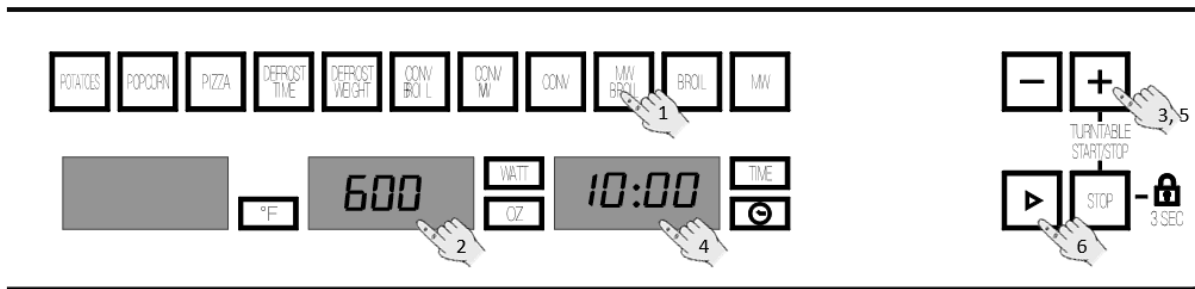
Basic Functions

Broil



1. Press the function key **Broil**. The function key lights up.
2. Press the **Time Selection** key to change the operating time. The correspondent light will start to flash.
3. Press key “-” and “+”, to change the function time (e.g. 15 minutes).
4. Press the **Start** key. The oven will start to operate.

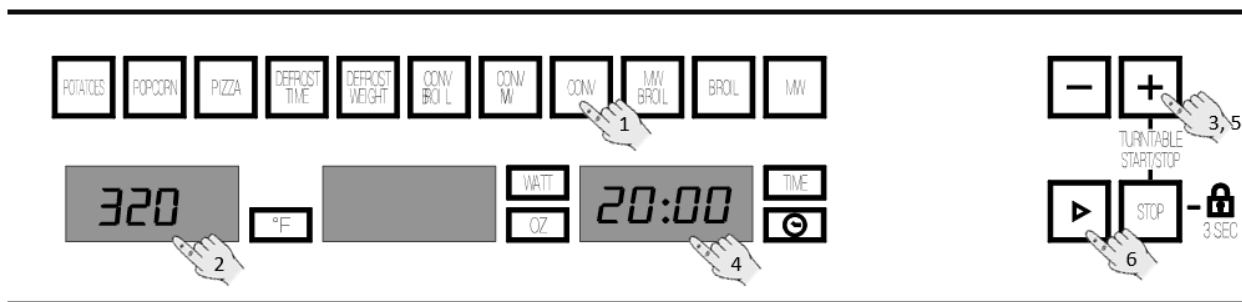
Microwave + Broil



1. Press the function key **Microwave + Broil**. The function key lights up.
2. Press the **Power Selection** key to change the microwave power. The respective light will flash. If you do not press this key, the oven operates at 600 W.
3. To change the microwave power press key “-” and “+”.
4. Press the **Time Selection** key to change the operating time. The respective light will start to flash.
5. Press key “-” and “+”, to change the function time (e.g. 10 minutes).
6. Press the **Start** key. The oven will start to operate.
7. In combined mode, the microwave oven power is limited to 600 W.

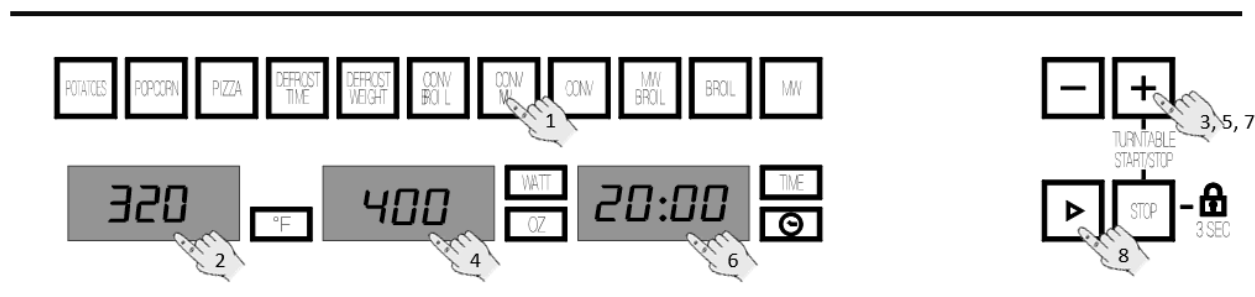
WARNING! Never switch on the microwave when it is empty. If there is no food inside there may be an electrical overcharge and the oven could be damaged. RISK OF DAMAGE!

Convection



1. Press the function key **Convection**. The function key lights up.
2. Press the temperature key to change the temperature. The respective light will flash. If you do not press this key, the oven operates at 320 °F.
3. To change the temperature press key “-” and “+”.
4. Press the **Time Selection** key to change the operating time. The respective light will start to flash.
5. Press key “-” and “+”, to change the function time (e.g. 20 minutes).
6. Press the **Start** key. The oven will start to operate.

Convection + Microwave



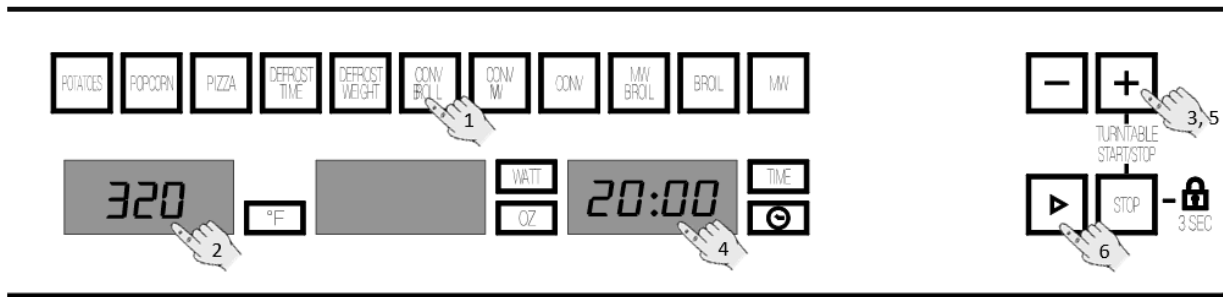
1. Press the function key **Convection + Microwave**. The function key lights up.
2. Press the **Temperature Selection** key to change the temperature. The respective light will start to flash. If you do not press this key, the oven operates at 320°F.
3. Press key “-” and “+”, to change the temperature.
4. Press the **Power Selection** key to change the microwave power. The respective light will flash. If you do not press this key, the oven operates at 400W.
5. To change the microwave power press key “-” and “+”.
6. Press the **Time Selection** key to change the operating time. The respective light will start to flash.
7. Press key “-” and “+”, to change the function time (e.g. 20 minutes).
8. Press the **Start** key. The oven will start to operate,
9. In combined mode, the microwave oven power is limited to 600W.

WARNING! Never switch on the microwave when it is empty. If there is no food inside there may be an electrical overcharge and the oven could be damaged. RISK OF DAMAGE!

WARNING! For pre-heating the cavity, please select the Convection function with the desired temperature, and then switch to the Microwave + Convection after placing the food in the cavity.

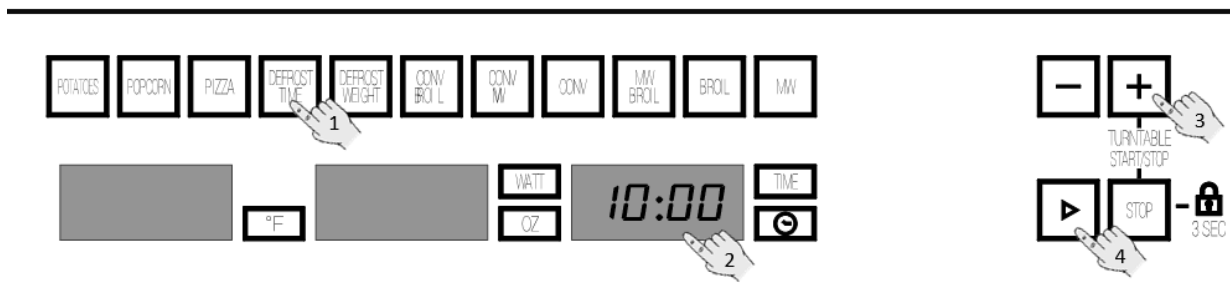
Basic Functions

Convection + Broil



1. Press the function key **Convection + Broil**. The function key lights up.
2. Press the **Temperature** key to change the temperature. The respective light will flash. If you do not press this key, the oven operates at 320 °F.
3. To change the temperature press key “-” and “+”.
4. Press the **Time Selection** key to change the operating time. The respective light will start to flash
5. Press key “-” and “+”, to change the function time (e.g. 20 minutes).
6. Press the **Start** key. The oven will start to operate.

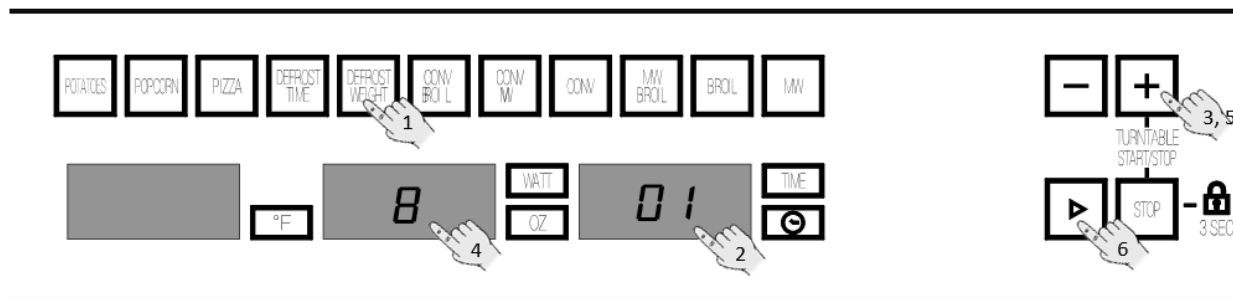
Defrosting by time (manual)



1. Press the function key **Defrosting by time**. The function key lights up.
2. Press the **Time Selection** key to change the function time. The respective light will flash.
3. Press key “-” and “+”, to change the function time (e.g. 10 minutes).
4. Press the **Start** key. The oven will start to operate.

Note: Stir or mix the foods several times during heating, especially when the oven emits a beep and the display is flashing *turn*.

Defrosting by weight (automatic)



1. Press the function key **Defrosting by weight**. The function key lights up.
2. Press the **Food Type** selection key to change the food type. The respective lights will flash.
3. Press key “-” and “+”, to change the program, e.g. “Pr 01” (see following table).
4. Press the **Weight Selection** key to define the food weight. The respective light will flash.
5. Press key “-” and “+”, to change the weight.
6. Press the **Start** key. The oven will start to operate.
7. Turn the food whenever the oven lets out a beep, and the display flashes the word *turn*. Press the Start key to resume.

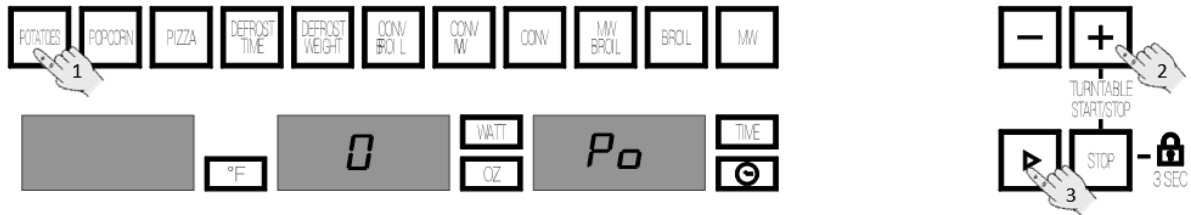
The following table shows the defrosting by weight function programs, indicating weight intervals, and defrosting and standing times (in order to ensure the food is of a uniform temperature).

Program	Food	Weight (OZ)	Time (min)	Standing time (min)
01	Meat	4 – 80	2,30 – 50	20 – 30
02	Poultry	4 – 100	2,40 – 67	20 – 30
03	Fish	4 – 80	2 – 45,30	20 – 30
04	Fruit	4 – 40	3 – 30	10 – 20
05	Bread	4 – 60	3 – 42	10 – 20

Important Note: see “General instructions for defrosting”.

Special functions

Special Function: POTATOES

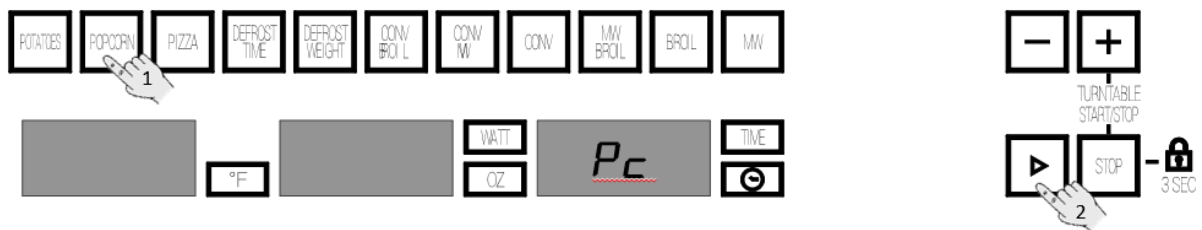


1. Press the function key **Potatoes**. The function key lights up.
2. Press key “-” and “+”, to change the weight.
3. Press the **Start** key. The oven will start to operate.

Important Notes:

- Always use dishes for use in the microwave oven and a lid or cover to avoid loss of liquids.
 - The time required to heat the food will depend on its initial temperature. Food taken straight from the fridge will take longer to heat up than food that is at room temperature.
 - If the food temperature is not what is wanted, select a greater or lesser weight next time you heat up the food.
 - After heating, stir the food or shake the container and then leave the food to stand for some time to allow the temperature to become uniform throughout the food.
- Warning!** After heating the container may be very hot. Although microwaves do not heat up most containers, these may heat up through heat transmission from food.

Special Function: POPCORN

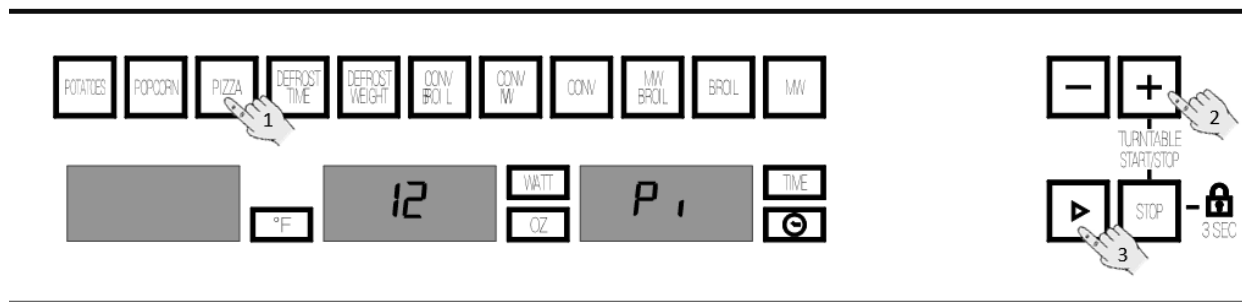


1. Press the function key **Popcorn**. The function key lights up.
2. Press the **Start** key. The oven will start to operate.

Important Notes:

- Always use dishes for use in the microwave oven and a lid or cover to avoid loss of liquids.
- **Warning!** After heating, the container may be very hot. Although microwaves do not heat up most containers, these may heat up through heat transmission from food.

Special Function: PIZZA



1. Press the function key **Pizza**. The function key lights up.
2. Press key “-” and “+”, to change the weight.

3. Press the **Start** key. The oven will start to operate.

Important Notes:

- Always use dishes that are suitable for microwaving and heat resistant (e.g. baking dishes). The oven produces very high temperatures.

Warning! After heating, the container may be very hot. Although microwaves do not heat most containers, they can get very hot due to heat transfer.

When the oven is working...

Interrupting a cooking cycle

You can stop the cooking process at any time by pressing the **Stop** key once or by opening the oven door.

In both cases:

- Microwave emission is stopped immediately.
- The grill is de-activated but is still very hot. Danger of burning!
- The timer stops and the **display** show the remaining amount of operating time.

If you wish, at this time you can:

1. Turn or stir the food to ensure it will be evenly cooked.
2. Change the process parameters.
3. Cancel the process by pressing the **Stop** key.

To restart the process, close the door and press the **Start** key

Altering parameters

The operating parameters (time and temperature) can only be altered when the cooking process has been interrupted by proceeding as follows:

1. To alter the time, press key “-” and “+”. The new time defined is immediately valid.
2. To alter the power, press the Power Selection key. The display and respective light start to flash. Alter the parameter by pressing the “-” and “+” keys and confirm by pressing the Power Selection key again.

Cancelling a cooking cycle

If you wish to cancel the cooking process, press the **Stop** key twice.

You will then hear a beep and the blinking dots “:” will appear on the **display**.

End of a cooking cycle

At the end of the process you will hear three beeps and the display will show the word “**End**”.

The beeps are repeated every 30 seconds until the door is opened or the **Stop** key is pressed.

USA

Defrosting

The table below shows different defrosting and standing times (in order to ensure the food temperature is evenly distributed) for

different types and weights of food, plus recommendations.

Food	Weight (oz.)	Defrosting time (min)	Standing time (min)	Recommendation
Portions of meat, veal, beef, pork	4	2-3	5-10	Turn once
	7	4-5	5-10	Turn once
	17-18	10-12	10-15	Turn twice
	35-36	21-23	20-30	Turn twice
	51-53	32-34	20-30	Turn twice
Goulash	70-71	43-45	25-35	Turn twice
	17-18	8-10	10-15	Turn twice
Minced meat	35-36	17-19	20-30	Turn twice
	4	2-4	10-15	Turn once
Sausages	17-18	10-14	20-30	Turn twice
	7	4-6	10-15	Turn once
Poultry (portions)	17-18	9-12	15-20	Turn twice
	8-9	5-6	5-10	Turn once
Chicken	35-36	20-24	20-30	Turn twice
	90	38-42	25-35	Turn twice
Fish fillet	7	4-5	5-10	Turn once
Trout	8-9	5-6	5-10	Turn once
Prawns	4	2-3	5-10	Turn once
	17-18	8-11	10-20	Turn twice
Fruit	7	4-5	5-10	Turn once
	10-11	8-9	5-10	Turn once
	17-18	11-14	10-20	Turn twice
Bread	17-18	4-5	5-10	Turn once
	17-18	10-12	10-15	Turn once
	28-29	15-17	10-20	Turn twice
Butter	8-9	8-10	10-15	
Cream cheese	8-9	6-8	10-15	
Creams	8-9	7-8	10-15	

Defrosting

General instructions for defrosting

1. When defrosting, use only dishes that are appropriate for microwaves (china, glass, suitable plastic).
2. The defrost function by weight and the tables refer to the defrosting of raw food.
3. The defrosting time depends on the quantity and thickness of the food. When freezing food keep the defrosting process in mind. Distribute the food evenly in the container.
4. Distribute the food as best as possible inside the oven. The thickest parts of fish or chicken drumsticks should be turned towards the outside. You can protect the most delicate parts of food with pieces of aluminum foil. **Important:** The aluminum foil must not come into contact with the oven cavity interior as this can cause electrical arcing.
5. Thick portions of food should be turned several times.
6. Distribute the frozen food as evenly as possible since narrow and thin portions defrost more quickly than the thicker and broader parts.
7. Fat-rich foods such as butter, cream cheese and cream should not be completely defrosted. If they are kept at room temperature they will be ready to be served in a few minutes. With ultra-frozen cream, if you find small pieces of ice in it, you should mix these in before serving.
8. Place poultry on an upturned plate so that the meat juices can run off more easily.
9. Bread should be wrapped in a napkin so that it does not become too dry.
10. Turn the food at regular intervals.
11. Remove frozen food from its wrapping and do not forget to take off any metal twist-tags. For containers that are used to keep frozen food in the freezer and which can also be used for heating and cooking, all you need to do is take off the lid. For all other cases you should put the food into containers that are suitable for microwave use.
12. The liquid resulting from defrosting, principally that from poultry should be discarded. In no event should such liquids be allowed to come into contact with other foods.
13. Do not forget that by using the defrosting function you need to allow for standing time until the food is completely defrosted.

Cooking with a microwave oven

Warning! Read the section “Microwave Safety” before cooking with your microwave.

Follow these recommendations when cooking with your microwave:

- Before heating or cooking foods with peel or **skin** (e.g. apples, tomatoes, potatoes, sausages) **prick them** so that they do not burst. Cut the food up before starting to prepare it.
- Before using a container or dish make sure that it is suitable for microwave use (see the section on types of ovenware).
- When cooking food with very little moisture (e.g. **defrosting bread**, making popcorn, etc.) evaporation is very quick. The oven then works as if it was empty and the food may burn. The oven and the container may be damaged in such a situation. You should therefore set just the cooking time necessary and you must keep a close eye on the cooking process.
- It is not possible to heat large quantities of oil (**frying**) in the microwave.
- Remove **pre-cooked food** from the containers they come in since these are not always heat resistant. Follow the food manufacturer’s instructions.
- **If you have several containers**, such as cups, for example, set them out uniformly on the turntable plate.
- Do not close **plastic bags** with metal clips. Use plastic clips instead. Prick the bags several times so that the steam can escape easily.
- When heating or cooking foods, check that they reach **at least a temperature of 158°F**.
- During cooking, **steam** may form on the oven door window and may start to drip. This situation is normal and may be more noticeable if the room temperature is low. The oven’s safe working is not affected by this. After you have finished cooking,

clean up the water coming from the condensation

- When heating liquids, use **containers with a wide opening**, so that the steam can evaporate easily.

Prepare the foods as per the instructions and keep in mind the cooking times and power levels indicated in the tables.

Keep in mind that the figures given are only indicative and can vary depending on the initial state, temperature, moisture and type of food. It is advisable to adjust the times and power levels to each situation. Depending on the exact characteristics of the food you may need to increase or shorten the cooking times or increase or decrease the power levels.

Cooking with microwaves rules

1. The greater the amount of food, the longer the cooking time. Keep in mind that:
 - Double the quantity » double the time
 - Half the quantity » half the time
2. The lower the temperature, the longer the cooking time.
3. Foods containing a lot of liquid heat up more quickly.
4. Cooking will be more uniform if the food is evenly distributed on the turntable. If you put dense foods on the outside part of the plate and less dense ones on the center of the plate, you can heat up different types of food simultaneously.
5. You can open the oven door at any time. When you do this the oven switches off automatically. The microwave will only start working again when you close the door and press the start key.
6. Foods that are covered require less cooking time and retain their characteristics better. The lids used must let microwaves pass through and have small holes that allow steam to escape.

Cooking with a microwave oven

Tables and suggestions – Cooking vegetables

Food	Quantity (oz.)	Addition of liquids (fl oz)	Power (Watt)	Time (min.)	Standing Time (min.)	Instructions
Cauliflower	17-18	3,5	800	9-11	2-3	Cut into slices.
Broccoli	10-11	2	800	6-8	2-3	Keep covered
Mushrooms	8-9	1	800	6-8	2-3	Turn once
Peas & carrots	10-11	3,5	800	7-9	2-3	Cut into chunks or slices. Keep covered
Frozen carrots	8-9	1	800	8-10	2-3	Turn once
Potatoes	8-9	1	800	5-7	2-3	Peel and cut into equal sized pieces. Keep covered Turn once
Paprika	8-9	1	800	5-7	2-3	Cut into chunks or slices Keep covered
Leek	8-9	2	800	5-7	2-3	Turn once
Frozen Brussels sprouts	10-11	2	800	6-8	2-3	Keep covered Turn once
Sauerkraut	8-9	1	800	8-10	2-3	Keep covered Turn once

Tables and suggestions – Cooking fish

Food	Quantity (oz.)	Power (Watt)	Time (min.)	Standing Time (min.)	Instructions
Fish fillets	17-18	600	10-12	3	Cook covered over. Turn after half of cooking time.
Whole fish	28-29	800 400	2-3 7-9	2-3	Cook covered over. Turn after half of cooking time. You may wish to cover up the small edges of the fish.

Cooking with the grill

For good results with the grill, use the rectangular rack supplied with the oven.

Fit the rectangular rack in such a way that it doesn't come into contact with the metal surfaces of the oven cavity since if it does there is a danger of electric arcing which may damage the oven.

IMPORTANT POINTS:

1. When the microwave grill is used for the first time there will be some smoke and a smell coming from the oils used during oven manufacture.
2. The oven door window becomes very hot when the grill is working. **Keep children away.**
3. When the grill is operating, the cavity walls and the rectangular rack become very hot. You should use oven gloves.
4. If the grill is used for extended period of time it is normal to find that the elements will switch themselves off temporarily due to the safety thermostat.
5. **Important!** When food is to be grilled or cooked in containers you must check that the container in question is suitable for microwave use. See the section on types of ovenware!
6. When the grill is used it is possible that some splashes of fat may go onto the elements and be burnt. This is a normal situation and does not mean there is any kind of operating fault.
7. After you have finished cooking, clean the interior and the accessories so that cooking remains do not become encrusted.

Cooking with the grill

Tables and suggestions – Grill without microwave

Fish	Quantity (oz.)	Time (min.)	Instructions
Fish			
Bass	28-29	18-24	Spread lightly with butter. After half of cooking time turn and spread with seasoning.
Sardines/gurnard	6-8 fish.	15-20	
Meat			
Sausages	6-8 units	22-26	Prick after half cooking time and turn.
Frozen hamburgers	3 units	18-20	Prick after half cooking time.
Spare rib (approx. 3 cm thick)	14-15	25-30	Brush with oil. After half of cooking time, baste and turn.
Others			
Toast	4 units	1½-3	Watch toasting. Turn
Toasted sandwiches	2 units	5-10	Watch toasting.

Heat up the grill beforehand for 2 minutes. Unless indicated otherwise, use the grid iron. Place the grid on a bowl so that the water and the fat can drop. The times shown are merely indicative and can vary as a function of the composition and quantity of the food, as well as the final condition wished for. Fish and meat taste great if, before grilling, you brush them with vegetable oil, spices and herbs and leave to marinate for a few hours. Only add salt after grilling.

Sausages will not burst if you prick them with a fork before grilling.

After half the grilling time has passed, check on how the cooking is going and, if necessary, turn the food over or brush it with some oil.

The grill is especially suitable for cooking thin portions of meat and fish. Thin portions of meat only need to be turned once, but thicker portions should be turned several times. In the case of fish, you should join the two ends, putting the tail in its mouth, and then put the fish on the grid iron.

Cooking with the Grill

Tables and suggestions – Microwave + Grill

The microwave + grill function is ideal for cooking quickly and, at the same time, browning foods. Furthermore, you can also grill and cook cheese covered food.

The microwave and the grill work simultaneously. The microwave cooks and the grill toasts.

Food	Quantity (oz.)	Dish	Power (Watt)	Time (min.)	Standing time (min.)
Cheese topped pasta	17	Low dish	400	12-17	3-5
Cheese topped potatoes	28	Low dish	600	20-22	3-5
Lasagna	approx. 28	Low dish	600	15-20	3-5
Grilled cream cheese	approx. 17	Low dish	400	18-20	3-5
2 fresh chicken legs (grilled)	7 each	Low dish	400	10-15	3-5
Chicken	approx. 35	Low and wide dish	400	35-40	3-5
Cheese topped onion soup	2 x 7 oz. cups	Soup bowls	400	2-4	3-5

Before using a dish in the microwave oven make sure that it is suitable for microwave use. Only use dishes or containers that are suitable for microwave use.

The dish to be used in the combined function must be suitable for microwave and grill use. See the section on types of ovenware!

Keep in mind that the figures given are merely indicative and can vary as a function of the initial state, temperature, moisture and type of food.

If the time is not enough to brown the food well, put it under the grill for another 5 or 10 minutes.

Please follow the standing times and don't forget to turn the meat pieces.

Unless indicated to the contrary, use the turntable plate for cooking.

The values given in the tables are valid when the oven cavity is cold (it is not necessary to pre-heat the oven).

WARNING! Never switch on the microwave when it is empty. If there is no food inside there may be an electrical overcharge and the oven could be damaged. RISK OF DAMAGE!

Roasting and baking

Table and advices – Preparing meat and cake

Microwave / Hot air

Food	Quantity (oz.)	Power (W)	Temperature (°F)	Time (Min.)	Standing time (min.)	Instructions
Roast beef	35-53	400	390	30-40	20	Do not put lid on container Turn once
Pork loin / Cutlet or bones Pork roast	28-36	200	350-370	50-60	20	Do not put lid on container Turn once
Whole chicken	35-43	400	390	30-40	10	Do not put lid on container. Turn the chicken chest down. Turn once.
Half chicken	17-35	400	390	25-35	10	Do not put lid on container. Turn the pieces with skin down. Turn once.
Roast loin of veal	53-71	200	350	60-65	20	Do not put lid on container. Turn once or twice. After turning keep it without lid
Beef topside	53-64	200	390	80-90	20	Do not put lid on container. Turn once or twice

Microwave / Baking

Pastry	Power (W)	Temperature (°F)	Time (Min.)	Standing time (min.)	Instructions
Chocolate– cherry pie	200	390	30	5-10	Turntable, Springform, Ø 28 cm
Cheesecake with fruit	400	350	40-45	5-10	Turntable, Springform, Ø 28 cm
Apple pie	200	360	40-45	5-10	Turntable, Springform, Ø 28 cm
Cheese cake with streusel	400	350	40-50	5-10	Turntable, Springform, Ø 26 cm
Nuts cake	200	340	30-35	5-10	Turntable, Cake tin

Advice to roast - bake

Turn the pieces of meat halfway through the cooking time. When the roasted meat is ready you should let it stand for 20 minutes in the oven with this switched off and closed. This will ensure the juices in the meat are well distributed.

The roasting temperature and time required depends on the type and amount of meat being cooked.

If the weight of the meat to be roasted does not appear on the table choose the settings for the weight immediately below and extend the cooking times.

Advice on ovenware

Check that the ovenware fits inside the oven.
Hot glass containers should be put on a dry kitchen cloth. If such containers are put on a cold or wet surface the glass may crack and break. Use oven gloves to take the ovenware out of the oven.

WARNING! Never switch on the microwave when it is empty. If there is no food inside there may be an electrical overcharge and the oven could be damaged. RISK OF DAMAGE!

Baking

Table and advices – baking/hot air

Type	Container	Level	Temperature (°F)	Time (min.)
Walnut cake	Spring-form type tin	Turntable	320	30/35
Fruit tart	Spring-form type tin Ø 28 cm	Turntable	320	35/45
Ring cake	Spring-form type tin	Turntable	320	30/45
Piquant cakes e.g. Pizza made with potatoes	Spring-form type tin	Turntable	370–390	50/70
Sponge cake	Spring-form type tin Ø 26 cm	Turntable	320	40/45
Jelly roll	Glass griddle	1	390	35/45
Cherry pie	Glass griddle	1	350-370	35/45

Advice on cake baking ware

The most commonly used type of baking ware is black metal tins. If you are also going to use the microwave, use glass, ceramic or plastic baking ware. These must be able to withstand temperatures up to 482°F. If you use these types of baking ware the cakes are not browned as much.

Advice on how to bake cakes

Different amounts and types of pastry require different temperatures and baking times. Try low settings first of all and then, if necessary, use higher temperatures next time. A lower temperature will result in more uniform baking. Always put the cake tray in the center of the turntable.

Baking suggestions

How to check if the cake is properly cooked

Start sticking a tooth pick in the highest part of the cake 10 minutes before the end of the baking time. When no dough sticks to the tooth pick the cake is ready.

If the cake is very dark on the outside:

Next time choose a lower temperature and let the cake bake for a longer time.

If the cake is very dry

Make small holes in the cake with a tooth pick after baking has finished. Then sprinkle the cake with some fruit juice or alcoholic drink. Next time increase the temperature by about 212°F and reduce the baking time.

If the cake does not come free when turned

Let the cake cool down for 5 to 10 minutes after baking and it will come out of the tin more easily. If the cake still does not come free run a knife carefully around the edges. Next time grease the cake tin well.

Advice on saving energy

When you are making more than one cake, it is advisable to bake them in the oven one after the other when the oven is still hot. This lets you reduce the baking time for the second and later cakes.

It is preferable to use dark colored baking ware - painted or enameled black – since such baking tins absorb heat better.

When dealing with long baking times, you can switch the oven off 10 minutes before the end of the time and make use of the residual heat to complete the baking.

What kind of ovenware can be used?

Microwave function

For the microwave function, keep in mind that microwaves are reflected by metal surfaces. Glass, china, clay, plastic, and paper let microwaves pass.

For this reason, **metal pans and dishes or containers with metal parts or decorations cannot be used in the microwave**. Glass ware and clay with **metallic decoration or content** (e.g. lead crystal) cannot be used in microwave ovens.

The **ideal** materials for use in microwave ovens are glass, refractory china or clay, or heat resistant plastic. Very thin, fragile glass or china should only be used for short period of times (e.g. heating).

Hot food transmits heat to the dishes which can become very hot. You should, therefore, always use an **oven glove!**

How to test ovenware you want to use

Put the item you want to use in the oven for 20 seconds at maximum microwave power. After that time, if it is cold and just slightly warm, it is suitable to use. However, if it heats up a lot or causes electric arcing it is not suitable for microwave use.

Grill and Hot air function

In the case of the grill function, the ovenware must be resistant to temperature of at least 572°F.

Plastic dishes are not suitable for use in the grill.

Combined functions

In the combined function, the ovenware must be suitable for use in conventional heating functions.

Aluminum containers and foil

Pre-cooked food in aluminum containers or in aluminum foil can be put in the microwave if the following aspects are respected:

- Keep in mind the manufacturer's recommendations written on the packaging.
- The aluminum containers cannot be more than 3 cm high or come in contact with the cavity walls (**minimum distance 3 cm**). Any aluminum lid or top must be removed.
- Put the aluminum container directly on top of the turntable plate. If you use the grid iron, put the container on a china plate. Never put the container directly on the grid iron!
- The cooking time is longer because the microwaves only enter the food from the top. If you have any doubts, it is best to use only dishes suitable for microwave use.
- Aluminum foil can be used to reflect microwaves during the defrosting process. Delicate food, such as poultry or minced meat, can be protected from excessive heat by covering the respective extremities/edges.
- **Important:** aluminum foil cannot come into contact with the cavity walls since this may cause electrical arcing.

Lids

We recommend you use glass or plastic lids or clinging film since:

1. This will stop excessive evaporation (mainly during very long cooking times);
2. The cooking times are shorter;
3. The food does not become dry;
4. The aroma is preserved.

The lid should have holes or openings so that no pressure develops. Plastic bags must also be opened. Baby feeding bottles or jars with baby food and similar containers can only be heated without their tops / lids otherwise they can burst.

What kind of ovenware can be used?

Table of Ovenware

The table below gives you a general idea of what type of ovenware is suitable for each situation.

Type of ovenware	Operating mode	Microwave		Grill and Hot – Air function	Combined functions (with microwaves)
		Defrosting / heating	Cooking		
Glass and china 1) Home use, not flame resistant, can be used in dish washer		yes	yes	no	no
Glazed china Flame resistant glass and china		yes	yes	yes	yes
China, stone ware 2) Unglazed or glazed without metallic decorations		yes	yes	no	no
Clay dishes 2) Glazed Unglazed		yes no	yes no	no no	no no
Plastic dishes 2) Heat resistant to 212°F Heat resistant to 482°F		yes yes	no yes	no no	no no
Plastic films 3) Plastic film for food Cellophane		no yes	no yes	no no	no no
Paper, cardboard, parchment 4)		yes	no	no	no
Metal Aluminum foil Aluminum wrappings 5) Accessories		yes no yes	no yes yes	yes yes yes	no yes yes

1. Without any gold or silver leaf edging; no lead crystal.
2. Keep the manufacturer's instructions in mind!
3. Do not use metal clips for closing bags. Make holes in the bags. Use the films only to cover the food.

4. Do not use paper plates.
5. Only shallow aluminum containers without lids/tops. The aluminum cannot come into contact with the cavity walls.

Cleaning is the only maintenance normally required.

Warning! Your microwave oven should be cleaned regularly, with all food remains being removed. If the microwave is not kept clean its surfaces may deteriorate, **reducing the oven's working life and possibly resulting in a dangerous situation.**

Warning! Cleaning should be done with the oven power switched off. Take the plug out of the socket or switch off the oven's power circuit.

Do not use aggressive or abrasive cleaning products, scourers that scratch surfaces or sharp objects, since stains may appear.

Do not use high pressure or stream jet cleaning appliances.

The door contact surfaces (the front of the cavity and the inside part of the doors) must be kept very clean in order to ensure the oven functions correctly.

Do not use harsh abrasive cleaners or sharp metal scrapers to clean the oven door glass since they can scratch the surface, which may result in shattering of the glass.

Front surface

Normally you just need to clean the oven with a damp cloth. If it is very dirty, add a few drops of dishwashing liquid to the cleaning water. Afterwards, wipe the oven with a dry cloth.

Immediately remove lime, fat, starch or egg white stains. Corrosion can occur under these stains.

Do not let any water get inside the oven.

Oven interior

After each time the oven is used, clean the inside walls with a damp cloth since this is the easiest way to remove splashes or spots of food that may have stuck to the inside.

To remove dirt that is harder to shift, use a non-aggressive cleaning product. **Do not use oven sprays or other aggressive or abrasive cleaning products.**

Always keep the door and the oven front very clean to ensure that the door opens and closes properly.

Make sure water does not enter the microwave ventilation holes.

Regularly take out the turntable plate and the respective support and clean the cavity base, especially after any liquid spillage.

Do not switch on the oven without the turntable and the respective support being in place.

If the oven cavity is very dirty, put a glass of water on the turntable and switch on the microwave oven for 2 or 3 minutes at maximum power. The steam released will soften the dirt which can then be cleaned easily using a soft cloth.

Unpleasant odors (e.g. after cooking fish) can be eliminated easily. Put a few drops of lemon juice in a cup with water. Put a spoonful of coffee in the cup to avoid the water boiling over. Heat the water for 2 to 3 minutes at maximum microwave power.

Oven Cleaning and Maintenance

Oven ceiling

If the oven ceiling is dirty, the grill can be lowered to make cleaning easier.

To avoid the danger of burning, wait until the grill is cold before lowering it. Proceed as follows:

1. Turn the grill support by **180° (1)**.
2. Lower the grill gently **(2)**. **Do not use excessive force as this may cause damage.**
3. After cleaning the ceiling, put the grill **(2)** back in its place, carrying out the previous operation.

IMPORTANT WARNING: The grill heating element support **(1)** may fall when it is rotated. If this happens, insert the grill heating element support **(1)** into the slot in the ceiling of the cavity and rotate it 90° to the grill heating element support **(2)** position.

The mica cover (3) located in the ceiling must always be kept clean. Any food remains that collect on the mica cover can cause damage or provoke sparks.

Do not use abrasive cleaning products or sharp objects.

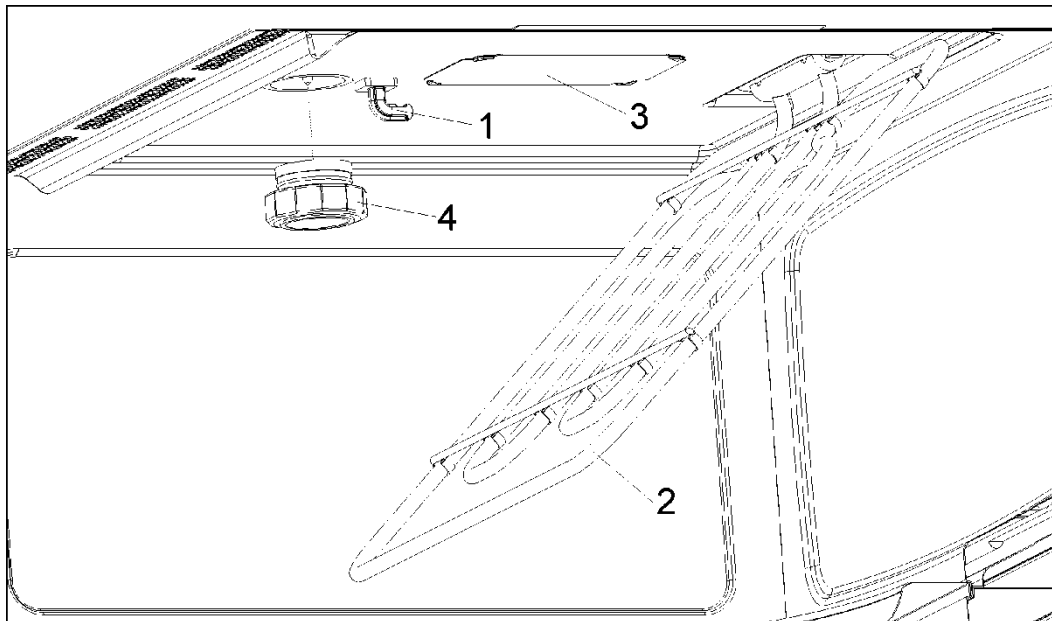
To avoid any risk, do not remove the mica cover.

The glass lamp cover **(4)** is located on the oven ceiling and can be removed easily for cleaning. For this you just need to unscrew it and clean it with water and dishwashing liquid.

Accessories

Clean the accessories after each use. If they are very dirty, soak them first of all and then use a brush and sponge. The accessories can be washed in a dish washing machine.

Make sure that the turntable plate and the respective support are always clean. Do not switch on the oven unless the turntable and the respective support are in place.



What should I do if the oven doesn't work?

WARNING! Any type of repair must only be done by a specialized technician. Any repair done by a person not authorized by the manufacturer is dangerous.

You do not need to contact Technical Assistance to resolve the following questions:

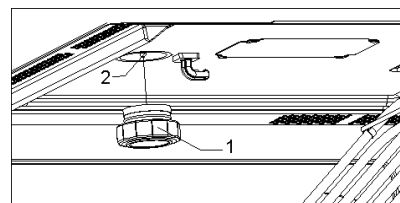
- The display is not showing! Check if:
 - The time indication has been switched off (see section on Basic Settings).
- Nothing happens when I press the keys! Check if:
 - The Safety Block is active (see section on Basic Settings).
- The oven does not work! Check if:
 - The plug is correctly fitted in the socket.
 - The oven's power is switched on.
 - The door is completely closed. The door should close with an audible click.
 - There are any foreign bodies between the door and the cavity front.
- When the oven is operating I can hear some strange noises! Check if:
 - There is any electrical arcing inside the oven caused by foreign metallic objects (see section on type of ovenware).
 - The ovenware is touching the oven walls.
 - There are any loose items of cutlery or cooking tools inside the oven.
- The food doesn't heat up or heats very slowly! Check if:
 - You have inadvertently used metal ovenware.
 - You have selected the correct operating times and power level.
 - The food you have put inside the oven is a larger amount or colder than you usually put in.
- **The food is too hot, dried out or burnt!** Check if you selected the correct operating time and power level.

- **I hear some noises after the cooking process is finished!** This is not a problem. The cooling fan keeps on working for some time. When the temperature has dropped sufficiently, the fan will switch itself off.
- **TV/radio interference might be noticed while using the microwave, similar to the interference caused by other small appliances.** This is not a problem with the Microwave. Move the radio or TV as far away from the microwave as possible, or check the position of the TV/radio antenna.
- **The oven switches on but the interior light does not go on!** If all the functions work properly it is probable that the lamp has blown. You can keep on using the oven

Substitution of light bulb

To substitute the light bulb, proceed as follows:

- Disconnect the oven from the power supply. Take the plug out of the socket or switch off the oven's power circuit.
- Unscrew and remove the glass light cover **(1)**.
- Remove the halogen light bulb **(2)**. **Warning! The bulb may be very hot.**
- Fit a new **G4/12V/10-20W** halogen bulb. **Warning! Do not touch the light bulb surface directly with your fingers because you may damage the bulb.** Follow the lamp manufacturer's instructions.
- Screw the glass light cover into place **(1)**.
- Connect the oven again to the power supply.



Technical characteristics

Specifications

- AC Voltage..... 240V, 2ph, 60Hz
- Power required 3850 W
- Grill power..... 1500 W
- Hot air power 1600 W
- Microwave output power..... 1000 W
- Microwave frequency... 2450 MHz
- Exterior dimensions (W×H×D). 23 ½ x 17 ⅞ x 21 ½
- Interior dimensions (W×H×D). 16 ½ x 8 ¼ x 15 ½
- Oven capacity. 1.34 ft³
- Weight..... 78 lbs

Installation instructions

Before installation

Check that the input voltage indicated on the rating plate is the same as the voltage of the power outlet you are going to use. The rating plate is located on the front part of the cavity and it is only visible after opening the door.

If required by the National Electrical Code (or Canadian Electrical Code), this appliance must be installed on a separate branch circuit.

Installer – show the owner the location of the circuit breaker or fuse. Mark it for easy reference.

Before installing, turn power OFF at the service panel. Lock service panel to prevent power from being turned ON accidentally.

Be sure your appliance is properly installed and grounded by a qualified technician. Installation, electrical connections and grounding must comply with all applicable codes.

Open the oven door and **take out all the accessories** and remove the packing material.

Do not remove the mica cover on the ceiling of the interior! This cover stops fat and pieces of food damaging the microwave generator.

Warning! The front surface of the oven may be wrapped with a **protective film**. Before using the oven for the first time, carefully remove this film, starting on the inside.

Make sure that the oven is not damaged in any way. Check that the oven door closes correctly and that the interior of the door and the front of the oven opening are not damaged. If you find any damage contact the Technical Assistance Service.

DO NOT USE THE OVEN if the metal conduit is damaged, if the oven does not function correctly or if it has been damaged or dropped. Contact the Technical Assistance Service.

Place the oven on a flat and stable surface. The oven must not be put close to any sources of heat, radios or televisions.

Electrical supply

Before installing the oven have a qualified electrician verify that your home is provided with adequate electrical service and that the addition of the oven will not overload the branch circuit on which it is to be installed.

A separate three-wire or four-wire single phase, 240 Volt, 60 Hz, branch circuit is required.

For hook-up of the oven you will need to have an approved junction box installed where it will be easily reached through the front of the cabinet where the oven will be located. The oven has 3 feet of conduit.

Allow two to three feet of slack in the line so that the oven can be moved if servicing is ever necessary.

DO NOT shorten the flexible conduit.

Wiring requirements

When making the wire connections, use the entire length of the conduit provided (3 feet). The conduit must not be cut.

Before making connections make sure the power is off and read and observe the following:

1. A separate three-wire or four-wire, single phase, 240 Volt, 60 Hz branch circuit is required for the oven.
2. The oven must be connected with Copper or Aluminum wire.
3. In the United States:

Wiring must conform to the National Electrical Code, ANSI/NFPA No. 7 latest edition. You can obtain a copy of the National Electrical Code by writing to: National Fire Protection Association Batterymarch Park Quincy, MA 02269

Installation instructions

In Canada:

Wiring must conform to Canadian Electrical Code C22.1- latest edition. You can obtain a copy of the Canadian Electrical Code by writing to: Canadian Standards Association 178 Rexdale Boulevard Rexdale (Toronto), Ontario, Canada M9W 1R3

4. Wire size (Copper or Aluminum wire) and connections must be suitable for the rating of the appliance as per the National Electrical Code requirements. The flexible armoured cable extending from the oven should be connected directly to the junction box.
5. The junction box should be located so as to allow as much slack as possible between the junction box and the oven so it can be moved if servicing is ever required.
6. A U.L. listed conduit connector must be provided at each end of the power supply cable.

Electrical connections

Be sure your appliance is properly installed and grounded by a qualified technician. Ask your dealer to recommend a qualified technician or an authorized repair service.

This appliance is manufactured with a green GROUND wire connected to the oven chassis. After making sure that the power has been turned off, connect the flexible conduit from the oven to the junction box using a U.L. listed conduit connector. The figures and the instructions provided below present the most common way of connecting the ovens.

Your local codes and ordinances, of course, take precedence over these instructions.

WARNING” Risk of Electric Shock, frame grounded to neutral of appliance through a link.

Grounding through the neutral conductor is prohibited for new branch-circuit installations (1996

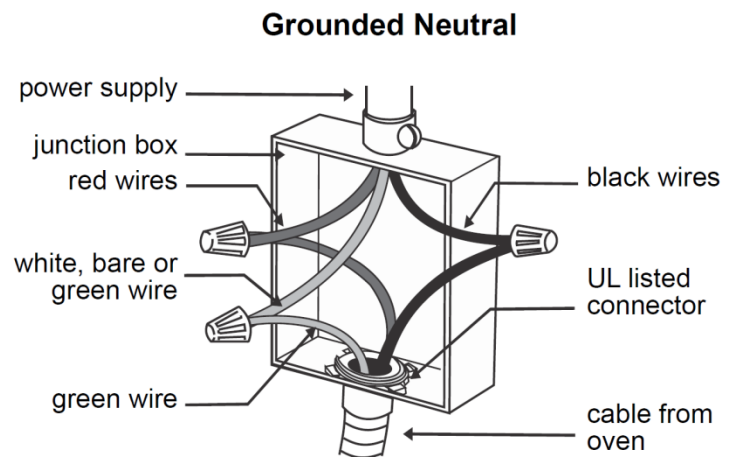
NEC); mobile homes; and recreational vehicles, or in an area where local codes prohibit grounding through the neutral conductor. For installations where grounding through the neutral conductor is prohibited:

- Disconnect the ground from the neutral at free end of conduit;
- Use grounding terminal or lead to ground unit; and
- Connect neutral terminal or lead to branch circuit neutral in usual manner.

3-Wire branch circuit (for US only)

Refer to the following Figure, where local codes allow the connection of GROUND wire from the oven to the branch circuit NEUTRAL wire (gray or white colored wire):

- If local codes permit, connect the green GROUND wire from the oven and the white wire from the oven to the branch circuit NEUTRAL wire (gray or white colored wire).
- Connect the red and black leads from the oven to the corresponding leads in the junction box.



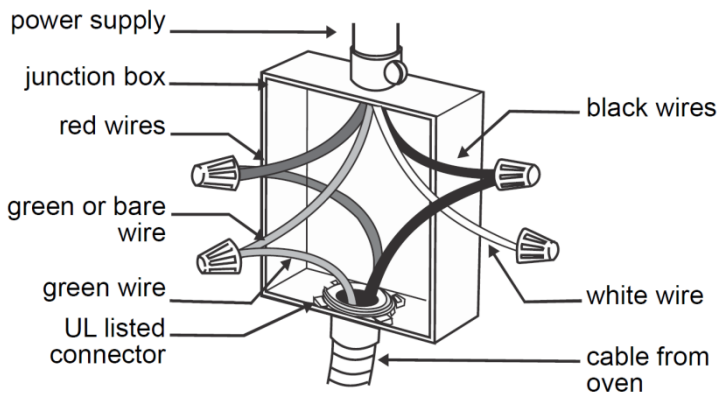
Installation instructions

4-Wire branch circuit (for US and CANADA)

Refer to the following Figure:

- Disconnect ground from neutral at free end of conduit.
- Connect the green GROUND wire from the oven to the GROUND wire in the junction box (bare or green colored wire).
- Connect the red and black leads from the oven to the corresponding leads in the junction box.

Ungrounded Neutral

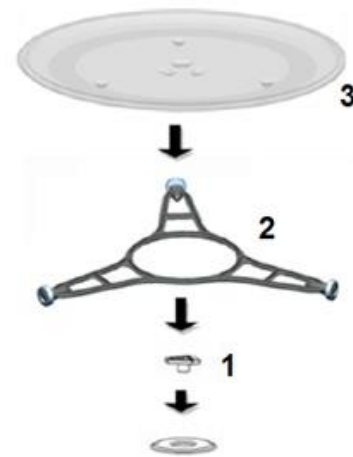


After installation

The oven only functions when the door is closed correctly.

After the first use, clean the inside of the oven and the accessories, following the cleaning instructions given in the section “Oven cleaning and maintenance”.

Fit the Turntable support in the center of the oven cavity and put the Turntable ring and the Turntable plate on top, making sure they slot in. Whenever you use the microwave, the turntable plate and the respective accessories must be inside and correctly fitted. The turntable plate can rotate in both directions.



Sommaire

Instructions pour lier à la terre	44
Consignes de sécurité importantes	45
Précautions pour éviter une exposition excessif aux microondes	47
Précautions à être observées avant et durant l'entretien pour éviter une possible exposition à un excès d'énergie du microondes	48
Instructions concernant la sécurité	49
Les avantages des micro-ondes	51
Description du four.....	52
Réglages de base	54
Fonctions de base	56
Fonctions spéciales	61
Pendant le fonctionnement.....	63
Décongélation	64
Cuisiner aux micro-ondes.....	66
Cuisiner au gril.....	68
Rôtir et cuire.....	70
Quel type de vaisselle pouvez-vous utiliser?.....	73
Nettoyage et entretien du four	75
Que faire en cas de mauvais fonctionnement ?.....	77
Caractéristiques techniques	78
Instructions pour l'installation.....	79
Installation du four	82

Cher client,

Nous vous remercions d'avoir préféré notre produit **BERTAZZONI**. Nous sommes certains que ce four à micro-ondes moderne, fonctionnel et pratique, fabriqué avec des matériaux de première qualité, vous donnera toute satisfaction.

Nous vous demandons une lecture attentive des instructions de ce manuel. Elles vous permettront d'utiliser votre four en obtenant les meilleurs résultats.

CONSERVEZ TOUTE LA DOCUMENTATION DE CE PRODUIT POUR LA CONSULTER ULTÉRIEUREMENT.

Gardez toujours le manuel d'instructions à portée de main. Si vous cédez l'appareil à un tiers, remettez-lui également le manuel.

Le Four Speed **PROF24SOEX** respecte la section 18 du règlement FCC.

Vous pouvez aussi télécharger le manuel d'utilisation sur www.bertazzoni.com

INSTRUCTIONS POUR LIER À LA TERRE

L'appareil doit être lié à la terre. En cas de court-circuit électrique, la liaison à la terre réduit le risque de choc électrique grâce à la fuite permise par le fil de terre. L'appareil vient équipé avec un fil de terre ainsi que la prise de terre. La fiche doit être branchée dans une prise correctement installée et liée à la terre.

Attention! UNE MAUVAISE LIAISON À LA TERRE PEUT PROVOQUER UN RISQUE DE CHOC ÉLECTRIQUE.

Consultez un électricien qualifié si les instructions pour lié à la terre ne sont pas complètement comprises ou en cas de doute quant à savoir si l'appareil est correctement lié à la terre. Ne pas utiliser de rallonge. Si le cordon d'alimentation est trop court, demandez à un électricien qualifié d'installer une prise près de l'appareil.

CONSIGNES DE SÉCURITÉ IMPORTANTES

Lors de l'utilisation des appareils électriques les précautions bases de sécurité doivent être respectées, y compris ce qui suit.

Attention! Pour réduire le risque de brûlures, d'électrocution, d'incendie, de blessure ou d'exposition à l'énergie micro-ondes excessive :

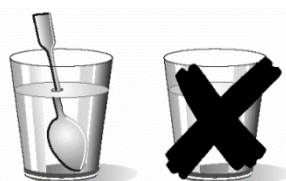
- Lisez toutes les instructions avant d'utiliser l'appareil.
- Lisez et suivez les " PRÉCAUTIONS POUR ÉVITER UNE EXPOSITION AUX MICRO-ONDES " spécifiques indiqués sur ce manuel.
- L'appareil doit être lié à la terre. Connectez uniquement à une prise de terre. Voir "CONSIGNES DE LIAISON À TERRE" présentées dans ce manuel.
- Installer ou placer l'appareil en conformité aux instructions d'installation fournies.
- Certains produits comme les œufs entiers et des contenants scellés - par exemple, des bocaux en verre fermés peuvent exploser et ne doivent pas être chauffés dans ce four.
- Utilisez cet appareil uniquement pour l'usage prévu comme décrit dans le manuel. Ne pas utiliser de produits chimiques corrosifs dans cet appareil. Ce type de four a été spécialement conçu pour chauffer, cuire ou sécher des aliments. Il n'est pas conçu pour utilisation industriel ou de laboratoire.
- Comme dans tout appareil, une surveillance étroite est nécessaire quand il est utilisé par les enfants.
- Ne pas utiliser cet appareil s'il a le cordon ou la fiche endommagés, s'il ne fonctionne pas correctement, s'il a été endommagé ou s'il est tombé.
- Cet appareil doit être réparé que par un technicien qualifié. Contactez le centre de service agréé le plus proche pour une examinations, réparation ou réglage.
- Ne pas couvrir ou obstruer les ouvertures sur les appareils.
- Ne stockez pas cet appareil à l'extérieur. Ne pas utiliser ce produit près de l'eau - par exemple près d'un évier de cuisine, dans un sous-sol humide, près d'une piscine, ou des endroits similaires.
- Ne pas immerger le cordon ou la fiche dans l'eau.
- Garder le cordon loin des surfaces chauffées.
- Ne laissez pas le cordon pendre de la table ou du comptoir.

CONSIGNES DE SÉCURITÉ IMPORTANTES

- Lors du nettoyage de surfaces de la porte et du four qui se réunit à la fermeture de la porte, utilisez uniquement du savon léger et non abrasif ou du détergent et une éponge ou un chiffon doux.

Pour réduire le risque d'incendie dans la cavité du four :

- Ne pas trop cuire les aliments. Surveillez attentivement votre four lorsque du papier , du plastique ou d'autres matériaux combustibles sont placés à l'intérieur du four pour faciliter la cuisson .
- Retirer les attaches de sacs en papier ou en plastique avant de les placer dans le four.
- Si des matériaux à l'intérieur du four prennent feu, gardez la porte du four fermée, éteignez le four et débranchez le cordon d'alimentation ou coupez le courant du fusible ou du panneau de disjoncteurs.
- Ne pas utiliser la cavité à des fins de stockage . Ne laissez pas de produits en papier, ustensiles de cuisine, ou de la nourriture dans la cavité lorsqu'il n'est pas utilisé.
- Les liquides tels que l'eau, le café ou le thé peuvent être surchauffés au-delà du point d'ébullition sans sembler bouillir . Bullage ou ébullition visible lorsque le récipient est retiré du four à micro-ondes ne sont pas toujours présents. **CELA POURRAIT PROVOQUER QUE DES LIQUIDES TRÈS CHAUDS DÉBORDENT** lorsque le récipient est perturbé ou un ustensile dans le liquide.



- Pour éviter ce genre de situation pour le chauffage de liquides, mettez une cuillère à café ou une tige en verre à l'intérieur du récipient.

PRÉCAUTIONS POUR ÉVITER UNE EXPOSITION AUX MICRO- ONDES

- (a) Ne pas faire fonctionner ce four avec la porte ouverte, car le fonctionnement de la porte peut entraîner a une dangereuse exposition d'énergie des micro-ondes. Il est important de ne pas annuler ou de ne pas modifier les dispositifs de verrouillage de sécurité.
- (b) Ne placez aucun objet entre le front de l'appareil et la porte. Ne pas laisser de souillures ou résidus du produit de nettoyage s'accumuler sur les surfaces d'étanchéité.
- (c) Ne pas faire fonctionner le four s'il est endommagé. Il est particulièrement important que la porte du four ferme correctement et qu'il n'y ait pas de dommages : (1) sur la porte (tordue), (2) aux charnières et verrous (brisés ou desserrés), (3) et aux joints et surfaces d'étanchéité.
- (d) Le four doit pas être réglé ou réparé uniquement par un technicien qualifié.
- (e) Une vérification des fuites des micro-ondes, pour vérifier la conformité avec les normes de performance fédérale, doit être effectuée sur chaque four à être livre au propriétaire.

Pacemakers:

La plupart des pacemakers sont protégés des interférences des appareils électroniques y compris les micro-ondes. Cependant, les patients porteurs de pacemakers peuvent consulter leur médecin en cas de doute.

PRÉCAUTIONS À ÊTRE OBSERVÉES AVANT ET DURANT L'ENTRETIEN POUR ÉVITER UNE POSSIBLE EXPOSITION À UN EXCÈS D'ÉNERGIE DU MICRO ONDES

- (a) Ne pas opérer ou permettre que le four soit utilisé avec la porte ouverte.
- (b) Faire les vérifications suivantes sur tous les fours à être utilisés avant d'activer le magnétron ou une autre source de micro ondes, et faire les réparations nécessaires: opération de verrouillage, fermeture de la porte correcte, joints et surfaces d'étanchéité (l'arc électrique, revêtement, autres dommages), dommage ou relâchement de charnières et loquets, preuves de chute ou d'abus.
- (c) Avant de brancher le micro ondes pour un service de test où inspection au compartiment générateur de micro-ondes, vérifier le magnétron, guide d'ondes ou ligne de transmission et la cavité pour un propre alignement, intégrité et connexion.
- (d) Tout défaut ou dé-réglage de composants du verrouillage, moniteur, joint de la porte et les systèmes de la génération et de transmission de micro-ondes doivent être réparés, remplacés ou ajustés par les procédures décrites sur ce mode d'emploi avant que le four soit livré au propriétaire.
- (e) Une vérification des fuites des micro-ondes, pour vérifier la conformité avec les normes de performance fédérale, doit être effectuée sur chaque four à être livré au propriétaire.

Instructions concernant la sécurité



- **Attention !** Vous devez surveiller votre four si vous utilisez du papier, du plastique ou autres matériaux inflammables. Ces matériaux peuvent être carbonisés et brûler. **RISQUE DE FEU !**
- **Attention !** Si du feu ou des flammes se dégagent, gardez la porte fermée pour étouffer les flammes. Éteignez le four et débranchez la prise de courant ou coupez l'alimentation électrique.
- **Attention !** Ne chauffez pas de l'alcool pur ni des boissons alcooliques. **RISQUE DE FEU !**
- **Attention !** N'utilisez pas des récipients fermés pour chauffer des liquides ou d'autres aliments, ils pourraient éclater facilement.
- **Attention !** Cet appareil n'est pas indiqué pour l'utilisation de la part de personnes (y compris les enfants) ayant des capacités physiques, sensorielles ou mentales réduites. Les utilisateurs n'ayant pas l'expérience, une connaissance suffisante de l'appareil ou n'ayant pas reçu les instructions relatives à l'appareil, devront faire l'objet d'un contrôle de supervision de la part d'une personne responsable de leur sécurité. Il est nécessaire de surveiller les enfants pour empêcher qu'ils ne jouent avec l'appareil.
- **Attention !** Si le four possède un mode de fonctionnement combiné (micro-ondes plus autres moyens de chauffage), ne laissez pas les enfants utiliser le four sans la présence d'un adulte en raison des hautes températures générées par le four.
- **Attention!** Le four ne peut pas être utilisé si:
 - La porte ne ferme pas correctement ;
 - Les gonds de la porte sont endommagés ;
 - Les surfaces de contact entre la porte et l'avant de l'appareil sont endommagées ;
 - La vitre de la porte est endommagée ;

- Il y a fréquemment un arc électrique à l'intérieur, malgré l'absence de tout objet métallique.

Le four ne peut être réutilisé qu'après avoir été réparé par un technicien du Service d'assistance technique.

- Lors de son utilisation, l'appareil devient chaud. Faire attention à ne pas toucher les éléments chauffants situés à l'intérieur du four.
- **MISE EN GARDE:** Les parties accessibles peuvent devenir chaudes au cours de l'utilisation. Il est recommandé d'éloigner les jeunes enfants.
- Ne pas utiliser de produits d'entretien abrasifs ou de grattoirs métalliques durs pour nettoyer la porte en verre du four, ce qui pourrait érafler la surface et entraîner l'éclatement du verre.

Attention!

- Ne mettez jamais ni bouchon ni couvercle ni tétine sur les récipients destinés à chauffer les aliments pour bébés. Après avoir chauffé l'aliment, remuez ou agitez bien afin de distribuer uniformément la chaleur. Vous devez vérifier la température de l'aliment avant de le donner à l'enfant. **DANGER DE BRÛLURE !**
- Pour éviter que les aliments ne chauffent trop ou ne prennent feu, il est très important, quand vous chauffez de **petites quantités d'aliments**, de ne pas sélectionner des périodes de fonctionnement trop longues, ni des niveaux de puissance trop élevés. Le pain, par exemple, peut brûler au bout de 3 m avec une puissance trop élevée.
- Utilisez la fonction grill seulement pour gratiner et surveillez constamment l'appareil. Si vous utilisez un mode de fonctionnement combiné pour le grill, prêtez attention au temps.
- N'approchez jamais les câbles d'alimentation d'autres appareils électriques de la porte chaude du four. La gaine isolante pourrait fondre. Danger de court-circuit !!

Votre four est exclusivement destiné à un usage domestique !

Utilisez votre four exclusivement pour la préparation des repas.

Vous éviterez d'endommager votre four ainsi que toute autre situation dangereuse si vous respectez les indications suivantes :

- Ne mettez pas le four en fonctionnement sans le **manchon**, le **support plateau** et le **plateau rotatif**.
- **Ne mettez pas votre four en marche à vide**. Sans rien à chauffer, il peut en effet se trouver en surcharge et être endommagé. **RISQUE DE DÉTÉRIORATION !**
- **Pour effectuer des tests de programmation** du four, placez-y un verre d'eau. Celle-ci absorbera les micro-ondes et le four ne sera pas endommagé.
- Ne couvrez pas, n'obstruez pas les **ouvertures de ventilation**.
- N'utilisez que de la **vaisselle adéquate** pour micro-ondes. Vérifiez, avant de les utiliser dans le four, que la vaisselle et les récipients sont adaptés (voir chapitre sur le type de vaisselle).
- **Ne retirez pas le couvercle de mica situé au plafond de la cavité !** Ce couvercle évite que les graisses et particules d'aliments n'endommagent le générateur de micro-ondes.
- Ne laissez aucun **objet inflammable** dans le four, il peut brûler si vous l'allumez.
- N'utilisez pas le four comme **rangement**.
- Vous ne pouvez pas cuire **les œufs, avec ou sans coquille**, dans un four micro-ondes car ils peuvent éclater.
- N'utilisez pas le four micro-ondes pour **faire dans l'huile**, car il est impossible d'en contrôler la température sous l'action des micro-ondes.
- **Pour éviter les brûlures**, utilisez toujours des gants de cuisine pour manipuler les récipients et toucher le four.
- Ne vous appuyez pas, ne mettez aucun poids sur la porte ouverte du four. Cela

pourrait endommager la zone des gonds. La porte peut supporter un poids maximum de 8 kg..

- Le plateau rotatif et les grilles supportent une charge maximum de 8 kg. Ne dépassez pas cette charge, pour éviter des dégâts.

Nettoyage :

- **Attention!** Le four micro-ondes doit être nettoyé régulièrement, toutes les particules d'aliments doivent être retirées (voir chapitre Nettoyage du four). À défaut d'un entretien régulier du four micro-ondes, sa surface peut se détériorer, **sa vie utile peut se réduire et une situation dangereuse peut éventuellement survenir**.
- Les surfaces de contact de la porte (l'avant de la cavité et la partie intérieure de la porte) doivent être maintenues très propres pour garantir le bon fonctionnement du four.
- S'il vous plaît, soyez attentif aux indications concernant le nettoyage, figurant au point « Nettoyage et entretien du four » .

En cas de réparation :

- **Attention – Micro-ondes ! La protection extérieure ne doit pas être retirée.** Toute réparation ou maintenance effectuée par des personnes non autorisées par le fabricant est dangereuse.
- Si le câble d'alimentation est endommagé, il doit être remplacé par le fabricant, par des agents certifiés ou des techniciens qualifiés à cet effet, de façon à éviter des situations dangereuses et parce que les outils utilisés sont spécifiques.
- Les réparations ou opérations de maintenance, en particulier des pièces sous tension, ne peuvent être réalisées que par des techniciens certifiés par le fabricant..

Les avantages des micro-ondes

Avec une cuisinière traditionnelle, la chaleur créée par les brûleurs de gaz ou par les résistances pénètre lentement de l'extérieur vers l'intérieur de l'aliment. Il y a par conséquent une grande perte d'énergie pour chauffer l'air, les composants du four et les récipients.

Dans les micro-ondes, la chaleur est générée par les aliments eux-mêmes, elle passe de l'intérieur vers l'extérieur. Il n'y a aucune perte de chaleur dans l'air, dans les parois de la cavité ni dans les récipients (s'ils sont bien adaptés aux micro-ondes), c'est-à-dire que seul l'aliment est chauffé.

En résumé, les fours micro-ondes offrent les avantages suivants :

1. Gain de temps de cuisson : réduction jusqu'à 3/4 du temps par rapport à la cuisson traditionnelle.
2. Décongélation ultrarapide des aliments, ce qui réduit le risque de produire des bactéries.
3. Économie d'énergie.
4. Le temps de cuisson étant réduit, les aliments gardent mieux leur valeur nutritive.
5. Nettoyage facile.

Mode de fonctionnement du four micro-ondes

Le four micro-ondes possède une valve à haute tension appelée magnétron, qui convertit l'énergie électrique en énergie micro-ondes. Ces ondes électromagnétiques sont canalisées vers l'intérieur du four au moyen d'un conducteur d'ondes puis distribuées par un diffuseur métallique ou au moyen d'un plateau rotatif.

À l'intérieur du four, les micro-ondes se propagent dans tous les sens et sont réfléchies par les parois métalliques. Elles pénètrent alors uniformément dans les aliments.

Comment les aliments chauffent-ils?

Tous les aliments contiennent de l'eau dont les molécules vibrent sous l'action des micro-ondes.

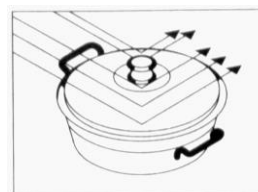
La friction entre les molécules provoque la chaleur qui élève la température des aliments. Ils peuvent être décongelés, cuits ou maintenus chauds.

Du fait que les aliments chauffent de l'intérieur :

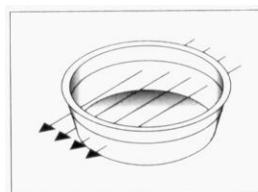
- Ils peuvent être cuisinés sans liquides ni graisses, ou avec très peu ;
- Décongeler, chauffer ou cuisiner est plus rapide dans un four micro-ondes que dans un four conventionnel ;
- Les vitamines, sels minéraux et substances nutritives sont conservés ;
- Ni la couleur naturelle ni le goût ne sont altérés.

Les micro-ondes traversent la porcelaine, le verre, le carton, le plastique, mais pas le métal. Vous ne pouvez donc pas utiliser dans le four micro-ondes de récipients métalliques, ou dont certaines parties sont en métal.

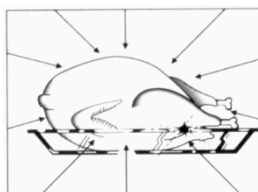
Les micro-ondes sont réfléchies par le métal...



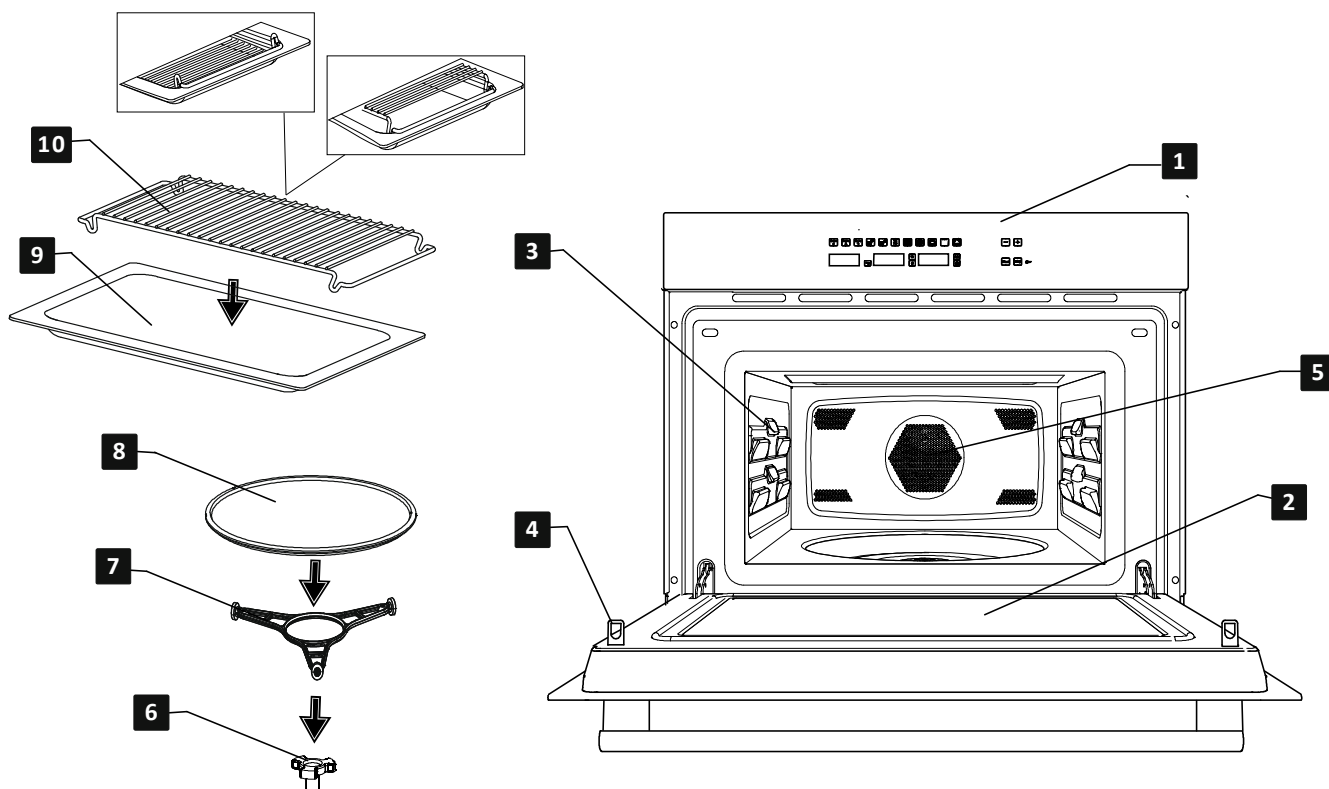
...traversent le verre et la porcelaine...



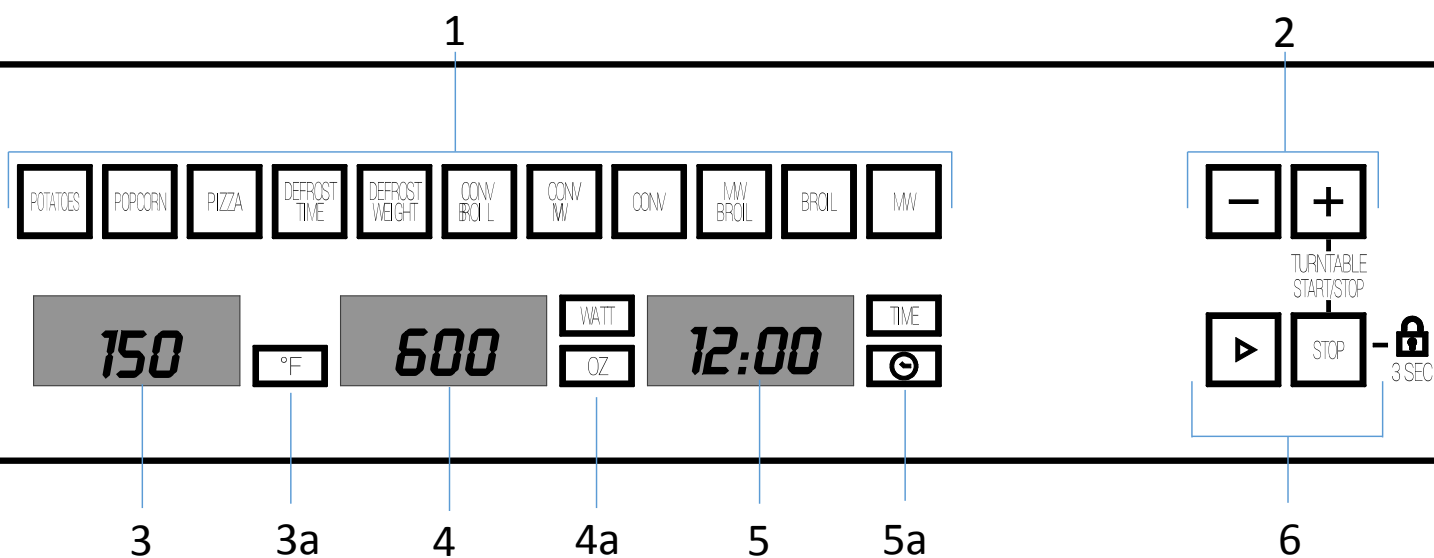
... et sont absorbées par les aliments.



FR Description du four



- | | |
|-----------------------------------|----------------------------|
| 1. – Tableau de commandes | 6. – Manchon du moteur |
| 2. – Vitre de la porte | 7. – Support plateau |
| 3. – Cran pour support du plateau | 8. – Plateau rotatif |
| 4. – Verrou | 9. – Plateau en verre |
| 5. – Sortie d'air chaud | 10. – Grille rectangulaire |



- | | |
|---|--|
| 1. – Sélecteur de fonctions | 4a. – Affichage puissance / poids |
| 2. – Touches “+” et “-” | 5. – Touche de sélection durée / horloge |
| 3. – Touche de sélection de température du four | 5a. – Affichage durée / horloge |
| 3a. – Affichage de température du four | 6. – Touche Start / Stop / Blocage de sécurité |
| 4. – Touche de sélection puissance/poids | |

Description du four

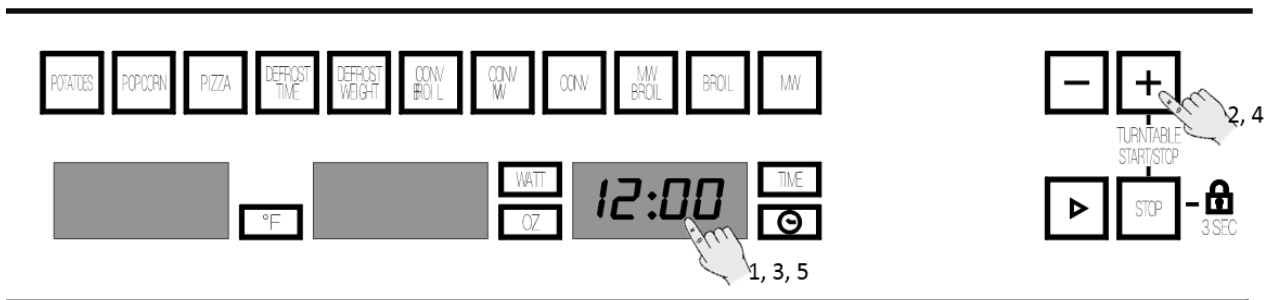
Description des fonctions

Symbole	Fonction	Puissance Micro-ondes	Aliments
MW	Micro-ondes	200 W	Décongeler lentement les aliments délicats ; pour décongeler et continuer de cuire à faible puissance.
		400 W	Cuire de la viande, du poisson et du riz. Décongeler rapidement de petites quantités et aliments pour bébés, comme par exemple les biberons.
		600 W	Chauffer et cuire les aliments.
		800 W	Cuire des légumes et pommes de terre. Cuire des gratins et des plats cuisinés. Décongeler et cuire de petites quantités.
		1000 W	Chauffer des liquides.
BROIL	Gril	---	Griller des aliments.
MW BROIL	Micro-ondes + Gril	200 W	Gratiner des toasts.
		400 W	Griller volailles et viande.
		600 W	Cuisiner tourtes et gratins.
CONV	Air chaud	---	Rôtir et cuire.
CONV MW	Micro-ondes + Air chaud	---	Griller viande et poisson, en morceaux fins.
			Griller de la volaille.
			Frites – décongeler et dorer des produits ultracongelés.
CONV BROIL	Gril + Air chaud	200-600 W	Rôtir rapidement viande, poisson et volailles. Cuire gâteaux secs et humides.
DEFROST WEIGHT	Décongélation	---	Décongélation en fonction du poids (automatique)
DEFROST TIME	Décongélation	---	Décongélation en fonction du temps (manuel)
PIZZA	Pizza	---	Pour cuire pizza.
POPCORN	Pop-corn	---	Pour cuire du pop-corn au micro-ondes
POTATOES	Pommes de terre	---	Pour cuire les pommes de terre.

FR

Réglages de base

Réglage de l'horloge



Après une coupure d'électricité, ou si le four a été rebranché, l'horloge clignote pour indiquer que l'indication de l'heure n'est pas correcte. Pour régler l'horloge, procédez de la façon suivante :

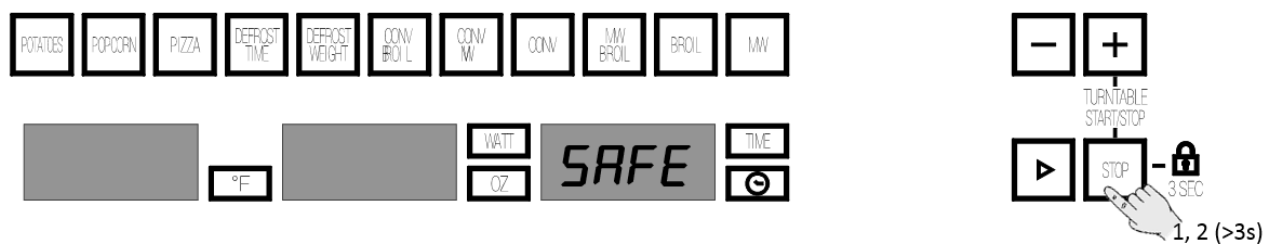
1. Appuyez sur la touche de l'**Horloge** pour 6 secondes. Les chiffres des heures commencent à clignoter.
2. Appuyez sur les touches « - » et « + » pour définir les heures.
3. Appuyez de nouveau sur la touche **Horloge** pour définir les minutes. Les minutes clignotent.
4. Appuyez sur les touches « - » et « + » pour définir les minutes.
5. Pour terminer, appuyez de nouveau sur la touche **Horloge**.

Affichage de l'horloge

Pour économiser l'énergie, l'horloge est normalement caché.

Si vous voulez voir l'horloge, appuyez brièvement sur la touche de l'horloge et l'horloge sera visible.

Blocage de sécurité

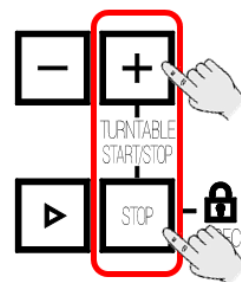
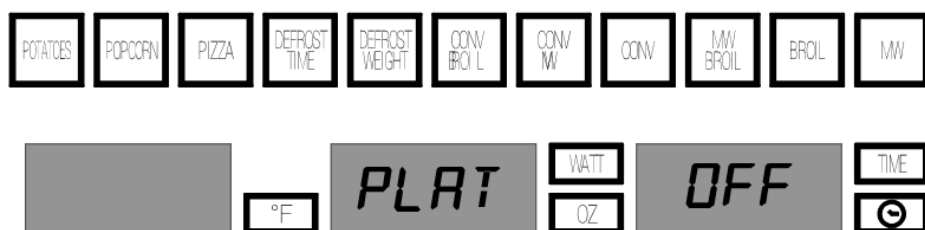


Vous pouvez bloquer le fonctionnement du four (par exemple pour empêcher son utilisation par des enfants).

1. Pour bloquer le four, appuyez sur la touche **Stop** pendant 3 secondes. Un signal sonore est alors émis et l'**écran** affiche le mot « SAFE ». Le four est alors bloqué, toute opération est interdite.
2. Pour débloquer le four, appuyez de nouveau sur la touche **Stop** pendant 3 secondes. Le signal sonore est émis et l'**écran** donne de nouveau indication de l'heure.

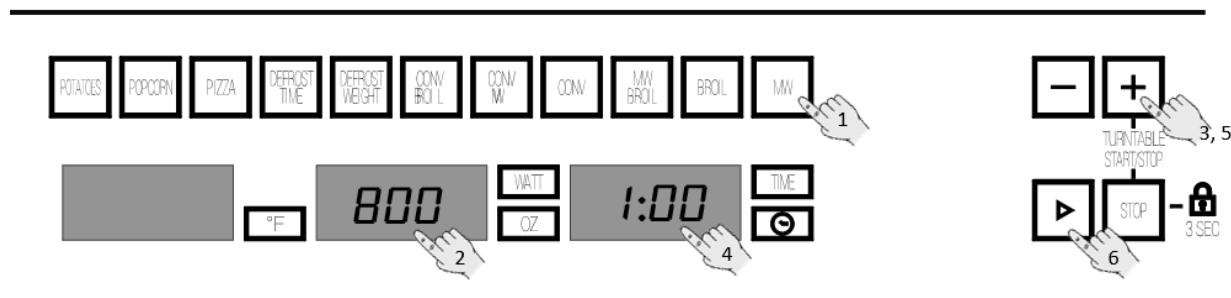
Réglages de base

Arrêter le plateau tournant



1. Pour arrêter le plateau tournant, appuyez en même temps sur les touches «+» et «**Stop**».
2. Pour remettre en marche le plateau, appuyez à nouveau en même temps sur les touches «+» et «**Stop**».

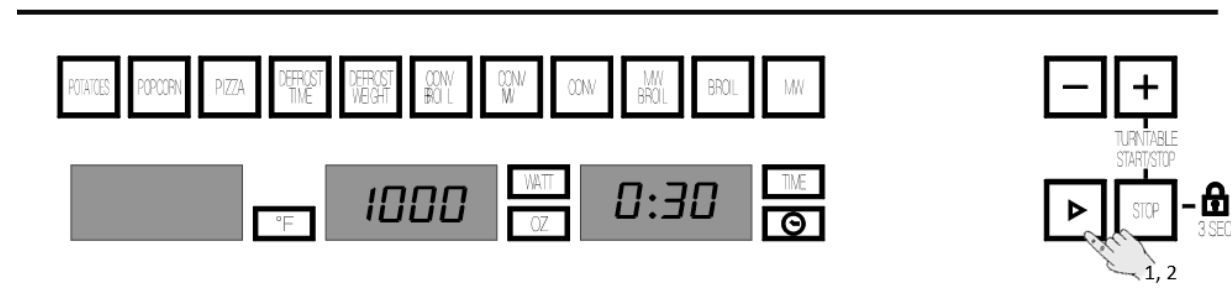
Micro-ondes



1. Appuyez sur la touche de fonction **Micro-ondes**. La touche de fonction s'allume.
2. Appuyez sur la touche **Sélection de puissance**. Le témoin correspondant se met à clignoter. En l'absence de sélection, le four fonctionne à la puissance 800 Watts.
3. Appuyez sur les touches « - » et « + » pour modifier la puissance des micro-ondes.
4. Appuyez sur la touche **Sélection du temps** pour modifier le temps de fonctionnement. Le témoin respectif se met à clignoter.
5. Définissez le temps de fonctionnement désiré avec les touches « - » et « + » (par exemple 1 minute).
6. Appuyez sur la touche **Start**. Le four commence à fonctionner.

OBSERVATION: si vous sélectionnez la puissance de 1000 W, le temps de fonctionnement est limité à un maximum de 15 minutes.

Micro-ondes – Lancement rapide



1. Appuyez sur la touche **Start**. Le four se met en marche en fonction Micro-ondes, à la puissance maximum, pendant 30 secondes.
2. Si vous souhaitez prolonger le fonctionnement du four, appuyez de nouveau sur la touche **Start**, ce qui a pour effet d'augmenter le temps de fonctionnement de 30 secondes.

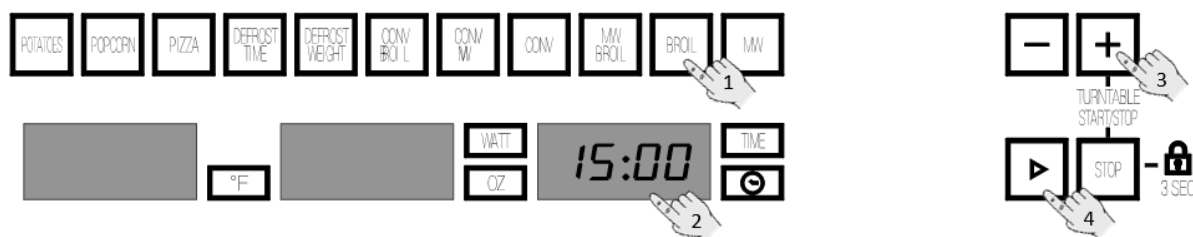
OBSERVATION: quand vous sélectionnez la puissance maximum de 1000 W, le temps de fonctionnement est limité à un maximum de 15 minutes.

ATTENTION! Ne mettez pas votre four en marche à vide. Sans rien à chauffer, il peut en effet se trouver en surcharge et être endommagé. RISQUE DE DÉTÉRIORATION !

ATTENTION! Lorsque vous utilisez de petites charges, comme des sacs de popcorn, placez un verre d'eau sur l'un des coins de la cavité pour éviter les dommages.

Fonctions de base

Gril



1. Appuyez sur la touche de fonction **Gril**. Le témoin s'allume.
2. Appuyez sur la touche **Sélection du temps** pour modifier le temps de fonctionnement. Le témoin respectif clignote.
3. Appuyez sur « - » et « + » pour sélectionner le temps voulu (par exemple 15 minutes).
4. Appuyez sur la touche **Start**. Le four commence à fonctionner.

Micro-ondes + Gril



1. Appuyez sur la touche de fonction **Micro-ondes + Gril**. La touche de fonction s'allume.
2. Appuyez sur la touche **Sélection de puissance** pour modifier la puissance des micro-ondes. Le témoin respectif se met à clignoter. Si vous ignorez cette touche, le four fonctionne à la puissance de 600 W.
3. Appuyez sur « - » et « + » pour sélectionner la puissance souhaitée.
4. Appuyez sur la touche **Sélection du temps** pour modifier le temps de fonctionnement. Le témoin respectif se met à clignoter.
5. Sélectionnez le temps de fonctionnement voulu en appuyant sur les touches « - » et « + » (par exemple 10 minutes).
6. Appuyez sur **Start**. Le four commence à fonctionner.
7. En fonction combinée, la puissance des micro-ondes est limitée à 600 W.

ATTENTION! Ne mettez pas votre four en marche à vide. Sans rien à chauffer, il peut en effet se trouver en surcharge et être endommagé. RISQUE DE DÉTÉRIORATION !

Air chaud



1. Appuyez sur la touche de fonction **Air chaud**. Le voyant de la touche s'allume.
2. Appuyez sur **Sélection de température**, pour modifier la puissance des micro-ondes. Le témoin respectif clignote. En l'absence de sélection, le four fonctionne à la puissance de 160°C.
3. Appuyez sur « - » et « + » pour sélectionner la température désirée.
4. Appuyez sur **Sélection de Temps**, pour modifier le temps de fonctionnement souhaité. Le témoin respectif clignote.
5. Appuyez sur les touches « - » et « + » pour sélectionner le temps de fonctionnement voulu (par exemple 20 minutes).
6. Appuyez sur **Start**. Le four commence à fonctionner.

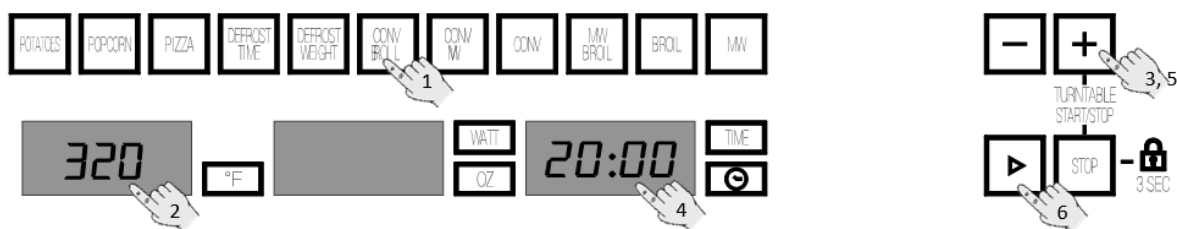
Micro-ondes + Air chaud



1. Appuyez sur la touche de fonction **Micro-ondes + Air chaud**. Le voyant de la touche s'allume.
 2. Appuyez sur la touche **Sélection de Température** pour modifier la puissance des micro-ondes. Le témoin clignote. À défaut, le four fonctionnera à une température de 320°F.
 3. Appuyez sur « - » et « + » pour sélectionner la température.
 4. Appuyez sur la touche **Sélection de puissance** pour modifier la puissance des micro-ondes. Le témoin respectif clignote. Si vous ignorez cette touche, le four fonctionnera à la puissance de 400 W.
 5. Appuyez sur « - » et « + » pour sélectionner la puissance désirée.
 6. Appuyez sur **Sélection de Temps**, pour modifier le temps de fonctionnement souhaité. Le témoin respectif clignote.
 7. Appuyez sur les touches « - » et « + » pour sélectionner le temps de fonctionnement voulu (par exemple 20 minutes).
 8. Appuyez sur **Start**. Le four commence à fonctionner.
 9. Pendant le fonctionnement en mode combiné, la puissance des micro-ondes est limitée à 600 W.
- ATTENTION! Ne mettez pas votre four en marche à vide. Sans rien à chauffer, il peut en effet se trouver en surcharge et être endommagé. RISQUE DE DÉTÉRIORATION !**
- ATTENTION! Pour préchauffer la cavité, veuillez sélectionner la fonction de convection avec la température désirée, puis passer à la Micro-onde + Convection après avoir placé les aliments dans la cavité.**

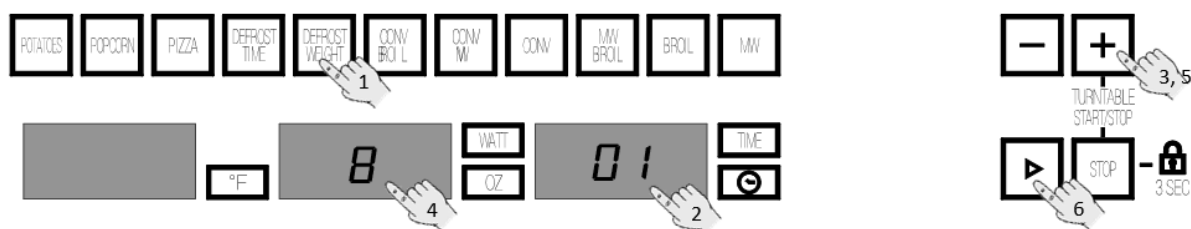
Fonctions de base

Gril avec Ventilateur



1. Appuyez sur la touche de fonction **Gril + Ventilateur**. Le voyant de la touche s'allume.
2. Appuyez sur la touche **Sélection de Température** pour modifier la puissance des micro-ondes. Le témoin clignote. À défaut, le four fonctionnera à la température de 160°C.
3. Appuyez sur les touches « - » et « + » pour sélectionner la température souhaitée.
4. Appuyez sur la touche **Sélection de temps** pour modifier le temps de fonctionnement désiré. Le témoin clignote.
5. Appuyez sur les touches « - » et « + » pour sélectionner le temps de fonctionnement désiré (par exemple 20 minutes).
6. Appuyez sur **Start**. Le four commence à fonctionner.

Décongélation en fonction du poids (automatique)



1. Appuyez sur la touche de fonction **Décongélation en fonction du poids**. La touche s'allume.
2. Appuyez sur la touche **Sélection du type d'aliment** pour modifier l'aliment sélectionné. Les témoins respectifs clignotent.
3. Appuyez sur les touches « - » et « + » pour sélectionner le temps voulu, par exemple 'Pr 01' (voir tableau ci-après).
4. Appuyez sur **Sélection de poids** pour modifier le poids sélectionné. Le témoin clignote.
5. Appuyez sur « - » et « + » pour sélectionner le poids correspondant à l'aliment.
6. Appuyez sur **Start**. Le four commence à fonctionner.

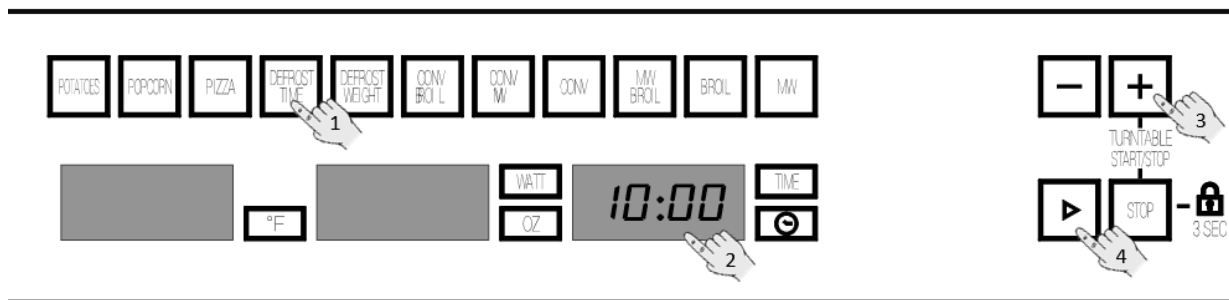
Le tableau suivant vous présente les programmes de la fonction Décongélation en fonction du poids, en indiquant les temps de décongélation et de repos (afin que l'aliment soit uniformément chauffé) en fonction du poids de l'aliment.

Programme	Aliment	Poids (OZ)	Temps (minutes)	Temps de repos (minutes)
01	Viande	4 – 80	2,30 – 50	20 – 30
02	Volailles	4 – 100	2,40 – 67	20 – 30
03	Poisson	4 – 80	2 – 45,30	20 – 30
04	Fruit	4 – 40	3 – 30	10 – 20
05	Pain	4 – 60	3 – 42	10 – 20

Observation importante: voir «Indications générales pour la décongélation».

Décongélation en fonction du temps (manuel)

Utilisez cette fonction pour décongeler rapidement tout type d'aliment.



1. Appuyez sur **Décongélation en fonction du temps**. La touche s'allume.
2. Appuyez sur la touche **Sélection de Temps** pour modifier le temps de fonctionnement. Le témoin respectif s'allume.
3. Appuyez sur « - » et « + » pour sélectionner le temps de fonctionnement désiré, (par exemple 10 minutes).

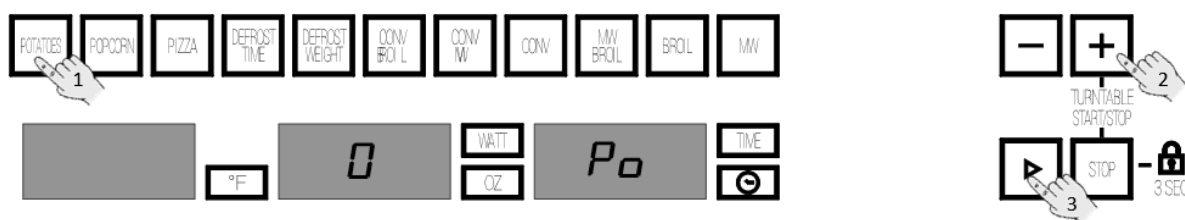
4. Appuyez sur la touche **Start**. Le four commence à fonctionner.

Observations : Remuez ou retournez les aliments plusieurs fois pendant qu'ils chauffent, en particulier quand le four émet un signal sonore et que l'écran affiche l'indication clignotante suivante : **turn**.

Fonctions spéciales

Fonction Spéciale : Pommes de terre

Utilisez cette fonction pour chauffer des différents types d'aliments.



1. Appuyez sur la touche de fonction **Pommes de terre**. La touche de fonction s'allume.

2. Appuyez sur « - » et « + » pour sélectionner le poids désiré.

3. Appuyez sur **Start**. Le four commence à fonctionner.

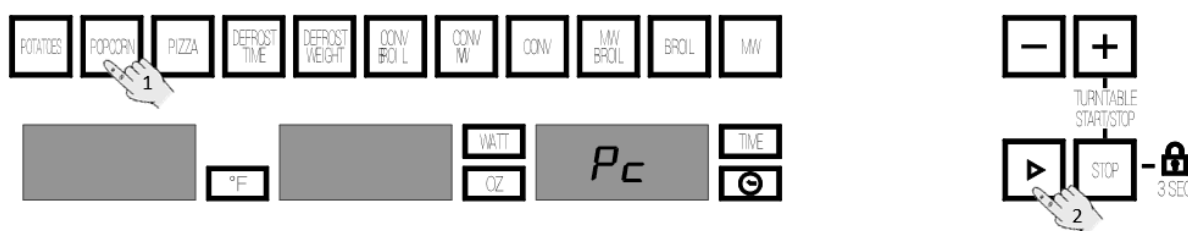
Observations importantes:

- Vous devez toujours utiliser des récipients adaptés au micro-ondes et un couvercle pour éviter la perte des liquides.
- Le temps nécessaire pour chauffer les aliments dépend de leur température initiale. Les aliments retirés directement du réfrigérateur mettent plus de temps à chauffer que ceux à température ambiante. Si la

température de l'aliment ne vous donne pas satisfaction, sélectionnez un poids moindre ou plus important la prochaine fois que vous réchauffez l'aliment. Après avoir réchauffé les aliments, mélangez-les, puis laissez-les reposer un peu afin d'uniformiser leur température.

Attention! Le récipient peut être très chaud à la fin du fonctionnement. La plupart des récipients ne sont pas chauffés par les micro-ondes, mais ils peuvent l'être par transmission de la chaleur des aliments.

Fonction Spéciale: Pop-corn



1. Appuyez sur la touche de fonction **Popcorn**. La touche de fonction s'allume.

2. Appuyez sur **Start**. Le four commence à fonctionner.

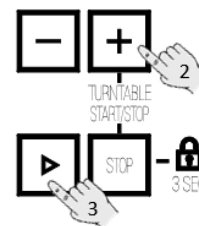
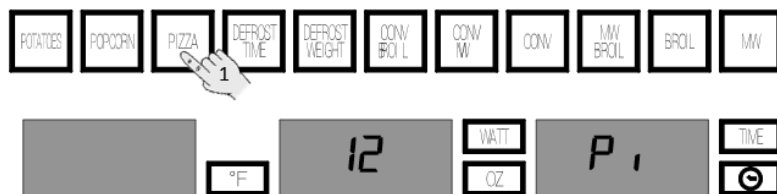
Observations importantes :

- Vous devez toujours utiliser des récipients adaptés au micro-ondes et un couvercle pour éviter la perte des liquides.

ne sont pas chauffés par les micro-ondes, mais ils peuvent l'être par transmission de la chaleur des aliments.

Attention ! Le récipient peut être très chaud à la fin du fonctionnement. La plupart des récipients

Fonction Spéciale : Pizza



1. Appuyez sur la touche de fonction **Pizza**. La touche de fonction s'allume.

2. Appuyez sur les touches « - » et « + » pour sélectionner le poids correspondant.

3. Appuyez sur **Start**. Le four commence à fonctionner.

Observations importantes:

- Utiliser uniquement de la vaisselle adaptée au micro-ondes et résistante à la chaleur (p. ex. plats à gratins). Le grill produit des températures très élevées. Toujours couvrir le plat d'un couvercle

pour le programme C 02 afin d'éviter les pertes de liquide.

Attention! Le récipient peut être très chaud à la fin du fonctionnement. Les fours à micro-ondes ne chauffent pas la plupart des récipients, mais le transfert de chaleur de l'élément chauffant du grill peut néanmoins rendre ces derniers très chauds.

Pendant le fonctionnement...

Interruption d'une cuisson

Vous pouvez interrompre le fonctionnement du four à tout instant en appuyant une fois sur la touche **Start/Stop** ou en ouvrant la porte du four.

Dans ces deux cas :

- L'émission de micro-ondes cesse immédiatement.
- Le gril est désactivé mais garde une température très élevée. Danger de brûlure !
- Le temporisateur s'arrête et l'**écran** affiche le temps de fonctionnement restant.

Vous pouvez alors :

1. remuer ou retourner les aliments, pour obtenir une cuisson uniforme ;
2. modifier les paramètres de la cuisson ;
3. annuler la cuisson, en appuyant sur la touche **Start/Stop**.

Pour reprendre la cuisson, fermez la porte et appuyez sur la touche **Start/Stop**.

Modification des paramètres

Il est possible de changer les paramètres de fonctionnement (temps et température) seulement quand la cuisson a été interrompue, en procédant comme suit:

1. Pour modifier le temps de fonctionnement, tournez le **bouton rotatif** dans l'un ou l'autre sens. Le nouveau temps défini est immédiatement pris en compte.
2. Pour modifier la puissance, appuyez sur la touche **Sélection de poids/puissance**. Le témoin respectif clignote. Modifiez le paramètre en tournant le **bouton rotatif** et validez en appuyant de nouveau sur **Sélection de poids/puissance**.

Annuler une cuisson

Si vous souhaitez annuler le processus de cuisson, appuyez sur **Start/Stop** pendant 3 secondes.

Un signal sonore est alors émis et l'**écran** affiche l'heure.

Fin d'une cuisson

À la fin du processus de cuisson, 3 signaux sonores sont émis et l'écran affiche « **End** ».

Les signaux sonores sont répétés toutes les 30 secondes jusqu'à ce que la porte soit ouverte ou que vous appuyez sur la touche **Start/Stop**.

Décongélation

Le tableau ci-dessous présente, d'une manière générale, les différents temps pour la décongélation et pour le repos (de façon à ce que l'aliment soit uniformément réchauffé) en fonction

du type et du poids des aliments, et aussi les respectives recommandations

Aliment	Poids (OZ)	Temps de décongélation (min)	Temps de repos (m)	Observation
Morceaux de viande, porc, veau, bœuf	4	2-3	5-10	Retournez 1 fois
	7	4-5	5-10	Retournez 1 fois
	17-18	10-12	10-15	Retournez 2 fois
	35-36	21-23	20-30	Retournez 2 fois
	51-53	32-34	20-30	Retournez 2 fois
	70-71	43-45	25-35	Retournez 2 fois
Viande à l'étouffée	17-18	8-10	10-15	Retournez 2 fois
	35-36	17-19	20-30	Retournez 2 fois
Viande hachée	4	2-4	10-15	Retournez 1 fois
	17-18	10-14	20-30	Retournez 2 fois
Saucisse	7	4-6	10-15	Retournez 1 fois
	17-18	9-12	15-20	Retournez 2 fois
Volailles, morceaux	8-9	5-6	5-10	Retournez 1 fois
Poulet	35-36	20-24	20-30	Retournez 2 fois
Poularde	90	38-42	25-35	Retournez 2 fois
Filets de poisson	7	4-5	5-10	Retournez 1 fois
Truite	8-9	5-6	5-10	Retournez 1 fois
Crevettes	4	2-3	5-10	Retournez 1 fois
	17-18	8-11	15-20	Retournez 2 fois
Fruit	7	4-5	5-10	Retournez 1 fois
	10-11	8-9	5-10	Retournez 1 fois
	17-18	11-14	10-20	Retournez 2 fois
Pain	17-18	4-5	5-10	Retournez 1 fois
	17-18	10-12	10-15	Retournez 1 fois
	28-29	15-17	10-20	Retournez 2 fois
Beurre	8-9	8-10	10-15	
Tomme	8-9	6-8	10-15	
Crème fraîche	8-9	7-8	10-15	

Décongélation

Indications générales pour la décongélation

1. Pour décongeler, utilisez uniquement de la vaisselle adaptée au micro-ondes (porcelaine, verre, plastique approprié).
2. La fonction Décongélation en fonction du poids et les tableaux correspondants concernent les aliments crus.
3. Le temps de décongélation dépend de la quantité et de la hauteur de l'aliment. Quand vous congelez des aliments, pensez déjà à leur décongélation. Distribuez l'aliment en morceaux de hauteur égale à celle du récipient.
4. Distribuez le mieux possible l'aliment à l'intérieur du four. Les parties les plus grosses du poisson ou des cuisses de poulet doivent être tournées vers l'extérieur. Vous pouvez protéger les parties les plus délicates avec une feuille d'aluminium. **Important** : la feuille d'aluminium ne doit pas entrer en contact avec les parois de la cavité, car elle peut provoquer un arc électrique.
5. Les morceaux les plus denses doivent être retournés plusieurs fois.
6. Distribuez l'aliment congelé de la façon la plus uniforme possible, les parties les plus étroites et fines décongelant plus rapidement que les parties grosses et hautes.
7. Les aliments riches en graisse comme le beurre et la crème fraîche ne doivent pas être complètement décongelés. S'ils sont à température ambiante, ils seront prêts à être servis en peu de temps. La crème congelée doit être remuée avant son utilisation.
8. Mettez les volailles dans un plat creux pour que le jus de la viande s'écoule plus facilement.
9. Le pain doit être enveloppé dans une serviette de table pour ne pas trop sécher.
10. Tournez la nourriture à intervalles réguliers.
11. Retirez l'emballage de l'aliment congelé sans oublier d'enlever les agrafes, le cas échéant. Pour les récipients destinés à conserver les aliments dans le congélateur et que vous pouvez également utiliser dans le four, retirez seulement le couvercle. Dans les autres cas, mettez les aliments dans des récipients adaptés au micro-ondes.
12. Vous devez enlever et jeter le liquide résultant de la décongélation, principalement des volailles. Il ne doit en aucun cas entrer en contact avec les autres aliments.
13. Remarquez bien qu'un temps de repos est nécessaire, dans la fonction Décongélation, jusqu'à ce que l'aliment soit complètement décongelé.

Cuisiner aux micro-ondes

Attention ! Lisez attentivement le chapitre « Indications de sécurité » avant de cuisiner avec votre micro-ondes.

Quand vous cuisinez avec le micro-ondes, suivez les recommandations suivantes :

- Avant de chauffer ou de cuisiner des aliments ayant une **peau** ou une enveloppe (saucisses, pommes de terre, tomates, pommes), **percez-les** avec une fourchette pour qu'ils n'éclatent pas à la cuisson. Coupez l'aliment avant de le préparer.
- Vérifiez que votre récipient est adapté aux micro-ondes avant de l'utiliser (voir chapitre : « Quel type de vaisselle utiliser ? »).
- Certains aliments contiennent peu d'eau et son évaporation rapide dans le four peut faire que ce dernier travaille à vide. L'aliment peut alors carboniser (par exemple en **décongelant du pain** ou en faisant des **pop-corns**). Le four et la vaisselle peuvent être endommagés. Le mieux est de surveiller la cuisson et d'éviter tout dépassement du temps nécessaire.
- Il n'est pas possible de chauffer une grande quantité d'huile (**frire**) dans le micro-ondes.
- Retirez les emballages des **plats préconfectionnés** car ils ne sont pas toujours résistants à la chaleur. Suivez les instructions données par le fabricant
- **Si vous mettez des récipients différents**, par exemple des tasses, disposez-les uniformément sur le plateau rotatif.
- Ne fermez pas les sacs plastique avec des pinces en métal. Choisissez-les en plastique. Percez le sac en plusieurs endroits pour que la vapeur puisse s'échapper.
- Assurez-vous que les aliments que vous chauffez ou que vous cuisinez atteignent une **température de 70°C**.
- Pendant la cuisson, il est possible que de la **vapeur d'eau** se condense sur la vitre de la porte et que des gouttes s'écoulent. C'est une

situation normale, surtout quand la température ambiante est basse. La sécurité du four n'est pas en cause. Après l'utilisation, essuyez l'eau de condensation.

- Pour chauffer des liquides, utilisez des **récipients avec une grande ouverture**, pour mieux évacuer la vapeur.

Préparez les aliments en suivant les indications et restez vigilant avec les temps de cuisson et les niveaux de puissance qui sont indiqués dans les tableaux.

Les chiffres sont donnés à titre d'indication. Ils peuvent changer en fonction de l'état initial, de la température, de l'humidité et du type d'aliment. Nous vous conseillons d'ajuster les temps et les niveaux de puissance à chaque situation. Selon l'aliment, il faudra allonger ou raccourcir le temps de cuisson, ou bien monter ou baisser le niveau de puissance.

Cuisiner avec micro-ondes...

1. Plus grande est la quantité des aliments, plus longue est la durée de la cuisson. Remarquez bien :
 - Double quantité ⇒ double du temps
 - Moitié de la quantité ⇒ moitié du temps
2. Plus basse est la température, plus long est le temps de cuisson.
3. Les aliments liquides se réchauffent plus rapidement.
4. Une bonne distribution des aliments sur le plateau rotatif facilite une cuisson uniforme. Si vous chauffez en même temps des aliments différents, placez ceux qui sont moins denses au centre du plateau et les plus denses vers l'extérieur du plateau.
5. La porte du four peut être ouverte à tout moment. Le four s'éteint alors automatiquement. Pour le remettre en fonctionnement, fermez la porte et appuyez sur la touche **START**.
6. Quand ils sont couverts, les aliments cuisent plus rapidement et leurs qualités sont mieux préservées. Les micro-ondes doivent pouvoir traverser le couvercle qui doit avoir de petits orifices pour laisser passer la vapeur d'eau.

Cuisiner aux micro-ondes

Tableaux et suggestions – Cuisiner les légumes

Aliment	Quantité (OZ)	Addition de liquides (fl oz)	Puissance (Watt)	Temps (min.)	Temps de repos (min.)	Indications
Choux-fleur	17-18	3,5	800	9-11	2-3	Couper en rondelles. Couvrir
Brocolis		2	800	6-8	2-3	
Champignons		1	800	6-8	2-3	
Petits pois et carottes,	10-11	3,5	800	7-9	2-3	Couper en morceaux ou en rondelles. Couvrir
Carottes congelées		1	800	8-10	2-3	
Pommes de terre	8-9	1	800	5-7	2-3	Peler, couper en morceau égaux. Couvrir
Piment	10-11	1	800	5-7	2-3	Couper en morceaux ou en rondelles. Couvrir
Poireau		2	800	5-7	2-3	
Choux de Bruxelles congelés		2	800	6-8	2-3	Couvrir
Chou	8-9	1	800	8-10	2-3	Couvrir

Tableaux et suggestions – Cuisiner le poisson

Aliment	Quantité (OZ)	Puissance (Watt)	Temps (m)	Temps de repos (m)	Indications
Filets de poisson	17-18	600	10-12	3	Couvrir. Retourner quand la moitié du temps est écoulée.
Poisson entier	28-29	800	2-3	2-3	Couvrir. Retourner quand la moitié du temps est écoulée. Éventuellement, couvrir les extrémités fines du poisson.
		400	7-9		

Pour obtenir de bons résultats avec le grill, utilisez la grille fournie avec le four.

Positionnez la grille de façon à ce qu'elle n'entre pas en contact avec les surfaces métalliques de la cavité, ce qui provoquerait un arc électrique et pourrait détériorer le four.

INDICATIONS IMPORTANTES :

1. Lors de la première utilisation du grill, un peu de fumée odorante peut se dégager. Elle résulte de l'emploi d'huiles pendant le processus de fabrication.
2. La vitre de la porte atteint des températures très élevées quand le grill est utilisé. **Ne laissez pas les enfants s'approcher.**
3. Nous vous conseillons de porter des gants de cuisine car la grille et les parois de la cavité atteignent des températures très élevées.

4. Le thermostat de sécurité fait que les résistances s'éteignent temporairement lors d'une utilisation prolongée du grill.

5. Important ! Vous devez vérifier que les récipients que vous utilisez quand vous cuisinez ou faites griller des aliments sont bien adaptés au micro-ondes. Voir le chapitre sur le type de vaisselle !

6. Quand vous utilisez le grill, des éclaboussures de graisse peuvent atteindre la résistance et être brûlées. C'est une situation normale qui ne représente aucun problème de fonctionnement.

7. Nettoyez l'intérieur et les accessoires après chaque cuisson, pour que les saletés ne s'incrustent pas.

Tableaux et suggestions – Gril sans micro-ondes

Aliment	Quantité (OZ)	Temps (m)	Indications
Poisson			
Dorade	28-29	18-24	Beurrez légèrement. Quand la moitié du temps est écoulée, retournez et ajoutez les condiments.
Sardine/ rascasse rouge	6-8 unités	15-20	
Viande			
Saucisse	6-8 unités	22-26	Percez et retournez quand la moitié du temps est écoulée.
Hamburger congelé	3 unités	18-20	Retourner 2 ou 3 fois.
Entrecôte (environ 3 cm d'épaisseur)	14-15	25-30	Saucez et retournez quand la moitié du temps est écoulée.
Autres			
Toasts	4 unités	1½-3	Surveillez les toasts.
Gratiner des sandwichs	2 unités	5-10	Surveillez le gratin

Préchauffez le grill pendant 2 minutes. Sauf indication contraire, utilisez la grille. Placez la grille sur un récipient dans lequel l'eau et la graisse puissent couler.

Les temps sont mentionnés à titre d'indication car ils peuvent varier en fonction de la composition des aliments, de leur quantité et de la cuisson demandée. Le poisson et la viande gagnent un goût délicieux si, avant de les griller, vous les badigeonnez d'huile végétale, épices et herbes

aromatiques, et si vous les laissez mariner quelques heures. Ne salez qu'après la grillade.

Les saucisses n'éclatent pas si vous les percez préalablement avec une fourchette.

Au milieu du temps de fonctionnement, contrôlez la cuisson, remuez ou retournez si nécessaire.

Le grill est spécialement adapté pour la cuisson de la viande en morceaux et du poisson en filets. Les morceaux fins de viande peuvent être retournés une seule fois, les plus gros plusieurs fois.

Cuisiner au grill

Tableaux et suggestions – Micro-ondes + Gril

La fonction Micro-ondes avec Gril est idéale pour cuisiner rapidement et dorer en même temps les aliments. Vous pouvez également les gratiner.

Les micro-ondes et le gril fonctionnent simultanément. Les micro-ondes cuisent et le gril gratine.

Plat	Quantité (OZ)	Vaisselle	Puissance (Watt)	Temps (m)	Temps de repos (m)
Pâtes gratinées	17	Récipient bas	400	12-17	3-5
Pommes de terres gratinées	28	Récipient bas	600	20-22	3-5
Lasagne	environ 28	Récipient bas	600	15-20	3-5
Gratin de tomme	environ 17	Récipient bas	400	18-20	3-5
2 cuisses de poulet, frais (sur la grille)	7 chaque	Récipient bas	400	10-15	3-5
Poulet	environ 35	Récipient bas et large	400	35-40	3-5
Soupe à l'oignon gratinée	2 tasses de 7 oz.	Bol de soupe	400	2-4	3-5

Avant d'utiliser de la vaisselle et des récipients dans le micro-ondes, vérifiez qu'ils y sont bien adaptés. Utilisez seulement de la vaisselle adaptée aux micro-ondes.

La vaisselle utilisée pour la fonction combinée doit être adaptée aux micro-ondes et au gril. Voir le chapitre sur le type de vaisselle !

Remarquez que les valeurs sont mentionnées à titre indicatif et qu'elles peuvent varier en fonction du temps initial, de la température, de l'humidité et du type d'aliment.

Si l'aliment n'est pas assez doré, mettez-le 5 ou 10 minutes de plus en fonction Gril.

Faites attention aux temps de repos et retournez les morceaux de volaille.

Sauf indications contraires, utilisez le plateau rotatif pour cuisiner.

Les valeurs indiquées dans les tableaux sont valables pour une cavité du four à froid (il n'est nécessaire de préchauffer).

ATTENTION! Ne mettez pas votre four en marche à vide. Sans rien à chauffer, il peut en effet se trouver en surcharge et être endommagé. RISQUE DE DÉTÉRIORATION !

FR

Rôtir et cuire

Tableaux et suggestions – Préparation de viande et gâteaux

Micro-ondes / Air chaud

Aliment	Quantité (oz)	Puissance (Watt)	Température (°F)	Temps (mn)	Temps de repos (mn)	Indications
Rôti	35-53	400	390	30-40	20	Récipient sans couvercle, tourner 1x
Filet de porc Côtelette ou os Rôti de porc	28-36	200	350-370	50-60	20	Récipient sans couvercle, tourner 1x
Poulet entier	35-43	400	390	30-40	10	Récipient sans couvercle, bréchet vers le bas, tourner 1x
Poulet en morceaux	17-35	400	390	25-35	10	Récipient sans couvercle, Placer les morceaux la peau en bas. Tourner 1x.
Rôti de veau	53-71	200	350	60-65	20	Récipient avec couvercle, tourner 1-2x, puis continuez la cuisson sans couvercle
Rôti de bœuf	53-64	200	390	80-90	20	Récipient avec couvercle, tourner 1-2x

Micro-ondes / Cuire

Aliment	Puissance (Watt)	Température (°F)	Temps (mn)	Temps de repos (mn)	Indications
Gâteau au chocolat/cerise	200	390	30	5-10	Plateau rotatif, moule de Ø 28 cm
Cheesecake aux fruits	400	350	40-45	5-10	Plateau rotatif, moule de Ø 28 cm
Tarte aux pommes	200	360	40-45	5-10	Plateau rotatif, moule de Ø 28 cm
Cheesecake su streusel	400	350	40-50	5-10	Plateau rotatif, moule de Ø 28 cm
Gâteau aux noix	200	340	30-35	5-10	Plateau rotatif, Moule creux

Rôtir et cuire

Conseils pour la cuisson

Retournez les pièces de viande à la moitié du temps de cuisson. Quand le rôti est cuit, laissez-le reposer 20 minutes dans le four éteint et fermé. Le jus de la viande sera ainsi mieux réparti.

La température et le temps de cuisson dépendent du type et de la quantité d'aliment.

S'il n'y a pas d'indication du poids exact du rôti dans le tableau, choisissez le poids immédiatement inférieur et prolongez le temps.

Conseils pour la vaisselle

Vérifiez que la vaisselle entre bien à l'intérieur du four.

Les récipients en verre, quand ils sont chauds, doivent être posés sur un chiffon de cuisine sec. Au contact d'une surface froide ou mouillée, le verre pourrait se fendiller et éclater. Utilisez un gant de cuisine pour retirer les plats du four.

Important

En mode de fonctionnement Air chaud/Micro-ondes, utilisez toujours le petit trépied placé sur le plateau rotatif. Les moules, plats bas et récipients doivent toujours être placés sur le trépied.

Exception : placez le moule creux directement sur le plateau rotatif.

ATTENTION! Ne mettez pas votre four en marche à vide. Sans rien à chauffer, il peut en effet se trouver en surcharge et être endommagé. RISQUE DE DÉTÉRIORATION !

Tableaux et suggestions – Cuire / Air chaud

Aliment	Récipient	Niveau	Température (°F)	Temp (min)
Gâteau aux noix	Moule creux	Plateau rotatif	320	50-60
Tarte aux fruits	Moule de Ø 28 cm	Plateau rotatif	320	55-60
Gâteau anglais	Moule creux	Plateau rotatif	320	55-65
Tarte salée	Moule rond en verre	Plateau rotatif	370–390	40-60
Gâteau simple	Moule de Ø 26 cm	Plateau rotatif	320	30-40
Bûche	Moule à gâteau en verre	1	390	12-15
Gâteau aux cerises	Moule à gâteau en verre	1	350-370	40-50

Conseils pour les moules à gâteaux

Les moules les plus fréquents sont les moules noirs en métal. Si vous utilisez les micro-ondes, servez-vous de moules à gâteau en verre, en céramique ou en plastique, résistant à des températures de 250°C. Avec ce type de moules, les gâteaux sont moins dorés.

Conseils pour cuisiner les gâteaux

La température de cuisson des gâteaux dépend de la qualité et de la quantité de pâte. Essayez une première fois avec une température plutôt en dessous, ce qui permet d'obtenir un doré plus uniforme. La fois suivante, si nécessaire, choisissez une température plus forte. Placez toujours le moule au centre du plateau ou sur le plateau rotatif.

Suggestions pour une bonne cuisson

Comment vérifier que le gâteau est cuit :

Enfoncez un couteau fin sur le dessus du gâteau. Si la pâte ne colle pas au couteau, le gâteau est cuit.

Le gâteau est très foncé :

La prochaine fois, sélectionnez une température plus basse et laissez cuire le gâteau plus longtemps.

Le gâteau est très sec :

Faites de petits orifices, avec une petite fourchette, dans le gâteau déjà cuit, puis arrosez avec du jus de fruit ou une boisson alcoolique. La prochaine fois, montez la température de près de 10°C et réduisez le temps de cuisson.

Le gâteau ne veut pas sortir du moule :

Laissez refroidir le gâteau 5 à 10 minutes. Si la situation perdure, passez la lame d'un couteau tout autour du gâteau pour le dégager. La prochaine fois, beurrez mieux le moule.

Conseils pour économiser l'énergie

Quand vous faites plus de 1 gâteau, il est préférable de les mettre au four les uns après les autres. Encore chaud, le four cuira le deuxième gâteau plus rapidement. Utilisez de préférence des moules foncés, peints ou émaillés en noir, car ils absorbent mieux la chaleur.

Dans le cas de cuissons qui demandent plus de temps, vous pouvez éteindre le four 10 minutes avant la fin pour profiter de la chaleur résiduelle.

Quel type de vaisselle pouvez-vous utiliser?

Fonction Micro-ondes

Prenez garde que les micro-ondes sont réfléchies par les surfaces métalliques. Le verre, la porcelaine, la terre cuite, le plastique et le papier laissent passer les micro-ondes.

Les récipients ou la vaisselle en métal, ou ayant des parties ou des décorations métalliques, ne doivent donc pas être utilisés dans le micro-ondes. Le verre et la terre cuite avec des **décorations ou des parties métalliques** (comme le cristal de plomb) ne doivent pas être utilisés.

L'**idéal** pour cuisiner au four micro-ondes est d'utiliser le verre, la porcelaine ou la terre cuite réfractaires, et le plastique résistant à la chaleur. Le verre et la porcelaine très fins et fragiles doivent être utilisés, peu de temps, pour décongeler ou chauffer des aliments déjà confectionnés.

La vaisselle peut être très chaude car les aliments chauds lui transmettent leur chaleur. Vous devez donc toujours utiliser un **gant de cuisine !**

Testez la vaisselle

Placez la vaisselle dans le four. Si au bout de 20 secondes à la puissance maximum elle ressort froide ou tiède, alors vous pourrez l'utiliser. Elle n'est pas adaptée si elle a beaucoup chauffé ou provoqué un arc électrique.

Fonctions Gril + Air chaud

En les fonctions Fonctions Gril + Air chaud, la vaisselle doit résister à des températures de 300°C. N'utilisez pas de vaisselle en plastique.

Fonctions combinées

En les fonctions combinées, la vaisselle doit être adaptée autant aux micro-ondes qu'au gril.

Récipients et papier aluminium

Vous pouvez utiliser des récipients en aluminium ou du papier aluminium dans le four, si vous suivez les consignes suivantes:

- Suivez les recommandations du fabricant figurant sur l'emballage.

- Ces récipients en aluminium ne doivent pas avoir une hauteur supérieure à 3 cm ni entrer en contact avec les parois de la cavité (**distance minimum de 3 cm**). Le couvercle en aluminium doit être retiré.
- Mettez le récipient en aluminium directement sur le plateau rotatif. Si vous utilisez la grille, placez le récipient sur un plateau en porcelaine. Ne mettez jamais le récipient directement sur la grille !
- Le temps de cuisson est plus long car les micro-ondes entrent dans les aliments seulement par le dessus. Dans le doute, n'utilisez que de la vaisselle adaptée aux micro-ondes.
- Le papier aluminium peut être utilisé pour réfléchir les micro-ondes pendant la décongélation. Les aliments délicats, tels la volaille ou la viande hachée, peuvent être protégés d'un excès de chaleur en recouvrant les extrémités.
- **Important** : le papier aluminium ne peut entrer en contact avec les parois de la cavité, cela provoquerait un arc électrique.

Couvercles

Nous vous recommandons d'utiliser des couvercles en verre, en plastique, ou une pellicule adhérente, car ainsi :

1. Vous empêchez une évaporation excessive (principalement pour les cuissons très longues) ;
2. La cuisson est plus rapide ;
3. Les aliments cuits ne sont pas secs ;
4. Le goût est mieux préservé.

Le couvercle doit être percé d'orifices pour éviter toute formation de pression. Les sacs en plastique doivent également avoir des ouvertures. Les biberons, les petits pots pour les bébés et tous les récipients équivalents doivent être chauffés sans couvercle, sinon ils pourraient éclater.

Quel type de vaisselle pouvez-vous utiliser?

Tableau – Vaisselle

Le tableau suivant vous indique de manière générale quel type de vaisselle est adapté à chaque situation.

Mode de fonctionnement Type vaisselle	Micro-ondes		Gril + Air chaud	Fonctions combinées
	Décongeler / réchauffer	Cuisiner		
Verre et porcelaine 1) Vaisselle non résistante au feu, peut être lavée au lave-vaisselle	oui	oui	non	non
Céramique vitrée Verre et porcelaine résistant au feu	oui	oui	oui	oui
Céramique, vaisselle en grès 2) Avec ou sans verre, sans décorations métalliques	oui	oui	non	non
Vaisselle en terre cuite 2) Avec du verre Sans verre	oui non	oui non	non non	non non
Vaisselle en plastique 2) Résistant à une chaleur de 212°C Résistant à une chaleur de 482°C	oui oui	non oui	non non	non non
Films plastique 3) Film plastique pour aliments Cellophane	non oui	non oui	non non	non non
Papier, carton, parchemin 4)	oui	non	non	non
Métal Papier aluminium Emballages en aluminium 5) Accessoires	oui non oui	non oui oui	oui oui oui	non oui oui

1. Sans rebord doré ou argenté et sans cristal de plomb.
2. Suivez les indications du fabricant !
3. Ne pas utiliser des agrafes en métal pour fermer les sacs. Perforez les sacs. Utilisez les films plastique uniquement pour recouvrir.

4. N'utilisez pas des assiettes en papier ou carton.
5. Utilisez uniquement des emballages en aluminium peu profonds et sans couvercle. L'aluminium ne doit pas entrer en contact avec les parois de la cavité.

Nettoyage et entretien du four

Le nettoyage est l'unique entretien normalement nécessaire.

Attention ! Le four micro-ondes doit être nettoyé régulièrement, les éclaboussures et petites particules doivent être enlevées. Si vous ne le nettoyez pas régulièrement, la surface du four peut se détériorer, **la vie utile du four sera réduite et une situation dangereuse peut éventuellement apparaître.**

Attention ! Le nettoyage doit être effectué quand le four est débranché de l'alimentation électrique. Retirez la prise du mur ou débranchez le circuit d'alimentation du four.

N'utilisez pas de produits de nettoyage agressifs ou abrasifs, ni frottoirs qui peuvent rayer les parois, ni objets pointus.

N'utilisez pas d'appareils de nettoyage à haute pression ou qui projettent de la vapeur.

Surface avant

Un chiffon humide suffit pour nettoyer le four. S'il est très sale, ajoutez quelques gouttes de produit vaisselle dans l'eau pour humidifier le chiffon. En suivant, essuyez tout le four avec un chiffon sec.

Pour les fours dont le devant est en aluminium, utilisez un produit doux pour les vitres et un chiffon doux ne laissant pas de fibres. Nettoyez horizontalement sans exercer de pression sur la surface.

Retirez immédiatement les taches de calcaire, graisse, amidon, blanc d'œufs. Elles peuvent provoquer de la corrosion.

Évitez que de l'eau entre dans le four.

Intérieur du four

Après chaque utilisation, nettoyez les parois intérieures avec un chiffon humide. Il est ainsi plus facile d'enlever éclaboussures et particules.

Pour les saletés les plus difficiles à enlever, utilisez un produit de nettoyage non agressif. **N'utilisez pas de sprays pour four ni d'autres produits de nettoyage agressifs ou abrasifs.**

La porte et le devant du four doivent toujours être bien propres pour assurer un fonctionnement correct.

Évitez que de l'eau entre dans les orifices de ventilation du micro-ondes.

Enlevez régulièrement le plateau rotatif et son support pour nettoyer la base de la cavité, en particulier quand des liquides ont débordé.

N'allumez pas le four sans le plateau rotatif et son support.

Si la cavité du four est très sale, placez un verre d'eau sur le plateau rotatif et faites fonctionner le four micro-ondes pendant 2 ou 3 minutes à la puissance maximum. La vapeur ainsi libérée va ramollir les saletés qui seront plus faciles à nettoyer avec un chiffon doux.

Les odeurs désagréables (comme après la cuisson d'un poisson) peuvent être facilement éliminées. Ajoutez quelques gouttes de jus de citron ou de vinaigre dans une tasse d'eau. Mettez une petite cuillère dans la tasse pour éviter une ébullition après coup. Chauffez à la puissance maximum pendant 2 à 3 minutes.

Nettoyage et entretien du four

Plafond du four

Quand le plafond du four est sale, le gril peut être abaissé pour en faciliter le nettoyage.

Attendez que le gril ait refroidi avant de l'abaisser, pour éviter tout danger de brûlure.

Procédez comme suit :

1. Faites tourner le support du gril de 180° (1).
2. Abaissez doucement le gril (2). **Ne forcez pas excessivement, vous pourriez l'endommager.**
3. Quand le plafond est nettoyé, remettez le gril (2) à sa place, puis bloquez-le avec son support en le tournant de 90°.

AVIS IMPORTANT : si le support du gril (1) tombe lorsque vous le faites pivoter, remplacez-le (1) dans l'orifice du plafond et faites-le pivoter de 90° jusqu'à sa position de support du gril (2).

Le couvercle en mica (3) situé dans le plafond doit toujours être propre. Les particules d'aliments qui s'y accumulent peuvent endommager le four ou provoquer des étincelles.

N'utilisez pas de produits de nettoyage abrasifs ni d'objets pointus.

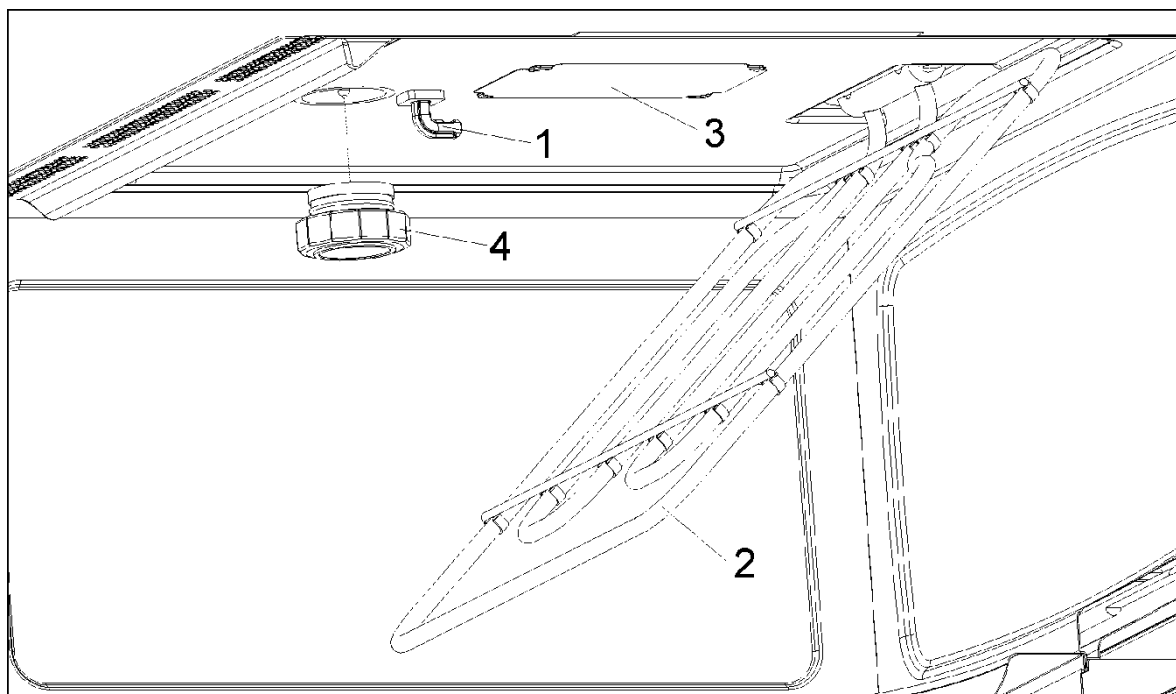
Ne retirez pas le couvercle en mica, pour éviter tout risque.

Le couvercle en verre de la lampe (4), situé dans le plafond du four, peut être facilement retiré pour être nettoyé. Dévissez-le et nettoyez-le avec de l'eau et un peu de produit vaisselle.

Accessoires

Nettoyez les accessoires après chaque utilisation. S'ils sont très sales, laissez-les d'abord tremper, puis lavez-les avec une brosse et une éponge. Les accessoires peuvent être lavés au lave-vaisselle.

Assurez-vous que le plateau rotatif et son support sont toujours propres. N'allumez pas le four sans le plateau rotatif et son support.



Que faire en cas de mauvais fonctionnement ?

ATTENTION ! Toute réparation ne peut être effectuée que par des techniciens spécialisés. Toute réparation effectuée par des personnes non certifiées par le fabricant peut se révéler dangereuse.

Les problèmes suivants peuvent être corrigés sans appeler l'assistance technique :

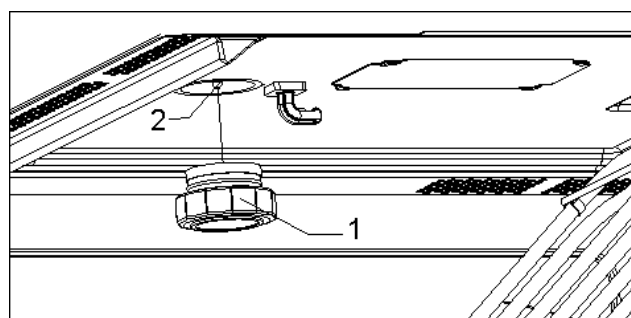
- L'écran ne s'allume pas ! Vérifiez si :
 - L'affichage de l'heure a été masquée (voir chapitre Réglages de base).
 - Rien ne se passe quand on appuie sur les touches ! Vérifiez si :
 - Le blocage de sécurité est actif (voir chapitre Réglages de base).
 - Le four ne fonctionne pas ! Vérifiez si :
 - La prise est correctement branchée au mur.
 - Le circuit d'alimentation du four est branché.
 - La porte est complètement fermée. Assurez-vous-en au son produit à la fermeture.
 - Il y a des corps étrangers entre la porte et le devant de la cavité.
 - Pendant le fonctionnement du four, des bruits bizarres se font entendre ! Vérifiez si :
 - Des objets métalliques génèrent des arcs électriques à l'intérieur du four (voir chapitre sur le type de vaisselle).
 - La vaisselle entre en contact avec les parois du four.
 - Il y a des instruments de cuisine à l'intérieur du four.
 - Les aliments ne chauffent pas ou se chauffent très lentement ! Vérifiez si :
 - Vous avez utilisé de la vaisselle en métal.
 - Vous avez sélectionné un temps de fonctionnement et une puissance appropriés.
 - Vous avez placé à l'intérieur du four une quantité d'aliments plus importante ou plus froide que d'habitude.

- **L'aliment est excessivement chaud, desséché ou brûlé !** Vérifiez que vous avez sélectionné le temps de fonctionnement et le niveau de puissance appropriés.
- **Un bruit se fait entendre à la fin d'un fonctionnement !** Ceci n'est pas un problème. Le ventilateur de réfrigération continue de fonctionner un moment. Il se débranche quand la température est suffisamment basse.
- **Le four fonctionne mais l'éclairage intérieur ne s'allume pas !** Si toutes les fonctions travaillent correctement, vous devez probable-ment changer la lampe. Vous pouvez continuer à utiliser l'appareil.

Remplacement de la lampe

Pour remplacer la lampe, procédez de la façon suivante:

- Débranchez le four de l'alimentation électrique, en retirant la prise du mur ou en coupant le circuit d'alimentation du four.
- Dévissez et enlevez le couvercle en verre de la lampe (1).
- Retirez la lampe halogène (2). **Attention ! La lampe peut être très chaude.**
- Installez une nouvelle lampe 12V / 10W. **Attention ! Ne touchez pas la surface de la lampe directement avec les doigts car cela endommage la lampe.** Suivez les instructions du fabricant de la lampe.
- Revissez le couvercle en verre de la lampe (1).
- Rebranchez le four à l'alimentation électrique.



Spécifications

- Tension AC 240V, 2ph, 60Hz
- Puissance requise..... 3850 W
- Puissance du gril..... 1500 W
- Puissance de l'air chaud 1600 W
- Puissance de sortie des micro-ondes..... 1000 W
- Fréquence des micro-ondes... 2450 MHz
- Dimensions hors-tout (Longueur×hauteur×Profondeur). 23 ½ x 17 ⅞ x 21 ½
- Dimensions de la cavité (L×h×P). 16 ½ x 8 ¼ x 15 ½
- Capacité du four..... 1.34 ft³
- Poids 78 lbs

Instructions pour l'installation

Avant l'installation

Vérifiez que la tension de l'alimentation de l'appareil, indiquée sur la plaque des caractéristiques correspond à celle de votre installation. Le plaque des caractéristiques est situé sur la partie avant de la cavité et est visible seulement après l'ouverture de la porte.

S'il y a lieu, conformément au Code national de l'électricité (ou au Code canadien de l'électricité), cet appareil doit être installé sur **un circuit de dérivation séparé**.

Installateur – Indiquer au propriétaire l'emplacement du disjoncteur ou du fusible. Identifier sa position pour pouvoir le retrouver facilement.

Avant l'installation, mettre l'appareil hors service au panneau de service. Verrouiller le panneau d'entrée d'électricité pour éviter que le courant ne soit accidentellement rétabli.

S'assurer que l'appareil est installé et mis à la terre par un technicien qualifié. L'installation, les connexions électriques et la mise à la terre doivent être conformes à tous les codes applicables.

Ouvrez la porte du four et **retirez tous les accessoires** ainsi que l'emballage.

N'enlevez pas le couvercle de mica situé au plafond de la cavité du four! Ce couvercle évite que graisses et particules d'aliments endommagent le générateur de micro-ondes.

Attention! Le devant du four peut être enveloppé d'une **pellicule de protection**. Retirez-la soigneusement, avant la première utilisation, en commençant par le bas.

Vérifiez que le four n'est pas endommagé. Assurez-vous que la porte du four ferme correctement et que le côté intérieur de la porte et le devant de la cavité ne sont pas abîmés. S'ils le sont, appelez le Service d'assistance technique.

N'UTILISEZ PAS LE FOUR si le conduit flexible est endommagé, si le four ne fonctionne pas correctement ou s'il est endommagé ou bien tombé. Appelez le Service d'assistance technique.

Installez le four sur une surface stable, le plus loin possible des radios, télévisions et de tout ce qui produit de la chaleur.

Alimentation Electrique

Avant d'installer le four avec un électricien qualifié, vérifiez que votre maison est pourvue du système électrique approprié et qu'en plus le four ne surchargera pas le circuit de branchement sur lequel il doit être installé.

Sont nécessaires un triphasé séparé, ou un four à simple phase à 4 fils, 240 Volt, 60 Hz.

Pour brancher le four, vous aurez besoin d'une boîte de raccordement approuvée qui est facilement à portée de main à travers le devant du meuble où le four sera placé. Le four a 90 cm de conduit.

Laissez 60 des 90 d'espace entre la ligne électrique pour que le four puisse être déplacé si un dépannage était nécessaire.

NE RACCOURCISSEZ PAS le conduit flexible.

Cablage Necessaire

Lorsque vous raccordez les fils, utilisez toute la longueur de conduit fourni (90 cm). Le conduit ne doit pas être coupé.

Avant de faire les raccordements, assurez-vous qu'il n'y a plus d'électricité et lisez et observez ce qui suit:

1. Sont nécessaires pour le four un circuit de raccord triphasé ou à quatre fils, simple phase, 240 Volt, 60 Hz.
2. Le four doit uniquement être raccordé avec des fils cuivre ou aluminium.
3. Aux Etats-Unis :

Les fils doivent être conformes au code électrique national, ANSI/NFPA No. 7 dernière édition. Vous pouvez obtenir une copie du code électrique national en écrivant à: National Fire Protection Association Battery March Park Quincy, MA 02269

FR

Instructions pour l'installation

Au Canada:

Les fils doivent être conformes au code électrique canadien C22.1- dernière édition. Vous pouvez obtenir une copie du code électrique canadien en écrivant à: Canadian Standards Association 178 Rexdale Boulevard Rexdale (Toronto), Ontario, Canada M9W 1R3

4. La taille des fils (CUIVRE OU ALUMINIUM) et des connexions doit être appropriée aux caractéristiques des appareils électroménagers par le code électrique national. Le câble armé flexible s'étendant du four doit être connecté directement au boîtier de raccordement.
5. Le boîtier de raccordement doit être situé pour qu'il y ait un maximum d'espace entre lui et four pour qu'il puisse être déplacé en cas de panne.
6. Un connecteur conduit U.L. listé doit être placé à chaque extrémité du câble de raccordement d'alimentation.

Connexions Electriques

Assurez-vous que votre installation est correctement installée et branchée par un technicien qualifié. Demandez à votre revendeur un technicien qualifié ou un service de réparation agréé.

Cet appareil est fabriqué avec un conducteur de terre vert connecté au châssis du four. Après vous être assuré qu'il n'y a plus de courant, branchez le conduit flexible depuis le four jusqu'au boîtier de raccordement en utilisant un connecteur de conduit U.L. listé. Les figures suivantes et les instructions fournies présentant la manière la plus commune de brancher un four. Vos codes locaux et règlements sont évidemment prioritaires sur ces instructions. Effectuez les connexions électriques conformément aux codes locaux et les règlements.

“AVERTISSEMENT” Risque d'électrocution, cadre à la masse à une position neutre d'un appareil par une liaison.

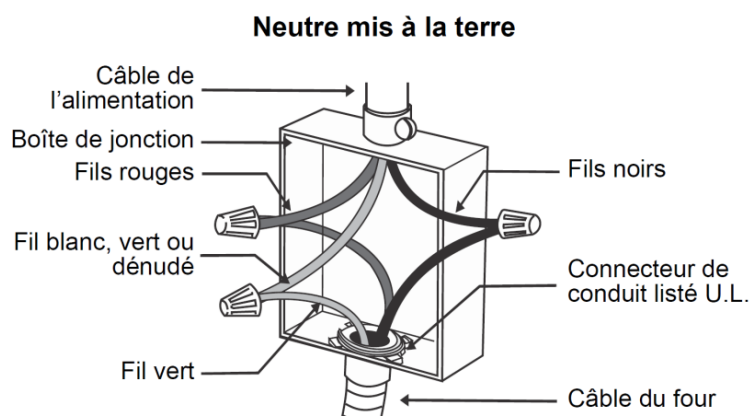
Mettre à la masse par un conducteur neutre est interdit pour les nouvelles installations de circuit électrique (1996 NEC); les mobile homes; et les véhicules de parc, ou dans les régions où les codes locaux interdisent de brancher à la masse à travers un conducteur neutre. Pour les installations où la mise à terre par un conducteur neutre est interdit:

- Déconnectez la masse du conducteur neutre aux extrémités libres du conduit ;
- Utilisez la borne de terre ou une broche de raccordement pour mettre à la terre l'unité; et
- Connectez la borne de neutre ou une broche de raccordement à un circuit de dérivation neutre de la manière habituelle.

Connexion à 3 Fils (Pour US seulement)

Selon la Figure suivant, où les codes locaux permettent la connexion du conducteur de terre du four au fil NEUTRE du circuit de branchement (fil gris ou coloré blanc):

- Si les codes locaux le permettent, connectez le conducteur de terre vert du four et le fil blanc du four au fil NEUTRE du circuit de branchement (fil gris ou coloré blanc).
- Connectez les broches de raccordement du four aux broches de raccordement correspondantes dans le boîtier de raccordement.

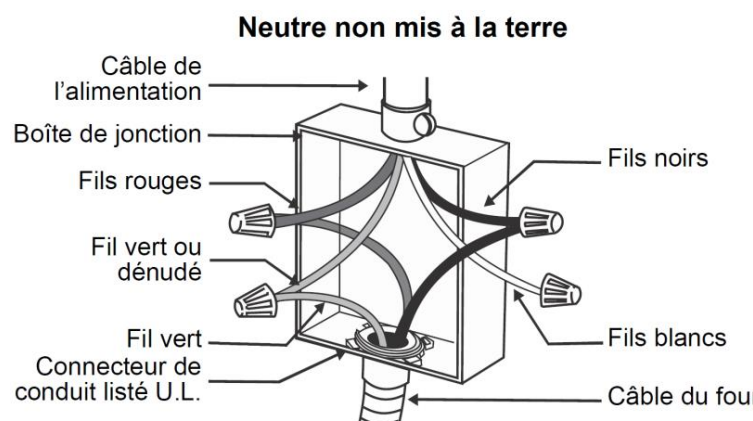


Instructions pour l'installation

Connexion à 4 Fils (Pour des US ou CANADA)

Selon la Figure suivant :

- Déconnectez la masse du point neutre aux extrémités du conduit.
- Connectez le conducteur de terre vert du four au conducteur de terre dans le boîtier de raccordement (fil nu ou coloré vert).
- Connectez les broches de raccordement rouge et noir du four aux broches de raccordement correspondantes dans le boîtier de raccordement.

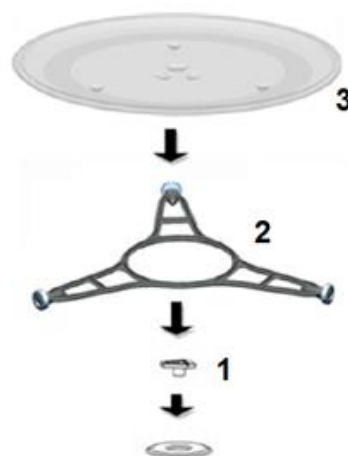


Après l'installation

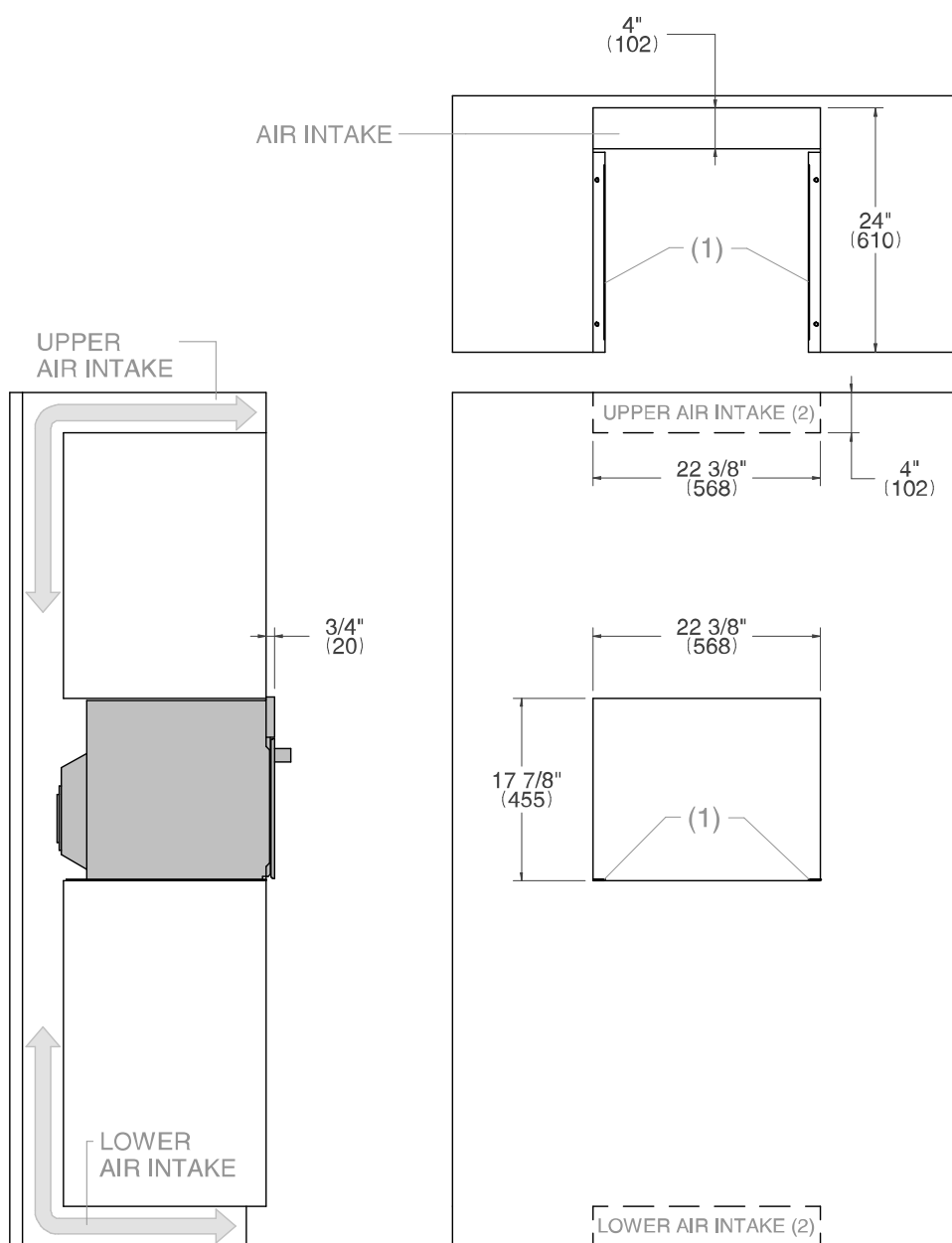
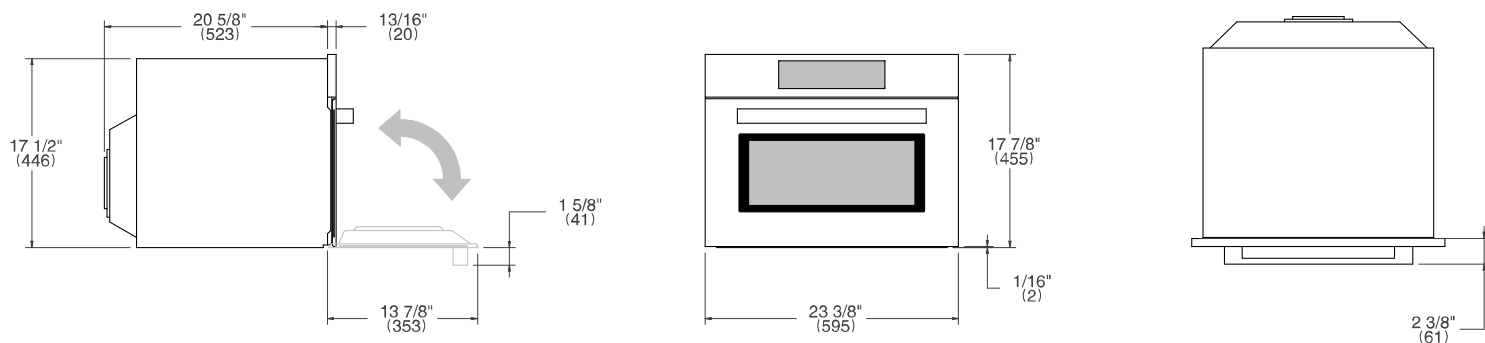
Le four ne fonctionne que si la porte est correctement fermée.

Avant la première utilisation, nettoyez l'intérieur du four ainsi que les accessoires en suivant les indications figurant au point «Nettoyage et entretien de votre four».

Emboîtez le manchon dans le centre de la cavité du four, placez le support plateau puis le plateau rotatif qui doit s'emboîter. Chaque fois que le four est utilisé, il est important que ces accessoires soient à l'intérieur du four et correctement placés. **Le plateau rotatif peut tourner dans les deux sens.**

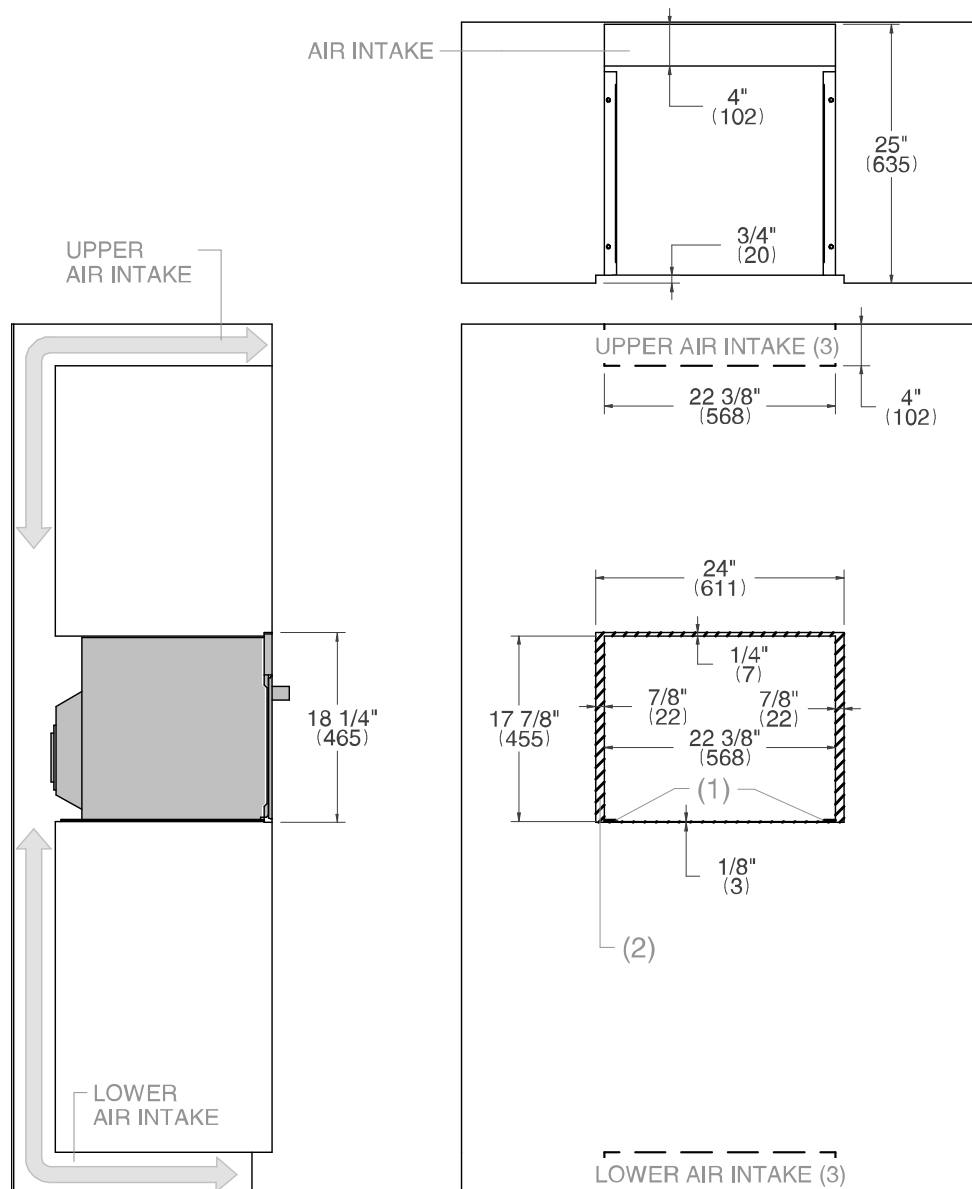


Installation / Installation du four

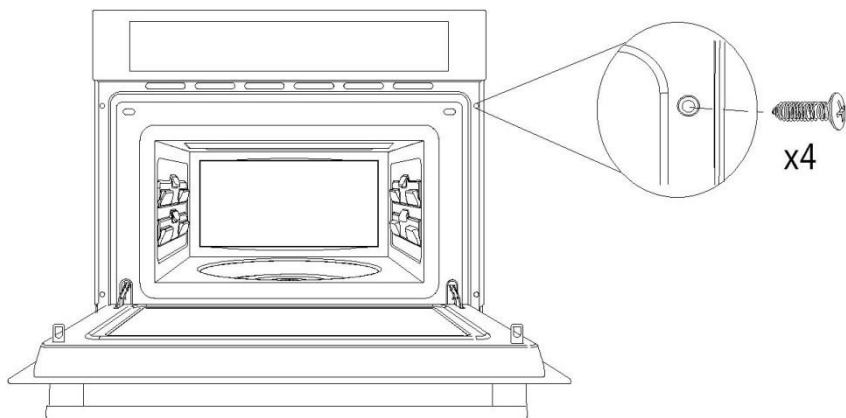


- (1) Spacers - Parts of standard equipment
- (2) Ensure there is an opening in the top or bottom of the cabinet as shown in the figure

Installation



- (1) Spacers - Parts of standard equipment
- (2) Finished surfaces - Will be visible
- (3) Ensure there is an opening in the top or bottom of the cabinet as shown in the figure



USA

- Push oven completely into the cabinet and centre it.
- Open microwave door and fasten the appliance to the cabinet using the four screws provided. Insert the screws through the front holes.

FR

- Introduisez le four dans le meuble jusqu'à ce que l'avant du four butte sur le bois et alignez-le.
- Ouvrez la porte du four et fixez ce dernier aux parois latérales du meuble au moyen des 4 vis fournies, par les trous prévus à cet effet.

BERTAZZONI Distributor List

Distributor	States
DISTINCTIVE APPLIANCES DISTRIBUTING INC. 51155 GRAND RIVER AVENUE WIXOM, MI 48393	Illinois, Indiana, Kentucky, Michigan, Minnesota, Ohio, West Virginia, Wisconsin
DOOLITTLE DISTRIBUTING INC. 13269 WEST 98TH STREET LENEXA, KANSAS 66215	Arkansas, Illinois, Iowa, Kansas, Missouri, Nebraska, Oklahoma
EASTERN MARKETING CORP. 24 EISENHOWER PARKWAY ROSELAND, NJ 07068	Connecticut, DC, Delaware, Maine, Maryland, Massachusetts, New Hampshire, New Jersey, New York, North Carolina, Pennsylvania, Rhode Island, South Carolina, Vermont, Virginia
ECHELON HOME PRODUCTS INC. 1051 ANDOVER PARK EAST TUKWILA, WA 98188	Alaska, Idaho, Montana, Oregon, Washington, Wyoming
PURCELL & MURRAY 185 PARK LANE BRISBANE, CA 94005	California, Nevada
PINNACLE EXPRESS INC. PO BOX 1836 33838 DUNDEE, FLORIDA	Alabama, Florida, Georgia, Tennessee
MILESTONE DISTRIBUTORS 4531 MCKINNEY AVENUE DALLAS, TEXAS 75205	Arizona, Louisiana, Mississippi, New Mexico, Texas

