

BERTAZZONI DESIGN SERIES

30" INDUCTION COOKTOP P30 4 I ME



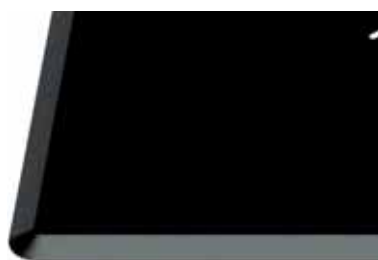
The Bertazzoni touch-control induction cooktop has a total output level of 7,200 W providing the fastest and most energy efficient way of cooking. Thanks to the booster function, the full energy becomes available instantaneously and is delivered directly to the cookware, eliminating inconvenient heat-up time and energy waste. This Bertazzoni Design Series cooktop features four individually controlled induction heating zones and a bevelled black glass ceramic main top.

TOUCH CONTROL



The touch control interface provides the most user-friendly and flexible cooking experience.

LIGHTING-FAST HEATING



The large 3000W induction heating element brings water to boil incredibly fast and with no heat dispersion.



TO COOK BEAUTIFULLY

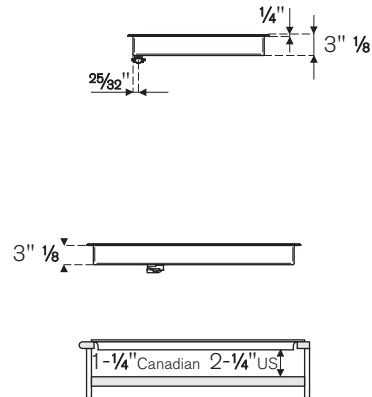
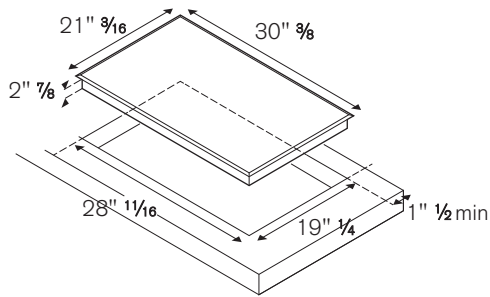
BERTAZZONI DESIGN SERIES

30" INDUCTION COOKTOP P30 4 I ME

FEATURES	
	30 Induction Cooktop P30 4 I ME
Induction zones	4
Back right	Ø 7" - 1800 W (booster 2800 W)
Front right	Ø 6" - 1200 W (booster 1400 W)
Back left	Ø 8" - 2200 W (booster 3000 W)
Front left	Ø 6" - 1200 W (booster 1400 W)
Maintop	bevelled ceramic glass
Worktop control	touch
Timer	yes

TECHNICAL SPECIFICATIONS

Electrical Requirements	208/240 Vac, 60 Hz
Max Amp usage, power rating	29,8 A-6,2 Kw - 30 A-7,2 Kw
Certification	CSA
Warranty	2 years parts and labor



This product requires the installation of a partition

INSTALLATION INSTRUCTIONS

Bertazzoni recommends to operate the appliance after it has been installed in a cabinet.

The kitchen cabinets shall be made of materials capable of withstanding temperatures at least 117°F (65°C) above room temperature in order to avoid possible damage to the cabinets during appliance usage.

Disclaimer: while every effort has been made to insure the accuracy of the information contained in this brochure, Fratelli Bertazzoni reserves the right to change any part of the information at any time without notice.

Fratelli Bertazzoni, Bertazzoni and the winged wheel brand icon are registered trademarks of Bertazzoni Spa.