
BERTAZZONI DESIGN SERIES

36" SEGMENTED COOKTOPS PM36 0 IG X



This Bertazzoni induction cooktop has a total output level of 10,200 W providing the fastest and most energy efficient way of cooking. Thanks to the booster function, the full energy becomes available instantaneously and is delivered directly to the cookware, thus eliminating inconvenient heat-up time. This Bertazzoni Design Series cooktop features 5 individually controlled induction heating zones and a sleek stainless steel framed low profile main top.

DUAL ZONE INDUCTION



With induction technology, all the energy is used to heat the cookware and food. This technology provides the fastest way to boiling and cooking.



TO COOK BEAUTIFULLY

BERTAZZONI DESIGN SERIES

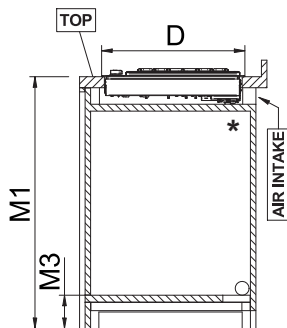
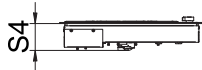
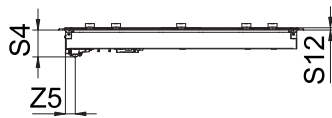
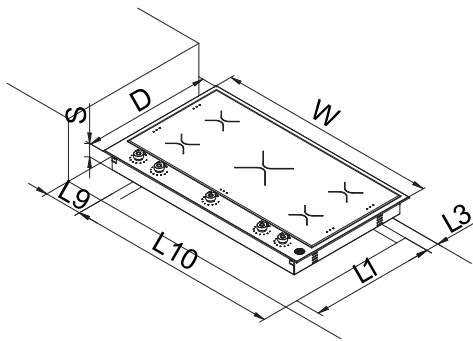
36" SEGMENTED COOKTOPS PM36 0 IG X

FEATURES

| | |
|------------------------------------|-----------------------------|
| Induction (4x with booster) | 5 11/16" Diam. - 1400/1800W |
| Induction (1x with booster) | 10 1/4" Diam. - 2400/3000W |

TECHNICAL SPECIFICATIONS

| | |
|--------------------------------|-------------------------|
| Electrical Requirements | 208-240V 120V 60Hz |
| Max. Amp Usage | 50 Amp |
| Certification | CSA |
| Warranty | 2 years parts and labor |
| Product weight | 57.3 lbs |
| Box weight | 59.3 lbs |



*This product cannot be installed over an under counter oven

DIMENSIONS

| Ref. | Description | Dimensions | |
|-----------------|--|----------------------------------|-----|
| | | Inches | mm |
| D | Cooktop depth | 20 ¹⁵ / ₃₂ | 520 |
| L1 | Cutout depth | 19 ¹¹ / ₁₆ | 500 |
| L3 (min) | Cutout clearance from backwall | 2 ⁶ / ₈ | 70 |
| L9 (min) | Cutout clearance from cabinetry | 6 ²⁵ / ₃₂ | 172 |
| L10 | Cutout width | 33 ⁷ / ₈ | 860 |
| M1 | Cabinetry height | 35 ³¹ / ₃₂ | 914 |
| M3 | Toekick height | 4 ³ / ₄ | 121 |
| S | Cooktop height | 2 ¹¹ / ₁₆ | 69 |
| S4 | Chassis height | 5 | 127 |
| S12 | Stainless steel height over countertop | ⁵ / ₁₆ | 8 |
| W | Cooktop width | 35 ¹ / ₃₂ | 890 |
| Z5 | Adjustable horizontal exit | 1 ¹³ / ₃₂ | 36 |

INSTALLATION INSTRUCTIONS

Bertazzoni recommends to operate the appliance after it has been installed in a cabinet.

The kitchen cabinets shall be made of materials capable of withstanding temperatures at least 117°F (65°C) above room temperature in order to avoid possible damage to the cabinets during appliance usage. For further installation instructions refer to the installation manual.