

BERTAZZONI DESIGN SERIES

36" SEGMENTED COOKTOPS



PM36 1 IG X



PM36 5 00 X



PM36 5 S0 X



PM36 3 I0 X



PM36 3 0G X



PM36 0 IG X

Bertazzoni sets the new standard in surface cooking flexibility with its new Design Series Segmented cooktops. Housed in a sleek and sophisticated low-profile stainless steel frame, these new 36" cooktops are available in six combinations of gas, electric griddle and induction to perfectly match your own style of cooking. Combine a segmented cooktop with Bertazzoni Design Series or Professional Series wall ovens for a perfectly integrated kitchen, or upgrade your existing cooktop and elevate your surface cooking to the ultimate level.

BRASS POWER BURNER - 18K BTUs



Bertazzoni's exclusive dual power burner in cast brass delivers high-efficiency performance from delicately low simmer to full power (750-18,000 BTUs) with best-in-class heat-up time.

TEPPAN-YAKI GRIDDLE



Sear or cook food directly on the electric steel griddle.

DUAL ZONE INDUCTION



Boil water fastly and cook without surface heat thanks to induction technology. Available in combination with gas and griddle segments or in a 5 heating zone induction-only model.



THE INTEGRATED KITCHEN

BERTAZZONI DESIGN SERIES
36" COOKTOP 5-BURNERS

BERTAZZONI DESIGN SERIES
36" COOKTOP 5-BURNERS

BERTAZZONI DESIGN SERIES
36" COOKTOP 3-BURNERS AND
GRIDDLE

Cooktop 36"
PM36 5 00 X
5 burners

Cooktop 36"
PM36 5 S0 X
5 burners

Cooktop 36"
PM36 3 0G X
3 burners + griddle

Features

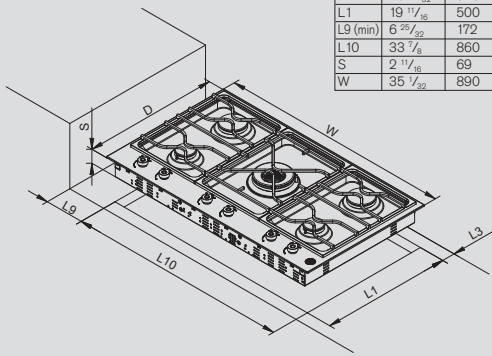
Brass Burner	5	5	3
Dual wok	750-18000 Btu/h	750-18000 Btu/h	750-18000 Btu/h
Rapid	11000 Btu/h	11000 Btu/h	11000 Btu/h
Semi-rapid	6200 Btu/h	6200 Btu/h	6200 Btu/h
Griddle power	-	-	800 W
Electrical Requirements	120V 60Hz	120V 60Hz	120V 60Hz
Max. Amp Usage	1 Amp	1 Amp	12

Comes with wok ring (408117)
Optional: simmer ring (408077) available

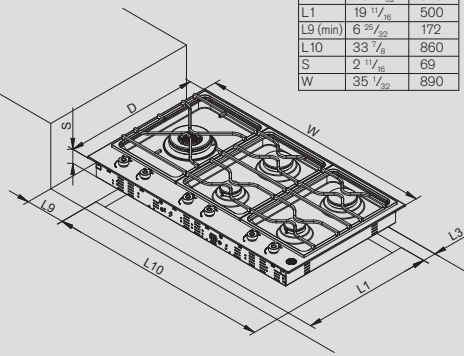
Comes with wok ring (408117)
Optional: simmer ring (408077) available

Comes with wok ring (408117)
Optional: simmer ring (408077) available

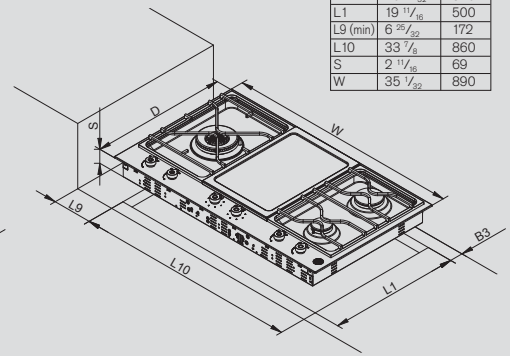
Rif.	Dim.	
	Inches	mm
L3 (min)	2 3/4	70
D	20 15/32	520
L1	19 11/16	500
L9 (min)	6 25/32	172
L10	33 7/8	860
S	2 11/16	69
W	35 1/32	890



Rif.	Dim.	
	Inches	mm
L3 (min)	2 3/4	70
D	20 15/32	520
L1	19 11/16	500
L9 (min)	6 25/32	172
L10	33 7/8	860
S	2 11/16	69
W	35 1/32	890



Rif.	Dim.	
	Inches	mm
L3 (min)	2 3/4	70
D	20 15/32	520
L1	19 11/16	500
L9 (min)	6 25/32	172
L10	33 7/8	860
S	2 11/16	69
W	35 1/32	890



BERTAZZONI DESIGN SERIES
36" COOKTOP 3-BURNERS +
2 INDUCTION ZONES

BERTAZZONI DESIGN SERIES
36" COOKTOP 1-BURNER +
2 INDUCTION ZONES AND GRIDDLE

BERTAZZONI DESIGN SERIES
36" COOKTOP 5 INDUCTION ZONES

Cooktop 36"
PM36 3 I0 X
3 burners + 2 induction zones

Cooktop 36"
PM36 1 IG X

Cooktop 36"
PM36 0 IG X

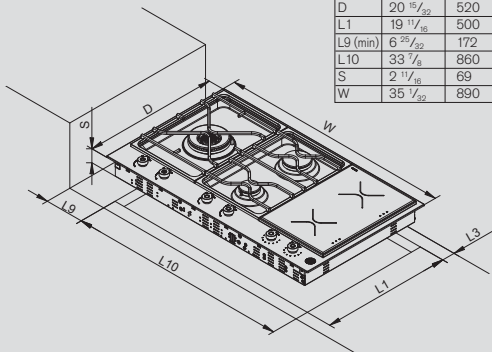
Technical specification

Brass Burner	3	3	-
Dual wok	750-18000 Btu/h	750-18000 Btu/h	-
Rapid	11000 Btu/h	n/a	-
Semi-rapid	6200 Btu/h	n/a	-
Induction (medium)	5 11/16" Diam.; 1400/1800W	5 11/16" Diam.; 1400/1800W	5 11/16" Diam.; 1400/1800W
Induction (large)	-	-	10 1/4" Diam.; 2400/3000W
Griddle power	-	800W	-
Electrical Requirements	208-240V 120V 60Hz	208-240V 120V 60Hz	208-240V 120V 60Hz
Max. Amp Usage	15 Amp	30 Amp	15 Amp

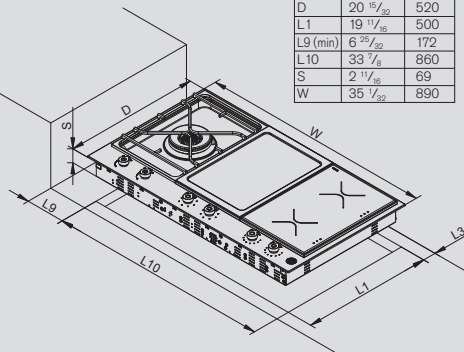
Comes with wok ring (408117)
Optional: simmer ring (408077) available

Comes with wok ring (408117)
Optional: simmer ring (408077) available

Rif.	Dim.	
	Inches	mm
L3 (min)	2 5/8	70
D	20 15/32	520
L1	19 11/16	500
L9 (min)	6 25/32	172
L10	33 7/8	860
S	2 11/16	69
W	35 1/32	890



Rif.	Dim.	
	Inches	mm
L3 (min)	2 5/8	70
D	20 15/32	520
L1	19 11/16	500
L9 (min)	6 25/32	172
L10	33 7/8	860
S	2 11/16	69
W	35 1/32	890



Rif.	Dim.	
	Inches	mm
L3 (min)	2 5/8	70
D	20 15/32	520
L1	19 11/16	500
L9 (min)	6 25/32	172
L10	33 7/8	860
S	2 11/16	69
W	35 1/32	890

