
BERTAZZONI DESIGN SERIES

36" SEGMENTED COOKTOPS PM36 3 IO X



Bertazzoni sets the new standard in surface cooking flexibility with its new Design Series Segmented cooktops. Housed in a sleek and sophisticated low-profile stainless steel maintop, these new 36" cooktops are available in six combinations of gas, electric griddle and induction to perfectly match your own style of cooking. Combine a segmented cooktop with a Bertazzoni Design Series or Professional Series wall oven for a perfectly integrated kitchen, or upgrade your existing cooktop and elevate your cooking to the ultimate level.

BRASS POWER BURNER



Bertazzoni's exclusive dual zone power burner in cast brass delivers high-efficiency performance from a delicate low simmer to full power (750-18,000 BTUs) with best-in-class heat-up time.

DUAL ZONE INDUCTION



With induction technology, all the energy is used to heat the cookware and food. This technology provides the fastest way to boiling and cooking.



TO COOK BEAUTIFULLY

BERTAZZONI DESIGN SERIES

36" SEGMENTED COOKTOPS PM36 3 IO X

FEATURES

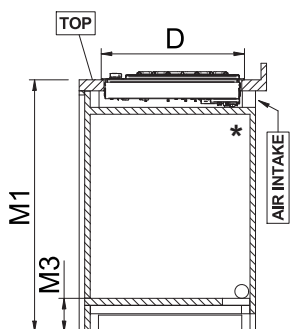
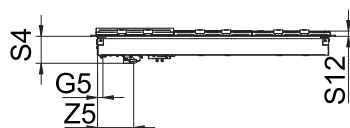
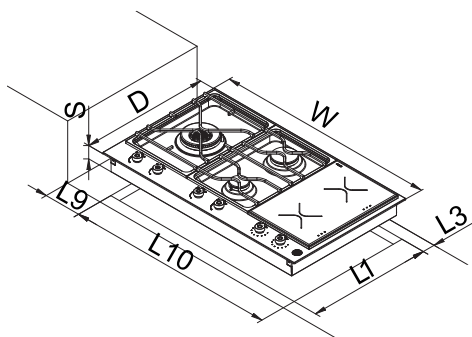
Brass Burner	3
Dual wok (1x)	750-18000 Btu/h
Rapid (1x)	11000 Btu/h
Semi-rapid (1x)	6200 Btu/h
Induction (2x & power boost)	5 11/16" Diam. - 1400/1800W

TECHNICAL SPECIFICATIONS

Electrical Requirements	208-240V 120V 60Hz
Max. Amp Usage	15 Amp
Certification	CSA
Warranty	2 years parts and labor
Product weight	56.2 lbs
Box weight	58.2 lbs

ACCESSORIES

Wok ring (standard)	code 408117
Simmer ring (optional)	code 408077



* This product cannot be installed over an under counter oven

DIMENSIONS

Ref.	Description	Dimensions	
		Inches	mm
D	Cooktop depth	20 ¹⁵ / ₃₂	520
G1	Distance between gas outlet connection and frontal side	17 ¹⁵ / ₃₂	444
G5	Distance between gas outlet connection and left side	¹³ / ₁₆	20
L1	Cutout depth	19 ¹¹ / ₁₆	500
L3 (min)	Cutout clearance from backwall	2 ⁶ / ₈	70
L9 (min)	Cutout clearance from cabinetry	6 ²⁵ / ₃₂	172
L10	Cutout width	33 ⁷ / ₈	860
M1	Cabinetry height	35 ³¹ / ₃₂	914
M3	Toekick height	4 ³ / ₄	121
M10	Cooktop max encumbrance	3 ¹⁷ / ₃₂	90
S	Cooktop height	2 ¹¹ / ₁₆	69
S4	Chassis height	5	127
S12	Cast iron grid height	¹³ / ₁₆	20
W	Cooktop width	35 ¹ / ₃₂	890
Z5	Adjustable horizontal exit	5 ³ / ₁₆	131

INSTALLATION INSTRUCTIONS

Bertazzoni recommends to operate the appliance after it has been installed in a cabinet.

The kitchen cabinets shall be made of materials capable of withstanding temperatures at least 117°F (65°C) above room temperature in order to avoid possible damage to the cabinets during appliance usage. For further installation instructions refer to the installation manual.