
BERTAZZONI DESIGN SERIES

36" SEGMENTED COOKTOPS PM36 5 S0 X



Bertazzoni sets the new standard in surface cooking flexibility with its new Design Series Segmented cooktops. Housed in a sleek and sophisticated low-profile stainless steel maintop, these new 36" cooktops are available in six combinations of gas, electric griddle and induction to perfectly match your own style of cooking. Combine a segmented cooktop with a Bertazzoni Design Series or Professional Series wall oven for a perfectly integrated kitchen, or upgrade your existing cooktop and elevate your cooking to the ultimate level.

BRASS POWER BURNER



Bertazzoni's exclusive dual zone power burner in cast brass delivers high-efficiency performance from a delicate low simmer to full power (750-18,000 BTUs) with best-in-class heat-up time.



TO COOK BEAUTIFULLY

BERTAZZONI DESIGN SERIES

36" SEGMENTED COOKTOPS PM36 5 S0 X

FEATURES

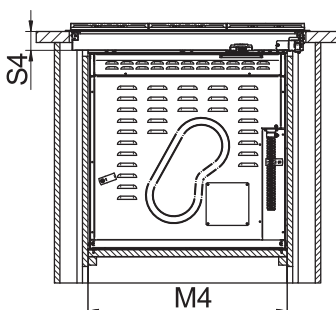
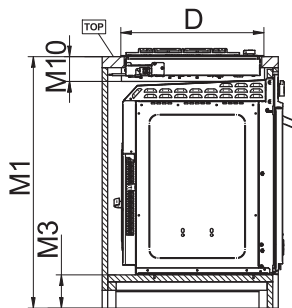
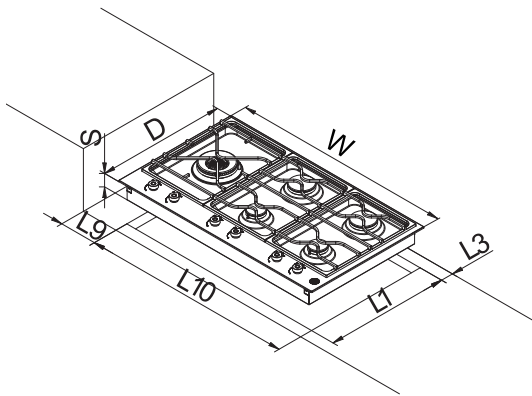
| | |
|-----------------|-----------------|
| Brass Burner | 5 |
| Dual wok (1x) | 750-18000 Btu/h |
| Rapid (2x) | 11000 Btu/h |
| Semi-rapid (2x) | 6200 Btu/h |

TECHNICAL SPECIFICATIONS

| | |
|-------------------------|-------------------------|
| Electrical Requirements | 120V 60Hz |
| Max. Amp Usage | 1 Amp |
| Certification | CSA |
| Warranty | 2 years parts and labor |
| Product weight | 48,5 lbs |
| Box weight | 50.5 lbs |

ACCESSORIES

| | |
|------------------------|-------------|
| Wok ring (standard) | code 408117 |
| Simmer ring (optional) | code 408077 |



DIMENSIONS

| Ref. | Description | Dimensions | |
|----------|---|----------------------------------|-----|
| | | Inches | mm |
| D | Cooktop depth | 20 ¹⁵ / ₃₂ | 520 |
| G1 | Distance between gas outlet connection and frontal side | 17 ¹⁵ / ₃₂ | 444 |
| G5 | Distance between gas outlet connection and left side | ¹³ / ₁₆ | 20 |
| L1 | Cutout depth | 19 ¹¹ / ₁₆ | 500 |
| L3 (min) | Cutout clearance from backwall | 2 ³ / ₄ | 70 |
| L9 (min) | Cutout clearance from cabinetry | 6 ²⁵ / ₃₂ | 172 |
| L10 | Cutout width | 33 ⁷ / ₈ | 860 |
| M1 | Cabinetry height | 35 ³¹ / ₃₂ | 914 |
| M3 | Toekick height | 4 ³ / ₄ | 121 |
| M4 | Cabinetry width | 28 ¹ / ₂ | 724 |
| M10 | Cooktop max encumbrance | 3 ¹⁷ / ₃₂ | 90 |
| S | Cooktop height | 2 ¹¹ / ₁₆ | 69 |
| S4 | Chassis height | 2 ¹¹ / ₁₆ | 69 |
| W | Cooktop width | 35 ¹ / ₃₂ | 890 |
| Z5 | Adjustable horizontal exit | 8 ²⁷ / ₃₂ | 225 |

INSTALLATION INSTRUCTIONS

Bertazzoni recommends to operate the appliance after it has been installed in a cabinet.

The kitchen cabinets shall be made of materials capable of withstanding temperatures at least 117°F (65°C) above room temperature in order to avoid possible damage to the cabinets during appliance usage.