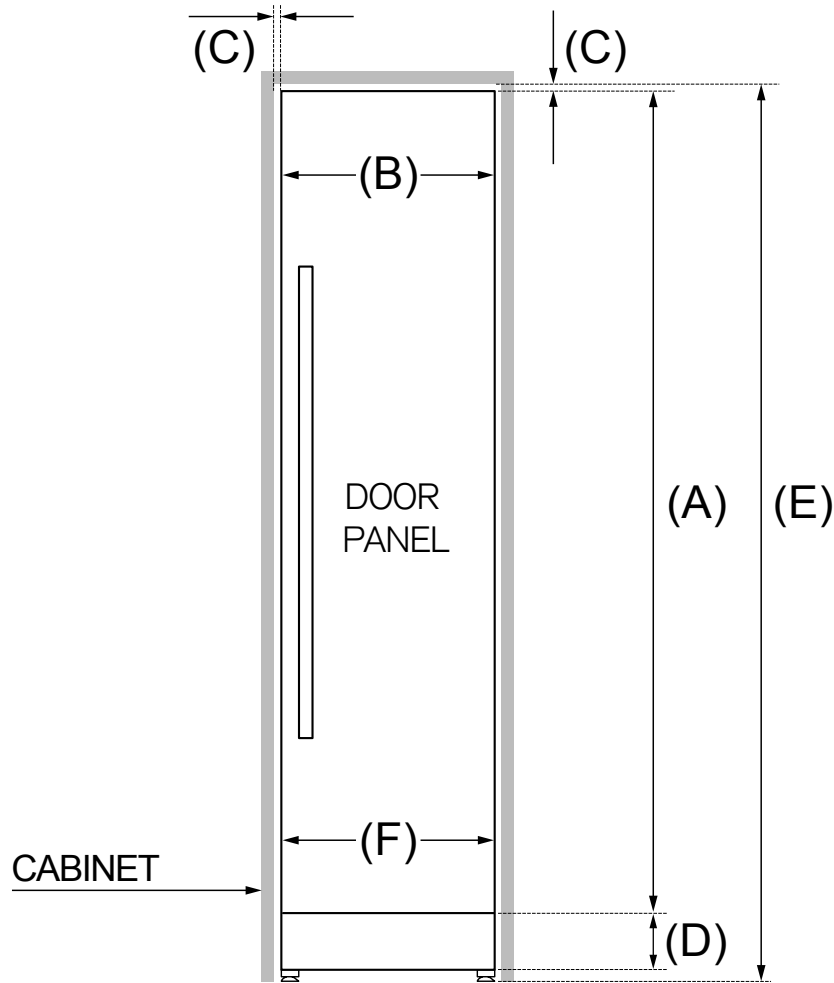


# CUSTOM DOOR PANEL SPECIFICATIONS

FOR BUILT-IN FREEZER COLUMN MODEL REF18FCBIPRV

Panel to be manufactured and fitted by cabinet maker and installer



NOTE: The freezer comes with a 4" (100 mm) stainless steel toe kick installed to fit a standard 84" (2134 mm) tall cabinet niche. For flush installation in a standard 25" (635 mm) deep cabinet niche, maximum door panel thickness is 15/16" (24 mm).

DIMENSIONS - INCHES (MILLIMETERS)		
(A)	Height of door panel	79 15/16" (2030)
(B)	Width of door panel	17 3/4" (451)
(C)	Gap between door panel and cabinet	1/8" (3)
(D)	Toe kick height	min 3 3/4" (96) - max 5 3/8" (136)
(E)	Cabinet height	min 83 13/16" (2129) - max 85 3/8" (2169)
(F)	Cabinet width	18" (457)
Thickness of custom panel		min 3/4" (19) - max 1 1/2" (38)

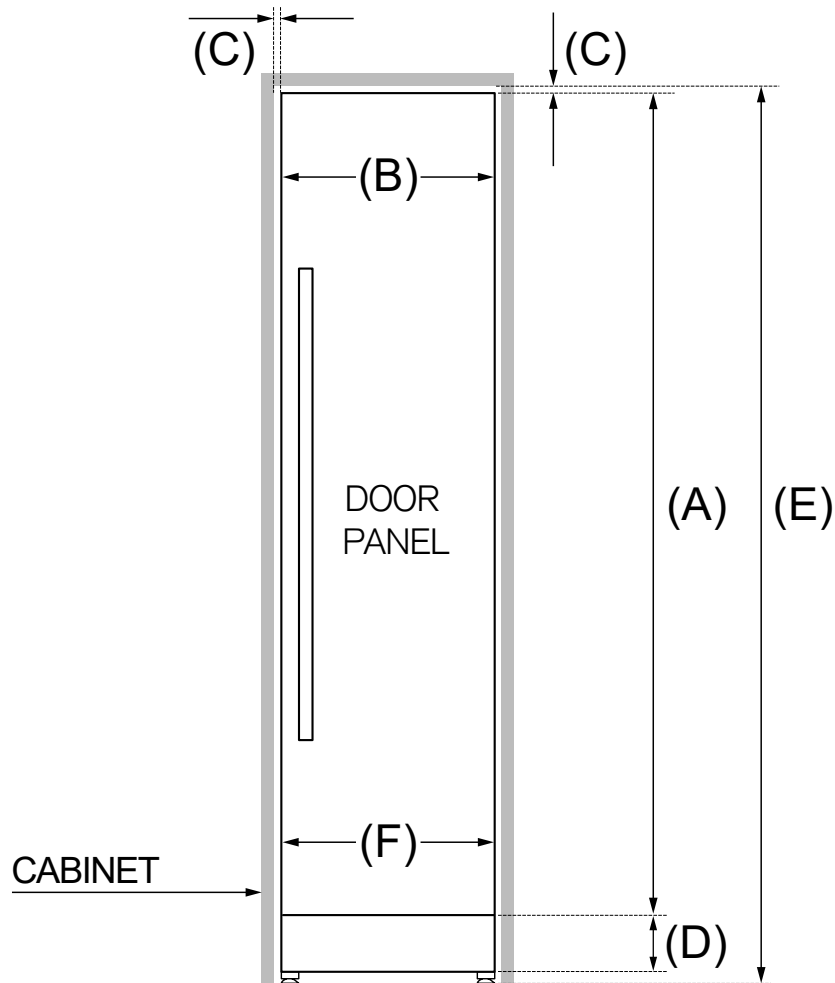
WEIGHT - POUNDS (KILOGRAMS)	
Maximum weight of door panel	66 lbs (30 kg)

**Disclaimer:** while every effort has been made to insure the accuracy of the information contained in this document, Fratelli Bertazzoni reserves the right to change any part of the information at any time without notice. For detailed installation specifications consult the installation manual. Fratelli Bertazzoni, Bertazzoni and the winged wheel brand icon are registered trademarks of Bertazzoni Spa.

# STAINLESS STEEL DOOR PANEL SPECIFICATIONS

FOR BUILT-IN FREEZER COLUMN MODEL REF18FCBIPRV

SP18CX accessory panel to be fitted by installer



NOTE: The refrigerator comes with a 4" (100 mm) stainless steel toe kick installed to fit a standard 84" (2134 mm) tall cabinet niche.

DIMENSIONS - INCHES (MILLIMETERS)		
(A)	Height of stainless steel panel	79 15/16" (2030)
(B)	Width of stainless steel panel	17 3/4" (451)
(C)	Gap between steel panel and cabinet	1/8" (3)
(D)	Toe kick height	min 3 3/4" (96) - max 5 3/8" (136)
(E)	Cabinet height	min 83 13/16" (2129) - max 85 3/8" (2169)
(F)	Cabinet width	18" (457)
Thickness of stainless steel panel		3/4" (19)

WEIGHT - POUNDS (KILOGRAMS)	
Weight of stainless steel panel	37 lbs (17 kg)

**Disclaimer:** while every effort has been made to insure the accuracy of the information contained in this document, Fratelli Bertazzoni reserves the right to change any part of the information at any time without notice. For detailed installation specifications consult the installation manual. Fratelli Bertazzoni, Bertazzoni and the winged wheel brand icon are registered trademarks of Bertazzoni Spa.