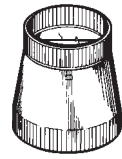
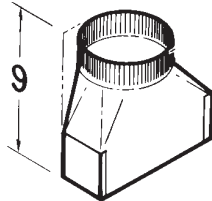


## TRANSITIONS, DAMPERS, & ADAPTORS

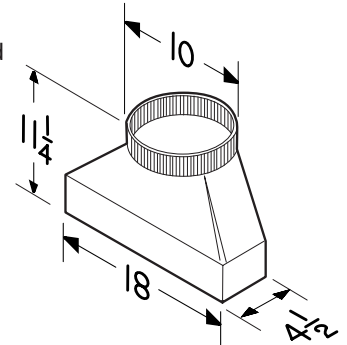


- Model 411 Transition**  
 ● 3¼" x 10" to 6" round  
**Model 412H Transition**  
 ● 3¼" x 10" to 7" round  
**Model 413 Transition**  
 ● 3¼" x 10" to 8" round

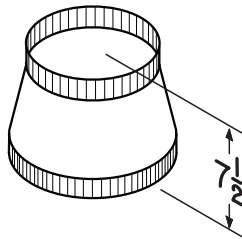
All models above -  
 30 GA galvanized steel  
 construction



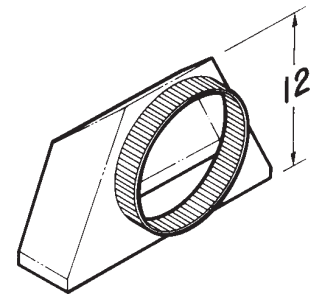
- Model 423 Transition**  
 ● 4½" x 18½" to 10" round  
 - vertical discharge  
 ● 26 GA galvanized steel  
 construction



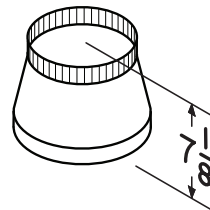
- Model 414 Transition**  
 ● 10" round to 8" round  
 ● 24 GA galvanized steel



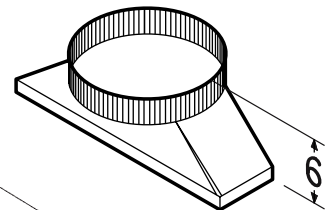
- Model 424 Transition**  
 ● 4½" x 18½" to 10" round  
 horizontal, rear discharge  
 ● 26 GA galvanized steel  
 construction



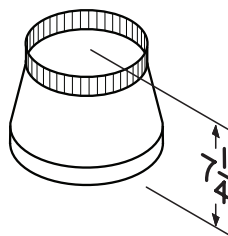
- Model T486 Transition**  
 ● 8" round to 6" round  
 ● 30 GA galvanized steel



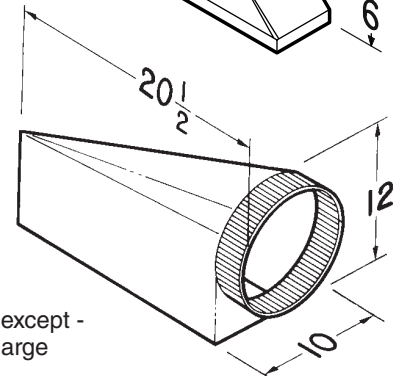
- Model 427 Transition**  
 ● 4½" x 18½" to 10" round  
 horizontal discharge  
 ● 26 GA galvanized steel  
 construction



- Model T487 Transition**  
 ● 8" round to 7" round  
 ● 24 GA galvanized steel



- Model 453 Transition**  
 ● 4½" x 18½" to 10" round horizontal,  
 left discharge  
 ● 26 GA galvanized  
 steel construction



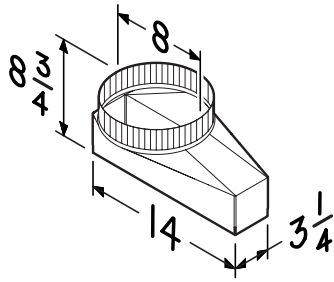
- Model 454 Transition**  
 ● Same as Model 453 except -  
 horizontal right discharge

Broan-NuTone LLC Hartford, Wisconsin www.broan.com 800-637-1453 www.nutone.com 888-336-3948  
 BEST Hartford, Wisconsin www.BestRangeHoods.com

REFERENCE	QTY.	REMARKS	Project
			Location
			Architect
			Engineer
			Contractor
			Submitted by Date

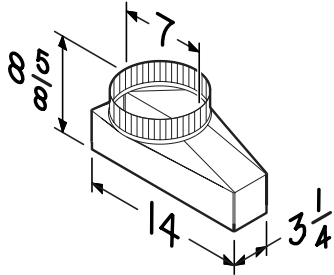
**Model 459 Transition**

- 3 1/4" x 14" to 8" round - vertical discharge
- 30 GA galvanized steel construction



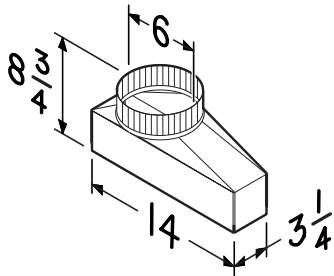
**Model T460 Transition**

- 3 1/4" x 14" to 7" round - vertical discharge
- 30 GA galvanized steel construction



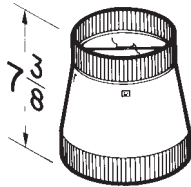
**Model T462 Transition**

- 3 1/4" x 14" to 6" round - vertical discharge
- 30 GA galvanized steel construction



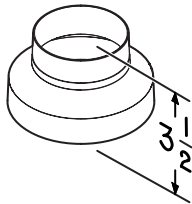
**Model 472 Transition / Damper**

- 10" round to 8" round
- Spring-loaded aluminum louvers
- Rubber stops
- 24 GA galvanized steel



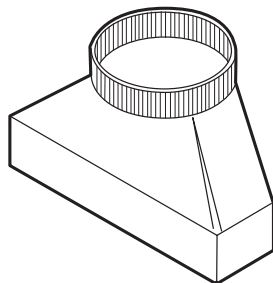
**Model 475 Transition**

- 6" round to 4" round
- Black, polymeric construction



**Model 475B Transition**

- Six-pack of Model 475

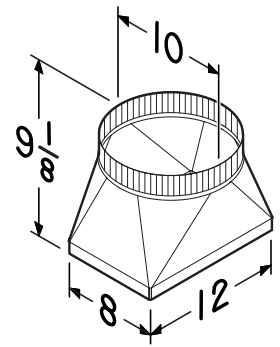


**Model T81212 Transition**

- 8" x 12" to 12" round
- 28 ga. galvanized steel

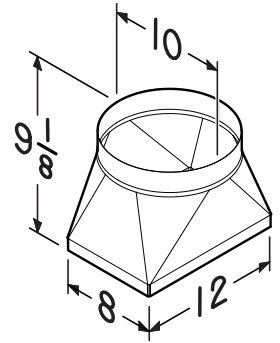
**Model S99610015 Transition**

- 8" x 12" to 10" round male - vertical discharge
- 26 GA galvanized steel construction



**Model S99610028 Transition**

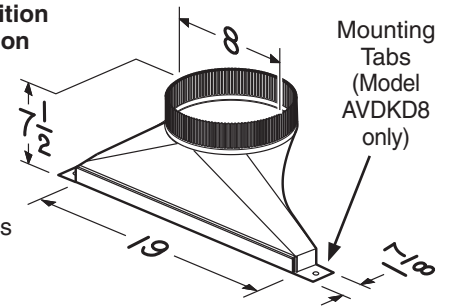
- 8" x 12" to 10" round female - vertical discharge
- 26 GA galvanized steel construction



**Model AVDKD8 Transition**

**Model ATKD8 Transition**

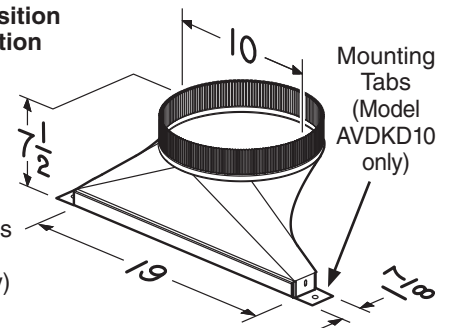
- 1-7/8" x 19" to 8" round
- 26 GA galvanized steel construction
- Includes duct slips (Model ATKD8 only)
- Includes 2 barrel nuts for attachment. (Model AVDKD8 only)



**Model AVDKD10 Transition**

**Model ATKD10 Transition**

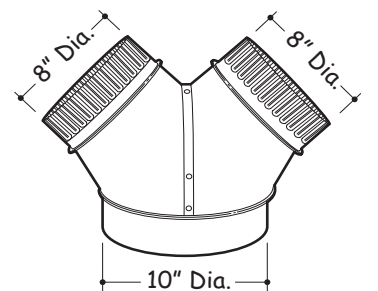
- 1-7/8" x 19" to 10" round
- 26 GA galvanized steel construction
- Includes duct slips (Model ATKD10 only)
- Includes 2 barrel nuts for attachment. (Model AVDKD10 only)



**Model AVDKD8810**

**Model ATKD8810**

- 10" round to dual 8" round
- 26 GA galvanized steel construction



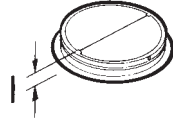
Broan-NuTone LLC Hartford, Wisconsin www.broan.com 800-637-1453

Broan-NuTone LLC Hartford, Wisconsin www.nutone.com 888-336-3948

BEST Hartford, Wisconsin www.BestRangeHoods.com

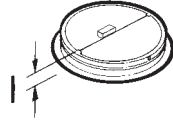
**Model BP87 Damper**

- 7" round
- Extruded steel with electrically-bonded epoxy finish
- .016 Aluminum louvers



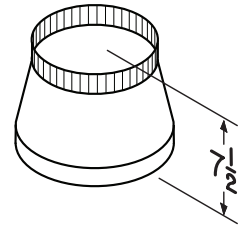
**Model BP87Q Damper**

- 7" round
- Extruded steel with electrically-bonded epoxy finish
- .016 Aluminum louvers
- Sound dampening foam



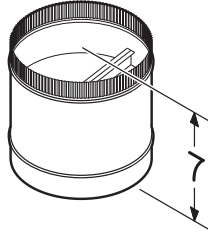
**Model T457 Transition**

- 7" round to 5" round
- 30 GA galvanized steel
- Can be use with BP87 or BP87Q



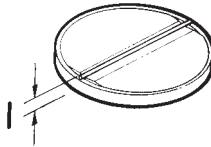
**Model 97 Damper**

- 7" round
- 28 GA galvanized steel
- Aluminum louvers



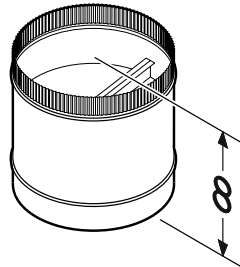
**Model 421 Damper**

- 10" round
- 24 GA galvanized steel with aluminum louvers



**Model 438 Damper**

- 8" round
- 24 GA galvanized steel with aluminum louvers

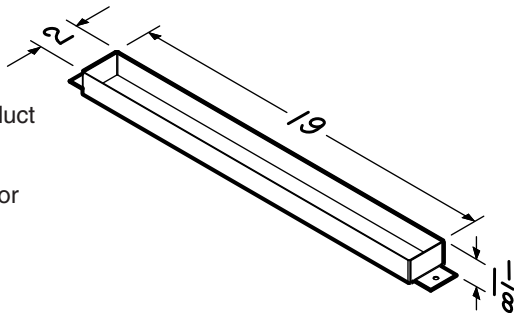


**Model AVDKD219**

**Model ATKD219**

**Adaptor**

- Adapts to 1-7/8" x 19" duct
- 22 GA galvanized steel construction
- Includes 2 barrel nuts for attachment



Broan-NuTone LLC Hartford, Wisconsin www.broan.com 800-637-1453

Broan-NuTone LLC Hartford, Wisconsin www.nutone.com 888-336-3948

BEST Hartford, Wisconsin www.BestRangeHoods.com