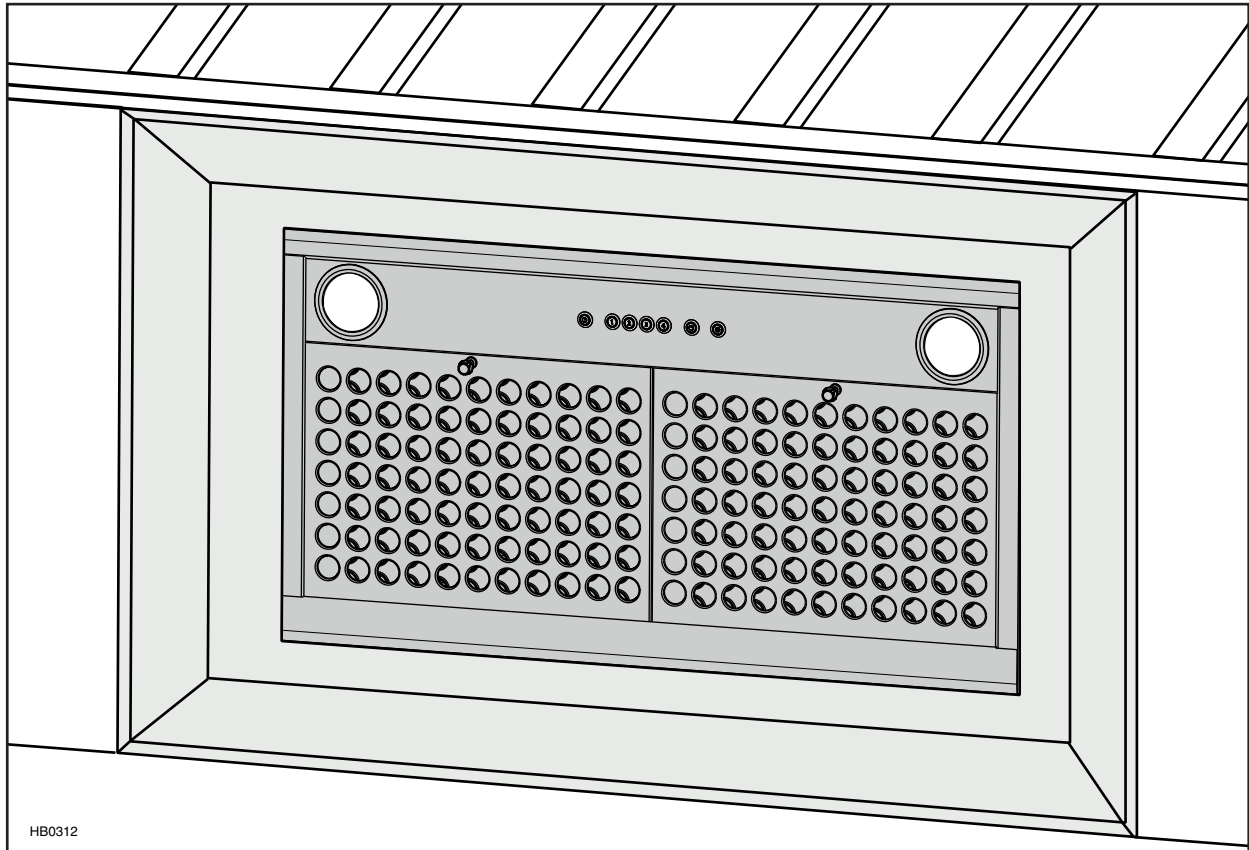


best®



CC6 SERIES

⚠ INTENDED FOR DOMESTIC COOKING ONLY ⚠

READ AND SAVE THESE INSTRUCTIONS

INSTALLER: LEAVE THIS MANUAL WITH HOMEOWNER.
HOMEOWNER: USE AND CARE INFORMATION ON PAGES 12 AND 13.

BEST; Hartford, Wisconsin www.BestRangeHoods.com 800-558-1711
BEST; Drummondville, QC, Canada www.BestRangeHoods.ca 866-737-7770



7 7 2 3 7 1 1 5 4 4 0 7

WARNING

TO REDUCE THE RISK OF FIRE, ELECTRIC SHOCK OR INJURY TO PERSONS, OBSERVE THE FOLLOWING:

1. Use this unit only in the manner intended by the manufacturer. If you have questions, contact the manufacturer at the address or telephone number listed in the warranty.
2. Before servicing or cleaning unit, switch power off at service panel and lock service disconnecting means to prevent power from being switched on accidentally. When the service disconnecting means cannot be locked, securely fasten a prominent warning device, such as a tag, to the service panel.
3. Installation work and electrical wiring must be done by qualified personnel in accordance with all applicable codes and standards, including fire-rated construction codes and standards.
4. Sufficient air is needed for proper combustion and exhausting of gases through the flue (chimney) of fuel burning equipment to prevent backdrafting. Follow the heating equipment manufacturer's guidelines and safety standards such as those published by the National Fire Protection Association (NFPA) and the American Society for Heating, Refrigeration and Air Conditioning Engineers (ASHRAE) and the local code authorities.
5. When cutting or drilling into wall or ceiling, do not damage electrical wiring and other hidden utilities.
6. Ducted fans must always be vented outdoors.
7. To reduce the risk of fire or electric shock, do not use this unit with any additional solid-state speed control device.
8. To reduce the risk of fire, use only metal ductwork.
9. This unit must be grounded.
10. When applicable local regulations comprise more restrictive installation and/or certification requirements, the aforementioned requirements prevail on those of this document and the installer agrees to conform to these at his own expenses.

TO REDUCE THE RISK OF A RANGE TOP GREASE FIRE:

- a) Never leave surface units unattended at high settings. Boilovers cause smoking and greasy spillovers that may ignite. Heat oils slowly on low or medium settings.
- b) Always turn hood ON when cooking at high heat or when flambeing food (i.e.: Crêpes Suzette, Cherries Jubilee, Peppercorn Beef Flambé).
- c) Clean ventilating fans frequently. Grease should not be allowed to accumulate on fan, filters or in exhaust ducts.
- d) Use proper pan size. Always use cookware appropriate for the size of the surface element.

WARNING

TO REDUCE THE RISK OF INJURY TO PERSONS IN THE EVENT OF A RANGE TOP GREASE FIRE, OBSERVE THE FOLLOWING*:

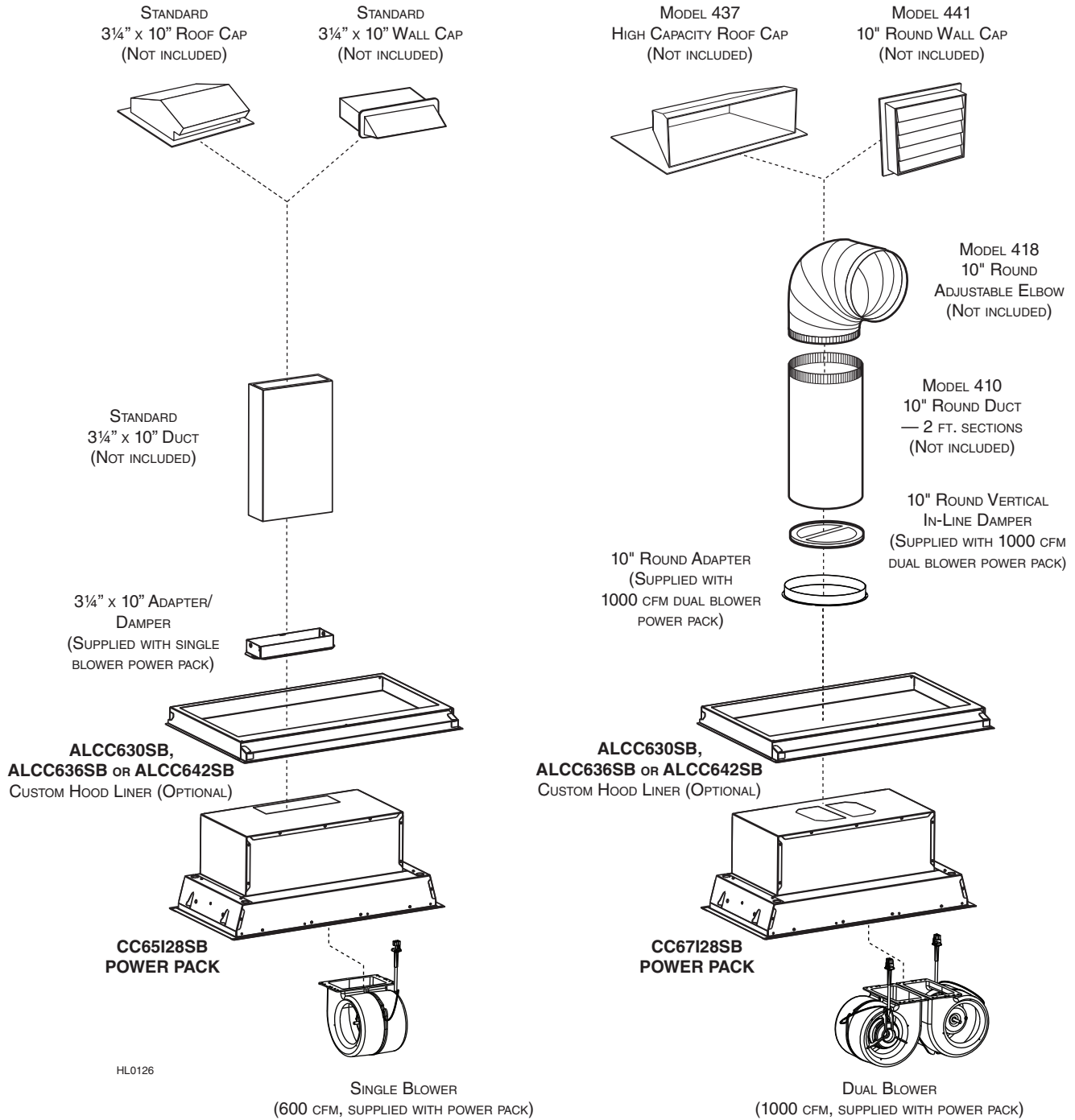
1. SMOTHER FLAMES with a close-fitting lid, cookie sheet or metal tray, then turn off the burner. BE CAREFUL TO PREVENT BURNS. IF THE FLAMES DO NOT GO OUT IMMEDIATELY, EVACUATE AND CALL THE FIRE DEPARTMENT.
2. NEVER PICK UP A FLAMING PAN — You may be burned.
3. DO NOT USE WATER, including wet dishcloths or towels — This could cause a violent steam explosion.
4. Use an extinguisher ONLY if:
 - A. You own a Class ABC extinguisher and you know how to operate it.
 - B. The fire is small and contained in the area where it started.
 - C. The fire department has been called.
 - D. You can fight the fire with your back to an exit.

* Based on "Kitchen Fire Safety Tips" published by NFPA.

CAUTION

1. For indoor use only.
2. For general ventilating use only. Do not use to exhaust hazardous or explosive materials and vapors.
3. To avoid motor bearing damage and noisy and/or unbalanced impellers, keep drywall spray, construction dust, etc. off power unit.
4. Your power pack motor(s) has a thermal overload which will automatically shut off the motor(s) if it overheats. The motor(s) will restart when cooled down. If the motor(s) continues to shut off and restart, have the power pack serviced.
5. The minimum hood distance above cooktop must not be less than 24". A maximum of 30" above cooktop is highly recommended for best capture of cooking impurities. **For a gas range**, the bottom of the hood MUST NOT BE LESS than 30" above cooktop.
6. Two installers are recommended because of the large size and weight of this unit.
7. To reduce the risk of fire and to properly exhaust air, be sure to duct air outside — Do not exhaust air into spaces within walls or ceiling or into attics, crawl space or garage.
8. Because of the high exhausting capacity of this unit, you should make sure enough air is entering the house to replace exhausted air by opening a window close to or in the kitchen.
9. To reduce the risk of fire and electrical shock, the Best CC6 Series models must be installed only with their own built-in blower(s). Other blowers cannot be substituted.
10. Please read specification label on product for further information and requirements.

- CC6 SERIES POWER PACK SYSTEM -



1. PREPARE THE INSTALLATION

⚠ WARNING

When performing installation, servicing or cleaning the unit, it is recommended to wear safety glasses and gloves.

NOTE: Before proceeding to the installation, check the contents of the box. If items are missing or damaged, contact the manufacturer.

Make sure that the following items are included:

- Power Pack
- Accessories:
 - 2 Filters
 - 2 Filter knobs with screws, taped inside power pack
 - 3/4" x 10" adapter/damper (supplied with 600 CFM single blower power pack)
 - 10" round in-line vertical damper (supplied with 1000 CFM dual blower power pack)
 - 10" round adapter (supplied with 1000 CFM dual blower power pack)
 - Bag of parts including: 1 wire clamp, 2 wire connectors, 4 no. 8 x 3/8" screws, 9 no. 8 x 1/2" chrome plated screws, 10 no. 8-32 x 1/4" screws. If need be, discard extra hardware.

Parts sold separately:

- Custom hood liner model ALCC630SB, ALCC636SB or ALCC642SB (optional)
- Ducts, elbows, wall and roof caps. Refer to page 3 for a complete list of venting options and model numbers.

NOTE: During installation, protect countertop and/or cooktop.

2. INSTALL DUCTWORK AND ELECTRICAL WIRING

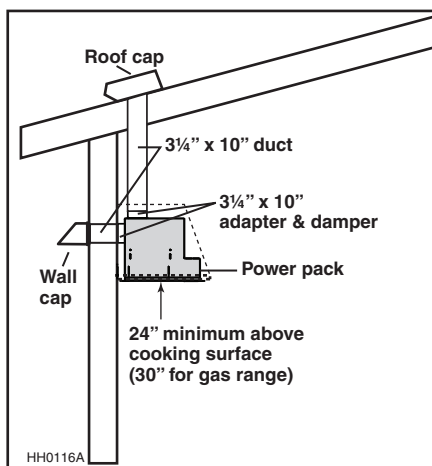
Plan where and how the ductwork will be installed. Access to the top of the power pack is preferred for connection of ductwork.

Install proper-sized ductwork, elbows and roof or wall cap for the type of power pack you are installing. If installing CC65I28SB single blower power pack, use 3/4" x 10" ductwork. If installing CC67I28SB double blower power pack, use 10" round ductwork. Use 2" metal foil duct tape to seal duct joints.

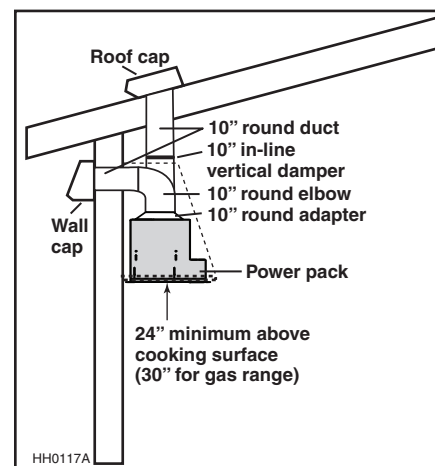
We recommend to install the power pack at a minimum distance of 24" from an electric range and 30" from a gas range.

Distances over 30" are at the installer and users discretion.

Run 3-wire power supply cable to installation location. Its length should extend **at least 4 feet** below the bottom of the custom hood.



MODEL CC65I28SB
(SINGLE BLOWER) TYPICAL DUCTWORK



MODEL CC67I28SB
(DUAL BLOWER) TYPICAL DUCTWORK

NOTE: Although the horizontal discharge installation is feasible with CC65I28SB power pack model, this installation type should be performed in specific situation only since it requires particular knowledge and technical skills from the installers.

3. PREPARE CUSTOM HOOD

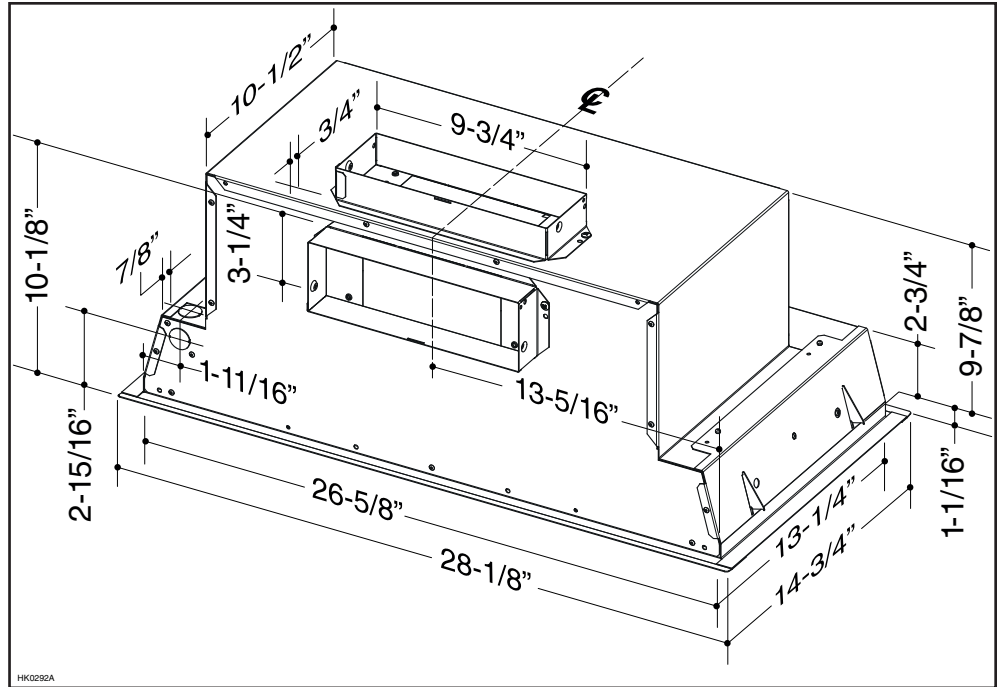
⚠ WARNING

When building a custom hood, always follow all applicable construction codes and standards. The custom hood must be positively secured to wall studs or other wooden framework behind the drywall. Make sure it is capable of supporting its own weight and the weight of the power pack. Failure to do so may cause personal injury or damage to countertop or cooktop.

The custom hood must be constructed to fit the shape and total weight of the CC6 series power pack model. The recommended minimum thickness for the custom hood base is 5/8". If an optional custom hood liner will be installed, we recommend the sides and front of the custom hood to be 3/4" thick. If the optional custom hood liner will not be installed, the custom hood sides and front thickness are at the installer's discretion. See chart and illustration for details.

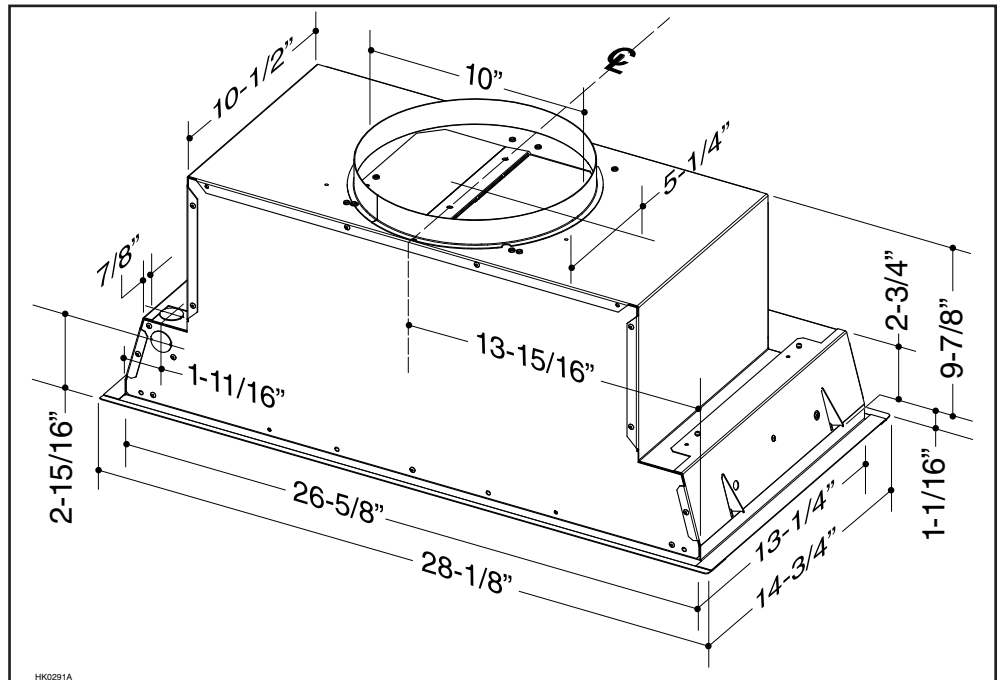
POWER PACK MODEL	TOTAL WEIGHT
CC65I28SB	33 LB.
CC67I28SB	45 LB.

CC65I28SB SINGLE BLOWER POWER PACK



CC67I28SB DUAL BLOWER POWER PACK

NOTE: The dual blower model has the same dimensions as the single blower model, but does not have a horizontal discharge.



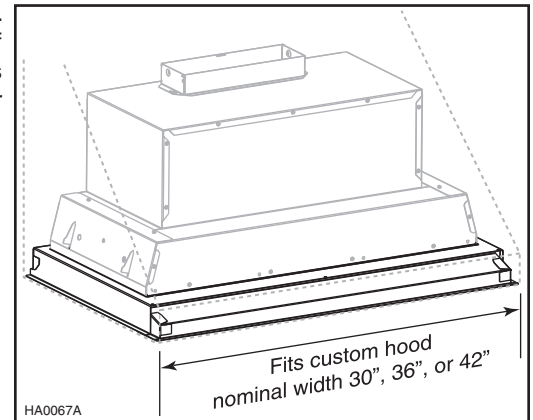
4. INSTALL CUSTOM HOOD LINER (OPTIONAL)

The liners are especially designed to protect the exterior base of the custom hood. Refer to the table below to find the right liner model number according to the width of the custom hood nominal width. To view specific model information, including depths for each liner model, visit www.BestRangeHoods.com, www.BestRangeHoods.ca, or contact Technical Support (phone number listed on front cover).

To install, see instruction packed with custom hood liner.

NOTE: The liner must be installed before the insert.

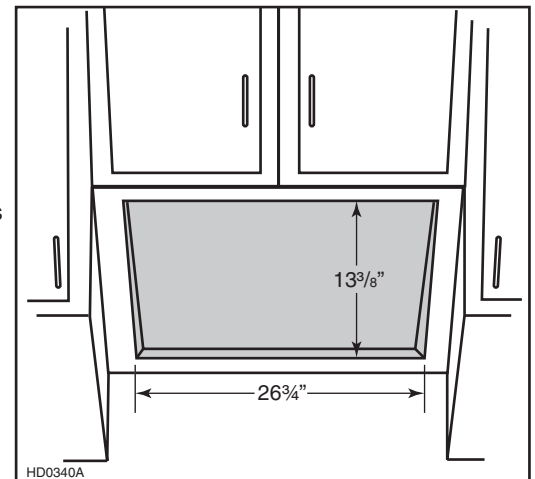
LINER MODEL	CUSTOM HOOD NOMINAL WIDTH
ALCC630SB	30"
ALCC636SB	36"
ALCC642SB	42"



5. CUT THE HOLE IN CUSTOM HOOD BASE

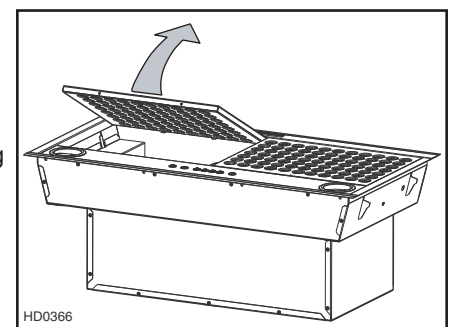
If it is not done yet, cut a hole in the bottom of the custom hood, using the dimensions shown at right.

NOTE: Keep in mind that the unit exterior flange is 3/4".



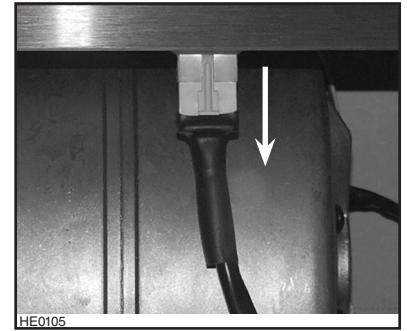
6. REMOVE FILTER

Rest the power pack on a table. Remove tapes on filters. Lift filters from power pack by pushing them towards the back and rotate, then set filters aside.



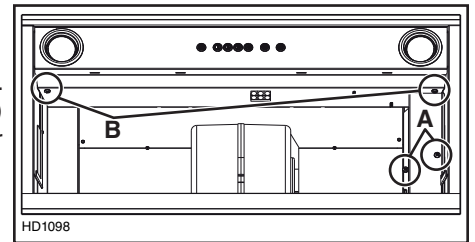
7. UNPLUG THE BLOWER(S)

Unplug the blower(s) (one or two, depending on model) from the front panel.



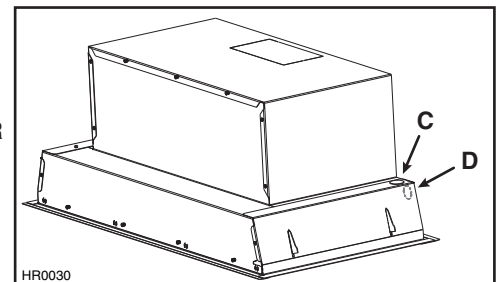
8. REMOVE WIRING COVER AND FRONT PANEL

Using a Robertson or a Phillips no. 2 screwdriver, remove both wiring cover retaining screws (A). Detach it from the power pack and set aside with its screws. Then, remove both sides screws (B) retaining the front panel to the power pack. Carefully detach the front panel from the power pack and set aside with its screws.



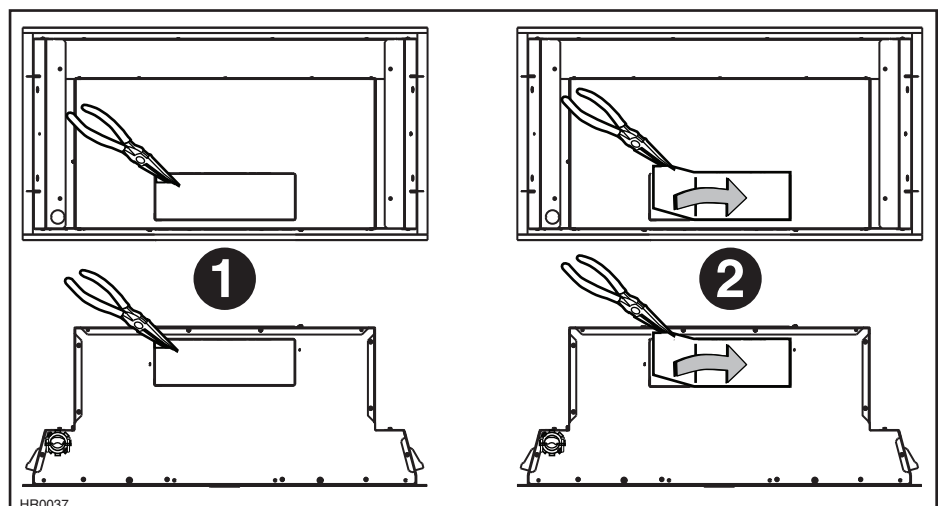
9. REMOVE THE ELECTRICAL KNOCKOUT

From inside the power pack, punch out the electrical knockout hole on top right side (C) OR on back right side (D). Install the wire clamp (included in parts bag).



10. REMOVE THE KNOCKOUT OPENING (SINGLE BLOWER MODEL ONLY)

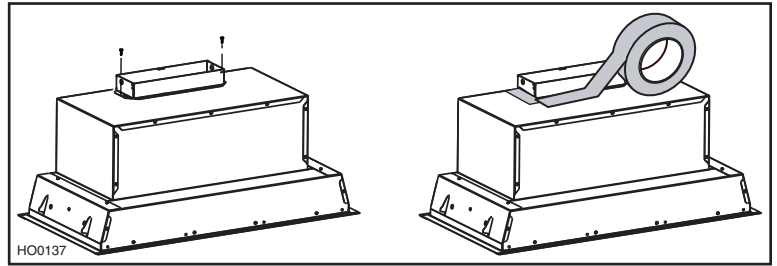
Remove the knockout opening on top (vertical discharge installation) or on back (horizontal discharge installation) of the power pack.



11. INSTALL THE ADAPTER/DAMPER (SINGLE BLOWER MODEL ONLY)

VERTICAL DISCHARGE INSTALLATION

Using 2 no. 8 x 3/8" screws provided in parts bag, secure the adapter/damper to the top of the power pack. Remove tape from damper flap. Seal the adapter to the power pack using metal foil duct tape.

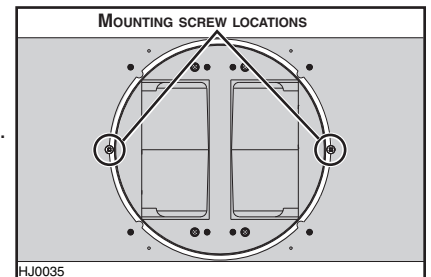


HORIZONTAL DISCHARGE INSTALLATION

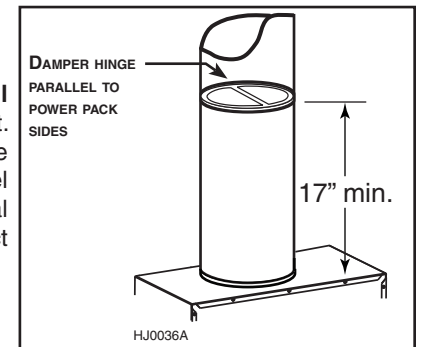
The adapter/damper will be installed on the back of the power pack once the power pack is mounted in the custom hood. Refer to step 15.

12. INSTALL THE ADAPTER AND THE DAMPER (DUAL BLOWER MODEL ONLY)

Using 2 no. 8 x 3/8" screws from parts bag, assemble the adapter on the top of the power pack. Seal all joints with metal foil duct tape to eliminate air leaks.



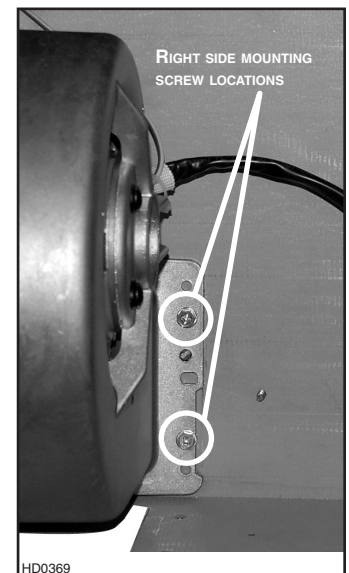
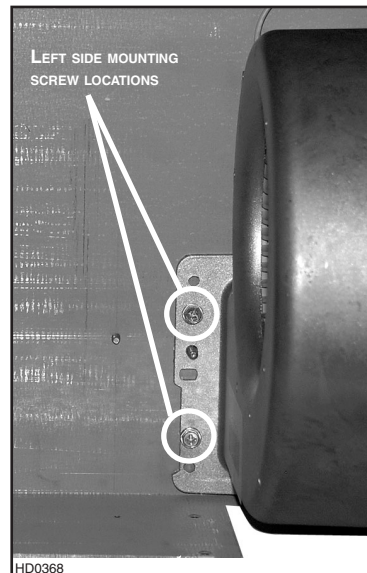
Install 10" damper inside the VERTICAL ductwork that will be attached to power pack. **Do not install in a horizontal ductwork or it will not open and close properly.** Remove shipping tape if present. To optimize airflow and reduce noise, position the damper at least 17" above the top of the double blower power pack; or as far as the duct run will allow. Also, ensure the damper hinge will be parallel to power pack sides (see figure at right). Secure the damper to the duct with 3 no. 8 sheet metal screws (not provided). Ensure damper opens and closes freely. Seal all joints with metal foil duct tape to eliminate air leaks.



13. REMOVE THE BLOWER (SINGLE BLOWER MODEL, HORIZONTAL DISCHARGE ONLY)

In order to ease the power pack alignment with horizontal ductwork, disassemble the blower from the power pack before installing it in the custom hood.

Using a 5/16" socket, or a Phillips no. 2 or a Robertson no. 2 screwdriver, remove all blower mounting screws from the inner top of the power pack. Set blower and screws aside.

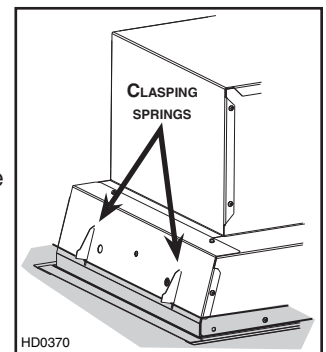


14. INSTALL THE POWER PACK

CAUTION

Take care not to kink ducting or pinch electrical cable when installing the power pack.

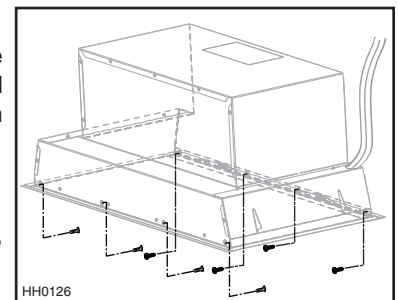
Insert the power pack in the custom hood until the bottom of the clamping springs (2 per side) rests on the top of the custom hood base (grey zone in illustration at right).



From inside the power pack, using provided no. 8-10 x 1/2" screws, mount the power pack to the custom hood base. To do so, raise the front until its flange rests on the outer side of the custom hood base and use 2 screws to secure in place. Do the same for the back, then complete the installation with 2 additional screws on the front and back. See figure at right for mounting screws locations.

VERTICAL EXHAUST INSTALLATION ONLY

Ensure the adapter/damper enters the ducting and the damper opens freely. Wherever it is possible, seal connections with metal foil duct tape.



17. CONNECT WIRING (ALL MODELS)

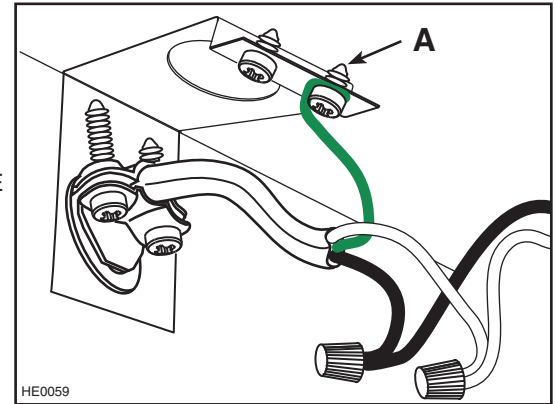
⚠ WARNING

Risk of electric shock. Electrical wiring must be done by qualified personnel in accordance with all applicable codes and standards. Before connecting wires, switch power off at service panel and lock service disconnecting means to prevent power from being switched on accidentally.

Insert the house wiring cable through the wire clamp previously installed in step 9. Tighten the wire clamp to secure the cable.

Connect cable using provided wire connectors.

Connect wires as follows: BLACK to BLACK, WHITE to WHITE and GREEN or BARE wire under ground screw. DO NOT FORGET TO CONNECT THE GROUND.

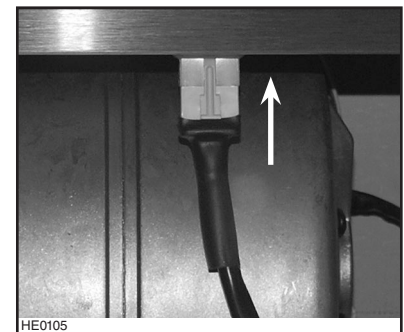
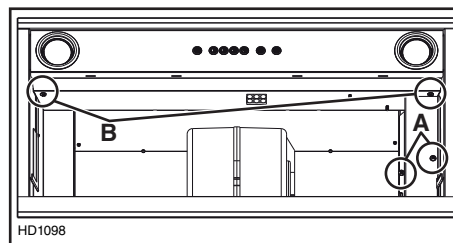
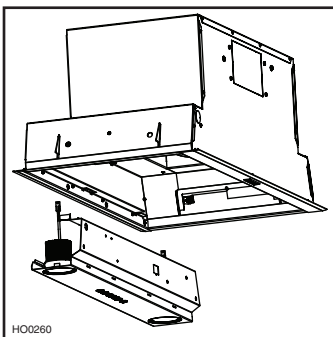


18. REINSTALL FRONT PANEL AND WIRING COVER

CAUTION

Take care not to pinch wiring when reinstalling the front panel and the wiring cover.

Carefully reassemble the front panel to the power pack by aligning the tabs with their corresponding slot. Using a Robertson or a Phillips no. 2 screwdriver, secure the front panel to the power pack using its both retaining screws (A) previously removed in step 8. Reassemble the wiring cover using its both retaining screws (B) previously removed in step 8. Plug the motor(s) (one or two, depending on model) to the front panel.

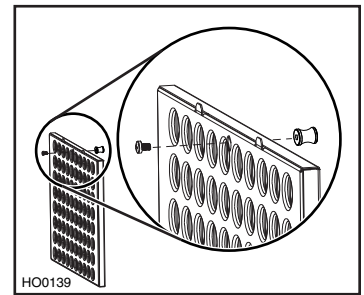


19. REINSTALL FILTERS

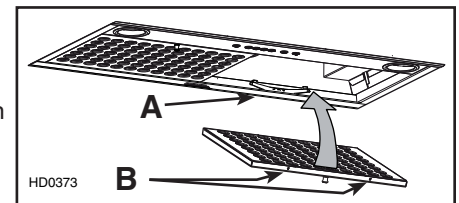
CAUTION

Remove protective plastic film covering filters before installing them.

1. Using a Phillips no. 2 screwdriver, assemble the knob to each filter.
NOTE: The screw MUST BE on filter tabs side. See illustration at right.



2. Rest rear filters edge on filter springs (A) in the power pack.
3. Using knob, tilt up the filters into position. Make sure filter tabs (B) are securely engaged in power pack front edge after installation.



20. LED LIGHTING

The lighting of this unit is produced by two LED modules (included).

WARNING

Do not touch lamps during or soon after operation. Burns may occur. Cannot be replaced by any other type of light bulb or LED module.

21. USE AND CARE

Filters

The filters should be cleaned frequently. Use a warm detergent solution. Wash more often if your cooking style generates more grease — like frying foods or wok cooking.

Remove filter by pushing it towards the back of power pack and rotating filter downward. Filters are dishwasher safe. Allow filters to dry completely before reinstalling them in the power pack.

Clean all-metal filters in the dishwasher using a non-phosphate detergent. Discoloration of the filters may occur if using phosphate detergent or as a result of local water conditions — but this will not affect filter performance. This discoloration is not covered by the warranty.

Power Pack Cleaning

Stainless steel cleaning:

- | Do: | Don't: |
|--|--|
| <ul style="list-style-type: none">• Regularly wash with clean cloth or rag soaked with warm water and mild soap or liquid dish detergent.• Always clean in the direction of original polish lines.• Always rinse well with clear water (2 or 3 times) after cleaning. Wipe dry completely.• You may also use a specialized household stainless steel cleaner. | <ul style="list-style-type: none">• Use any steel or stainless steel wool or any other scrapers to remove stubborn dirt.• Use any harsh or abrasive cleansers.• Allow dirt to accumulate.• Let plaster dust or any other construction residues reach the power pack. During construction or renovation, cover the power pack to make sure no dust adheres to stainless steel surface. |

Avoid when choosing a detergent:

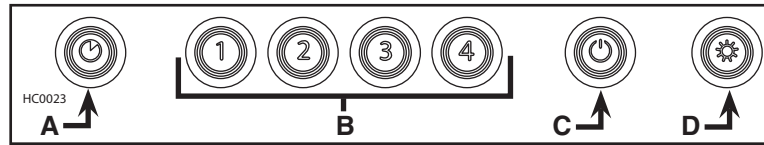
- Any cleaners that contain **bleach** will attack stainless steel.
- Any products containing: **chloride, fluoride, iodide, bromide** will deteriorate surfaces rapidly.
- Any combustible products used for cleaning such as **acetone, alcohol, ether, benzol**, etc., are highly explosive and should never be used close to a range.

22. OPERATION

⚠ WARNING

When using a gas stove, always turn the power pack blower(s) on prior to begin cooking. In addition, the blower(s) must be at least in third speed if three burners or more are turned on simultaneously. Failure to do so may lead the surface of the power pack to become very hot.

Always turn your power pack on before you begin cooking to establish an air flow in the kitchen. Let the blower run for a few minutes to clear the air after you turn off the range. This will help keep the whole kitchen cleaner and brighter.



A. DELAY SWITCH:

When a blower speed is selected, press this switch to activate the delay function. The corresponding blower speed switch will flash to indicate this function is activated. The blower will continue to operate for 5 minutes and will stop automatically.

To cancel the delay function, press the delay switch once again.

B. START/STOP/SPEED SELECTION SWITCHES:

Press the switch corresponding to the desired blower speed (from 1 for low speed to 4 for high speed). The chosen switch will light. To turn off the blower, press once more on the corresponding blower speed switch; the switch light will shut off.

NOTE: When blower is off, pressing on blower speed 1 switch will cause the blower to start on high speed for a very short lapse of time, and then resume on speed 1.

C. MASTER OFF/FILTER MAINTENANCE/HEAT SENTRY™ (TRIPLE FUNCTION SWITCH):

- i. To turn off the blower(s) and the light simultaneously, press this switch once.
- ii. After 25 hours of operation, this switch will light to indicate the filters and the blower wheel(s) need to be cleaned in order to maintain efficient operation of the unit. The switch light will stay on until the function is reset by pressing this switch for 3 seconds.
- iii. The light indicator is used for the Heat Sentry function as well.

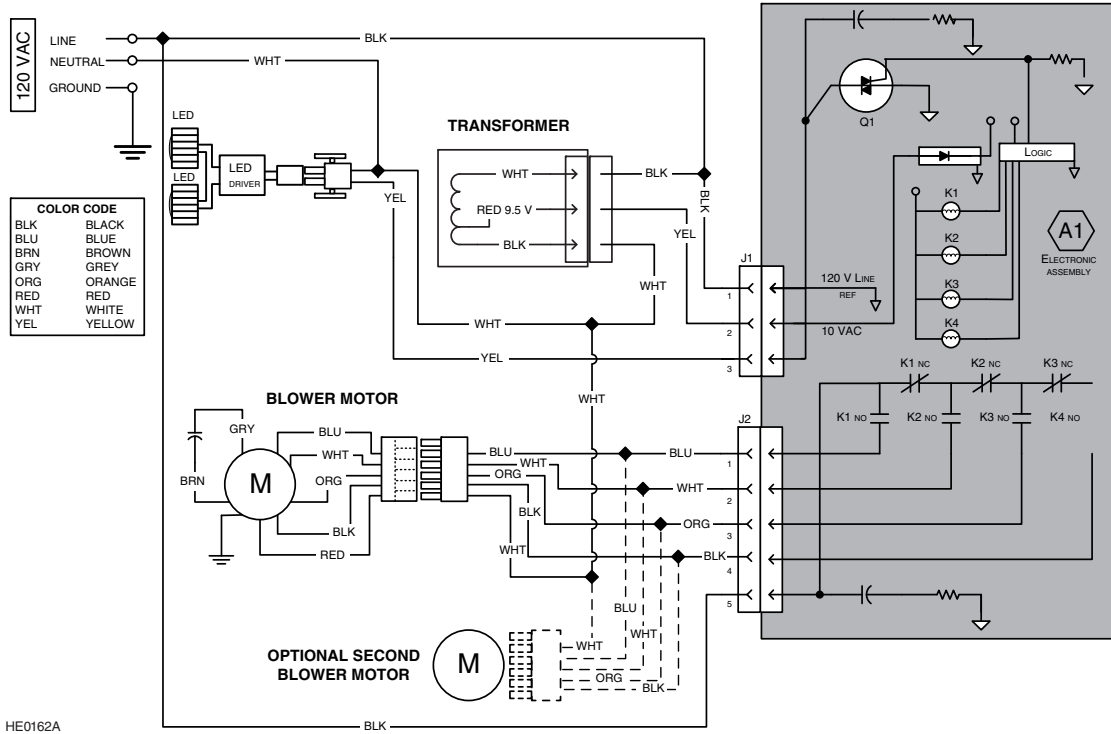
HEAT SENTRY: The power pack is equipped with a protective device that activates when excessive heat is detected inside the power pack and when it is set on speed 4. This device takes control of the blower and deactivates speed 4 for a 10-minute period and sets it on speed 3. During the Heat Sentry activation, only speed 3 can be used; the Heat Sentry button (C) will flash while the speed 3 button will light. The power pack can also be turned OFF.

D. LIGHT SWITCH:

This switch allows two different lighting levels according to your needs. Press once for full intensity, twice for nightlight.

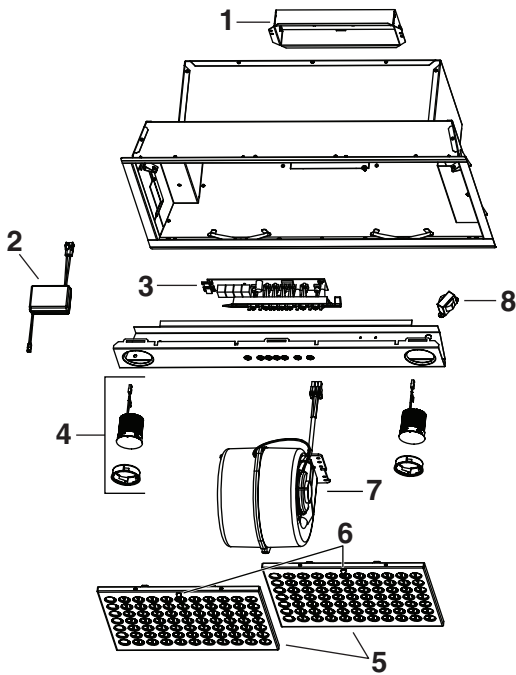
To shut off the lights without turning off the blower, press once more.

23. WIRING DIAGRAM



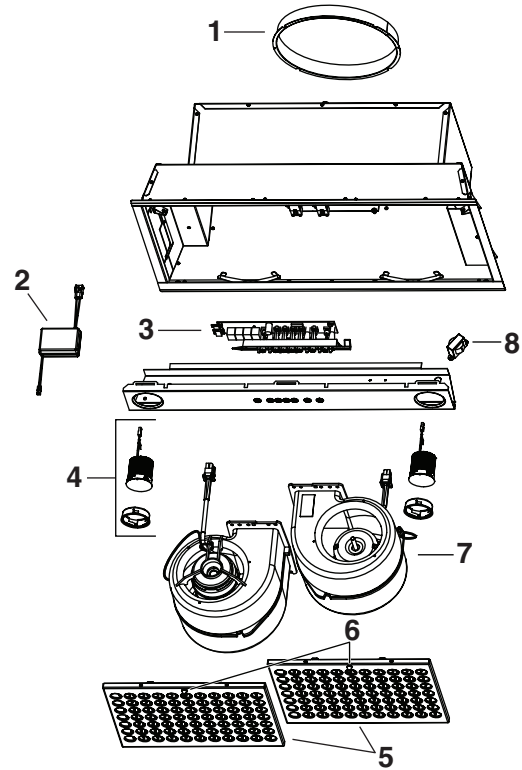
24. SERVICE PARTS

CC65I28SB



HL0447

CC67I28SB



KEY NO.	PART NO.	DESCRIPTION	QTY. (POWER PACK MODEL)	
			CC65I28SB	CC67I28SB
1	SV13296	ADAPTER/DAMPER 3¼" x 10"	1	-
	SV08541	ADAPTER 10" ROUND	-	1
2	62248	LED DRIVER AND CONNECTION HARNESS	1	1
3	SV21244	ELECTRONIC CONTROL WITH CHROMED BUTTONS AND BLUE LEDs	1	1
4	62612	LED MODULE (1)	2	2
5	SV18428	THIN BAFFLE FILTER	2	2
6	SV08967	FILTER KNOBS (INCLUDING SCREWS) (SET OF 2)	1	1
7	SV08582	INTERNAL BLOWER	1	2
8	SV09022	TRANSFORMER	1	1
*	SV05869	BEST LOGO	1	1
*	SV23862	INSTALLATION MANUAL	1	1
*	SV08545	PARTS BAG: 2 WIRE CONNECTOR, 1 WIRE CLAMP, 4 SCREWS NO. 8 x 3/8", 9 CHROMED PLATED SCREWS NO. 8-10 x 1/2", 10 MECHANICAL SCREWS NO. 8-32 x 1/4"	1	1

*Not shown

REPLACEMENT PARTS AND REPAIRS

In order to ensure your unit remains in good working condition, you must use Broan-NuTone genuine replacement parts only. Broan-NuTone genuine replacement parts are specially designed for each unit and are manufactured to comply with all the applicable certification standards and maintain a high standard of safety. Any third party replacement part used may cause serious damage and drastically reduce the performance level of your unit, which will result in premature failing. Broan-NuTone recommends to contact a certified service depot for all replacement parts and repairs.

25. WARRANTY

FIVE-YEAR LIMITED WARRANTY FOR BEST® PRODUCTS

Warranty Period and Exclusions: Broan-NuTone, LLC (the “Company”) warrants to the consumer purchaser of its product (“you”) that the product (the “Product”) will be free from material defects in the materials or its workmanship for a period of five (5) years from the date of original purchase (or such longer period as may be required by applicable law) or a period of two (2) years from the date of service for any labor provided on the Product.

The limited warranty period for any replacement parts provided by the Company and for any Products repaired or replaced under this limited warranty shall be the remainder of the original warranty period (or such longer period as may be required by applicable law).

THIS WARRANTY DOES NOT EXTEND TO FLUORESCENT LAMP STARTERS, TUBES AND BULBS, FUSES, FILTERS, DUCTS, ROOF CAPS, WALL CAPS AND OTHER ACCESSORIES FOR DUCTING. This warranty does not cover (a) normal maintenance and service, (b) normal wear and tear, (c) any Products or parts which have been subject to misuse, abuse, abnormal usage, negligence, accident, improper or insufficient maintenance, storage or repair (other than repair by the Company), (d) damage caused by faulty installation, or installation or use contrary to recommendations or instructions, (f) damage caused by exposure to salt air, (g) damage in transit, (h) natural wear of finish, (i) Products in commercial or nonresidential use, (j) damage caused by fire, flood or other act of God, or (k) Products with altered, defaced or removed serial numbers. This warranty covers only Products sold to consumers in North America. This warranty supersedes all prior warranties and, subject to applicable law, is not transferable from the original consumer purchaser.

No Other Warranties: This Limited Warranty contains the Company’s sole obligation and your sole remedy for defective Products. The foregoing warranties are exclusive and in lieu of any other warranties and conditions, express or implied. **TO THE MAXIMUM EXTENT PERMITTED BY APPLICABLE LAW, THE COMPANY DISCLAIMS AND EXCLUDES ALL OTHER EXPRESS WARRANTIES AND CONDITIONS, AND DISCLAIMS AND EXCLUDES ALL WARRANTIES AND CONDITIONS IMPLIED BY LAW, INCLUDING WITHOUT LIMITATION THOSE OF MERCHANTABILITY AND FITNESS FOR A PARTICULAR PURPOSE.**

To the extent that applicable law prohibits the exclusion of implied warranties or conditions, the duration of any applicable implied warranty or condition is limited to the period specified for the express warranty above. Some jurisdictions (which may include the Province of Quebec or specific US states) do not allow limitations on how long an implied warranty lasts, so the above limitation may not apply to you. Any oral or written description of the Product is for the sole purpose of identifying it and shall not be construed as an express warranty.

Whenever possible, each provision of this Limited Warranty shall be interpreted in such manner as to be effective and valid under applicable law, but if any provision is held to be prohibited or invalid, such provision shall be ineffective only to the extent of such prohibition or invalidity, without invalidating the remainder of such provision or the other remaining provisions of the Limited Warranty.

Remedy: During the applicable limited warranty period, the Company will, at its option, provide replacement parts for, or repair or replace, without charge, any Product or part thereof, to the extent the Company finds it to be covered by and in breach of this limited warranty under normal use and service. The Company will ship the repaired or replaced Product or replacement parts to you at no charge. You are responsible for all costs for removal, reinstallation and shipping, insurance or other freight charges incurred in the shipment of the Product or part to the Company. If you must send the Product or part to the Company, as instructed by the Company, you must properly pack the Product or part—the Company is not responsible for damage in transit. The Company reserves the right to utilize reconditioned, refurbished, repaired or remanufactured Products or parts in the warranty repair or replacement process. Such Products and parts will be comparable in function and performance to an original Product or part and warranted for the remainder of the original warranty period (or such longer period as may be required by applicable law).

Company reserves the right, in its sole discretion, to refund the money actually paid by you for the Product. If the Product or component is no longer available, replacement may be made with a similar product of equal or greater value, at Company’s sole discretion. This is your sole and exclusive remedy for breach of this limited warranty.

Exclusion of Damages: THE COMPANY’S OBLIGATION TO PROVIDE REPLACEMENT PARTS, OR REPAIR OR REPLACE, AT THE COMPANY’S OPTION, SHALL BE YOUR SOLE AND EXCLUSIVE REMEDY UNDER THIS LIMITED WARRANTY AND THE COMPANY’S SOLE AND EXCLUSIVE OBLIGATION. THE COMPANY SHALL NOT BE LIABLE FOR INCIDENTAL, INDIRECT, CONSEQUENTIAL OR SPECIAL DAMAGES ARISING OUT OF OR IN CONNECTION WITH THE PRODUCT, ITS USE OR PERFORMANCE.

Some jurisdictions do not allow the exclusion or limitation of incidental or consequential damages, so the above limitation or exclusion may not apply to you. This warranty gives you specific legal rights, and you may also have other rights, which vary from jurisdiction to jurisdiction. The disclaimers, exclusions, and limitations of liability under this warranty will not apply to the extent prohibited by applicable law.

This warranty covers only replacement or repair of defective Products or parts thereof at the Company’s main facility and does not include the cost of field service travel and living expenses.

Any assistance the Company provides to or procures for you outside the terms, limitations or exclusions of this limited warranty will not constitute a waiver of such terms, limitations or exclusions, nor will such assistance extend or revive the warranty. The Company will not reimburse you for any expenses incurred by you in repairing or replacing any defective Product, except for those incurred with the Company’s prior written permission.

How to Obtain Warranty Service: To qualify for warranty service, you must (a) notify the Company at the address or telephone number stated below within seven (7) days of discovering the covered defect, (b) give the model number and part identification and (c) describe the nature of any defect in the Product or part. At the time of requesting warranty service, you must present evidence of the original purchase date. If you cannot provide a copy of the original written limited warranty, then the terms of the Company’s most current written limited warranty for your particular product will control.

PRODUCT SPECIFICATIONS

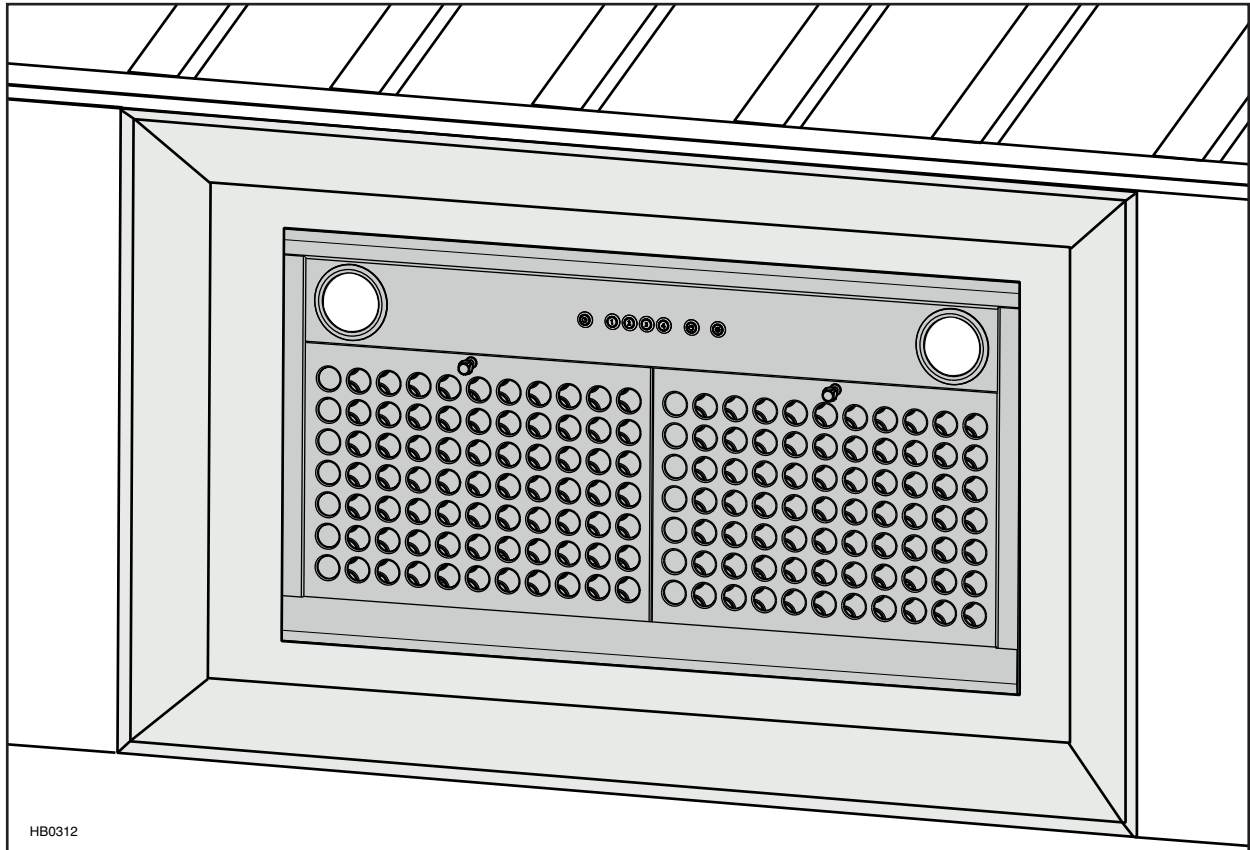
All illustrations and specifications in this catalog are based on the latest product information available at time of production. Broan-NuTone, LLC and BEST® reserves the right to make changes at any time, without notice, in prices, colors, materials, equipment, specifications and models, place of manufacture and to discontinue models or equipment.

Best

Broan-NuTone, LLC- 926 W. State Street, Hartford, WI 53207 1-800-637-1453

Best®, 550 Lemire Blvd., Drummondville, QC, Canada (1-866-737-7770) www.bestrangehoods.com

best®



HB0312

SÉRIE CC6

⚠ CONÇUE UNIQUEMENT POUR LA CUISSON DOMESTIQUE ⚠

LIRE ET CONSERVER CES DIRECTIVES

INSTALLATEUR: LAISSER CE GUIDE AU PROPRIÉTAIRE.
PROPRIÉTAIRE: DIRECTIVES D'UTILISATION ET D'ENTRETIEN
EN PAGES 12 ET 13.

BEST; Hartford, Wisconsin www.BestRangeHoods.com 800 558-1711
BEST; Drummondville, QC, Canada www.BestRangeHoods.ca 866 737-7770

⚠ AVERTISSEMENT

AFIN DE RÉDUIRE LES RISQUES D'INCENDIE, D'ÉLECTROCUTION OU DE BLESSURES CORPORELLES, SUIVEZ LES DIRECTIVES SUIVANTES :

1. N'utilisez cet appareil que de la façon prévue par le fabricant. Si vous avez des questions, contactez le fabricant à l'adresse et au numéro de téléphone indiqués dans la garantie.
2. Avant de réparer ou de nettoyer l'appareil, couper l'alimentation électrique en verrouillant le panneau de distribution afin d'éviter sa remise en marche accidentelle. Si le panneau de distribution ne peut être verrouillé, y fixer un avertissement en évidence, telle qu'une étiquette de couleur vive.
3. Les travaux d'installation et de raccordement électrique doivent être effectués par une personne qualifiée, conformément aux codes et standards de construction, incluant ceux concernant la protection contre les incendies.
4. Une quantité d'air adéquate est requise afin d'assurer une bonne combustion et l'évacuation des gaz par la cheminée dans le cas des appareils alimentés au gaz, afin de prévenir les retours de cheminée. Conformez-vous aux instructions et aux standards de sécurité des fabricants d'équipement de chauffage, tel que publiés par la National Fire Protection Association (NFPA), et l'American Society for Heating, Refrigeration and Air Conditioning Engineers (ASHRAE), ainsi que les responsables des codes locaux.
5. Lorsque vous coupez ou percez un mur ou un plafond, prenez garde de ne pas endommager les fils électriques ou autre installation qui pourraient y être dissimulés.
6. L'évacuation des ventilateurs avec conduits doit toujours se faire à l'extérieur.
7. Afin de réduire le risque d'incendie ou d'électrocution, ne pas utiliser cet appareil avec une commande de vitesse à semi-conducteur additionnelle.
8. Afin de réduire le risque d'incendie, n'utilisez que des conduits en métal.
9. Cet appareil doit être relié à une mise à la terre.
10. Lorsqu'une réglementation est en vigueur localement et qu'elle comporte des exigences d'installation et/ou de certification plus restrictives, lesdites exigences prévalent sur celles de ce document et l'installateur entend s'y conformer à ses frais.

AFIN DE RÉDUIRE LES RISQUES DE FEU DE CUISINIÈRE :

- a) Ne jamais laisser les appareils de cuisson sans surveillance lorsqu'ils sont réglés à feu vif. Les débordements engendrent de la fumée et des déversements graisseux pouvant s'enflammer. Chauffez l'huile lentement, à feu doux ou moyen.
- b) Toujours mettre la hotte en marche lorsque vous cuisinez à feu vif ou que vous cuisinez des mets flambés (par exemple : crêpes Suzette, cerises jubilé, steaks au poivre flambés).
- c) Nettoyez régulièrement la (les) roue(s) du ventilateur. Ne laissez pas la graisse s'accumuler sur le ventilateur, les filtres ou les conduits d'évacuation.
- d) Utilisez le bon format de casserole. Servez-vous toujours de casseroles et d'ustensiles appropriés à la dimension de la surface chauffante.

⚠ AVERTISSEMENT

AFIN D'ÉVITER TOUT RISQUE DE BLESSURES LORS D'UN FEU DE CUISINIÈRE, SUIVEZ CES DIRECTIVES* :

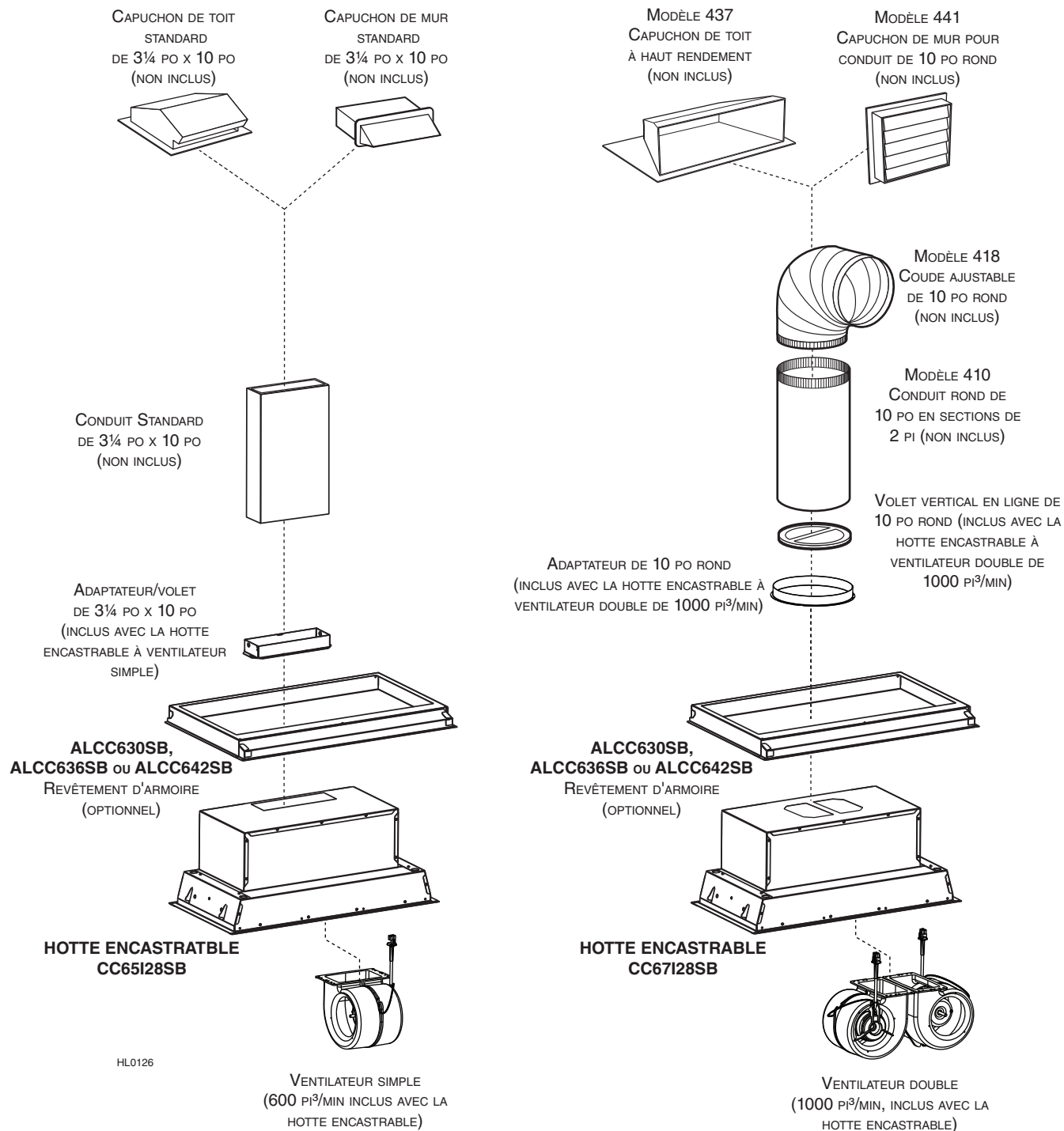
1. Éteignez les flammes avec un couvercle hermétique, une tôle à biscuits ou un plateau métallique et ensuite, éteindre le brûleur. **PRENEZ SOIN D'ÉVITER LES BRÛLURES. SI LES FLAMMES NE S'ÉTEignent PAS IMMÉDIATEMENT, ÉVACUEZ LES LIEUX ET APPELEZ LES POMPIERS.**
2. **NE PRENEZ JAMAIS UNE CASSEROLE EN FLAMMES DANS VOS MAINS – Vous pourriez subir des brûlures.**
3. **N'UTILISEZ PAS D'EAU**, incluant linge à vaisselle ou serviette mouillés – ceci pourrait occasionner une violente explosion.
4. N'utilisez un extincteur **QUE DANS LE CAS OÙ :**
 - A. Vous savez qu'il s'agit d'un extincteur de classe ABC et que vous en connaissez le fonctionnement.
 - B. Le feu est petit et limité à l'endroit où il a débuté.
 - C. Les pompiers ont été avisés.
 - D. Vous pouvez combattre l'incendie en ayant accès à une sortie de secours.

*Tirées du *Kitchen Fire Safety Tips* publié par la NFPA.

ATTENTION

1. Pour une utilisation à l'intérieur seulement.
2. Pour usage domestique seulement. Ne pas utiliser pour évacuer des vapeurs ou des matières dangereuses ou explosives.
3. Afin d'éviter tout dommage au moteur et de débalancer ou de rendre bruyante la roue du moteur, garder votre appareil à l'abri des poussières de placoplâtre et de construction/rénovation, etc.
4. Le moteur de votre hotte encastrable possède une protection thermique qui arrêtera automatiquement le fonctionnement du moteur s'il surchauffe. Le moteur redémarrera automatiquement une fois refroidi. Si le moteur continue de s'arrêter et de redémarrer, faites-le vérifier.
5. La distance minimale entre le bas de votre hotte encastrable et le plan de cuisson ne doit pas être inférieure à 24 po. Un maximum de 30 po au-dessus du plan de cuisson est fortement recommandé pour une meilleure évacuation des odeurs de cuisine. **Pour une cuisinière au gaz**, le bas de votre hotte encastrable **NE DOIT PAS ÊTRE INFÉRIEUR** à 30 po au-dessus de la surface de cuisson.
6. Deux installateurs sont recommandés lors de l'installation en raison de la grande dimension et le poids de cet appareil.
7. Afin de réduire les risques d'incendie, assurez-vous d'évacuer l'air à l'extérieur – Ne pas évacuer l'air dans des espaces restreints comme l'intérieur des murs ou plafond ou dans le grenier, faux plafond ou garage.
8. En raison de la grande capacité d'évacuation de cet appareil, il est recommandé d'ouvrir une fenêtre dans ou près de la cuisine afin de remplacer l'air évacué.
9. Afin de réduire les risques d'incendie et d'électrocution, les modèles Best de la série CC6 doivent être installés uniquement avec leur propre ventilateur intérieur. Aucun autre ventilateur ne doit être utilisé.
10. Veuillez consulter l'autocollant apposé à l'intérieur du produit pour plus d'information ou autres exigences.

- SÉRIE CC6 SYSTÈME DE HOTTE ENCASTRABLE-



1. PRÉPARER L'INSTALLATION

⚠ AVERTISSEMENT

Il est recommandé de porter des lunettes et des gants de sécurité lors de l'installation, de l'entretien ou de la réparation de cet appareil.

NOTE: Avant de commencer l'installation, vérifier le contenu de la boîte. Si des pièces sont manquantes ou endommagées, contacter le fabricant.

S'assurer que les articles suivants sont inclus :

- Hotte encastrable
- Accessoires:
 - 2 filtres
 - 2 boutons de filtre avec vis, collés à l'intérieur de la hotte
 - 1 adaptateur/volet de 3¼ po x 10 po (inclus avec la hotte encastrable à ventilateur simple de 600 pi³/min)
 - 1 volet vertical en ligne de 10 po rond (inclus avec la hotte encastrable à ventilateur double de 1000 pi³/min)
 - 1 adaptateur de 10 po rond (inclus avec la hotte encastrable à ventilateur double de 1000 pi³/min)
 - Sac de pièces incluant : 1 serre-fils, 2 capuchons de connexion, 4 vis n° 8 x 3/8 po, 9 vis plaquées chrome n° 8 x 1/2 po, 10 vis n° 8-32 x 1/4 po. Jeter la quincaillerie excédentaire s'il y a lieu.

Pièces vendues séparément :

- Revêtement d'armoire modèle ALCC630SB, ALCC636SB ou ALCC642SB (optionnel)
- Conduits, coudes, capuchons de mur ou de toit. Consulter la page 3 pour la liste complète des accessoires de ventilation et les numéros de modèle.

NOTE : Lors de l'installation, protéger le plan de cuisson et le comptoir de cuisine.

2. INSTALLER LES CONDUITS ET LE CÂBLAGE ÉLECTRIQUE

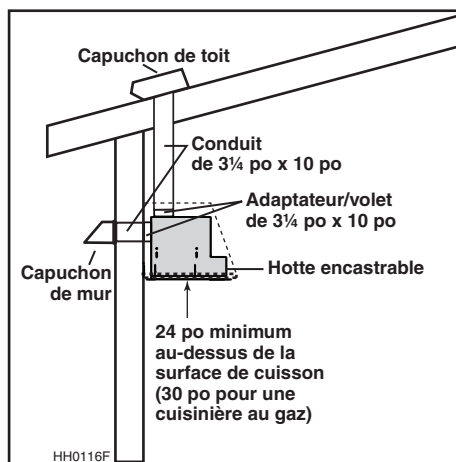
Déterminer à quel endroit et comment les conduits seront installés. Un accès au-dessus de la hotte est préférable pour le raccordement des conduits.

Installer les conduits, les coudes et un capuchon de mur ou de toit de format approprié selon le type d'installation et de hotte encastrable. Utiliser des conduits de 3¼ po x 10 po pour installer la hotte encastrable à ventilateur simple CC65I28SB. Pour la hotte encastrable à ventilateur double de modèle CC67I28SB, se servir de conduits ronds de 10 po. Utiliser du ruban adhésif de métal de 2 po pour assurer l'étanchéité des joints.

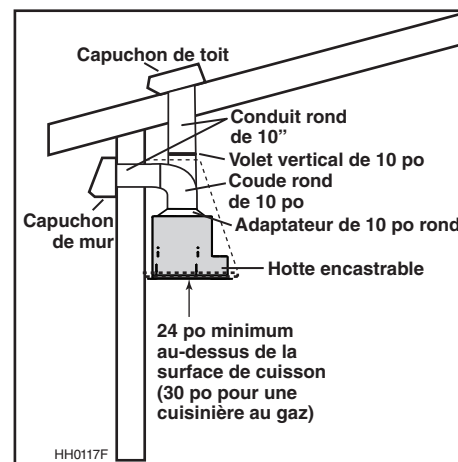
Il est recommandé d'installer la hotte à une distance minimale de 24 po au-dessus d'une cuisinière électrique et de 30 po au-dessus d'une cuisinière au gaz.

Une distance de plus de 30 po demeure à la discrétion de l'installateur et de l'utilisateur.

Acheminer le câble d'alimentation électrique à 3 conducteurs jusqu'à l'emplacement de la hotte. Le câble devrait excéder **d'au moins 4 pi** le dessous de l'armoire.



MODÈLE CC65I28SB
(VENTILATEUR SIMPLE) INSTALLATION TYPE



MODÈLE CC67I28SB
(VENTILATEUR DOUBLE) INSTALLATION TYPE

NOTE : Bien qu'une installation à évacuation horizontale soit possible avec le modèle de hotte encastrable CC65I28SB, ce type d'installation ne doit être réalisé que dans certains cas seulement, puisqu'il requiert un savoir-faire et des habiletés techniques particulières de la part des installateurs.

3. PRÉPARER L'ARMOIRE

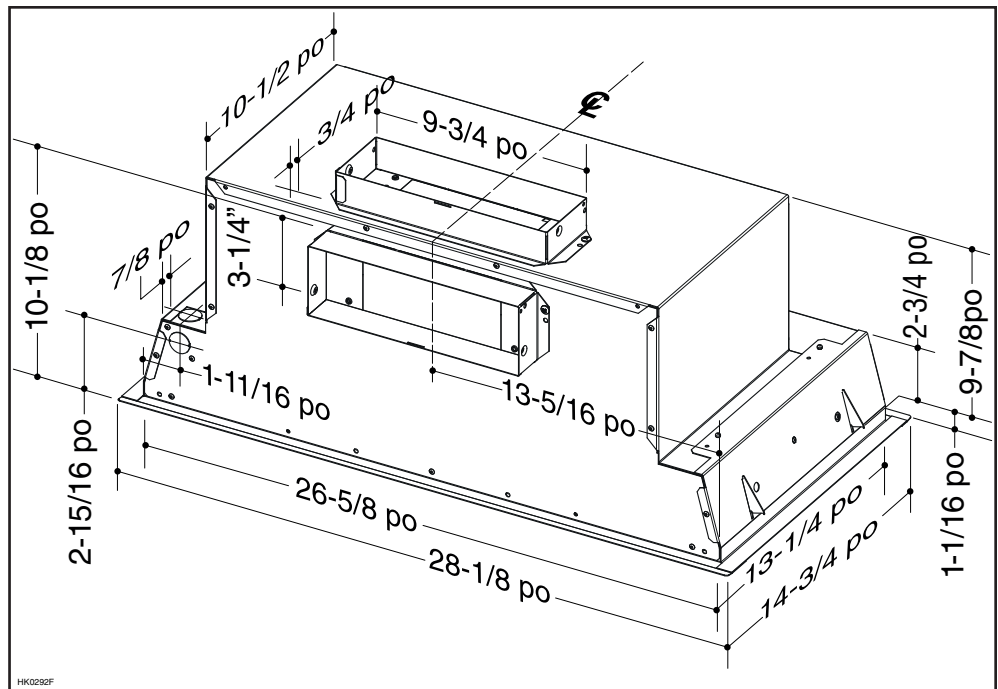
⚠ AVERTISSEMENT

Toujours suivre les codes et standards en vigueur lors de la construction de l'armoire pour hotte. La charpente doit être fixée solidement aux montants ou autre structure derrière la cloison. S'assurer qu'elle puisse supporter son propre poids en plus de celui de la hotte encastrable. Ne pas suivre cette directive peut entraîner des blessures corporelles ou des dommages à la surface de cuisson ou au comptoir de cuisine.

Construire l'armoire en fonction de la forme et du poids total de la hotte encastrable de la série CC6. L'épaisseur minimale recommandée pour la base de l'armoire est de 5/8 po. Si l'installation d'un revêtement d'armoire optionnel est prévue, nous recommandons que les côtés et l'avant de l'armoire aient 3/4 po d'épaisseur. Si le revêtement d'armoire optionnel n'est pas installé, l'épaisseur des côtés et de l'avant de l'armoire est à la discrétion de l'installateur. Consulter le tableau et les illustrations pour plus de détails.

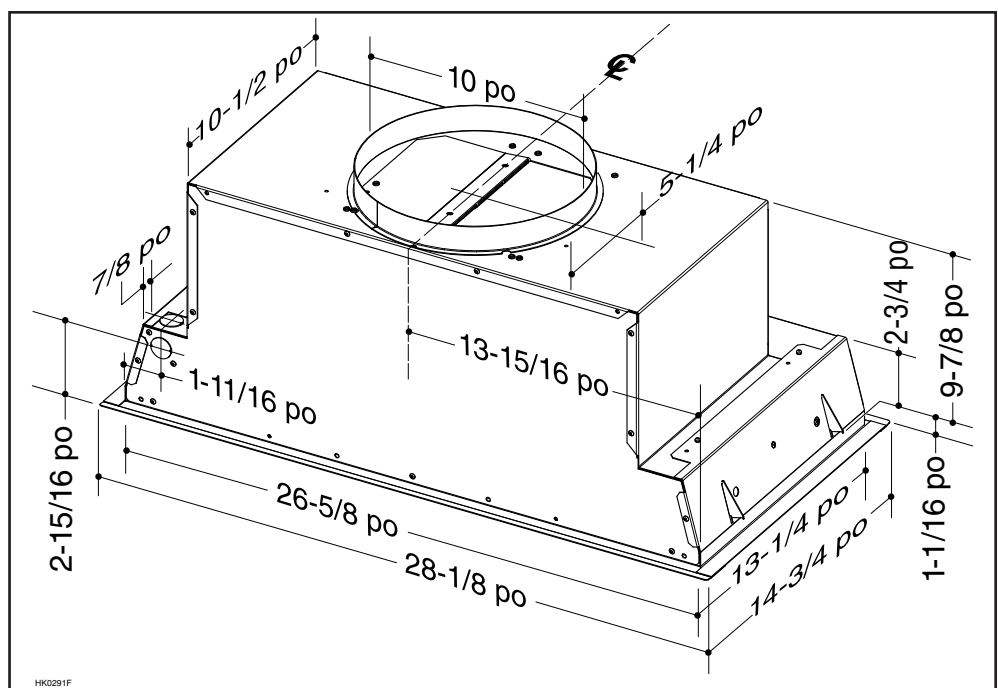
MODÈLE DE HOTTE ENCASTRABLE	POIDS TOTAL
CC65I28SB	33 LB
CC67I28SB	45 LB

CC65I28SB HOTTE ENCASTRABLE À VENTILATEUR SIMPLE



CC67I28SB HOTTE ENCASTRABLE À VENTILATEUR DOUBLE

NOTE: Le modèle à ventilateur double possède les mêmes dimensions que celui à ventilateur simple, sauf qu'il ne possède pas d'ouverture pour l'évacuation latérale



4. INSTALLER LE REVÊTEMENT D'ARMOIRE (OPTIONNEL)

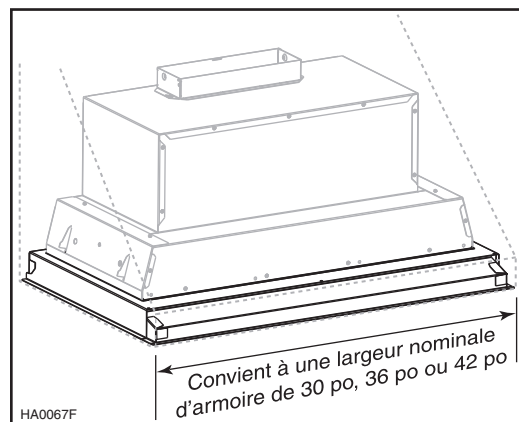
Les revêtements d'armoire sont spécialement conçus pour protéger l'extérieur de la base de l'armoire. Consulter le tableau ci-dessous afin de trouver le modèle de revêtement correspondant à la largeur nominale de l'armoire.

Visiter le site www.BestRangeHoods.com, www.BestRangeHoods.ca, ou contacter le service technique (voir le numéro de téléphone en page couverture) afin de connaître leurs caractéristiques, incluant la profondeur de chacun des modèles.

Pour l'installation, voir les directives incluses avec le revêtement d'armoire.

NOTE : Le revêtement d'armoire s'installe avant la hotte encastrable.

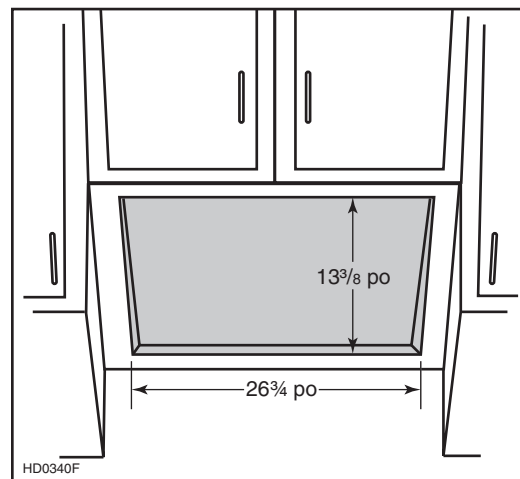
MODÈLE DE REVÊTEMENT	LARGEUR NOMINALE DE L'ARMOIRE
ALCC630SB	30 po
ALCC636SB	36 po
ALCC642SB	42 po



5. DÉCOUPER L'OUVERTURE DANS LA BASE DE L'ARMOIRE

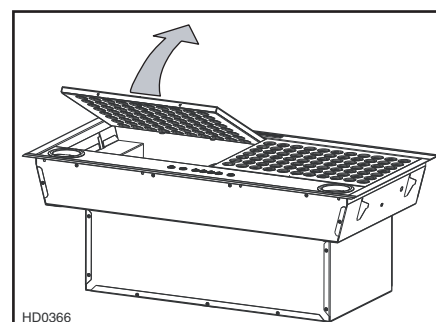
Si ce n'est déjà fait, découper l'ouverture dans la base de l'armoire, aux dimensions indiquées ci-contre.

NOTE : Tenir compte que l'appareil possède un rebord extérieur de 3/4 po.



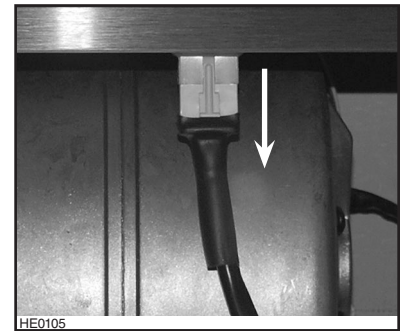
6. RETIRER LES FILTRES

Poser la hotte encastrable à plat sur une table. Retirer les rubans adhésifs des filtres. Soulever les filtres en les poussant vers l'arrière et en les dégageant de la hotte encastrable, puis les mettre de côté.



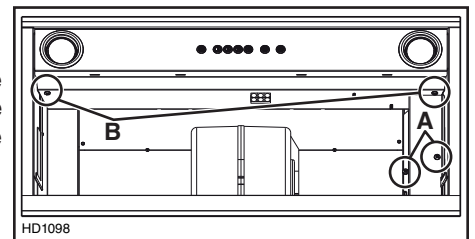
7. DÉBRANCHER LE(S) VENTILATEUR(S)

Débrancher le(s) ventilateur(s) du panneau avant (un ou deux, selon le modèle).



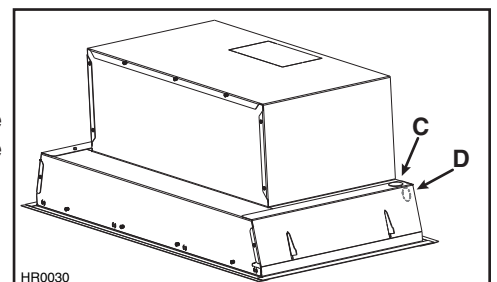
8. RETIRER LE COUVERCLE DU COMPARTIMENT ÉLECTRIQUE ET LE PANNEAU AVANT

À l'aide d'un tournevis Robertson ou Phillips n° 2, dévisser les deux vis (A) retenant le couvercle du compartiment électrique. Le retirer de la hotte encastrable et le mettre de côté avec ses vis. Dévisser ensuite les deux vis latérales (B) retenant le panneau avant à la hotte encastrable. Retirer soigneusement le panneau avant et le mettre de côté avec ses vis.



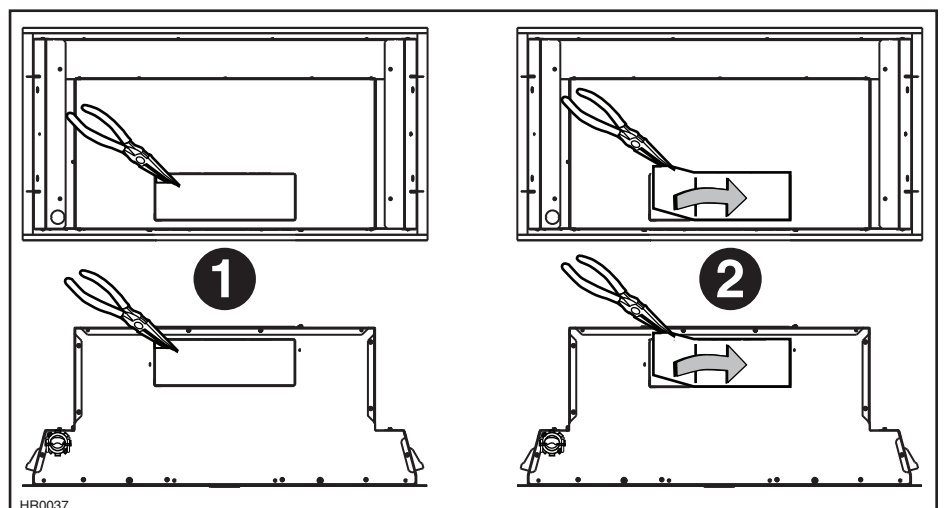
9. DÉFONCER L'OUVERTURE PRÉAMORCÉE POUR L'ALIMENTATION ÉLECTRIQUE

Par l'intérieur de la hotte encastrable, défoncer l'ouverture préamorcée située sur le dessus (C), à droite OU à l'arrière (D), à droite. Installer le serre-fils (inclus dans le sac de pièces).



10. RETIRER L'OUVERTURE PRÉAMORCÉE (VENTILATEUR SIMPLE SEULEMENT)

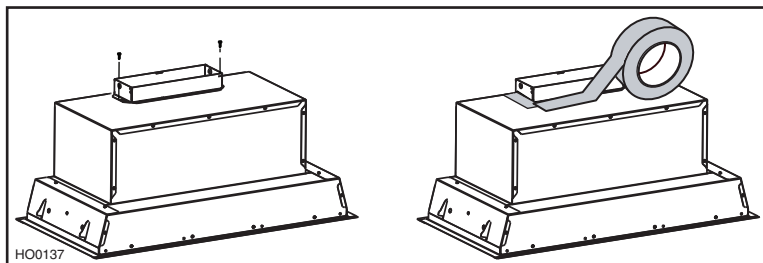
Retirer l'ouverture préamorcée sur le dessus (installation à évacuation verticale) ou à l'arrière (installation à évacuation horizontale) de la hotte encastrable.



11. INSTALLER L'ADAPTATEUR/VOLET (VENTILATEUR SIMPLE SEULEMENT)

INSTALLATION À ÉVACUATION VERTICALE

À l'aide de 2 vis n° 8 x 3/8 po (incluses dans le sac de pièces), assembler l'adaptateur/volet sur le dessus de la hotte encastrable. Enlever le ruban adhésif sur le volet. Sceller l'adaptateur à la hotte encastrable à l'aide de ruban adhésif de métal.

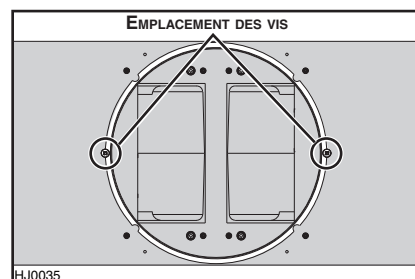


INSTALLATION À ÉVACUATION HORIZONTALE

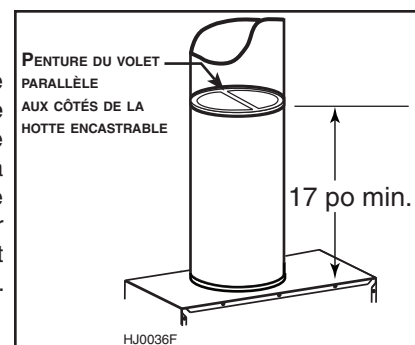
L'adaptateur/volet sera installé à l'arrière de la hotte encastrable une fois que celle-ci sera installée dans son armoire. Voir l'étape 15.

12. INSTALLER L'ADAPTATEUR ET LE VOLET (VENTILATEUR DOUBLE SEULEMENT)

À l'aide de 2 vis n° 8 x 3/8 po provenant du sac de pièces, assembler l'adaptateur sur le dessus de la hotte encastrable. Sceller tous les joints avec du ruban adhésif de métal afin d'éliminer les fuites d'air.



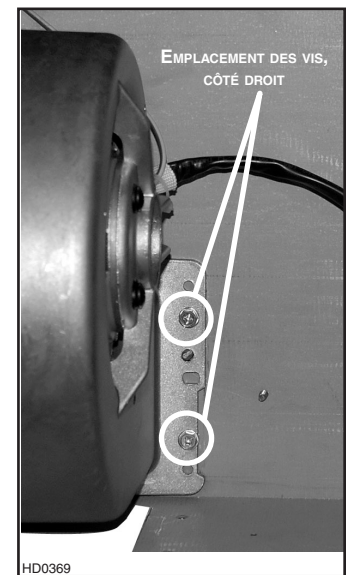
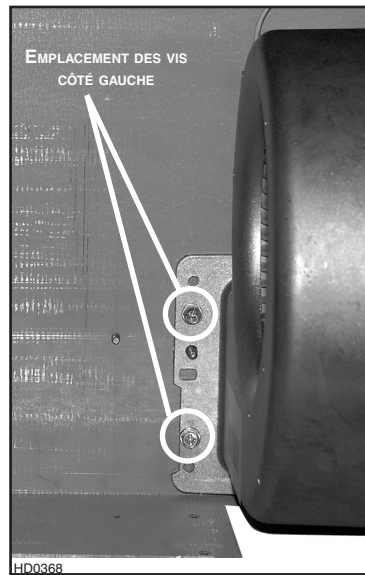
Installer le volet de 10 po à l'intérieur du conduit VERTICAL lequel sera rattaché à la hotte encastrable. **Ne pas l'installer dans un conduit horizontal car l'ouverture et la fermeture ne pourraient se faire adéquatement.** Retirer le ruban adhésif s'il y a lieu. Pour optimiser le débit d'air et réduire le bruit, placer le volet à au moins 17 po du dessus de la hotte encastrable à ventilateur double, ou le plus éloigné possible selon la longueur du conduit. De plus, s'assurer que la penture du volet est parallèle aux côtés de la hotte encastrable (voir l'illustration ci-contre). Fixer le volet au conduit à l'aide de 3 vis à métaux n° 8 (non incluses). S'assurer que le volet s'ouvre et se ferme librement. Sceller les joints avec du ruban adhésif de métal pour éliminer les fuites d'air.



13. RETIRER LE VENTILATEUR (VENTILATEUR SIMPLE, ÉVACUATION HORIZONTALE SEULEMENT)

Afin de faciliter l'alignement de la hotte encastrable avec le conduit horizontal, désassembler le ventilateur de la hotte encastrable avant d'installer celle-ci dans l'armoire.

À l'aide d'une douille 5/16 po, ou d'un tournevis Phillips ou Robertson n° 2, enlever toutes les vis retenant le ventilateur au dessus intérieur de la hotte encastrable. Mettre de côté le ventilateur et ses vis.

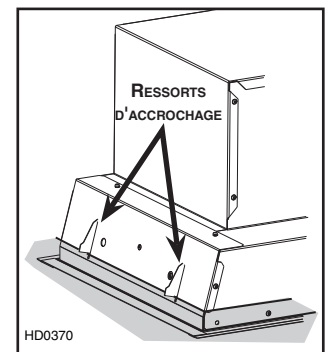


14. INSTALLER LA HOTTE ENCASTRABLE

ATTENTION

Prendre soin de ne pas plier les conduits ou coincer le câble d'alimentation en installant la hotte encastrable.

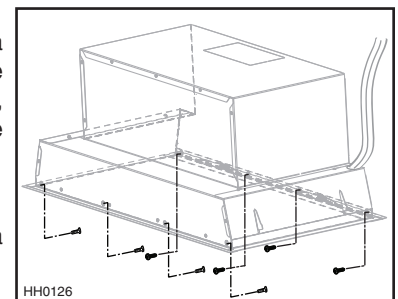
Soulever la hotte encastrable dans son armoire jusqu'à ce que la base des ressorts d'accrochage (2 par côté) s'appuie contre le dessus de la base de l'armoire (zone grise dans l'illustration ci-contre).



Par l'intérieur de la hotte encastrable, à l'aide des vis n° 8-10 x 1/2 po, fixer la hotte encastrable à la base de l'armoire. Pour ce faire, soulever l'avant jusqu'à ce que son rebord s'appuie sur la face externe de la base de l'armoire et visser en place à l'aide de deux vis. Faire de même pour l'arrière, puis finaliser l'installation en vissant deux autres vis à l'avant et à l'arrière. Voir l'illustration ci-contre pour l'emplacement des vis.

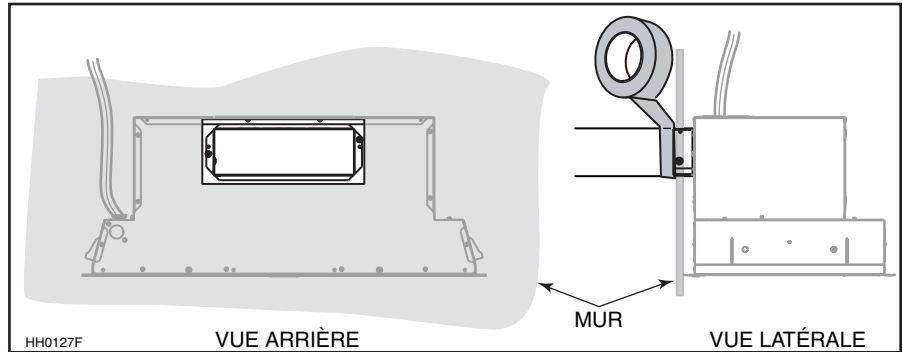
INSTALLATION À ÉVACUATION VERTICALE SEULEMENT

S'assurer que l'adaptateur/volet entre dans le conduit et que son volet ouvre librement. Dans la mesure du possible, sceller les joints avec du ruban adhésif de métal.



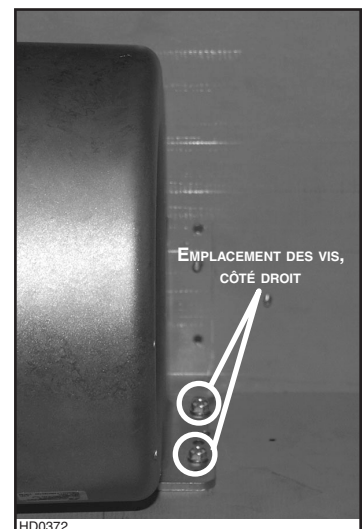
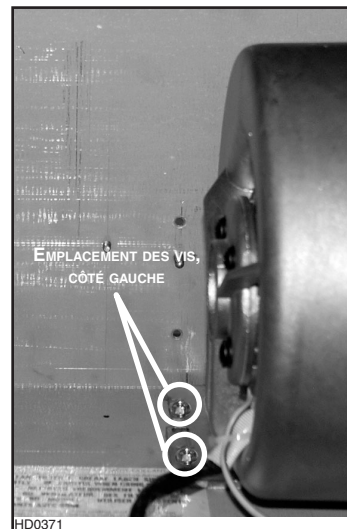
15. INSTALLER L'ADAPTATEUR/VOLET À L'ARRIÈRE DE LA HOTTE ENCASTRABLE (VENTILATEUR SIMPLE, ÉVACUATION HORIZONTALE SEULEMENT)

Par l'extérieur du mur, à l'aide de deux vis n° 8 x 3/8 po (incluses dans le sac de pièces), fixer l'adaptateur/volet à l'arrière de la hotte encastrable. Enlever le ruban adhésif sur le volet. Raccorder le conduit à l'adaptateur/volet et sceller le joint à l'aide de ruban adhésif de métal.



16. RÉINSTALLER LE VENTILATEUR (VENTILATEUR SIMPLE, ÉVACUATION HORIZONTALE SEULEMENT)

La hotte encastrable à ventilateur simple est configurée en usine pour une installation à évacuation verticale. Pour une installation à évacuation horizontale, retourner le ventilateur. À l'aide d'une douille 5/16 po, ou d'un tournevis Phillips ou Robertson n° 2 et des vis retirées précédemment à l'étape 13, assembler le ventilateur au dos interne de la hotte encastrable.



17. BRANCHEMENT ÉLECTRIQUE (TOUS LES MODÈLES)

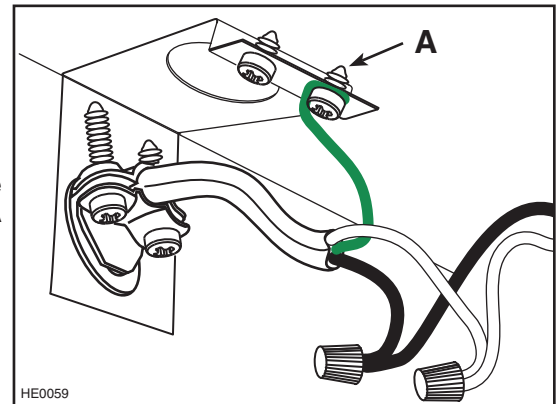
⚠ AVERTISSEMENT

Risque d'électrocution. Le raccordement électrique doit être effectué par du personnel qualifié conformément aux codes et standards. Avant d'effectuer le branchement, coupez l'alimentation électrique au panneau de distribution et verrouillez-le pour éviter une mise en marche accidentelle.

Insérer le câble d'alimentation dans la hotte à travers le serre-fils installé précédemment à l'étape 9. Serrer le serre-fils pour maintenir en place le câble d'alimentation.

Connecter les fils à l'aide des capuchons de connexion inclus.

Connecter le fil NOIR au NOIR, le BLANC au BLANC et le VERT ou le fil dénudé à la vis de mise à la terre (A). NE PAS OUBLIER DE CONNECTER LA MISE À LA TERRE.

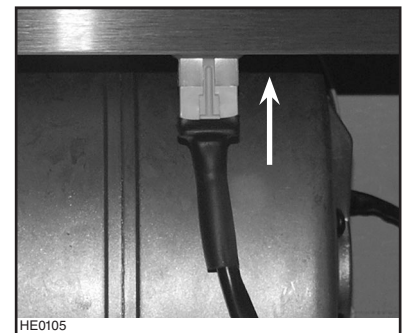
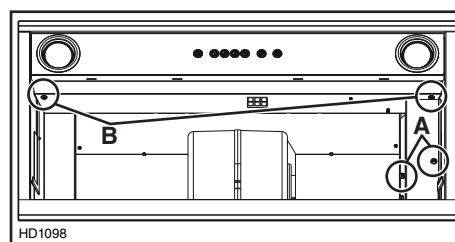
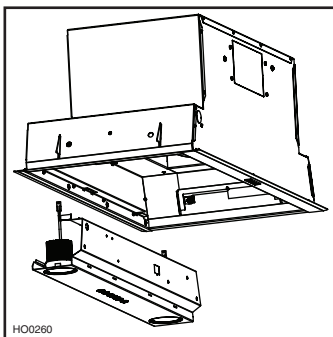


18. RÉINSTALLER LE PANNEAU AVANT ET LE COUVERCLE DU COMPARTIMENT ÉLECTRIQUE

ATTENTION

Prendre soin de ne pas coincer les fils lors de la remise en place du panneau avant et du couvercle du compartiment électrique.

Réassembler soigneusement le panneau avant à la hotte encastrable en alignant les pattes dans les fentes correspondantes. À l'aide d'un tournevis Robertson ou Phillips n° 2 et des deux vis (A) précédemment retirées à l'étape 8, fixer le panneau avant à la hotte encastrable. Réinstaller le couvercle du compartiment électrique à l'aide des deux vis (B) précédemment retirées à l'étape 8. Brancher le(s) ventilateur(s) (un ou deux, selon le modèle) au panneau avant.

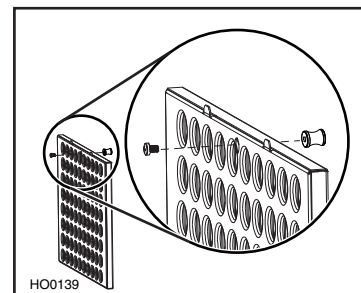


19. REMETTRE LES FILTRES EN PLACE

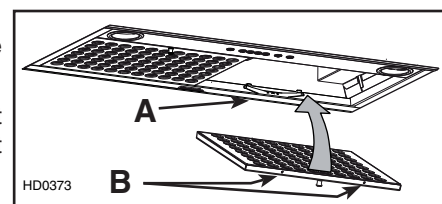
ATTENTION

Retirer la pellicule protectrice de plastique des filtres avant de les installer.

1. À l'aide d'un tournevis Phillips n° 2, assembler chaque bouton à son filtre.
NOTE : La vis DOIT ÊTRE sur le côté des languettes du filtre. Voir l'illustration ci-contre.



2. Appuyer le rebord arrière des filtres sur les ressorts de filtre (A) à l'intérieur de la hotte encastrable.
3. À l'aide du bouton, incliner chaque filtre vers le haut jusqu'à ce que les languettes (B) soient bien engagées dans le rebord avant de la hotte encastrable. S'assurer que les filtres soient bien en place après l'installation.



20. ÉCLAIRAGE À DEL

L'éclairage de cette hotte est produit par deux modules à DEL (inclus).

⚠ AVERTISSEMENT

Ne pas toucher aux modules à DEL durant ou peu après leur utilisation. Peuvent causer des brûlures. Ne peuvent être remplacés par aucun autre type d'ampoule ou de module à DEL.

21. ENTRETIEN

Filtres

Les filtres doivent être nettoyés fréquemment. Utiliser une solution d'eau chaude et de détergent. Nettoyer les filtres souvent si vos habitudes de cuisson génèrent beaucoup de graisse, comme la friture ou les aliments sautés au wok. Retirer les filtres en les poussant vers l'arrière de la hotte encastrable et en les abaissant. Les filtres sont lavables au lave-vaisselle. Laisser les filtres sécher complètement avant de les réinstaller dans la hotte encastrable.

Nettoyer les filtres fabriqués entièrement de métal au lave-vaisselle à l'aide d'un détergent sans phosphate. L'utilisation d'un détergent avec phosphate ainsi que les conditions locales de l'eau peuvent entraîner une décoloration du filtre, sans toutefois altérer sa performance. Cette décoloration n'est pas couverte par la garantie.

Nettoyage de la hotte encastrable

Acier inoxydable :

À faire :

- Laver régulièrement les surfaces à l'aide d'un chiffon ou linge propre imbibé d'eau tiède et de savon doux ou détergent liquide à vaisselle.
- Toujours nettoyer dans le sens du polissage.
- Toujours bien rincer avec de l'eau claire (2 à 3 fois) et essuyer complètement.
- Un nettoyant domestique conçu spécialement pour l'acier inoxydable peut aussi être utilisé.

À éviter :

- Utiliser de la laine d'acier ou d'acier inoxydable ou tout autre grattoir pour enlever la saleté tenace.
- Utiliser une poudre nettoyante abrasive ou rugueuse.
- Laisser la saleté s'accumuler.
- Laisser la poussière de plâtre ou tout autre résidu de construction atteindre la hotte encastrable. Couvrir la hotte encastrable pour la durée des travaux afin de s'assurer qu'aucune poussière ne l'atteint.

À éviter lors du choix d'un détergent :

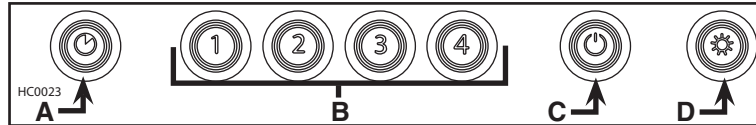
- Tous produits nettoyants contenant des **agents de blanchiment**; ils attaqueront l'acier inoxydable.
- Tous produits contenant du **chlorure**, du **fluorure**, de l'**iode** ou du **bromure**; ils détérioreront rapidement les surfaces.
- Tous produits combustibles utilisés pour le nettoyage : **acétone**, **alcool**, **éther**, **benzène**, etc.; ils sont grandement explosifs et ne devraient jamais être utilisés près d'une cuisinière.

22. FONCTIONNEMENT

⚠ AVERTISSEMENT

Lors de l'utilisation d'une cuisinière au gaz, toujours faire fonctionner le(s) ventilateur(s) de la hotte avant de commencer la cuisson. De plus, le ou les ventilateurs doivent être réglés au moins en troisième vitesse si trois brûleurs ou plus sont en fonction simultanément. La surface de la hotte pourrait devenir très chaude si cet avertissement n'était pas suivi.

Toujours mettre en marche le ventilateur avant de commencer la cuisson afin d'établir une circulation d'air dans la cuisine. Laisser également le ventilateur fonctionner quelques minutes après l'arrêt de la cuisinière afin de nettoyer l'air. Ceci aidera à garder la cuisine plus propre et plus claire.



A. BOUTON D'ARRÊT DIFFÉRÉ :

Lorsque le ventilateur est en marche, appuyer sur ce bouton pour activer la fonction d'arrêt différé. Le bouton correspondant à la vitesse en vigueur clignotera pour indiquer que la fonction est activée. Le ventilateur continuera de fonctionner pendant 5 minutes et s'arrêtera automatiquement. Pour annuler la fonction d'arrêt différé, appuyer une autre fois sur ce bouton.

B. BOUTONS DE MARCHE/ARRÊT/SÉLECTION DE VITESSE :

Appuyer sur le bouton correspondant à la vitesse de ventilateur désirée. Le bouton de la vitesse choisie s'allumera pour indiquer quelle vitesse est activée (de 1 pour la basse vitesse à 4 pour la haute vitesse). Pour arrêter le ventilateur, appuyer une fois de plus sur le bouton correspondant à la vitesse actuelle.

NOTE : Appuyer sur le bouton 1 lorsque le ventilateur est arrêté résulte en un départ en haute vitesse pour un très court laps de temps suivi d'un retour à la basse vitesse.

C. BOUTON D'ARRÊT PRINCIPAL/ENTRETIEN DES FILTRES/HEAT SENTRY^{MC} (INTERRUPTEUR DE TRIPLE FONCTION) :

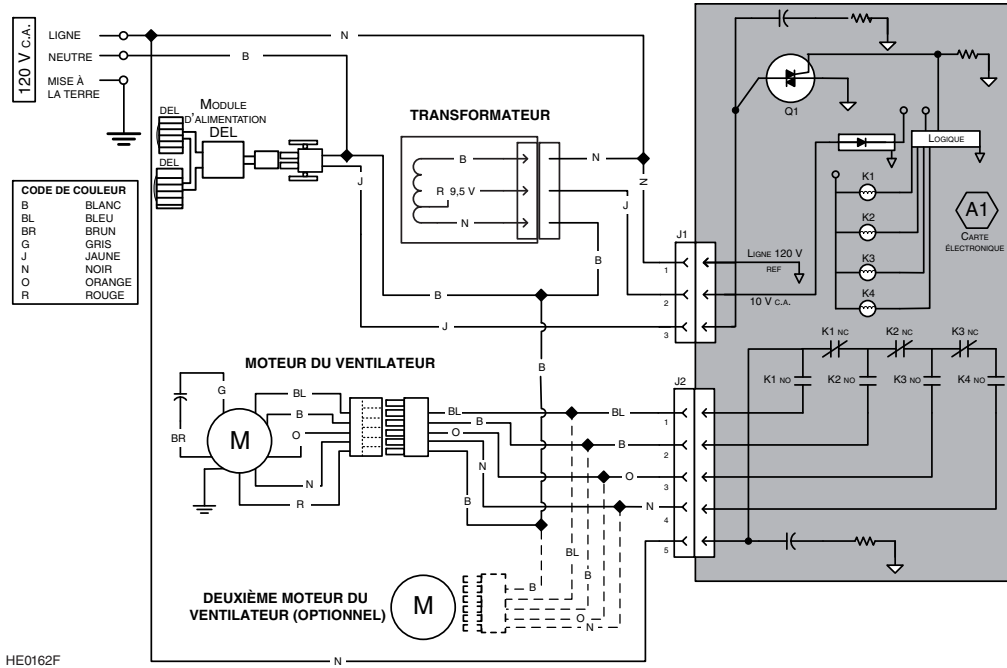
- i. Pour désactiver simultanément le(s) ventilateur(s) et l'éclairage, appuyer une fois sur ce bouton.
- ii. Après 25 heures de fonctionnement, le bouton d'entretien des filtres s'allumera. Cela indique que les filtres et le(s) ventilateur(s) doivent être nettoyés afin de maintenir leur haut niveau d'efficacité. Ce bouton restera allumé jusqu'à sa remise à zéro, qui s'effectue en appuyant sur celui-ci pendant 3 secondes.
- iii. Le bouton s'allume aussi pour indiquer la fonction Heat Sentry.

HEAT SENTRY : La hotte est munie d'un dispositif de protection qui s'active lorsqu'une chaleur excessive est détectée à l'intérieur de la hotte et que celle-ci est réglée en vitesse 4. Ce dispositif prend le contrôle du ventilateur et désactive la vitesse 4 pour une période de 10 minutes et passe en vitesse 3. Durant l'activation du Heat Sentry, seule la vitesse 3 peut être utilisée; le bouton du Heat Sentry (C) clignotera, tandis que celui de la vitesse 3 s'allumera. Le fonctionnement de la hotte peut également être arrêté.

D. BOUTON D'ÉCLAIRAGE :

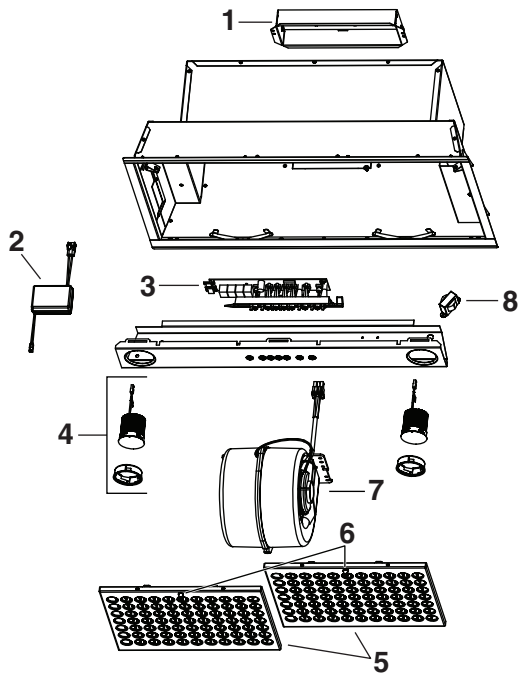
Cet interrupteur offre 2 différents niveaux d'éclairage, selon vos besoins. Appuyer une fois pour la haute intensité, deux fois pour un éclairage de basse intensité. Appuyer une autre fois pour éteindre les lumières sans arrêter le fonctionnement du (des) ventilateur(s).

23. SCHÉMA ÉLECTRIQUE



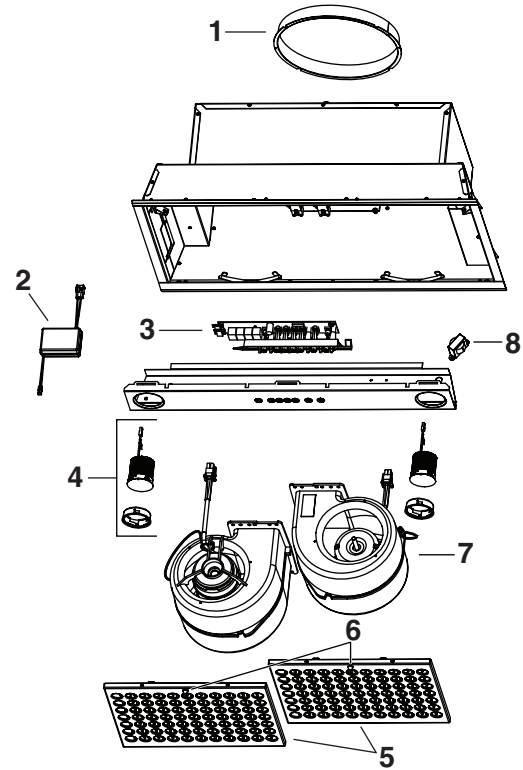
24. PIÈCES DE REMPLACEMENT

CC65I28SB



HL0447

CC67I28SB



N° DE RÉF.	N° DE PIÈCE	DESCRIPTION	Qté (MODÈLE DE HOTTE ENCASTRABLE)	
			CC65I28SB	CC67I28SB
1	SV13296	ADAPTATEUR/VOLET 3¼ PO X 10 PO	1	-
	SV08541	ADAPTATEUR 10 PO ROND	-	1
2	62248	MODULE D'ALIMENTATION DEL ET FAISCEAU DE CONNEXION	1	1
3	SV21244	COMMANDE ÉLECTRONIQUE AVEC BOUTONS CHROMÉS ET DEL BLEUES	1	1
4	62612	MODULE À DEL (1)	2	2
5	SV18428	FILTRES À CHICANE MINCES	2	2
6	SV08967	BOUTONS DE FILTRE (VIS INCLUSES) (JEU DE 2)	1	1
7	SV08582	VENTILATEUR	1	2
8	SV09022	TRANSFORMATEUR	1	1
*	SV05869	LOGO BEST	1	1
*	SV23862	GUIDE D'INSTALLATION	1	1
*	SV08545	SAC DE PIÈCES : 2 CAPUCHONS DE CONNEXION, 4 VIS N° 8 x 3/8 PO, 9 VIS PLAQUÉES CHROME N° 8-10 x 1/2 PO, 1 SERRE-FILS, 10 VIS À MÉTAUX N° 8-32 x 1/4 PO	1	1

*Non illustré

PIÈCES DE REMPLACEMENT ET SERVICE

Pour assurer le bon fonctionnement de votre appareil, vous devez toujours utiliser des pièces d'origine provenant de Broan-NuTone. Les pièces d'origine de Broan-NuTone sont spécialement conçues pour satisfaire toutes les normes de certification de sécurité applicables. Leur remplacement par des pièces ne provenant pas de Broan-NuTone pourrait ne pas assurer la sécurité de l'appareil, entraîner une réduction sévère des performances ainsi qu'un risque de défaillance prématurée. Broan-NuTone recommande également de toujours vous référer à une entreprise de services compétente et reconnue par Broan-NuTone pour vos pièces de remplacement et appels de service.

25. GARANTIE

GARANTIE LIMITÉE DE 5 ANS SUR LES PRODUITS BEST^{MD}

Période de garantie et exclusions : Broan-NuTone LLC (l'« entreprise ») garantit au consommateur qui achète son produit (« vous ») que le produit (le « produit ») restera exempt de défauts importants dans ses composants ou sa fabrication pendant une période de cinq (5) ans à compter de la date de l'achat initial (ou pour une période plus longue si la loi en vigueur l'exige) ou une période de deux (2) ans à compter de la date de la prestation d'un service sur le produit.

La garantie limitée des pièces de rechange fournies par l'entreprise et de tout produit réparé ou remplacé en vertu de cette garantie est valide pour la durée non écoulée de la période de garantie initiale (ou d'une période plus longue si la loi en vigueur l'exige).

LA PRÉSENTE GARANTIE NE S'APPLIQUE PAS AUX DÉMARREURS DE LAMPE FLUORESCENTE, NI AUX TUBES, AMPOULES, FUSIBLES, FILTRES, CONDUITS, CAPUCHONS DE TOIT, CAPUCHONS MURAUX ET AUX AUTRES ACCESSOIRES POUR CONDUITS. Cette garantie exclut : a) l'entretien normal, b) l'usure normale, c) les produits et les pièces ayant fait l'objet d'une utilisation mauvaise, abusive ou anormale, d'une négligence, d'un accident, d'un entretien ou d'un entreposage, d'une réparation ou d'un entretien inadéquats ou insuffisants (sauf s'il s'agit d'une réparation effectuée par l'entreprise), d) les dommages attribuables à une installation incorrecte ou à une installation ou utilisation contraires aux recommandations ou aux instructions, e) les dommages attribuables au contact de l'air salin, f) les dommages survenus durant le transport, g) l'usure normale de la finition, h) les produits d'utilisation commerciale ou non résidentielle, i) les dommages causés par le feu, une inondation ou une autre catastrophe naturelle, ou j) les produits dont le numéro de série a été altéré ou effacé. Cette garantie ne s'applique qu'aux produits vendus aux consommateurs en Amérique du Nord. La présente garantie remplace les garanties précédentes et, sous réserve de la loi applicable, n'est pas transférable par l'acheteur initial.

Aucune autre garantie : La présente garantie limitée énonce l'unique obligation de l'entreprise et votre seul recours pour les produits défectueux. Les garanties qui précèdent sont exclusives et l'emportent sur les autres garanties et modalités, expresse ou implicites. **DANS TOUTE LA MESURE PERMISE PAR LA LOI EN VIGUEUR, L'ENTREPRISE SE DÉGAGE DES AUTRES GARANTIES ET MODALITÉS EXPRESSES ET DES GARANTIES ET MODALITÉS IMPLICITES EN VERTU DE LA LOI, Y COMPRIS, SANS S'Y LIMITER, LES GARANTIES DE QUALITÉ MARCHANDE ET D'ADAPTATION À UN USAGE PARTICULIER.** Dans la mesure où la loi applicable interdit l'exclusion des garanties ou modalités implicites, la durée d'une garantie ou modalité implicite applicable est restreinte à la période indiquée pour la garantie expresse ci-dessus. Certains territoires de compétence (ce qui peut inclure la province de Québec ou certains États des États-Unis) interdisent les limites à la durée des garanties implicites; la restriction susmentionnée pourrait donc ne pas s'appliquer à vous. Les descriptions orales ou écrites du produit ont pour seul objet d'indiquer les produits et ne sauraient être interprétées dans le sens d'une garantie expresse. Autant que possible, chaque disposition de cette garantie limitée est interprétée de sorte qu'elle soit valide sous le régime de la loi applicable, mais si l'une de ses dispositions est déclarée interdite ou nulle, cette disposition n'est nulle que dans la mesure de cette interdiction ou nullité, et les autres éléments de cette disposition ainsi que les autres dispositions de la garantie limitée restent valides.

Recours : Durant la période de la garantie limitée applicable, l'entreprise fournira, à son choix, des pièces de rechange ou des services de réparation ou de remplacement sans frais pour tout produit ou toute pièce de produit, dans la mesure où l'entreprise constate que la présente garantie limitée s'applique à ce produit ou à cette pièce dans le contexte d'une utilisation et d'un entretien normaux. L'entreprise vous expédiera le produit réparé, son remplacement ou les pièces de rechange sans frais. Vous assumez la totalité des coûts de mise hors service, de réinstallation, d'expédition et d'assurance et les autres frais de transport associés à la livraison du produit ou de la pièce à l'entreprise. Si vous devez envoyer le produit ou la pièce à l'entreprise, conformément à ses instructions, vous devez emballer adéquatement le produit ou la pièce; l'entreprise n'est pas responsable des dommages survenus durant le transport. L'entreprise se réserve le droit d'utiliser des produits ou pièces remis à neuf, réparés ou remanufacturés aux fins de réparation ou de remplacement dans le cadre de la garantie. Ces produits et ces pièces seront comparables quant à la fonction et aux performances avec les produits ou pièces d'origine, et protégés par une garantie pour la durée restante de la période de garantie initiale (ou d'une période plus longue si la loi en vigueur l'exige). L'entreprise se réserve le droit, à son entière discrétion, de rembourser le montant que vous avez effectivement payé pour le produit. Si le produit ou la pièce n'est plus disponible, elle peut le ou la remplacer par un produit similaire de valeur égale ou supérieure, à son entière discrétion. Ceci constitue votre seul recours advenant un non-respect de la présente garantie limitée.

Exclusion des dommages : **L'OBLIGATION DE L'ENTREPRISE DE FOURNIR DES PIÈCES DE RECHANGE, OU DE RÉPARER OU REMPLACER LE PRODUIT, À SON CHOIX, EST VOTRE SEUL RECOURS EN VERTU DE LA PRÉSENTE GARANTIE LIMITÉE ET L'UNIQUE OBLIGATION DE L'ENTREPRISE. CETTE DERNIÈRE N'EST PAS RESPONSABLE DES DOMMAGES INDIRECTS OU SPÉCIAUX DÉCOULANT DIRECTEMENT OU INDIRECTEMENT DU PRODUIT, DE SON UTILISATION OU DE SES PERFORMANCES.**

Certains territoires de compétence interdisent l'exclusion ou la restriction des dommages indirects; la restriction qui précède pourrait donc ne pas s'appliquer à vous. Cette garantie vous donne des droits spécifiques, et vous pourriez aussi avoir d'autres droits, qui varient selon le territoire de compétence. Les renonciations, exclusions et restrictions de responsabilité aux termes de cette garantie ne s'appliquent pas dans la mesure où la loi en vigueur interdit une telle application.

La présente garantie ne s'applique qu'au remplacement ou à la réparation de produits ou pièces de produit défectueux effectué au principal lieu d'affaires de l'entreprise, et exclut les frais de déplacement et de subsistance liés aux services fournis sur le terrain.

Tout soutien que l'entreprise vous fournit ou vous procure et qui n'est pas visé par les dispositions, limites ou exclusions de la présente garantie limitée ne constitue pas une renonciation à ces dispositions, limites ou exclusions, et la fourniture de ce soutien ne prolonge ni ne rétablit la garantie.

L'entreprise ne vous remboursera pas vos dépenses faites pour la réparation ou le remplacement d'un produit défectueux, sauf celles pour lesquelles vous avez obtenu le consentement écrit de l'entreprise.

Comment obtenir le service de garantie : Pour avoir droit au service de garantie, vous devez : a) aviser l'entreprise à l'adresse ou au numéro de téléphone indiqué ci-dessous dans les sept (7) jours qui suivent la date où vous avez eu connaissance de la défectuosité couverte, b) indiquer le numéro de modèle et les données d'identification de la pièce, et c) décrire la nature de toute défectuosité du produit ou de la pièce. Au moment où vous demandez le service de garantie, vous devez présenter une preuve de la date de l'achat initial. Si vous ne pouvez pas produire de copie de l'original de la garantie limitée, alors ce seront les modalités de la dernière version de la garantie limitée de votre produit de l'entreprise qui s'appliqueront.

SPÉCIFICATIONS DU PRODUIT

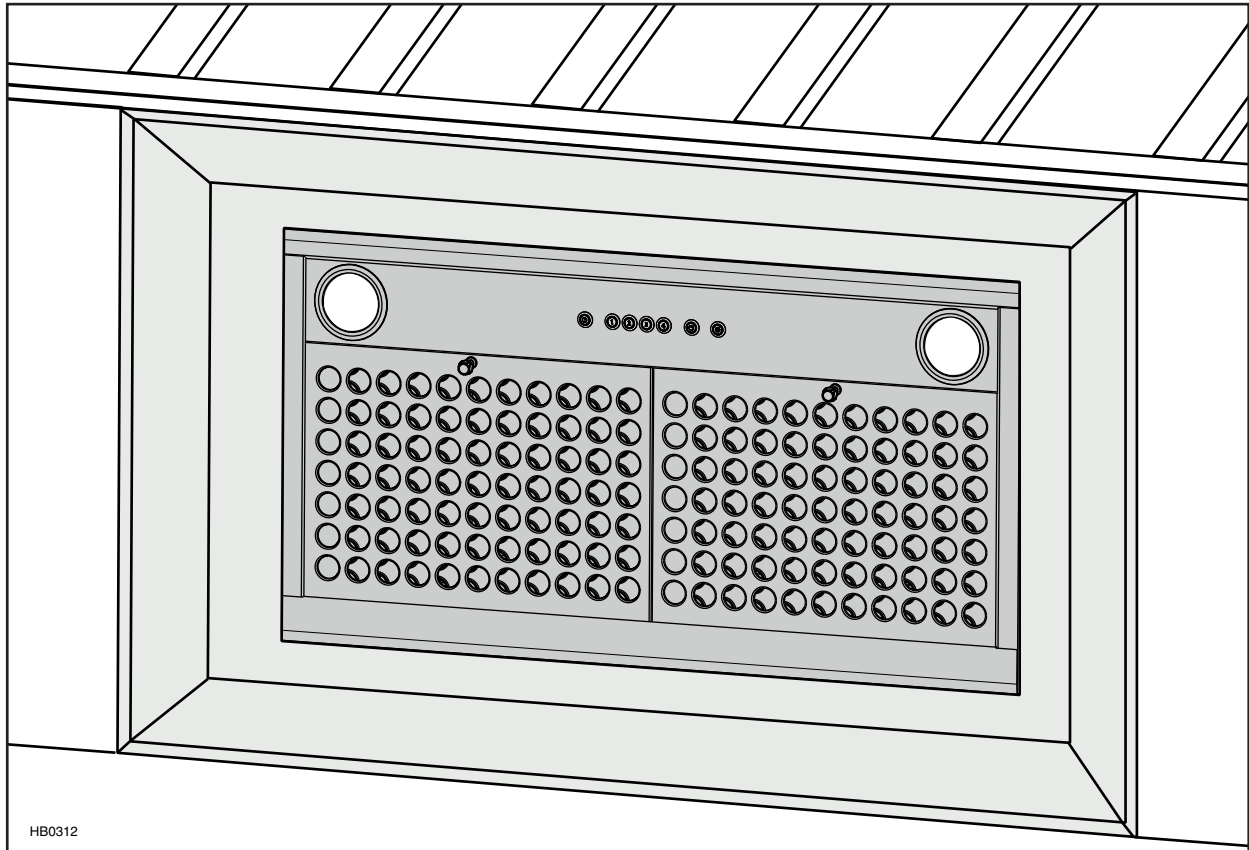
Toutes les illustrations et les spécifications des produits contenues dans ce catalogue sont établies d'après les plus récentes données disponibles en date de la production. Broan-NuTone LLC et BEST^{MD} se réservent le droit de modifier les prix, les couleurs, les composants, les produits, les spécifications et les modèles, de déplacer le lieu de fabrication et de cesser la production d'un modèle ou d'un produit, et ce, en tout temps et sans préavis.

Best

Broan-NuTone LLC : 926 W. State Street, Hartford (WI) 53207 1 800 637-1453

Best^{MD}, 550, boul. Lemire, Drummondville (Québec), Canada (1 866 737-7770) fr.bestrangehoods.ca

best®



SERIE CC6

⚠ DESTINADA ÚNICAMENTE PARA COCINAS DOMÉSTICAS ⚠

LEA Y GUARDE ESTAS INSTRUCCIONES

INSTALADOR: DEJE ESTE MANUAL AL PROPIETARIO.
PROPIETARIO: INFORMACIÓN SOBRE USO Y CUIDADO EN LAS
PÁGINAS 12 Y 13.

BEST; Hartford, Wisconsin www.BestRangeHoods.com 800-558-1711
BEST; Drummondville, QC, Canada www.BestRangeHoods.ca 866-737-7770

⚠️ ADVERTENCIA

PARA REDUCIR EL RIESGO DE INCENDIO, CHOQUE ELÉCTRICO O HERIDAS CORPORALES, SIGA LAS INDICACIONES SIGUIENTES:

1. Utilice este aparato sólo en la forma prevista por el fabricante. Si tiene preguntas, póngase en contacto con el fabricante en la dirección o número de teléfono indicados en la garantía.
2. Antes del mantenimiento o de la limpieza del aparato, apague la alimentación en el tablero de servicio y bloquee los medios de desconexión para evitar que se conecte la corriente accidentalmente. Cuando no se puedan bloquear los medios de desconexión de servicio, coloque firmemente un dispositivo de aviso visible, como una etiqueta, en el tablero de servicio.
3. Los trabajos de instalación y el cableado eléctrico han de ser realizados por personal cualificado, de conformidad con todos los códigos y normas aplicables, incluyendo los códigos y normas de construcción contra incendios.
4. Se necesita aire suficiente para una combustión adecuada y para sacar los gases por la chimenea del equipo que quema el combustible para evitar la contracorriente. Siga las directrices del fabricante del equipo de calefacción y las normas de seguridad, tales como las que publica la Asociación Nacional de Protección Contra Incendios (NFFPA) y la Sociedad Americana de Ingenieros de Calefacción, Refrigeración y Aire Acondicionado (ASHRAE) y las de las autoridades responsables del código local.
5. Al cortar o taladrar en la pared o en el techo, procure no dañar el cableado eléctrico ni otras instalaciones ocultas.
6. Los ventiladores con conductos deben tener siempre salida al exterior.
7. No use el aparato con cualquier dispositivo de control de velocidad de semiconductores.
8. Para reducir el riesgo de incendio, utilice sólo conductos metálicos.
9. Este aparato debe conectarse a tierra.
10. Cuando la reglamentación local aplicable sea más restrictiva en materia de instalación o certificación, dicha reglamentación prevalecerá sobre las exigencias de este manual y el instalador acepta atenerse a dicha reglamentación y asumir los gastos correspondientes.

PARA REDUCIR EL RIESGO DE INCENDIO DE LA GRASA ACUMULADA EN LA PARTE SUPERIOR DE LA COCINA:

- a) Nunca deje una cocina a fuego fuerte desatendida. Los desbordamientos causan humo y derrames grasientos que pueden encenderse. Caliente el aceite lentamente y a fuego lento o mediano.
- b) Encienda la campana siempre que cocine a fuego fuerte o al flambear alimentos (p. ej., Creps Suzette, cerezas Jubilee, carne de res flambeada con pimienta).
- c) Limpie los ventiladores con frecuencia. No debe dejarse que se acumule la grasa en el ventilador, filtros o conductos de salida.
- d) Use sartenes, ollas y cacerolas del tamaño adecuado a las dimensiones de la placa eléctrica o fuego. Utilice siempre recipientes de cocina apropiados para el tamaño de la placa eléctrica o fuego.

⚠️ ADVERTENCIA

PARA REDUCIR EL RIESGO DE LESIONES PERSONALES EN CASO DE INCENDIO DE LA GRASA ACUMULADA EN LA PARTE SUPERIOR DE LA COCINA, SIGA ESTAS INDICACIONES*:

1. SOFOQUE LAS LLAMAS con una tapa bien ajustada, una bandeja metálica u hoja para hacer galletas y, a continuación, apague el quemador. **TENGA CUIDADO DE NO QUEMARSE.** Si las llamas **NO SE APAGAN INMEDIATAMENTE, EVACÚE EL LUGAR INMEDIATAMENTE Y LLAME A LOS BOMBEROS.**
2. **NO TRATE NUNCA DE SUJETAR UNA SARTÉN EN LLAMAS:** podría quemarse.
3. **NO USE AGUA,** ni trapos de cocina o toallas húmedos: esto podría causar una violenta explosión de vapor.
4. Use un extintor **SÓLO** si:
 - A. Tiene un extintor de tipo ABC y sabe cómo funciona.
 - B. El fuego es pequeño y se limita a la zona donde comenzó.
 - C. Ya llamó a los bomberos.
 - D. Puede combatir el fuego disponiendo de un lugar de salida a su espalda.

* Basado en "Kitchen Fire Safety Tips" (consejos de seguridad contra incendios de cocina) publicado por la NFFPA.

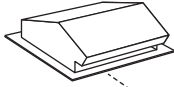
PRECAUCIÓN

1. Sólo para uso interior.
2. Sólo para ventilación general. No lo use para evacuar materias ni vapores peligrosos o explosivos.
3. Para evitar daños en los cojinetes del motor y ventiladores ruidosos o desequilibrados, mantenga la pulverización del cartón yeso, el polvo de construcción, etc. lejos de la campana extractora empotrable.
4. El motor de la campana tiene un dispositivo de sobrecarga térmica que apaga automáticamente el motor si se sobrecalienta. El motor volverá a funcionar cuando se enfríe. Si el motor sigue apagándose y encendiéndose, haga que un técnico examine la campana.
5. La distancia mínima entre la campana y la superficie sobre la que se cocina no debe ser inferior a 24" (30" para una cocina de gas). Se aconseja una distancia máxima de 30" por encima de la superficie sobre la que se cocina para capturar mejor las impurezas que se producen al cocinar. **Para una cocina de gas,** la parte inferior de la campana **NO DEBE ESTAR A MENOS de 30"** por encima de la superficie sobre la que se cocina.
6. Se recomienda que haya dos personas para instalar la campana dadas sus grandes dimensiones y su peso.
7. Para reducir el riesgo de incendio y expulsar el aire debidamente, compruebe que el aire vaya al exterior. No lleve el aire a espacios situados entre paredes, en el techo o en un desván, en sótanos pequeños ni en cocheras.
8. Dada la alta capacidad de expulsión de aire de esta campana, debe asegurarse de que en la casa entra aire suficiente. Abra una ventana en o cerca de la cocina.
9. Para reducir el riesgo de incendio o de descarga eléctrica, los modelos de la serie Best CC6 sólo deben instalarse con sus propios ventilador impelente incorporado.
10. Para mayor información sobre otras exigencias, lea la etiqueta de especificaciones que viene en el aparato.

- SERIE CC6 -

SYSTEMA CON CAMPANA EXTRACTORA EMPOTRABLE

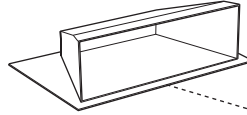
(CAPUCHÓN PARA TEJADO ESTÁNDAR DE 3¼" x 10" (NON INCLUIDO))



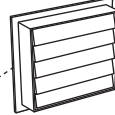
(CAPUCHÓN MURAL ESTÁNDAR DE 3¼" x 10" (NON INCLUIDO))



MODELO 437 (CAPUCHÓN DE ALTA CAPACIDAD PARA TEJADO) (NO INCLUIDO)



MODELO 441 (CAPUCHÓN MURAL REDONDO DE 10") (NO INCLUIDO)



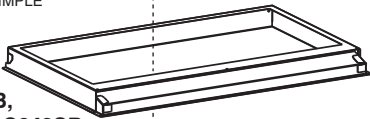
CONDUCTO ESTÁNDAR DE 3¼" x 10" (NON INCLUIDO)



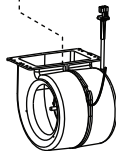
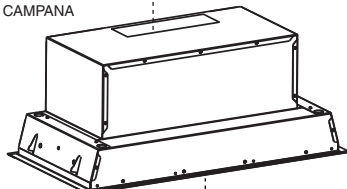
ADAPTADOR/COMPUERTA DE 3¼" x 10" (PROVISTO CON EL GRUPO DE ALIMENTACIÓN CON VENTILADOR SIMPLE)



ALCC630SB, ALCC636SB o ALCC642SB REVESTIMIENTO DE LA CAMPANA (OPCIONAL)

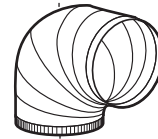


CAMPANA EXTRACTORA EMPOTRABLE CC65I28SB

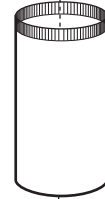


VENTILADOR SIMPLE (600 PCM PROVISTO CON EL GRUPO DE ALIMENTACIÓN)

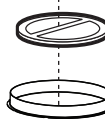
ADAPTADOR REDONDO DE 10" (PROVISTO CON EL GRUPO DE ALIMENTACIÓN CON VENTILADOR DOBLE DE 1000 PCM)



MODELO 418 (CODO AJUSTABLE REDONDO DE 10") (NO INCLUIDO)



MODELO 410 (TUBO REDONDO DE 10", SECCIONES DE 2 PIES) (NO INCLUIDO)

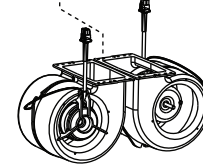
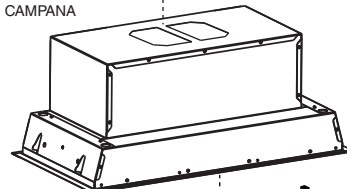


MODELO 421 (DISPOSITIVO DE CIERRE REDONDO, VERTICAL Y EN LÍNEA DE 10" (PROVISTO CON EL GRUPO DE ALIMENTACIÓN CON VENTILADOR DOBLE DE 1000 PCM))

ALCC630SB, ALCC636SB o ALCC642SB REVESTIMIENTO DE LA CAMPANA (OPCIONAL)



CAMPANA EXTRACTORA EMPOTRABLE CC67I28SB



VENTILADOR DOBLE (1000 PCM PROVISTO CON EL GRUPO DE ALIMENTACIÓN)

HL0126

1. PREPARE LA INSTALACIÓN

⚠ ADVERTENCIA

Para instalar, reparar o limpiar la campana, se aconseja llevar lentes y guantes de seguridad.

NOTA: antes de empezar la instalación, compruebe el contenido de la caja. Si hay elementos que faltan o están dañados, póngase en contacto con el fabricante.

Compruebe que los siguientes elementos están incluidos:

- Campana extractora empotrable
- Accesorios:
 - 2 filtros
 - 2 pomos de filtro con tornillos, pegados dentro de la campana extractora empotrable
 - 1 Adaptador/compuerta de 3¼" x 10" (provisto con la campana extractora empotrable con ventilador simple de 600 PCM)
 - 1 dispositivo de cierre redondo de 10" (provisto con la campana extractora empotrable con ventilador doble de 1000 PCM)
 - 1 adaptador redondo de 10" (provisto con la campana extractora empotrable con ventilador doble de 1000 PCM)
 - Bolsa de piezas que incluye: 1 alambre eléctrico, 2 conectores de cables, 4 tornillos n.º 8 x 3/8", 9 tornillos cromado n.º 8 x 1/2", 10 tornillos n.º 8-32 x 1/4". Si es necesario, deseche las piezas que sobren.

Piezas vendidas por separado:

- Revestimiento protector de la campana modelo ALCC630SB, ALCC636SB o ALCC642SB (opcional)
- Conductos, codos, capuchones murales y para tejado. Consultar la página 3 para la lista completa de los accesorios de ventilación y los números de modelo.

NOTA: Durante la instalación, proteger la encimera y/o la superficie para cocinar.

2. INSTALE LOS CONDUCTOS Y EL CABLE DE ALIMENTACIÓN

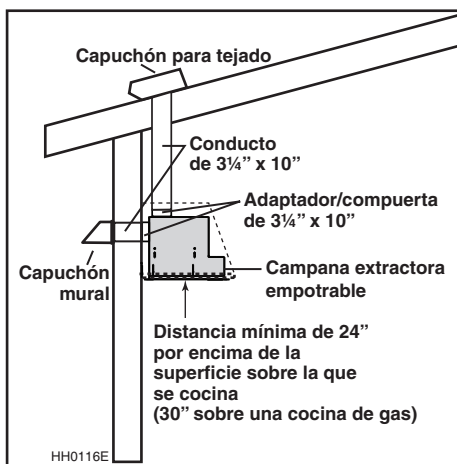
Planifique dónde y cómo instalará los conductos. Un acceso por la parte superior de la campana es preferible para realizar el empalme del conducto a la campana extractora empotrable.

Instale los conductos, codos y capuchones del tamaño adecuado, según el tipo de instalación y la campana extractora empotrable. Utilice los conductos de 3¼" x 10" con la campana extractora empotrable CC65I28SB. Para la campana extractora empotrable CC67I28SB, utilice conductos redondos de 10". Utilice cinta adhesiva metálica para sellar las juntas de los conductos.

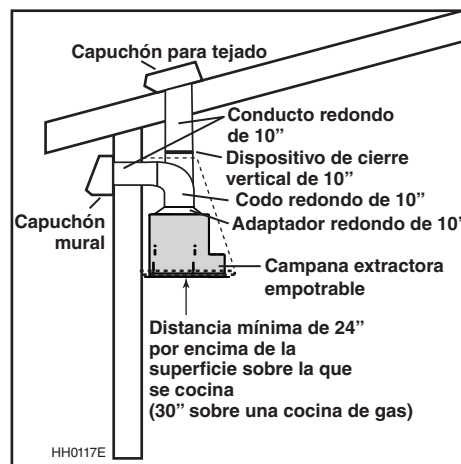
Aconsejamos instalar la campana extractora empotrable a una distancia mínima de 24" de una cocina eléctrica y a 30" de una cocina de gas.

Las distancias superiores a 30" son a discreción del instalador y de los usuarios.

Lleve el cable de alimentación hasta la ubicación de la instalación. Saque un trozo de cable eléctrico **de 4 pies de largo** por debajo de la campana.



MODELO CC65I28SB
(SOLO VENTILADOR) INSTALACIÓN ESTÁNDAR



MODELO CC67I28SB
(DOS VENTILADORES) INSTALACIÓN ESTÁNDAR

NOTA: Aunque la instalación con descarga horizontal es factible con el modelo de campana extractora empotrable CE6230SSL, este tipo de instalación debe realizarse en situaciones específicas, ya que requiere un conocimiento específico y competencias técnicas por parte de los instaladores.

3. PREPARACIÓN DE LA CAMPANA A MEDIDA

⚠ ADVERTENCIA

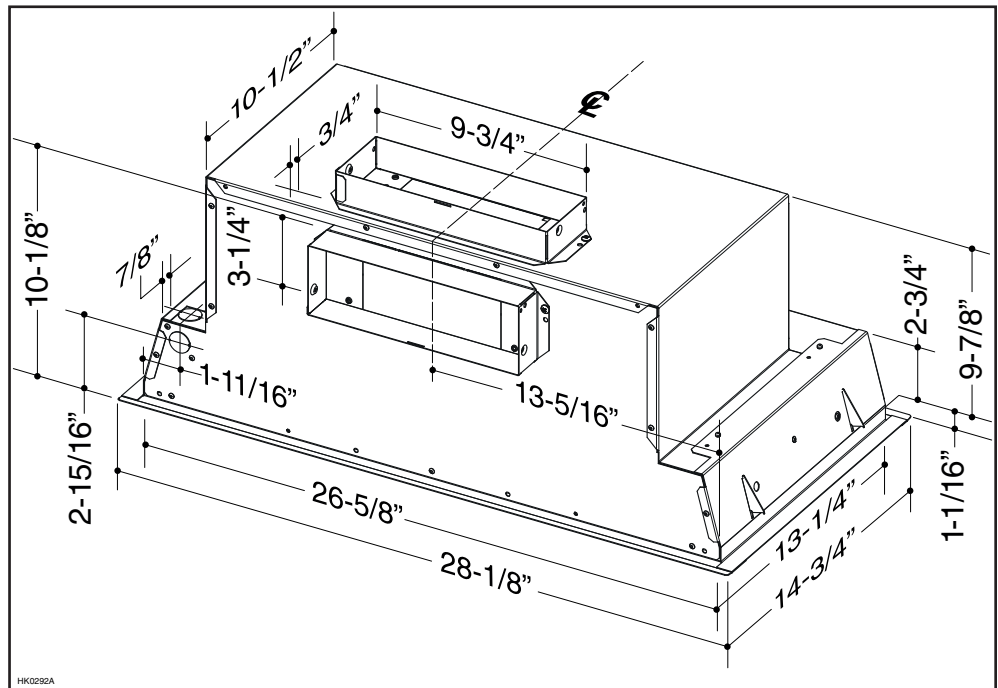
Para construir una campana a medida, siga siempre todos los códigos y normas de construcción correspondientes. La campana a medida debe fijarse bien a los montantes murales o a otra estructura de madera situada detrás de la pared. Asegúrese de que pueda soportar su propio peso y el peso de la campana extractora empotrable. De no ser así, podrían producirse lesiones personales o daños en la parte superior de la encimera o de la cocina.

La campana a medida debe construirse de manera que se ajuste a la forma y al peso total de la campana extractora empotrable CC6. El espesor mínimo recomendado para la base de la campana a medida es de 5/8". Si se va a instalar un revestimiento opcional en la campana a medida, aconsejamos que los lados y la parte delantera de la campana tengan un grosor de 3/4". Si no se va a instalar un revestimiento opcional en la campana a medida, el grosor de los lados y de la parte delantera de la campana quedan a discreción del instalador. Consulte el gráfico y la ilustración para más detalles.

MODELO DE CAMPANA EXTRACTORA EMPOTRABLE	PESO TOTAL
CC65I28SB	33 LB.
CC67I28SB	45 LB.

CC65I28SB

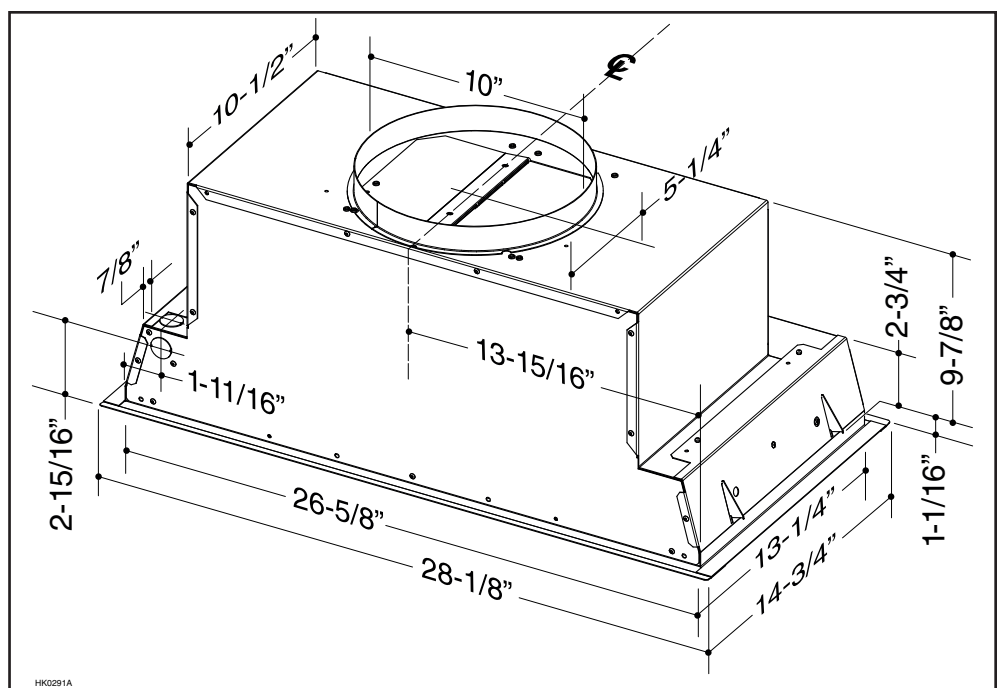
CAMPANA EXTRACTORA EMPOTRABLE
PARA UN SOLO VENTILADOR



CC67I28SB

CAMPANA EXTRACTORA EMPOTRABLE
PARA DOS VENTILADORES

NOTA: El modelo de dos ventiladores tiene las mismas dimensiones que el de un solo ventilador, pero no tiene descarga horizontal.



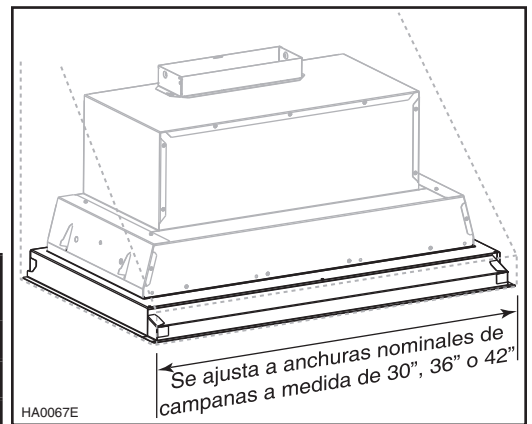
4. INSTALE EL REVESTIMIENTO DE LA CAMPANA A MEDIDA (OPCIONAL)

Los revestimientos están diseñados especialmente para proteger la base exterior de la campana a medida. Consulte la tabla que aparece a continuación para encontrar el número de modelo de revestimiento adecuado según la anchura nominal de la campana a medida. Para ver la información de un determinado modelo, incluyendo las profundidades de cada modelo de revestimiento, consulte la página www.BestRangeHoods.com, www.BestRangeHoods.ca, o póngase en contacto con el Servicio de Apoyo Técnico (el número de teléfono está indicado en la portada).

Para instalar, véanse las instrucciones que vienen con el revestimiento de la campana a medida.

NOTA: Debe instalarse el revestimiento antes de introducir la campana.

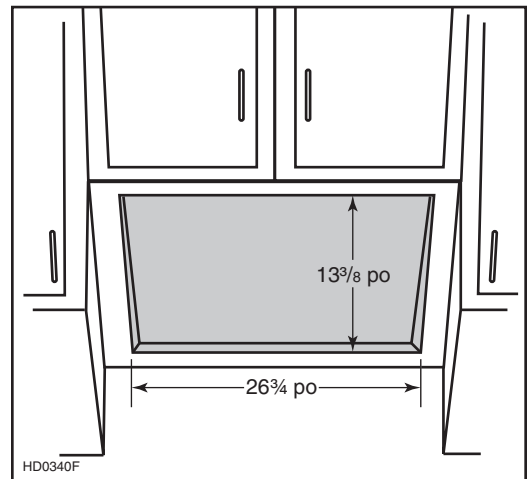
MODELO DE REVESTIMIENTO	ANCHURA NOMINAL DE LA CAMPANA A MEDIDA
ALCC630SB	30 po
ALCC636SB	36 po
ALCC642SB	42 po



5. CORTE EL ORIFICIO EN LA BASE DE LA CAMPANA A MEDIDA

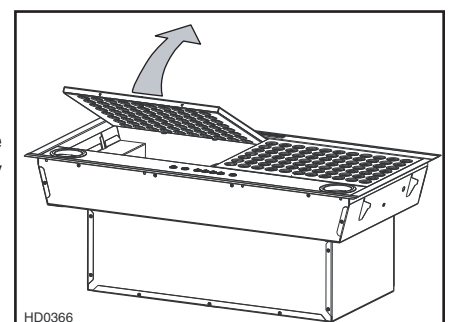
Si no se ha realizado todavía, corte un orificio en la parte inferior de la campana a medida siguiendo las dimensiones que se muestran a la derecha.

NOTA: Tenga en cuenta que el reborde exterior de la unidad es de 3/4".



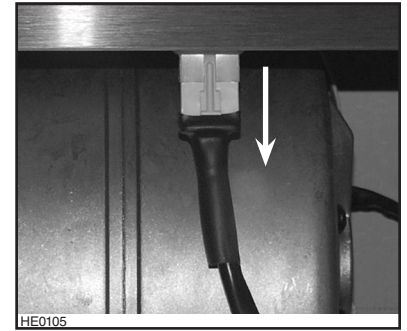
6. QUITÉ LOS FILTROS

Coloque la campana extractora empotrable sobre una mesa. Quite las cintas que hay sobre los filtros. Levante los filtros de la campana extractora empotrable empujándolos hacia atrás y girándolos; a continuación, ponga los filtros a un lado.



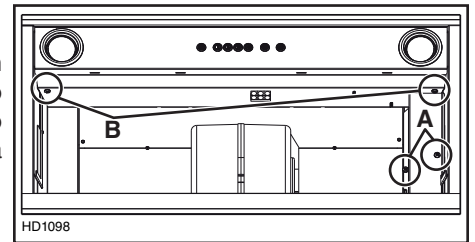
7. DESENCHUFE EL O LOS VENTILADORES

Desenchufe el o los ventiladores (uno o dos, según el modelo) desde el tablero delantero.



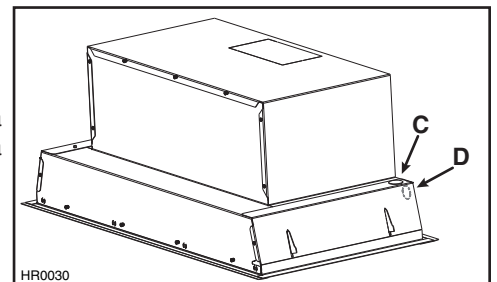
8. RETIRE LA TAPA DEL CABLEADO Y EL TABLERO DELANTERO

Utilice un destornillador Robertson o Phillips n.º 2 para quitar los tornillos (A) que sujetan la tapa del cableado. Sepárela de la campana extractora empotrable y póngala a un lado con sus tornillos. A continuación, quite ambos tornillos laterales (B) que sujetan el tablero delantero a la campana extractora empotrable. Separe con cuidado el tablero delantero de la campana extractora empotrable y póngalo a un lado con sus tornillos.



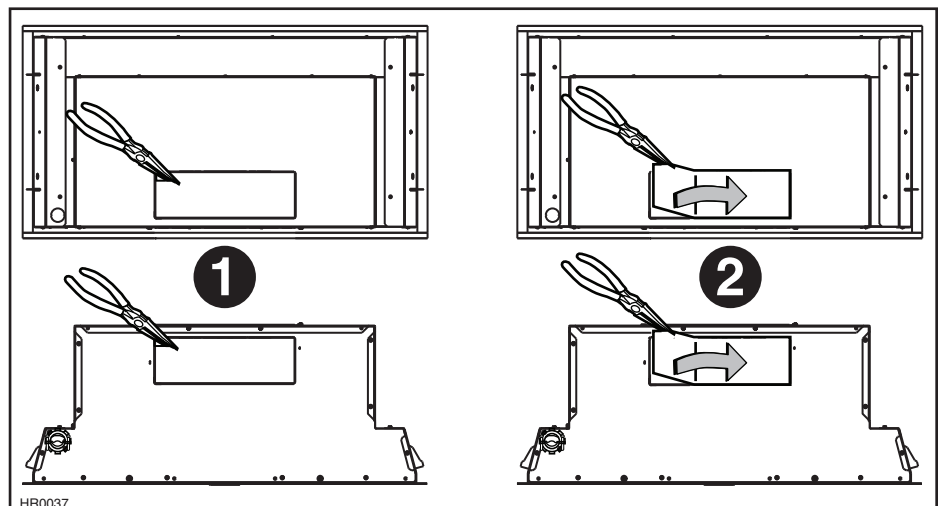
9. RETIRE EL TROQUELADO PARA USO ELÉCTRICO

Desde el interior de la campana extractora empotrable, perforo el agujero troquelado para uso eléctrico en la parte superior derecha (C) o en la parte posterior derecha (D). Instale la abrazadera de hilos (incluida en la bolsa de piezas).



10. RETIRE LA APERTURA TROQUELADA (SÓLO EN EL MODELO CON UN SOLO VENTILADOR)

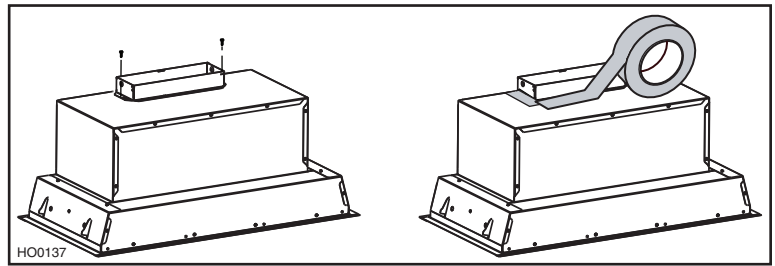
Retire la apertura troquelada en la parte superior (instalación con descarga vertical) o en la parte posterior (instalación con descarga horizontal) de la campana extractora empotrable.



11. INSTALE EL ADAPTADOR/COMPUERTA (SÓLO EN EL MODELO CON UN SOLO VENTILADOR)

INSTALACIÓN CON DESCARGA VERTICAL

Utilice 2 tornillos n.º 8 x 3/8" que vienen en la bolsa de piezas para sujetar el adaptador/compuerta a la parte superior de la campana extractora empotrable. Retire la cinta de la solapa de la compuerta. Selle el adaptador a la campana extractora empotrable con cinta adhesiva metálica.

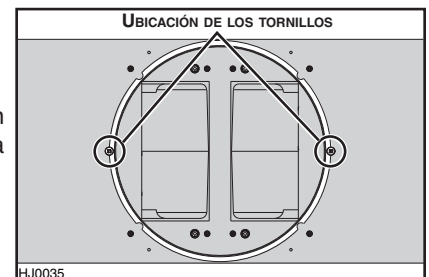


INSTALACIÓN CON DESCARGA HORIZONTAL

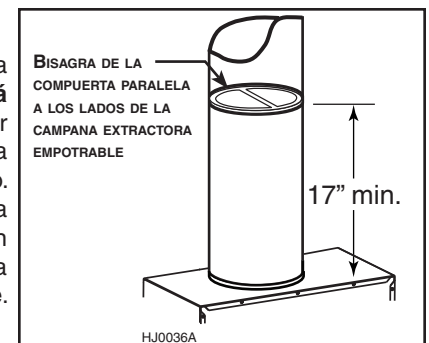
El adaptador/compuerta se instalará en la parte posterior de la campana extractora empotrable una vez que ésta haya sido instalada en la campana a medida. Consulte la etapa 15.

12. INSTALE EL ADAPTADOR Y LA COMPUERTA (SÓLO EN EL MODELO CON DOS VENTILADORES)

Utilice 2 tornillos n.º 8 x 3/8" que vienen en la bolsa de piezas para ensamblar el adaptador en la parte superior de la campana extractora empotrable. Selle todas las juntas con cinta adhesiva metálica para eliminar las fugas de aire.



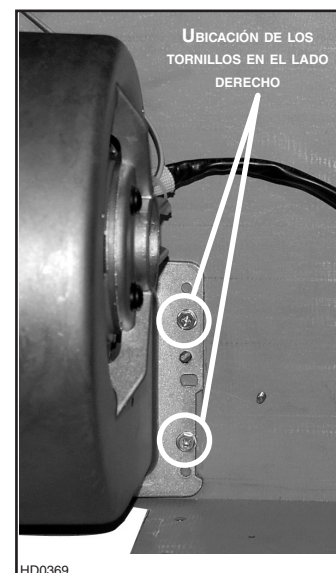
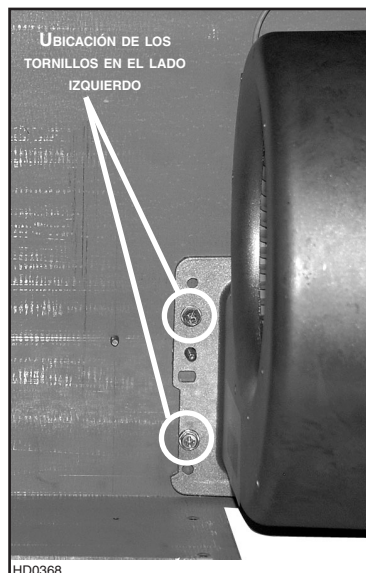
Instale la compuerta de 10" dentro del conducto VERTICAL que se unirá a la campana extractora empotrable. **No la instale en un conducto horizontal ya que no abrirá y cerrará correctamente.** Retire la cinta de transporte, de haberla. Para optimizar el flujo de aire y reducir el ruido, coloque la compuerta al menos 17" por encima de la parte superior de la campana extractora empotrable del modelo con dos ventiladores o tan lejos como permita el conducto. Asimismo, asegúrese de que la bisagra de la compuerta esté paralela a los lados de la campana extractora empotrable (véase la figura de la derecha). Sujete la compuerta al conducto con 3 tornillos n.º 8 para láminas de metal (no provistos). Compruebe que la compuerta abre y cierra sin obstáculos. Selle todas las juntas con cinta adhesiva metálica para eliminar las fugas de aire.



13. RETIRE EL VENTILADOR (MODELO CON UN SOLO VENTILADOR, DESCARGA HORIZONTAL SOLAMENTE)

A fin de facilitar la alineación de la campana extractora empotrable con el conducto horizontal, desmonte el ventilador de la campana extractora empotrable antes de instalara en la campana a medida.

Use una llave de tubo de 5/16" o un destornillador Robertson n.º 2 o Phillips n.º 2 para quitar los tornillos de montaje del ventilador desde la parte superior interna de la campana extractora empotrable. Ponga el ventilador y los tornillos a un lado.

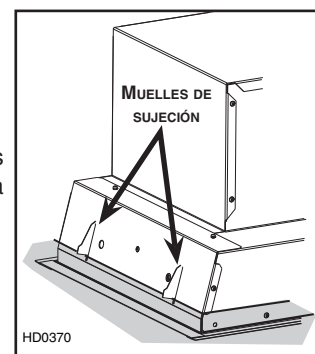


14. INSTALE LA CAMPANA EXTRACTORA EMPOTRABLE

PRECAUCIÓN

Procure no retorcer los conductos ni comprimir el cable eléctrico al instalar la campana extractora empotrable.

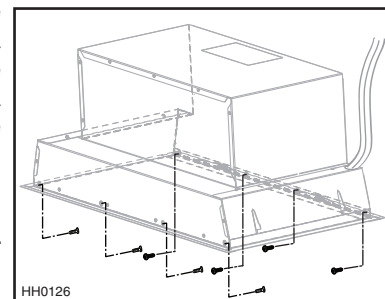
Introduzca la campana extractora empotrable en la campana a medida hasta que la parte inferior de los muelles de sujeción (2 por lado) descansen sobre la parte superior de la base de la campana a medida (zona gris en la ilustración de la derecha).



Instale la campana extractora empotrable en la base de la campana a medida desde el interior de la campana extractora empotrable utilizando para ello los tornillos n.º 8-10 x 1/2" provistos. Para ello, levante la parte delantera hasta que su borde descansa sobre la parte exterior de la base de la campana a medida y utilice 2 tornillos para sujetarla. Haga lo mismo para la parte posterior y, a continuación, termine la instalación con otros 2 tornillos en la parte delantera y en la trasera. Véase en la figura de la derecha la ubicación de los tornillos de montaje.

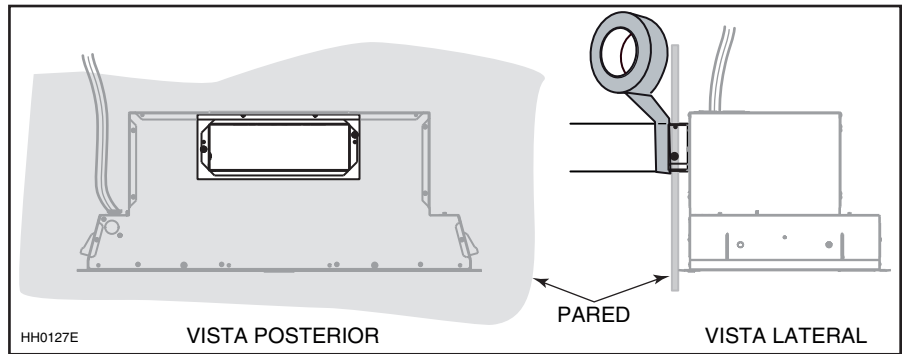
INSTALACIÓN DE LA SALIDA VERTICAL ÚNICAMENTE

Asegúrese de que el adaptador/compuerta entra en el conducto y la compuerta se abre sin dificultad. Cuando sea posible, selle las conexiones con cinta adhesiva metálica.



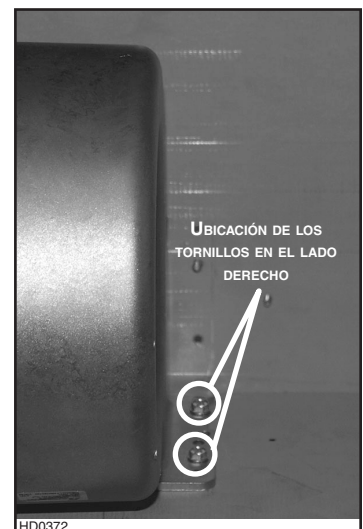
15. INSTALE EL ADAPTADOR/COMPUERTA EN LA PARTE POSTERIOR DE LA CAMPANA EXTRACTORA EMPOTRABLE (MODELO CON UN SOLO VENTILADOR, DESCARGA HORIZONTAL SOLAMENTE)

Utilice 2 tornillos n.º 8 x 3/8" que vienen en la bolsa de piezas para sujetar el adaptador o la compuerta a la parte posterior de la campana extractora empotrable desde el exterior de la pared. Retire la cinta de la solapa de la compuerta. Conecte el conducto al adaptador o a la compuerta y selle la junta con cinta adhesiva metálica.



16. VUELVA A INSTALAR EL VENTILADOR (MODELO CON UN SOLO VENTILADOR, DESCARGA HORIZONTAL SOLAMENTE)

La campana extractora empotrable para el modelo con un solo ventilador viene de fábrica para instalarse con descarga vertical. Para una instalación con descarga horizontal debe invertirse el ventilador. Utilice una llave de tubo de 5/16" o un destornillador Phillips o Robertson n.º 2 para fijar el ventilador en la parte interior trasera de la campana extractora empotrada con todos los tornillos de montaje del ventilador (retirados previamente en la etapa 13).



17. CONEXIÓN ELÉCTRICA (TODOS LOS MODELOS)

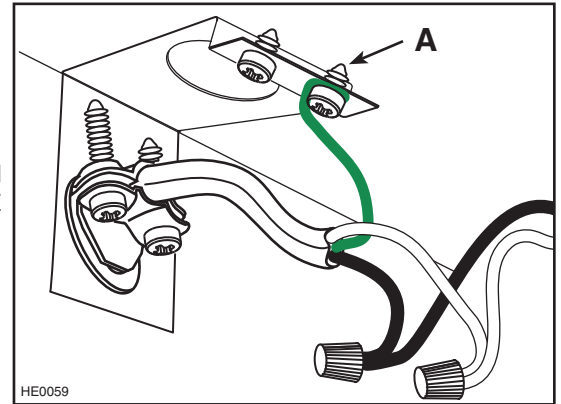
⚠ ADVERTENCIA

Peligro de choque eléctrico. La instalación eléctrica debe ser hecha por personal calificado de acuerdo con todos los códigos aplicables y normas. Antes de efectuar el empalme, cortar la alimentación eléctrica del interruptor y cerrar con seguridad para prevenir una alimentación accidental.

Inserte el cable de alimentación doméstica por la abrazadera de hilos instalada previamente en la etapa 9. Apriete la abrazadera de hilos para sujetar el cable.

Conecte los cables utilizando los conectores de cables provistos.

Conecte el cable NEGRO al NEGRO, el BLANCO al BLANCO y el VERDE ó el desnude al el tornillo que toma de tierra (A). JAMÁS DEBE OLVIDARSE DE CONECTAR LA TOMA DE TIERRA.

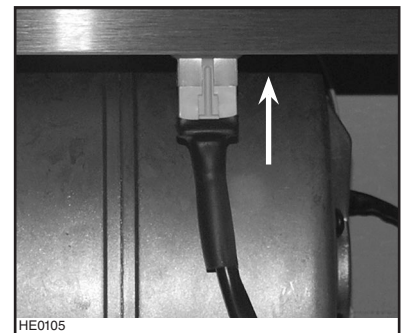
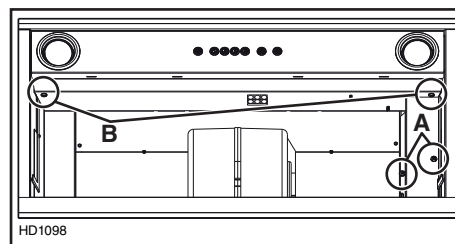
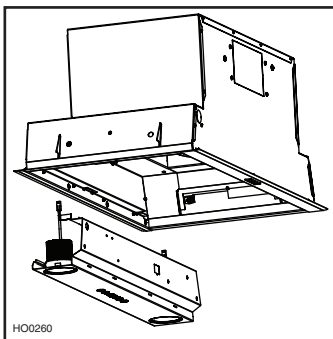


18. VUELVA A INSTALAR EL TABLERO DELANTERO Y LA TAPA DEL CABLEADO

PRECAUCIÓN

Procure no comprimir los hilos al volver a instalar el tablero delantero y la tapa del cableado.

Vuelva a montar con cuidado el tablero delantero en la campana extractora empotrada alineando las pestañas con sus ranuras correspondientes. Utilice un destornillador Robertson o Phillips n.º 2 para sujetar el tablero delantero al grupo de alimentación mediante sus dos tornillos de retención (A) retirados previamente en la etapa 8. Vuelva a montar la tapa del cableado utilizando sus dos tornillos de retención (B) retirados previamente en la etapa 8. Enchufe el o los motores (uno o dos, según el modelo) desde el tablero delantero.



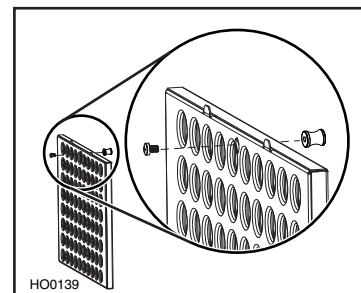
19. VUELVA A INSTALAR LOS FILTROS

PRECAUCIÓN

Quite la película protectora de plástico que cubre filtros antes de instalarlos.

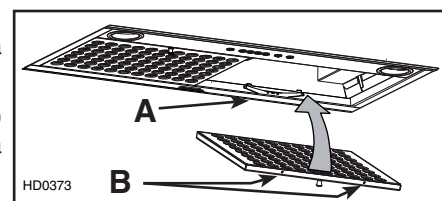
1. Utilice un destornillador Phillips n.º 2 para montar el pomo de cada filtro.

NOTA: El tornillo DEBE ESTAR en el lado de las pestañas del filtro. Véase la ilustración a la derecha.



2. Apoye el borde trasero de los filtros en los muelles de los filtros (A) en la campana extractora empotrada.

3. Use el pomo para inclinar el filtro hasta su posición. Compruebe que las pestañas del filtro (B) estén bien encajadas en el borde delantero de la campana extractora empotrada tras la instalación.



20. LUCES LED

Esta campana se ilumina con dos módulos LED (incluidos).

⚠ ADVERTENCIA

No toque los módulos cuando estén encendidos o poco después de apagarlos. Podría quemarse. No pueden sustituirse por cualquier otro tipo de bombilla o de módulo LED.

21. MANTENIMIENTO

Filtros

Los filtros deben limpiarse con frecuencia. Utilice una disolución de detergente con agua templada. Lávelos con mayor frecuencia si su tipo de cocina genera más grasa (alimentos fritos o cocina con wok).

Retire los filtros empujándolos hacia la parte posterior de la campana extractora empotrable y girándolos hacia abajo. Los filtros pueden lavarse en el lavavajillas. Deje que los filtros sequen completamente antes de volver a instalarlos en la campana.

Limpie los filtros totalmente metálicos en el lavavajillas con un detergente sin fosfato. El filtro podría descolorarse si se utiliza un detergente con fosfato o debido al tipo de agua, pero esto no afecta su funcionamiento. Este descoloramiento no está cubierto por la garantía.

Limpieza de la campana extractora empotrable

Acero inoxidable:

Debe hacerse:

- Limpiar regularmente las superficies con un trapo limpio humedecido con una mezcla de agua templada y jabón suave o detergente para la vajilla.
- Limpiar siempre en la dirección de las líneas originales de pulido del acero.
- Enjuagar siempre con agua limpia (2 o 3 veces) después de limpiar. Seque completamente.
- También puede utilizar un limpiador doméstico especial para acero inoxidable.

No debe hacerse:

- Utilizar un estropajo de acero o acero inoxidable u otro tipo de rasquetas para quitar la suciedad resistente.
- Utilizar limpiadores fuertes o abrasivos.
- Dejar que la suciedad se acumule.
- Dejar que el polvo del yeso u otros residuos de la construcción manchen la campana. Si efectúa obras de construcción o renovación, cubra la campana para que no se manche la superficie de acero inoxidable.

Al escoger un detergente, evite:

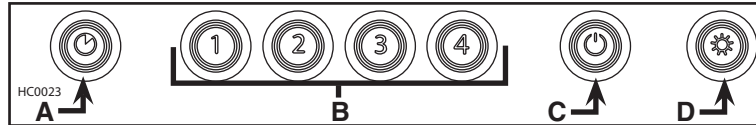
- Los limpiadores que contienen **blanqueador** (lejía), ya que dañarán el acero inoxidable.
- Los productos que contengan **cloruro**, **fluoruro**, **yoduro** y **bromuro**, ya que deterioran las superficies rápidamente.
- Los productos combustibles que se emplean para la limpieza, como **acetona**, **alcohol**, **éter**, **benzol**, etc., ya que son altamente explosivos y nunca deberían estar cerca de una cocina.

22. FUNCIONAMIENTO

⚠ ADVERTENCIA

Cuando utilice una cocina de gas, ponga en marcha siempre los ventiladores de la campana extractora empotrada antes de empezar a cocinar. Además, el o los ventiladores deben estar al menos en la tercera velocidad si hay tres quemadores o más funcionando simultáneamente. De no hacerlo, la superficie de la campana extractora empotrada podría calentarse excesivamente.

Ponga en marcha siempre el o los ventiladores antes de empezar a cocinar para crear una corriente de aire en la cocina. Deje que el ventilador funcione durante unos minutos para limpiar el aire una vez apagada la cocina. Esto ayudará a mantener toda la cocina más limpia y despejada.



A. INTERRUPTOR DE RETARDO:

Cuando seleccione una velocidad del ventilador, presione este interruptor para activar la función de apagado diferido. El interruptor de velocidad del ventilador correspondiente parpadeará para indicar que esta función está activada. El ventilador seguirá funcionando 5 minutos y se detendrá automáticamente. Para cancelar la función de retardo, pulse el interruptor de retardo de nuevo.

B. INTERRUPTORES DE PUESTA EN MARCHA, PARADA Y SELECCIÓN DE VELOCIDAD:

Pulse el interruptor correspondiente a la velocidad del ventilador deseada (de 1, para velocidad baja, a 4, para velocidad alta). El interruptor elegido se iluminará. Para apagar el ventilador, presione una vez más en el interruptor de velocidad del ventilador correspondiente; la luz del interruptor se apagará.

NOTA: Cuando el ventilador está apagado, al pulsar el interruptor de velocidad del ventilador 1, el ventilador se pondrá en marcha a velocidad alta brevemente y, a continuación, pasará a la velocidad 1.

C. INTERRUPTOR GENERAL/MANTENIMIENTO DE LOS FILTROS/HEAT SENTRY™ (INTERRUPTOR CON 3 FUNCIONES):

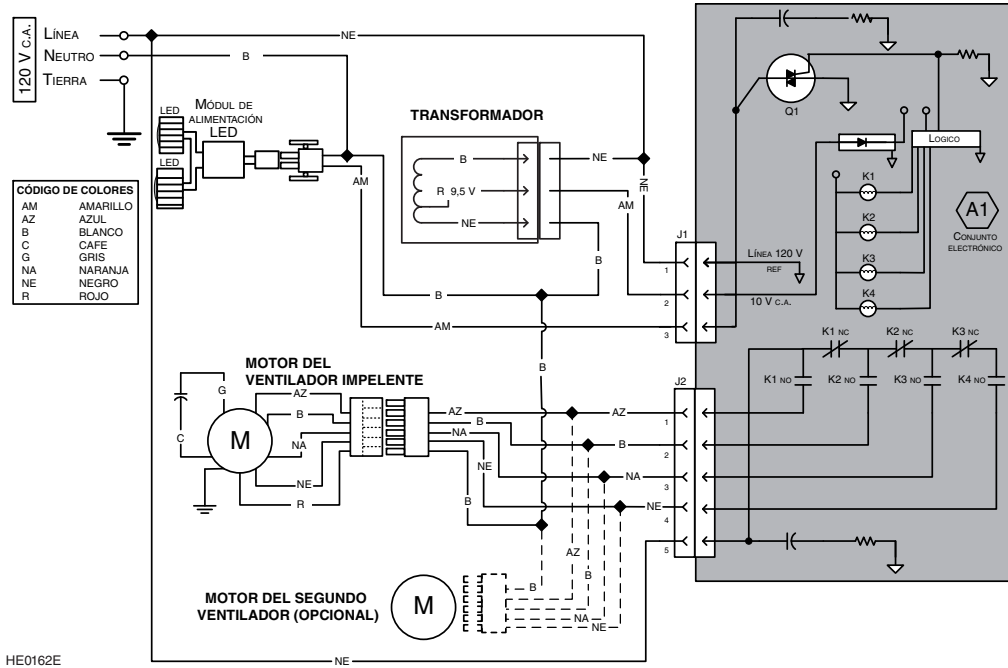
- Pulse este interruptor una vez para apagar el ventilador y la luz simultáneamente.
- Tras 25 horas de funcionamiento, este interruptor se encenderá para indicar que hay que limpiar los filtros y las ruedas de los ventiladores a fin de que el aparato funcione eficazmente. La luz del interruptor permanecerá encendida hasta que se reinicie la función pulsando el interruptor durante 3 segundos.
- El indicador luminoso también se utiliza para la función Heat Sentry.

HEAT SENTRY: La campana extractora empotrada está equipada con un dispositivo de protección que se activa cuando se detecta calor excesivo dentro de la campana extractora empotrada y cuando se selecciona la velocidad 4. Este dispositivo toma el control del ventilador y desactiva la velocidad 4 durante 10 minutos para hacerla pasar a la velocidad 3. Durante la activación del dispositivo Heat Sentry sólo se puede usar la velocidad 3; el botón del dispositivo Heat Sentry (C) parpadeará mientras el botón de la velocidad 3 está encendido. También se puede apagar la campana extractora empotrada.

D. INTERRUPTOR DE LAS LUCES:

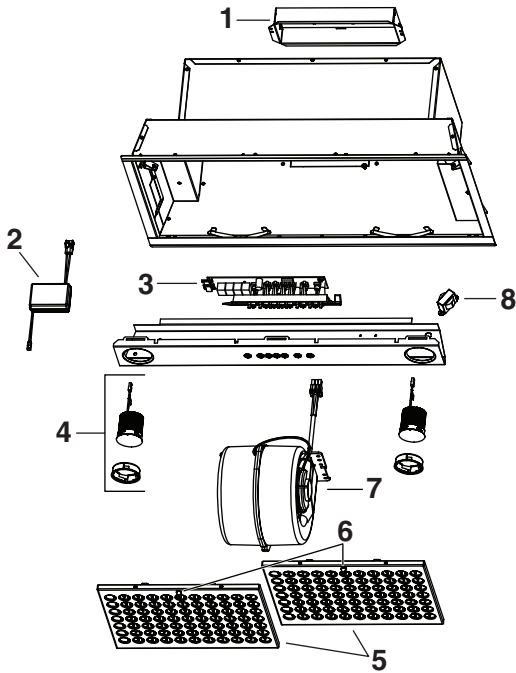
Este interruptor permite dos niveles de iluminación diferentes según sus necesidades. Presione una vez para obtener la máxima intensidad y dos veces para luz nocturna. Para apagar las luces sin apagar el ventilador, pulse una vez más.

23. DIAGRAMA DE CABLEADOS



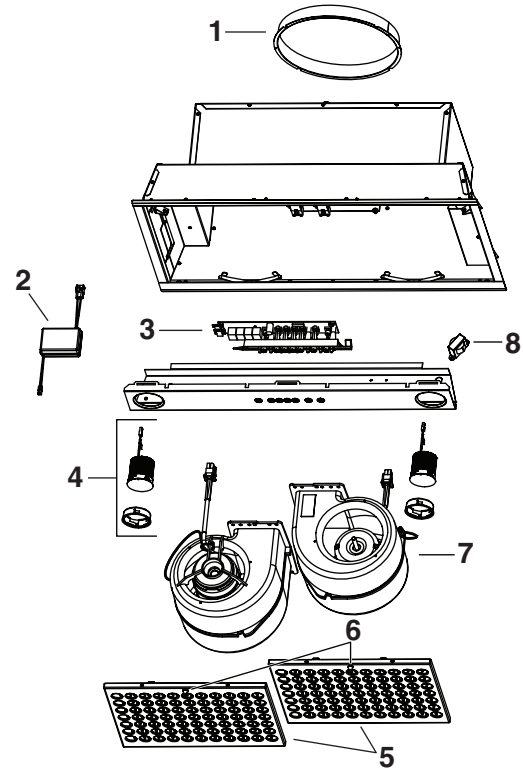
24. PIEZAS DE RECAMBIO

CC65I28SB



HL0447

CC67I28SB



N.º	N.º DE PIEZA	DESCRIPCIÓN	CANT. (MODELO DE CAMPANA EXTRACTORA EMPOTRABLE)	
			CC65I28SB	CC67I28SB
1	SV13296	ADAPTADOR/COMPUERTA DE 3¼" x 10"	1	-
	SV08541	ADAPTADOR REDONDO DE 10"	-	1
2	62248	MODULO DE ALIMENTACIÓN LED Y MAZO DE CABLES DE CONEXIÓN	1	1
3	SV21244	CONTROL ELECTRÓNICO CON BOTONES CROMADOS Y LEDS AZULES	1	1
4	62612	MÓDULO LED (1)	2	2
5	SV18428	FILTRO FINO	2	2
6	SV08967	POMOS DE LOS FILTROS (INCLUIDOS LOS TORNILLOS) (CANT.: 2)	1	1
7	SV08582	VENTILADOR INTERNO	1	2
8	SV09022	TRANSFORMADOR	1	1
*	SV05869	LOGO BEST	1	1
*	SV23862	MANUAL DE INSTALACIÓN	1	1
*	SV08545	BOLSA DE PIEZAS: 2 CONECTORES DE HILOS, 4 TORNILLOS N.º 8 x 3/8", 9 TORNILLOS CROMADOS N.º 8-10 x 1/2", 1 ABRAZADERA DE HILOS, 10 TORNILLOS MECÁNICOS N.º 8-32 x 1/4"	1	1

* NO SE MUESTRA

REPUESTOS Y REPARACIONES

Para que el aparato esté en buenas condiciones, sólo debe utilizar repuestos Broan-NuTone genuinos. Los repuestos Broan-NuTone genuinos han sido diseñados especialmente para cada aparato, han sido fabricados de conformidad con todas las normas de certificación aplicables y ofrecen un alto nivel de seguridad. El uso de repuestos diferentes puede provocar daños graves y reducir drásticamente el nivel de rendimiento del aparato, lo cual podría causar una avería prematura. Broan-NuTone recomienda ponerse en contacto con un almacén de servicio certificado para todos los repuestos y reparaciones.

25. GARANTÍA

Garantía limitada DE CINCO AÑOS PARA PRODUCTOS BEST®

Periodo de garantía y exclusiones: Broan-NuTone LLC (la «Compañía») garantiza al consumidor quien compra su producto («Usted») que el producto (el «Producto») será libre de defectos importantes de fabricación y de materiales por una duración de cinco (5) años a partir de la fecha de compra (o por una duración más larga si la ley aplicable lo exige) o un periodo de dos (2) años a partir de la fecha de prestación de un servicio sobre el Producto.

El periodo de garantía limitada para las piezas de repuesto proporcionadas por la Compañía y los Productos reparados o reemplazados bajo esta garantía limitada será el resto del periodo de garantía original (o un periodo más largo si la ley aplicable lo exige).

ESTA GARANTÍA EXCLUYE LOS ARRANCADORES DE LÁMPARAS FLUORESCENTES, LOS TUBOS, LAS BOMBILLAS, LOS FUSIBLES, LOS FILTROS, LOS CONDUCTOS, LAS TAPAS PARA TECHO, LAS TAPAS PARA PARED Y LOS OTROS ACCESORIOS PARA CONDUCTOS. También excluye: a) el mantenimiento normal, b) el uso y desgaste normales, c) los productos y las piezas que han sido objeto de un uso indebido, anormal o negligente, un maltrato, un accidente, un mantenimiento, almacenamiento o reparación inadecuados (excepto en caso de reparación por la Compañía), d) los daños causados por una instalación inadecuada, o por una instalación o un uso contrario a las recomendaciones o instrucciones, e) los daños causados por el contacto con el aire salino, f) los daños que ocurran durante el transporte, g) el desgaste normal del acabado, h) los Productos que son objeto de un uso comercial o no residencial, i) los daños causados por el fuego, una inundación u otro desastre natural o j) los Productos a los cuales se les haya alterado, desfigurado o removido el número de serie. Esta garantía solo cubre los Productos vendidos a consumidores de Norteamérica.

Esta garantía substituye todas las garantías anteriores y, sin perjuicio de la ley aplicable, no se puede transferir por el comprador original.

Ninguna otra garantía: Esta garantía limitada enuncia la única obligación de la Compañía y el único recurso que tiene Usted en cuanto a los Productos defectuosos. Las garantías enunciadas arriba son exclusivas y se anteponen a todas las otras garantías y condiciones, ya sean expresas o implícitas. **EN LA MEDIDA MÁXIMA EN QUE LO PERMITA LA LEY APLICABLE, LA COMPAÑÍA RENUNCIA A TODAS LAS OTRAS GARANTÍAS Y CONDICIONES EXPRESAS O IMPLÍCITAS POR LA LEY Y LAS EXCLUYE, INCLUYENDO, ENTRE OTRAS, LAS GARANTÍAS DE COMERCIALIZACIÓN Y LAS DE IDONEIDAD PARA UN PROPÓSITO PARTICULAR.** En la medida en que la ley aplicable prohíba la exclusión de las garantías o condiciones implícitas, la duración de cualquier garantía o condición implícita aplicable se limita al periodo indicado para la garantía expresa mencionada arriba. Ciertas jurisdicciones (incluyendo a veces la provincia de Quebec o ciertos estados de los Estados Unidos) prohíben la restricción de la duración de las garantías implícitas, así que la restricción mencionada arriba podría no aplicarse a Usted. Las descripciones orales o escritas del Producto tienen como único propósito identificar al Producto y no se deben interpretar como una garantía expresa.

Cuando sea posible, cada disposición de esta garantía limitada se debe interpretar de manera que tenga plena validez y efectos legales bajo la ley aplicable, pero en el caso de que se declare prohibida o nula una disposición, ésta será nula solo en la medida en que lo prevea esta prohibición o nulidad, sin efecto para los otros elementos de esta disposición o las otras disposiciones de esta garantía limitada.

Recurso: Durante el periodo de garantía limitada aplicable, la Compañía, según su criterio, proporcionará piezas de repuesto o servicios de reparación o reemplazo sin cargo alguno para cualquier Producto o pieza de Producto, en la medida en que la Compañía constata a) que esta garantía cubre este Producto o esta pieza bajo un uso y mantenimiento normales y b) que la garantía queda incumplida. La Compañía le enviará el Producto reparado, el producto de reemplazo o las piezas de repuesto sin cargo alguno. Usted tendrá que pagar todos los costos de desinstalación, reinstalación y envío así como los otros cargos de transporte relacionados con el envío del Producto o la pieza a la Compañía. Si Usted debe enviar el Producto o la pieza a la Compañía, conforme a las instrucciones de la misma, Usted tendrá que empaquetar el Producto o la pieza correctamente; la Compañía no es responsable de los daños que ocurran durante el transporte. La Compañía se reserva el derecho de utilizar Productos o piezas reacondicionados, renovados, reparados o remanufacturados para la reparación o el reemplazo bajo esta garantía. Estos Productos y piezas serán comparables en cuanto a la función y el rendimiento con el Producto o la pieza original y serán garantizados por la duración restante del periodo de garantía original (o por una duración más larga si la ley aplicable lo exige). La Compañía se reserva el derecho, según su exclusivo criterio, de reembolsar el monto que Usted haya realmente pagado por el Producto. Si el Producto o la pieza ya no está disponible, la Compañía puede, según su exclusivo criterio, reemplazarlo con un producto similar de valor igual o superior. Esto constituye su único y exclusivo recurso en caso de incumplimiento de esta garantía limitada.

Exclusión de los daños: LA OBLIGACIÓN DE LA COMPAÑÍA DE PROPORCIONAR PIEZAS DE REPUESTO O DE REPARAR O REEMPLAZAR EL PRODUCTO, SEGÚN SU CRITERIO, ES EL ÚNICO Y EXCLUSIVO RECURSO QUE TIENE USTED BAJO ESTA GARANTÍA LIMITADA Y LA ÚNICA OBLIGACIÓN DE LA COMPAÑÍA. ÉSTA NO SERÁ RESPONSABLE DE LOS DAÑOS INCIDENTALES, INDIRECTOS, CONSECUENTES O ESPECIALES CAUSADOS DIRECTAMENTE O INDIRECTAMENTE POR EL PRODUCTO, SU USO O SU RENDIMIENTO.

Puesto que ciertas jurisdicciones prohíben la exclusión o restricción de los daños incidentales o consecuentes, la exclusión o restricción mencionada arriba podría no aplicarse a Usted. Esta garantía le otorga derechos legales específicos, y Usted también podría tener otros derechos, los cuales pueden ser diferentes según la jurisdicción. Las renunciaciones, exclusiones y restricciones de responsabilidad bajo esta garantía no se aplican en la medida en que lo prohíba la ley aplicable. Esta garantía solo cubre el reemplazo o la reparación de las piezas o los Productos defectuosos al sitio de negocio principal de la Compañía; los gastos de viaje y estancia relacionados con los servicios de campo están excluidos. Cualquier asistencia proporcionada u obtenida para Usted por la Compañía y que no está cubierta por las condiciones, restricciones o exclusiones de esta garantía limitada no constituye una renuncia a estas condiciones, restricciones y exclusiones, y la prestación de dicha asistencia no prolongará o restablecerá la garantía.

La Compañía no le reembolsará los gastos que Usted haya hecho por la reparación o el reemplazo de un Producto defectuoso, excepto si Usted ha previamente recibido el permiso escrito de la Compañía por ellos.

Cómo obtener el servicio de garantía: Para tener derecho al servicio de garantía, Usted debe a) informar la Compañía a la dirección o al número de teléfono escrito aquí abajo dentro de siete (7) días después de que haya descubierto el defecto cubierto, b) dar el número de serie y los datos de identificación de la pieza y c) describir la naturaleza de cualquier defecto del Producto o de la pieza. Cuando solicite el servicio de garantía, Usted tiene que presentar una prueba de la fecha de compra original. Si no puede proporcionar una copia de la versión escrita original de la garantía limitada, las condiciones de la versión más reciente de la garantía limitada de la Compañía para su producto se aplicarán.

ESPECIFICACIONES DEL PRODUCTO

Todas las ilustraciones y las especificaciones en este catálogo están establecidas según la información que era la más reciente en el momento en cual fue producido. Broan-NuTone LLC y BEST® se reservan el derecho de cambiar, en cualquier momento y sin previo aviso, los precios, colores, materiales, productos, especificaciones y modelos y el lugar de fabricación, así como de parar la producción de un modelo o producto.

Best

Broan-NuTone, LLC: 926 W. State Street, Hartford, WI 53207 1 800 637-1453

Best®, 550, boul. Lemire, Drummondville (Québec), Canada (1 866 737-7770) www.bestrangehoods.com