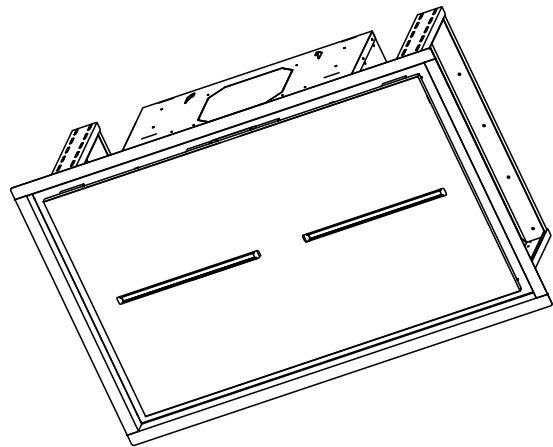




Ceiling Hoods

HBC1 Series

INSTALLATION, USE & CARE INSTRUCTIONS



Serial number:



Safety **3-4**

Installation **5-11**

 Recommended Tools and Accessories. 5

 Hood Specifications. 5

 Install the Ductwork. 6

 Blower Outlet Position. 6

 Prepare the Ceiling Opening and the Hood Support. 7

 Install the Hood. 8

 Prepare the Hood for Wiring Connection and Blower Installation. 8

 Wiring. 9

 Blower Installation. 10-11

 External Blower Programming Procedure. 11

Operation **12**

Maintenance and Cleaning **13**

 Grease Filters

 Stainless Steel Cleaning

Service Parts **14**

Warranty **15**



To register your product, please visit our website:
In the United States - BestRangeHoods.com
In Canada - BestRangeHoods.ca

For Technical Support, call:
In the United States - 800-558-1711
In Canada - 800-567-3855

Installer: Leave this manual with the homeowner.
READ AND SAVE THESE INSTRUCTIONS

⚠ Intended for domestic cooking only ⚠

⚠ WARNING



TO REDUCE THE RISK OF FIRE, ELECTRIC SHOCK, OR INJURY TO PERSONS, OBSERVE THE FOLLOWING:



- Use this unit only in the manner intended by the manufacturer. If you have questions, contact the manufacturer at the address or telephone number listed in the warranty.
- Before servicing or cleaning unit, switch power off at service panel and lock the service disconnecting means to prevent power from being switched on accidentally. When the service disconnecting means cannot be locked, securely fasten a prominent warning device, such as a tag, to the service panel.
- Installation work and electrical wiring must be done by qualified person(s) in accordance with all applicable codes and standards, including fire-rated construction codes and standards.
- Sufficient air is needed for proper combustion and exhausting of gases through the flue (chimney) of fuel burning equipment to prevent backdrafting. Follow the heating equipment manufacturer's guidelines and safety standards such as those published by the National Fire Protection Association (NFPA), and the American Society for Heating, Refrigeration and Air Conditioning Engineers (ASHRAE), and the local code authorities.
- When cutting or drilling into wall or ceiling, do not damage electrical wiring and other hidden utilities.
- Ducted fans must always be vented to the outdoors.
- Do not use this unit with any separate solid-state speed control device.
- To reduce the risk of fire, use only metal ductwork.
- This unit must be grounded.
- When installing, servicing or cleaning the unit, it is recommended to wear safety glasses and gloves.
- When applicable local regulations comprise more restrictive installation and/or certification requirements, the aforementioned requirements prevail on those of this document and the installer agrees to conform to these at his own expense.

⚠ WARNING



TO REDUCE THE RISK OF A RANGE TOP GREASE FIRE:

- A. Never leave surface units unattended at high settings. Boilovers cause smoking and greasy spillovers that may ignite. Heat oils slowly on low or medium settings.
- B. Always turn hood ON when cooking at high heat or when flambing food (i.e. Crepes Suzette, Cherries Jubilee, Peppercorn Beef Flambé).
- C. Clean ventilating fans frequently. Grease should not be allowed to accumulate on fan or filter.
- D. Use proper pan size. Always use cookware appropriate for the size of the surface element.

TO REDUCE THE RISK OF INJURY TO PERSONS IN THE EVENT OF A RANGE TOP GREASE FIRE, OBSERVE THE FOLLOWING:*

1. SMOTHER FLAMES with a close-fitting lid, cookie sheet, or metal tray, then turn off the burner. BE CAREFUL TO PREVENT BURNS. If the flames do not go out immediately, EVACUATE AND CALL THE FIRE DEPARTMENT.
2. NEVER PICK UP A FLAMING PAN - You may be burned.
3. DO NOT USE WATER, including wet dishcloths or towels - This could cause a violent steam explosion.
4. Use an extinguisher ONLY if:
 - A. You know you have a Class ABC extinguisher and you already know how to operate it.
 - B. The fire is small and contained in the area where it started.
 - C. The fire department has been called.
 - D. You can fight the fire with your back to an exit.

* Based on "Kitchen Fire Safety Tips" published by NFPA.

⚠ CAUTION

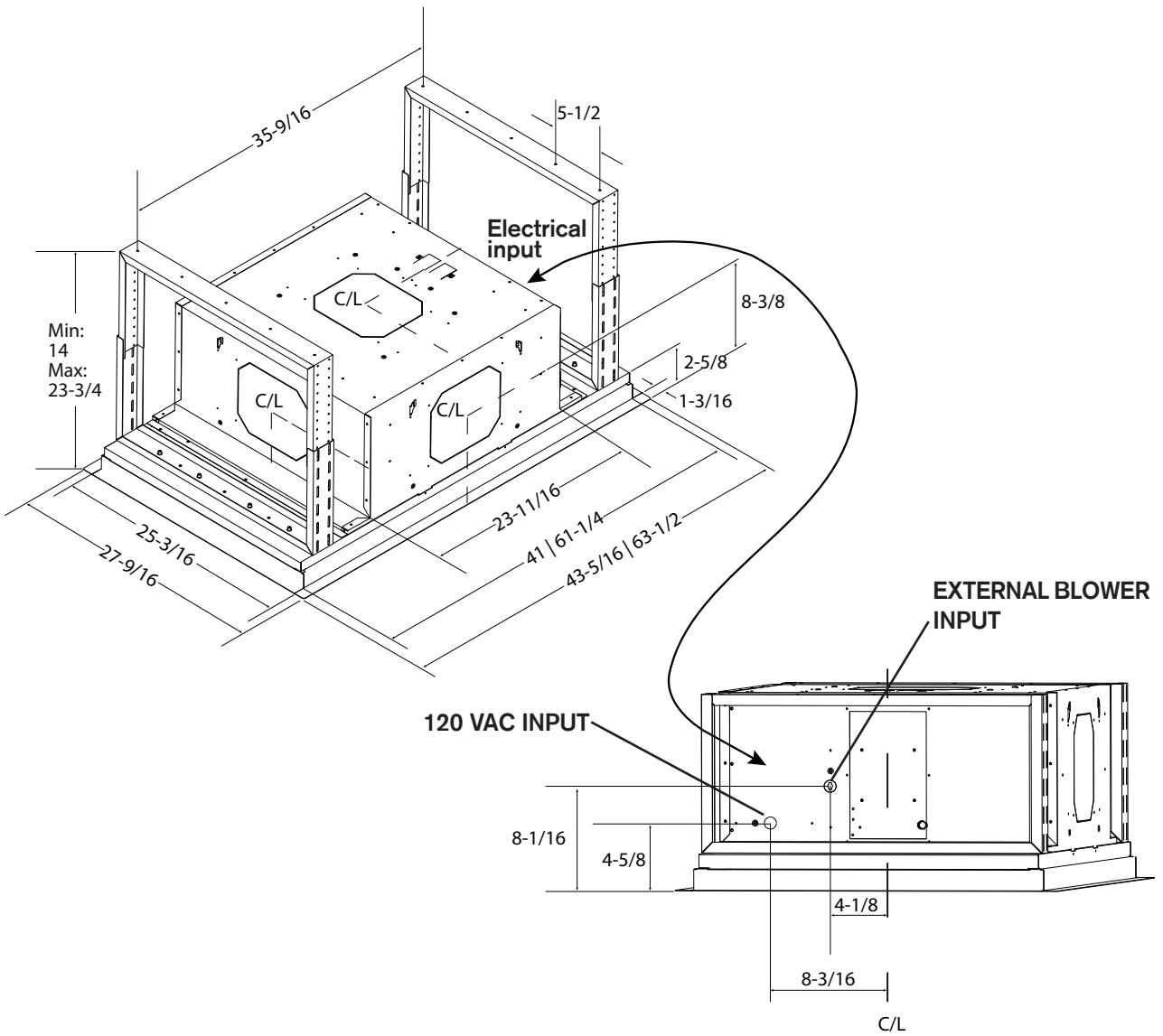


- For indoor residential use only.
- To reduce risk of fire and to properly exhaust air, be sure to duct air outside. Do not vent exhaust air into spaces within walls or ceilings or into attics, crawl spaces, or garages.
- Take care when using cleaning agents or detergents.
- Avoid using food products that produce flames under the range hood.
- For general ventilating use only. Do not use to exhaust hazardous or explosive materials and vapors.
- To avoid motor bearing damage and noisy and/or unbalanced impellers, keep drywall spray, construction dust, etc. off power unit.
- Your hood motor has a thermal overload which will automatically shut off the motor if it becomes overheated. The motor will restart when it cools down. If the motor continues to shut off and restart, have the hood serviced.
- The bottom of the hood MUST NOT BE LESS than 48" and recommended at a maximum of 84" above the cooktop for best capture of cooking impurities.
- Please read specification label on product for further information and requirements.

RECOMMENDED TOOLS AND ACCESSORIES

- Measuring tape
- Phillips screwdriver no. 2
- Nut driver or socket 3/8"
- Flat blade screwdriver (to open knockout holes)
- Saw
- Sheet metal shears
- Pliers
- Metal foil duct tape
- Scissors (to cut metal foil duct tape)
- Pencil
- Wire stripper
- Strain relief(s), 7/8" diameter (one to secure house wiring cable to the hood and another one to secure external blower cable to the hood)
- Drill and 1/8" drill bit

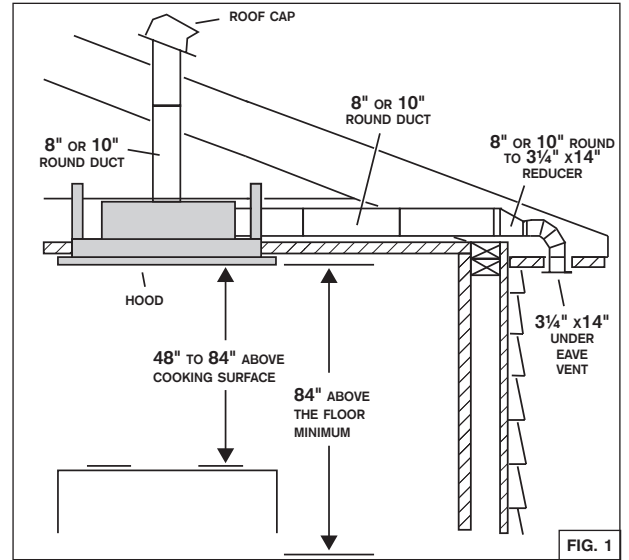
HOOD SPECIFICATIONS



INSTALL THE DUCTWORK

NOTE: To reduce the risk of fire, use only metal ductwork.

1. Decide where the ductwork will run between the insert and the outside (FIG. 1).
2. Choose desired blower outlet position (FIG. 2).
3. A straight, short duct run using 8" round damper (included with blower kit) for single internal blower and 10" round damper (included with the hood) for all other blower types will allow the hood to perform most efficiently.
4. Long duct runs, elbows and transitions will reduce the performance of the hood. Use as few of them as possible.
5. Install wall cap or roof cap (sold separately). Connect metal ductwork to cap and work back towards the hood location. Use 2" foil duct tape to seal the joints between ductwork sections.



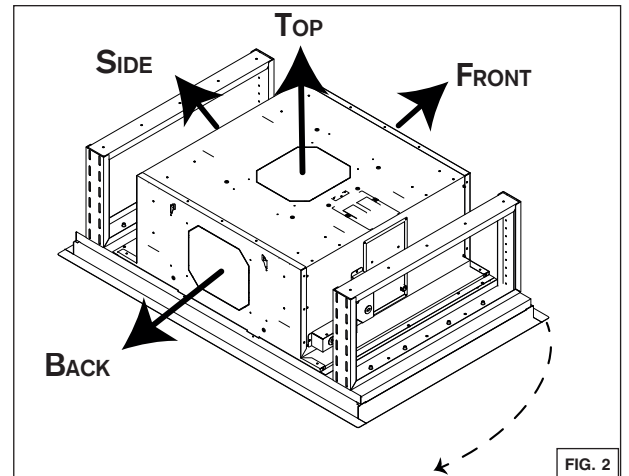
BLOWER OUTLET POSITION

There are four (4) possible outlet positions:

- Top
- Front
- Back
- Side

The damper can be installed on the housing prior to install the hood in the ceiling with Side and Top outlet positions only.

In the case of Front and Back outlet positions, the damper has to be installed on the housing once the hood is installed in the ceiling.



10" damper included with the hood needs to be used for all exterior blower setup and internal blower PM12. With external blower, ducting is to be connected directly on the damper (no rough-in plate required).

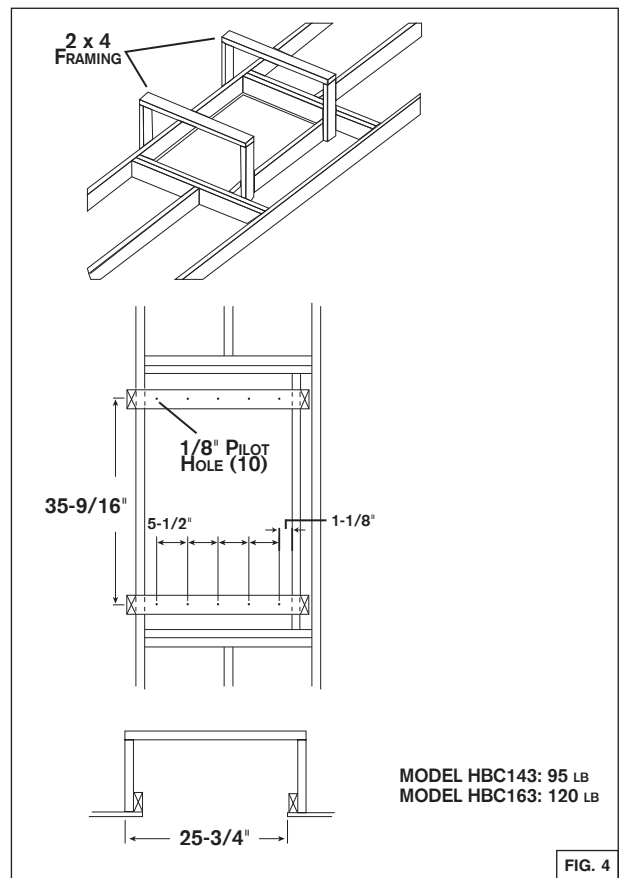
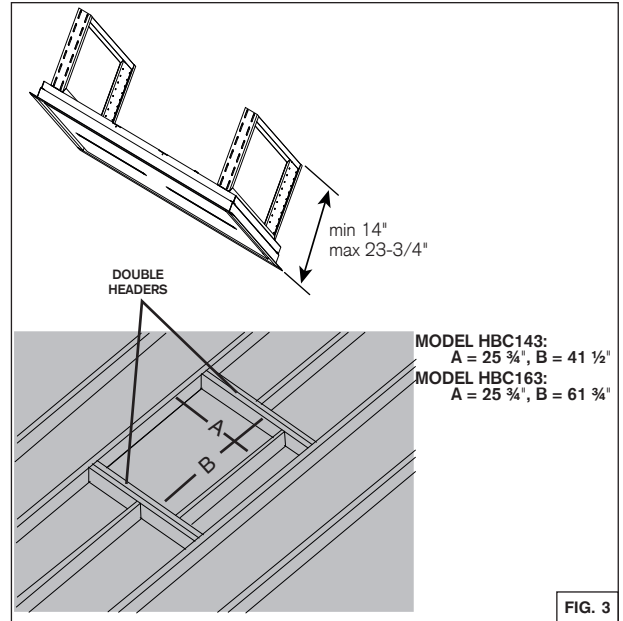
8" damper is needed only with PM6 internal blower. It is included in the PM6 blower kit.

PREPARE THE CEILING OPENING AND THE HOOD SUPPORT

CAUTION
 Ducting through side/front/back may have restrictions. Please take support frame into consideration and leave enough space between support frame and the ducting chosen. Refer to Hood Specifications section for hood dimensions and ducting position.

NOTE: Support frame shown in this document is only an example. Follow local building code as required.

The hood should always be centered over the cooktop. Make sure there is adequate space in the ceiling structure to install the hood and ductwork. The bottom of the hood MUST NOT BE LESS than 48" and recommended at a maximum of 84" above the cooktop for best capture of cooking impurities. Construct a wood framing suitable for your installation (ex. shown in FIG.3 and 4). Refer to Hood Specifications section at page 5 for more details. The structure must be capable of supporting its own weight plus the weight of the hood.

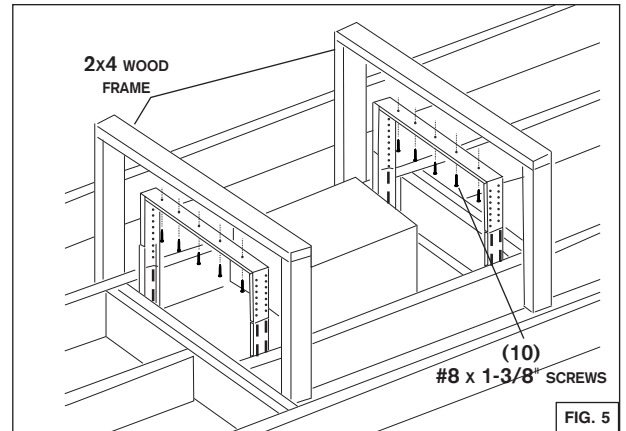


INSTALL THE HOOD

CAUTION

At least three installers are recommended because of the large size and weight of this range hood.

1. Adjust height of the telescoping support frame to ensure a tight fit between the hood and finished ceiling. The telescoping support frame height must be the same as the wood support height.
2. Lift range hood into the ceiling opening.
3. Secure each support frame to the wooden hood support frame using 10 # 8 x 1-3/8" screws provided. See FIG. 5.
4. Connect ductwork. Duct tape all joints to ensure an air tight seal.
5. Make all needed electrical connections. See WIRING section.

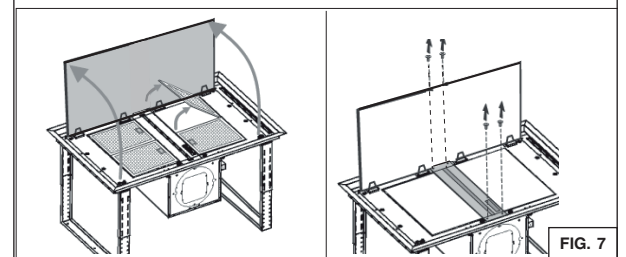
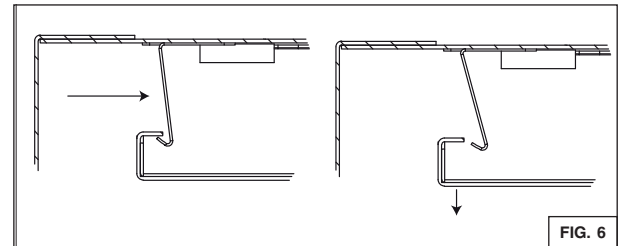


PREPARE THE HOOD FOR WIRING CONNECTION AND BLOWER INSTALLATION

1. Push in lock tabs (2) on the ends of perimeter panel. See FIG. 6.
2. Open the panel and remove the mesh filters. See FIG. 7.
3. To ease access for blower installation, remove the central panel by unscrewing the 3/16 x 1/4" screws. See FIG. 7.

CAUTION

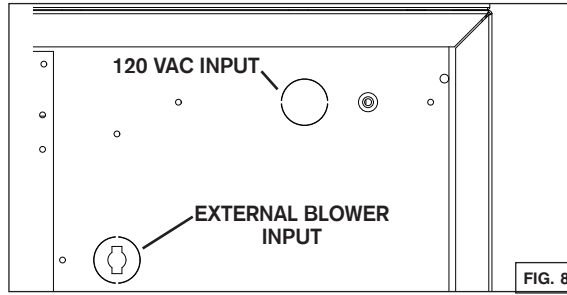
Re-install the aluminum mesh filters and central panel as needed (See FIG. 7). Make sure lock tabs are back in place once installation is done (See FIG. 6).



WIRING

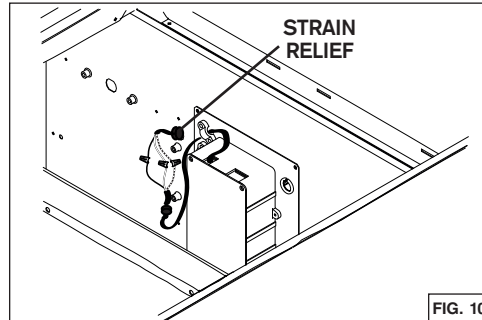
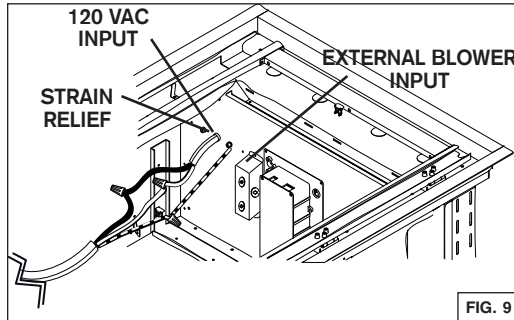
⚠ WARNING

Risk of electric shock. Electrical wiring must be done by qualified personnel in accordance with all applicable codes and standards. Before connecting wires, switch power off at service panel and lock service disconnecting means to prevent power from being switched on accidentally.



Home Power Wiring

1. Locate home power junction box (see FIG. 8 and 9) then remove the junction box cover.
2. Install a UL approved 7/8" strain relief (not included) on the house power cable. Run the power cable in the housing then use the strain relief to secure it.
3. Connect power cable using included wire connectors. Connect BLACK to BLACK, WHITE to WHITE and GREEN or BARE WIRE to GREEN. DO NOT FORGET TO CONNECT THE GROUND. See FIG. 9.



4. Reinstall the junction box cover. Make sure all wires are inside the junction box cover.

External Blower Wiring

1. Locate external blower junction box (see FIG. 8 and 10) then remove the junction box cover. Remove the knock-out from the housing. See FIG. 8 for knock-out position. Remove wire protection.
2. Install a UL approved 7/8" strain relief (not included) on the external blower cable. Run the external blower cable in the housing then use the strain relief to secure it.
3. Connect external blower cable using included wire connectors. Connect BLACK to BLACK, WHITE to WHITE and GREEN or BARE WIRE to GREEN. DO NOT FORGET TO CONNECT THE GROUND. See FIG. 10.
4. Reinstall the junction box cover. Make sure all wires are inside the junction box cover.

CAUTION

Take care not to pinch wires while reinstalling wiring cover.

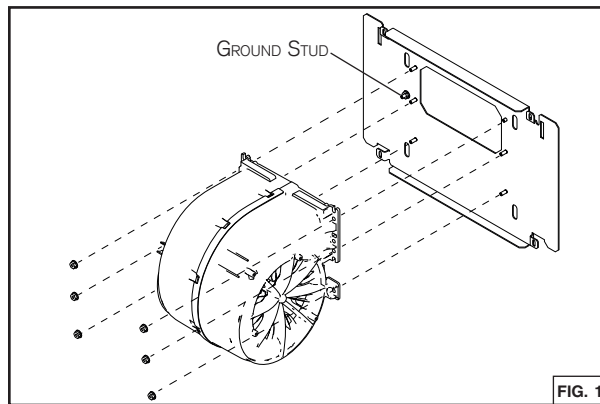
BLOWER INSTALLATION

This hood is compatible with the following blowers. Select a blower model among these: internal blower - PM6 or PM12, exterior blower - EB9 or EB15, in-line blower - ILB6, ILB9 or ILB11. For exterior and in-line blowers, refer to the installation instructions provided with the blower for more details.

NOTE: Rough-in plate included with exterior blower kit is not needed for ceiling hood application.

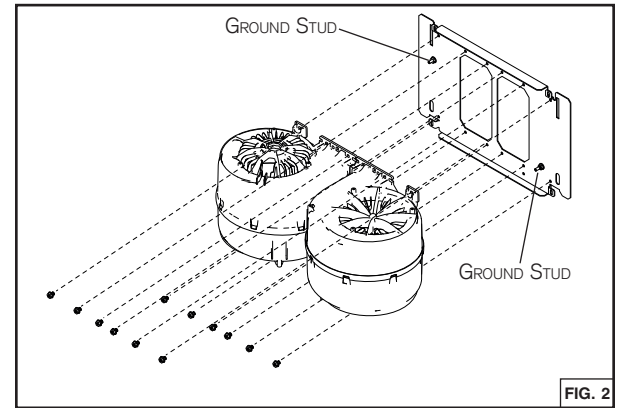
PM6 OR PM12 BLOWER INSTALLATION

PM6 Blower Plate Installation



1. Attach blower to mounting plate with (6) 10-24 Hex Nuts (included).
2. Attach ground wire from blower to ground stud with (1) 10-24 Hex Nut (included).

PM12 Blower Plate Installation

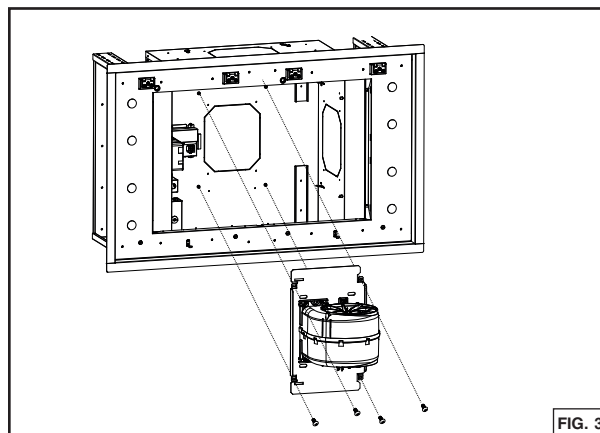


1. Attach blowers to mounting plate with (12) 10-24 Hex Nuts (included).
2. Attach ground wires from blowers to ground studs with (2) 10-24 Hex Nut (included).

NOTES: There are four (4) possible outlet positions for PM6 and PM12: top, front, back and side. Remove selected knock-out from the housing prior to install blower in the hood. The blower can be installed before or after hood installation in the ceiling. However, it is easier to install the hood in the ceiling without internal blower installed. The damper can be installed on the housing prior to install the hood in the ceiling with Side and Top outlet positions only. Otherwise, install the damper once the hood is mounted in the ceiling. Position the damper on the exterior of the hood using 8-18 screws (included).

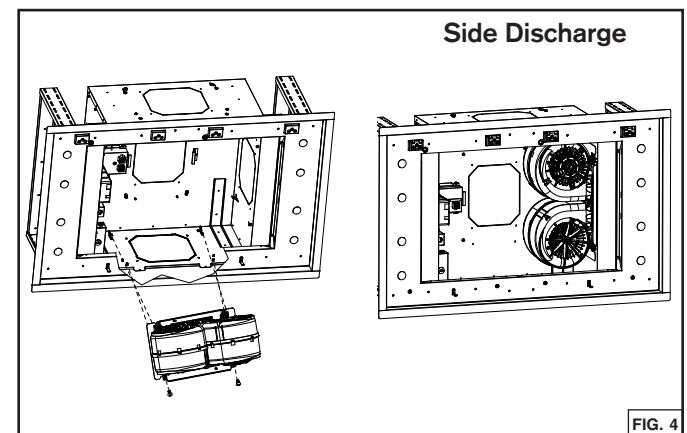
10" damper (included with the hood) when using PM12, 8" damper (included with PM6 blower kit) when using PM6.

Top Discharge Blower Installation (PM6 shown in FIG. 3 & 5). Follow same method for PM12.



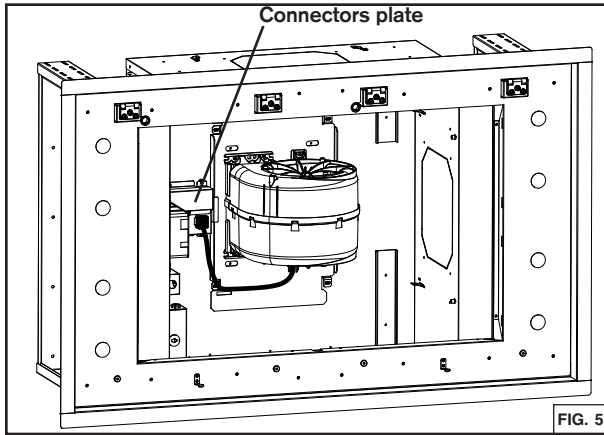
1. Attach blower plate to hood with (4) 10-24 screws (included) as illustrated above.

Front/Back Discharge Blower Installation (PM12 Front shown in FIG. 4 & 6). Follow same method for Side Discharge and when using PM6 blower.



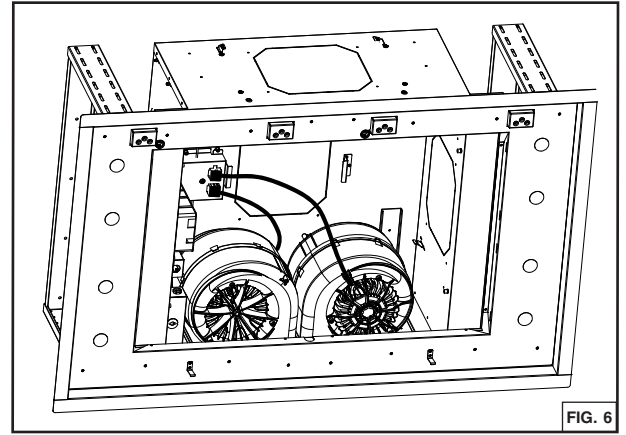
1. Attach blower plate to hood by inserting the hooks in the slots and using (2) 10-24 screws (included) as illustrated above.

PM6 Blower Connection



1. Swivel the connectors plate to unhide a connector.
2. Plug the blower power cord in the connector as illustrated above.

PM12 Blowers Connection



1. Remove the connectors plate.
2. Plug each blower power cord in a connector as illustrated above.

Service parts:

BLOWER (1) 600 CFM: S97021509
 ADAPTER/DAMPER 8" ROUND: SV08543

EXTERNAL BLOWER PROGRAMMING PROCEDURE

This range hood is designed to work with several different blower models. Before using the hood, the control must first be programmed for your blower model in order to achieve proper operating speed:

1. Find the SETUP number that corresponds to the blower model that is installed with your range hood.

SETUP 1	SETUP 2	SETUP 3 (by default)
ILB6	EB15	EB9
	ILB9	ILB11

NOTE: If no button is touched for more than 3 seconds while the hood is in programming mode, the hood will exit the programming mode without saving the changes.

2. There must be power to the hood but the blower and lights must be turned off.
3. To change the setup, press and hold **BLOWER** and **LIGHT** buttons simultaneously for 6 seconds and release, then:
 - To set the range hood at **SETUP 1**, press **BLOWER** button until button **1** alone lights up.
 - To set the range hood at **SETUP 2**, press **BLOWER** button until both buttons **1** and **2** light up.
4. Press **DELAY OFF** button to save and leave programming mode.
5. If needed, verify which setting the hood is currently in. To do so:
 - Press and hold **BLOWER** and **LIGHT** buttons simultaneously for 6 seconds and release. Different combinations of **SPEED** buttons (**1 to 4**) will turn ON for 3 seconds, depending on the setting.
 - If set at **SETUP 3**, **SPEED** buttons **1, 2, 3 and 4** will light up.
 - If set at **SETUP 2**, **SPEED** buttons **1 and 2** will light up.
 - If set at **SETUP 1**, **SPEED** button **1** will light up.

NOTE: To reset to default, press and hold **BLOWER** and **LIGHT** buttons simultaneously for 6 seconds and release. Different combinations of **SPEED** buttons (**1 to 4**) will turn ON for 3 seconds. Press and hold **LIGHT** button for 3 seconds then **SPEED** buttons will flash 3 times. Setting is back to original status.

CONTROL



DELAY OFF BUTTON

When activated, the icon lights up and blower current speed remains active for 10 min, then the blower turns off. Blower speed can be changed within the 10 min delay.

To deactivate the delay off function, press on the delay off button.

BLOWER BUTTON

When activated, the icon lights up and the blower turns on at the last saved speed. If there was no speed saved, the blower will be set at speed 1.

To change the blower speed, press on the desired speed button 1, 2, 3 or 4. The current speed button will light up.

To turn off the blower, press on the blower button or press on the current speed button activated.

LIGHT BUTTON

When activated, the icon lights up as well as the dot(s) at the right of the icon that represent(s) the light intensity. By pressing once on the icon, the first dot will light on. By pressing twice on the icon, the first and the second dots will light on. By pressing three times on the icon, all three dots will light on.

To turn off the light, press a fourth time on the button.

NOTE: A remote control is included with the hood. See instructions included with the remote control for more details.

MAINTENANCE

ALWAYS SWITCH OFF THE ELECTRICITY SUPPLY BEFORE CARRYING OUT ANY OPERATIONS ON THE APPLIANCE.

Grease Filters

The grease filters should be cleaned frequently. Use a warm dishwashing detergent solution. Grease filters are dishwasher safe.

Clean the filters in the dishwasher using a non-phosphate detergent. Discoloration of the filters may occur if using phosphate detergents, or as a result of local water conditions - but this will not affect filter performance. This discoloration is not covered by the warranty. To minimize or prevent discoloration, hand wash filters using a mild detergent.

Motor

The motor is permanently lubricated and never needs oiling. If the motor bearings make excessive or unusual noise, replace the motor with the exact service motor. The impeller should also be replaced.

STAINLESS STEEL CLEANING

Do:

- Regularly wash with clean cloth or rag soaked with warm water and mild soap or liquid dish detergent.
- Always clean in the direction of original polish lines.
- Always rinse well with clear water (2 or 3 times) after cleaning. Wipe dry completely.
- You may also use a specialized household stainless steel cleaner.

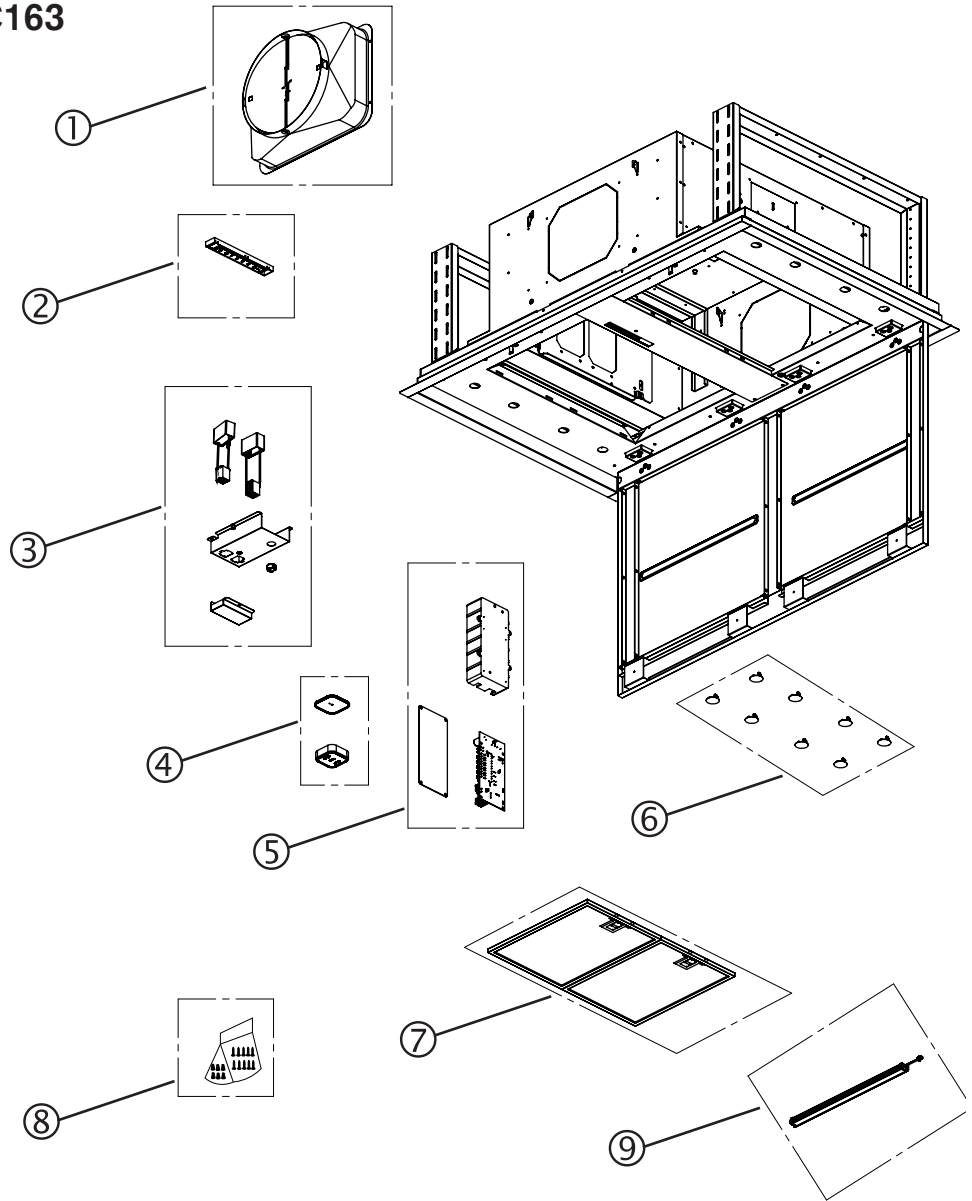
Don't:

- Use any steel or stainless steel wool or any other scrapers to remove stubborn dirt.
- Use any harsh or abrasive cleansers.
- Allow dirt to accumulate.
- Let plaster dust or any other construction residues reach the unit. During construction/renovation, cover the unit to make sure no dust sticks to the stainless steel surface.

Avoid when choosing a detergent:

- Any cleaners that contain **bleach** will attack stainless steel.
- Any products containing: **chloride, fluoride, iodide, bromide** will deteriorate surfaces rapidly.
- Any combustible products used for cleaning such as **acetone, alcohol, ether, benzol**, etc., are highly explosive and should never be used close to a range.

HBC143, HBC163



INSTALLATION, USE & CARE INSTRUCTIONS

SERVICE PARTS

KEY NO.	PART NUMBER	DESCRIPTION	QTY.
1	S1106832	10" ROUND ADAPTOR WITH DAMPER	1
2	S1106831	USER INTERFACE	1
3	S1106829	CAPACITOR ASSEMBLY	1
4	S1106833	REMOTE CONTROL KIT	1
5	S1106828	POWER UNIT ASSEMBLY	1
6	S1106836	PLASTIC CAP (8)	1
7	S1106835	FILTERS (SET OF 2)	1
8	S1106834	PARTS BAG (6 WIRE NUTS AND 10 SCREWS)	1
9	S1106827	LED MODULE (1)	1



Limited Warranty

Warranty Period and Exclusions: Broan-NuTone LLC (the "Company") warrants to the original consumer purchaser of its product ("you") that the product (the "Product") will be free from material defects in the materials or its workmanship for a period of five (5) years from the date of original purchase (or such longer period as may be required by applicable law) or a period of two (2) years from the date of service for any labor provided on the Product. The limited warranty period for any replacement parts provided by the Company and for any Products repaired or replaced under this limited warranty shall be the remainder of the original warranty period (or such longer period as may be required by applicable law).

THIS WARRANTY DOES NOT COVER FLUORESCENT LAMP STARTERS, TUBES AND BULBS, FUSES, FILTERS, DUCTS, ROOF CAPS, WALL CAPS AND OTHER ACCESSORIES FOR DUCTING. This warranty does not cover (a) normal maintenance and service, (b) normal wear and tear, (c) any Products or parts which have been subject to misuse, abuse, abnormal usage, negligence, accident, improper or insufficient maintenance, storage or repair (other than repair by the Company), (d) damage caused by faulty installation, or installation or use contrary to recommendations or instructions, (e) any Product that has been moved from its original point of installation, (f) damage caused by exposure to salt air, (g) damage in transit, (h) natural wear of finish, (i) Products in commercial or nonresidential use, or (j) damage caused by fire, flood or other act of God or (k) Products with altered, defaced or removed serial numbers. This warranty covers only Products sold to consumers in North America.

This warranty supersedes all prior warranties and, subject to applicable law, is not transferable from the original consumer purchaser.

No Other Warranties: This Limited Warranty contains the Company's sole obligation and your sole remedy for defective products. The foregoing warranties are exclusive and in lieu of any other warranties and conditions, express or implied. **TO THE MAXIMUM EXTENT PERMITTED BY APPLICABLE LAW, THE COMPANY DISCLAIMS AND EXCLUDES ALL OTHER EXPRESS WARRANTIES AND CONDITIONS, AND DISCLAIMS AND EXCLUDES ALL WARRANTIES AND CONDITIONS IMPLIED BY LAW, INCLUDING WITHOUT LIMITATION THOSE OF MERCHANTABILITY AND FITNESS FOR A PARTICULAR PURPOSE.** To the extent that applicable law prohibits the exclusion of implied warranties or conditions, the duration of any applicable implied warranty or condition is limited to the period specified for the express warranty above. Some jurisdictions (which may include the Province of Québec or specific US states) do not allow limitations on how long an implied warranty lasts, so the above limitation may not apply to you. Any oral or written description of the Product is for the sole purpose of identifying it and shall not be construed as an express warranty.

Whenever possible, each provision of this Limited Warranty shall be interpreted in such manner as to be effective and valid under applicable law, but if any provision is held to be prohibited or invalid, such provision shall be ineffective only to the extent of such prohibition or invalidity, without invalidating the remainder of such provision or the other remaining provisions of the Limited Warranty.

Remedy: During the applicable limited warranty period, the Company will, at its option, provide replacement parts for, or repair or replace, without charge, any Product or part thereof, to the extent the Company finds it to be covered by and in breach of this limited warranty under normal use and service. The Company will ship the repaired or replaced Product or replacement parts to you at no charge. You are responsible for all costs for removal, reinstallation and shipping, insurance or other freight charges incurred in the shipment of the Product or part to the Company. If you must send the Product or part to the Company, as instructed by the Company, you must properly pack the Product or part—the Company is not responsible for damage in transit. The Company reserves the right to utilize reconditioned, refurbished, repaired or remanufactured Products or parts in the warranty repair or replacement process. Such Products and parts will be comparable in function and performance to an original Product or part and warranted for the remainder of the original warranty period (or such longer period as may be required by applicable law).

Company reserves the right, in its sole discretion, to refund the money actually paid by you for the Product. If the Product or component is no longer available, replacement may be made with a similar product of equal or greater value, at Company's sole discretion. This is your sole and exclusive remedy for breach of this limited warranty.

Exclusion of Damages: THE COMPANY'S OBLIGATION TO PROVIDE REPLACEMENT PARTS, OR REPAIR, REPLACE OR REFUND, AT THE COMPANY'S OPTION, SHALL BE YOUR SOLE AND EXCLUSIVE REMEDY UNDER THIS LIMITED WARRANTY AND THE COMPANY'S SOLE AND EXCLUSIVE OBLIGATION. THE COMPANY SHALL NOT BE LIABLE FOR INCIDENTAL, INDIRECT, CONSEQUENTIAL OR SPECIAL DAMAGES ARISING OUT OF OR IN CONNECTION WITH THE PRODUCT, ITS USE OR PERFORMANCE.

Some jurisdictions do not allow the exclusion or limitation of incidental or consequential damages, so the above limitation or exclusion may not apply to you. This warranty gives you specific legal rights, and you may also have other rights, which vary from jurisdiction to jurisdiction. The disclaimers, exclusions, and limitations of liability under this warranty will not apply to the extent prohibited by applicable law.

This warranty covers only replacement or repair of defective Products or parts thereof at the Company's main facility and does not include the cost of field service travel and living expenses.

Any assistance the Company provides to or procures for you outside the terms, limitations or exclusions of this limited warranty will not constitute a waiver of such terms, limitations or exclusions, nor will such assistance extend or revive the warranty.

The Company will not reimburse you for any expenses incurred by you in repairing or replacing any defective Product, except for those incurred with the Company's prior written permission.

How to Obtain Warranty Service: To qualify for warranty service, you must (a) notify the Company at the address or telephone number stated below within seven (7) days of discovering the covered defect, (b) give the model number and part identification and (c) describe the nature of any defect in the Product or part. At the time of requesting warranty service, you must present evidence of the original purchase date. If you cannot provide a copy of the original written limited warranty, then the terms of the Company's most current written limited warranty for your particular product will control.

PRODUCT SPECIFICATIONS

All illustrations and specifications in this catalog are based on the latest product information available at time of production. Broan-NuTone LLC and Best® reserves the right to make changes at any time, without notice, in prices, colors, materials, specifications and models, place of manufacture and to discontinue models or equipment.

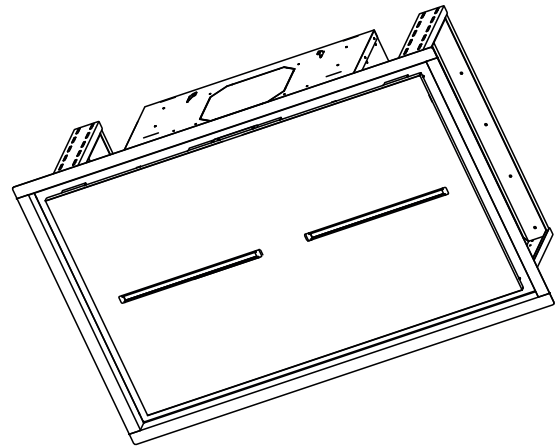
BEST 926 West State Street, Hartford, Wisconsin, USA 53027 BestRangeHoods.com 800-558-1711
BEST 550 Lemire Blvd., Drummondville, Québec, Canada J2C 7W9 BestRangeHoods.ca 800-567-3855



Hottes pour plafond

Série HBC1

DIRECTIVES D'INSTALLATION,
D'UTILISATION ET D'ENTRETIEN



Numéro de série:

Sécurité	18-19
Installation	20-26
Outils et accessoires recommandés	20
Spécifications de la hotte	20
Installation des conduits	21
Position de sortie du ventilateur	21
Préparation de l'ouverture au plafond et du support de la hotte	22
Installation de la hotte	23
Préparation de la hotte pour le branchement et l'installation du ventilateur	23
Branchement	24
Installation du ventilateur	25-26
Procédure de programmation du ventilateur externe	26
Fonctionnement	27
Entretien et nettoyage	28
Filtre(s) à graisses	
Nettoyage de l'acier inoxydable	
Pièces de rechange	29
Garantie	30

Pour enregistrer votre produit, veuillez visiter notre site Internet:
Aux États-Unis - BestRangeHoods.com
Au Canada - BestRangeHoods.ca

Pour de l'assistance technique, veuillez composer le numéro de téléphone suivant:
Aux États-Unis - 800-558-1711
Au Canada - 800-567-3855

Installateur: Laisser ce manuel au propriétaire.

VEUILLEZ LIRE ET CONSERVER CES DIRECTIVES

⚠ Conçu pour usage domestique seulement ⚠

⚠ AVERTISSEMENT



AFIN DE RÉDUIRE LES RISQUES D'INCENDIE, D'ÉLECTROCUTION OU DE BLESSURES CORPORELLES, SUIVEZ LES DIRECTIVES SUIVANTES:

- N'utilisez cet appareil que de la façon prévue par le fabricant. Si vous avez des questions, contactez le fabricant à l'adresse ou au numéro de téléphone indiqués dans la garantie.
- Avant de réparer ou de nettoyer l'appareil, couper l'alimentation électrique en verrouillant le panneau de distribution afin d'éviter sa remise en marche accidentelle. Si le panneau de distribution ne peut être verrouillé, y fixer un avertissement en évidence, telle qu'une étiquette de couleur vive.
- Les travaux d'installation et de raccordement électrique doivent être effectués par une personne qualifiée, conformément aux codes et aux standards de construction, incluant ceux concernant la protection contre les incendies.
- Une quantité d'air adéquate est requise afin d'assurer une bonne combustion et l'évacuation des gaz par la cheminée dans le cas des équipements alimentés au gaz afin de prévenir les retours de cheminée. Conformez-vous aux instructions et aux standards de sécurité des fabricants d'équipement de chauffage, tel qu'ils sont publiés par la National Fire Protection Association (NFPA) et l'American Society for Heating, Refrigeration and Air Conditioning Engineers (ASHRAE) ainsi que les responsables des codes locaux.
- Veillez à ne pas endommager le câblage électrique ou d'autres équipements non apparents lors de la découpe ou du perçage du mur ou du plafond.
- Les ventilateurs avec conduits doivent toujours évacuer l'air à l'extérieur.
- Ne pas utiliser cet appareil avec une commande de vitesse à semi-conducteur additionnelle.
- Afin de réduire les risques d'incendie, n'utilisez que des conduits de métal.
- Cet appareil doit être mis à la terre.
- Il est recommandé de porter des lunettes et des gants de sécurité lors de l'installation, de l'entretien ou de la réparation de cet appareil.
- Lorsqu'une réglementation est en vigueur et qu'elle comporte des exigences d'installation et/ou de certification plus restrictives, lesdites exigences prévalent sur celles de ce document et l'installateur entend s'y conformer à ses frais.

⚠ AVERTISSEMENT



AFIN DE RÉDUIRE LES RISQUES DE FEU DE CUISINIÈRE:

- A. Ne jamais laisser les appareils de cuisson sans surveillance lorsqu'ils sont réglés à feu vif. Les débordements engendrent de la fumée et des déversements graisseux pouvant s'enflammer. Chauffez l'huile lentement, à feu doux ou moyen.
- B. Mettez toujours la hotte en marche lorsque vous cuisinez à feu vif ou que vous cuisinez des mets flambés (par ex. : crêpes Suzette, cerises jubilé, steaks au poivre flambés).
- C. Nettoyez régulièrement la roue du ventilateur. Ne laissez pas la graisse s'accumuler sur le ventilateur, le filtre ou les conduits d'évacuation.
- D. Utilisez le bon format de casserole. Servez-vous toujours de casseroles et d'ustensiles appropriés à la dimension de la surface chauffante.

AFIN DE RÉDUIRE TOUT RISQUE DE BLESSURES LORS D'UN FEU DE CUISINIÈRE, SUIVEZ CES DIRECTIVES* :

1. ÉTOUFFEZ LES FLAMMES avec un couvercle hermétique, une tôle à biscuits ou un plateau métallique et ensuite, éteignez le brûleur. PRENEZ SOIN D'ÉVITER les brûlures. SI LES FLAMMES NE S'ÉTEIGNENT PAS IMMÉDIATEMENT, ÉVACUEZ LES LIEUX ET APPELEZ LES POMPIERS.
2. NE PRENEZ JAMAIS UNE CASSEROLE EN FLAMMES DANS VOS MAINS.
Vous pourriez vous brûler.
3. N'UTILISEZ PAS D'EAU, incluant un linge à vaisselle ou une serviette mouillée, cela pourrait occasionner une violente explosion de vapeur.
4. N'utilisez un extincteur QUE DANS LE CAS OÙ :
 - A. Vous possédez un extincteur de classe ABC et vous en connaissez le fonctionnement.
 - B. Le feu est petit et limité à l'endroit où il a débuté.
 - C. Les pompiers ont été avisés.
 - D. Vous pouvez combattre l'incendie en ayant accès à une sortie de secours.

* Tirées du *Kitchen Fire Safety Tips* publié par la NFPA.

⚠ ATTENTION

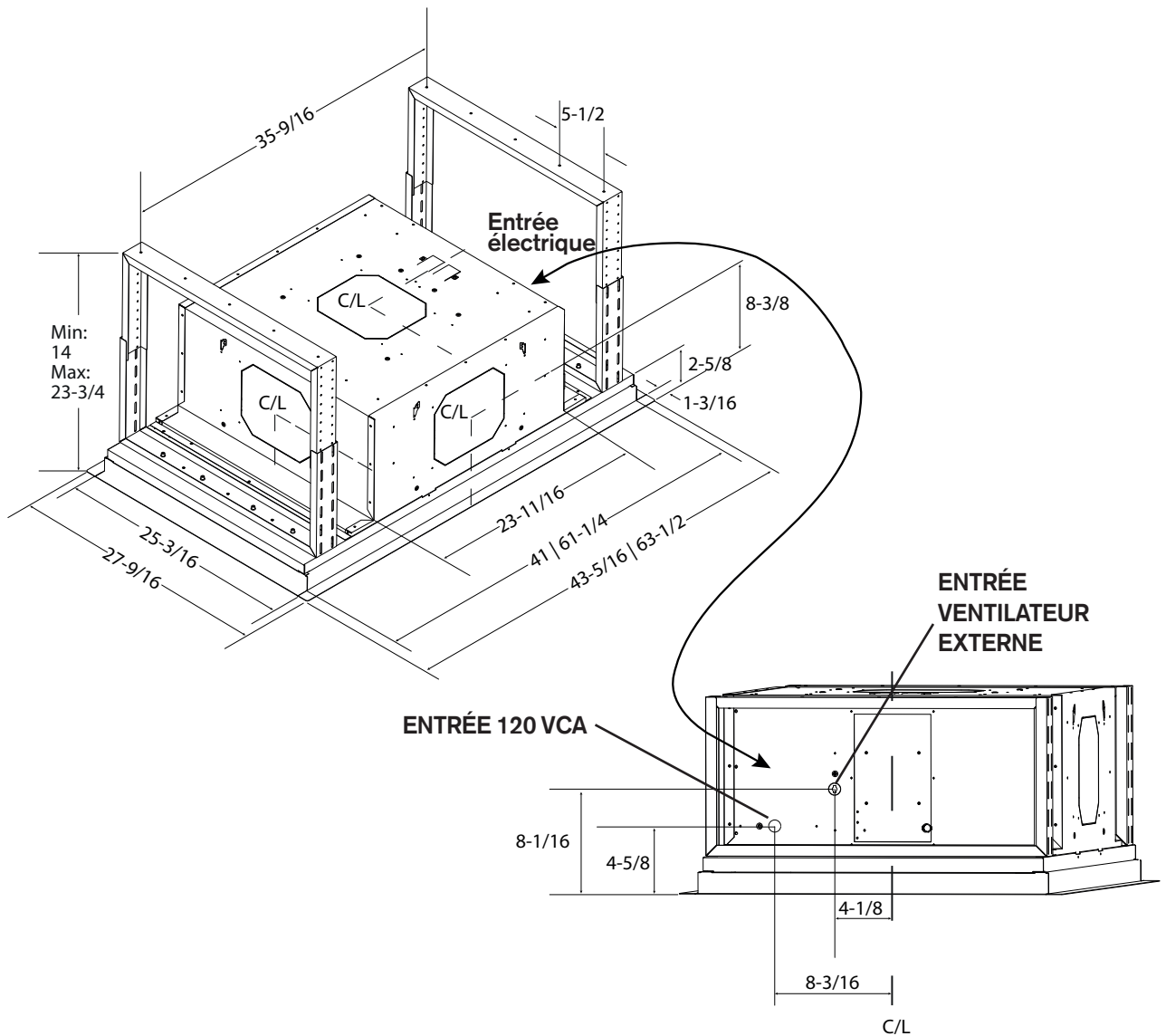


- Pour une utilisation résidentielle et à l'intérieur seulement.
- Afin de réduire les risques d'incendie et évacuer l'air adéquatement, assurez-vous que les conduits évacuent l'air à l'extérieur. Ne pas évacuer l'air dans des espaces restreints comme l'intérieur des murs ou plafond ou dans le grenier, faux plafond ou garage.
- Soyez prudents lors de l'utilisation d'agents nettoyants ou de détergents.
- Évitez d'utiliser sous la hotte des produits alimentaires pouvant s'enflammer.
- Pour usage domestique seulement. Ne pas utiliser pour évacuer des vapeurs ou des matières dangereuses ou explosives.
- Afin d'éviter tout dommage au moteur et de débalancer ou de rendre bruyante la roue du moteur, garder votre appareil à l'abri des poussières de gypse et de construction/rénovation, etc.
- Le moteur de votre hotte possède une protection thermique qui éteindra automatiquement le moteur s'il devient surchauffé. Le moteur redémarrera automatiquement une fois refroidi. Si le moteur continue à arrêter et à redémarrer, faites-le vérifier.
- Pour une meilleure évacuation des odeurs de cuisson, le bas de votre hotte devrait être situé à UN MINIMUM de 48 po et à un maximum recommandé de 84 po au-dessus de la surface de cuisson.
- Veuillez consulter l'autocollant apposé à l'intérieur de la hotte pour plus d'information ou autres exigences.

OUTILS ET ACCESSOIRES RECOMMANDÉS

- Ruban à mesurer
- Tournevis Phillips n° 2
- Tourne-écrou ou douille 3/8 po
- Tournevis à lame plate (pour dégager les ouvertures préamorcées)
- Scie
- Cisailles à tôle
- Pincettes
- Ruban adhésif de métal
- Ciseaux (pour couper le ruban adhésif de métal)
- Crayon
- Pince à dénuder
- Serre-fils de 7/8 po de diamètre (un pour fixer le câble d'alimentation électrique domestique à la hotte et un autre pour fixer le câble du ventilateur externe à la hotte)
- Perceuse et mèche de 1/8 po

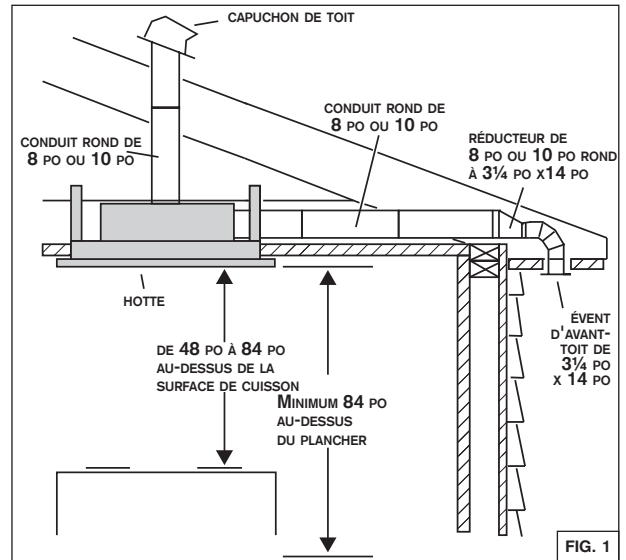
SPÉCIFICATIONS DE LA HOTTE



INSTALLATION DES CONDUITS

NOTE : Afin de réduire les risques d'incendie, n'utilisez que des conduits de métal.

1. Établir où le conduit passera entre le revêtement de la hotte et l'extérieur (FIG. 1).
2. Choisir la position souhaitée de sortie du ventilateur (FIG. 2).
3. Un conduit droit et court muni d'un volet rond de 8 po (inclus avec l'ensemble ventilateur) pour un ventilateur interne simple et un volet rond de 10 po (inclus avec la hotte) pour tout autre type de ventilateur permettra à votre hotte de fonctionner plus efficacement.
4. Un conduit long avec des coudes et des transitions réduira la performance de votre hotte. En utiliser le moins possible.
5. Installer un capuchon de toit ou de mur (vendus séparément). Relier le conduit en métal au capuchon, puis acheminer le conduit jusqu'à l'emplacement de la hotte. Sceller hermétiquement les raccords à l'aide de ruban adhésif de métal de 2 po de largeur.



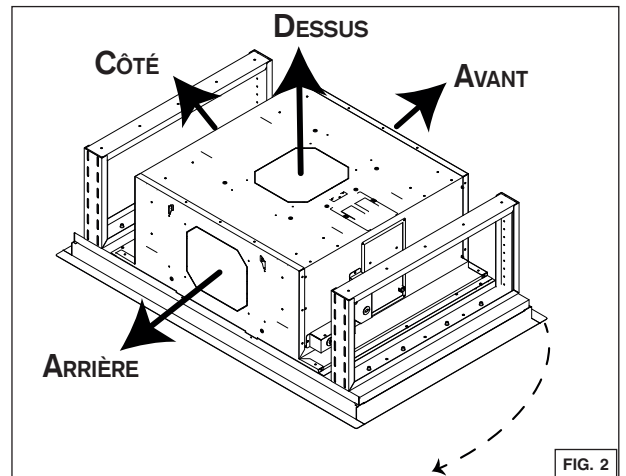
POSITION DE SORTIE DU VENTILATEUR

Il y a quatre (4) positions de sortie possibles :

- Dessus
- Avant
- Arrière
- Côté

Le volet peut être installé sur le boîtier avant l'installation de la hotte dans le plafond pour les positions de sortie Côté et Dessus seulement.

Dans le cas des positions de sortie Avant et Arrière, le volet doit être installé sur le boîtier une fois que la hotte est installée dans le plafond.



Le volet de 10 po inclus avec la hotte doit être installé avec tous les ventilateurs extérieurs et avec le ventilateur interne PM12. Avec un ventilateur extérieur, le conduit doit être branché directement sur le volet (la plaque de montage n'est pas requise).

Le volet de 8 po est requis seulement avec le ventilateur interne PM6. Il est inclus dans l'ensemble du ventilateur PM6.

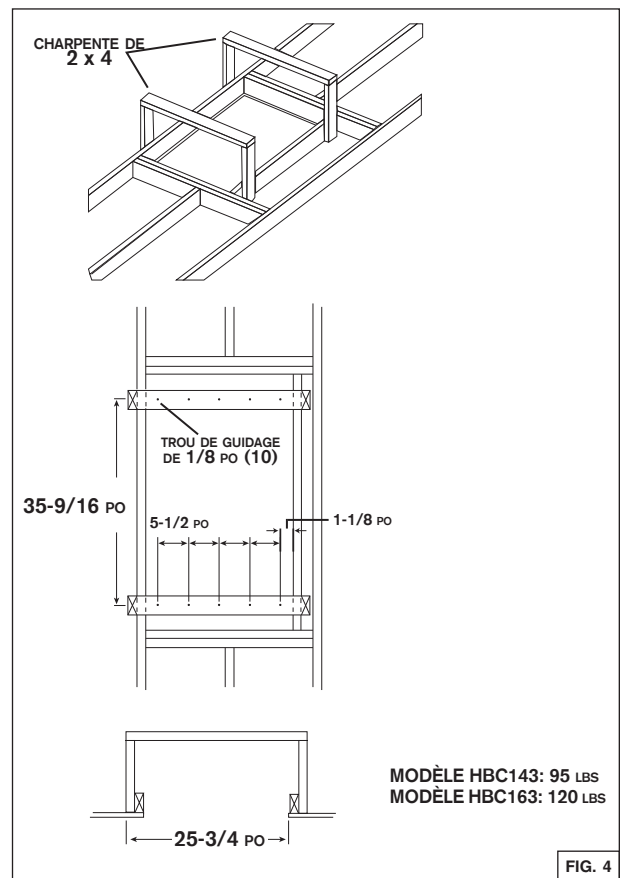
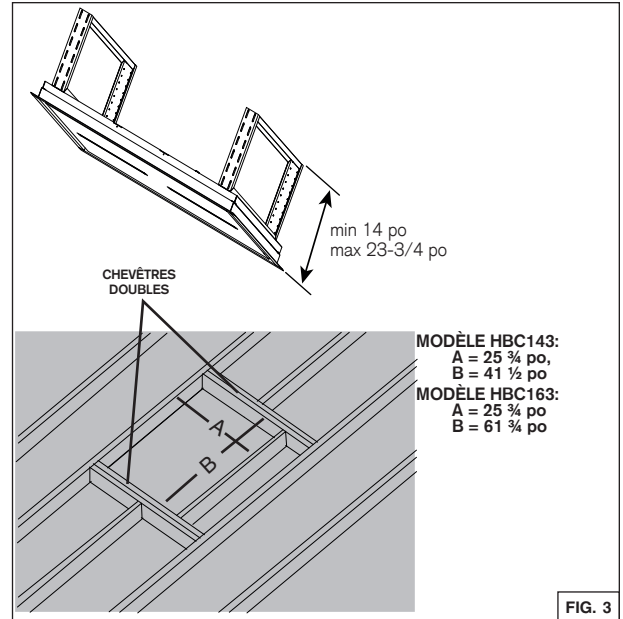
PRÉPARATION DE L'OUVERTURE AU PLAFOND ET DU SUPPORT DE LA HOTTE

ATTENTION

Les conduits de côté/avant/arrière peuvent présenter certaines restrictions. Tenir compte de la charpente du support et laisser suffisamment d'espace entre la charpente du support et les conduits. Se référer à la section Spécifications de la hotte pour obtenir les dimensions de la hotte et pour voir la position des conduits.

NOTE: La charpente du support montrée dans ce document n'est qu'un exemple. Suivre le code du bâtiment.

La hotte doit être centrée au-dessus de la surface de cuisson. Assurez-vous de disposer de l'espace suffisant dans la structure du plafond pour l'installation de la hotte et des conduits. Pour une meilleure évacuation des odeurs de cuisson, le bas de votre hotte devrait être situé à UN MINIMUM de 48 po et à un maximum recommandé de 84 po au-dessus de la surface de cuisson. Construire une charpente adaptée à votre installation (ex. aux FIG. 3 et 4). Se référer à la section Spécifications de la hotte à la page 19 pour plus de détails. La structure doit être capable de supporter son propre poids et celui de la hotte.

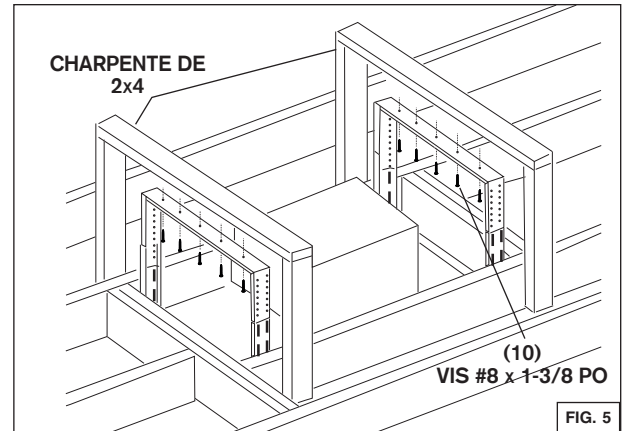


INSTALLATION DE LA HOTTE

ATTENTION

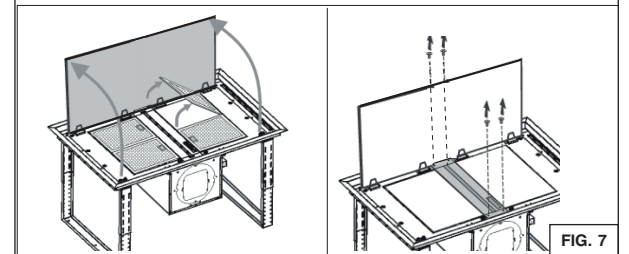
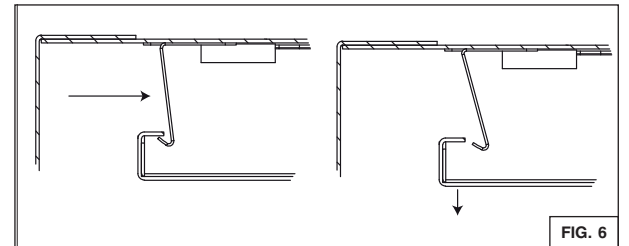
Au moins trois installateurs sont recommandés compte tenu de la taille et du poids de cette hotte.

1. Ajuster la hauteur du châssis du support télescopique pour assurer un ajustement serré entre la hotte et la finition du plafond. La hauteur du châssis du support télescopique doit être la même que la hauteur de la charpente du support de la hotte.
2. Lever la hotte dans l'ouverture au plafond.
3. Fixer chaque châssis du support télescopique à la charpente du support de la hotte à l'aide de 10 vis no. 8 x 1-3/8 po fournies. Se référer à la FIG. 5.
4. Raccorder les conduits. Sceller hermétiquement tous les joints avec du ruban à conduit.
5. Effectuer les connexions électriques. Se référer à la section BRANCHEMENT.



PRÉPARATION DE LA HOTTE POUR LE BRANCHEMENT ET L'INSTALLATION DU VENTILATEUR

1. Appuyer sur les languettes de verrouillage (2) aux extrémités du pourtour du panneau. Se référer à la FIG. 6.
2. Ouvrir le panneau et enlever les filtres à mailles. Se référer à la FIG. 7.
3. Afin de faciliter l'accès pour l'installation du ventilateur, enlever le panneau central en dévissant les vis 3/16 x 1/4 po. Se référer à la FIG. 7.



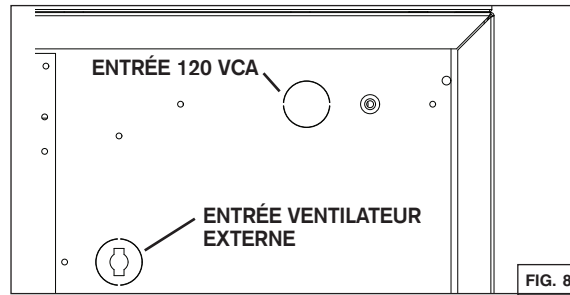
ATTENTION

Réinstaller les filtres à mailles et le panneau central au besoin (se référer à la FIG. 7). S'assurer que les languettes de verrouillage soient en place une fois l'installation terminée (se référer à la FIG. 6).

BRANCHEMENT

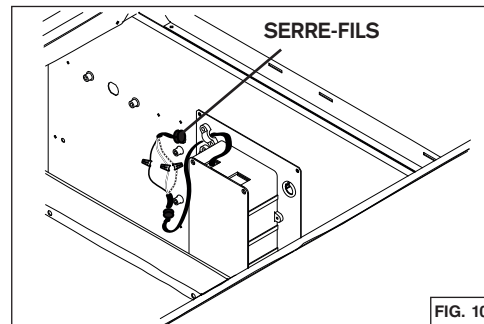
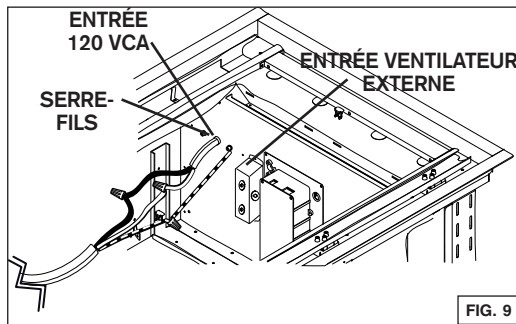
⚠ AVERTISSEMENT

Risque d'électrocution. Le raccordement électrique doit être effectué par du personnel qualifié conformément aux codes et aux standards en vigueur. Avant d'effectuer le branchement, coupez l'alimentation électrique au panneau de distribution et verrouillez-le pour éviter une mise en marche accidentelle.



Branchement à l'alimentation électrique de la maison

1. Localiser la boîte de jonction de l'alimentation électrique de la maison (se référer aux FIG. 8 et 9) puis enlever le couvercle de la boîte de jonction.
2. Installer un serre-fils de 7/8 po homologué UL (non inclus) sur le câble d'alimentation électrique de la maison. Faire passer le câble d'alimentation dans le boîtier puis utiliser un serre-fils pour le fixer.
3. Connecter le câble d'alimentation à l'aide des capuchons de connexion inclus. Connecter le fil NOIR au fil NOIR, le fil BLANC au fil BLANC et le fil VERT ou dénudé au fil VERT. NE PAS OUBLIER DE CONNECTER LA MISE À LA TERRE. Se référer à la FIG. 9.



4. Réinstaller le couvercle de la boîte de jonction. S'assurer que tous les fils soient à l'intérieur du couvercle de la boîte de jonction.

Branchement du ventilateur externe

1. Localiser la boîte de jonction du ventilateur externe (se référer aux FIG. 8 et 10) puis enlever le couvercle de la boîte de jonction. Enlever l'ouverture préamorcée du boîtier. Se référer à la FIG. 8 pour la position de l'ouverture préamorcée. Enlever le protège-fil.
2. Installer un serre-fils de 7/8 po homologué UL (non inclus) sur le câble du ventilateur externe. Faire passer le câble du ventilateur externe dans le boîtier puis utiliser un serre-fils pour le fixer.
3. Connecter le câble du ventilateur externe à l'aide des capuchons de connexion inclus. Connecter le fil NOIR au fil NOIR, le fil BLANC au fil BLANC et le fil VERT ou dénudé au fil VERT. NE PAS OUBLIER DE CONNECTER LA MISE À LA TERRE. Se référer à la FIG. 10.
4. Réinstaller le couvercle de la boîte de jonction. S'assurer que tous les fils soient à l'intérieur du couvercle de la boîte de jonction.

ATTENTION

Prendre garde de ne pas pincer les fils lors de la remise en place du couvercle.

INSTALLATION DU VENTILATEUR

Cette hotte est compatible avec les ventilateurs suivants. Sélectionner un modèle de ventilateur parmi ceux-ci : ventilateur interne - PM6 ou PM12, ventilateur extérieur - EB9 ou EB15, ventilateur en ligne - ILB6, ILB9 ou ILB11. Pour les ventilateurs externes ou en ligne, se référer aux instructions d'installation fournies avec le ventilateur pour obtenir plus de détails.

NOTE : La plaque de montage fournie avec l'ensemble du ventilateur extérieur n'est pas requise avec la hotte pour plafond.

INSTALLATION DU VENTILATEUR PM6 OU PM12

Installation de la plaque du ventilateur PM6

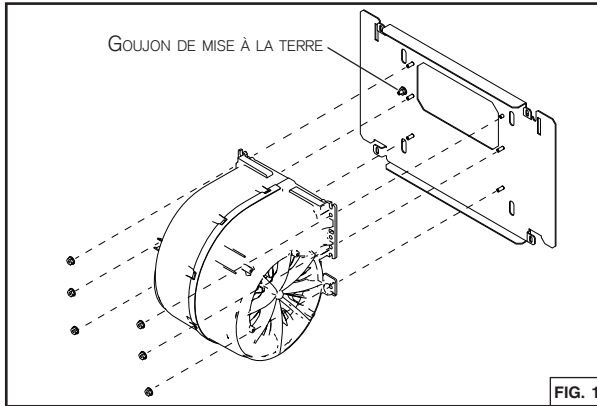


FIG. 1

1. Fixer le ventilateur à la plaque à l'aide de (6) écrous hexagonaux 10-24 (inclus).
2. Fixer le fil de mise à la terre du ventilateur au goujon de mise à la terre à l'aide de (1) écrou hexagonal 10-24 (inclus).

Installation de la plaque du ventilateur PM12

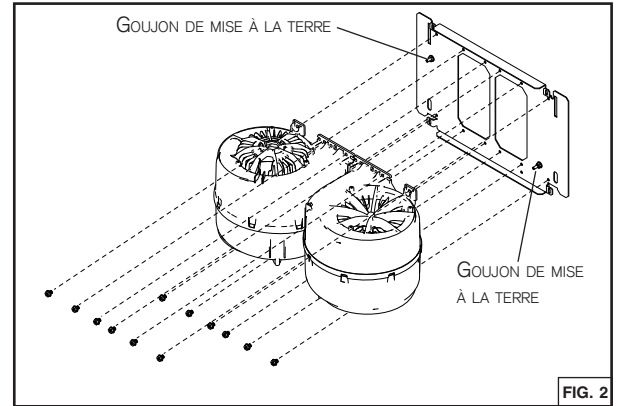


FIG. 2

1. Fixer les ventilateurs à la plaque à l'aide de (12) écrous hexagonaux 10-24 (inclus).
2. Fixer les fils de mise à la terre des ventilateurs aux goujons de mise à la terre à l'aide de (2) écrous hexagonaux 10-24 (inclus).

NOTES : Il y a quatre (4) positions de sortie possibles pour PM6 et PM12 : dessus, avant, arrière et côté. Enlever l'ouverture préamorcée de la sortie choisie du boîtier avant d'installer le ventilateur dans la hotte. Le ventilateur peut être installé avant ou après l'installation de la hotte dans le plafond. Cependant, il est plus facile d'installer la hotte dans le plafond sans le ventilateur interne installé. Le volet peut être installé sur le boîtier avant l'installation de la hotte dans le plafond pour les options de sortie Côté et Dessus seulement. Autrement, le volet doit être installé sur le boîtier une fois que la hotte est installée dans le plafond. Fixer le volet sur la partie externe de la hotte à l'aide de vis 8-18 (incluses). Volet de 10 po (inclus avec la hotte) pour l'ensemble de ventilateur PM12, volet de 8 po (inclus avec l'ensemble de ventilateur PM6) pour l'ensemble de ventilateur PM6.

Installation du ventilateur avec sortie sur le dessus (PM6 montré aux FIG. 3 & 5). Suivre la même méthode pour PM12.

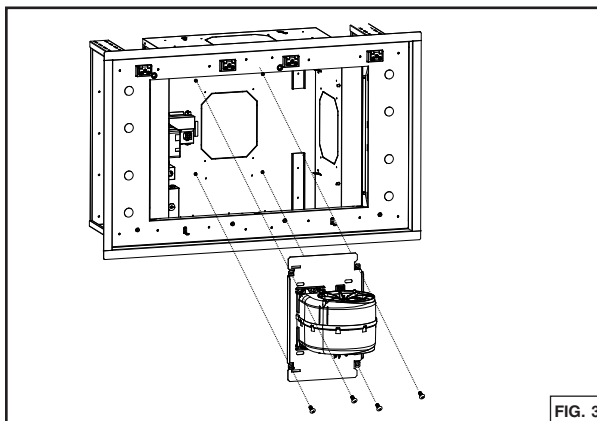


FIG. 3

1. Fixer la plaque du ventilateur à la hotte à l'aide de (4) vis 10-24 (incluses) tel qu'illustré ci-dessus.

Installation du ventilateur avec sortie avant/arrière (PM12 avant montré aux FIG. 4 & 6). Suivre la même méthode pour la sortie sur le côté et avec le ventilateur PM6.

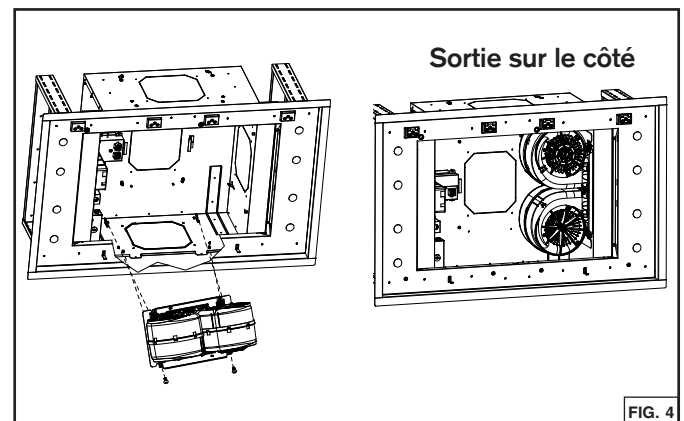
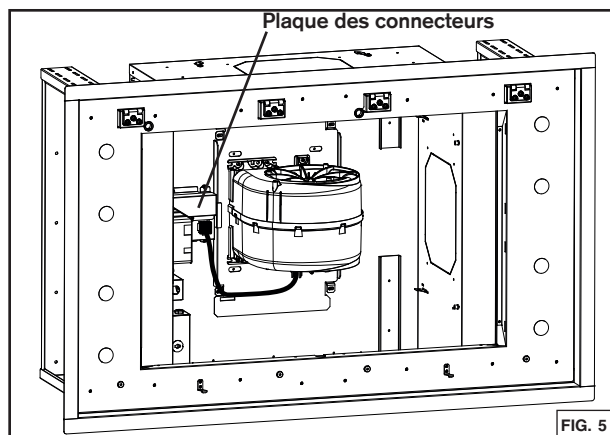


FIG. 4

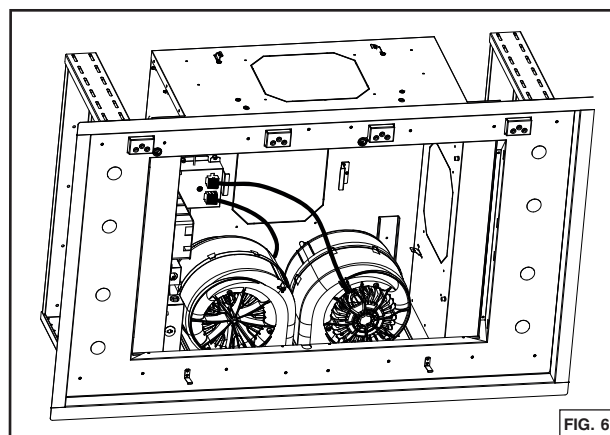
1. Fixer la plaque du ventilateur à la hotte en insérant les crochets dans les rainures et en utilisant (2) vis 10-24 (incluses) tel qu'illustré ci-dessus.

Branchement du ventilateur PM6



1. Pivoter la plaque des connecteurs pour découvrir un connecteur.
2. Brancher le cordon d'alimentation du ventilateur dans le connecteur tel qu'illustré ci-dessus.

Branchement du ventilateur PM12



1. Enlever la plaque des connecteurs.
2. Brancher le cordon d'alimentation de chaque ventilateur dans un connecteur tel qu'illustré ci-dessus.

Pièces de remplacement:

VENTILATEUR (1) 600 l/min : S97021509
ADAPTATEUR/VOLET 8 po ROND : SV08543

PROCÉDURE DE PROGRAMMATION DU VENTILATEUR EXTERNE

La hotte est conçue pour être utilisée avec différents modèles de ventilateur. Avant d'utiliser la hotte, le contrôle doit être programmé selon le modèle de ventilateur pour atteindre une vitesse de fonctionnement adéquate :

1. Trouver le numéro de RÉGLAGE qui correspond au modèle de ventilateur installé dans votre hotte.

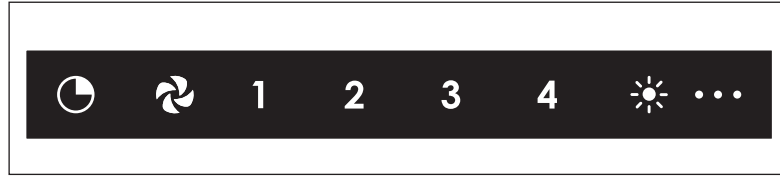
RÉGLAGE 1	RÉGLAGE 2	RÉGLAGE 3 (par défaut)
ILB6	EB15	EB9
	ILB9	ILB11

NOTE : Si aucun bouton n'est activé pendant plus de 3 secondes alors que la hotte est en mode programmation, la hotte sort du mode programmation sans enregistrer les changements.

2. La hotte doit être alimentée, mais le ventilateur et l'éclairage doivent être éteints.
3. Pour changer le réglage, appuyer sur les boutons **VENTILATEUR** et **ÉCLAIRAGE** simultanément et les maintenir enfoncés pendant 6 secondes, relâcher, puis :
 - Pour régler la hotte à **RÉGLAGE 1**, appuyer sur le bouton **VENTILATEUR** jusqu'à ce que seul le bouton **1** s'allume.
 - Pour régler la hotte à **RÉGLAGE 2**, appuyer sur le bouton **VENTILATEUR** jusqu'à ce que les boutons **1** et **2** s'allument.
4. Appuyer sur le bouton **ARRÊT DIFFÉRÉ** pour enregistrer les changements et quitter le mode programmation.
5. Si nécessaire, vérifier le réglage actuel de la hotte. Pour ce faire :
 Appuyer simultanément sur les boutons **VENTILATEUR** et **ÉCLAIRAGE** et les maintenir enfoncés pendant 6 secondes et relâcher. Différentes combinaisons de boutons **VITESSE (1 à 4)** s'allumeront pendant 3 secondes, selon le réglage.
 - Si réglé à **RÉGLAGE 3**, les boutons **VITESSE 1, 2, 3 et 4** s'allumeront.
 - Si réglé à **RÉGLAGE 2**, les boutons **VITESSE 1 et 2** s'allumeront.
 - Si réglé à **RÉGLAGE 1**, le bouton **VITESSE 1** s'allumera.

NOTE : Pour réinitialiser au réglage par défaut, appuyer sur les boutons **VENTILATEUR** et **ÉCLAIRAGE** simultanément et les maintenir enfoncés pendant 6 secondes et relâcher. Différentes combinaisons de boutons **VITESSE (1 à 4)** s'allumeront pendant 3 secondes. Appuyer sur le bouton **ÉCLAIRAGE** et le maintenir enfoncé pendant 3 secondes, puis les boutons **VITESSE** clignoteront 3 fois. Le réglage est maintenant celui par défaut.

COMMANDE



BOUTON ARRÊT DIFFÉRÉ

Lorsqu'activé, l'icône s'allume et la vitesse actuelle du ventilateur demeure active durant 10 min, puis le ventilateur s'éteint. La vitesse du ventilateur peut être modifiée durant le délai de 10 min.

Pour désactiver la fonction arrêt différé, appuyer sur le bouton arrêt différé.



BOUTON VENTILATEUR

Lorsqu'activé, l'icône s'allume et le ventilateur fonctionne à la dernière vitesse sauvegardée. Si aucune vitesse n'était sauvegardée, le ventilateur sera réglé en vitesse 1.

Pour modifier la vitesse du ventilateur, appuyer sur le bouton de la vitesse souhaitée (1, 2, 3 ou 4). Le bouton de la vitesse actuelle s'allumera.

Pour éteindre le ventilateur, appuyer sur le bouton ventilateur ou appuyer sur le bouton de la vitesse actuellement en fonction.



BOUTON ÉCLAIRAGE

Lorsqu'activé, l'icône s'allume ainsi que le(s) point(s) à la droite de l'icône qui représente(nt) l'intensité de l'éclairage. En appuyant une fois sur le bouton, le premier point s'allumera. En appuyant deux fois sur le bouton, le premier et le deuxième points s'allumeront. En appuyant trois fois sur le bouton, les trois points s'allumeront.

Pour éteindre l'éclairage, appuyer une quatrième fois sur le bouton.

NOTE: Une télécommande est incluse avec la hotte. Se référer aux instructions incluses avec la télécommande pour obtenir plus de détails.

ENTRETIEN

TOUJOURS COUPER L'ALIMENTATION ÉLECTRIQUE AVANT D'EFFECTUER UNE QUELCONQUE OPÉRATION SUR CET APPAREIL.

Filtre(s) à graisses

Le ou les filtre(s) à graisses doivent être nettoyés fréquemment. Utiliser une solution d'eau chaude et de détergent. Le ou les filtre(s) sont lavables au lave-vaisselle. Nettoyer le(s) filtre(s) au lave-vaisselle à l'aide d'un détergent sans phosphate. L'utilisation d'un détergent avec phosphates ainsi que les conditions locales de l'eau peuvent entraîner une décoloration du (des) filtre(s), sans toutefois affecter sa performance. Cette décoloration n'est pas couverte par la garantie. Afin de prévenir ou de limiter la décoloration, laver le(s) filtre(s) à la main avec un détergent doux.

NETTOYAGE DE L'ACIER INOXYDABLE

À faire :

- Laver régulièrement les surfaces à l'aide d'un chiffon propre imbibé d'eau chaude et de savon doux ou de détergent liquide à vaisselle.
- Toujours nettoyer dans le sens du polissage.
- Toujours bien rincer avec de l'eau claire (2 à 3 fois) et essuyer complètement.
- Un nettoyant domestique conçu spécialement pour l'acier inoxydable peut aussi être utilisé.

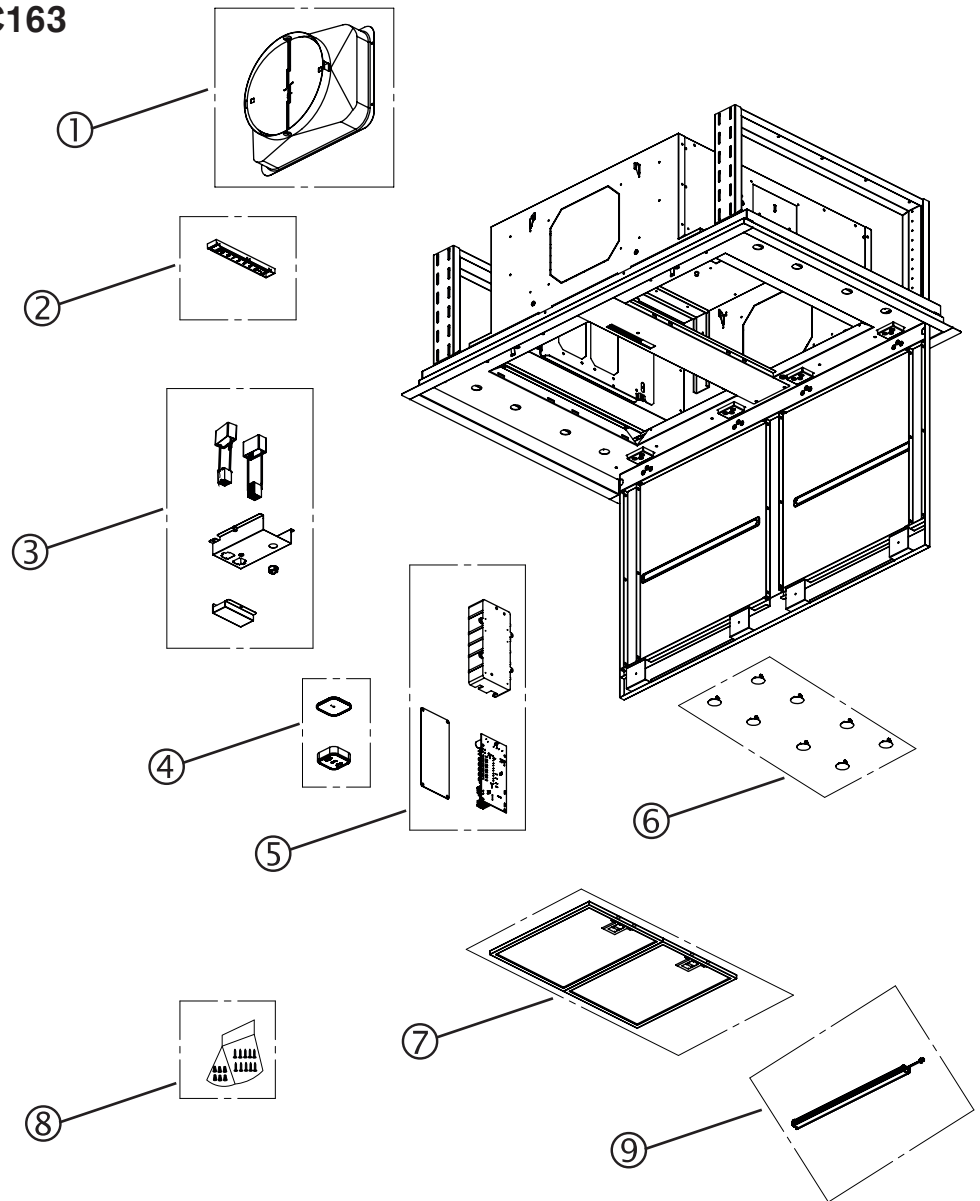
À ne pas faire :

- Ne pas utiliser de laine d'acier ou d'acier inoxydable ou tout autre grattoir pour enlever la saleté tenace.
- Ne pas utiliser une poudre nettoyante abrasive ou rugueuse.
- Ne pas laisser la saleté s'accumuler.
- Ne pas laisser la poussière de plâtre ou tout autre résidu de construction atteindre l'appareil. Couvrir l'appareil pour la durée des travaux afin de s'assurer qu'aucune poussière ne l'atteigne.

À éviter lors du choix d'un détergent :

- Tous produits nettoyants contenant des **agents de blanchiment**; ils attaqueront l'acier inoxydable.
- Tous produits contenant du **chlorure**, du **fluorure**, de l'**iode** ou du **bromure**; ils détérioreront rapidement les surfaces.
- Tous produits combustibles utilisés pour le nettoyage : **acétone**, **alcool**, **éther**, **benzène**, etc.; ils sont grandement explosifs et ne devraient jamais être utilisés près d'une cuisinière.

HBC143, HBC163



DIRECTIVES D'INSTALLATION, D'UTILISATION ET D'ENTRETIEN

PIÈCES DE RECHANGE

REPÈRE	NUMÉRO DE PIÈCE	DESCRIPTION	QTÉ
1	S1106832	ADAPTATEUR 10 PO ROND AVEC VOLET	1
2	S1106831	INTERFACE UTILISATEUR	1
3	S1106829	ENSEMBLE CONDENSATEUR	1
4	S1106833	ENSEMBLE TÉLÉCOMMANDE	1
5	S1106828	ENSEMBLE UNITÉ DE PUISSANCE	1
6	S1106836	CAPUCHONS DE PLASTIQUE (8)	1
7	S1106835	FILTRES (ENSEMBLE DE 2)	1
8	S1106834	SAC DE PIÈCES (6 CAPUCHONS DE CONNEXION ET 10 VIS)	1
9	S1106827	MODULE DEL (1)	1

GARANTIE LIMITÉE DE 5 ANS SUR LES PRODUITS BEST^{MC}

Période de garantie et exclusions: Broan-NuTone LLC (l'« entreprise ») garantit au consommateur qui achète son produit (« vous ») que le produit (le « produit ») restera exempt de défauts importants dans ses composants ou sa fabrication pendant une période de cinq (5) ans à compter de la date de l'achat initial (ou pour une période plus longue si la loi en vigueur l'exige) ou une période de deux (2) ans à compter de la date de la prestation d'un service sur le produit. La garantie limitée des pièces de rechange fournies par l'entreprise et de tout produit réparé ou remplacé en vertu de cette garantie est valide pour la durée non écoulée de la période de garantie initiale (ou d'une période plus longue si la loi en vigueur l'exige).

LA PRÉSENTE GARANTIE NE S'APPLIQUE PAS AUX DÉMARREURS DE LAMPE FLUORESCENTE, NI AUX TUBES, AMPOULES, FUSIBLES, FILTRES, CONDUITS, CAPUCHONS DE TOIT, CAPUCHONS MURAUX ET AUX AUTRES ACCESSOIRES POUR CONDUITS.

Cette garantie exclut : a) l'entretien normal, b) l'usure normale, c) les produits et les pièces ayant fait l'objet d'une utilisation mauvaise, abusive ou anormale, d'une négligence, d'un accident, d'un entretien ou d'un entreposage, d'une réparation ou d'un entretien inadéquats ou insuffisants (sauf s'il s'agit d'une réparation effectuée par l'entreprise), d) les dommages attribuables à une installation incorrecte ou à une installation ou utilisation contraires aux recommandations ou aux instructions, e) les dommages attribuables au contact de l'air salin, f) les dommages survenus durant le transport, g) l'usure normale de la finition, h) les produits d'utilisation commerciale ou non résidentielle, i) les dommages causés par le feu, une inondation ou une autre catastrophe naturelle, ou j) les produits dont le numéro de série a été altéré ou effacé. Cette garantie ne s'applique qu'aux produits vendus aux consommateurs en Amérique du Nord. La présente garantie remplace les garanties précédentes et, sous réserve de la loi applicable, n'est pas consommable par l'acheteur initial.

Aucune autre garantie: La présente garantie limitée énonce l'unique obligation de l'entreprise et votre seul recours pour les produits défectueux. Les garanties qui précèdent sont exclusives et l'emportent sur les autres garanties et modalités, expresses ou implicites. **DANS TOUTE LA MESURE PERMISE PAR LA LOI EN VIGUEUR, L'ENTREPRISE SE DÉGAGE DES AUTRES GARANTIES ET MODALITÉS EXPRESSES ET DES GARANTIES ET MODALITÉS IMPLICITES EN VERTU DE LA LOI, Y COMPRIS, SANS S'Y LIMITER, LES GARANTIES DE QUALITÉ MARCHANDE ET D'ADAPTATION À UN USAGE PARTICULIER.** Dans la mesure où la loi applicable interdit l'exclusion des garanties ou modalités implicites, la durée d'une garantie ou modalité implicite applicable est restreinte à la période indiquée pour la garantie expresse ci-dessus. Certains territoires de compétence (ce qui peut inclure la province de Québec ou certains États des États-Unis) interdisent les limites à la durée des garanties implicites; la restriction susmentionnée pourrait donc ne pas s'appliquer à vous. Les descriptions orales ou écrites du produit ont pour seul objet d'indiquer les produits et ne sauraient être interprétées dans le sens d'une garantie expresse.

Autant que possible, chaque disposition de cette garantie limitée est interprétée de sorte qu'elle soit valide sous le régime de la loi applicable, mais si l'une de ses dispositions est déclarée interdite ou nulle, cette disposition n'est nulle que dans la mesure de cette interdiction ou nullité, et les autres éléments de cette disposition ainsi que les autres dispositions de la garantie limitée restent valides.

Recours: Durant la période de la garantie limitée applicable, l'entreprise fournira, à son choix, des pièces de rechange ou des services de réparation ou de remplacement sans frais pour tout produit ou toute pièce de produit, dans la mesure où l'entreprise constate que la présente garantie limitée s'applique à ce produit ou à cette pièce dans le contexte d'une utilisation et d'un entretien normaux. L'entreprise vous expédiera le produit réparé, son remplacement ou les pièces de rechange sans frais. Vous assumez la totalité des coûts de mise hors service, de réinstallation, d'expédition et d'assurance et les autres frais de transport associés à la livraison du produit ou de la pièce à l'entreprise. Si vous devez envoyer le produit ou la pièce à l'entreprise, conformément à ses instructions, vous devez emballer adéquatement le produit ou la pièce; l'entreprise n'est pas responsable des dommages survenus durant le transport. L'entreprise se réserve le droit d'utiliser des produits ou pièces remis à neuf, réparés ou remanufacturés aux fins de réparation ou de remplacement dans le cadre de la garantie. Ces produits et ces pièces seront comparables quant à la fonction et aux performances avec les produits ou pièces d'origine, et protégés par une garantie pour la durée restante de la période de garantie initiale (ou d'une période plus longue si la loi en vigueur l'exige). L'entreprise se réserve le droit, à son entière discrétion, de rembourser le montant que vous avez effectivement payé pour le produit. Si le produit ou la pièce n'est plus disponible, elle peut le ou la remplacer par un produit similaire de valeur égale ou supérieure, à son entière discrétion. Ceci constitue votre seul recours advenant un non-respect de la présente garantie limitée.

Exclusion des dommages: **L'OBLIGATION DE L'ENTREPRISE DE FOURNIR DES PIÈCES DE RECHANGE, OU DE RÉPARER OU REMPLACER LE PRODUIT, À SON CHOIX, EST VOTRE SEUL RECOURS EN VERTU DE LA PRÉSENTE GARANTIE LIMITÉE ET L'UNIQUE OBLIGATION DE L'ENTREPRISE. CETTE DERNIÈRE N'EST PAS RESPONSABLE DES DOMMAGES INDIRECTS OU SPÉCIAUX DÉCOULANT DIRECTEMENT OU INDIRECTEMENT DU PRODUIT, DE SON UTILISATION OU DE SES PERFORMANCES.**

Certains territoires de compétence interdisent l'exclusion ou la restriction des dommages indirects; la restriction qui précède pourrait donc ne pas s'appliquer à vous. Cette garantie vous donne des droits spécifiques, et vous pourriez aussi avoir d'autres droits, qui varient selon le territoire de compétence. Les renoncements, exclusions et restrictions de responsabilité aux termes de cette garantie ne s'appliquent pas dans la mesure où la loi en vigueur interdit une telle application. La présente garantie ne s'applique qu'au remplacement ou à la réparation de produits ou pièces de produit défectueux effectué au principal lieu d'affaires de l'entreprise, et exclut les frais de déplacement et de subsistance liés aux services fournis sur le terrain.

Tout soutien que l'entreprise vous fournit ou vous procure et qui n'est pas visé par les dispositions, limites ou exclusions de la présente garantie limitée ne constitue pas une renonciation à ces dispositions, limites ou exclusions, et la fourniture de ce soutien ne prolonge ni ne rétablit la garantie.

L'entreprise ne vous remboursera pas vos dépenses faites pour la réparation ou le remplacement d'un produit défectueux, sauf celles pour lesquelles vous avez obtenu le consentement écrit de l'entreprise.

Comment obtenir le service de garantie: Pour avoir droit au service de garantie, vous devez : a) aviser l'entreprise à l'adresse ou au numéro de téléphone indiqué ci-dessous dans les sept (7) jours qui suivent la date où vous avez eu connaissance de la défectuosité couverte, b) indiquer le numéro de modèle et les données d'identification de la pièce, et c) décrire la nature de toute défectuosité du produit ou de la pièce. Au moment où vous demandez le service de garantie, vous devez présenter une preuve de la date de l'achat initial. Si vous ne pouvez pas produire de copie de l'original de la garantie limitée, alors ce seront les modalités de la dernière version de la garantie limitée de votre produit de l'entreprise qui s'appliqueront.

SPÉCIFICATIONS DU PRODUIT

Toutes les illustrations et les spécifications des produits contenues dans ce catalogue sont établies d'après les plus récentes données disponibles en date de la production. Broan-NuTone LLC et BEST^{MD} se réservent le droit de modifier les prix, les couleurs, les composants, les produits, les spécifications et les modèles, de déplacer le lieu de fabrication et de cesser la production d'un modèle ou d'un produit, et ce, en tout temps et sans préavis.

BEST 926 West State Street, Hartford, Wisconsin USA 53027 BestRangeHoods.com 800-558-1711

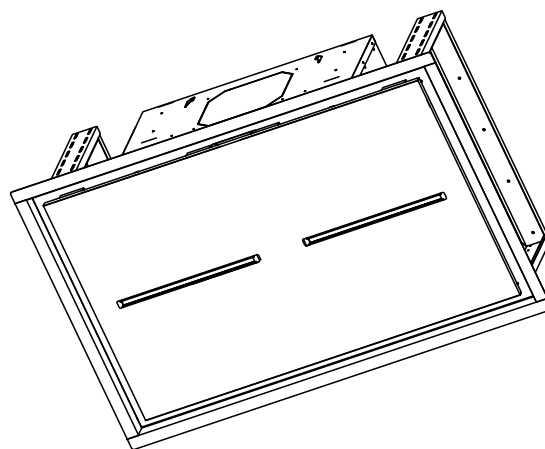
BEST 550 boul. Lemire, Drummondville, Québec, Canada J2C 7W9 BestRangeHoods.ca 800-567-3855



Campanas para techo

Serie HBC1

INSTRUCCIONES DE INSTALACIÓN, USO Y CUIDADO



Número serial:



Seguridad	33-34
Instalación	35-41
Herramientas y accesorios recomendados	35
Especificaciones de la campana	35
Instalación de los conductos	36
Posición de salida del ventilador	36
Preparación de la abertura en el techo y del soporte de la campana	37
Instalación de la campana	38
Preparación de la campana para la conexión eléctrica y la instalación del ventilador	38
Conexión eléctrica	39
Instalación del ventilador	40-41
Procedimiento de programación del ventilador exterior	41
Funcionamiento	42
Mantenimiento y limpieza	43
Filtro(s) de grasa	
Limpieza del acero inoxidable	
Partes de servicio	44
Garantía	45

Para registrar su producto, visitar nuestro sitio:
En los Estados Unidos - BestRangeHoods.com
En Canadá - BestRangeHoods.ca

Para asistencia técnica, marcar el número de teléfono siguiente:
En los Estados Unidos - 800-558-1711
En Canadá - 800-567-3855

Instalador: Deje este manual al propietario.

LEA ESTAS INSTRUCCIONES Y GUÁRDELAS

⚠ Exclusivamente para cocinas domésticas ⚠

⚠ ADVERTENCIA



PARA REDUCIR EL RIESGO DE INCENDIO, DESCARGA ELÉCTRICA O LESIÓN CORPORAL, RESPETE LAS SIGUIENTES INDICACIONES:

- Utilice esta unidad únicamente de la forma en que indica el fabricante. Si tiene cualquier pregunta, póngase en contacto con el fabricante en la dirección o el teléfono que aparecen en la garantía.
- Antes de reparar o limpiar el aparato, apáguelo en el tablero de servicio y bloquee los medios de desconexión para impedir que la corriente se conecte accidentalmente. Cuando no se pueda bloquear los medios de desconexión, coloque un dispositivo de advertencia visible (como una etiqueta) en el tablero de servicio.
- La instalación y la conexión eléctrica deben ser realizadas por personal calificado de acuerdo con todos los códigos y normas aplicables, incluso los relativos a la construcción ignífuga.
- Para lograr una combustión adecuada y una extracción correcta de los gases a través de la salida del humo (chimenea) del equipo quemador de combustible — evitando así el contratiro — es necesario disponer de aire suficiente. Siga las directrices del fabricante del equipo de material térmico y las normas de seguridad, como las que publica la NFPA (asociación de protección contra los incendios) y la ASHRAE (sociedad estadounidense de técnicos de calefacción, refrigeración y aire acondicionado) así como los códigos de los organismos responsables locales.
- Al cortar o perforar la pared o el techo, procure no dañar el cableado eléctrico ni otras instalaciones de servicios públicos.
- Los ventiladores entubados siempre deben tener salida al exterior.
- No use esta unidad con ningún otro control de velocidad de estado sólido.
- Para reducir el riesgo de incendio, utilice sólo conductos de metal.
- Este aparato debe conectarse a tierra.
- Se recomienda llevar gafas de seguridad y guantes de protección cuando instale, mantenga o repare este aparato.
- Cuando una reglamentación local está en vigor y conlleva exigencias de instalación y/o de certificación más estrictas, susodichas exigencias prevalecen sobre aquellas en este documento y el instalador acepta someterse a estas exigencias a sus gastos.

⚠ ADVERTENCIA



PARA REDUCIR EL RIESGO DE QUE ARDA LA GRASA EN LA PARTE SUPERIOR DE LA COCINA:

- A. No deje nunca recipientes de cocina a fuego vivo sin vigilancia. Los desbordamientos producen humo y derrames grasientos que pueden inflamarse. Caliente el aceite despacio, a fuego lento o mediano.
- B. Ponga en marcha siempre la campana extractora al cocinar a temperaturas elevadas o al cocinar alimentos flameados (crepas Suzette, cerezas jubilee, res con pimienta flambeada).
- C. Limpie el ventilador con frecuencia. No deje que la grasa se acumule en el ventilador, ni en los filtros o en los conductos de evacuación.
- D. Utilice cacerolas de tamaño apropiado. Emplee siempre un recipiente adecuado para el tamaño de la placa.

PARA REDUCIR EL RIESGO DE LESIONES CORPORALES EN EL CASO DE QUE ARDA LA GRASA EN LA PARTE SUPERIOR DE LA COCINA, SIGA ESTAS INDICACIONES*:

- 1. SOFOQUE LAS LLAMAS con una tapa ajustada, una hoja o bandeja metálica para hornear galletas, y apague luego el quemador. TENGA CUIDADO PARA EVITAR QUEMADURAS. SI LAS LLAMAS NO SE APAGAN INMEDIATAMENTE, EVACUE EL LUGAR Y LLAME A LOS BOMBEROS.
- 2. NO SUJETE NUNCA UNA SARTÉN EN LLAMAS ya que podría quemarse.
- 3. NO USE AGUA, ni trapos húmedos. Podría causar una violenta explosión de vapor.
- 4. Utilice un extintor SOLAMENTE si:
 - A. Tiene un extintor de tipo ABC y sabe usarlo.
 - B. El fuego es pequeño y está circunscrito a la zona donde empezó.
 - C. Ya ha llamado a los bomberos.
 - D. Puede tratar de apagar el fuego si dispone siempre de una salida detrás de usted.

* Fuente: "Kitchen Fire Safety Tips" publicado por la NFPA.

⚠ PRECAUCIÓN

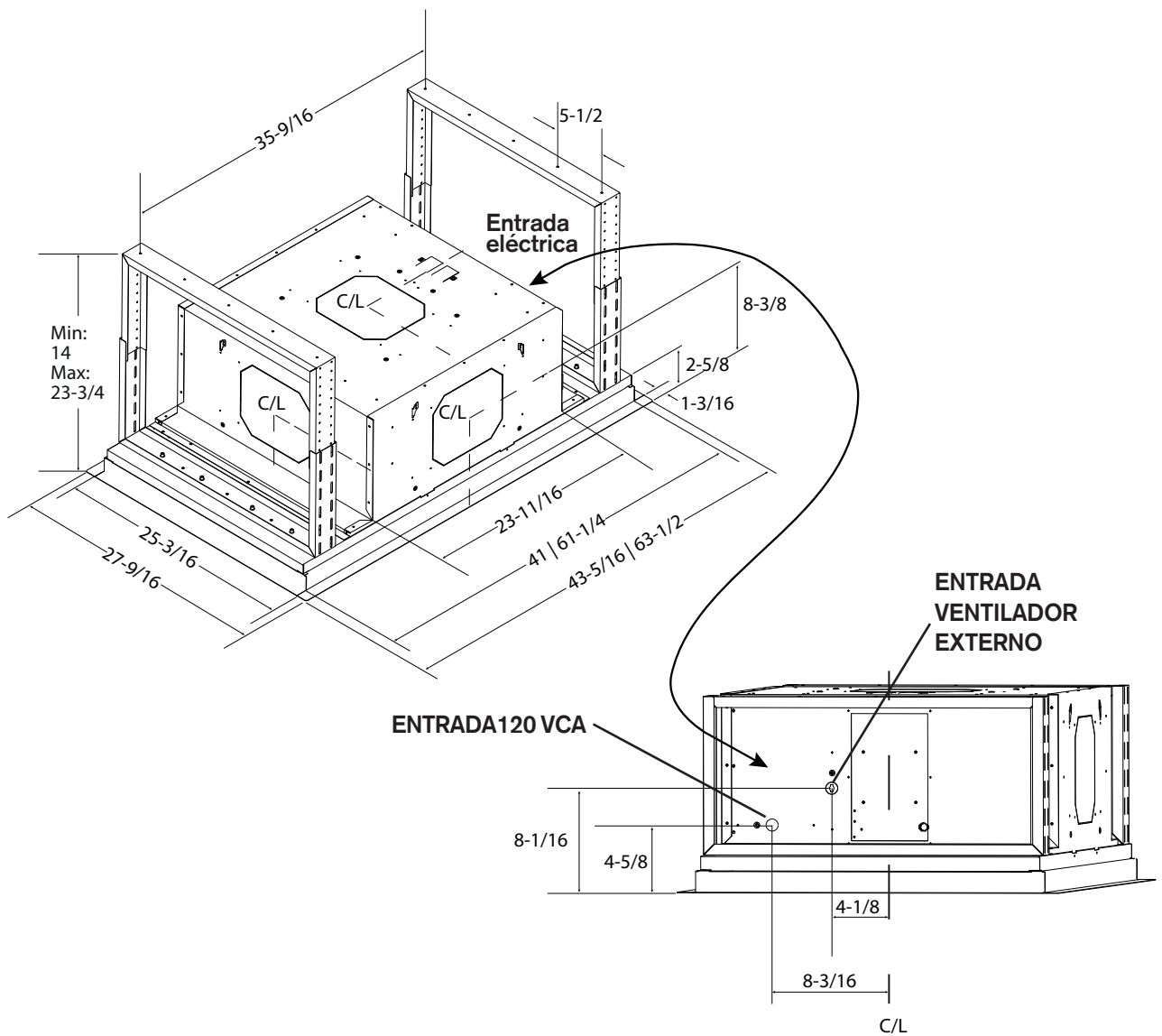


- Sólo para una utilización en el interior.
- Para reducir los riesgos de incendio y extraer el aire debidamente, el aire debe evacuarse fuera. No extraiga el aire a espacios situados entre las paredes, en el techo o en el desván, falso techo o garaje.
- Utilice los agentes limpiadores o detergentes con prudencia.
- Evite el uso de alimentos que pueden inflamarse, debajo de la campana.
- Sólo para ventilación general. No debe utilizarse para extraer materiales o vapores peligrosos o explosivos.
- Para evitar daños en el cojinete del motor y que la hélice haga ruido o se desequilibre, mantenga la unidad de alimentación lejos de los vaporizadores de pirca, del polvo de la construcción, etc.
- El motor de la campana tiene un dispositivo contra sobrecargas térmicas que apaga el motor automáticamente si éste se sobrecalienta. El motor volverá a ponerse en marcha cuando se enfríe. Si el motor sigue apagándose, haga examinar el motor.
- Para lograr una mejor captura de las impurezas producidas al cocinar, la parte inferior de la campana deberá estar a un mínimo de 48 pulg. y un máximo de 84 pulg. sobre el nivel de la superficie para cocinar.
- Para mayor información y conocer los requisitos, lea la etiqueta con las especificaciones en el producto.

HERRAMIENTAS Y ACCESORIOS RECOMENDADOS

- Cinta métrica
- Destornillador Phillips nº 2
- Llave de tuercas o casquillo 3/8 pulg
- Destornillador de punta plana (para abrir los orificios punzonados)
- Sierra
- Cizalla
- Alicates
- Cinta adhesiva metálica
- Tijeras (para cortar la cinta adhesiva metálica)
- Lápiz
- Pelacables
- Abrazadera(s) de cables diámetro de 7/8 pulg (una para sujetar el cable de alimentación a la campana y una otra para sujetar el cable del ventilador externo a la campana)
- Taladro con broca 1/8 pulg

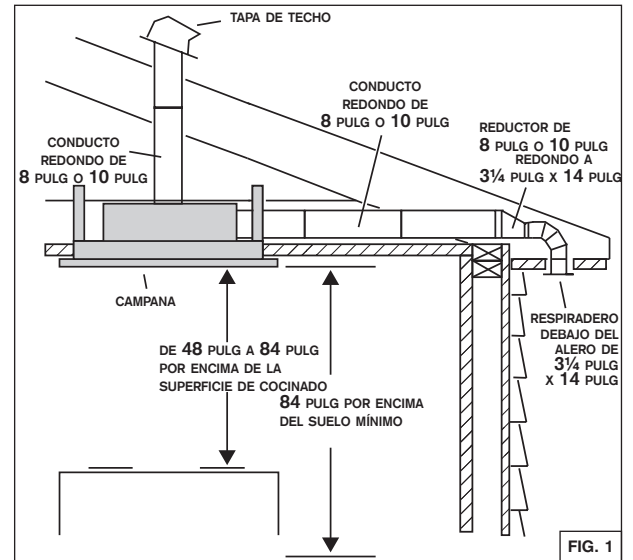
ESPECIFICACIONES DE LA CAMPANA



INSTALACIÓN DE LOS CONDUCTOS

NOTA: Para evitar el riesgo de incendio, use solamente conductos de metal.

1. Decidir dónde instalará el conducto entre el recubrimiento de la campana y el exterior (FIG. 1).
2. Elegir la posición deseada de salida del ventilador (FIG. 2).
3. Un conducto recto y corto equipado con una compuerta redonda de 8 pulg. (incluida con el conjunto del ventilador) para un ventilador interno simple y una compuerta redonda de 10 pulg. (incluida con la campana) para todo otro tipo de ventilador permitirá que la campana funcione más eficientemente.
4. Un conducto largo con codos y transiciones reducirá el rendimiento de la campana. Use tan pocos de ellos como sea posible.
5. Instalar una tapa de techo o de pared (se venden por separado). Conectar el conducto de metal a la tapa, y trabajar hacia atrás, hacia la ubicación de la campana. Usar cinta adhesiva metálica de 2 pulg. de largo para sellar las uniones entre las secciones de conductos.



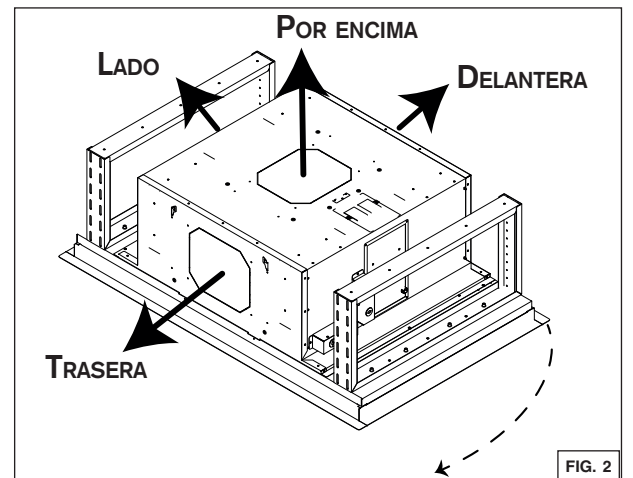
POSICIÓN DE SALIDA DEL VENTILADOR

Hay cuatro (4) posiciones de salida posibles:

- Por encima
- Delantera
- Trasera
- Lado

Se puede instalar la compuerta en la carcasa antes de instalar la campana en el techo con las posiciones de salida Lado y Por encima solamente.

En el caso de las posiciones de salida Delantera y Trasera, se debe instalar la compuerta en la carcasa una vez la campana instalada en el techo.



La compuerta de 10 pulg. incluida con la campana debe instalarse con todos los ventiladores exteriores y con el ventilador interno PM12. Con un ventilador exterior, el conducto debe conectarse directamente en la compuerta (la placa de montaje no se requiere).

La compuerta de 8 pulg. se requiere solamente con el ventilador interno PM6. Se incluye en el conjunto del ventilador PM6.

PREPARACIÓN DE LA ABERTURA EN EL TECHO Y DEL SOPORTE DE LA CAMPANA

PRECAUCIÓN

Los conductos de lado/delantera/trasera pueden presentar ciertas restricciones. Tener en cuenta la estructura del soporte y dejar un espacio suficiente entre la estructura del soporte y los conductos. Ver la sección Especificaciones de la campana para obtener las dimensiones de la campana y para ver la posición de los conductos.

NOTA: La estructura del soporte mostrada en este documento es solo un ejemplo. Seguir el código de construcción.

La campana siempre debe centrarse arriba de la estufa. Asegúrese de tener el espacio adecuado en la estructura del techo para instalar la campana y los conductos. Para lograr una mejor captura de las impurezas producidas al cocinar, la parte inferior de la campana deberá estar a un mínimo de 48 pulg. y un máximo de 84 pulg. sobre el nivel de la superficie para cocinar. Construir una estructura adaptada a su instalación (ej. en las FIG. 3 y 4). Ver la sección Especificaciones de la campana en la página 33 para más detalles. La estructura debe soportar su propio peso, más el peso de la campana.

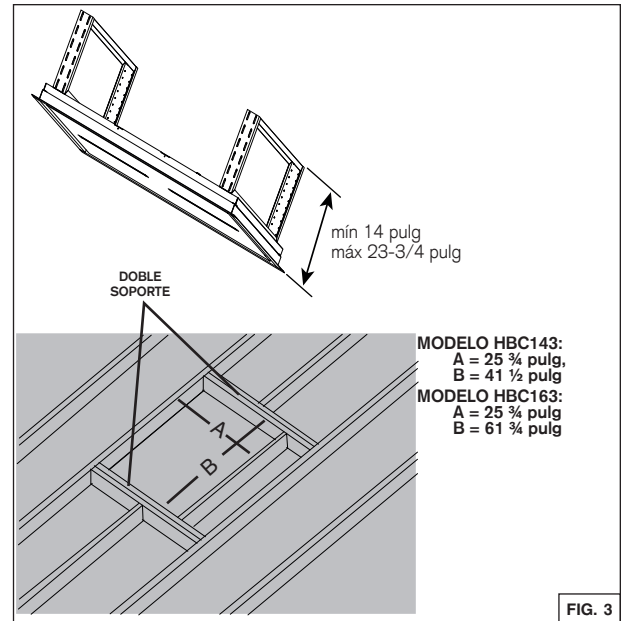


FIG. 3

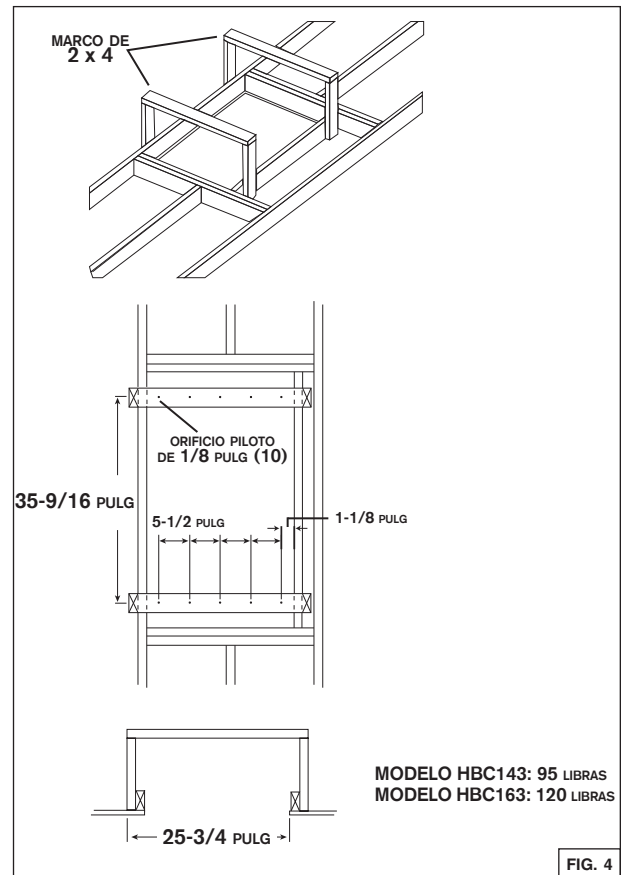


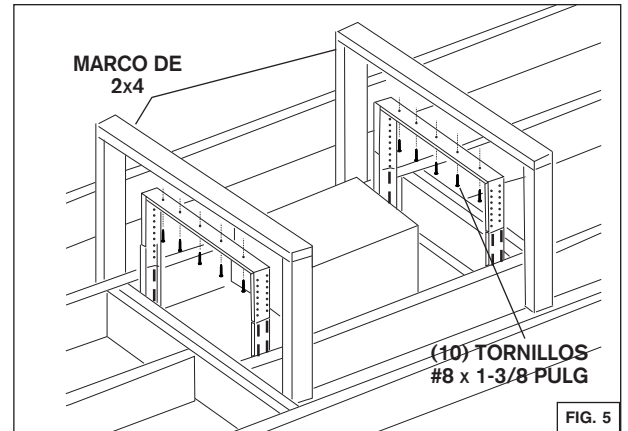
FIG. 4

INSTALACIÓN DE LA CAMPANA

PRECAUCIÓN

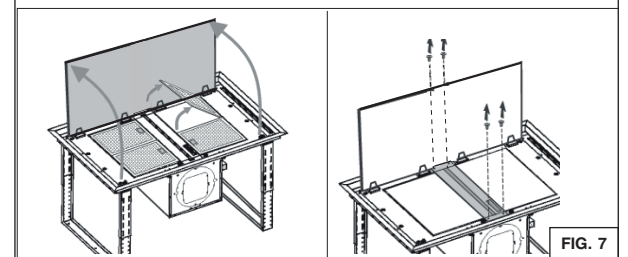
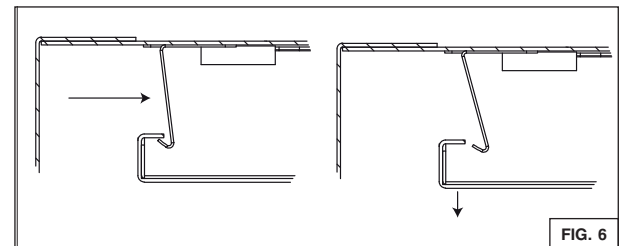
Se recomienda que al menos tres instaladores hagan la instalación debido al gran tamaño y peso de esta campana.

1. Ajustar la altura de la carcasa del soporte telescópico para garantizar un ajuste apretado entre la campana y el acabado del techo. La altura de la carcasa del soporte telescópico debe ser la misma que la altura del marco del soporte de la campana.
2. Levantar la campana en la abertura en el techo.
3. Sujetar cada carcasa del soporte telescópico al marco del soporte de la campana usando 10 tornillos # 8 x 1-3/8 pulg. suministrados. Ver la FIG. 5.
4. Conectar los conductos. Usar cinta adhesiva metálica de 2 pulg. de largo para sellar las uniones entre las secciones de conductos.
5. Realizar las conexiones eléctricas. Ver la sección CONEXIÓN ELÉCTRICA.



PREPARACIÓN DE LA CAMPANA PARA LA CONEXIÓN ELÉCTRICA Y LA INSTALACIÓN DEL VENTILADOR

1. Presionar las lengüetas de fijación (2) en los extremos del panel. Ver la FIG. 6.
2. Abrir el panel y quitar los filtros de malla. Ver la FIG. 7.
3. Para mejorar el acceso por la instalación del ventilador, quitar el panel central destornillando los tornillos 3/16 x 1/4 pulg. Ver la FIG. 7.



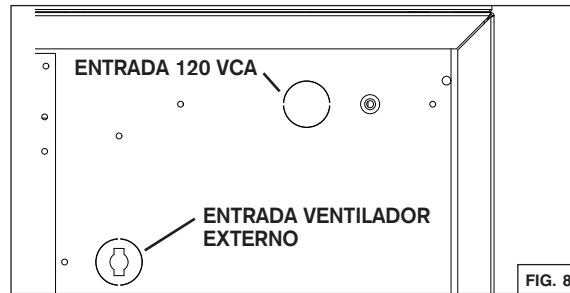
PRECAUCIÓN

De ser necesario, volver a instalar los filtros de malla y el panel central (ver la FIG. 7). Asegúrese de que las lengüetas de fijación estén en su lugar una vez la instalación terminada (ver la FIG. 6).

CONEXIÓN ELÉCTRICA

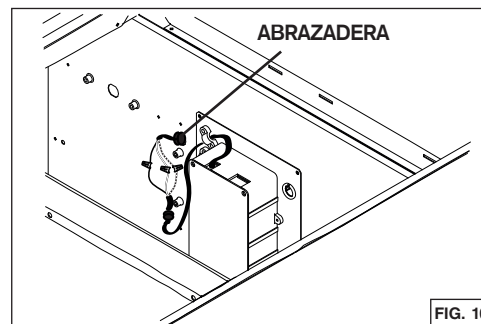
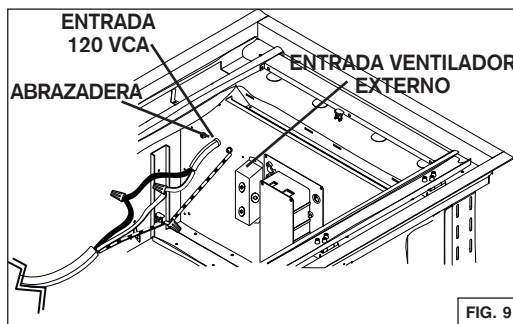
⚠ ADVERTENCIA

Peligro de choque eléctrico. La instalación eléctrica debe ser hecha por personal calificado de acuerdo con todos los códigos aplicables y normas. Antes de efectuar el empalme, cortar la alimentación eléctrica del interruptor y cerrar con seguridad para prevenir una alimentación accidental.



Conexión al suministro eléctrico de la casa

1. Localizar la caja de conexiones del suministro eléctrico de la casa (ver las FIG. 8 y 9) y quitar la tapa de la caja de conexiones.
2. Instalar una abrazadera de cables de 7/8 pulg. de diámetro homologada UL (no incluida) en el cable del suministro eléctrico de la casa. Pasar el cable del suministro eléctrico de la casa en la carcasa y usar una abrazadera para sujetarlo.
3. Conectar el cable del suministro eléctrico usando los capuchones de conexión incluidos. Conectar el hilo NEGRO al hilo NEGRO, el hilo BLANCO al hilo BLANCO y el hilo VERDE o pelado al hilo VERDE. NO OLVIDE CONECTAR LA TOMA DE TIERRA. Ver la FIG. 9.



4. Volver a instalar la tapa de la caja de conexiones. Asegúrese de que todos los hilos estén al interior de la tapa de la caja de conexiones.

Conexión del ventilador externo

1. Localizar la caja de conexiones del ventilador externo (ver las FIG. 8 y 10) y quitar la tapa de la caja de conexiones. Perforar el orificio punzonado en la carcasa. Ver la FIG. 8 por la posición del orificio punzonado. Quitar el protector del hilo.
2. Instalar una abrazadera de cables de 7/8 pulg. de diámetro homologada UL (no incluida) en el cable del ventilador externo. Pasar el cable del ventilador externo en la carcasa y usar una abrazadera para sujetarlo.
3. Conectar el cable del ventilador externo usando los capuchones de conexión incluidos. Conectar el hilo NEGRO al hilo NEGRO, el hilo BLANCO al hilo BLANCO y el hilo VERDE o pelado al hilo VERDE. NO OLVIDE CONECTAR LA TOMA DE TIERRA. Ver la FIG. 10.
4. Volver a instalar la tapa de la caja de conexiones. Asegúrese de que todos los hilos estén al interior de la tapa de la caja de conexiones.

ATENCIÓN

Asegúrese de no atascar ningún hilo al volver a colocar la tapa.

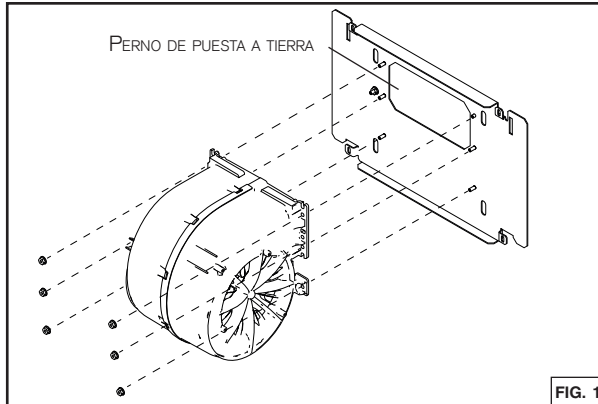
INSTALACIÓN DEL VENTILADOR

Esta campana es compatible con los ventiladores siguientes. Elegir un modelo de ventilador entre ellos: ventilador interno - PM6 o PM12, ventilador exterior - EB9 o EB15, ventilador en línea - ILB6, ILB9 o ILB11. Para un ventilador exterior o en línea, ver las instrucciones de instalación incluidas con el ventilador para más detalles.

NOTA: La placa de montaje incluida con el ventilador exterior no se requiere por la campana para techo.

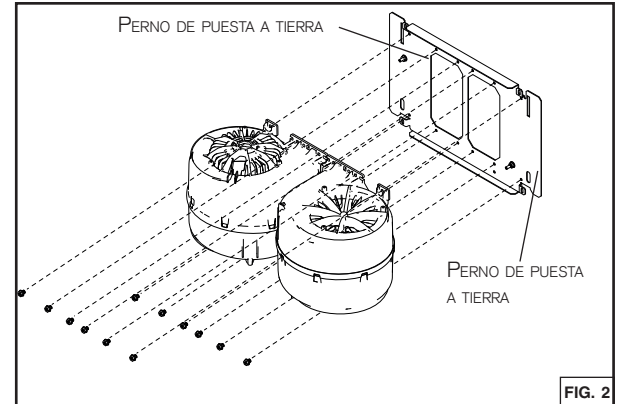
INSTALACIÓN DEL VENTILADOR PM6 O PM12

Instalación de la placa del ventilador PM6



1. Fijar el ventilador a la placa usando (6) tuercas hexagonales 10-24 (incluidas).
2. Fijar el hilo de puesta a tierra del ventilador al perno de puesta a tierra usando (1) tuerca hexagonal 10-24 (incluida).

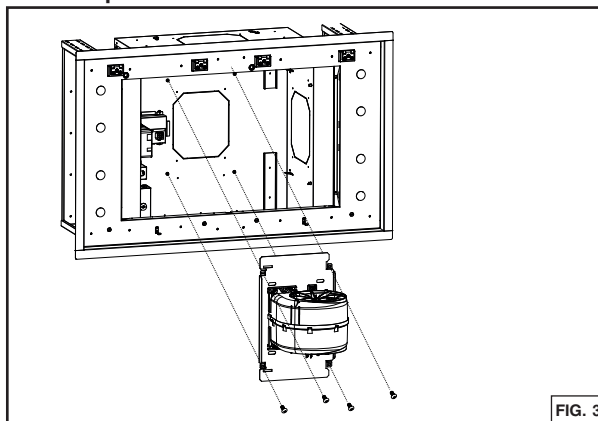
Instalación de la placa del ventilador PM12



1. Fijar los ventiladores a la placa usando (12) tuercas hexagonales 10-24 (incluidas).
2. Fijar los hilos de puesta a tierra de los ventiladores a los pernos de puesta a tierra usando (2) tuercas hexagonales 10-24 (incluidas).

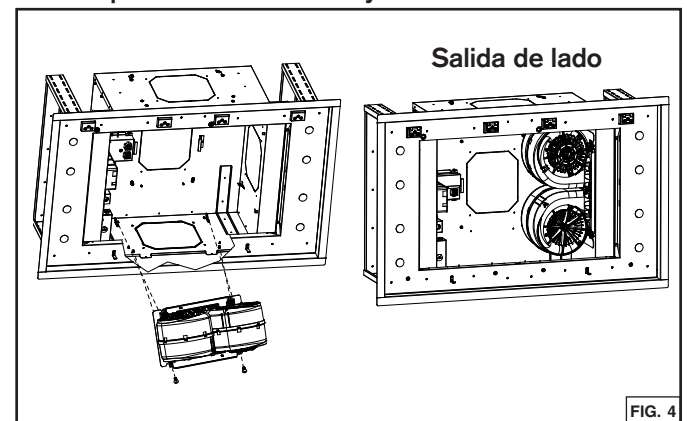
NOTAS: Hay cuatro (4) posiciones de salida posibles para PM6 y PM12: por encima, delantera, trasera y lado. Quitar el orificio punzonado de la salida elegida en la carcasa antes de instalar el ventilador en la campana. Se puede instalar el ventilador antes o después la instalación de la campana en el techo. Sin embargo, es más fácil instalar la campana en el techo sin el ventilador interno instalado. Se puede instalar la compuerta en la carcasa antes de instalar la campana en el techo con las posiciones de salida Lado y Por encima solamente. De otro modo, se debe instalar la compuerta en la carcasa una vez la campana instalada en el techo. Fijar la compuerta en la parte externa de la campana usando tornillos 8-18 (incluidos). Compuerta de 10 pulg. (incluida con la campana) para el conjunto del ventilador PM12, compuerta de 8 pulg. (incluida con el conjunto del ventilador PM6) para el conjunto del ventilador PM6.

Instalación del ventilador con salida por encima (PM6 mostrado en las FIG. 3 y 5). Seguir el mismo método para PM12.



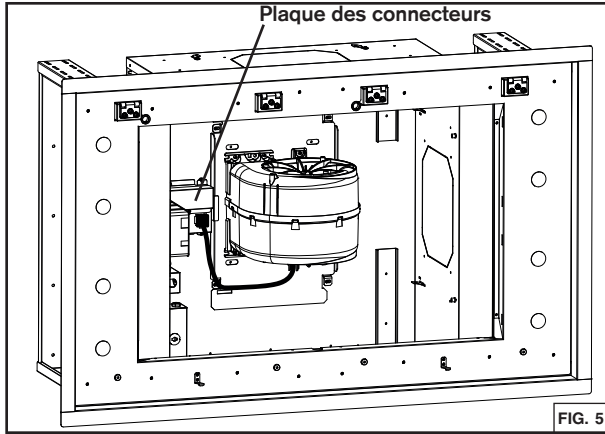
1. Fijar la placa del ventilador a la campana usando (4) tornillos 10-24 (incluidos) como se muestra arriba.

Instalación del ventilador con salida delantera/trasera (PM12 delantera mostrado en las FIG. 4 y 6). Seguir el mismo método para la salida de lado y con el ventilador PM6.



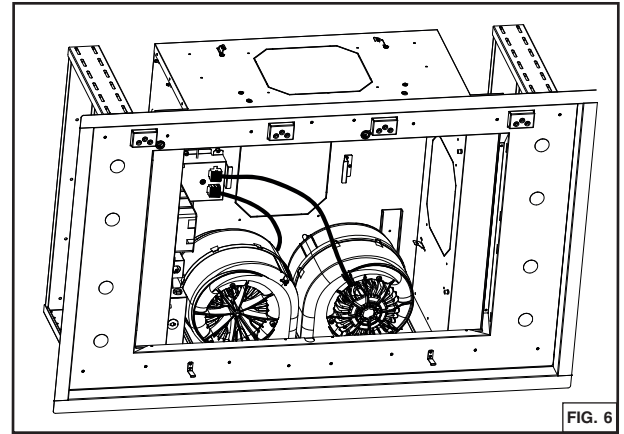
1. Fijar la placa del ventilador a la campana insertando los ganchos en las ranuras y usando (2) tornillos 10-24 (incluidos) como se muestra arriba.

Conexión del ventilador PM6



1. Girar la placa de los conectores para descubrir un conector.
2. Conectar el cable de alimentación en el conector como se muestra arriba.

Conexión del ventilador PM12



1. Quitar la placa de los conectores.
2. Conectar el cable de alimentación de cada ventilador en un conector como se muestra arriba.

Partes de servicio:

VENTILADOR (1) 600 PI³/MIN : S97021509

ADAPTADOR/COMPUERTA 8 pulg. REDONDO: SV08543

PROCEDIMIENTO DE PROGRAMACIÓN DEL VENTILADOR EXTERNO

Esta campana está diseñada para utilizarse con diferentes modelos de ventilador. Antes de utilizar la campana, el control debe programarse según el modelo de ventilador para alcanzar una velocidad de funcionamiento adecuada:

1. Encontrar el número de AJUSTE que corresponde al modelo de ventilador instalado en su campana.

AJUSTE 1	AJUSTE 2	AJUSTE 3 (por defecto)
ILB6	EB15	EB9
	ILB9	ILB11

NOTA: Si no se pulsa ningún botón durante más de 3 segundos mientras la campana está en modo programación, la campana saldrá del modo programación sin guardar los cambios.

2. La campana se debe alimentar, pero el ventilador y las luces deben apagarse.
3. Para cambiar el ajuste, presionar los botones **VENTILADOR** y **LUCES** simultáneamente y mantenerlos pulsados durante 6 segundos, soltar, y:
 - Para programar la campana a **AJUSTE 1**, presionar el botón **VENTILADOR** hasta que el botón **1** se ilumine solo.
 - Para programar la campana a **AJUSTE 2**, presionar el botón **VENTILADOR** hasta que los botones **1** y **2** se iluminen.
4. Presionar el botón **TEMPORIZADOR DE APAGADO** para guardar los cambios y salir del modo programación.
5. De ser necesario, verificar el ajuste actual de la campana. Para ello:
 - Presionar los botones **VENTILADOR** y **LUCES** simultáneamente y mantenerlos pulsados durante 6 segundos y soltar. Diferentes combinaciones de botones **VELOCIDAD (1 a 4)** se iluminarán durante 3 segundos, según el ajuste.

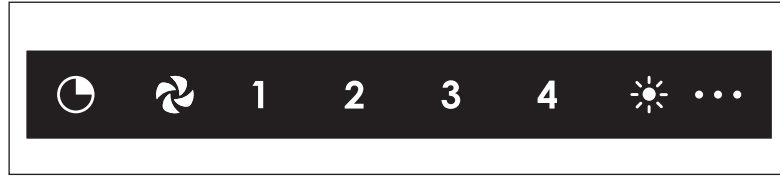
Si ajustado a **AJUSTE 3**, los botones **VELOCIDAD 1, 2, 3 y 4** se iluminarán.

Si ajustado a **AJUSTE 2**, los botones **VELOCIDAD 1 y 2** se iluminarán.

Si ajustado a **AJUSTE 1**, el botón **VELOCIDAD 1** se iluminará.

NOTA: Para restablecer el ajuste por defecto, presionar los botones **VENTILADOR** y **LUCES** simultáneamente y mantenerlos pulsados durante 6 segundos y soltar. Diferentes combinaciones de botones **VELOCIDAD (1 a 4)** se iluminarán durante 3 segundos. Presionar el botón **LUCES** y mantenerlo pulsado durante 3 segundos y los botones **VELOCIDAD** parpadearán 3 veces. El ajuste está lo por defecto.

CONTROL



BOTÓN TEMPORIZADOR DE APAGADO

Cuando se activa, el icono se enciende y la velocidad actual del ventilador se mantiene efectiva durante 10 minutos y después el ventilador se apaga. La velocidad del ventilador se puede modificar durante el plazo de 10 minutos. Para desactivar la función temporizador de apagado, presionar el botón temporizador de apagado.



BOTÓN VENTILADOR

Cuando se activa, el icono se enciende y el ventilador funciona a la última velocidad grabada. Si no hay velocidad grabada, el ventilador funcionará a la velocidad 1.

Para modificar la velocidad del ventilador, presionar el botón de la velocidad deseada (1, 2, 3 o 4). El botón de la velocidad actual se encenderá.

Para apagar el ventilador, presionar el botón ventilador o presionar el botón de la velocidad actualmente en función.



BOTÓN DE LAS LUCES

Cuando se activa, el icono se enciende con el/los punto(s), a la derecha del icono, que representa(n) la intensidad de la iluminación. Presionando una vez el botón, el primer punto se encenderá. Presionando dos veces el botón, el primer y el segundo puntos se encenderán. Presionando tres veces el botón, los tres puntos se encenderán.

Para apagar las luces, presionar una cuarta vez el botón.

NOTA: Un control remoto está incluido con la campana. Ver las instrucciones incluidas con el control remoto para obtener más detalles.

MANTENIMIENTO

SIEMPRE DESCONECTE LA FUENTE DE ALIMENTACIÓN ANTES DE REALIZAR CUALQUIER INTERVENCIÓN SOBRE ESTE APARATO

Filtro(s) de grasa

El/Los filtro(s) debe(n) limpiarse con frecuencia. Utilice una solución de detergente con agua templada. El/Los filtro(s) puede(n) lavarse en el lavavajillas.

Limpie el/los filtro(s) en el lavavajillas con un detergente sin fosfato. El filtro podría descolorarse si se utiliza un detergente con fosfato o debido al tipo de agua, pero esto no afecta su funcionamiento. Este descoloramiento no está cubierto por la garantía. A fin de reducir al mínimo o prevenir la descoloración, lave los filtros a mano con un detergente suave.

LIMPIEZA DEL ACERO INOXIDABLE

A hacer :

- Lávelo regularmente con un trapo limpio empapado con una disolución de agua tibia y jabón suave o detergente para lavar vajillas.
- Limpie siempre en la dirección de las líneas de pulido.
- Enjuague siempre bien con agua limpia (2 o 3 veces) después de limpiar. Séquelo completamente.
- También puede usar un producto limpiador doméstico para acero inoxidable.

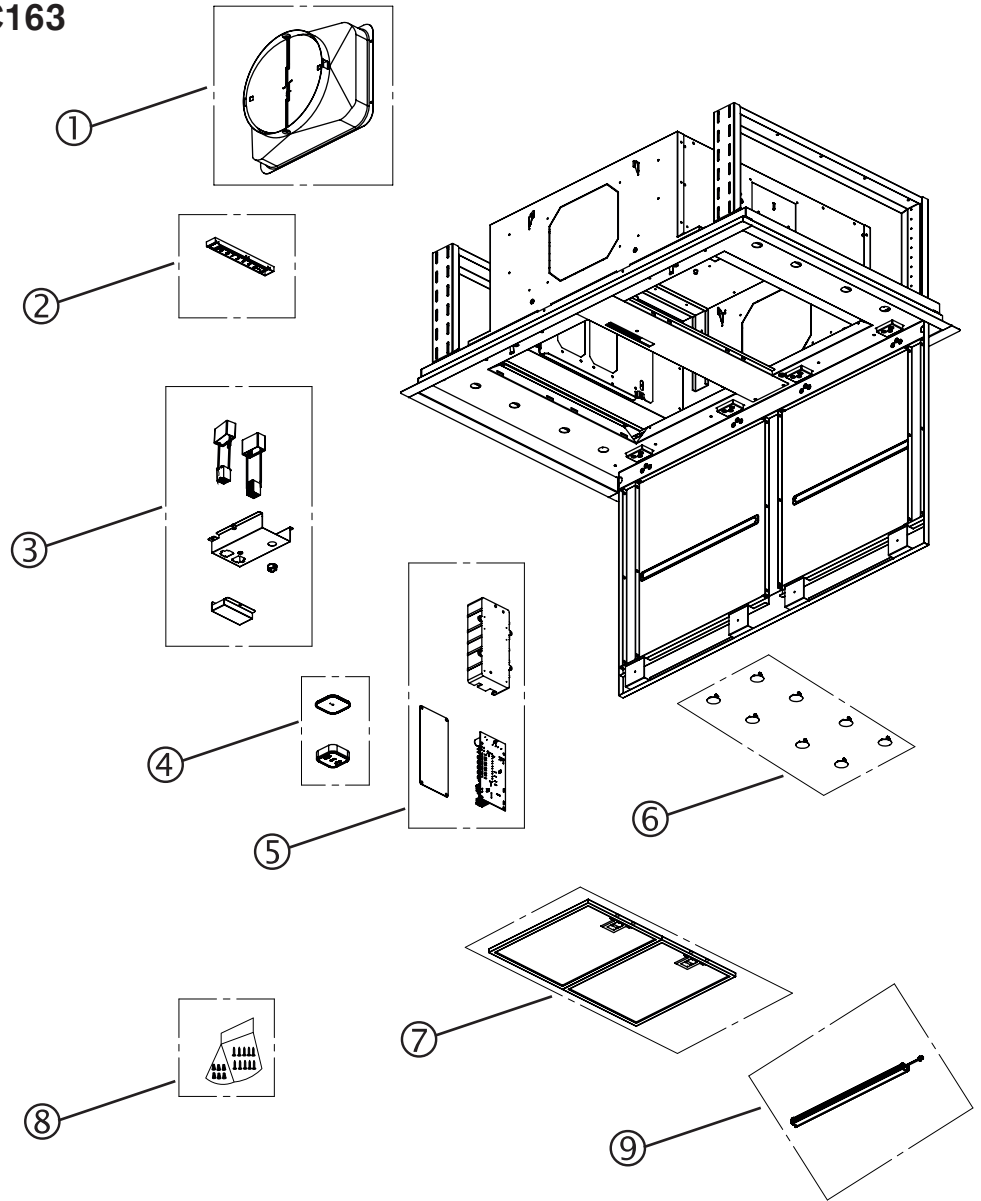
À no hacer :

- Usar lana de acero o de acero inoxidable o un rascador para quitar la suciedad más incrustada.
- Usar productos limpiadores agresivos o abrasivos.
- Dejar que se acumule la suciedad.
- Permitir que el polvo de yeso u otros residuos de construcción entren en contacto con la campana. Durante los trabajos de construcción o renovación, cubra la campana para evitar que el polvo se adhiera a las superficies de acero inoxidable.

Al elegir un detergente, evite :

- Los productos limpiadores que contengan blanqueador (lejía) ya que dañarán el acero inoxidable.
- Los productos que contengan: **cloruro, fluoruro, yoduro, bromuro**, ya que deteriorarán las superficies rápidamente.
- Los productos combustibles que se usan para limpiar, tales como **acetona, alcohol, éter, bencol**, etc., ya que son muy explosivos y no deberían usarse nunca cerca de una cocina.

HBC143, HBC163



INSTRUCCIONES DE INSTALACIÓN, USO Y CUIDADO

PARTES DE SERVICIO

N.º	N.º DE PIEZA	DESCRIPCIÓN	CANT
1	S1106832	ADAPTADOR 10 PULG. REDONDO CON COMPUERTA	1
2	S1106831	INTERFAZ DE USUARIO	1
3	S1106829	CONJUNTO CONDENSADOR	1
4	S1106833	CONJUNTO CONTROL REMOTO	1
5	S1106828	CONJUNTO UNIDAD DE POTENCIA	1
6	S1106836	TAPAS DE PLÁSTICO (8)	1
7	S1106835	FILTROS (JUEGO DE 2)	1
8	S1106834	BOLSA DE PIEZAS (6 CAPUCHONES DE CONEXIÓN Y 10 TORNILLOS)	1
9	S1106827	MÓDULO LED (1)	1



GARANTÍA LIMITADA DE CINCO AÑOS PARA PRODUCTOS BEST®

Periodo de garantía y exclusiones: Broan-NuTone LLC (la «Compañía») garantiza al consumidor quien compra su producto («Usted») que el producto (el «Producto») será libre de defectos importantes de fabricación y de materiales por una duración de cinco (5) años a partir de la fecha de compra (o por una duración más larga si la ley aplicable lo exige) o un periodo de dos (2) años a partir de la fecha de prestación de un servicio sobre el Producto.

El periodo de garantía limitada para las piezas de repuesto proporcionadas por la Compañía y los Productos reparados o reemplazados bajo esta garantía limitada será el resto del periodo de garantía original (o un periodo más largo si la ley aplicable lo exige).

ESTA GARANTÍA EXCLUYE LOS ARRANCADORES DE LÁMPARAS FLUORESCENTES, LOS TUBOS, LAS BOMBILLAS, LOS FUSIBLES, LOS FILTROS, LOS CONDUCTOS, LAS TAPAS PARA TECHO, LAS TAPAS PARA PARED Y LOS OTROS ACCESORIOS PARA CONDUCTOS. También excluye: a) el mantenimiento normal, b) el uso y desgaste normales, c) los productos y las piezas que han sido objeto de un uso indebido, anormal o negligente, un maltrato, un accidente, un mantenimiento, almacenamiento o reparación inadecuados (excepto en caso de reparación por la Compañía), d) los daños causados por una instalación inadecuada, o por una instalación o un uso contrario a las recomendaciones o instrucciones, e) los daños causados por el contacto con el aire salino, f) los daños que ocurran durante el transporte, g) el desgaste normal del acabado, h) los Productos que son objeto de un uso comercial o no residencial, i) los daños causados por el fuego, una inundación u otro desastre natural o j) los Productos a los cuales se les haya alterado, desfigurado o removido el número de serie. Esta garantía solo cubre los Productos vendidos a consumidores de Norteamérica.

Esta garantía substituye todas las garantías anteriores y, sin perjuicio de la ley aplicable, no se puede transferir por el comprador original.

Ninguna otra garantía: Esta garantía limitada enuncia la única obligación de la Compañía y el único recurso que tiene Usted en cuanto a los Productos defectuosos. Las garantías enunciadas arriba son exclusivas y se anteponen a todas las otras garantías y condiciones, ya sean expresas o implícitas. **EN LA MEDIDA MÁXIMA EN QUE LO PERMITA LA LEY APPLICABLE, LA COMPAÑÍA RENUNCIA A TODAS LAS OTRAS GARANTÍAS Y CONDICIONES EXPRESAS O IMPLÍCITAS POR LA LEY Y LAS EXCLUYE, INCLUYENDO, ENTRE OTRAS, LAS GARANTÍAS DE COMERCIALIZACIÓN Y LAS DE IDONEIDAD PARA UN PROPÓSITO PARTICULAR.** En la medida en que la ley aplicable prohíba la exclusión de las garantías o condiciones implícitas, la duración de cualquier garantía o condición implícita aplicable se limita al periodo indicado para la garantía expresa mencionada arriba. Ciertas jurisdicciones (incluyendo a veces la provincia de Quebec o ciertos estados de los Estados Unidos) prohíben la restricción de

la duración de las garantías implícitas, así que la restricción mencionada arriba podría no aplicarse a Usted. Las descripciones orales o escritas del Producto tienen como único propósito identificar al Producto y no se deben interpretar como una garantía expresa.

Cuando sea posible, cada disposición de esta garantía limitada se debe interpretar de manera que tenga plena validez y efectos legales bajo la ley aplicable, pero en el caso de que se declare prohibida o nula una disposición, ésta será nula solo en la medida en que lo prevea esta prohibición o nulidad, sin efecto para los otros elementos de esta disposición o las otras disposiciones de esta garantía limitada.

Recurso: Durante el periodo de garantía limitada aplicable, la Compañía, según su criterio, proporcionará piezas de repuesto o servicios de reparación o reemplazo sin cargo alguno para cualquier Producto o pieza de Producto, en la medida en que la Compañía constata a) que esta garantía cubre este Producto o esta pieza bajo un uso y mantenimiento normales y b) que la garantía queda incumplida. La Compañía le enviará el Producto reparado, el producto de reemplazo o las piezas de repuesto sin cargo alguno. Usted tendrá que pagar todos los costos de desinstalación, reinstalación y envío así como los otros cargos de transporte relacionados con el envío del Producto o la pieza a la Compañía. Si Usted debe enviar el Producto o la pieza a la Compañía, conforme a las instrucciones de la misma, Usted tendrá que empaquetar el Producto o la pieza correctamente; la Compañía no es responsable de los daños que ocurran durante el transporte. La Compañía se reserva el derecho de utilizar Productos o piezas reacondicionados, renovados, reparados o remanufacturados para la reparación o el reemplazo bajo esta garantía. Estos Productos y piezas serán comparables en cuanto a la función y el rendimiento con el Producto o la pieza original y serán garantizados por la duración restante del periodo de garantía original (o por una duración más larga si la ley aplicable lo exige).

La Compañía se reserva el derecho, según su exclusivo criterio, de reembolsar el monto que Usted haya realmente pagado por el Producto. Si el Producto o la pieza ya no está disponible, la Compañía puede, según su exclusivo criterio, reemplazarlo con un producto similar de valor igual o superior. Esto constituye su único y exclusivo recurso en caso de incumplimiento de esta garantía limitada.

Exclusión de los daños: LA OBLIGACIÓN DE LA COMPAÑÍA DE PROPORCIONAR PIEZAS DE REPUESTO O DE REPARAR O REEMPLAZAR EL PRODUCTO, SEGÚN SU CRITERIO, ES EL ÚNICO Y EXCLUSIVO RECURSO QUE TIENE USTED BAJO ESTA GARANTÍA LIMITADA Y LA ÚNICA OBLIGACIÓN DE LA COMPAÑÍA. ÉSTA NO SERÁ RESPONSABLE DE LOS DAÑOS INCIDENTALES, INDIRECTOS, CONSECUENTES O ESPECIALES CAUSADOS DIRECTAMENTE O INDIRECTAMENTE POR EL PRODUCTO, SU USO O SU RENDIMIENTO.

Puesto que ciertas jurisdicciones prohíben la exclusión o restricción de los daños incidentales o consecuentes, la exclusión o restricción mencionada arriba podría no aplicarse a Usted. Esta garantía le otorga derechos legales específicos, y Usted también podría tener otros derechos, los cuales pueden ser diferentes según la jurisdicción. Las renunciaciones, exclusiones y restricciones de responsabilidad bajo esta garantía no se aplican en la medida en que lo prohíba la ley aplicable. Esta garantía solo cubre el reemplazo o la reparación de las piezas o los Productos defectuosos al sitio de negocio principal de la Compañía; los gastos de viaje y estancia relacionados con los servicios de campo están excluidos.

Cualquier asistencia proporcionada u obtenida para Usted por la Compañía y que no está cubierta por las condiciones, restricciones o exclusiones de esta garantía limitada no constituye una renuncia a estas condiciones, restricciones y exclusiones, y la prestación de dicha asistencia no prolongará o restablecerá la garantía.

La Compañía no le reembolsará los gastos que Usted haya hecho por la reparación o el reemplazo de un Producto defectuoso, excepto si Usted ha previamente recibido el permiso escrito de la Compañía por ellos.

Cómo obtener el servicio de garantía: Para tener derecho al servicio de garantía, Usted debe a) informar la Compañía a la dirección o al número de teléfono escrito aquí abajo dentro de siete (7) días después de que haya descubierto el defecto cubierto, b) dar el número de serie y los datos de identificación de la pieza y c) describir la naturaleza de cualquier defecto del Producto o de la pieza. Cuando solicite el servicio de garantía, Usted tiene que presentar una prueba de la fecha de compra original. Si no puede proporcionar una copia de la versión escrita original de la garantía limitada, las condiciones de la versión más reciente de la garantía limitada de la Compañía para su producto se aplicarán.

ESPECIFICACIONES DEL PRODUCTO

Todas las ilustraciones y las especificaciones en este catálogo están establecidas según la información que era la más reciente en el momento en cual fue producido. Broan-NuTone LLC y BEST® se reservan el derecho de cambiar, en cualquier momento y sin previo aviso, los precios, colores, materiales, productos, especificaciones y modelos y el lugar de fabricación, así como de parar la producción de un modelo o producto.

BEST 926 West State Street, Hartford, Wisconsin 53027 BestRangeHoods.com 800 558-1711

BEST 550 Lemire Blvd., Drummondville, Québec, Canada J2C 7W9 BestRangeHoods.ca 800 567-3855