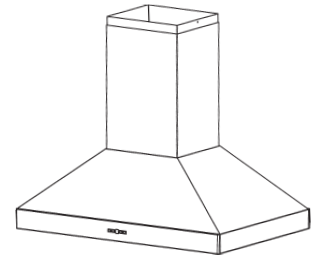


COLONNE ISLAND IPP9E SERIES RANGE HOOD



The traditional island chimney hood design from Italy has stood the test of time. The Colonne Island builds on this legacy with a new powerful design that looks spectacular from any angle, and at the same time, handles the needs of pro-style cooking.

FEATURES

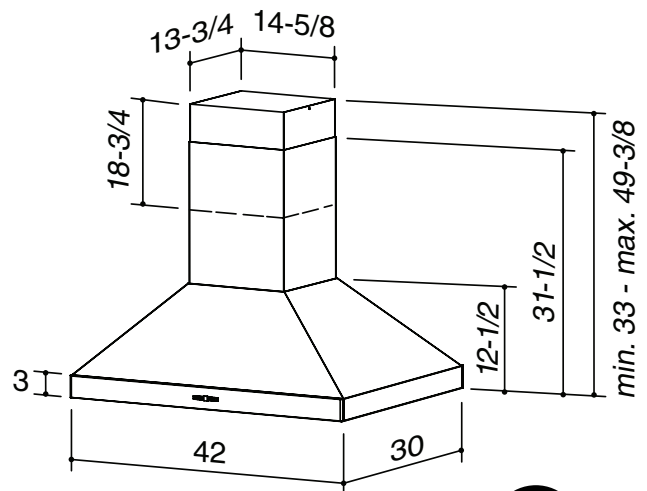
- Italian design
- Ceiling mounted island hood
- Finishes: 430 Stainless Steel, #4 Brushed
- Width: 42-in. Depth: 30"
- Telescopic flue accommodates 8' to 9' ceilings
- 10" round duct connector/backdraft damper
- 2-level halogen lamps, T4, G9, 25-Watt, Qty:4
- Three speed plus boost, electronic pushbuttons with display
- Use with exterior-mounted or inline remote blowers for different levels of exhaust capacity (see specifications - blower purchased separately)
- Heat Sentry™ - automatically turns blower to high speed when excess cooking heat is detected
- Delay timer control automatically shuts off range hood after 10 minutes
- Special control indicates when it's time to clean the filter
- Dishwasher-safe filter features a quick-release latch
- For indoor use only

OPTIONS (Not included with hood. Purchase separately.)

- Flue extension for 10-ft. to 11-ft. ceilings (Model AEIPP9SB, stainless steel)
- Make-up air damper (MD6TU, MD8TU, MD10TU)
- Remote control (Model ACR2 or ACR3)
- Universal make-up air damper (MD6TU, MD8TU, MD10TU)

SPECIFICATIONS

WITH OPTIONAL BLOWER MODELS		BLOWER CFM	VOLTS	AMPS	DUCT
EB6	wall or roof mount exterior blowers	600 max.	120	0.84 (lights only) + 6.0 max. (blower only)	10-in. round at the hood. See blower specs for duct requirements.
EB9		900 max.			
EB12		1200 max.			
EB15		1500 max.			
ILB3	inline blowers	280 max.			
ILB6		600 max.			
ILB9		800 max.			
ILB11		1100 max.			



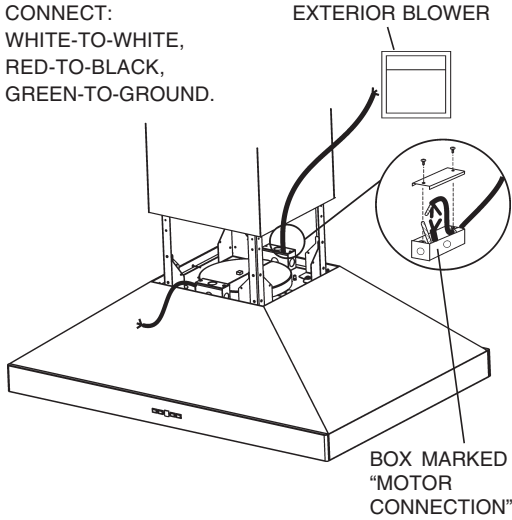
BEST Hartford, Wisconsin www.BestRangeHoods.com 800-558-1711
 BEST Drummondville, QC, Canada www.BestRangeHoods.com 866-737-7770

REFERENCE	QTY.	REMARKS	Project
			Location
			Architect
			Engineer
			Contractor
			Submitted by
			Date

IPP9E SERIES WIRING

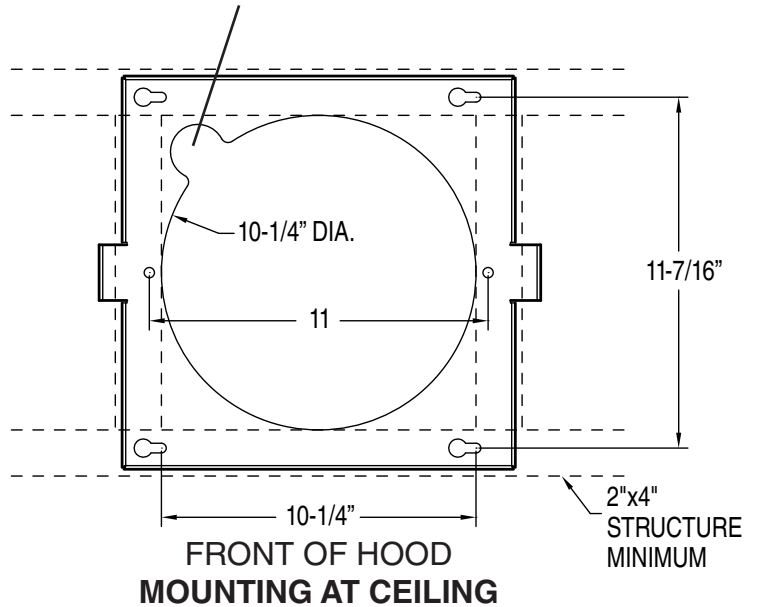
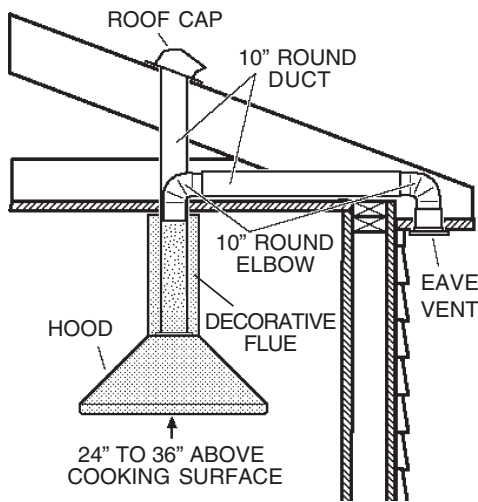
BLOWER CONNECTION AT HOOD

CONNECT:
WHITE-TO-WHITE,
RED-TO-BLACK,
GREEN-TO-GROUND.



LOCATION FOR INCOMING POWER TO HOOD.
PROVIDE 36-IN. OF WIRE FOR 8-FT. TO 9-FT. CEILINGS
AND 60-IN. OF WIRE FOR 10-FT. TO 11-FT. CEILINGS.

IPP9E SERIES MOUNTING



CEILING HEIGHT	HOOD DISTANCE ABOVE 36" HIGH COOK TOP (see notes below)												
	24"	25"	26"	27"	28"	29"	30"	31"	32"	33"	34"	35"	36"
	ASSEMBLED SUPPORT FRAME HEIGHT (IN.)												
8 FEET	24 ³ / ₄ "	23 ³ / ₄ "	22 ³ / ₄ "	21 ³ / ₄ "	---	---	---	---	---	---	---	---	---
9 FEET	---	---	---	33 ³ / ₄ "	32 ³ / ₄ "	31 ³ / ₄ "	30 ³ / ₄ "	29 ³ / ₄ "	28 ³ / ₄ "	27 ³ / ₄ "	26 ³ / ₄ "	25 ³ / ₄ "	24 ³ / ₄ "
10 FEET (see note b.)	48 ³ / ₄ "	47 ³ / ₄ "	46 ³ / ₄ "	45 ³ / ₄ "	44 ³ / ₄ "	43 ³ / ₄ "	42 ³ / ₄ "	41 ³ / ₄ "	40 ³ / ₄ "	39 ³ / ₄ "	38 ³ / ₄ "	---	---
11 FEET (see note b.)	---	---	---	---	56 ³ / ₄ "	55 ³ / ₄ "	54 ³ / ₄ "	53 ³ / ₄ "	52 ³ / ₄ "	51 ³ / ₄ "	50 ³ / ₄ "	49 ³ / ₄ "	48 ³ / ₄ "

--- Mounting height is not possible.

- Minimum hood distance above cook top must not be less than 24". A maximum of 36" above cook top is highly recommended for best capture of cooking impurities. Distances over 36" are at the installer and user's discretion; and if ceiling height and flue length permit.
- Requires optional 10-ft. to 11-ft. flue extension, ducted model AEIPP9SB.

