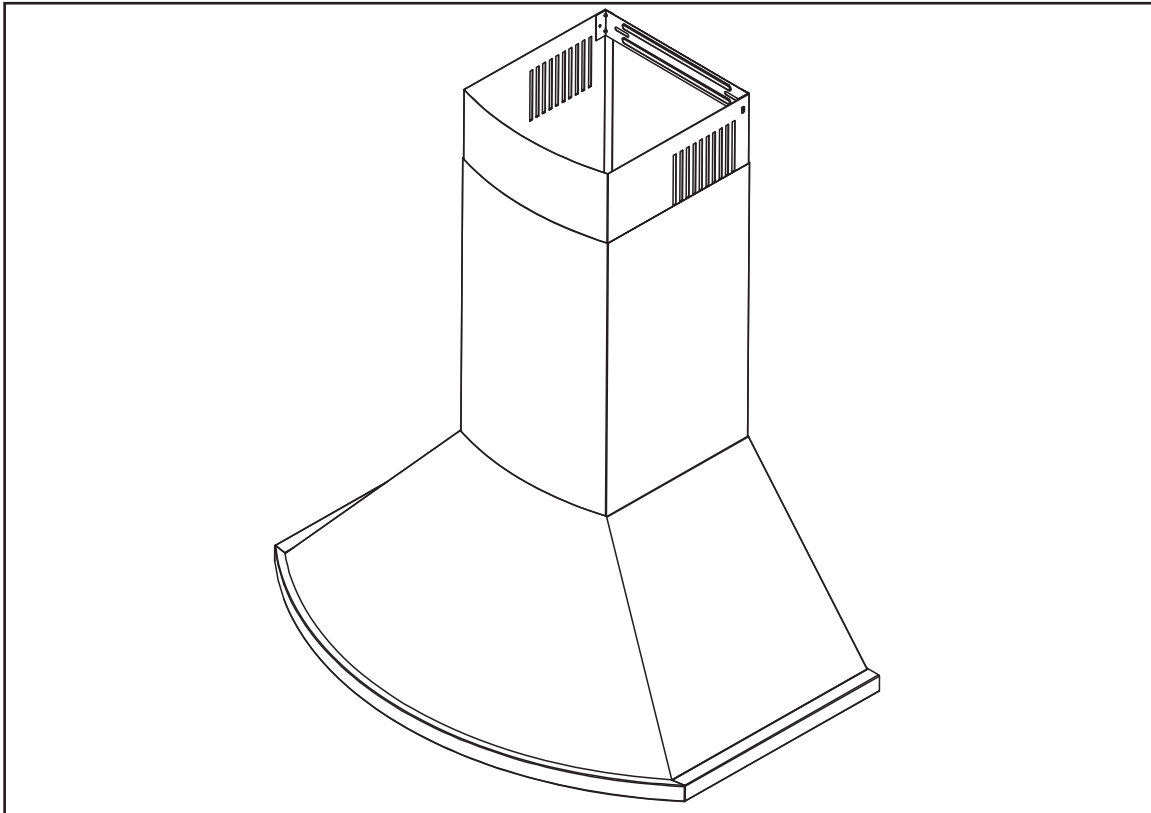


INSTALLATION INSTRUCTIONS

best®



WCN1 SERIES

⚠ INTENDED FOR DOMESTIC COOKING ONLY ⚠

READ AND SAVE THESE INSTRUCTIONS

INSTALLER: LEAVE THIS MANUAL WITH HOMEOWNER.
HOMEOWNER: USE AND CARE INFORMATION ON PAGE 10.

BEST; Hartford, Wisconsin www.BestRangeHoods.com 800 558-1711
BEST; Drummondville, QC, Canada www.BestRangeHoods.ca 866 737-7770

To register your product online or for additional information visit www.BestRangeHoods.com

⚠ WARNING

TO REDUCE THE RISK OF FIRE, ELECTRIC SHOCK OR INJURY TO PERSONS, OBSERVE THE FOLLOWING:

1. Use this unit only in the manner intended by the manufacturer. If you have questions, contact the manufacturer at the address or telephone number listed in the warranty.
2. Before servicing or cleaning unit, switch power off at service panel and lock service disconnecting means to prevent power from being switched on accidentally. When the service disconnecting means cannot be locked, securely fasten a prominent warning device, such as a tag, to the service panel.
3. Installation work and electrical wiring must be done by qualified personnel in accordance with all applicable codes and standards, including fire-rated construction codes and standards.
4. Sufficient air is needed for proper combustion and exhausting of gases through the flue (chimney) of fuel burning equipment to prevent backdrafting. Follow the heating equipment manufacturer's guidelines and safety standards such as those published by the National Fire Protection Association (NFPA) and the American Society for Heating, Refrigeration and Air Conditioning Engineers (ASHRAE) and the local code authorities.
5. When cutting or drilling into wall or ceiling, do not damage electrical wiring and other hidden utilities.
6. Ducted fans must always be vented to the outdoors.
7. Do not use this unit with any solid-state speed control device.
8. To reduce the risk of fire, use only metal ductwork.
9. This unit must be grounded.
10. When applicable local regulations comprise more restrictive installation and/or certification requirements, the aforementioned requirements prevail on those of this document and the installer agrees to conform to these at his own expense.

TO REDUCE THE RISK OF A RANGE TOP GREASE FIRE:

- a) Never leave surface units unattended at high settings. Boilovers cause smoking and greasy spillovers that may ignite. Heat oils slowly on low or medium settings.
- b) Always turn the hood ON when cooking at high heat or when flambeing food (i.e.: Crêpes Suzette, Cherries Jubilee, Peppercorn Beef Flambé).
- c) Clean ventilating fans frequently. Grease should not be allowed to accumulate on fan, filters or in exhaust ducts.
- d) Use proper pan size. Always use cookware appropriate for the size of the surface element.

⚠ WARNING

TO REDUCE THE RISK OF INJURY TO PERSONS IN THE EVENT OF A RANGE TOP GREASE FIRE, OBSERVE THE FOLLOWING*:

1. SMOTHER FLAMES with a close-fitting lid, cookie sheet or metal tray, then turn off the burner. BE CAREFUL TO PREVENT BURNS. IF THE FLAMES DO NOT GO OUT IMMEDIATELY, EVACUATE AND CALL THE FIRE DEPARTMENT.
 2. NEVER PICK UP A FLAMING PAN — You may be burned.
 3. DO NOT USE WATER, including wet dishcloths or towels — This could cause a violent steam explosion.
 4. Use an extinguisher ONLY if:
 - A. You own a Class ABC extinguisher and you know how to operate it.
 - B. The fire is small and contained in the area where it started.
 - C. The fire department has been called.
 - D. You can fight the fire with your back to an exit.
- * Based on "Kitchen Fire Safety Tips" published by NFPA.

CAUTION

1. For indoor use only.
2. For general ventilating use only. Do not use to exhaust hazardous or explosive materials and vapors.
3. To avoid motor bearing damage and noisy and/or unbalanced impeller, keep drywall spray, construction dust, etc. off power unit.
4. Your hood motor has a thermal overload which will automatically shut off the motor if it becomes overheated. The motor will restart when it cools down. If the motor continues to shut off and restart, have the hood serviced.
5. The minimum hood distance above cooktop must not be less than 24". For best capture of cooking impurities, the bottom of the hood should be at a maximum of 30" above the cooking surface.
6. Two installers are recommended because of the large size and weight of this unit.
7. To reduce the risk of fire and to properly exhaust air, be sure to duct air outside — Do not exhaust air into spaces within walls or ceiling or into attics, crawl space or garage.
8. Because of the high exhausting capacity of this unit, you should make sure enough air is entering the house to replace exhausted air by opening a window close to or in the kitchen.
9. To reduce the risk of fire and electrical shock, the Best WCN1 Series models should only be installed with their own built-in blower.
10. When used in recirculation mode, to reduce the risk of fire and shock, use only conversion kit model ANKWCN1.
11. Please read specification label on product for further information and requirements.

1. PREPARE INSTALLATION

NOTE: Before proceeding to the installation, check the contents of the box. If items are missing or damaged, contact the manufacturer.

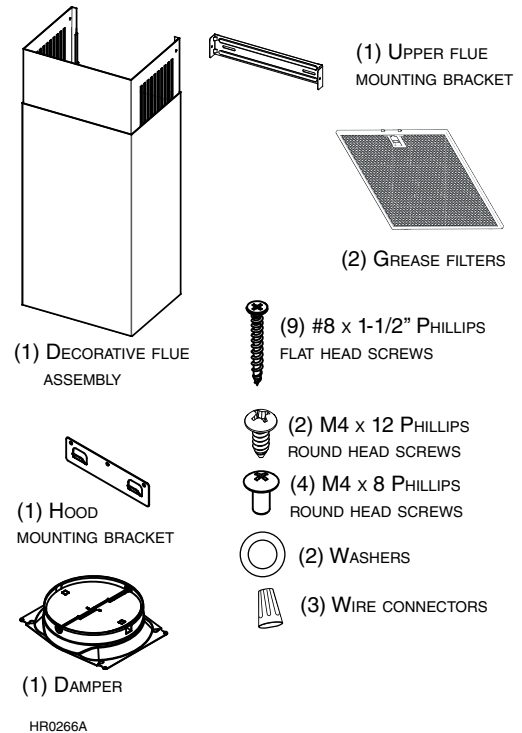
Make sure that the following items are included:

- Hood
- Accessories
 - Decorative flue assembly (lower and upper flues)
 - Hood mounting bracket
 - Upper flue mounting bracket
 - Aluminum grease filters
 - 8" round damper
 - Bag of parts including: 9 #8 x 1-1/2" Phillips flat head screws, 2 M4 x 12 Phillips round head screws, 4 M4 x 8 Phillips round head screws, 2 washers and 3 wire connectors
- Installation manual

Parts sold separately:

- Duct, elbows, wall or roof caps
- Optional baffle filters kit (set of 2) AFBWCN1
- Optional flue extension for 10'-11' ceilings model AEWCN1SS
- Non-duct kit model ANKWCN1, mandatory for non-ducted installation

NOTE: During installation, protect countertop and/or cooktop.



2. SELECT INSTALLATION TYPE

⚠ WARNING

When performing installation, servicing or cleaning the unit, it is recommended to wear safety glasses and gloves.

2.1 NON-DUCTED INSTALLATION

The ANKWCN1 non-duct kit is required for a non-ducted installation.

2.2 DUCTED INSTALLATION

Plan where and how the ductwork will be installed.

A straight, short duct run will allow the hood to perform most efficiently. Long duct runs, elbows and transitions will reduce the performance of the hood. Use as few of them as possible. Larger ducting may be required for longer duct runs.

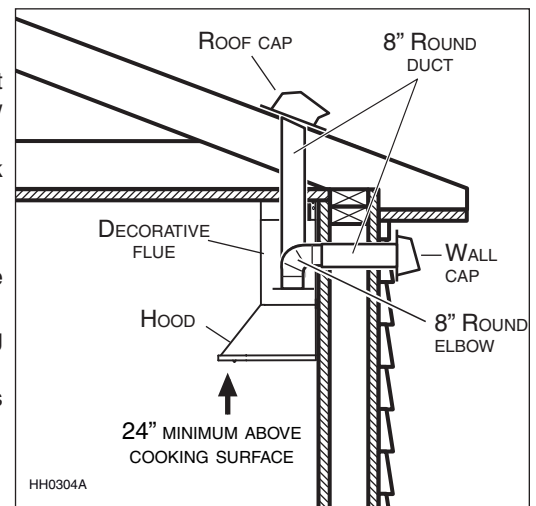
Install wall or roof cap. Connect 8" round metal ductwork to cap and work back towards the hood location. Use 2" metal foil duct tape to seal the joints.

2.3 ALL INSTALLATIONS

The minimum hood distance above cooktop is 24". A maximum of 30" above cooktop is recommended for best capture of cooking impurities.

Distances over 30" are at the installer and users discretion providing that ceiling height and decorative flue length allow it.

NOTE: 10'-11' ceilings require flue extension model AEWCN1SS (stainless steel).



3. INSTALL HOOD MOUNTING BRACKET

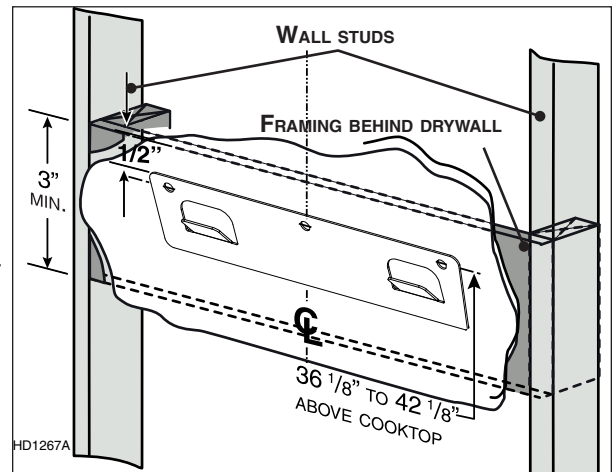
⚠ WARNING

- When cutting or drilling into wall, do not damage electrical wiring and other hidden utilities.
- When building framework, always follow all applicable construction codes and standards.

Construct wood wall framing that is even with the surface of wall studs. Wood wall framing must be at least 1/2" thick and 3" high. Fasten wood wall framing to wall studs for a solid installation.

Make sure that the height of the framing will allow the mounting bracket to be secured to the framing within the dimensions shown (see illustration at right).

After wall surface is finished, using a level, draw a vertical line up to the ceiling starting from the center of the planned hood location. Carefully center and level the hood mounting bracket over installation location. Secure it to wall framing using 3 #8 x 1-1/2" Phillips flat head screws.

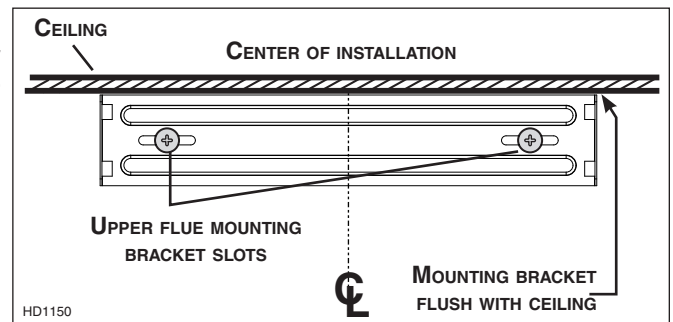


36 1/8" = BOTTOM OF HOOD 24" ABOVE COOKTOP
42 1/8" = BOTTOM OF HOOD 30" ABOVE COOKTOP

4. INSTALL UPPER FLUE MOUNTING BRACKET (DUCTED INSTALLATION ONLY)

Center the upper flue mounting bracket with the center line previously drawn in step 3 and place it flush with the ceiling. Use the upper flue mounting bracket as a template to mark the position of its screws.

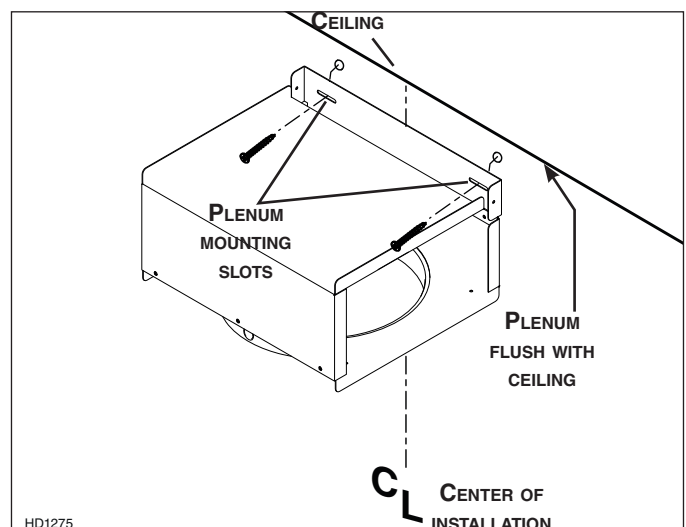
Secure the upper flue mounting bracket to the wall using 2 #8 x 1-1/2" Phillips flat head screws. Make sure that the bracket is tight against the wall.



5. INSTALL PLENUM (NON-DUCTED INSTALLATION ONLY)

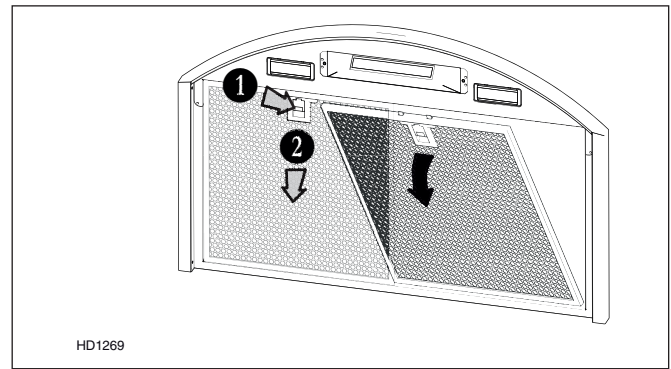
Center the plenum with the center line previously drawn in step 3 and place it flush with the ceiling. Use the plenum mounting slots as a template to mark the position of its screws.

Secure the plenum to the wall using 2 #8 x 1-1/2" Phillips flat head screws. Make sure that the plenum is tight against the wall.

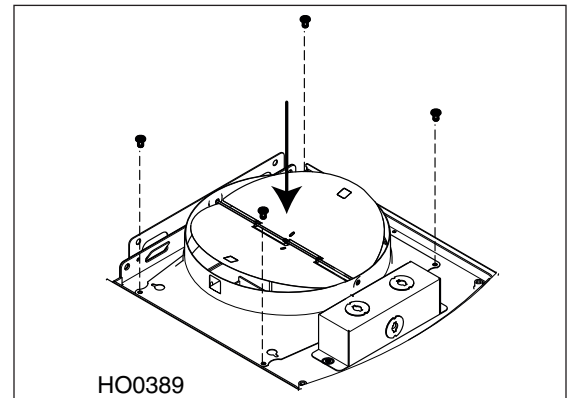


6. REMOVE GREASE FILTER(S)

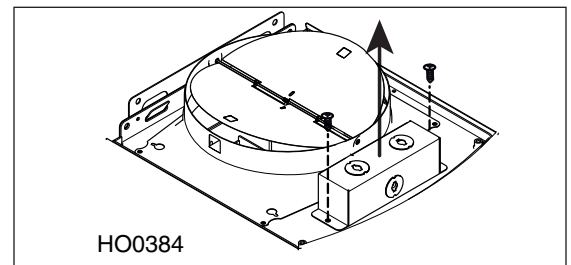
Lay the back side of the hood flat on a table. Use a piece of cardboard to avoid damaging the table or the hood.
To remove the grease filters, push the filter latch down and tilt each filter downward. Set filters aside.



Install the damper using 4 M4 x 8 Phillips round head screws.



Detach the junction box cover from the top of the hood by removing both retaining screws. Set aside the cover and the screws.

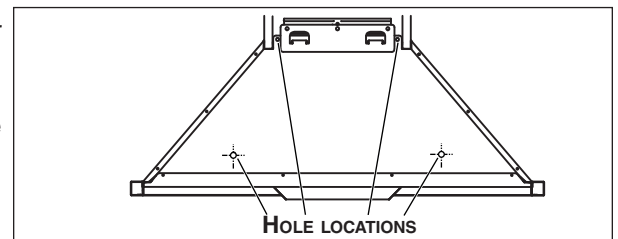


7. INSTALL THE HOOD

⚠ WARNING

BE CAREFUL when installing the decorative flue and hood, they may have sharp edges.

1. Align the hood and center it above the hood mounting bracket. Gently lower the hood until it securely engages the bracket.
2. Level the hood.
3. With the hood hanging in place, mark the four hole locations on wall (see illustration at right).
4. Remove the hood.
5. Drill through marked holes on wall using a 3/32" drill bit.
6. Hang the hood to the wall bracket.
7. Secure the hood to the wall using 2 #8 x 1-1/2" Phillips flat head screws for top holes. Use 2 washers and 2 #8 x 1-1/2" Phillips flat head screws for bottom holes.

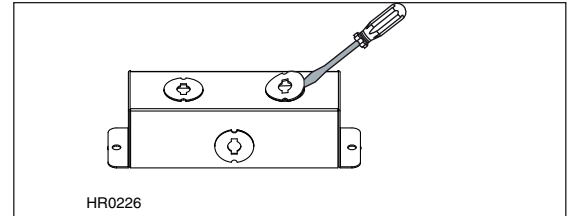


8. CONNECT WIRING

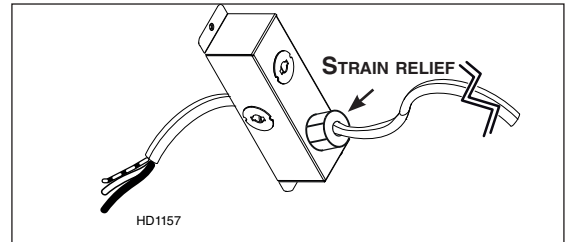
⚠ WARNING

Risk of electric shock. Electrical wiring must be done by qualified personnel in accordance with all applicable codes and standards. Before connecting wires, switch power off at service panel and lock service disconnecting means to prevent power to be switched on accidentally.

Remove a knockout from the junction box cover top previously set aside.

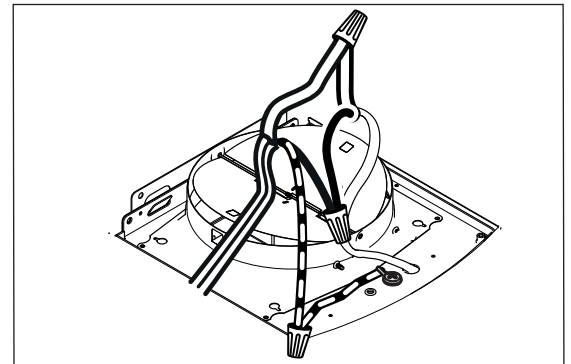


Install a UL approved strain relief (not included) on the house power cable at 4" from the cable end. Run the power cable in the junction box cover opening, then use the strain relief to secure the house power cable to the junction box cover.



Connect power cable to range hood wiring using included wire connectors. Connect BLACK to BLACK, WHITE to WHITE and GREEN or BARE WIRE to GREEN. **DO NOT FORGET TO CONNECT THE GROUND.**

Reinstall the junction box cover. Make sure all wires are inside the junction box cover.



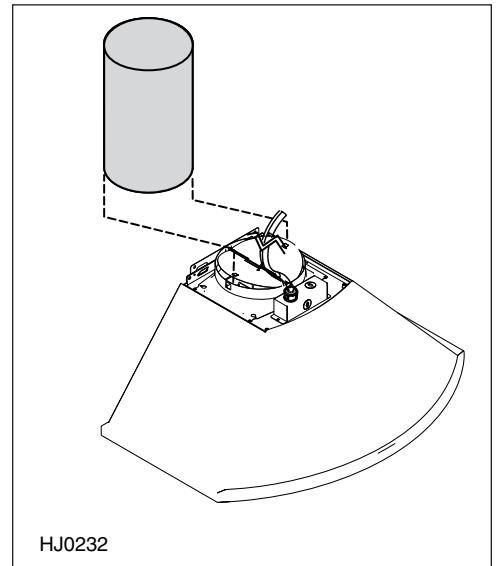
CAUTION

Make sure not to pinch any wire when reinstalling the junction box cover.

9. DUCT CONNECTION

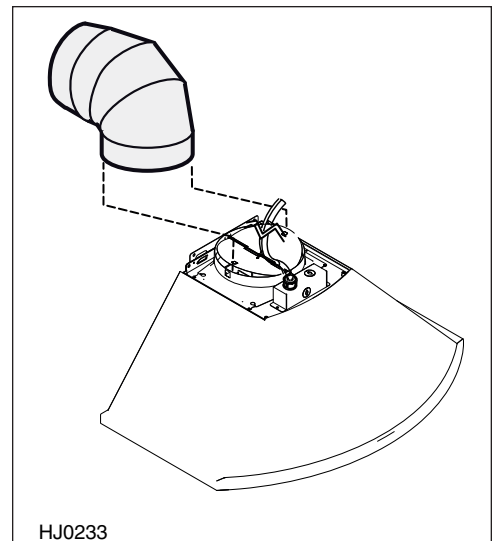
VERTICALLY DUCTED INSTALLATION:

Slide a 8" round metal duct section over the adapter/damper on the hood up to the roof cap. Use metal foil duct tape to seal the joint.



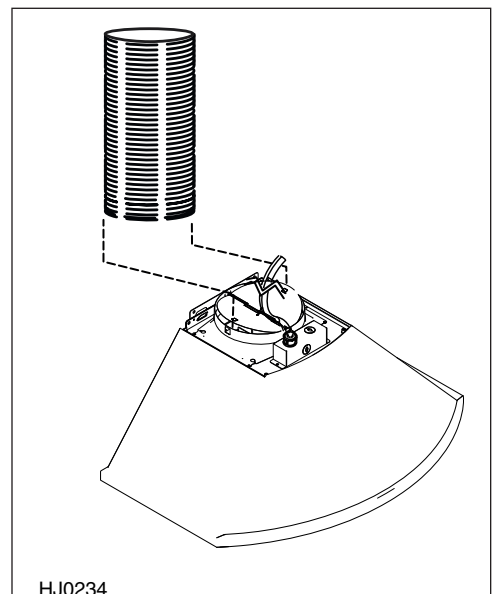
HORIZONTALLY DUCTED INSTALLATION:

Measure and install 8" round metal ductwork to wall cap and 90° elbow over duct collar then install the 90° elbow over the adapter/damper on the hood. Use metal foil duct tape to seal the joints.



NON-DUCTED INSTALLATION:

Remove the damper flaps. Measure the length of 8" round flexible duct (included in the non-duct kit) required from the top of the hood to the plenum. Slide the 8" round flexible metal duct over the adapter on the hood. Use metal foil duct tape to seal the joint.



10. PREPARE THE DECORATIVE FLUE

CAUTION

DO NOT REMOVE the protective plastic film covering the upper flue yet.

NOTE: Both lower and upper flues are included with the hood, but for ceilings of 9 ft. or more, discard the provided lower and upper flues and use the optional flue extension, part no. AEWCN1SS (sold separately).

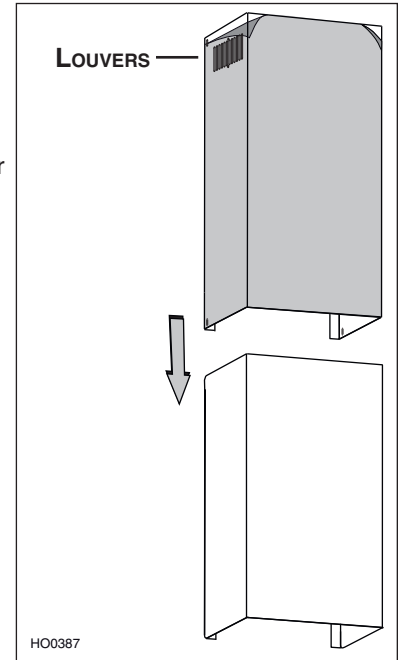
Remove the upper flue from inside the lower flue. Remove protective plastic film covering the lower flue only.

Peel off both corners at the top of the upper flue.

NOTE: For non-ducted installation only, remove enough plastic film to clear the louvers.

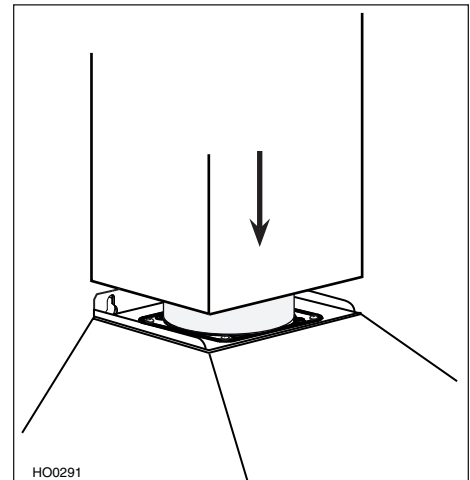
Gently slide upper flue inside lower flue, louvers end up.

NOTE: Upper flue can be reversed to hide louvers in some applications depending on installation heights.



11. INSTALL THE DECORATIVE FLUE

Carefully slide in place decorative flue base in the groove on the top of the hood.

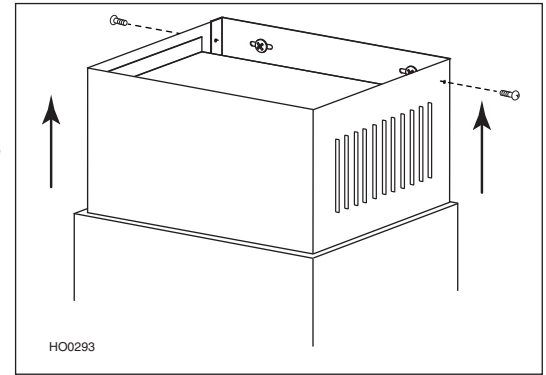


11. INSTALL THE DECORATIVE FLUE (CONTINUED)

NON-DUCTED INSTALLATION:

Slide up the upper flue until it is aligned with the plenum. Secure the upper flue to the plenum using 2 M4 x 12 Phillips round head screws.

Remove protective plastic film covering the upper flue and the hood.

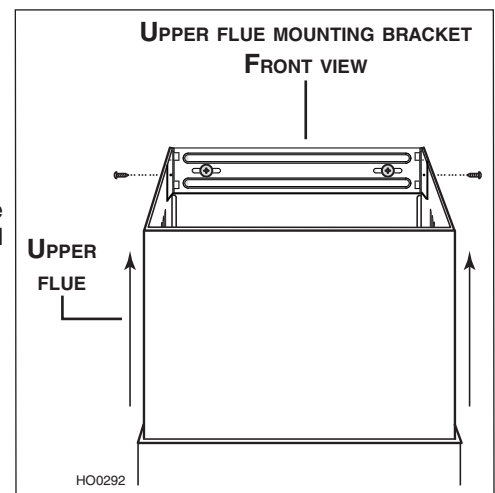


DUCTED INSTALLATION:

Slide up the upper flue until it is aligned with its mounting bracket. The bracket must be inside the flue. Secure the upper flue to its bracket using 2 M4 x 12 Phillips round head screws.

NOTE: Duct not shown in illustration to ease understanding.

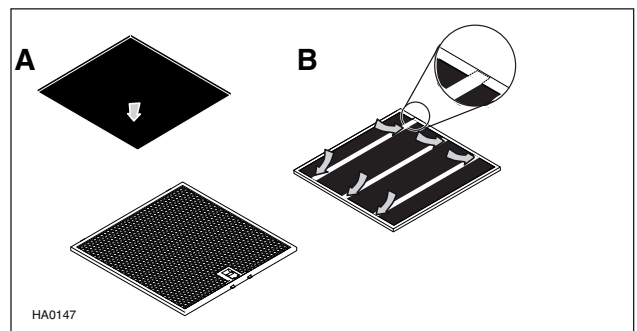
Remove protective plastic film covering the upper flue and the hood.



12. REINSTALL GREASE FILTERS

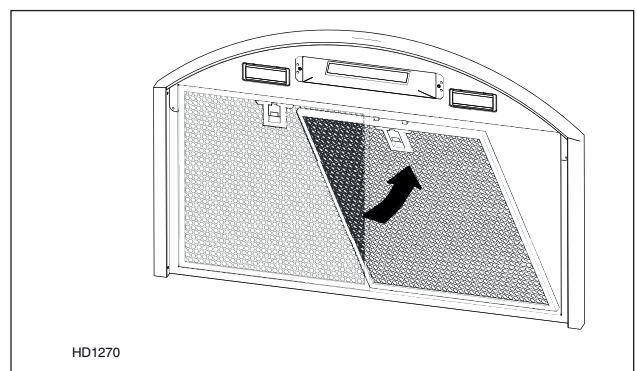
NON-DUCTED INSTALLATION:

Install a charcoal filter on each aluminum grease filter back (A). Hold the charcoal filter in place by inserting both ends of the 3 metal strips in each aluminum grease filter frame (B).



ALL INSTALLATIONS:

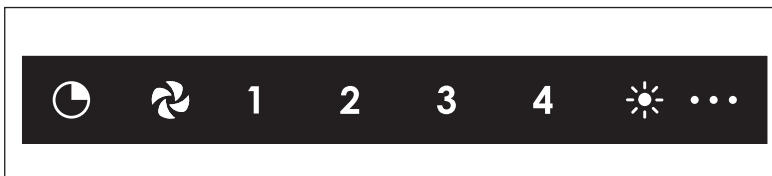
To reinstall the grease filters, align rear filter tabs with slots in the hood. Push each filter into position. Make sure filters are securely engaged after installation.



13. OPERATION

Always turn your hood on before you begin cooking to establish an air flow in the kitchen. Let the blower run for a few minutes to clear the air after you turn off the range. This will help keep the whole kitchen cleaner and fresher.

Operate the hood as follows:



DELAY OFF BUTTON

When activated, the icon lights up and blower current speed remains active for 10 min, then the blower turns off. Blower speed can be changed within the 10 min delay.

To deactivate the delay off function, press on the delay off button.

BLOWER BUTTON

When activated, the icon lights up and the blower turns on at the last saved speed. If there was no speed saved, the blower will be set at speed 1.

To change the blower speed, press on the desired speed button 1, 2, 3 or 4. The current speed button will light up.

To turn off the blower, press on the blower button or press on the current speed button activated.

LIGHT BUTTON

When activated, the icon lights up as well as the dot(s) at the right of the icon that represent(s) the light intensity. By pressing once on the icon, the first dot will light on. By pressing twice on the icon, the first and the second dots will light on. By pressing three times on the icon, all three dots will light on.

To turn off the light, press a fourth time on the button.

14. CARE

Grease Filters

Grease filters should be cleaned frequently. Use a warm dishwashing detergent solution. Grease filters are dishwasher safe. Clean all-metal filters in the dishwasher using a non-phosphate detergent. Discoloration of the filters may occur if using phosphate detergents, or as a result of local water conditions - but this will not affect filter performance. This discoloration is not covered by the warranty.

Non-ducted Filters

Change the non-duct recirculation filters every 6 months.

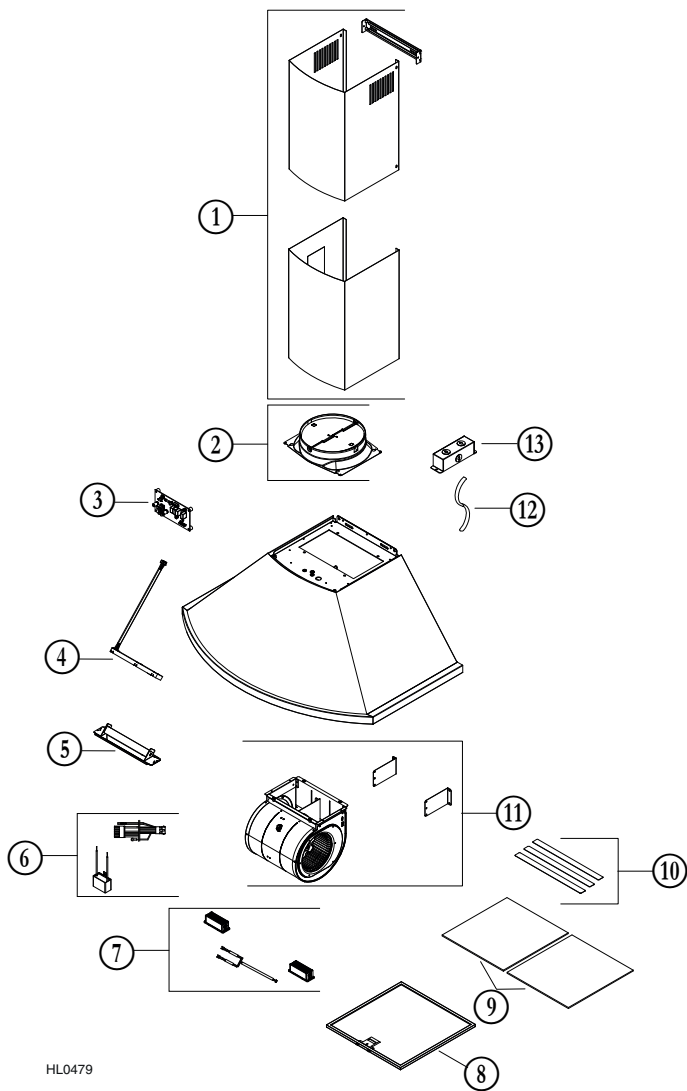
Hood Cleaning

Do:	Don't:
<ul style="list-style-type: none">Regularly wash with clean cloth or rag soaked with warm water and mild soap or liquid dish detergent.Always clean in the direction of original polish lines.Always rinse well with clear water (2 or 3 times) after cleaning. Wipe dry completely.You may also use a specialized household stainless steel cleaner.	<ul style="list-style-type: none">Use any steel or stainless steel wool or any other scrapers to remove stubborn dirt.Use any harsh or abrasive cleansers.Allow dirt to accumulate.Let plaster dust or any other construction residues reach the hood. During construction/renovation, cover the hood to make sure no dust sticks to stainless steel surface.

Avoid when choosing a detergent:

- Any cleaners that contain **bleach** will attack stainless steel.
- Any products containing: **chloride, fluoride, iodide, bromide** will deteriorate surfaces rapidly.
- Any combustible products used for cleaning such as **acetone, alcohol, ether, benzol**, etc., are highly explosive and should never be used close to a range.

15. REPLACEMENT PARTS



HL0479

REPLACEMENT PARTS AND REPAIRS

In order to ensure your unit remains in good working condition, you must use Broan-NuTone genuine replacement parts only. Broan-NuTone genuine replacement parts are specially designed for each unit and are manufactured to comply with all the applicable certification standards and maintain a high standard of safety. Any third party replacement part used may cause serious damage and drastically reduce the performance level of your unit, which will result in premature failing. Broan-NuTone recommends to contact a certified service depot for all replacement parts and repairs.

KEY NO.	PART NO.	DESCRIPTION	30" and 36"
1	S97021513	DECORATIVE UPPER AND LOWER FLUES WITH BRACKET	1
2	S99528418	DAMPER ASSEMBLY	1
3	S97021516	ELECTRONIC BOARD	1
4	S97021514	USER INTERFACE	1
5	S97021515	USER INTERFACE MOUNTING BRACKET	1
6	S99271697	CAPACITOR AND MAIN HARNESS ASSEMBLY	1
7	S99271698	LED MODULES (SET OF 2)	1
8	S99528414	ALUMINUM GREASE FILTER (SOLD BY PIECE)	2
9	S99010512	NON-DUCT RECIRCULATION FILTERS (SET OF 2) (METAL STRIPS NOT INCLUDED)	1
10	S99010513	METAL STRIPS FOR NON-DUCT RECIRCULATION FILTER S99010512 (SET OF 3)	2
11	S99528407	MOTOR AND BLOWER ASSEMBLY	1
12	S99271696	POWER CABLE	1
13	S99840026	JUNCTION BOX	1
*	S97021512	PARTS BAG INCLUDING: 9 #8 x 1-1/2" PHILLIPS FLAT HEAD SCREWS, 2 M4 x 12 PHILLIPS ROUND HEAD SCREWS, 4 M4 x 8 PHILLIPS ROUND HEAD SCREWS, 2 WASHERS, 3 WIRE CONNECTORS, 1 UPPER FLUE MOUNTING BRACKET AND 1 HOOD MOUNTING BRACKET	1

* NOT SHOWN.

16. WARRANTY

FIVE-YEAR LIMITED WARRANTY FOR BEST® PRODUCTS

Warranty Period and Exclusions: Broan-NuTone, LLC (the “Company”) warrants to the consumer purchaser of its product (“you”) that the product (the “Product”) will be free from material defects in the materials or its workmanship for a period of five (5) years from the date of original purchase (or such longer period as may be required by applicable law) or a period of two (2) years from the date of service for any labor provided on the Product.

The limited warranty period for any replacement parts provided by the Company and for any Products repaired or replaced under this limited warranty shall be the remainder of the original warranty period (or such longer period as may be required by applicable law).

THIS WARRANTY DOES NOT EXTEND TO FLUORESCENT LAMP STARTERS, TUBES AND BULBS, FUSES, FILTERS, DUCTS, ROOF CAPS, WALL CAPS AND OTHER ACCESSORIES FOR DUCTING. This warranty does not cover (a) normal maintenance and service, (b) normal wear and tear, (c) any Products or parts which have been subject to misuse, abuse, abnormal usage, negligence, accident, improper or insufficient maintenance, storage or repair (other than repair by the Company), (d) damage caused by faulty installation, or installation or use contrary to recommendations or instructions, (f) damage caused by exposure to salt air, (g) damage in transit, (h) natural wear of finish, (i) Products in commercial or nonresidential use, (j) damage caused by fire, flood or other act of God, or (k) Products with altered, defaced or removed serial numbers. This warranty covers only Products sold to consumers in North America. This warranty supersedes all prior warranties and, subject to applicable law, is not transferable from the original consumer purchaser.

No Other Warranties: This Limited Warranty contains the Company’s sole obligation and your sole remedy for defective Products. The foregoing warranties are exclusive and in lieu of any other warranties and conditions, express or implied. **TO THE MAXIMUM EXTENT PERMITTED BY APPLICABLE LAW, THE COMPANY DISCLAIMS AND EXCLUDES ALL OTHER EXPRESS WARRANTIES AND CONDITIONS, AND DISCLAIMS AND EXCLUDES ALL WARRANTIES AND CONDITIONS IMPLIED BY LAW, INCLUDING WITHOUT LIMITATION THOSE OF MERCHANTABILITY AND FITNESS FOR A PARTICULAR PURPOSE.**

To the extent that applicable law prohibits the exclusion of implied warranties or conditions, the duration of any applicable implied warranty or condition is limited to the period specified for the express warranty above. Some jurisdictions (which may include the Province of Quebec or specific US states) do not allow limitations on how long an implied warranty lasts, so the above limitation may not apply to you. Any oral or written description of the Product is for the sole purpose of identifying it and shall not be construed as an express warranty.

Whenever possible, each provision of this Limited Warranty shall be interpreted in such manner as to be effective and valid under applicable law, but if any provision is held to be prohibited or invalid, such provision shall be ineffective only to the extent of such prohibition or invalidity, without invalidating the remainder of such provision or the other remaining provisions of the Limited Warranty.

Remedy: During the applicable limited warranty period, the Company will, at its option, provide replacement parts for, or repair or replace, without charge, any Product or part thereof, to the extent the Company finds it to be covered by and in breach of this limited warranty under normal use and service. The Company will ship the repaired or replaced Product or replacement parts to you at no charge. You are responsible for all costs for removal, reinstallation and shipping, insurance or other freight charges incurred in the shipment of the Product or part to the Company. If you must send the Product or part to the Company, as instructed by the Company, you must properly pack the Product or part—the Company is not responsible for damage in transit. The Company reserves the right to utilize reconditioned, refurbished, repaired or remanufactured Products or parts in the warranty repair or replacement process. Such Products and parts will be comparable in function and performance to an original Product or part and warranted for the remainder of the original warranty period (or such longer period as may be required by applicable law).

Company reserves the right, in its sole discretion, to refund the money actually paid by you for the Product. If the Product or component is no longer available, replacement may be made with a similar product of equal or greater value, at Company’s sole discretion. This is your sole and exclusive remedy for breach of this limited warranty.

Exclusion of Damages: THE COMPANY’S OBLIGATION TO PROVIDE REPLACEMENT PARTS, OR REPAIR OR REPLACE, AT THE COMPANY’S OPTION, SHALL BE YOUR SOLE AND EXCLUSIVE REMEDY UNDER THIS LIMITED WARRANTY AND THE COMPANY’S SOLE AND EXCLUSIVE OBLIGATION. THE COMPANY SHALL NOT BE LIABLE FOR INCIDENTAL, INDIRECT, CONSEQUENTIAL OR SPECIAL DAMAGES ARISING OUT OF OR IN CONNECTION WITH THE PRODUCT, ITS USE OR PERFORMANCE.

Some jurisdictions do not allow the exclusion or limitation of incidental or consequential damages, so the above limitation or exclusion may not apply to you. This warranty gives you specific legal rights, and you may also have other rights, which vary from jurisdiction to jurisdiction. The disclaimers, exclusions, and limitations of liability under this warranty will not apply to the extent prohibited by applicable law.

This warranty covers only replacement or repair of defective Products or parts thereof at the Company’s main facility and does not include the cost of field service travel and living expenses.

Any assistance the Company provides to or procures for you outside the terms, limitations or exclusions of this limited warranty will not constitute a waiver of such terms, limitations or exclusions, nor will such assistance extend or revive the warranty. The Company will not reimburse you for any expenses incurred by you in repairing or replacing any defective Product, except for those incurred with the Company’s prior written permission.

How to Obtain Warranty Service: To qualify for warranty service, you must (a) notify the Company at the address or telephone number stated below within seven (7) days of discovering the covered defect, (b) give the model number and part identification and (c) describe the nature of any defect in the Product or part. At the time of requesting warranty service, you must present evidence of the original purchase date. If you cannot provide a copy of the original written limited warranty, then the terms of the Company’s most current written limited warranty for your particular product will control.

PRODUCT SPECIFICATIONS

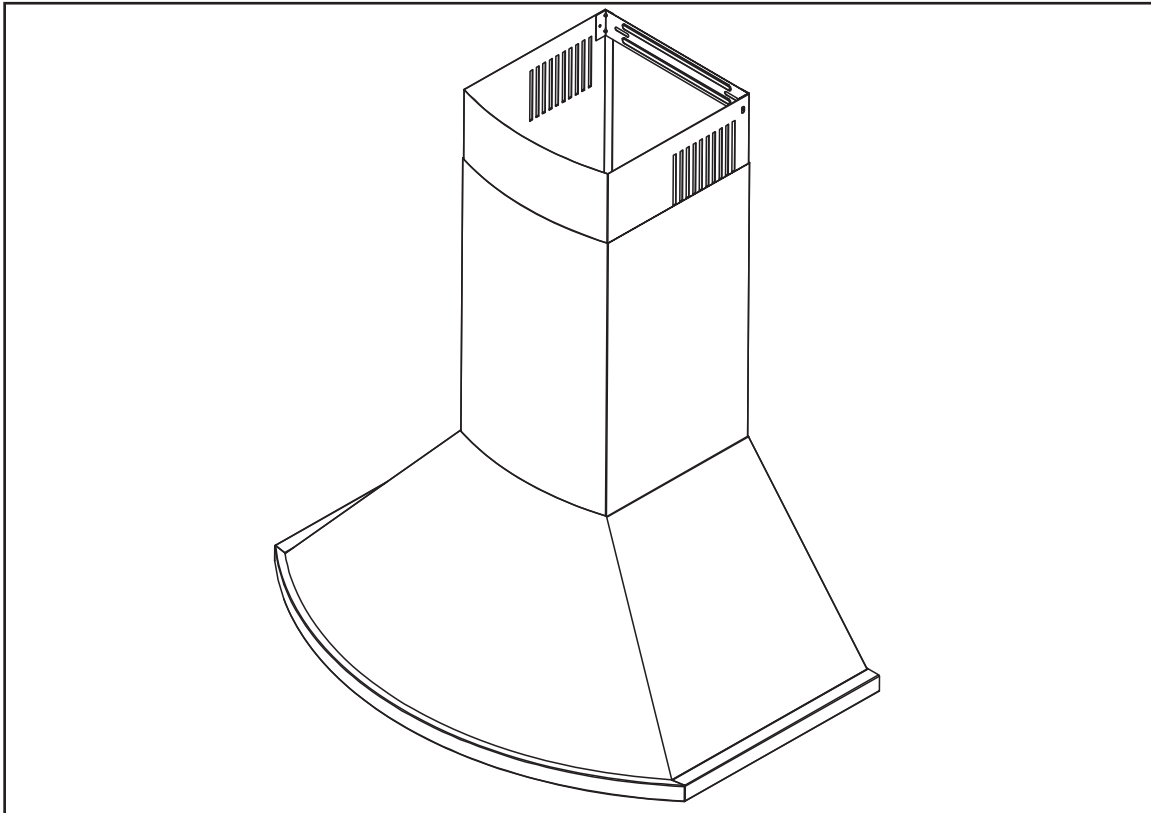
All illustrations and specifications in this catalog are based on the latest product information available at time of production. Broan-NuTone, LLC and BEST® reserves the right to make changes at any time, without notice, in prices, colors, materials, equipment, specifications and models, place of manufacture and to discontinue models or equipment.

Best

Broan-NuTone, LLC- 926 W. State Street, Hartford, WI 53207 1-800-637-1453

Best®, 550 Lemire Blvd., Drummondville, QC, Canada (1-866-737-7770) www.bestrangehoods.com

best®



SÉRIE WCN1

⚠ CONÇUE UNIQUEMENT POUR LA CUISSON DOMESTIQUE ⚠

LIRE ET CONSERVER CES DIRECTIVES

INSTALLATEUR: LAISSER CE GUIDE AU PROPRIÉTAIRE.
PROPRIÉTAIRE: DIRECTIVES D'UTILISATION ET D'ENTRETIEN EN PAGE 10.

BEST; Hartford, Wisconsin www.BestRangeHoods.com 800 558-1711
BEST; Drummondville, QC, Canada www.BestRangeHoods.ca 866 737-7770

Pour enregistrer votre produit en ligne ou pour obtenir plus d'information, consultez notre site www.BestRangeHoods.com

⚠ AVERTISSEMENT

AFIN DE RÉDUIRE LES RISQUES D'INCENDIE, D'ÉLECTROCUTION OU DE BLESSURES CORPORELLES, SUIVEZ LES DIRECTIVES SUIVANTES :

1. N'utilisez cet appareil que de la façon prévue par le fabricant. Si vous avez des questions, contactez le fabricant à l'adresse ou au numéro de téléphone indiqués dans la garantie.
2. Avant de réparer ou de nettoyer l'appareil, couper l'alimentation électrique en verrouillant le panneau de distribution afin d'éviter sa remise en marche accidentelle. Si le panneau de distribution ne peut être verrouillé, y fixer un avertissement en évidence, telle qu'une étiquette de couleur vive.
3. Les travaux d'installation et de raccordement électrique doivent être effectués par une personne qualifiée, conformément aux codes et aux standards de construction, incluant ceux concernant la protection contre les incendies.
4. Une quantité d'air adéquate est requise afin d'assurer une bonne combustion et l'évacuation des gaz par la cheminée dans le cas des équipements alimentés au gaz afin de prévenir les retours de cheminée. Conformez-vous aux instructions et aux standards de sécurité des fabricants d'équipement de chauffage, tel qu'ils sont publiés par la National Fire Protection Association (NFPA) et l'American Society for Heating, Refrigeration and Air Conditioning Engineers (ASHRAE) ainsi que les responsables des codes locaux.
5. Veillez à ne pas endommager le câblage électrique ou d'autres équipements non apparents lors de la découpe ou du perçage du mur ou du plafond.
6. Les ventilateurs avec conduits doivent toujours évacuer l'air à l'extérieur.
7. Ne pas utiliser cet appareil avec une commande de vitesse à semi-conducteur.
8. Afin de réduire les risques d'incendie, n'utilisez que des conduits de métal.
9. Cet appareil doit être mis à la terre.
10. Lorsqu'une réglementation est en vigueur et qu'elle comporte des exigences d'installation et/ou de certification plus restrictives, lesdites exigences prévalent sur celles de ce document et l'installateur entend s'y conformer à ses frais.

AFIN DE RÉDUIRE LES RISQUES DE FEU DE CUISINIÈRE :

- a) Ne jamais laisser les appareils de cuisson sans surveillance lorsqu'ils sont réglés à feu vif. Les débordements engendrent de la fumée et des déversements graisseux pouvant s'enflammer. Chauffez l'huile lentement, à feu doux ou moyen.
- b) Mettez toujours la hotte en marche lorsque vous cuisinez à feu vif ou que vous cuisinez des mets flambés (par ex. : crêpes Suzette, cerises jubilé, steaks au poivre flambés).
- c) Nettoyez régulièrement la (les) roue(s) du ventilateur. Ne laissez pas la graisse s'accumuler sur le ventilateur, les filtres ou les conduits d'évacuation.
- d) Utilisez le bon format de casserole. Servez-vous toujours de casseroles et d'ustensiles appropriés à la dimension de la surface chauffante.

⚠ AVERTISSEMENT

AFIN D'ÉVITER TOUT RISQUE DE BLESSURES LORS D'UN FEU DE CUISINIÈRE, SUIVEZ CES DIRECTIVES* :

1. Éteignez les flammes avec un couvercle hermétique, une tôle à biscuits ou un plateau métallique et ensuite, éteindre le brûleur. PRENEZ SOIN D'ÉVITER LES BRÛLURES. SI LES FLAMMES NE S'ÉTEignent PAS IMMÉDIATEMENT, ÉVACUEZ LES LIEUX ET APPELEZ LES POMPIERS.
2. NE PRENEZ JAMAIS UNE CASSEROLE EN FLAMMES DANS VOS MAINS. Vous pourriez vous brûler.
3. N'UTILISEZ PAS D'EAU, incluant un linge à vaisselle ou une serviette mouillée, cela pourrait occasionner une violente explosion de vapeur.
4. N'utilisez un extincteur QUE DANS LE CAS OÙ :
 - A. Vous savez qu'il s'agit d'un extincteur de classe ABC et que vous en connaissez le fonctionnement.
 - B. Le feu est petit et limité à l'endroit où il a débuté.
 - C. Les pompiers ont été avisés.
 - D. Vous pouvez combattre le feu en ayant accès à une sortie de secours.

*Tirées du *Kitchen Fire Safety Tips* publié par la NFPA.

ATTENTION

1. Pour une utilisation à l'intérieur seulement.
2. Pour usage domestique seulement. Ne pas utiliser pour évacuer des vapeurs ou des matières dangereuses ou explosives.
3. Afin d'éviter tout dommage au moteur et de débalancer ou de rendre bruyante la roue du moteur, garder votre appareil à l'abri des poussières de gypse et de construction/rénovation, etc.
4. Le moteur de votre hotte possède une protection thermique qui éteindra automatiquement le moteur s'il devient surchauffé. Le moteur redémarrera automatiquement une fois refroidi. Si le moteur continue à arrêter et à redémarrer, faites-le vérifier.
5. La distance minimale de la hotte au-dessus de la surface de cuisson NE DOIT PAS être inférieure à 24 po. Pour une meilleure évacuation des odeurs de cuisson, la distance maximale recommandée au-dessus de la surface de cuisson est de 30 po.
6. Deux installateurs sont recommandés lors de l'installation vu la grande dimension et le poids de cet appareil.
7. Afin de réduire les risques d'incendie, assurez-vous d'évacuer l'air à l'extérieur. Ne pas évacuer l'air dans des espaces restreints comme l'intérieur des murs ou plafond ou dans le grenier, faux plafond ou garage.
8. En raison de la grande capacité d'évacuation de cette hotte, il est recommandé d'ouvrir une fenêtre dans ou près de la cuisine afin de remplacer l'air évacué.
9. Afin de réduire les risques d'incendie et d'électrocution, les hottes Best de la série WCN1 ne doivent être installées qu'avec leur ventilateur intérieur intégré.
10. Afin de réduire les risques de feu ou d'électrocution, si la hotte est utilisée en mode recirculation, utiliser uniquement l'ensemble de recirculation modèle ANKWCN1.
11. Veuillez consulter l'autocollant apposé à l'intérieur de la hotte pour plus d'information ou d'autres exigences.

1. PRÉPARER L'INSTALLATION

NOTE : Avant de commencer l'installation, vérifier le contenu de la boîte. Si des pièces sont manquantes ou endommagées, contacter le détaillant.

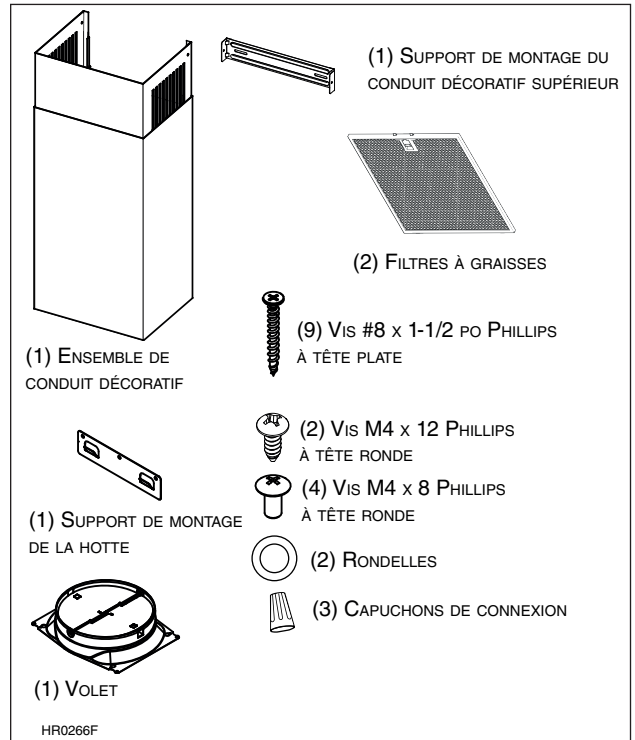
S'assurer que les articles suivants sont inclus :

- Hotte
- Accessoires
 - Ensemble conduit décoratif (inférieur et supérieur)
 - Support de montage de la hotte
 - Support de montage du conduit décoratif supérieur
 - Filtres à graisses en aluminium
 - Volet rond de 8 po
 - Sac de pièces comprenant:
 - 9 vis #8 x 1-1/2 po Phillips à tête plate;
 - 2 vis M4 x 12 Phillips à tête ronde
 - 4 vis M4 x 8 Phillips à tête ronde
 - 2 rondelles et 3 capuchons de connexion
- Manuel d'installation

Pièces vendues séparément :

- Conduits, coudes, capuchons de mur ou de toit
- Filtres à chicane optionnels (ensemble de 2) AFBWCN1
- Rallonge de conduit décoratif optionnelle pour plafonds de 10 pi à 11 pi modèle AEWCN1SS
- Ensemble de recirculation modèle ANKWCN1, obligatoire pour une installation en recirculation

NOTE : Lors de l'installation, protéger la surface de cuisson ou le comptoir de cuisine.



2. CHOISIR LE TYPE D'INSTALLATION

⚠ AVERTISSEMENT

Lors de l'installation, de l'entretien ou du nettoyage de l'appareil, il est recommandé de porter des lunettes et des gants de sécurité.

2.1 INSTALLATION EN RECIRCULATION

L'ensemble de recirculation ANKWCN1 est requis pour ce type d'installation.

2.2 INSTALLATION AVEC CONDUITS

Déterminer à quel endroit et de quelle façon les conduits seront installés.

Un conduit droit et court permettra à la hotte de fonctionner plus efficacement. Un conduit long avec des coudes et des transitions réduira la performance de la hotte. En utiliser le moins possible. Pour une grande distance, un conduit d'évacuation d'air au diamètre plus grand peut être requis.

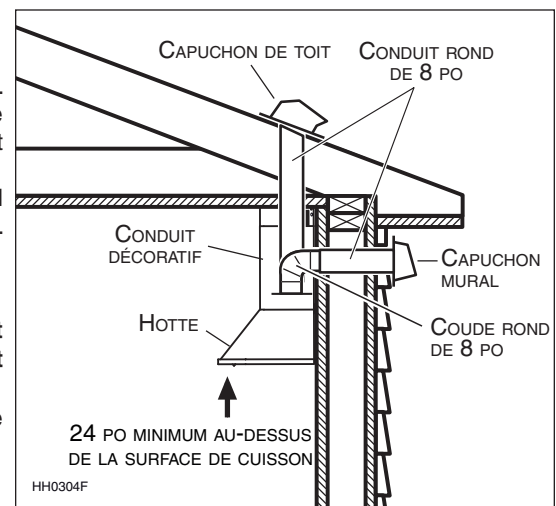
Installer un capuchon de toit ou de mur. Relier le conduit de 8 po rond en métal au capuchon, puis acheminer le conduit jusqu'à l'emplacement de la hotte. Sceller les joints avec du ruban adhésif de métal de 2 po de largeur.

2.3 TOUTES LES INSTALLATIONS

La distance minimale entre le bas de la hotte et la surface de cuisson est de 24 po. Un maximum de 30 po au-dessus de la surface de cuisson est recommandé pour une meilleure évacuation des odeurs de cuisson.

Les distances au-delà de 30 po sont à la discrétion de l'installateur et de l'utilisateur, si la hauteur du plafond et du conduit décoratif le permettent.

NOTE : Les plafonds de 10 pi à 11 pi nécessitent une rallonge de conduit décoratif modèle AEWCN1SS (acier inoxydable).



3. INSTALLER LE SUPPORT DE MONTAGE DE LA HOTTE

⚠ AVERTISSEMENT

- Veillez à ne pas endommager le câblage électrique ou d'autres équipements non apparents lors de la découpe ou du perçage du mur ou du plafond.
- Lors de la construction de la charpente, toujours suivre les codes et standards de construction en vigueur.

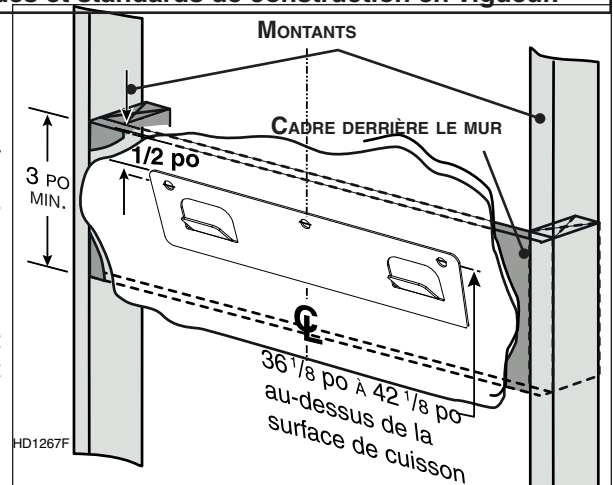
Construire un cadre mural en bois encastré entre les montants et au même niveau que ceux-ci.

Le cadre mural doit avoir au moins 1/2 po d'épaisseur et 3 po de hauteur. Pour une installation solide, s'assurer de fixer le cadre mural aux montants.

S'assurer que la hauteur du cadre permettra au support de montage d'y être bien fixé en respectant les dimensions indiquées (voir l'illustration ci-contre).

Après la finition du mur, à l'aide d'un niveau, tracer une ligne verticale jusqu'au plafond à partir du centre de l'emplacement de la hotte. Mesurer et marquer l'emplacement des vis de retenue à l'aide des mesures apparaissant dans l'illustration à droite.

Centrer et niveler le support de montage à l'endroit où la hotte sera installée. Le fixer au cadre mural à l'aide de 3 vis #8 x 1-1/2 po Phillips à tête plate.

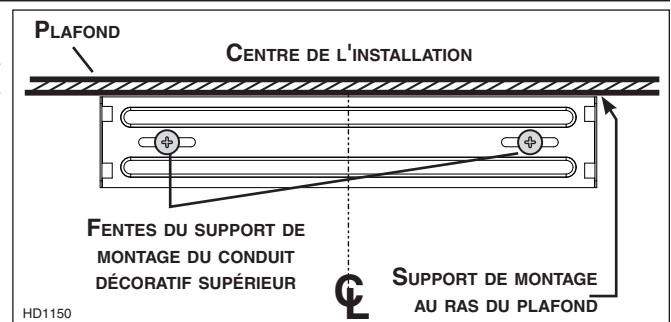


36 1/8 PO = BAS DE LA HOTTE 24 PO AU-DESSUS DU PLAN DE CUISSON
42 1/8 PO = BAS DE LA HOTTE 30 PO AU-DESSUS DU PLAN DE CUISSON

4. INSTALLER LE SUPPORT DE MONTAGE DU CONDUIT DÉCORATIF SUPÉRIEUR (INSTALLATION AVEC CONDUITS SEULEMENT)

Centrer le support de montage du conduit décoratif supérieur selon la ligne précédemment tracée à l'étape 3 et le positionner au ras du plafond. Utiliser les fentes du support comme gabarit pour marquer la position des vis.

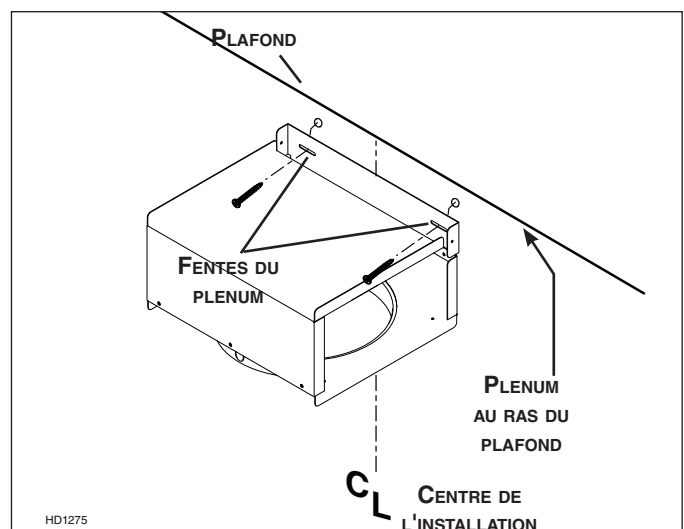
Fixer au mur le support de montage du conduit supérieur à l'aide de 2 vis #8 x 1-1/2 po Phillips à tête plate. S'assurer que le support de montage soit bien appuyé contre le mur.



5. INSTALLER LE PLENUM (INSTALLATION EN RECIRCULATION SEULEMENT)

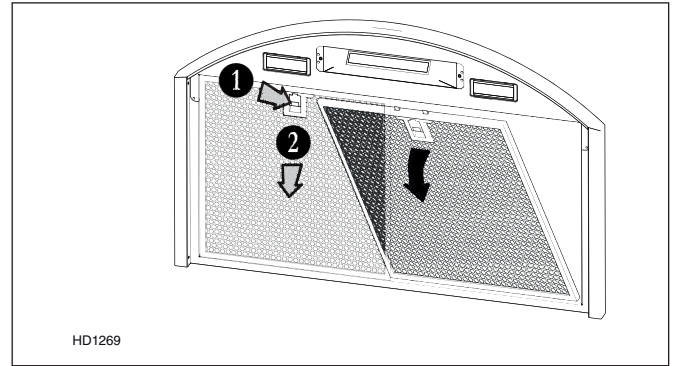
Centrer le plenum selon la ligne précédemment tracée à l'étape 3 et le positionner au ras du plafond. Utiliser les fentes du plenum comme gabarit pour marquer la position des vis.

Fixer au mur le plenum à l'aide de 2 vis #8 x 1-1/2 po Phillips à tête plate. S'assurer que le plenum soit bien appuyé contre le mur.

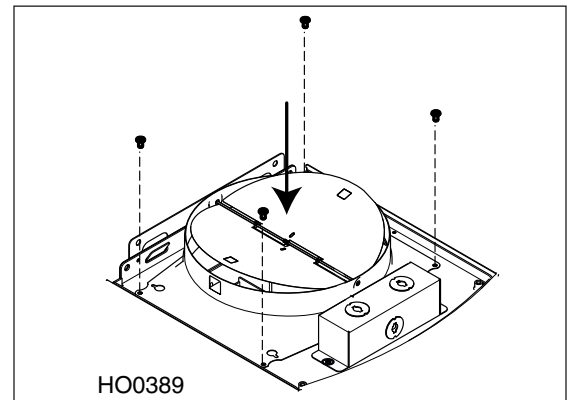


6. RETIRER LES FILTRES À GRAISSES

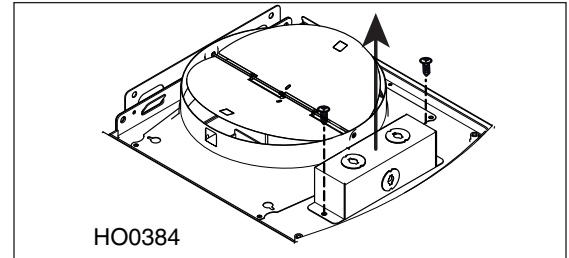
Poser le dos de la hotte à plat sur une table. Placer au préalable un morceau de carton pour éviter d'endommager la table et la hotte. Retirer les filtres à graisses en poussant sur le loquet et en faisant basculer chaque filtre. Mettre les filtres de côté.



Installer le volet à l'aide de 4 vis M4 x 8 Phillips à tête ronde.



Détacher le couvercle de la boîte de jonction du dessus de la hotte en enlevant les deux vis de retenue. Mettre le couvercle et les vis de côté.



7. INSTALLER LA HOTTE

⚠ AVERTISSEMENT

SOYEZ PRUDENT lors de l'installation du conduit décoratif et de la hotte, il pourrait y avoir des arêtes vives.

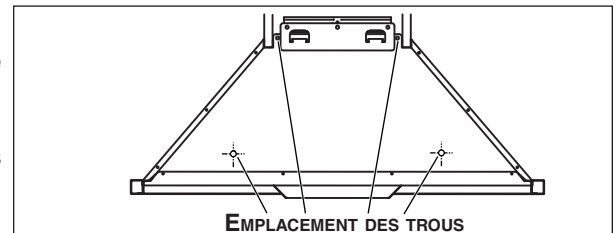
1. Aligner la hotte et la centrer au-dessus du support de montage de la hotte. Abaisser doucement la hotte jusqu'à ce qu'elle s'accroche au support de montage.
2. Mettre la hotte de niveau.
3. Avec la hotte accrochée au support de montage, marquer la position des quatre trous au mur (voir l'illustration ci-contre).

4. Retirer la hotte.

5. Percer les quatre trous dans le mur à l'aide d'une mèche de 3/32 po.

6. Suspender la hotte au support de montage.

7. Fixer la hotte au mur à l'aide de 2 vis #8 x 1-1/2 po Phillips à tête plate pour les trous du haut. Utiliser 2 rondelles et 2 vis #8 x 1-1/2 po Phillips à tête plate pour les trous du bas.

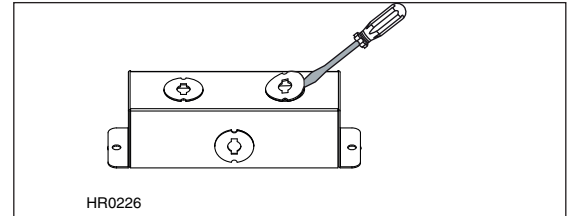


8. INSTALLATION ÉLECTRIQUE

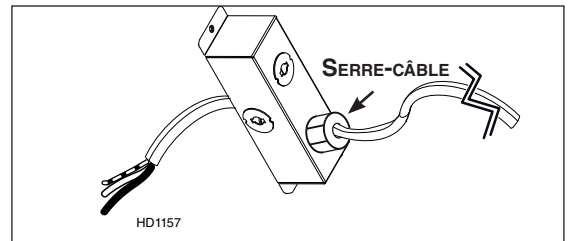
⚠ AVERTISSEMENT

Risque de choc électrique. Le raccordement électrique doit être effectué par du personnel qualifié en respectant les normes et règlements en vigueur. Avant d'effectuer le branchement, coupez l'alimentation électrique depuis le tableau de distribution principal.

Enlever une alvéole défonçable du dessus du couvercle de la boîte de jonction préalablement mis de côté.

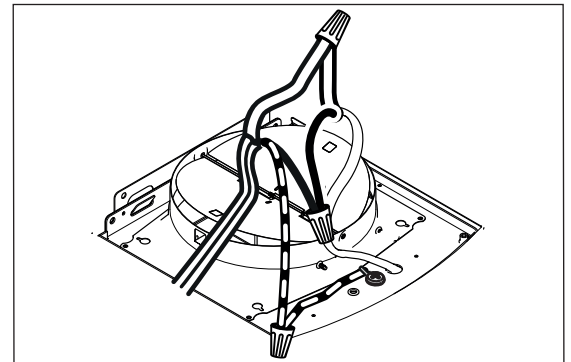


Installer un serre-câble homologué UL (non fourni) sur le câble d'alimentation résidentiel à 4 po du bout du câble. Passer le câble d'alimentation dans l'ouverture du couvercle de la boîte de jonction et utiliser le serre-câble pour fixer le câble d'alimentation résidentiel au couvercle de la boîte de jonction.



Connecter le fil d'alimentation de la hotte au câblage résidentiel à l'aide des capuchons de connexion fournis : Connecter le fil NOIR au NOIR, le fil BLANC au BLANC et le fil VERT ou DÉNUDÉ au VERT. **NE PAS OUBLIER DE CONNECTER LA MISE À LA TERRE.**

Réinstaller le couvercle de la boîte de jonction. S'assurer que tous les fils sont à l'intérieur du couvercle de la boîte de jonction.



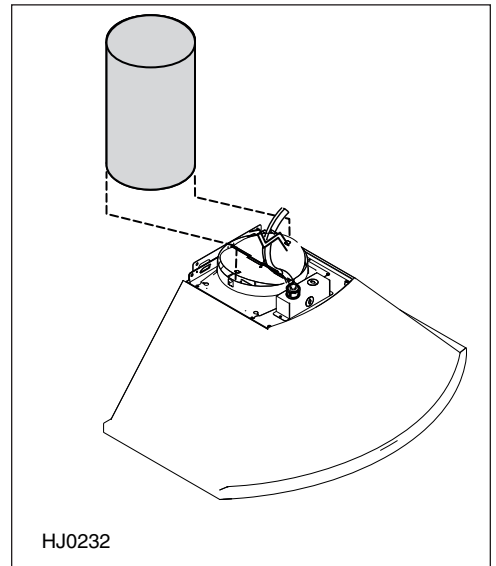
ATTENTION

S'assurer de ne coincer aucun fil lors de la réinstallation du couvercle de la boîte de jonction.

9. RACCORDER LE CONDUIT

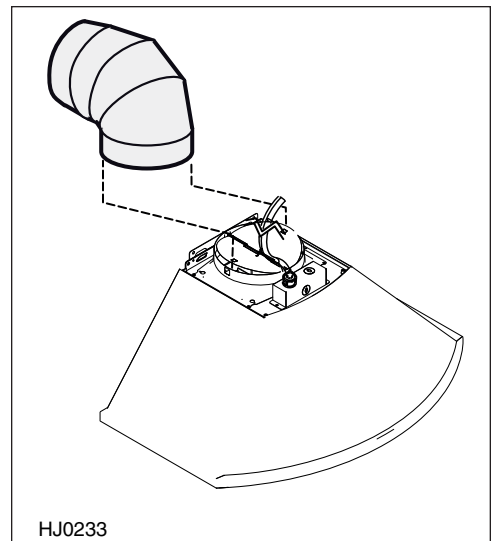
INSTALLATION EN ÉVACUATION VERTICALE :

Glisser une section de conduit rond en métal de 8 po par-dessus l'adaptateur/volet. Sceller hermétiquement le joint à l'aide de ruban adhésif de métal.



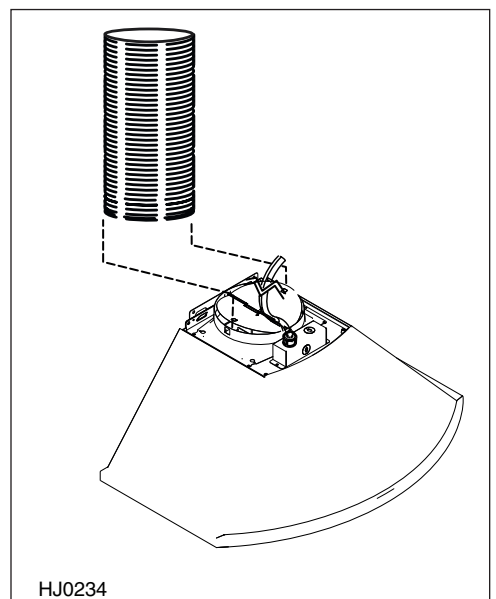
INSTALLATION EN ÉVACUATION HORIZONTALE :

Mesurer et installer un conduit rond en métal de 8 po jusqu'au capuchon mural et un coude de 90° sur l'adaptateur/volet de la hotte. Sceller hermétiquement les joints à l'aide de ruban adhésif de métal.



INSTALLATION EN RECIRCULATION :

Enlever les volets de l'adaptateur. Mesurer la longueur requise de conduit flexible rond de 8 po en métal (inclus dans le kit de recirculation) pour couvrir la distance entre le dessus de la hotte et le plenum. Glisser le conduit flexible rond de 8 po en métal par-dessus l'adaptateur de la hotte. Sceller le joint avec du ruban adhésif de métal.



10. PRÉPARER LE CONDUIT DÉCORATIF

ATTENTION

NE PAS RETIRER pour l'instant le film protecteur de plastique recouvrant le conduit décoratif supérieur.

NOTE : Les conduits décoratifs inférieur et supérieur sont inclus avec la hotte. Toutefois, pour les plafonds de 9 pieds ou plus, se défaire des conduits décoratifs inférieur et supérieur et utiliser le conduit décoratif optionnel, pièce n° AEWCN1SS (vendu séparément).

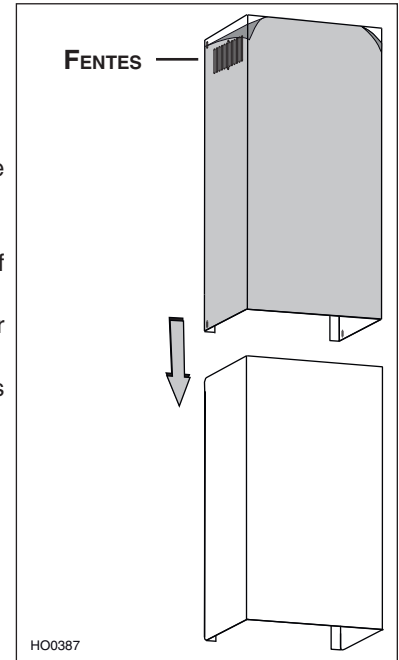
Retirer le conduit décoratif supérieur de l'intérieur du conduit décoratif inférieur. Retirer la pellicule de plastique protectrice recouvrant le conduit décoratif inférieur seulement.

Enlever juste assez de plastique protecteur pour dégager les coins supérieurs du conduit décoratif supérieur.

NOTE : Uniquement pour une installation sans conduit, enlever assez de plastique pour dégager les fentes.

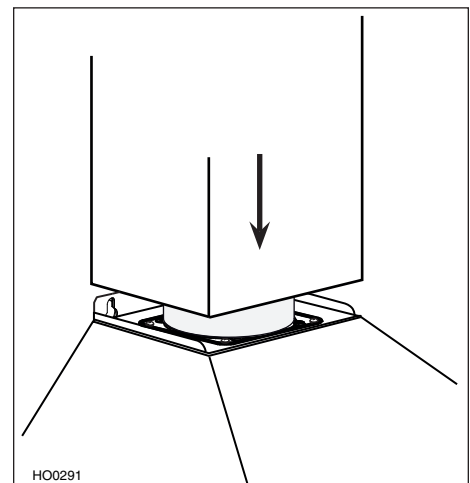
Glisser délicatement le conduit décoratif supérieur dans le conduit décoratif inférieur, le côté des fentes vers le haut.

NOTE : Le conduit décoratif supérieur peut être inversé pour cacher les fentes dans certaines applications selon les hauteurs d'installation.



11. INSTALLER LE CONDUIT DÉCORATIF

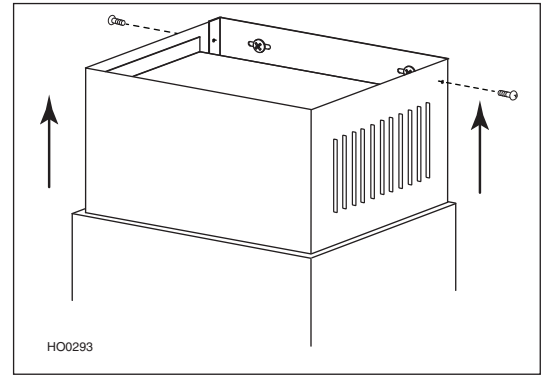
Glisser délicatement en place le conduit décoratif dans la rainure sur le dessus de la hotte.



11. INSTALLER LE CONDUIT DÉCORATIF (SUITE)

INSTALLATION EN RECIRCULATION :

Tirer vers le haut le conduit décoratif supérieur jusqu'à ce qu'il soit aligné avec le plenum. Fixer le conduit décoratif supérieur au plenum à l'aide de 2 vis M4 x 12 Phillips à tête ronde. Enlever le plastique protecteur couvrant le conduit décoratif supérieur et la hotte.

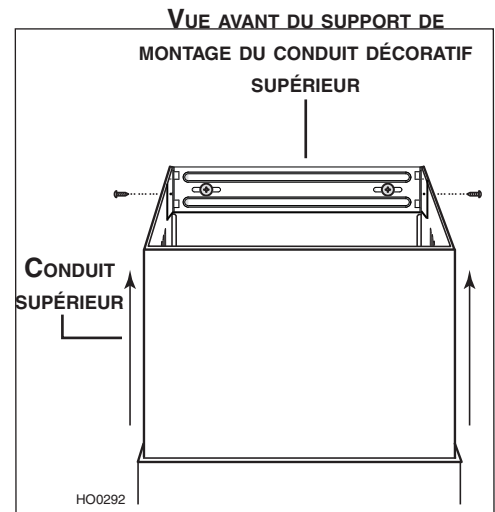


INSTALLATION AVEC CONDUITS :

Tirer vers le haut le conduit décoratif supérieur jusqu'au niveau de son support de montage. Ce dernier doit être à l'intérieur du conduit. Fixer le conduit supérieur au support à l'aide de 2 vis M4 x 12 Phillips à tête ronde.

NOTE: Conduit de ventilation non montré dans l'illustration afin de faciliter la compréhension.

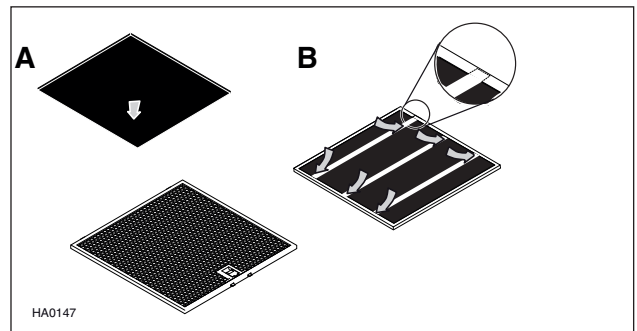
Enlever le plastique protecteur couvrant le conduit décoratif supérieur et la hotte.



12. REMETTRE EN PLACE LES FILTRES À GRAISSES

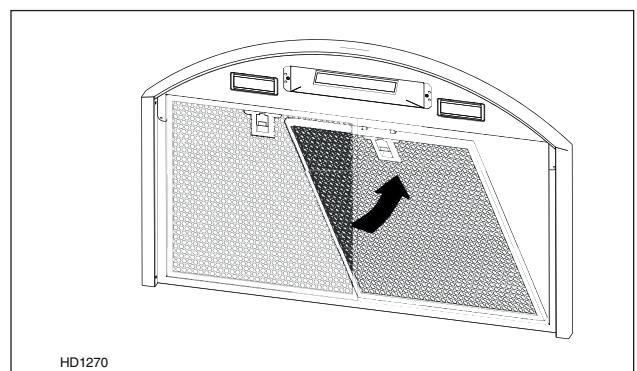
INSTALLATION EN RECIRCULATION :

Installer un filtre au charbon à l'endos de chaque filtre à graisses en aluminium (A). Tenir le filtre au charbon en place en insérant les 2 bouts des 3 bandes métalliques dans le cadre de chaque filtre à graisses en aluminium (B).



TOUTES LES INSTALLATIONS :

Pour installer les filtres à graisses, aligner les languettes arrière de chaque filtre avec les fentes dans la hotte. Pousser un filtre à la fois pour le remettre en place. Vérifier que les filtres sont bien en place.



13. FONCTIONNEMENT

Toujours mettre en marche la hotte avant de commencer la cuisson afin d'établir une circulation d'air dans la cuisine. Laisser fonctionner la hotte quelques minutes après la fin de la cuisson afin de nettoyer l'air. Cela aidera à garder la cuisine plus propre et plus fraîche.

Faire fonctionner la hotte comme suit:



BOUTON ARRÊT DIFFÉRÉ

Lorsqu'activé, l'icône s'allume et la vitesse actuelle du ventilateur demeure active durant 10 min, puis le ventilateur s'éteint. La vitesse du ventilateur peut être modifiée durant le délai de 10 min.

Pour désactiver la fonction arrêt différé, appuyer sur le bouton arrêt différé.

BOUTON VENTILATEUR

Lorsqu'activé, l'icône s'allume et le ventilateur fonctionne à la dernière vitesse sauvegardée. Si aucune vitesse n'était sauvegardée, le ventilateur sera réglé en vitesse 1.

Pour modifier la vitesse du ventilateur, appuyer sur le bouton de la vitesse souhaitée (1, 2, 3 ou 4). Le bouton de la vitesse actuelle s'allumera.

Pour éteindre le ventilateur, appuyer sur le bouton ventilateur ou appuyer sur le bouton de la vitesse actuellement en fonction.

BOUTON ÉCLAIRAGE

Lorsqu'activé, l'icône s'allume ainsi que le(s) point(s) à la droite de l'icône qui représente(nt) l'intensité de l'éclairage. En appuyant une fois sur le bouton, le premier point s'allumera. En appuyant deux fois sur le bouton, le premier et le deuxième points s'allumeront. En appuyant trois fois sur le bouton, les trois points s'allumeront.

Pour éteindre l'éclairage, appuyer une quatrième fois sur le bouton.

14. ENTRETIEN

Filtres à graisses

Les filtres à graisses doivent être nettoyés fréquemment. Utiliser une solution d'eau chaude et de détergent. Les filtres sont lavables au lave-vaisselle.

Nettoyer les filtres fabriqués entièrement de métal au lave-vaisselle à l'aide d'un détergent sans phosphate. L'utilisation d'un détergent avec phosphates ainsi que les conditions locales de l'eau peuvent entraîner une décoloration des filtres, sans toutefois affecter leur performance. Cette décoloration n'est pas couverte par la garantie.

Filtres de recirculation

Remplacer les filtres de recirculation tous les 6 mois.

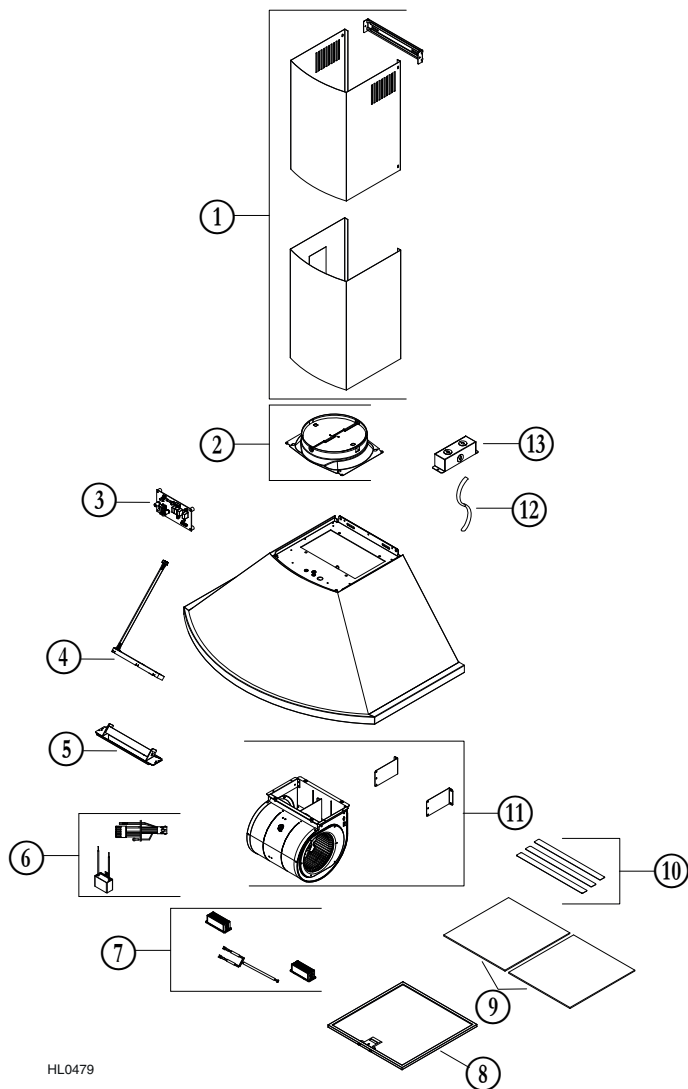
Nettoyage de la hotte

À faire :	À ne pas faire :
<ul style="list-style-type: none">Laver régulièrement les surfaces à l'aide d'un chiffon ou linge propre imbibé d'eau tiède et de savon doux ou de détergent liquide à vaisselle.Toujours nettoyer dans le sens du polissage.Toujours bien rincer avec de l'eau claire (2 à 3 fois) et essuyer complètement.Un nettoyant domestique conçu spécialement pour l'acier inoxydable peut aussi être utilisé.	<ul style="list-style-type: none">Ne pas utiliser de laine d'acier ou d'acier inoxydable ou tout autre grattoir pour enlever la saleté tenace.Ne pas utiliser une poudre nettoyante abrasive ou rugueuse.Ne pas laisser la saleté s'accumuler.Ne pas laisser la poussière de plâtre ou tout autre résidu de construction atteindre la hotte. Couvrir la hotte pour la durée des travaux afin de s'assurer qu'aucune poussière n'atteigne la hotte.

À éviter lors du choix d'un détergent:

- Tous produits nettoyants contenant des **agents de blanchiment**; ils attaqueront l'acier inoxydable.
- Tous produits contenant du **chlorure**, du **fluorure**, de l'**iode** ou du **bromure**; ils détérioreront rapidement les surfaces.
- Tous produits combustibles utilisés pour le nettoyage : **acétone**, **alcool**, **éther**, **benzène**, etc.; ils sont grandement explosifs et ne devraient jamais être utilisés près d'une cuisinière.

15. PIÈCES DE REMPLACEMENT



HL0479

PIÈCES DE REMPLACEMENT ET SERVICE

Pour assurer le bon fonctionnement de votre appareil, vous devez toujours utiliser des pièces d'origine provenant de Broan-NuTone. Les pièces d'origine de Broan-NuTone sont spécialement conçues pour satisfaire toutes les normes de certification de sécurité applicables. Leur remplacement par des pièces ne provenant pas de Broan-NuTone pourrait ne pas assurer la sécurité de l'appareil, entraîner une réduction sévère des performances ainsi qu'un risque de défaillance prématurée. Broan-NuTone recommande également de toujours vous référer à une entreprise de services compétente et reconnue par Broan-NuTone pour vos pièces de remplacement et appels de service.

N°	N° DE PIÈCE	DESCRIPTION	30 po et 36 po
1	S97021513	CONDUIT DÉCORATIF (SUPÉRIEUR ET INFÉRIEUR) AVEC SUPPORT	1
2	S99528418	ENSEMBLE DU VOLET	1
3	S97021516	CARTE ÉLECTRONIQUE	1
4	S97021514	INTERFACE UTILISATEUR	1
5	S97021515	SUPPORT DE L'INTERFACE UTILISATEUR	1
6	S99271697	ENSEMBLE CONDENSATEUR ET FAISCEAU DE FILS PRINCIPAL	1
7	S99271698	MODULES DEL (ENS. DE 2)	1
8	S99528414	FILTRE À GRAISSES EN ALUMINIUM (VENDU À L'UNITÉ)	2
9	S99010512	FILTRES DE RECIRCULATION (ENS. DE 2) (BANDES MÉTALLIQUES NON INCLUSES)	1
10	S99010513	BANDES MÉTALLIQUES POUR FILTRES DE RECIRCULATION S99010512 (ENS. DE 3)	2
11	S99528407	ENSEMBLE MOTEUR ET VENTILATEUR	1
12	S99271696	CÂBLE D'ALIMENTATION	1
13	S99840026	BOÎTE DE JONCTION	1
*	S97021512	SAC DE PIÈCES INCLUANT: 9 VIS #8 x 1-1/2 PO PHILLIPS À TÊTE PLATE, 2 VIS M4 x 12 PHILLIPS À TÊTE RONDE, 4 VIS M4 x 8 PHILLIPS À TÊTE RONDE, 2 RONDELLES, 3 CAPUCHONS DE CONNEXION, 1 SUPPORT DE MONTAGE DU CONDUIT DÉCORATIF SUPÉRIEUR ET 1 SUPPORT DE MONTAGE DE LA HOTTE	1

* NON ILLUSTRÉ.

16. GARANTIE

GARANTIE LIMITÉE DE 5 ANS SUR LES PRODUITS BEST^{MD}

Période de garantie et exclusions : Broan-NuTone LLC (l'« entreprise ») garantit au consommateur qui achète son produit (« vous ») que le produit (le « produit ») restera exempt de défauts importants dans ses composants ou sa fabrication pendant une période de cinq (5) ans à compter de la date de l'achat initial (ou pour une période plus longue si la loi en vigueur l'exige) ou une période de deux (2) ans à compter de la date de la prestation d'un service sur le produit.

La garantie limitée des pièces de rechange fournies par l'entreprise et de tout produit réparé ou remplacé en vertu de cette garantie est valide pour la durée non écoulée de la période de garantie initiale (ou d'une période plus longue si la loi en vigueur l'exige).

LA PRÉSENTE GARANTIE NE S'APPLIQUE PAS AUX DÉMARREURS DE LAMPE FLUORESCENTE, NI AUX TUBES, AMPOULES, FUSIBLES, FILTRES, CONDUITS, CAPUCHONS DE TOIT, CAPUCHONS MURAUX ET AUX AUTRES ACCESSOIRES POUR CONDUITS. Cette garantie exclut : a) l'entretien normal, b) l'usure normale, c) les produits et les pièces ayant fait l'objet d'une utilisation mauvaise, abusive ou anormale, d'une négligence, d'un accident, d'un entretien ou d'un entreposage, d'une réparation ou d'un entretien inadéquats ou insuffisants (sauf s'il s'agit d'une réparation effectuée par l'entreprise), d) les dommages attribuables à une installation incorrecte ou à une installation ou utilisation contraires aux recommandations ou aux instructions, e) les dommages attribuables au contact de l'air salin, f) les dommages survenus durant le transport, g) l'usure normale de la finition, h) les produits d'utilisation commerciale ou non résidentielle, i) les dommages causés par le feu, une inondation ou une autre catastrophe naturelle, ou j) les produits dont le numéro de série a été altéré ou effacé. Cette garantie ne s'applique qu'aux produits vendus aux consommateurs en Amérique du Nord. La présente garantie remplace les garanties précédentes et, sous réserve de la loi applicable, n'est pas transférable par l'acheteur initial.

Aucune autre garantie : La présente garantie limitée énonce l'unique obligation de l'entreprise et votre seul recours pour les produits défectueux. Les garanties qui précèdent sont exclusives et l'emportent sur les autres garanties et modalités, expresses ou implicites. **DANS TOUTE LA MESURE PERMISE PAR LA LOI EN VIGUEUR, L'ENTREPRISE SE DÉGAGE DES AUTRES GARANTIES ET MODALITÉS EXPRESSES ET DES GARANTIES ET MODALITÉS IMPLICITES EN VERTU DE LA LOI, Y COMPRIS, SANS S'Y LIMITER, LES GARANTIES DE QUALITÉ MARCHANDE ET D'ADAPTATION À UN USAGE PARTICULIER.** Dans la mesure où la loi applicable interdit l'exclusion des garanties ou modalités implicites, la durée d'une garantie ou modalité implicite applicable est restreinte à la période indiquée pour la garantie expresse ci-dessus. Certains territoires de compétence (ce qui peut inclure la province de Québec ou certains États des États-Unis) interdisent les limites à la durée des garanties implicites; la restriction susmentionnée pourrait donc ne pas s'appliquer à vous. Les descriptions orales ou écrites du produit ont pour seul objet d'indiquer les produits et ne sauraient être interprétées dans le sens d'une garantie expresse. Autant que possible, chaque disposition de cette garantie limitée est interprétée de sorte qu'elle soit valide sous le régime de la loi applicable, mais si l'une de ses dispositions est déclarée interdite ou nulle, cette disposition n'est nulle que dans la mesure de cette interdiction ou nullité, et les autres éléments de cette disposition ainsi que les autres dispositions de la garantie limitée restent valides.

Recours : Durant la période de la garantie limitée applicable, l'entreprise fournira, à son choix, des pièces de rechange ou des services de réparation ou de remplacement sans frais pour tout produit ou toute pièce de produit, dans la mesure où l'entreprise constate que la présente garantie limitée s'applique à ce produit ou à cette pièce dans le contexte d'une utilisation et d'un entretien normaux. L'entreprise vous expédiera le produit réparé, son remplacement ou les pièces de rechange sans frais. Vous assumez la totalité des coûts de mise hors service, de réinstallation, d'expédition et d'assurance et les autres frais de transport associés à la livraison du produit ou de la pièce à l'entreprise. Si vous devez envoyer le produit ou la pièce à l'entreprise, conformément à ses instructions, vous devez emballer adéquatement le produit ou la pièce; l'entreprise n'est pas responsable des dommages survenus durant le transport. L'entreprise se réserve le droit d'utiliser des produits ou pièces remis à neuf, réparés ou remanufacturés aux fins de réparation ou de remplacement dans le cadre de la garantie. Ces produits et ces pièces seront comparables quant à la fonction et aux performances avec les produits ou pièces d'origine, et protégés par une garantie pour la durée restante de la période de garantie initiale (ou d'une période plus longue si la loi en vigueur l'exige). L'entreprise se réserve le droit, à son entière discrétion, de rembourser le montant que vous avez effectivement payé pour le produit. Si le produit ou la pièce n'est plus disponible, elle peut le ou la remplacer par un produit similaire de valeur égale ou supérieure, à son entière discrétion. Ceci constitue votre seul recours advenant un non-respect de la présente garantie limitée.

Exclusion des dommages : **L'OBLIGATION DE L'ENTREPRISE DE FOURNIR DES PIÈCES DE RECHANGE, OU DE RÉPARER OU REMPLACER LE PRODUIT, À SON CHOIX, EST VOTRE SEUL RECOURS EN VERTU DE LA PRÉSENTE GARANTIE LIMITÉE ET L'UNIQUE OBLIGATION DE L'ENTREPRISE. CETTE DERNIÈRE N'EST PAS RESPONSABLE DES DOMMAGES INDIRECTS OU SPÉCIAUX DÉCOULANT DIRECTEMENT OU INDIRECTEMENT DU PRODUIT, DE SON UTILISATION OU DE SES PERFORMANCES.**

Certains territoires de compétence interdisent l'exclusion ou la restriction des dommages indirects; la restriction qui précède pourrait donc ne pas s'appliquer à vous. Cette garantie vous donne des droits spécifiques, et vous pourriez aussi avoir d'autres droits, qui varient selon le territoire de compétence. Les renonciations, exclusions et restrictions de responsabilité aux termes de cette garantie ne s'appliquent pas dans la mesure où la loi en vigueur interdit une telle application.

La présente garantie ne s'applique qu'au remplacement ou à la réparation de produits ou pièces de produit défectueux effectué au principal lieu d'affaires de l'entreprise, et exclut les frais de déplacement et de subsistance liés aux services fournis sur le terrain.

Tout soutien que l'entreprise vous fournit ou vous procure et qui n'est pas visé par les dispositions, limites ou exclusions de la présente garantie limitée ne constitue pas une renonciation à ces dispositions, limites ou exclusions, et la fourniture de ce soutien ne prolonge ni ne rétablit la garantie.

L'entreprise ne vous remboursera pas vos dépenses faites pour la réparation ou le remplacement d'un produit défectueux, sauf celles pour lesquelles vous avez obtenu le consentement écrit de l'entreprise.

Comment obtenir le service de garantie : Pour avoir droit au service de garantie, vous devez : a) aviser l'entreprise à l'adresse ou au numéro de téléphone indiqué ci-dessous dans les sept (7) jours qui suivent la date où vous avez eu connaissance de la défectuosité couverte, b) indiquer le numéro de modèle et les données d'identification de la pièce, et c) décrire la nature de toute défectuosité du produit ou de la pièce. Au moment où vous demandez le service de garantie, vous devez présenter une preuve de la date de l'achat initial. Si vous ne pouvez pas produire de copie de l'original de la garantie limitée, alors ce seront les modalités de la dernière version de la garantie limitée de votre produit de l'entreprise qui s'appliqueront.

SPÉCIFICATIONS DU PRODUIT

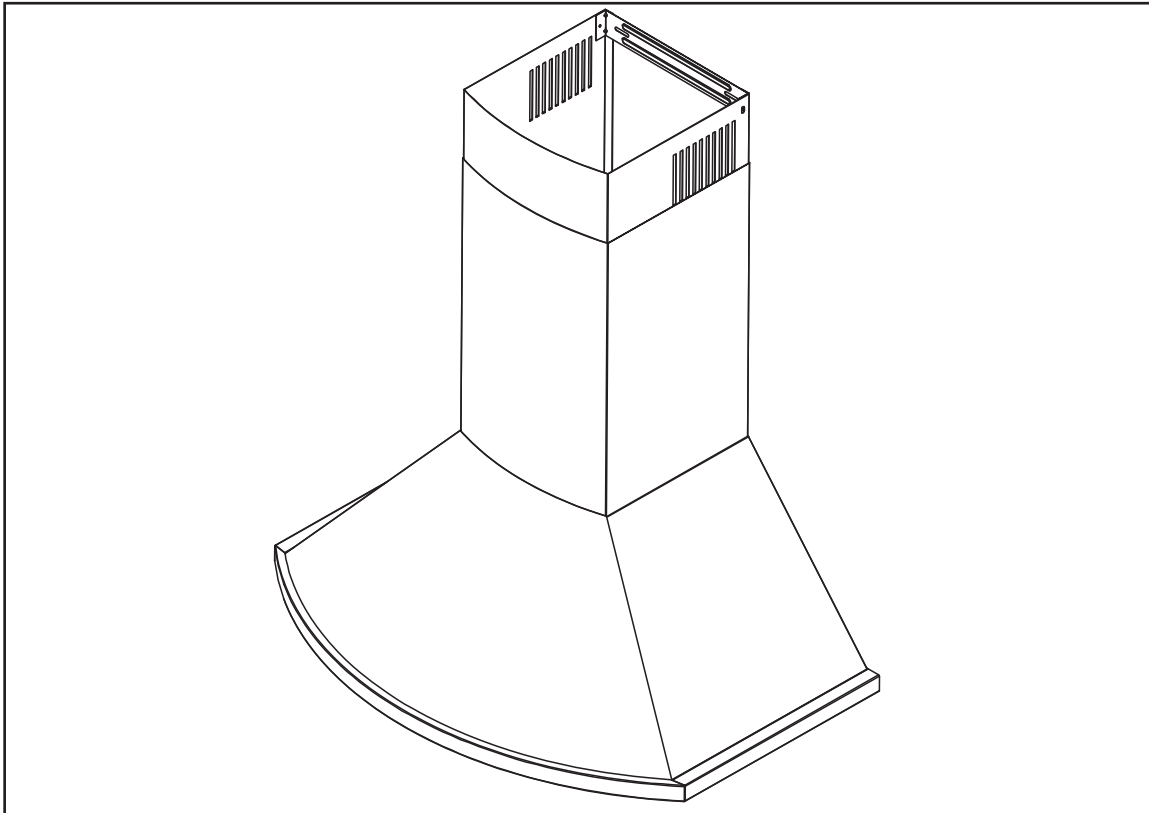
Toutes les illustrations et les spécifications des produits contenues dans ce catalogue sont établies d'après les plus récentes données disponibles en date de la production. Broan-NuTone LLC et BEST^{MD} se réservent le droit de modifier les prix, les couleurs, les composants, les produits, les spécifications et les modèles, de déplacer le lieu de fabrication et de cesser la production d'un modèle ou d'un produit, et ce, en tout temps et sans préavis.

Best

Broan-NuTone LLC : 926 W. State Street, Hartford (WI) 53207 1 800 637-1453

Best^{MD}, 550, boul. Lemire, Drummondville (Québec), Canada (1 866 737-7770) fr.bestrangehoods.ca

best®



SERIE WCN1

⚠ DESTINADA ÚNICAMENTE PARA COCINAS DOMÉSTICAS ⚠

LEA ESTAS INSTRUCCIONES Y GUÁRDELAS

INSTALADOR: DEJE ESTE MANUAL AL PROPIETARIO.

PROPIETARIO: INFORMACIÓN SOBRE USO Y CUIDADO EN LA PÁGINA 10

BEST; Hartford, Wisconsin www.BestRangeHoods.com 800 558-1711
BEST; Drummondville, QC, Canada www.BestRangeHoods.ca 866 737-7770

Para registrar su producto en línea o para obtener más información, visitar nuestro sitio www.BestRangeHoods.com

⚠️ ADVERTENCIA

PARA REDUCIR EL RIESGO DE INCENDIO, DESCARGA ELÉCTRICA O LESIÓN CORPORAL, RESPETE LAS SIGUIENTES INDICACIONES:

1. Utilice esta unidad únicamente de la forma en que indica el fabricante. Si tiene cualquier pregunta, póngase en contacto con el fabricante en la dirección o el teléfono que aparecen en la garantía.
2. Antes de reparar o limpiar el aparato, apáguelo en el tablero de servicio y bloquee los medios de desconexión para impedir que la corriente se conecte accidentalmente. Cuando no se pueda bloquear los medios de desconexión, coloque un dispositivo de advertencia visible (como una etiqueta) en el tablero de servicio.
3. La instalación y la conexión eléctrica deben ser realizadas por personal calificado de acuerdo con todos los códigos y normas aplicables, incluso los relativos a la construcción ignífuga.
4. Para lograr una combustión adecuada y una extracción correcta de los gases a través de la salida del humo (chimenea) del equipo quemador de combustible — evitando así el contratiro — es necesario disponer de aire suficiente. Siga las directrices del fabricante del equipo de material térmico y las normas de seguridad, como las que publica la NFPA (asociación de protección contra los incendios) y la ASHRAE (sociedad estadounidense de técnicos de calefacción, refrigeración y aire acondicionado) así como los códigos de los organismos responsables locales.
5. Al cortar o perforar la pared o el techo, procure no dañar el cableado eléctrico ni otras instalaciones de servicios públicos.
6. Los ventiladores entubados siempre deben tener salida al exterior.
7. No utilice este aparato con un dispositivo de control de velocidad con semiconductores.
8. Para reducir el riesgo de incendio, utilice sólo tuberías metálicas.
9. Este aparato debe conectarse a tierra y ha de estar protegido con un disyuntor.
10. Cuando una reglamentación local esta en vigor y conlleva exigencias de instalación y/o de certificación más estrictas, susodichas exigencias prevalecen sobre aquellas en este documento y el instalador acepta someterse a estas exigencias a sus gastos.

PARA REDUCIR EL RIESGO DE QUE ARDA LA GRASA EN LA PARTE SUPERIOR DE LA COCINA:

- a) No deje nunca recipientes de cocina a fuego vivo sin vigilancia. Los desbordamientos producen humo y derrames grasientos que pueden inflamarse. Caliente el aceite despacio, a fuego lento o mediano.
- b) Ponga en marcha siempre la campana extractora al cocinar a temperaturas elevadas o al cocinar alimentos flameados (crepas Suzette, cerezas jubilee, res con pimienta flambeada).
- c) Limpie los ventiladores con frecuencia. No deje que la grasa se acumule en el ventilador, ni en los filtros o en los conductos de evacuación.
- d) Utilice cacerolas de tamaño apropiado. Emplee siempre un recipiente adecuado para el tamaño de la placa.

⚠️ ADVERTENCIA

PARA REDUCIR EL RIESGO DE LESIONES CORPORALES EN EL CASO DE QUE ARDA LA GRASA EN LA PARTE SUPERIOR DE LA COCINA, SIGA ESTAS INDICACIONES*:

1. SOFOQUE LAS LLAMAS con una tapa ajustada, una hoja o bandeja metálica para hornear galletas, y apague luego el quemador. TENGA CUIDADO PARA EVITAR QUEMADURAS. SI LAS LLAMAS NO SE APAGAN INMEDIATAMENTE, EVACUE EL LUGAR Y LLAME A LOS BOMBEROS.
2. NO SUJETE NUNCA UNA SARTÉN EN LLAMAS ya que podría quemarse.
3. NO USE AGUA, ni trapos húmedos. Podría causar una violenta explosión de vapor.
4. Utilice un extintor SOLAMENTE si:
 - A. Tiene un extintor de tipo ABC y sabe usarlo.
 - B. El fuego es pequeño y está circunscrito a la zona donde empezó.
 - C. Ya ha llamado a los bomberos.
 - D. Puede tratar de apagar el fuego si dispone siempre de una salida detrás de usted.

* Fuente: "Kitchen Fire Safety Tips" publicado por la NFPA

PRECAUCIÓN

1. Sólo para una utilización en el interior.
2. Sólo para ventilación general. No debe utilizarse para extraer materiales o vapores peligrosos o explosivos.
3. Para evitar daños en el cojinete de los motores y que las hélices haga ruido o se desequilibre, mantenga la campana lejos de los vaporizadores de pirca, del polvo de la construcción, etc.
4. El motor de la campana tiene un dispositivo contra sobrecargas térmicas que apaga el motor automáticamente si éste se sobrecalienta. El motor volverá a ponerse en marcha cuando se enfríe. Si el motor sigue apagándose, haga examinar la campana.
5. La distancia mínima entre la campana y la superficie sobre la que se cocina NO DEBE SER inferior a 24". Se aconseja una distancia máxima de 30" por encima de la superficie sobre la que se cocina para capturar mejor las impurezas que se producen al cocinar.
6. Dado el peso y el tamaño de esta unidad, se aconseja que la instalen dos personas.
7. Para reducir los riesgos de fuego y extraer el aire debidamente, el aire debe evacuarse fuera. No extraiga el aire a espacios situados entre las paredes, en el techo o en el desván, falso techo o garaje.
8. Dada la alta capacidad de expulsión de aire de esta campana, debe asegurarse de que en la casa entra aire suficiente. Abra una ventana en o cerca de la cocina.
9. Para reducir el riesgo de incendio y de choque eléctrico, los modelos de la serie WCN1 de Best deben instalarse únicamente con su propio ventilador impelente incorporado.
10. Usando en el modo sin conducto, para reducir el riesgo de fuego o de descarga eléctrica, los modelos de la serie WCN1 de Best sólo deben instalarse con el conjunto de recirculación sin conducto modelo ANKWCN1.
11. Para mayor información y conocer los requisitos, lea la etiqueta con las especificaciones en el producto.

1. PREPARE LA INSTALACIÓN

NOTA : antes de empezar la instalación, compruebe el contenido de la caja. Si hay elementos que faltan o están dañados, póngase en contacto con el detallista.

Compruebe que los siguientes elementos están incluidos:

- Campana
- Accesorios
 - Conjunto de la chimenea decorativa (parte inferior y superior)
 - Soporte de montaje de la campana
 - Soporte de montaje de la parte superior de la chimenea
 - Filtros de grasa
 - Compuerta redonda de 8 pulg.
 - Bolsa de piezas incluyendo: 9 tornillos #8 x 1-1/2 pulg. Phillips de cabeza plana;
 - 2 tornillos M4 x 12 Phillips de cabeza redonda,
 - 4 tornillos M4 x 8 Phillips de cabeza redonda,
 - 2 arandelas y 3 conectadores
- Manual de instalación

Piezas vendidas por separado:

- Conductos, codos, tapa de techo o tapa de pared
- Filtros híbridos opcionales (conjunto de 2) AFBWCN1
- Prolongación opcional para la chimenea para techos de 10 pies a 11 pies modelo n.º AEWCN1SS
- Conjunto para instalación sin conducto modelo ANKWCN1, obligatorio para una instalación sin conducto

NOTA: durante la instalación, proteja la encimera y la parte superior de la cocina.



2. SELECCIONE EL TIPO DE INSTALACIÓN

⚠ ADVERTENCIA

Para instalar, reparar o limpiar la campana, se aconseja llevar lentes y guantes de seguridad.

2.1 INSTALACIÓN SIN CONDUCTO

El conjunto para instalación sin conducto modelo ANKWCN1 es necesario para este tipo de instalación.

2.2 INSTALACIÓN CON CONDUCTOS

Planifique dónde y cómo instalará los conductos.

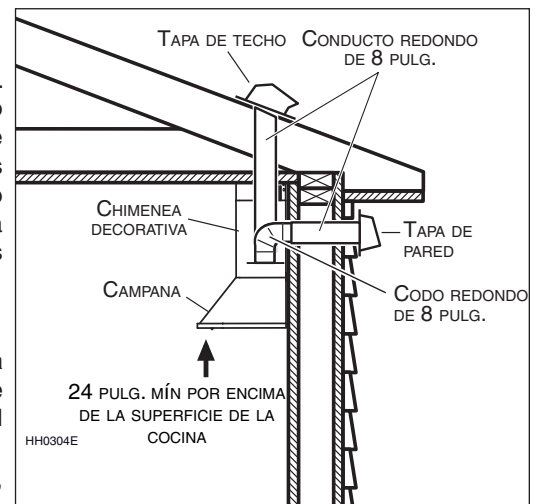
Un conducto recto y corto permitirá que la campana funcione más eficientemente. Los tramos largos de conductos, codos y transiciones reducirán el rendimiento de la campana. Use tan pocos de ellos como sea posible. Es posible que se requieran conductos más grandes para un mejor funcionamiento con tramos más largos de conductos. Instale la tapa para pared o techo. Conecte un conducto metálico redondo de 8" en la tapa y trabaje hacia atrás, hacia la ubicación de la campana. Use cinta adhesiva metálica de 2" para sellar las juntas entre los tramos de los conductos.

2.3 TODAS LAS INSTALACIONES

La distancia mínima entre la superficie sobre la que se cocina y la campana es de 24". Se aconseja una distancia máxima de 30" por encima de la superficie sobre la que se cocina para capturar mejor las impurezas que se producen al cocinar.

Las distancias superiores a 30" son a discreción del instalador y de los usuarios, siempre que la altura del techo y la longitud de la chimenea decorativa lo permiten.

NOTA: Techos de 10 pies a 11 pies necesitan una prolongación opcional para la chimenea modelo n.º AEWCN1SS (acero inoxidable).



3. CONSTRUIR LA ESTRUCTURA

⚠ ADVERTENCIA

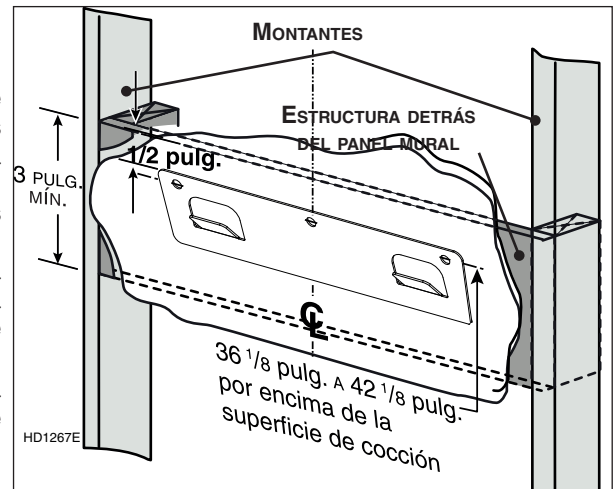
- Al cortar o taladrar en la pared o en el techo, procure no dañar el cableado eléctrico ni otras instalaciones ocultas.
- Siga siempre todos los códigos y normas de construcción aplicables al construir la estructura mural.

Construya una estructura mural de madera que sea pareja con la superficie de los montantes de la pared. La estructura mural de madera debe tener al menos 1/2 pulg. de grosor y 3 pulg. de altura. Sujete la estructura mural de madera a los montantes para lograr una instalación sólida.

Asegúrese de que la altura de la estructura permitirá sujetar los tornillos conforme a las dimensiones que se muestran.

Una vez terminada la superficie de la pared, utilice un nivel para trazar una línea vertical hasta el techo, empezando desde el centro de la ubicación de la campana. Medir y marcar la ubicación de los tornillos usando las medidas que aparecen a la derecha.

Centre y ponga a nivel el soporte de montaje en el lugar donde se instalará la campana. Sujételo a la estructura con 2 tornillos #8 x 1-1/2 pulg. Phillips de cabeza plana.

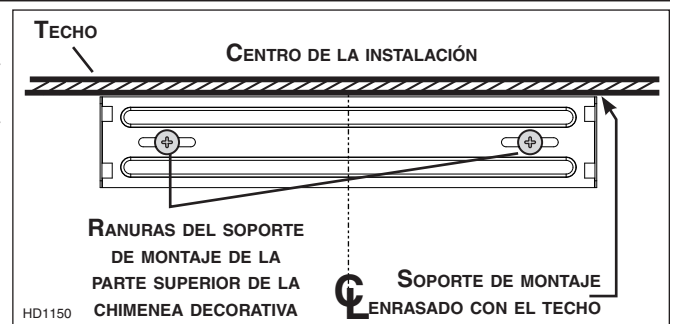


36 1/8 PULG. = PARTE INFERIOR DE LA CAMPANA 24 PULG. POR ENCIMA DE LA SUPERFICIE DE COCCIÓN
42 1/8 PULG. = PARTE INFERIOR DE LA CAMPANA 30 PULG. POR ENCIMA DE LA SUPERFICIE DE COCCIÓN

4. INSTALE EL SOPORTE DE MONTAJE DE LA PARTE SUPERIOR DE LA CHIMENEA (INSTALACIÓN CON CONDUCTOS SOLAMENTE)

Centre el soporte de montaje de la parte superior de la chimenea con la línea central trazada anteriormente en la etapa 3 y colóquelo a ras con el techo. Use el soporte de montaje de la parte superior de la chimenea como plantilla para marcar la posición de sus tornillos.

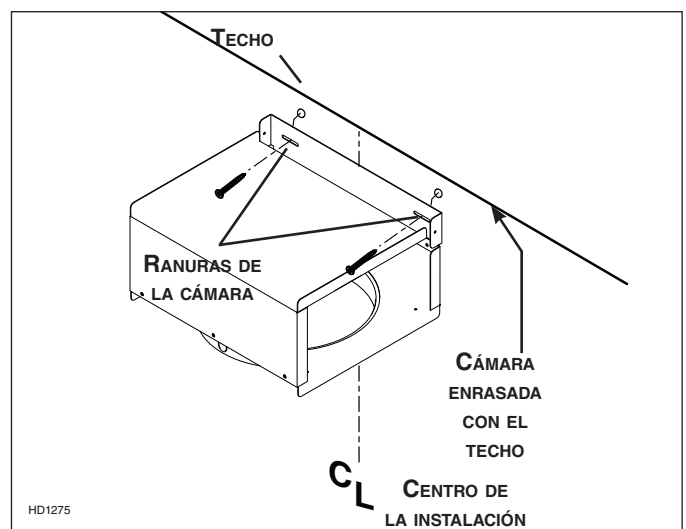
Sujete el soporte de montaje de la parte superior de la chimenea con 2 tornillos #8 x 1-1/2 pulg. Phillips de cabeza plana. Asegúrese de que el soporte quede bien apretado contra la pared.



5. INSTALE LA CÁMARA (INSTALACIÓN SIN CONDUCTO SOLAMENTE)

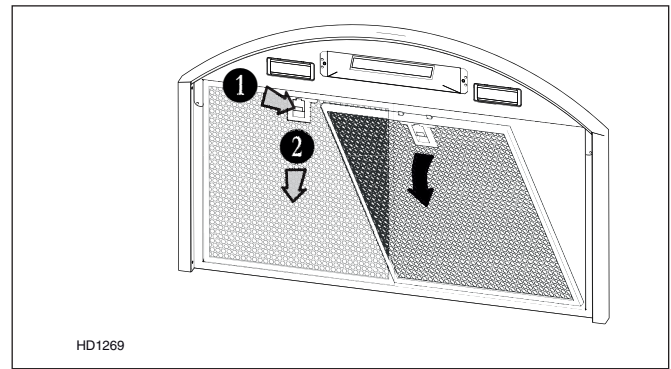
Centre la cámara (incluida con el conjunto para la instalación sin conducto) con la línea central trazada anteriormente en la etapa 3 y colóquela a ras con el techo. Use la cámara como plantilla para marcar la posición de sus tornillos.

Sujete la cámara con 2 tornillos #8 x 1-1/2 pulg. Phillips de cabeza plana. Asegúrese de que la cámara quede bien apretada contra la pared.

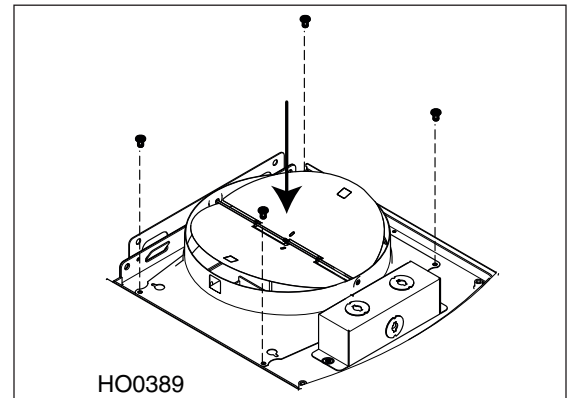


6. QUITA LOS FILTROS DE GRASA

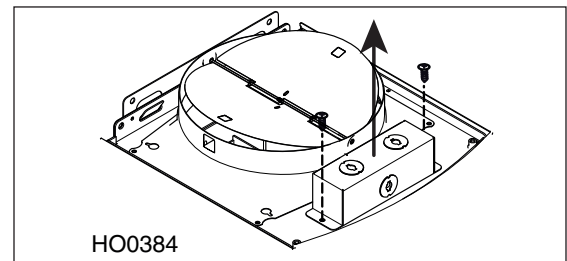
Deje la parte posterior de la campana plana sobre una mesa. Utilice un pedazo de cartón para evitar dañar la mesa o la campana. Retire los filtros de grasa presionando el cierre para abajo e inclinando cada filtro. Reserve los filtros.



Instale la compuerta usando 4 tornillos M4 x 8 Phillips de cabeza redonda.



Retire la tapa de la caja de conexiones de la parte superior de la campana retirando los dos tornillos. Coloque la tapa y los tornillos a un lado.

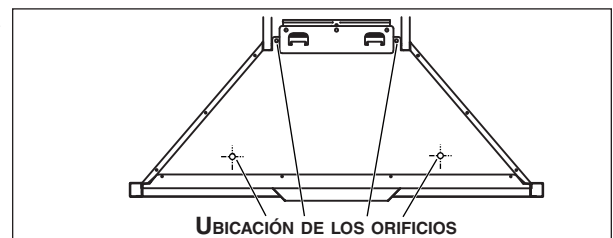


7. INSTALE LA CAMPANA

⚠ ADVERTENCIA

TENGA CUIDADO al instalar la chimenea decorativa y la campana, pueden tener bordes cortantes.

1. Alinee la campana y céntrala por encima del soporte de montaje de la campana. Baje lentamente la campana hasta que encaje en el soporte de montaje.
2. Ponga a nivel la campana.
3. Con la campana colgando en su lugar, marque en la pared los cuatro lugares de los orificios (véase la ilustración a la derecha).
4. Retire la campana.
5. Taladre en la pared los cuatro orificios marcados utilizando una broca de 3/32 pulg.
6. Cuelgue la campana en el soporte de la pared.
7. Sujete la campana a la pared con 2 tornillos #8 x 1-1/2 pulg. Phillips de cabeza plana por los orificios superiores. Use 2 arandelas y 2 tornillos #8 x 1-1/2 pulg. Phillips de cabeza plana por los orificios inferiores.

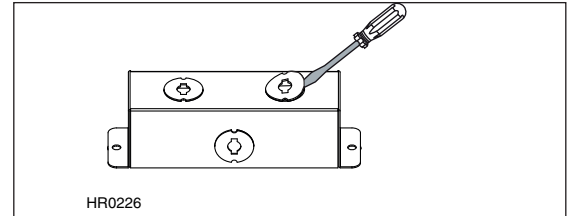


8. CONEXIÓN ELÉCTRICA

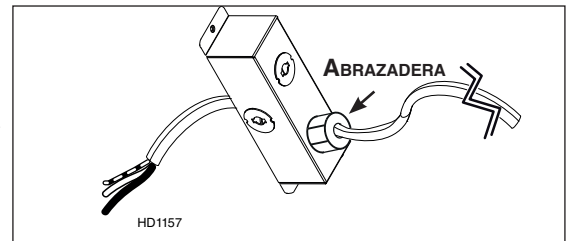
⚠ ADVERTENCIA

Riesgo de descarga eléctrica. El cableado eléctrico debe hacerlo personal cualificado de acuerdo todos los códigos y normas. Antes de iniciar el cableado, desconecte la corriente eléctrica en la entrada de servicio y bloquee éste para evitar que se ponga en marcha accidentalmente.

Retire un orificio punzonado sobre la parte superior de la caja de conexiones previamente colocado de lado.

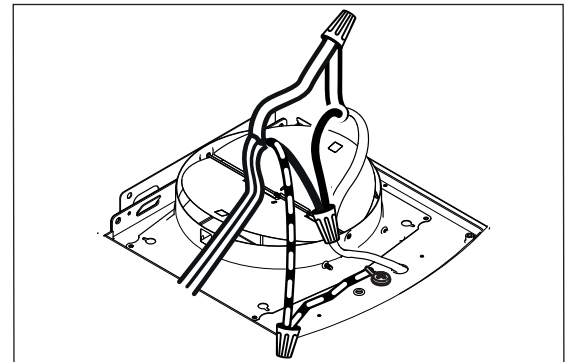


Instale una abrazadera aprobada por UL (no provista) sobre el cable de alimentación de la casa a 4 pulg. del extremo del cable. Pase el cable de alimentación a través de la abertura de la tapa de la caja de conexiones y utilice la abrazadera para sujetar el cable de alimentación de la casa a la tapa de la caja de conexiones.



Conecte el cableado de la campana al cable de alimentación de la vivienda usando los conectores suministrados : El hilo NEGRO con el NEGRO, el BLANCO con el BLANCO y el VERDE o el hilo pelado con el VERDE.
NO OLVIDES CONECTAR LA PUESTA A TIERRA.

Reintegre la tapa de la caja de conexiones. Asegúrese de que todos los cables sean en la tapa de la caja de conexiones.



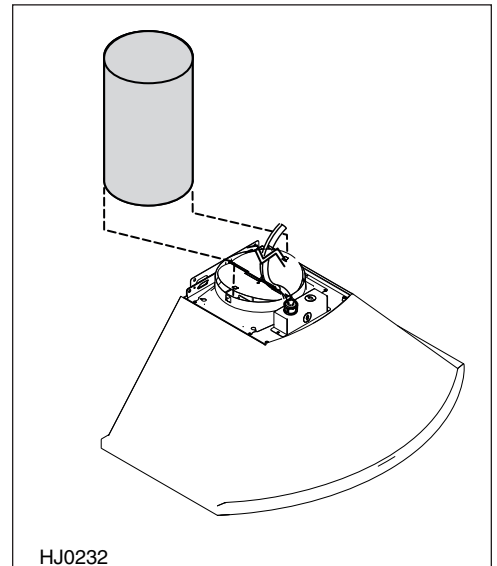
PRECAUCIÓN

Asegúrese de no atascar ningún hilo al volver a colocar la tapa de la caja de conexiones.

9. CONEXIÓN DEL CONDUCTO

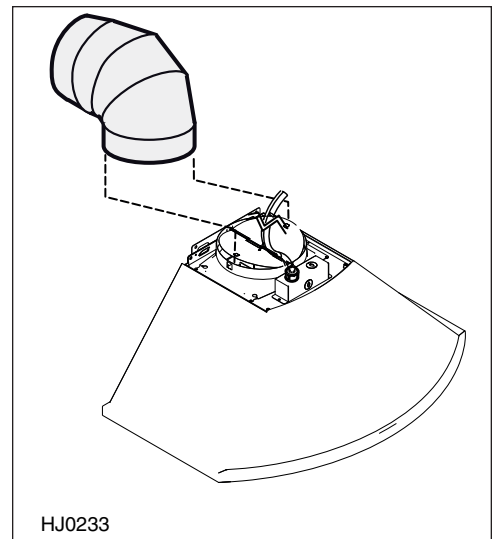
INSTALACIÓN POR SALIDA VERTICAL:

Ponga una sección de conducto redondo de acero de 8 pulg. sobre el adaptador/compuerta en la campana hasta la tapa de techo. Utilice cinta adhesiva metálica para sellar la junta.



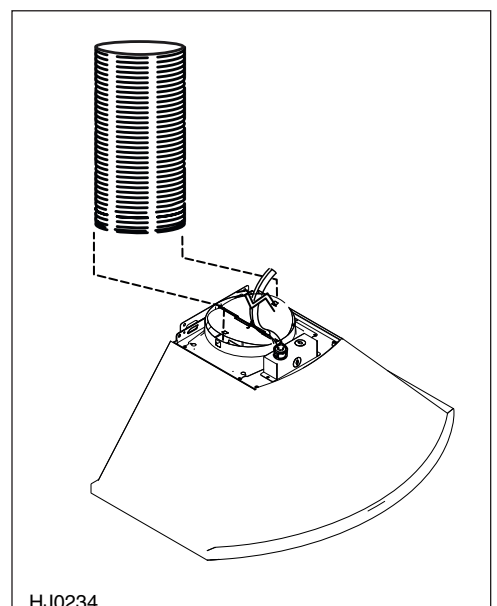
INSTALACIÓN POR SALIDA HORIZONTAL:

Mida e instale los conductos redondos de acero de 8 pulg. a la tapa para pared, y el codo de 90° sobre el adaptador/compuerta en la campana. Utilice cinta adhesiva metálica para sellar las juntas.



INSTALACIÓN SIN CONDUCTO:

Retirar las compuertas del adaptador. Mida la longitud necesaria de conducto flexible redondo de 8 pulg. de aluminio (incluido en el kit para sistemas sin conductos) para cubrir la distancia que separa la parte superior de la campana y la cámara. Ponga el conducto flexible redondo de 8 pulg. sobre el adaptador en la campana. Utilice cinta adhesiva metálica para sellar la junta.



10. PREPARE LA CHIMENEA DECORATIVA

PRECAUCIÓN

NO RETIRE aún la película protectora de plástico que cubre la parte superior de la chimenea decorativa.

NOTA: Las partes inferior y superior de la chimenea vienen con la campana, pero para techos de 9 pies o más, deseche las partes inferior y superior y utilice la prolongación opcional de la chimenea, n.º de pieza AEWCN1SS (vendida por separado).

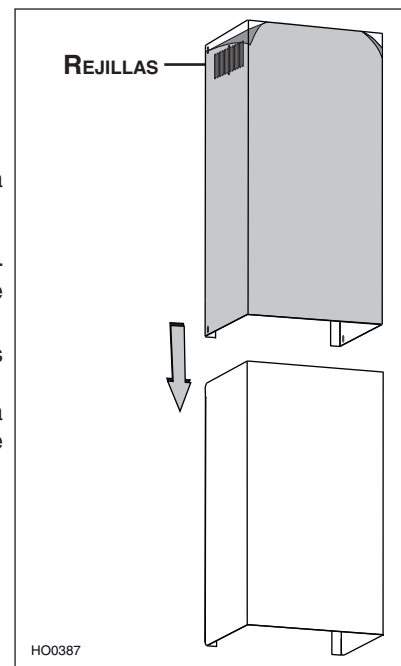
Retire la parte superior del interior de la parte inferior de la chimenea decorativa. Retire la película protectora de plástico que cubre sólo la parte inferior de la chimenea.

Despegue las dos esquinas superiores de la película protectora en la parte superior de la chimenea.

NOTA: Únicamente para una instalación sin conducto, retire la película protectora de plástico que cubre las rejillas.

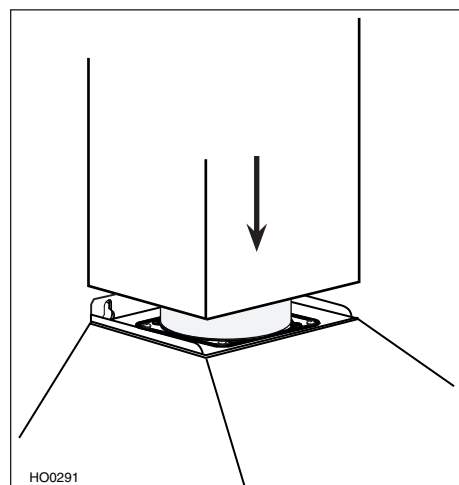
Deslice con cuidado la parte superior de la chimenea dentro de la parte inferior de forma que las rejillas queden arriba.

NOTA: Únicamente para una instalación con conductos, se puede invertir la parte superior de la chimenea para ocultar las rejillas en algunas aplicaciones dependiendo de las alturas de instalación.



11. INSTALE LA CHIMENEA DECORATIVA

Coloque cuidadosamente en su lugar la base de la chimenea decorativa en la parte superior de la campana.

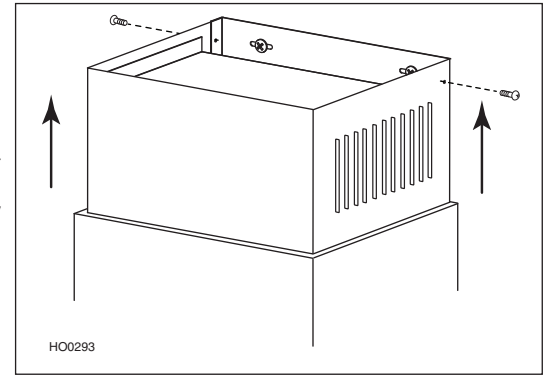


11. INSTALE LA CHIMENEA DECORATIVA (CONTINUACIÓN)

INSTALACIÓN SIN CONDUCTO:

Tira hacia arriba la parte superior de la chimenea decorativa y fijela a la cámara usando 2 tornillos M4 x 12 Phillips de cabeza redonda.

Retire la película protectora de plástico que cubre la parte superior de la chimenea y la campana.



INSTALACIÓN CON CONDUCTOS:

Tira hacia arriba la parte superior de la chimenea decorativa hasta que quede alineada con el soporte de montaje. El soporte debe quedar dentro de la chimenea. Sujete la parte superior de la chimenea al soporte con 2 tornillos M4 x 12 Phillips de cabeza redonda.

NOTA: no se muestra el conducto en la ilustración para facilitar la comprensión.

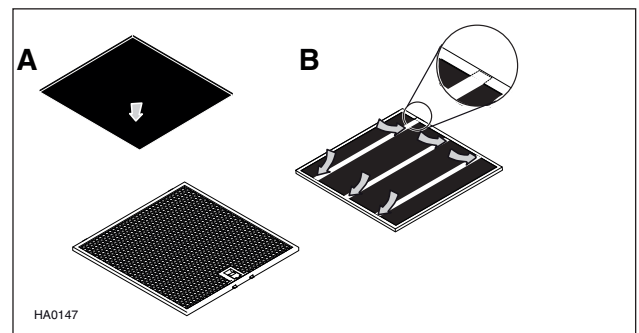
Retire la película protectora de plástico que cubre la parte superior de la chimenea y la campana.



12. VUELVA A INSTALAR LOS FILTROS DE GRASA

INSTALACIÓN SIN CONDUCTO:

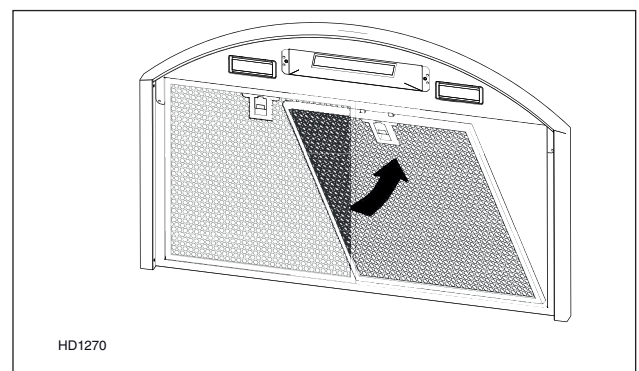
Instale un filtro de carbón en la parte posterior de cada filtro de grasa (A). Sostener el filtro de carbón en su lugar insertando los extremos de las 3 tiras de metal en el marco de cada filtro de grasa (B).



TODAS LAS INSTALACIONES:

Reinstale los filtros de grasa alineando las lengüetas posteriores del filtro con las ranuras de la campana. Presione el filtro en su posición y libere.

Asegúrese de que los filtros estén seguramente enganchados después de su instalación.



13. FUNCIONAMIENTO

Ponga en marcha siempre la campana antes de empezar a cocinar para crear una corriente de aire en la cocina. Deje que el ventilador funcione durante unos minutos para limpiar el aire una vez apagada la cocina. Esto ayudará a mantener toda la cocina más limpia y despejada.



BOTÓN TEMPORIZADOR DE APAGADO

Cuando se activa, el icono se enciende y la velocidad actual del ventilador se mantiene efectiva durante 10 minutos y después el ventilador se apaga. La velocidad del ventilador se puede modificar durante el plazo de 10 minutos.

Para desactivar la función temporizador de apagado, presionar el botón temporizador de apagado.

BOTÓN VENTILADOR

Cuando se activa, el icono se enciende y el ventilador funciona a la última velocidad grabada. Si no hay velocidad grabada, el ventilador funcionará a la velocidad 1.

Para modificar la velocidad del ventilador, presionar el botón de la velocidad deseada (1, 2, 3 o 4). El botón de la velocidad actual se encenderá.

Para apagar el ventilador, presionar el botón ventilador o presionar el botón de la velocidad actualmente en función.

BOTÓN DE LAS LUCES

Cuando se activa, el icono se enciende con el/los punto(s), a la derecha del icono, que representa(n) la intensidad de la iluminación. Presionando una vez el botón, el primer punto se encenderá. Presionando dos veces el botón, el primer y el segundo puntos se encenderán.

Presionando tres veces el botón, los tres puntos se encenderán.

Para apagar las luces, presionar una cuarta vez el botón.

14. CUIDADO

Filtro(s) de grasa

Los filtros de grasa deberían limpiarse con frecuencia. Use una disolución de agua tibia y detergente para vajilla. Los filtros de grasa se pueden lavar en el lavaplatos.

Lave los filtros metálicos en el lavaplatos con un detergente sin fosfato. Los filtros de pueden descolorar si se lavan con detergentes con fosfato o debido a las características del agua local pero esto no afecta su desempeño. Esta descoloración no está cubierta por la garantía.

Filtros de recirculación

Cambie los filtros de recirculación cada 6 meses.

Limpieza de la campana

Debe hacerse:

- Lavar regularmente con un paño limpio o un trapo empapado con agua tibia y jabón suave sin fosfato o detergente líquido para vajillas.
- Limpiar siempre en la dirección de las líneas originales de pulido del metal.
- Enjuagar siempre con agua limpia (2 o 3 veces) después de limpiar. Secar completamente.
- También puede utilizar un limpiador doméstico especial para acero inoxidable.

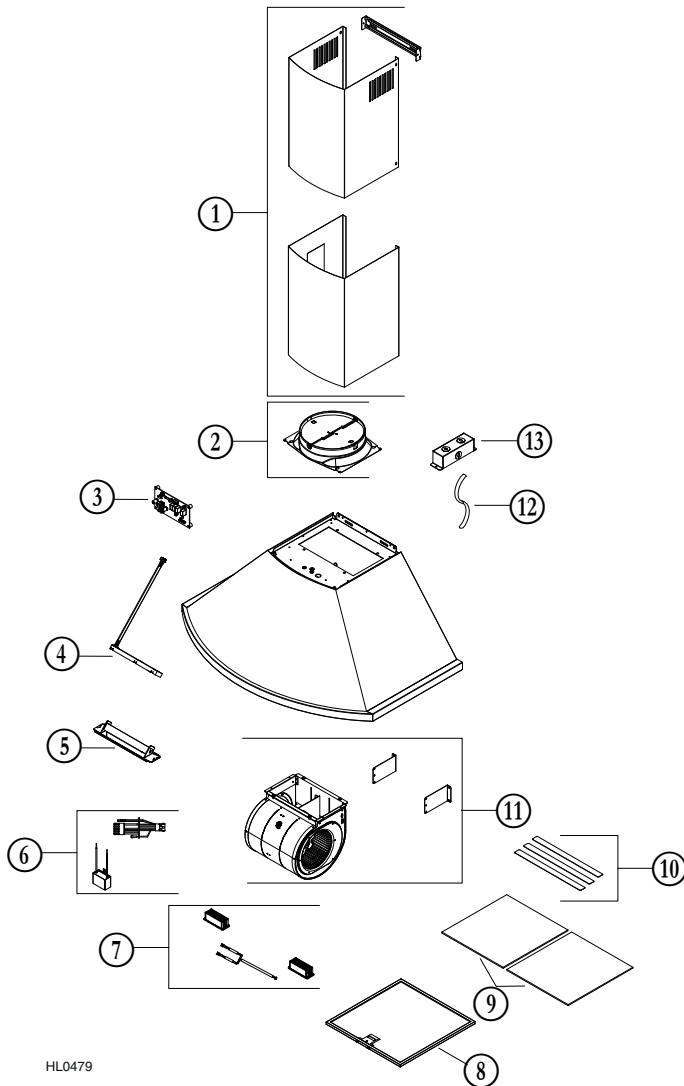
No debe hacerse:

- Utilizar un estropajo de acero o acero inoxidable u otro tipo de rasquetas para quitar la suciedad resistente.
- Utilizar limpiadores fuertes o abrasivos.
- Dejar que la suciedad se acumule.
- Dejar que el polvo del yeso u otros residuos de la construcción manchen la campana. Si efectúa obras de construcción o renovación, cubra la campana para que no se manche la superficie de acero inoxidable.

Al escoger un detergente, evite:

- Los limpiadores que contienen **blanqueador** (lejía), ya que dañarán el acero inoxidable.
- Los productos que contengan **cloruro, fluoruro, yoduro y bromuro**, ya que deterioran las superficies rápidamente.
- Los productos combustibles que se emplean para la limpieza, como **acetona, alcohol, éter, bencol, etc.**, ya que son altamente explosivos y nunca deberían estar cerca de una cocina.

15. PIEZAS DE RECAMBIO



HL0479

REPUESTOS Y REPARACIONES

Para que el aparato esté en buenas condiciones, sólo debe utilizar repuestos Broan-NuTone genuinos. Los repuestos Broan-NuTone genuinos han sido diseñados especialmente para cada aparato, han sido fabricados de conformidad con todas las normas de certificación aplicables y ofrecen un alto nivel de seguridad. El uso de repuestos diferentes puede provocar daños graves y reducir drásticamente el nivel de rendimiento del aparato, lo cual podría causar una avería prematura. Broan-NuTone recomienda ponerse en contacto con un almacén de servicio certificado para todos los repuestos y reparaciones.

N.º	N.º DE PIEZA	DESCRIPCIÓN	30 pulg. y 36 pulg.
1	S97021513	CHIMENEA DECORATIVA (SUPERIOR Y INFERIOR) CON SOPORTE	1
2	S99528418	CONJUNTO DE LA COMPUERTA	1
3	S97021516	TARJETA ELECTRÓNICA	1
4	S97021514	INTERFAZ DE USUARIO	1
5	S97021515	SOPORTE DE LA INTERFAZ DE USUARIO	1
6	S99271697	CONJUNTO DEL CONDENSADOR Y ARNES DE HILOS	1
7	S99271698	MÓDULOS LED (JUNTO DE 2)	1
8	S99528414	FILTRO DE GRASA DE ALUMINO (SE VENDE POR UNIDAD)	2
9	S99010512	FILTROS DE RECIRCULACIÓN (JUNTO DE 2) (TIRAS DE METAL NO INCLUIDAS)	1
10	S99010513	TIRAS DE METAL POR FILTROS DE RECIRCULACIÓN S99010512 (JUNTO DE 3)	2
11	S99528407	CONJUNTO DE MOTOR Y VENTILADOR	1
12	S99271696	CABLE DE ALIMENTACIÓN	1
13	S99840026	CAJA DE CONEXIONES	1
*	S97021512	BOLSA DE PIEZAS: 9 TORNILLOS #8 x 1-1/2 PULG. PHILLIPS DE CABEZA PLANA, 2 TORNILLOS M4 x 12 PHILLIPS DE CABEZA REDONDA, 4 TORNILLOS M4 x 8 PHILLIPS DE CABEZA REDONDA, 2 ARANDELAS, 3 CONECTADORES, 1 SOPORTE DE MONTAJE DE LA PARTE SUPERIOR DE LA CHIMENEA Y 1 SOPORTE DE MONTAJE DE LA CAMPANA	1

* NO SE MUESTRA

16. GARANTIA

Garantía limitada DE CINCO AÑOS PARA PRODUCTOS BEST®

Periodo de garantía y exclusiones: Broan-NuTone LLC (la «Compañía») garantiza al consumidor quien compra su producto («Usted») que el producto (el «Producto») será libre de defectos importantes de fabricación y de materiales por una duración de cinco (5) años a partir de la fecha de compra (o por una duración más larga si la ley aplicable lo exige) o un periodo de dos (2) años a partir de la fecha de prestación de un servicio sobre el Producto.

El periodo de garantía limitada para las piezas de repuesto proporcionadas por la Compañía y los Productos reparados o reemplazados bajo esta garantía limitada será el resto del periodo de garantía original (o un periodo más largo si la ley aplicable lo exige).

ESTA GARANTÍA EXCLUYE LOS ARRANCADORES DE LÁMPARAS FLUORESCENTES, LOS TUBOS, LAS BOMBILLAS, LOS FUSIBLES, LOS FILTROS, LOS CONDUCTOS, LAS TAPAS PARA TECHO, LAS TAPAS PARA PARED Y LOS OTROS ACCESORIOS PARA CONDUCTOS. También excluye: a) el mantenimiento normal, b) el uso y desgaste normales, c) los productos y las piezas que han sido objeto de un uso indebido, anormal o negligente, un maltrato, un accidente, un mantenimiento, almacenamiento o reparación inadecuados (excepto en caso de reparación por la Compañía), d) los daños causados por una instalación inadecuada, o por una instalación o un uso contrario a las recomendaciones o instrucciones, e) los daños causados por el contacto con el aire salino, f) los daños que ocurran durante el transporte, g) el desgaste normal del acabado, h) los Productos que son objeto de un uso comercial o no residencial, i) los daños causados por el fuego, una inundación u otro desastre natural o j) los Productos a los cuales se les haya alterado, desfigurado o removido el número de serie. Esta garantía solo cubre los Productos vendidos a consumidores de Norteamérica.

Esta garantía substituye todas las garantías anteriores y, sin perjuicio de la ley aplicable, no se puede transferir por el comprador original.

Ninguna otra garantía: Esta garantía limitada enuncia la única obligación de la Compañía y el único recurso que tiene Usted en cuanto a los Productos defectuosos. Las garantías enunciadas arriba son exclusivas y se anteponen a todas las otras garantías y condiciones, ya sean expresas o implícitas. **EN LA MEDIDA MÁXIMA EN QUE LO PERMITA LA LEY APLICABLE, LA COMPAÑÍA RENUNCIA A TODAS LAS OTRAS GARANTÍAS Y CONDICIONES EXPRESAS O IMPLÍCITAS POR LA LEY Y LAS EXCLUYE, INCLUYENDO, ENTRE OTRAS, LAS GARANTÍAS DE COMERCIALIZACIÓN Y LAS DE IDONEIDAD PARA UN PROPÓSITO PARTICULAR.** En la medida en que la ley aplicable prohíba la exclusión de las garantías o condiciones implícitas, la duración de cualquier garantía o condición implícita aplicable se limita al periodo indicado para la garantía expresa mencionada arriba. Ciertas jurisdicciones (incluyendo a veces la provincia de Quebec o ciertos estados de los Estados Unidos) prohíben la restricción de la duración de las garantías implícitas, así que la restricción mencionada arriba podría no aplicarse a Usted. Las descripciones orales o escritas del Producto tienen como único propósito identificar al Producto y no se deben interpretar como una garantía expresa.

Cuando sea posible, cada disposición de esta garantía limitada se debe interpretar de manera que tenga plena validez y efectos legales bajo la ley aplicable, pero en el caso de que se declare prohibida o nula una disposición, ésta será nula solo en la medida en que lo prevea esta prohibición o nulidad, sin efecto para los otros elementos de esta disposición o las otras disposiciones de esta garantía limitada.

Recurso: Durante el periodo de garantía limitada aplicable, la Compañía, según su criterio, proporcionará piezas de repuesto o servicios de reparación o reemplazo sin cargo alguno para cualquier Producto o pieza de Producto, en la medida en que la Compañía constata a) que esta garantía cubre este Producto o esta pieza bajo un uso y mantenimiento normales y b) que la garantía queda incumplida. La Compañía le enviará el Producto reparado, el producto de reemplazo o las piezas de repuesto sin cargo alguno. Usted tendrá que pagar todos los costos de desinstalación, reinstalación y envío así como los otros cargos de transporte relacionados con el envío del Producto o la pieza a la Compañía. Si Usted debe enviar el Producto o la pieza a la Compañía, conforme a las instrucciones de la misma, Usted tendrá que empaquetar el Producto o la pieza correctamente; la Compañía no es responsable de los daños que ocurran durante el transporte. La Compañía se reserva el derecho de utilizar Productos o piezas reacondicionados, renovados, reparados o remanufacturados para la reparación o el reemplazo bajo esta garantía. Estos Productos y piezas serán comparables en cuanto a la función y el rendimiento con el Producto o la pieza original y serán garantizados por la duración restante del periodo de garantía original (o por una duración más larga si la ley aplicable lo exige). La Compañía se reserva el derecho, según su exclusivo criterio, de reembolsar el monto que Usted haya realmente pagado por el Producto. Si el Producto o la pieza ya no está disponible, la Compañía puede, según su exclusivo criterio, reemplazarlo con un producto similar de valor igual o superior. Esto constituye su único y exclusivo recurso en caso de incumplimiento de esta garantía limitada.

Exclusión de los daños: LA OBLIGACIÓN DE LA COMPAÑÍA DE PROPORCIONAR PIEZAS DE REPUESTO O DE REPARAR O REEMPLAZAR EL PRODUCTO, SEGÚN SU CRITERIO, ES EL ÚNICO Y EXCLUSIVO RECURSO QUE TIENE USTED BAJO ESTA GARANTÍA LIMITADA Y LA ÚNICA OBLIGACIÓN DE LA COMPAÑÍA. ÉSTA NO SERÁ RESPONSABLE DE LOS DAÑOS INCIDENTALES, INDIRECTOS, CONSECUENTES O ESPECIALES CAUSADOS DIRECTAMENTE O INDIRECTAMENTE POR EL PRODUCTO, SU USO O SU RENDIMIENTO.

Puesto que ciertas jurisdicciones prohíben la exclusión o restricción de los daños incidentales o consecuentes, la exclusión o restricción mencionada arriba podría no aplicarse a Usted. Esta garantía le otorga derechos legales específicos, y Usted también podría tener otros derechos, los cuales pueden ser diferentes según la jurisdicción. Las renunciaciones, exclusiones y restricciones de responsabilidad bajo esta garantía no se aplican en la medida en que lo prohíba la ley aplicable. Esta garantía solo cubre el reemplazo o la reparación de las piezas o los Productos defectuosos al sitio de negocio principal de la Compañía; los gastos de viaje y estancia relacionados con los servicios de campo están excluidos. Cualquier asistencia proporcionada u obtenida para Usted por la Compañía y que no está cubierta por las condiciones, restricciones o exclusiones de esta garantía limitada no constituye una renuncia a estas condiciones, restricciones y exclusiones, y la prestación de dicha asistencia no prolongará o restablecerá la garantía.

La Compañía no le reembolsará los gastos que Usted haya hecho por la reparación o el reemplazo de un Producto defectuoso, excepto si Usted ha previamente recibido el permiso escrito de la Compañía por ellos.

Cómo obtener el servicio de garantía: Para tener derecho al servicio de garantía, Usted debe a) informar la Compañía a la dirección o al número de teléfono escrito aquí abajo dentro de siete (7) días después de que haya descubierto el defecto cubierto, b) dar el número de serie y los datos de identificación de la pieza y c) describir la naturaleza de cualquier defecto del Producto o de la pieza. Cuando solicite el servicio de garantía, Usted tiene que presentar una prueba de la fecha de compra original. Si no puede proporcionar una copia de la versión escrita original de la garantía limitada, las condiciones de la versión más reciente de la garantía limitada de la Compañía para su producto se aplicarán.

ESPECIFICACIONES DEL PRODUCTO

Todas las ilustraciones y las especificaciones en este catálogo están establecidas según la información que era la más reciente en el momento en cual fue producido. Broan-NuTone LLC y BEST® se reservan el derecho de cambiar, en cualquier momento y sin previo aviso, los precios, colores, materiales, productos, especificaciones y modelos y el lugar de fabricación, así como de parar la producción de un modelo o producto.

Best

Broan-NuTone, LLC: 926 W. State Street, Hartford, WI 53207 1 800 637-1453

Best®, 550, boul. Lemire, Drummondville (Québec), Canada (1 866 737-7770) www.bestrangehoods.com