



Powered by the exclusive iQ Blower System™ with GPS Technology for the quietest, most energy efficient and fastest smoke and odor removal available in a range hood; external blowers offered separately.

Bright Halogen lighting floods the cooktop and surrounding area for clear visibility.

Mesh lined Hi-Flow™ baffle filters provide superior grease capture to ensure a clean, fresh kitchen.

Heat Sentry™ detects excessive heat and adjusts blower to high automatically.

Works with optional Universal Make-Up Air Dampers.

#### Model Numbers:

WPB9IQT48SB



Three-speed, plus boost, electronic controls include 10-minute delay-off and filter clean reminder.



Four Halogen lamps brilliantly illuminate the cooktop.



Hi-Flow™ baffle filters utilize a V-mesh & baffle design to increase airflow, decrease sound levels and provide excellent ventilation efficiency.



Optional ACR3 remote control lets the busy cook stay in control from anywhere in the kitchen.

#### Hood Sizes

<b>Width</b>	<b>48"</b>
<b>Depth</b>	<b>24"</b>

#### Finish

Stocked	Brushed Stainless Steel
Special Order	Not Available

#### Features

Lighting Type	Halogen, T4, G9, 25-watt
Number of Lamps	4
Lighting Levels	2
Lighting Lamps Included	Yes
Control Type	3-speed Plus Boost Electronic Pushbutton with Display
Control Features	Heat Sentry™, Delay Off, Filter Clean Reminder
Remote Control	Optional ACR3
Filter Type	Hi-Flow™ Baffle Filter
Non-ducted Capability	Yes

#### Hood Blower Included (WPB9IQ)

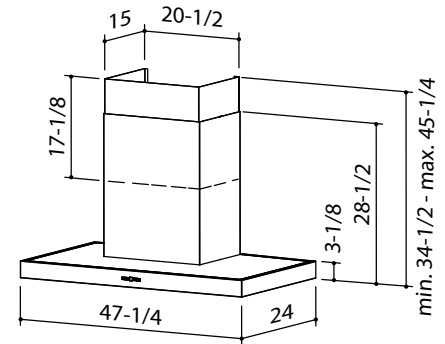
<b>Internal</b>	<b>iQ12</b>
Blower CFM	1200
Sones Low/Boost	0.3/11.0

#### Accessories

10'-11' Flue Extension (ducted)	AEWPB9SB
10'-11' Flue Extension (non-ducted)	AEWPB9SBN
Non-duct Kit	ANKWPB9
Non-duct Filter	AFCWPB9
Universal MUA Damper	MD6TU, MD8TU, MD10TU (Requires Fresh Air Inlet)
Fresh Air Inlet	641FA, 643FA, 610FA

#### Installation Requirements

Amps @ 120V: Internal Blower	8.4
Amps @ 120V: External Blower	7.0 Max
Electrical	Direct Wire
Duct Size: Internal Blower	10"
Duct Size: External Blower	10" (at hood)
Duct Direction	Vertical
Backdraft Damper	Included



Installation height above the cooking surface: 24"-36"

Telescopic flue for 8'-9' ceiling is standard. Optional flue extensions for 10'-11' ceiling

For more details see the product specifications sheet found at [www.BESTRangeHoods.com](http://www.BESTRangeHoods.com)

