



Powered by the exclusive iQ Blower System™ with GPS Technology (see page 58) for the quietest, most energy efficient and fastest smoke and odor removal available in a range hood; external blowers offered separately.

Bright Halogen lighting floods the cooktop and surrounding area for clear visibility.

Mesh lined Hi-Flow baffle filters provide superior grease capture to ensure a clean, fresh kitchen.

Heat Sentry™ detects excessive heat and adjusts blower to high automatically.

Works with optional Universal Make-Up Air Dampers.

**Model Numbers:**

WPP9IQ36SB	WPP9IQT36SB	WPP9IQT48SB	WPP9E36SB	WPP9E48SB
WPP9IQ42SB	WPP9IQT42SB	WPP9IQT54SB	WPP9E42SB	WPP9E54SB



Three-speed, plus boost, electronic controls include 10-minute delay-off and filter clean reminder.



Halogen lamps brilliantly illuminate the cooktop. Three lamps on 36" and 42"; four lamps on 48" and 54" (use image G9T4 Halogen).



Hi-Flow baffle filters utilize a V-mesh & baffle design to increase airflow, decrease sound levels and provide excellent ventilation efficiency.



Optional ACR3 remote control lets the busy cook stay in control from anywhere in the kitchen.

**Hood Sizes**

<b>Internal iQ6 Blower Widths</b>	<b>36", 42"</b>
<b>Internal iQ12 Blower Widths</b>	<b>36", 42", 48", 54"</b>
<b>External Blower Widths:</b>	<b>36", 42", 48", 54"</b>
<b>Depth</b>	<b>24"</b>

**Finish**

Stocked	Brushed Stainless Steel (Grade 430)
Special Order	Not Available

**Features**

Lighting Type	Halogen, T4, G9, 25 watt
Number of Lamps	3 on 36", 42"   4 on 48", 54"
Lighting Levels	2
Lighting Lamps Included	Yes
Control Type	3-speed Plus Boost Electronic Pushbutton with Display
Control Features	Heat Sentry™, Delay Off, Filter Clean Reminder
Remote Control	Optional ACR3
Filter Type	Hi-Flow Baffle Filter
Non-ducted Capability	Yes for iQ6 models only

**Hood Blower Included (WPP9IQ)**

Internal	iQ6 <sup>1</sup>	iQ12
Max Blower CFM*	800	1500
Sones Normal Setting**	0.3	0.6

\*MAX Blower CFM indicates the performance of the hood blower in open air.  
\*\*Normal setting corresponds to speed 1.

**Hood Blower Options (WPP9E blowers sold separately)**

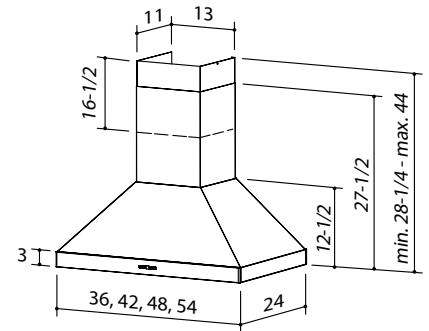
External In-line	ILB3	ILB6	ILB9	ILB11
Max CFM	300	675	900	1500
Sone levels are typically half of comparable CFM internal blowers.				
External Exterior	EB6	EB9	EB12	EB15
Max CFM	665	890	1300	1650
Sone levels are typically half of comparable CFM internal blowers.				

**Accessories**

10'-11' Flue Extension (Non-ducted)	AEWPP9SBN
Non-Duct Kit for iQ6	ANKWPP9
Non-Duct Filter	AFCROUND2
Universal MUA Damper	MD6TU, MD8TU, MD10TU (Requires Fresh Air Inlet)
Fresh Air Inlet	641FA, 643FA, 610FA

**Installation Requirements**

Amps @ 120V: Internal Blower	4.5 (Single)
Amps @ 120V: Internal Blower	8.5 (Dual)
Amps @ 120V: External Blower	7.0 Max
Electrical Connection	Direct Wire
Duct Size: Internal Blower	8" on iQ6   10" on iQ12
Duct Size: External Blower	10" (at hood)
Duct Direction	Vertical
Backdraft Damper	Included



Installation height above the cooking surface: 24"-36"

Telescopic flue for 8'-9" ceiling is standard. Optional flue extensions for 10'-11' ceiling

Upper flue can be reversed to hide louvers in some applications depending on installation heights

For more details or HVI rated performance for this model see the product specifications sheet found at [www.BESTRangeHoods.com](http://www.BESTRangeHoods.com)



If needed, ask a recommended installer to limit discharge to 300 or 400 CFM.



**Performance is a beautiful thing.**

It can be subtle or bold. It can take months or years to hone.  
Then impress you in an instant.

A great performance gives the audience exactly what they want and more than they ever imagined. And it inspires everyone and everything around it to be better.

At **BEST**, we make high performance range hoods that perform beautifully. Astonishingly quiet. Impressively effective. Remarkably efficient. And perfectly suited for the most distinguished kitchens.

Whether it's the centerpiece of the room or letting its surroundings shine, **BEST** is where high-end performance inspires.

**best**<sup>®</sup>

**PERFORMANCE THAT INSPIRES**