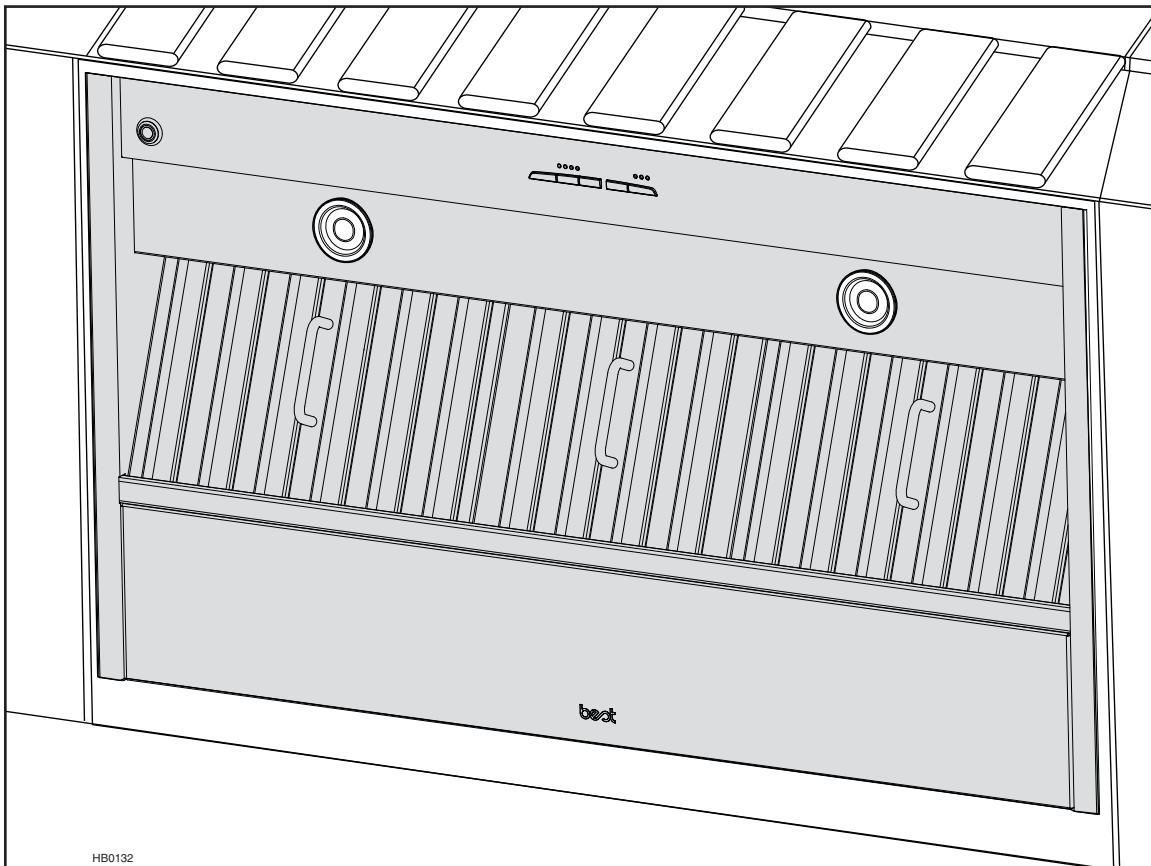


best®



CP55IQ, CP57IQ and CP57E SERIES

⚠ INTENDED FOR DOMESTIC COOKING ONLY ⚠

READ AND SAVE THESE INSTRUCTIONS

INSTALLER: LEAVE THIS MANUAL WITH HOMEOWNER.
HOMEOWNER: USE AND CARE INFORMATION ON PAGES 13 AND 14.

BEST; Hartford, Wisconsin www.BestRangeHoods.com 800-558-1711
BEST; Drummondville, QC, Canada www.BestRangeHoods.com 866-737-7770

To register your product online or for additional information visit www.BestRangeHoods.com

WARNING

TO REDUCE THE RISK OF FIRE, ELECTRIC SHOCK OR INJURY TO PERSONS, OBSERVE THE FOLLOWING:

1. Use this unit only in the manner intended by the manufacturer. If you have questions, contact the manufacturer at the address or telephone number listed in the warranty.
2. Before servicing or cleaning unit, switch power off at service panel and lock service disconnecting means to prevent power from being switched on accidentally. When the service disconnecting means cannot be locked, securely fasten a prominent warning device, such as a tag, to the service panel.
3. Installation work and electrical wiring must be done by qualified personnel in accordance with all applicable codes and standards, including fire-rated construction codes and standards.
4. Sufficient air is needed for proper combustion and exhausting of gases through the flue (chimney) of fuel burning equipment to prevent backdrafting. Follow the heating equipment manufacturer's guidelines and safety standards such as those published by the National Fire Protection Association (NFPA) and the American Society for Heating, Refrigeration and Air Conditioning Engineers (ASHRAE) and the local code authorities.
5. When cutting or drilling into wall or ceiling, do not damage electrical wiring and other hidden utilities.
6. Ducted fans must always be vented to the outdoors.
7. Do not use this unit with any solid-state speed control device.
8. To reduce the risk of fire, use only metal ductwork.
9. This unit must be grounded.
10. When applicable local regulations comprise more restrictive installation and/or certification requirements, the aforementioned requirements prevail on those of this document and the installer agrees to conform to these at his own expenses.

TO REDUCE THE RISK OF A RANGE TOP GREASE FIRE:

- a) Never leave surface units unattended at high settings. Boilovers cause smoking and greasy spillovers that may ignite. Heat oils slowly on low or medium settings.
- b) Always turn power pack ON when cooking at high heat or when flambing food (i.e.: Crêpes Suzette, Cherries Jubilee, Peppercorn Beef Flambé).
- c) Clean ventilating fans frequently. Grease should not be allowed to accumulate on fan, filters or in exhaust ducts.
- d) Use proper pan size. Always use cookware appropriate for the size of the surface element.

WARNING

TO REDUCE THE RISK OF INJURY TO PERSONS IN THE EVENT OF A RANGE TOP GREASE FIRE, OBSERVE THE FOLLOWING*:

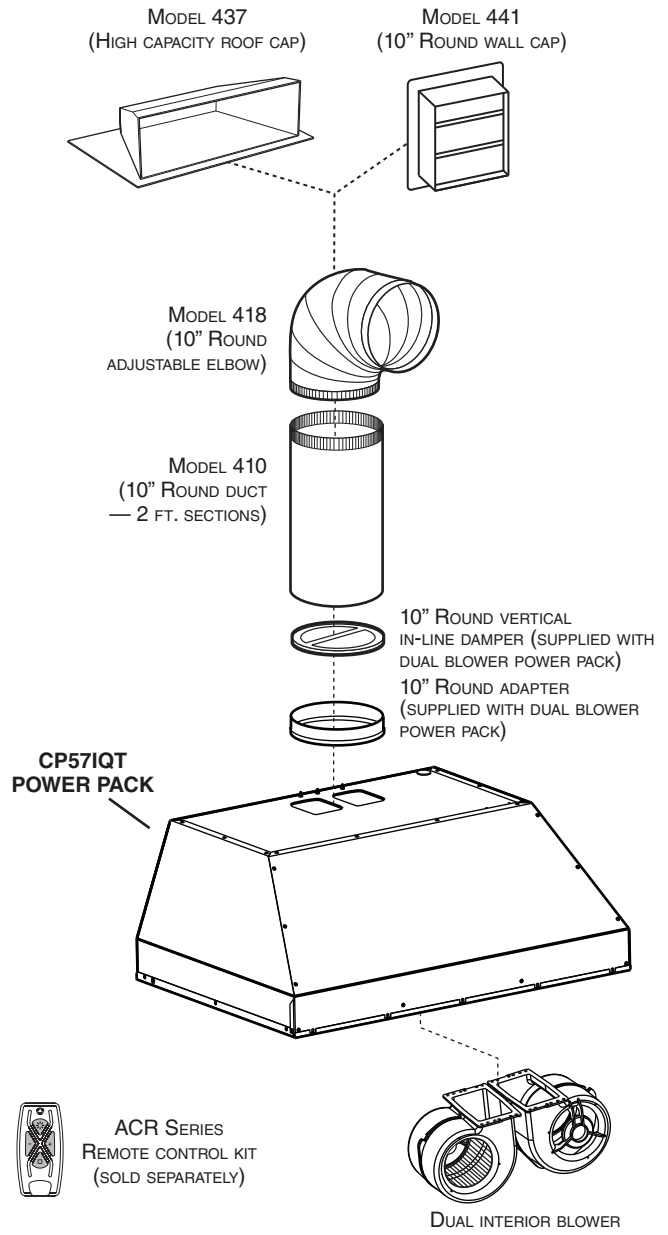
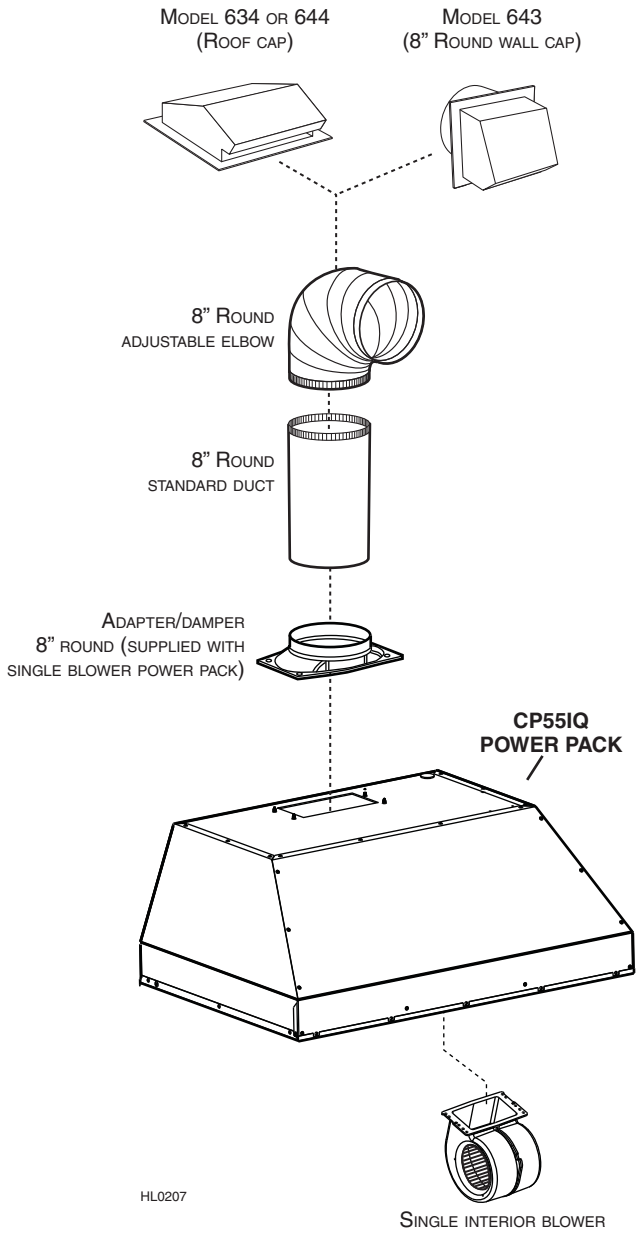
1. SMOTHER FLAMES with a close-fitting lid, cookie sheet or metal tray, then turn off the burner. BE CAREFUL TO PREVENT BURNS. IF THE FLAMES DO NOT GO OUT IMMEDIATELY, EVACUATE AND CALL THE FIRE DEPARTMENT.
2. NEVER PICK UP A FLAMING PAN — You may be burned.
3. DO NOT USE WATER, including wet dishcloths or towels — This could cause a violent steam explosion.
4. Use an extinguisher ONLY if:
 - A. You own a Class ABC extinguisher and you know how to operate it.
 - B. The fire is small and contained in the area where it started.
 - C. The fire department has been called.
 - D. You can fight the fire with your back to an exit.

* Based on "Kitchen Fire Safety Tips" published by NFPA.

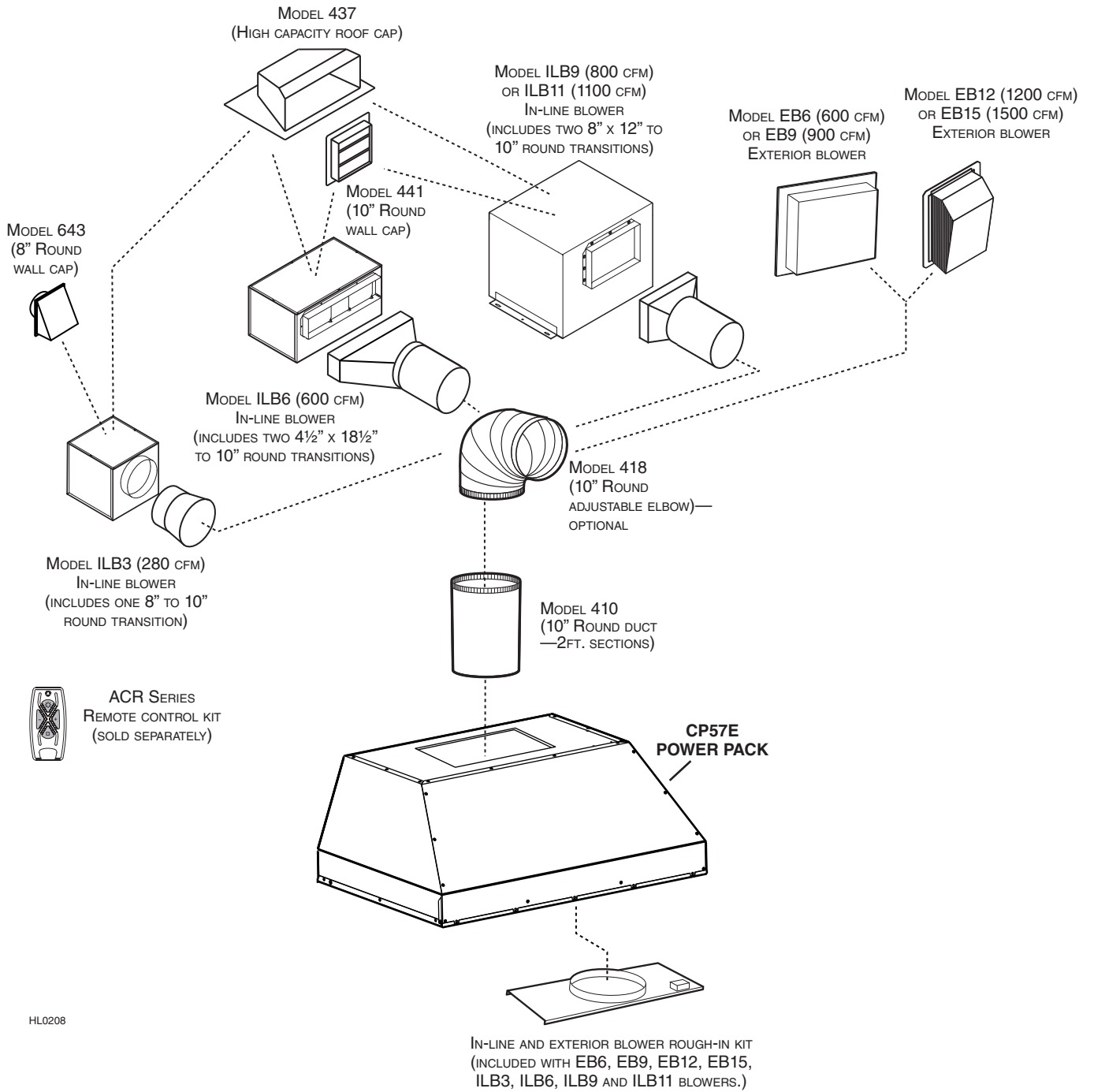
CAUTION

1. For indoor use only.
2. For general ventilating use only. Do not use to exhaust hazardous or explosive materials and vapors.
3. To avoid motor bearing damage and noisy and/or unbalanced impellers, keep drywall spray, construction dust, etc. off power unit.
4. Your power pack motor has a thermal overload which will automatically shut off the motor if it becomes overheated. The motor will restart when it cools down. If the motor continues to shut off and restart, have the power pack serviced.
5. The minimum hood distance above cooktop must not be less than 24". A maximum of 30" above cooktop is recommended for best capture of cooking impurities.
6. Two installers are recommended because of the large size and weight of this unit.
7. To reduce the risk of fire and to properly exhaust air, be sure to duct air outside — Do not exhaust air into spaces within walls or ceiling or into attics, crawl space or garage.
8. This product is equipped with a thermostat which may start blower automatically. To reduce the risk of injury and to prevent power from being switched on accidentally, switch power off at service panel and lock or tag service panel.
9. Because of the high exhausting capacity of this unit, you should make sure enough air is entering the house to replace exhausted air by opening a window close to or in the kitchen.
10. To reduce the risk of fire and electrical shock, the Best CP55IQ & CP57IQT Series models should only be installed with their own built-in blowers, and the Best CP57E Series models must only be installed with Best exterior blower models EB6, EB9, EB12 or EB15; or Best in-line blowers models ILB3, ILB6, ILB9, ILB11. Other blowers cannot be substituted.
11. Please read specification label on product for further information and requirements.
12. This power pack is equipped with a RF receiver (optional remote control sold separately). Changes or modifications not expressly approved by the party responsible for compliance could void the user's authority to operate this product. The remote control has been tested and found to comply with the limits for a Class B digital device, pursuant to part 15 of the FCC Rules and the Canadian ICES-003. These limits are designed to provide reasonable protection against harmful interference in a residential installation. The remote control generates, uses and can radiate radio frequency energy and, if not installed and used in accordance with the instructions, may cause harmful interference to radio communications. However, there is no guarantee that interference will not occur in a particular installation. If this equipment does cause harmful interference to radio or television reception, which can be determined by turning the equipment off and on, the user is encouraged to try to correct the interference by one or more of the following measures:
 - Reorient or relocate the receiving antenna
 - Increase the separation between the equipment and receiver
 - Connect the equipment into an outlet on a circuit different from that to which the receiver is connected

- CP551Q AND CP571QT POWER PACK SYSTEMS -



- CP57E POWER PACK SYSTEM -



HL0208

1. INSTALL DUCTWORK AND ELECTRICAL WIRING

1.1 NON-DUCTED INSTALLATION (CP55IQ SERIES POWER PACKS ONLY)

CP55IQ Series power packs may be non-ducted. ANKCP55 non-duct kit must be installed (sold separately).

1.2 DUCTED INSTALLATION (ALL POWER PACKS)

For a CP57E Series power pack, either an exterior blower or in-line blower must be used. The CP57E Series power pack must be installed with blower models ILB3, ILB6, ILB9, ILB11, EB6, EB9, EB12 or EB15 only. Other blowers cannot be substituted (blowers sold separately.) Plan where and how the ductwork will be installed.

If installing exterior or in-line blower, refer to instructions packed with blower and follow steps 1 up to 7, 11, 13 and up of this manual.

Install proper-sized ductwork, elbows and roof or wall cap for the type of blower you are installing. If installing CP55IQ Series power pack, use 8" round ductwork and if installing CP57IQT or CP57E Series power pack, use 10" round ductwork. Use metal foil duct tape to seal duct joints.

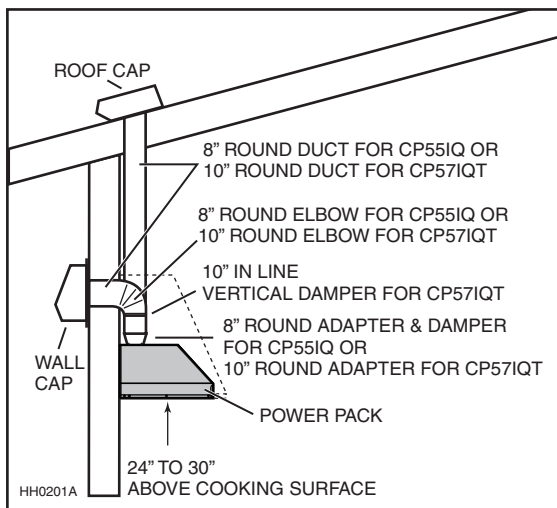
NOTE: It is recommended that there be a minimum of 6" of straight duct from the hood to an elbow for 8" duct and 12" for 10" duct.

1.3 ALL INSTALLATIONS

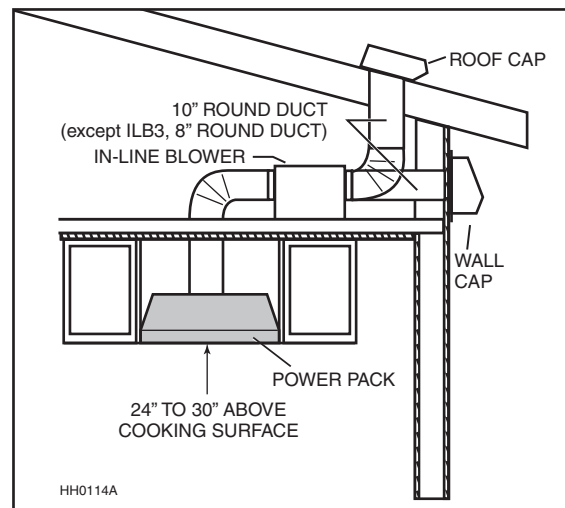
The minimum power pack distance above cooktop must not be less than 24". A maximum of 30" above cooktop is recommended for best capture of cooking impurities.

Distances over 30" are at the installer and users discretion.

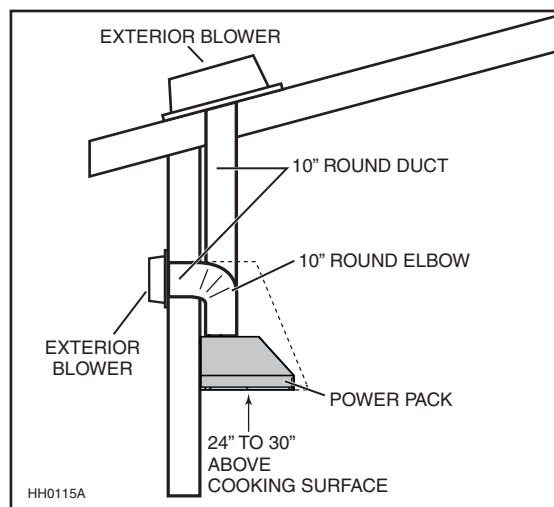
Run 3-wire power supply cable to installation location. Its length should extend at least 4 feet below the bottom of the custom hood.



**CP55IQ (SINGLE INTERNAL BLOWER)
OR CP57IQT (DUAL INTERNAL BLOWER)
TYPICAL DUCTWORK**



**CP57E WITH MODEL ILB3, ILB6, ILB9
OR ILB11 IN-LINE BLOWER TYPICAL DUCTWORK
(BLOWER LOCATION IS SHOWN FOR REFERENCE ONLY)**



CP57E EXTERIOR BLOWER TYPICAL DUCTWORK

2. PREPARE INSTALLATION

⚠ WARNING

When performing installation, servicing or cleaning the unit, it is recommended to wear safety glasses and gloves.

NOTE: Before proceeding to the installation, check the contents of the box. If items are missing or damaged, contact the manufacturer.

Make sure that the following items are included:

- Power Pack
- Accessories
 - Hybrid baffle filters with handles (3 for 36" width power pack, 4 for 42" width power pack and 5 for 48" to 66" width power packs)
 - 8" round adapter and damper (included with CP55IQ power pack series)
 - 10" round in-line vertical damper (included with CP571QQT power pack series)
 - 10" round adapter (included with CP571QQT power pack series)
 - Bag of parts including: 1 wire clamp, 2 wire connectors, 4 no. 8 x 3/8" screws, 9 no. 8 x 1/2" chrome plated screws, 10 no. 8-32 x 1/4" screws (not used with this product, please discard).

Parts sold separately:

- ACR Series remote control kit
- In-line blower assembly model ILB3, ILB6, ILB9 or ILB11.
- Exterior blower assembly model EB6, EB9, EB12 or EB15.
- Ducts, elbows, wall and roof caps. Refer to page 3 and 4 for a complete list of venting options and model numbers.
- Non-duct kit ANKCP55 Series, mandatory for non-ducted installation.

NOTE: During installation, protect countertop and/or cooktop.

3. CUSTOM HOOD PREPARATION

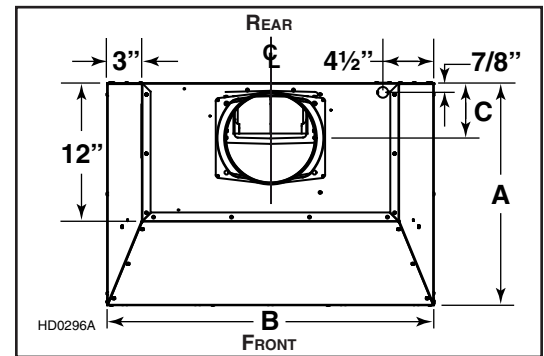
⚠ WARNING

When building a custom hood, always follow all applicable construction codes and standards.

The custom hood must be constructed to fit the size and shape of the CP55IQ, CP571QQT or the CP57E power pack.

See chart and illustration for details.

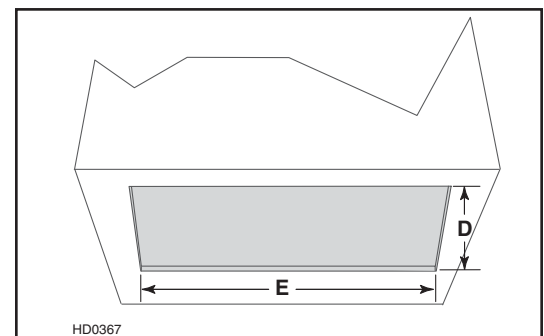
POWER PACK		TOTAL WEIGHT	POWER PACK DIMENSIONS		
MODEL	WIDTH		A*	B*	C
CP55IQ	36"	52 LB.	19 ⁵ / ₁₆ "	34 ⁷ / ₁₆ "	4 ¹ / ₄ "
	42"	62 LB.	19 ⁵ / ₁₆ "	40 ⁷ / ₁₆ "	4 ³ / ₈ "
CP571QQT	36"	62 LB.	19 ⁵ / ₁₆ "	34 ⁷ / ₁₆ "	5 ³ / ₈ "
	48"	72 LB.	19 ⁵ / ₁₆ "	46 ⁷ / ₁₆ "	5 ³ / ₈ "
	48"	72 LB.	22 ⁹ / ₁₆ "	46 ⁷ / ₁₆ "	5 ³ / ₈ "
	54"	82 LB.	22 ⁹ / ₁₆ "	52 ⁷ / ₁₆ "	5 ³ / ₈ "
	60"	85 LB.	22 ⁹ / ₁₆ "	58 ⁷ / ₁₆ "	5 ³ / ₈ "
CP57E	36"	40 LB.	22 ⁹ / ₁₆ "	34 ⁷ / ₁₆ "	6"
	48"	53 LB.	22 ⁹ / ₁₆ "	46 ⁷ / ₁₆ "	6"
	60"	66 LB.	22 ⁹ / ₁₆ "	58 ⁷ / ₁₆ "	6"



* Dimensions **A** and **B** include rivets head.

To minimize the gap around the power pack, take actual width and depth measurements of power pack and add 1/16" to get **D** and **E** measurements. Cut the hole in the bottom of the cabinet according to dimensions. See chart and illustration for details.

POWER PACK		CUTOUT DIMENSIONS	
MODEL	WIDTH	D	E
CP55IQ	36"	19 ³ / ₈ "	34 ¹ / ₂ "
	42"	19 ³ / ₈ "	40 ¹ / ₂ "
CP571QQT	36"	19 ³ / ₈ "	34 ¹ / ₂ "
	48"	19 ³ / ₈ "	46 ¹ / ₂ "
	48"	22 ⁵ / ₈ "	46 ¹ / ₂ "
	54"	22 ⁵ / ₈ "	52 ¹ / ₂ "
	60"	22 ⁵ / ₈ "	58 ¹ / ₂ "
CP57E	36"	22 ⁵ / ₈ "	34 ¹ / ₂ "
	48"	22 ⁵ / ₈ "	46 ¹ / ₂ "
	60"	22 ⁵ / ₈ "	58 ¹ / ₂ "



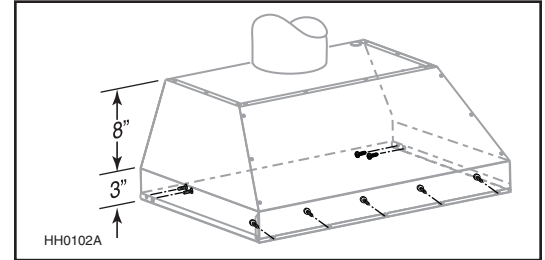
4. MOUNT CUSTOM HOOD INTERNAL FRAMEWORK

⚠ WARNING

The wood hood must be positively secured to wall studs or other wooden framework behind the drywall. Make sure it is capable of supporting its own weight and the weight of the CP55IQ, CP571QT or CP57E. Failure to do so may cause personal injury or damage to countertop or cooktop.

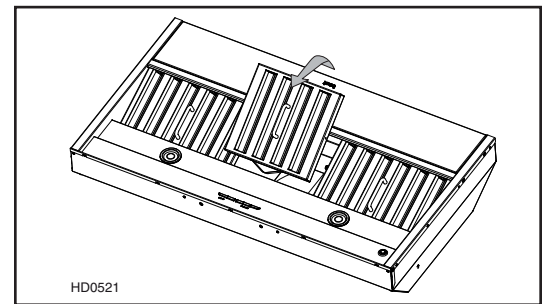
The CP55IQ, CP571QT and CP57E power pack is supported by the custom hood internal framework with screws provided in parts bag.

Since the CP55IQ, CP571QT and CP57E power pack mounting holes are located in front and rear sides (see illustration at right), plan to install wood frame at front and sides for support.



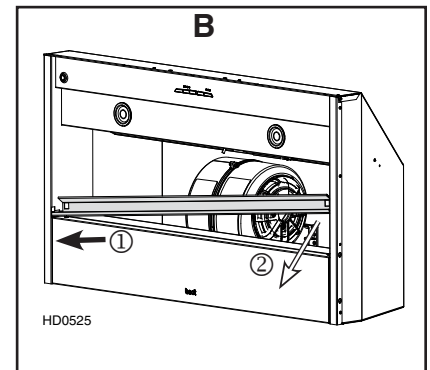
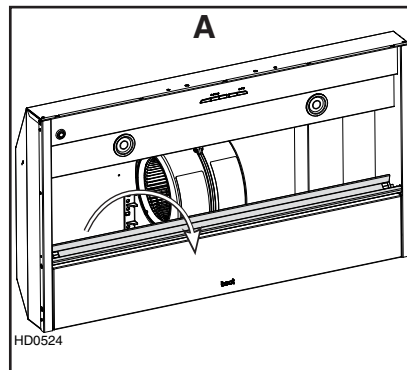
5. REMOVE HYBRID BAFFLE FILTERS

Remove tape on filters. Remove filters from power pack and set aside. It is recommended to start with the center one(s).



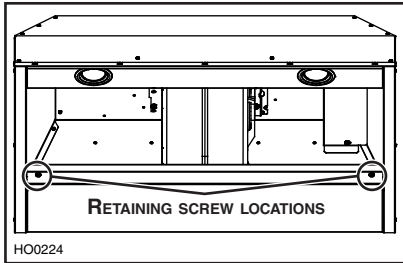
6. REMOVE GREASE DRIP RAIL

- A. Lift grease drip rail to disengage it from the bottom panel.
- B. Slide grease rail all the way to the left or right (①) and lift the opposite end to disengage the other end from the bottom panel (②). Remove it from the power pack and set aside for later use.

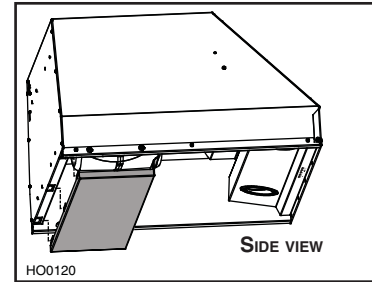


7. REMOVE BOTTOM PANEL

Using a Phillips screwdriver, remove both bottom panel retaining screws and set aside.

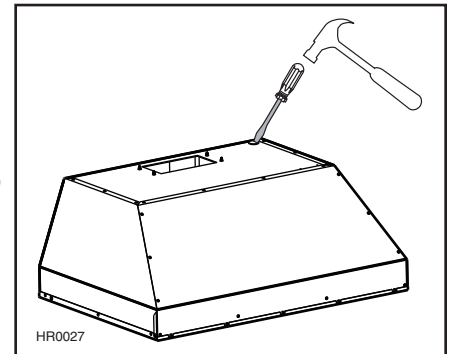


Disassemble bottom panel from power pack and set aside.



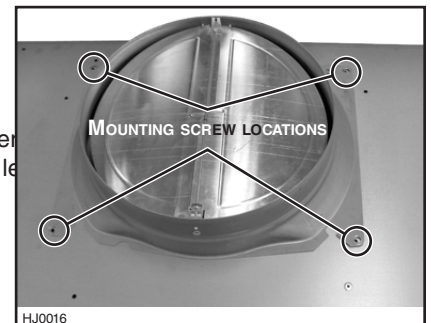
8. REMOVE KNOCK-OUT OPENING (CP55IQ AND CP57IQT SERIES ONLY)

From inside the power pack, remove the wiring box cover by removing 2 retaining screws and set aside. Punch out the electrical knockout hole on top of the power pack. Install the wire clamp (included in parts bag).



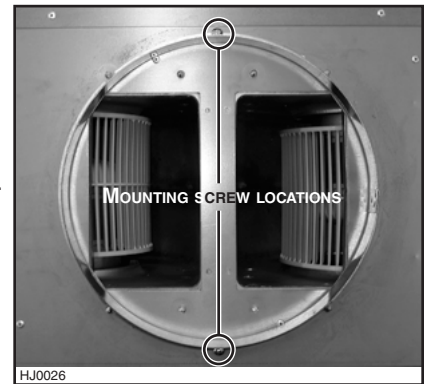
9. INSTALL THE 8" ADAPTER/DAMPER (CP55IQ SERIES ONLY)

Using 4 no. 8 x 3/8" screws from parts bag, assemble the adapter/damper on the top of the power dampers, remove shipping tape if present. Seal all joints with metal foil duct tape to eliminate air leakage.



10. INSTALL THE 10" ADAPTER (CP57IQT SERIES ONLY)

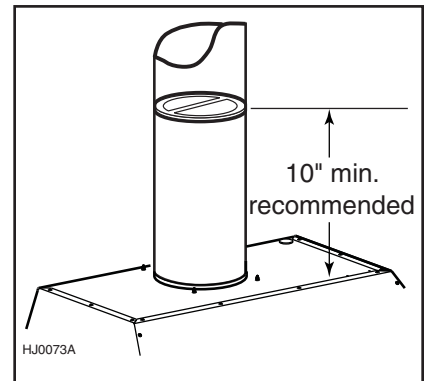
Using 2 no. 8 x 3/8" screws from parts bag, assemble the adapter on the top of the power pack. Seal all joints with metal foil duct tape to eliminate air leaks.



11. INSTALL THE 10" IN-LINE DAMPER (CP57IQT AND CP57E SERIES, DUCTED INSTALLATION ONLY)

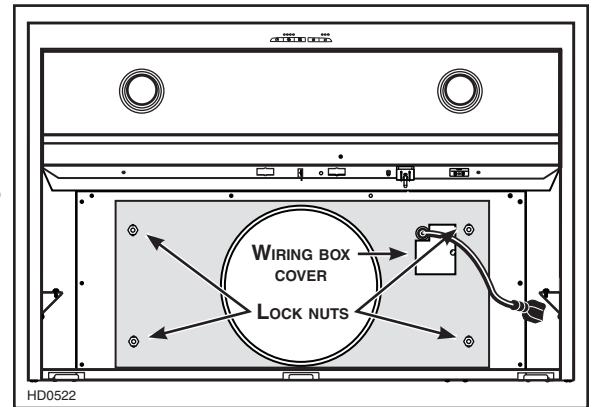
NOTE: For a non-ducted installation, do not install the 10" in-line damper.

Install 10" in-line damper inside the vertical ductwork that will be attached to power pack. Do not install in a horizontal ductwork or it will not open and close properly. Remove shipping tape if present. Secure the damper to the duct with 3 no. 8 sheet metal screws (not provided). Ensure damper opens and closes freely. Seal all joints with metal foil duct tape to eliminate air leaks.



12. INSTALL THE ROUGH-IN PLATE FOR EXTERNAL BLOWER (CP57E SERIES ONLY)

Refer to the instructions included with the selected blower/rough-in kit (sold separately) for details on installing the rough-in plate. Install the rough-in plate so that the wiring box is located on the right side when facing the hood, as specified on the blower housing label.



13. CONNECT WIRING (ALL BLOWERS)

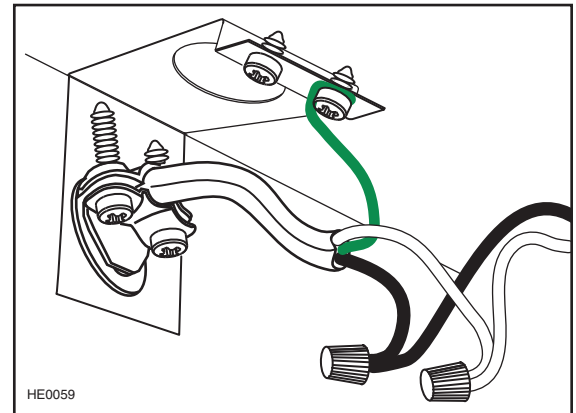
⚠ WARNING

Risk of electric shock. Electrical wiring must be done by qualified personnel in accordance with all applicable codes and standards. Before connecting wires, switch power off at service panel and lock service disconnecting means to prevent power from being switched on accidentally.

Position the power pack below the installed custom hood.

INTERNAL BLOWERS: Insert the house wiring cable through the wire clamp previously installed in step 8. Tighten the wire clamp to secure the cable. Connect cable into wiring box using wire connectors. Connect BLACK to BLACK, WHITE to WHITE and GREEN or bare wire under GREEN ground screw. **DO NOT FORGET TO CONNECT THE GROUND.** Reinstall wiring box cover.

IN-LINE OR EXTERIOR BLOWERS: See instructions included with blower.



14. INSTALL POWER PACK

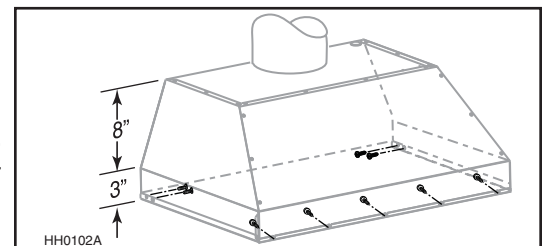
MODEL CP551Q ONLY: If the model CP551Q is to be installed with a non-duct kit, install a 8" to 7" reducer (included in non-duct kit) prior to install the power pack in its custom hood.

CAUTION

Take care not to kink ducting when installing the power pack.

Using provided no. 8 x 1/2" chrome plated screws, install the power pack inside the custom hood. Start with 2 screws on front corners, then use 4 screws for sides and use the remaining screws to finalize securing the front power pack. (See figure at right for mounting screw specific locations.)

Make sure the adapter/damper (or the adapter) enters the ducting. When there is access to the top of the power pack, seal connections with metal foil duct tape.

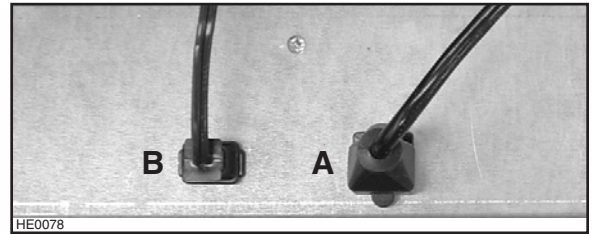


15. PERFORM THE EXTERNAL BLOWER CONNECTIONS (CP57E SERIES ONLY)

⚠ WARNING

Do not plug the two cords together.

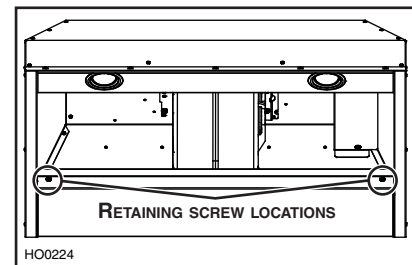
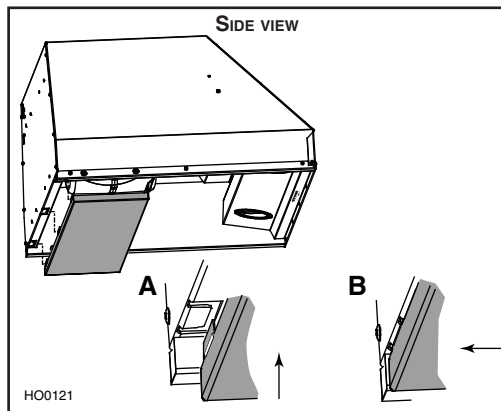
To install the blower see instructions included with the blower. Plug the 3-prong plug cord from rough-in plate to the 3-prong male connector inside the power pack (A) and the 2-prong male connector cord from rough-in plate to the 2-prong plug inside the power pack (B).



16. REINSTALL BOTTOM PANEL

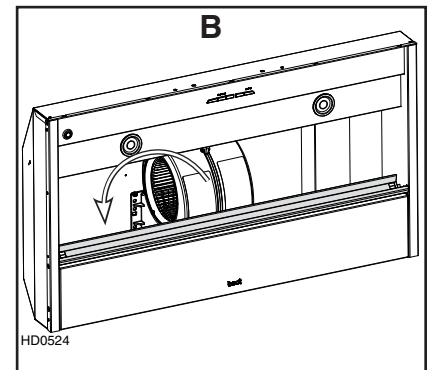
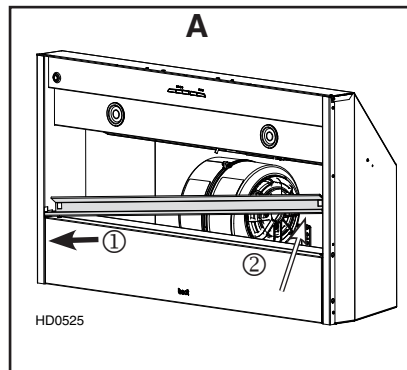
Lift the bottom panel and engage the power pack metal tabs in bottom panel slots, as shown in details A and B below.

Secure the bottom panel to the power pack using its screws previously removed in step 7.



17. REINSTALL GREASE DRIP RAIL

- A. Insert one end of grease rail in power pack side (①) while lifting the other end over the bottom panel edge (②).
- B. Center the grease drip rail over the bottom panel edge and flip it to snap in place.



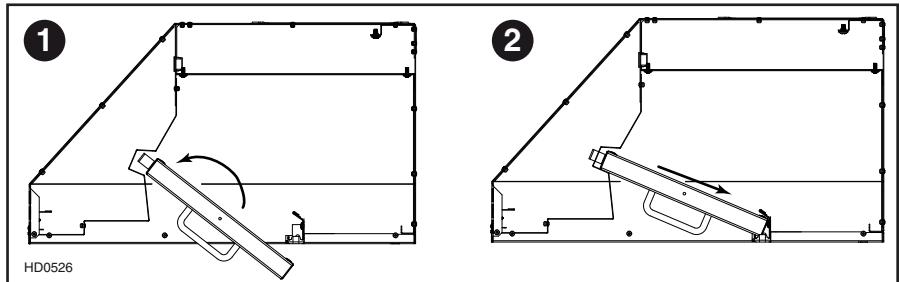
18. REINSTALL HYBRID BAFFLE FILTERS

CAUTION

Remove protective plastic film covering hybrid baffle filters before installing them.

It is recommended to install side filters first and finish with center one(s).

1. Insert one end of hybrid baffle filter into the front channel of the power pack.
2. Raise the other end toward the inside of power pack and insert in the grease drip rail of the power pack.



19. CALIBRATE IQ BLOWER SYSTEM™ (CP55IQ & CP57IQT SERIES ONLY)

NOTE: Calibration is for ducted installations only. Do not calibrate non-ducted installations.

After the power pack is installed and wired, engage the calibration process (our Guaranteed Performance System Technology to ensure full-rated airflow is being delivered). Prior to calibration, ensure that all filters and duct system are installed.

CALIBRATION PROCESS

Hold the calibration button for 3 seconds; calibration button will light up and stay on for up to 13 minutes. The blower will start and begin the calibration process. When calibration is complete, one of two things will occur:

- A. The blower turns off and calibration button light stays on = Successful calibration. Press the button to turn off the LED.

NOTE: The LED will also turn off if you select any blower speed on the control.

- B. The blower turns off and calibration button light blinks continuously = Too much restriction in the ductwork is preventing the IQ Blower System™ from achieving the rated airflow. The blower is automatically set to maximum intensity.

NOTE: Common items that cause restrictions: restricted damper flap (backdraft damper, wall cap, roof cap), too many elbows, duct size less than 80% of hood outlet, poor transition, use of flex ducting and/or crushed ducting.

Three options are available if your power pack system has too much restriction:

1. Accept airflow as is. Press the calibration button to accept airflow as is. The IQ Blower System™ is now configured to its highest possible performance. The blinking calibration light goes out.

NOTE: The LED will also turn off if you select any blower speed on the control.

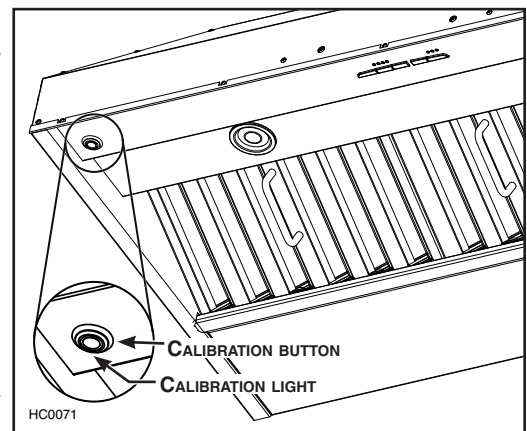
2. Correct duct restriction, clear the original calibration data, and repeat the calibration process.

a. Correct the duct restriction.

b. Clear the original calibration data by holding calibration button for 10 seconds. The light will blink 3 times to confirm and the blower configuration will go back to default settings.

c. Repeat calibration process from the beginning.

3. Clear calibration data to reset power pack to default factory settings and achieve standard high pressure blower performance by holding calibration button for 10 seconds. The light will blink 3 times to confirm and the blower configuration will go back to default settings.



20. LIGHTING

This power pack is equipped with LED lamps which require no maintenance.

WARNING

Do not touch lamps during or soon after operation. Burns may occur.

21. USE AND CARE

Hybrid Baffle Filters

The hybrid baffle filters should be cleaned frequently. Use a warm detergent solution. Wash more often if your cooking style generates greater grease — like frying foods or wok cooking.

Remove hybrid baffle filters by pushing them towards the back of power pack and rotating filters downward. Baffle filters are dishwasher safe. Allow filters to dry completely before reinstalling them in the power pack.

Clean all-metal filters in the dishwasher using a non-phosphate detergent. Discoloration of the filter may occur if using phosphate detergent or as a result of local water conditions — but this will not affect filter performance. This discoloration is not covered by the warranty.

Grease Drip Rail

The grease drip rail should be cleaned frequently. Remove it from the power pack (see step 6 on page 7) and use a warm detergent solution. As with the baffle filters, wash more often if your cooking style generates greater grease — like frying foods or wok cooking. Allow grease drip rail to dry completely before reinstalling it in the power pack.

Interior Blower(s) Cleaning

Remove the filters in order to access the blower(s). Vacuum blower(s) to clean. Do not immerse in water.

Power pack cleaning

Stainless steel cleaning:

Do:	Don't:
<ul style="list-style-type: none">• Regularly wash with clean cloth or rag soaked with warm water and mild soap or liquid dish detergent.• Always clean in the direction of original polish lines.• Always rinse well with clear water (2 or 3 times) after cleaning. Wipe dry completely.• You may also use a specialized household stainless steel cleaner.	<ul style="list-style-type: none">• Use any steel or stainless steel wool or any other scrapers to remove stubborn dirt.• Use any harsh or abrasive cleansers.• Allow dirt to accumulate.• Let plaster dust or any other construction residues reach the power pack. During construction/renovation, cover the power pack to make sure no dust sticks to stainless steel surface.

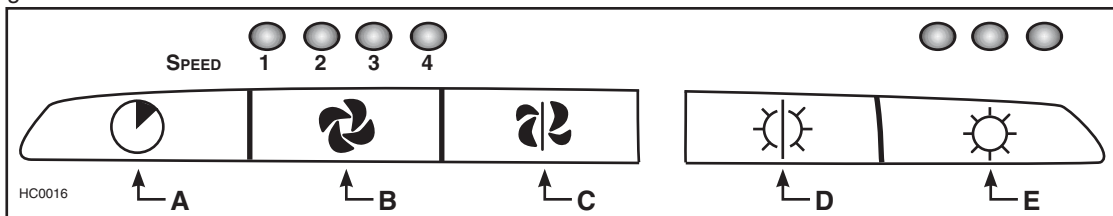
Avoid when choosing a detergent:

- Any cleaners that contain **bleach** will attack stainless steel.
- Any products containing: **chloride, fluoride, iodide, bromide** will deteriorate surfaces rapidly.
- Any combustible products used for cleaning such as **acetone, alcohol, ether, benzol**, etc., are highly explosive and should never be used close to a range.

22. OPERATION

Always turn your blower on before you begin cooking to establish an airflow in the kitchen. Let the blower run for a few minutes to clear the air after you turn off the range.

- A) Blower delay-off button
- B) ON blower/Speed control button
- C) OFF blower/
Filter maintenance button
- D) OFF lighting
- E) ON lighting



A. BLOWER DELAY-OFF BUTTON:

When blower is on, press the delay-off button to activate the delay-off function. The corresponding speed indicator LED will start flashing to indicate this function is activated. The fan will continue to operate for 10 minutes and will stop automatically. To cancel the delay-off function, press the blower delay-off button once again; the blower will then work in normal mode.

NOTE: The blower speed can be increased—or decreased—during delay-off mode without starting another 10-minute cycle.

B. ON BLOWER/SPEED CONTROL BUTTON:

Press this button to turn on the blower at the last selected speed. To change the blower speed, press the button again until the desired speed is obtained. Press and hold this button for 2 seconds to decrease the speed level down by one increment. Possible decreases are then: 4 to 3; 3 to 2; 2 to 1 and 1 to OFF.

NOTES: 1. Each time you press the speed control button, the speed changes by increments of 1 (e.g.: speed 1 to speed 2, to speed 3, and then speed 4). From the fourth speed, the speed goes down to level 1.

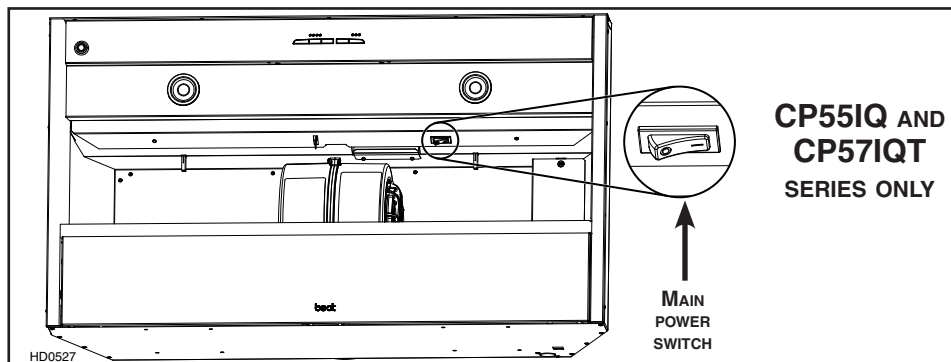
2. The last speed used is kept in memory so that when the unit is turned on, it will return to the last setting except the fourth, the next time the blower will be turned on, it will return to speed 3. The memorized speed level is also synced with the optional remote control.

HEAT SENTRY™

The power pack is equipped with a protective device that activates when excessive heat is detected inside the power pack. During the Heat Sentry activation, this device takes control of the blower and set it on speed 4; the speed 4 button LED will flash. The blower will remain on speed 4 until the heat is back to normal, it then returns to the speed previously selected.

⚠ WARNING

The HEAT SENTRY can start the blower during a range top fire or other excessive heat situations even if the power pack is turned off. In this case, it is impossible to turn the blower OFF with blower button. If you must stop the blower on CP55IQ/CP571QT series models: set the main power switch located behind the baffle filters in OFF position, if it is possible to do safely (see illustration below). For CP57E series models: do it from the main electrical panel.



C. OFF BLOWER/FILTER MAINTENANCE BUTTON:

Press this button to turn off the blower. Pressing this button also cancels the delay-off function (if activated).

NOTE: After 30 hours of operation, the 4 blower speed lights will flash 30 seconds to indicate the filters need to be cleaned in order to maintain efficient power pack operation. Pressing this button will reset the code to indicate that maintenance has been completed.

D. OFF LIGHTING:

Press this button to turn the lamps off.

E. ON LIGHTING:

Press this button to turn the lamps on; all 3 control LED will light on.

NOTE: There is only one light setting.

REMOTE CONTROL:

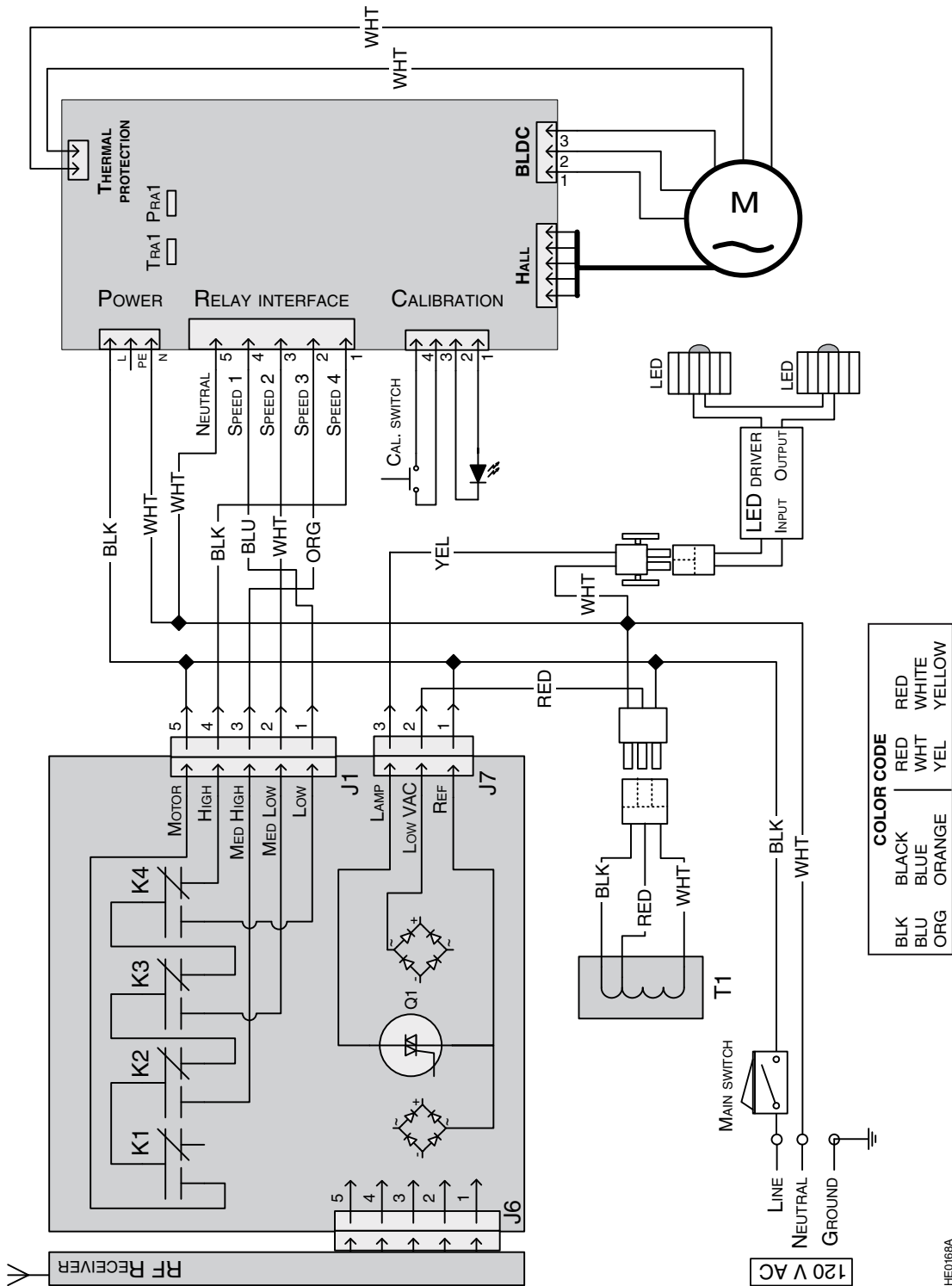
An optional ACR Series remote control (purchase separately) can be used to operate the power pack.

23. WIRING DIAGRAMS

⚠ WARNING

Risk of electrical shock. Electrical wiring must be done by qualified personnel in accordance with all applicable codes and standards. Before connecting wires, switch power off at service panel and lock service disconnecting means to prevent power from being switched on accidentally.

Best CP55IQ Series (single blower)



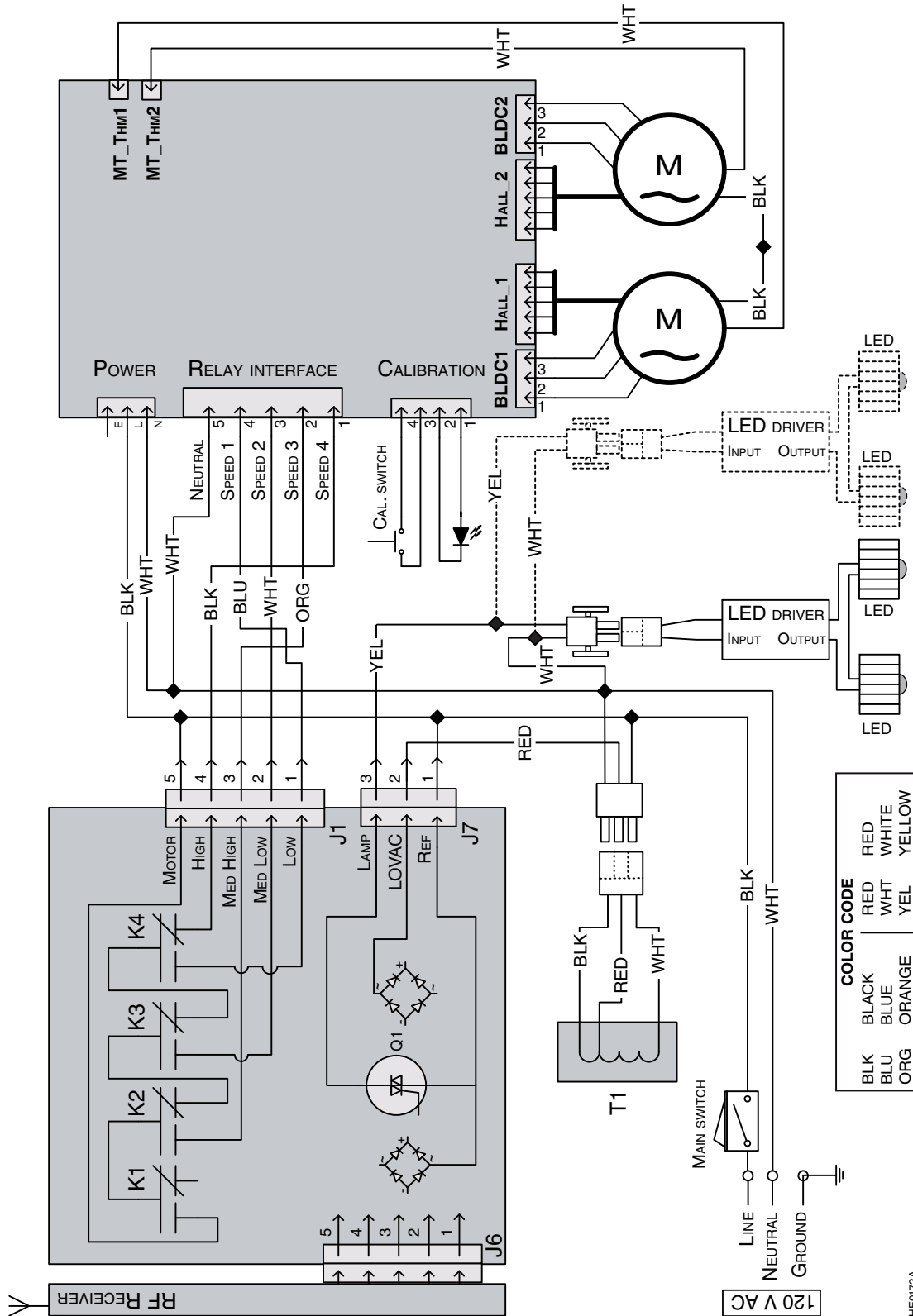
HE0168A

23. WIRING DIAGRAMS (CONT'D)

⚠ WARNING

Risk of electrical shock. Electrical wiring must be done by qualified personnel in accordance with all applicable codes and standards. Before connecting wires, switch power off at service panel and lock service disconnecting means to prevent power from being switched on accidentally.

Best CP571QT Series (dual blower)



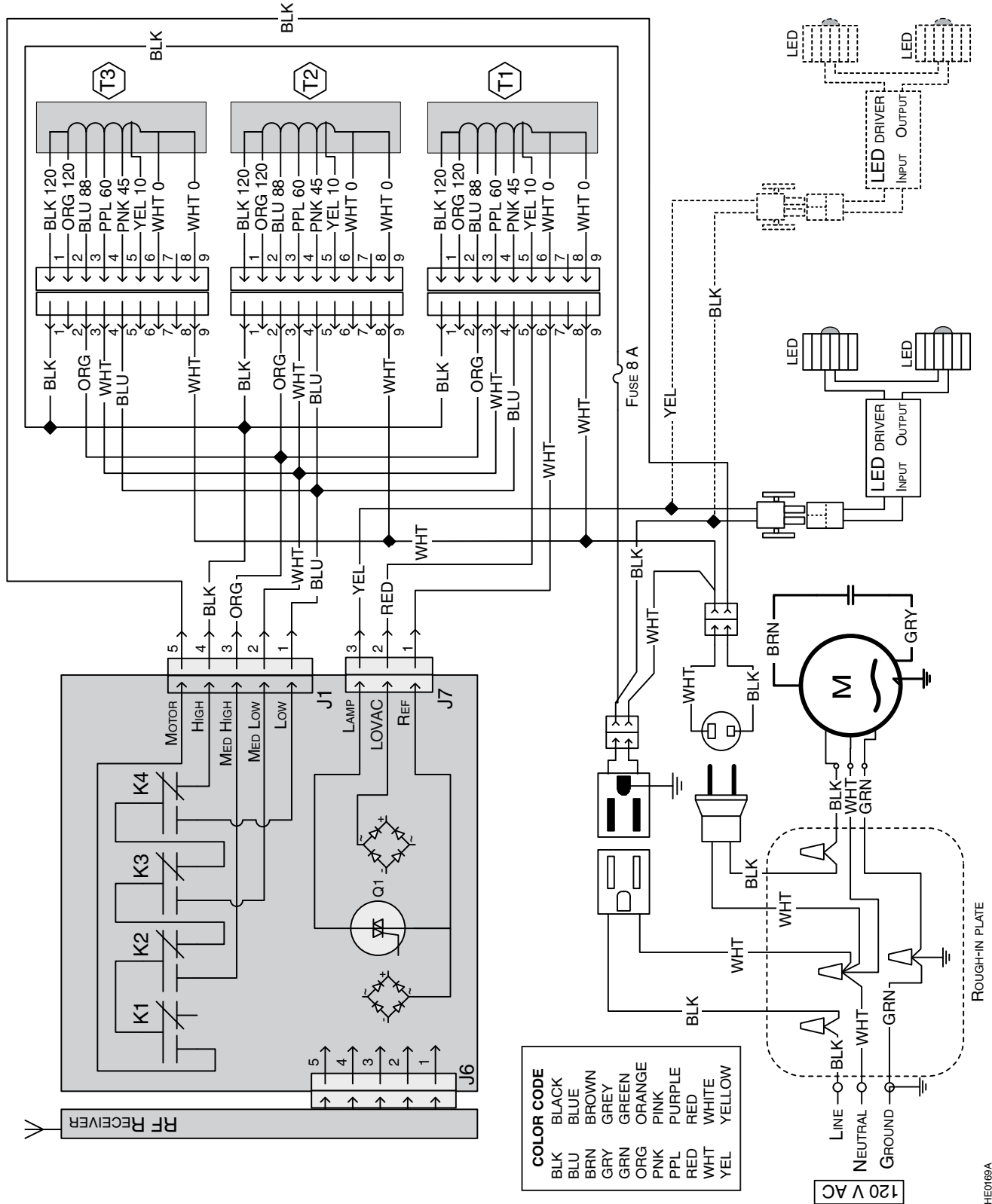
HE0172A

23. WIRING DIAGRAMS (CONT'D)

⚠ WARNING

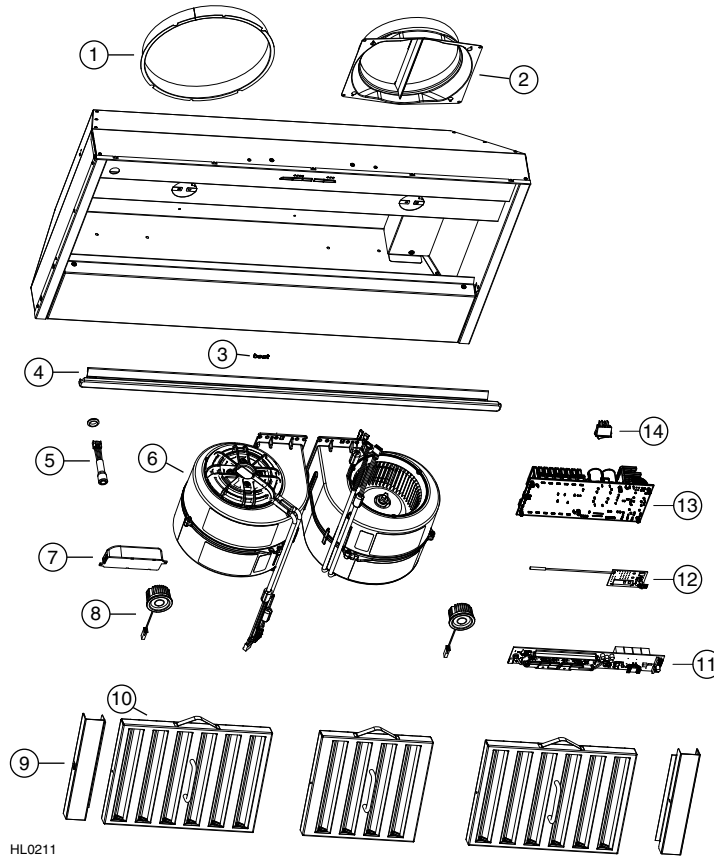
Risk of electrical shock. Electrical wiring must be done by qualified personnel in accordance with all applicable codes and standards. Before connecting wires, switch power off at service panel and lock service disconnecting means to prevent power from being switched on accidentally.

Best CP57E Series



24. SERVICE PARTS

Best CP55IQ & CP571QT Series



HL0211

REPLACEMENT PARTS AND REPAIRS

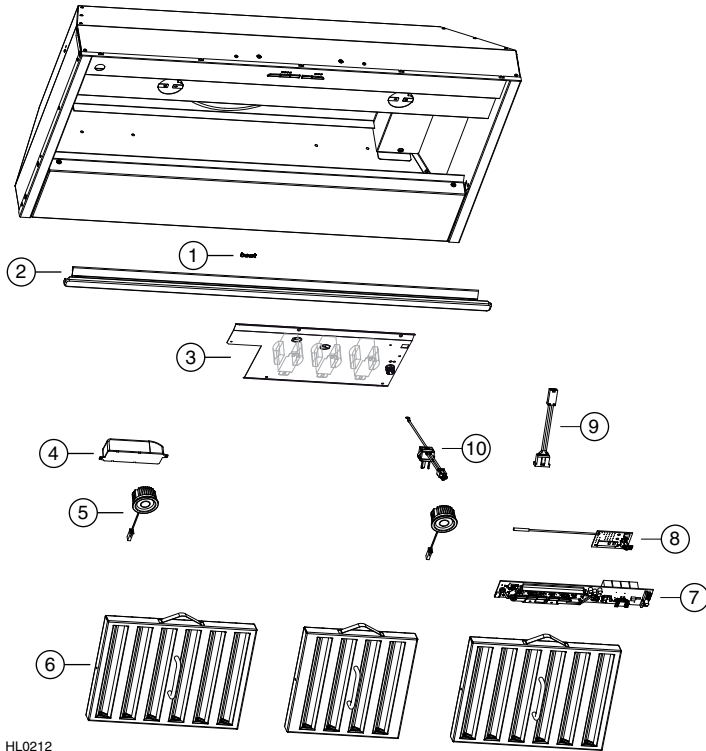
In order to ensure your unit remains in good working condition, you must use Broan-NuTone genuine replacement parts only. Broan-NuTone genuine replacement parts are specially designed for each unit and are manufactured to comply with all the applicable certification standards and maintain a high standard of safety. Any third party replacement part used may cause serious damage and drastically reduce the performance level of your unit, which will result in premature failing. Broan-NuTone recommends to contact a certified service depot for all replacement parts and repairs.

KEY NO.	PART NO.	DESCRIPTION	QTY. (POWER PACK WIDTH)					
			36"	42"	48"	54"	60"	66"
1	SV08541	ADAPTER 10" ROUND (FOR CP571QT SERIES)	1	-	1	1	1	1
2	SV08543	ADAPTER/DAMPER 8" ROUND (FOR CP55IQ SERIES)	1	1	-	-	-	-
3	SV05869	BEST LOGO	1	1	1	1	1	1
4	SV17871	GREASE RAIL 36"	1	-	-	-	-	-
	SV17872	GREASE RAIL 42"	-	1	-	-	-	-
	SV17873	GREASE RAIL 48"	-	-	1	-	-	-
	SV17874	GREASE RAIL 54"	-	-	-	1	-	-
	SV17875	GREASE RAIL 60"	-	-	-	-	1	-
	SV17876	GREASE RAIL 66"	-	-	-	-	-	1
5	SV20817	CALIBRATION BUTTON	1	1	1	1	1	1
6	S97018985	BLDC BLOWER (FOR CP55IQ SERIES)	1	1	-	-	-	-
		BLDC BLOWER (FOR CP571QT SERIES)	2	-	2	2	2	2
7	SV21414	LED DRIVER AND LED LIGHT HARNESS EXTENSION	1	1	1	2	2	2
8	SV21413	LED MODULE	2	2	2	4	4	4
9	SV61691	FILTER FILLER (PAIR)	-	1	-	-	-	1
10	SV61639	HYBRID BAFFLE FILTER WITH MICROMESH + HANDLE 8.84" x 8.61" x 1"	1	4	5	3	1	-
	SV61640	HYBRID BAFFLE FILTER WITH MICROMESH + HANDLE 11.84" x 8.61" x 1"	2	-	-	2	4	5
11	SV21411	CONTROL INTERFACE PCB FOR INTERNAL BLOWER	1	1	1	1	1	1
12	SV20816	REMOTE CONTROL PCB	1	1	1	1	1	1
13	SV21416	ELECTRONIC DRIVE (FOR CP55IQ SERIES)	1	1	-	-	-	-
	SV20818	ELECTRONIC DRIVE (FOR CP571QT SERIES)	1	-	1	1	1	1
14	SV08548	BLACK ROCKER SWITCH	1	1	1	1	1	1
*	SV21418	ELECTRICAL HARNESS (FOR CP55IQ SERIES)	1	1	-	-	-	-
*	SV20824	ELECTRICAL HARNESS (FOR CP571QT SERIES)	1	-	1	1	1	1
*	SV09022	TRANSFORMER 120 VAC, 9 VOLTS DC	1	1	1	1	1	1
*	SV08542	10" ROUND VERTICAL IN-LINE DAMPER (FOR CP571QT SERIES)	1	-	1	1	1	1
*	SV21422	INSTALLATION GUIDE	1	1	1	1	1	1
*	SV08545	PARTS BAG: 2 WIRE CONNECTORS, 1 WIRE CLAMP, 4 SCREWS NO. 8 X 3/8" 9 CHROME PLATED SCREWS NO. 8 X 1/2", 10 MECHANICAL SCREWS NO. 8-32 X 1/4"	1	1	1	1	1	1

* NOT SHOWN.

24. SERVICE PARTS (CONT'D)

Best CP57E Series



HL0212

REPLACEMENT PARTS AND REPAIRS

In order to ensure your unit remains in good working condition, you must use Broan-NuTone genuine replacement parts only. Broan-NuTone genuine replacement parts are specially designed for each unit and are manufactured to comply with all the applicable certification standards and maintain a high standard of safety. Any third party replacement part used may cause serious damage and drastically reduce the performance level of your unit, which will result in premature failing. Broan-NuTone recommends to contact a certified service depot for all replacement parts and repairs.

KEY NO.	PART NO.	DESCRIPTION	QTY. (POWER PACK WIDTH)		
			36"	48"	60"
1	SV05869	BEST LOGO	1	1	1
2	SV17871	GREASE RAIL 36"	1	-	-
	SV17873	GREASE RAIL 48"	-	1	-
	SV17875	GREASE RAIL 60"	-	-	1
3	SV61659	AUTOTRANSFORMER AND FUSE KIT (INCLUDING METAL SUPPORT)	1	1	1
4	SV21414	LED DRIVER AND LED LIGHT HARNESS EXTENSION	1	1	2
5	SV21413	LED MODULE	2	2	4
6	SV61639	HYBRID BAFFLE FILTER WITH MICROMESH + HANDLE 8.84" x 8.61" x 1"	1	5	1
	SV61640	HYBRID BAFFLE FILTER WITH MICROMESH + HANDLE 11.84" x 8.61" x 1"	2	-	4
7	SV21412	CONTROL INTERFACE PCB FOR EXTERNAL BLOWER	1	1	1
8	SV20816	REMOTE CONTROL PCB	1	1	1
9	SV13923	FEMALE CONNECTOR	1	1	1
10	SV13924	MALE CONNECTOR	1	1	1
*	SV20825	ELECTRICAL HARNESS (FOR CP57E SERIES)	1	1	1
*	SV21422	INSTALLATION GUIDE	1	1	1
*	SV08545	PARTS BAG: 2 WIRE CONNECTORS, 1 WIRE CLAMP, 4 SCREWS NO. 8 x 3/8", 9 CHROME PLATED SCREWS NO. 8 x 1/2", 10 MECHANICAL SCREWS NO. 8-32 x 1/4"	1	1	1

* NOT SHOWN.

25. WARRANTY

ONE-YEAR LIMITED WARRANTY

Broan-NuTone LLC ("Broan-NuTone") warrants to the original consumer purchaser of its products that such products will be free from defects in materials or workmanship for a period of one year from the date of original purchase. THERE ARE NO OTHER WARRANTIES, EXPRESS OR IMPLIED, INCLUDING, BUT NOT LIMITED TO, IMPLIED WARRANTIES OF MERCHANTABILITY OR FITNESS FOR A PARTICULAR PURPOSE.

During this one-year period, Broan-NuTone will, at its option, repair or replace, without charge, any product or part which is found to be defective under normal use and service.

THIS WARRANTY DOES NOT EXTEND TO FLUORESCENT LAMP STARTERS, TUBES AND BULBS, FUSES, FILTERS, DUCTS, ROOF CAPS, WALL CAPS AND OTHER ACCESSORIES FOR DUCTING. This warranty does not cover (a) normal maintenance and service or (b) any products or parts which have been subject to misuse, negligence, accident, improper maintenance or repair (other than by Broan-NuTone), faulty installation or installation contrary to recommended installation instructions.

The duration of any implied warranty is limited to the one-year period as specified for the express warranty. Some states or provinces do not allow limitation on how long an implied warranty lasts, so the above limitation may not apply to you.

BROAN-NUTONE'S OBLIGATION TO REPAIR OR REPLACE, AT BROAN-NUTONE'S OPTION, SHALL BE THE PURCHASER'S SOLE AND EXCLUSIVE REMEDY UNDER THIS WARRANTY. BROAN-NUTONE SHALL NOT BE LIABLE FOR INCIDENTAL, CONSEQUENTIAL OR SPECIAL DAMAGES ARISING OUT OF OR IN CONNECTION WITH PRODUCT USE OR PERFORMANCE. Some states or provinces do not allow the exclusion or limitation of incidental or consequential damages, so the above limitation or exclusion may not apply to you.

This warranty gives you specific legal rights, and you may also have other rights, which vary from state to state or province to another. Any modification performed on this product without the authorization of Broan-NuTone will void this warranty. This warranty supersedes all prior warranties.

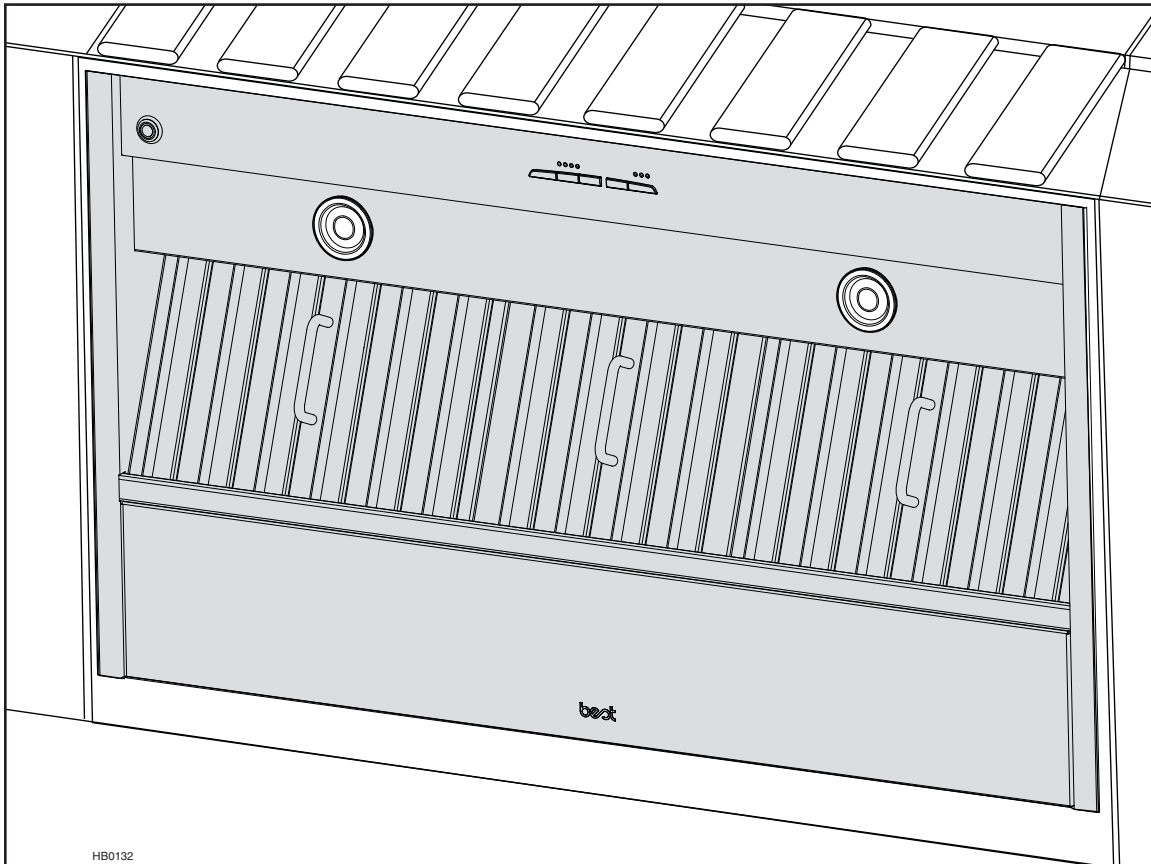
To qualify for warranty service, you must (a) notify Broan-NuTone at the address or telephone number stated below, (b) give the model number and part identification and (c) describe the nature of any defect in the product or part. At the time of requesting warranty service, you must present evidence of the original purchase date.

Best®, 926 W. State Street, Hartford, WI 53027 (1-800-637-1453)

Best®, 550 Lemire Blvd., Drummondville, QC, Canada (1-866-737-7770)

www.bestrangehoods.com

best®



SÉRIES CP55IQ, CP57IQT ET CP57E

⚠ CONÇUES POUR USAGE DOMESTIQUE SEULEMENT ⚠

LIRE ET CONSERVER CES DIRECTIVES

INSTALLATEUR : LAISSER CE GUIDE AU PROPRIÉTAIRE.
PROPRIÉTAIRE : DIRECTIVES D'UTILISATION ET D'ENTRETIEN
EN PAGES 33 ET 34.

BEST; Hartford, Wisconsin www.BestRangeHoods.com 800 558-1711
BEST; Drummondville, QC, Canada www.BestRangeHoods.com 866 737-7770

Pour enregistrer votre produit en ligne ou pour obtenir plus d'information, veuillez consulter le www.BestRangeHoods.com

AVERTISSEMENT

AFIN DE RÉDUIRE LES RISQUES D'INCENDIE, D'ÉLECTROCUTION OU DE BLESSURES CORPORELLES, SUIVEZ LES DIRECTIVES SUIVANTES :

1. N'utilisez cet appareil que de la façon prévue par le fabricant. Si vous avez des questions, contactez le fabricant à l'adresse ou au numéro de téléphone indiqués dans la garantie.
2. Avant de réparer ou de nettoyer l'appareil, couper l'alimentation électrique en verrouillant le panneau de distribution afin d'éviter sa remise en marche accidentelle. Si le panneau de distribution ne peut être verrouillé, y fixer un avertissement en évidence, telle qu'une étiquette de couleur vive.
3. Les travaux d'installation et de raccordement électrique doivent être effectués par une personne qualifiée, conformément aux codes et aux standards de construction, incluant ceux concernant la protection contre les incendies.
4. Une quantité d'air adéquate est requise afin d'assurer une bonne combustion et l'évacuation des gaz par la cheminée dans le cas des équipements alimentés au gaz afin de prévenir les retours de cheminée. Conformez-vous aux instructions et aux standards de sécurité des fabricants d'équipement de chauffage, tel qu'ils sont publiés par la National Fire Protection Association (NFPA) et l'American Society for Heating, Refrigeration and Air Conditioning Engineers (ASHRAE) ainsi que les responsables des codes locaux.
5. Veillez à ne pas endommager le câblage électrique ou d'autres équipements non apparents lors de la découpe ou du perçage du mur ou du plafond.
6. Les ventilateurs avec conduits doivent toujours évacuer l'air à l'extérieur.
7. Ne pas utiliser cet appareil avec une commande de vitesse à semi-conducteur.
8. Afin de réduire les risques d'incendie, n'utilisez que des conduits de métal.
9. Cet appareil doit être mis à la terre.
10. Lorsqu'une réglementation est en vigueur et qu'elle comporte des exigences d'installation et/ou de certification plus restrictives, lesdites exigences prévalent sur celles de ce document et l'installateur entend s'y conformer à ses frais.

AFIN DE RÉDUIRE LES RISQUES DE FEU DE CUISINIÈRE :

- a) Ne jamais laisser les appareils de cuisson sans surveillance lorsqu'ils sont réglés à feu vif. Les débordements engendrent de la fumée et des déversements gras pouvant s'enflammer. Chauffez l'huile lentement, à feu doux ou moyen.
- b) Mettez toujours la hotte encastrable en marche lorsque vous cuisinez à feu vif ou que vous cuisinez des mets flambés (par ex. : crêpes Suzette, cerises jubilé, steaks au poivre flambés).
- c) Nettoyez régulièrement la (les) roue(s) du ventilateur. Ne laissez pas la graisse s'accumuler sur le ventilateur, les filtres ou les conduits d'évacuation.
- d) Utilisez le bon format de casserole. Servez-vous toujours de casseroles et d'ustensiles appropriés à la dimension de la surface chauffante.

AFIN D'ÉVITER TOUT RISQUE DE BLESSURES LORS D'UN FEU DE CUISINIÈRE, SUIVEZ CES DIRECTIVES* :

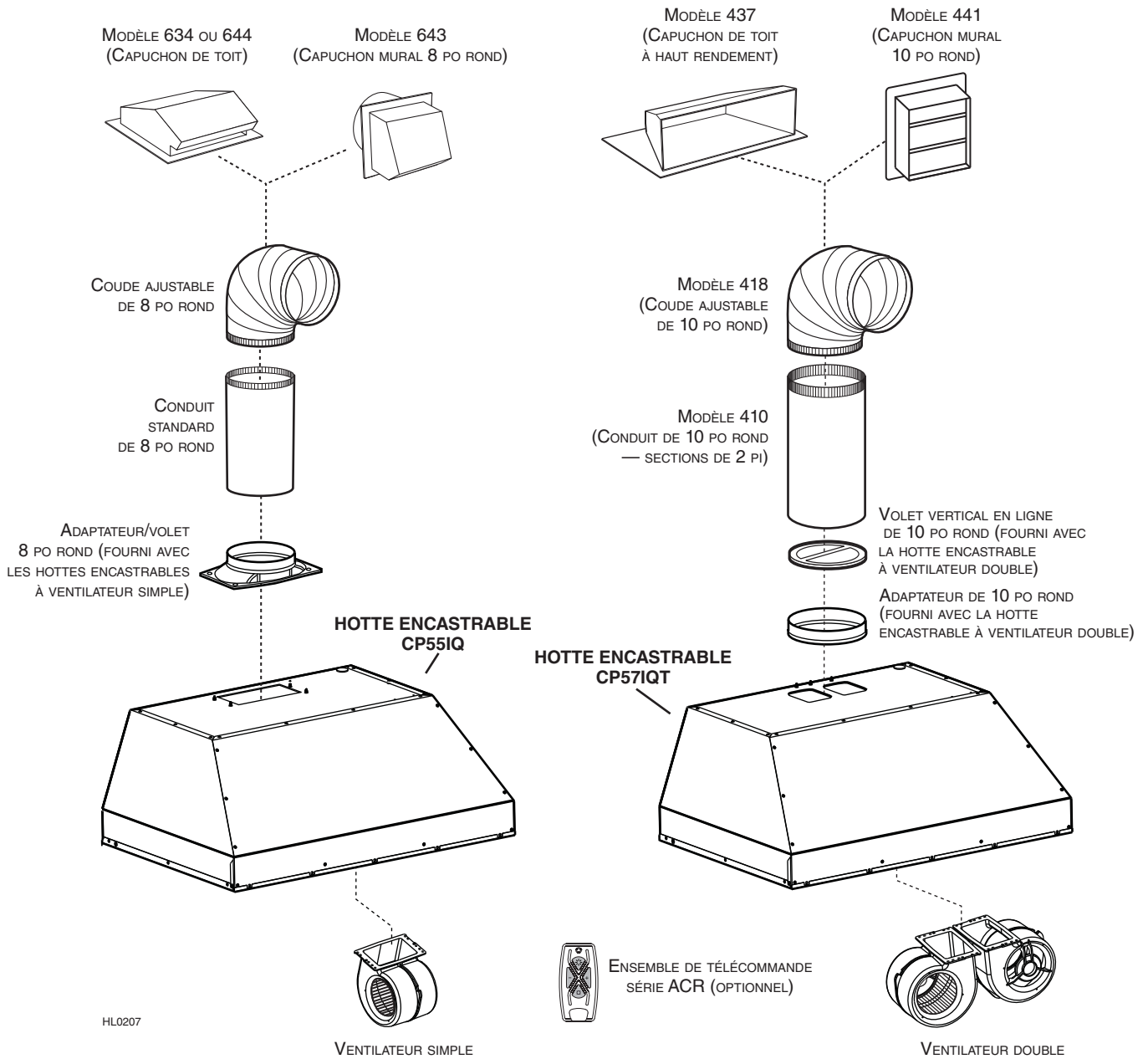
1. Éteufez les flammes avec un couvercle hermétique, une tôle à biscuits ou un plateau métallique et ensuite, éteindre le brûleur. PRENEZ SOIN D'ÉVITER les brûlures. SI LES FLAMMES NE S'ÉTEIGNENT PAS IMMÉDIATEMENT, ÉVACUEZ LES LIEUX ET APPELEZ LES POMPIERS.
2. NE PRENEZ JAMAIS UNE CASSEROLE EN FLAMMES DANS VOS MAINS. Vous pourriez vous brûler.
3. N'UTILISEZ PAS D'EAU, incluant un linge à vaisselle ou une serviette mouillée, cela pourrait occasionner une violente explosion de vapeur.
4. N'utilisez un extincteur QUE DANS LE CAS OÙ :
 - A. Vous savez qu'il s'agit d'un extincteur de classe ABC et que vous en connaissez le fonctionnement.
 - B. L'incendie est petit et limité à l'endroit où il a débuté.
 - C. Les pompiers ont été avisés.
 - D. Vous pouvez combattre l'incendie en ayant accès à une sortie de secours.

*Tirées du *Kitchen Fire Safety Tips* publié par la NFPA.

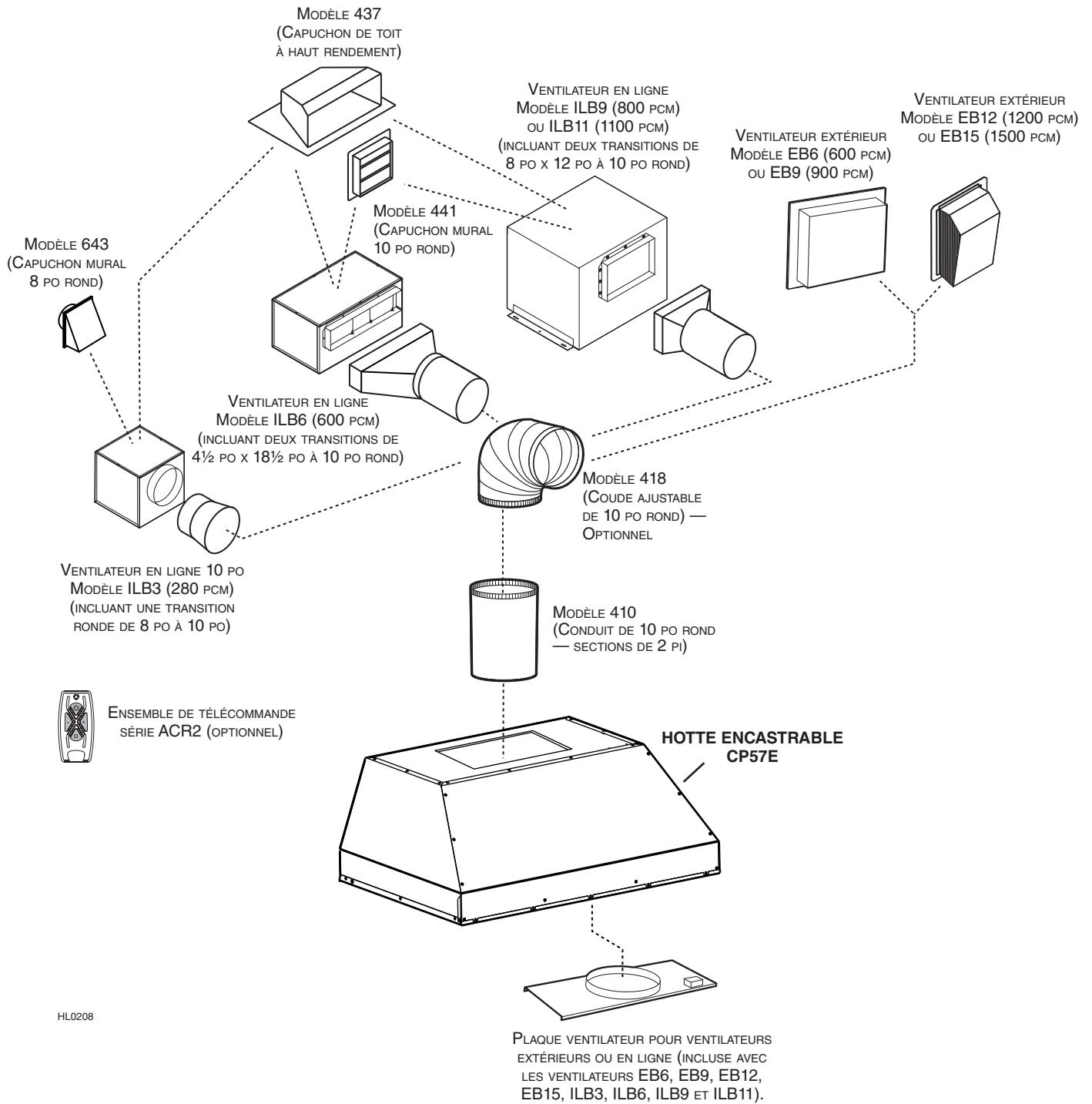
ATTENTION

1. Pour une utilisation à l'intérieur seulement.
2. Pour usage domestique seulement. Ne pas utiliser pour évacuer des vapeurs ou des matières dangereuses ou explosives.
3. Afin d'éviter tout dommage au moteur et de débalancer ou de rendre bruyante la roue du moteur, garder votre appareil à l'abri des poussières de gypse et de construction/rénovation, etc.
4. Le moteur de votre hotte encastrable possède une protection thermique qui éteindra automatiquement le moteur s'il devient surchauffé. Le moteur redémarrera automatiquement une fois refroidi. Si le moteur continue à arrêter et à redémarrer, faites-le vérifier.
5. La distance minimale entre le bas de votre hotte et la surface de cuisson ne doit pas être inférieure à 24 po. Un maximum de 30 po au-dessus de la surface de cuisson est recommandé pour une meilleure évacuation des odeurs de cuisson.
6. Deux installateurs sont recommandés lors de l'installation vu la grande dimension et le poids de cet appareil.
7. Afin de réduire les risques d'incendie, assurez-vous d'évacuer l'air à l'extérieur. Ne pas évacuer l'air dans des espaces restreints comme l'intérieur des murs ou plafond ou dans le grenier, faux plafond ou garage.
8. Cet appareil est équipé d'un thermostat pouvant faire démarrer le ventilateur automatiquement. Afin de réduire le risque de blessure, couper le courant à partir du panneau électrique et le verrouiller ou apposer un avertissement sur le panneau afin de prévenir que la hotte encastrable ne soit mise en marche accidentellement.
9. En raison de la grande capacité d'évacuation de cet appareil, il est recommandé d'ouvrir une fenêtre dans ou près de la cuisine afin de remplacer l'air évacué.
10. Afin de réduire les risques d'incendie et d'électrocution, les modèles Best de la série CP551Q et CP571QT doivent être installés uniquement avec leurs ventilateurs internes intégrés et les modèles Best de la série CP57E avec les ventilateurs externes EB6, EB9, EB12 ou EB15 ou un ventilateur en ligne ILB3, ILB6, ILB9, ILB11. Aucun autre ventilateur ne doit être utilisé.
11. Veuillez consulter l'autocollant apposé à l'intérieur du produit pour plus d'information ou autres exigences.
12. Cette hotte encastrable est munie d'un récepteur radio (télécommande optionnelle vendue séparément). Tous changements ou modifications qui ne sont pas approuvés par la partie responsable de la conformité pourraient annuler la possibilité d'opérer l'équipement. La télécommande a été testée et est en accord avec les limites de la Classe B appareil numérique et est conforme au chapitre 15 des règlements FCC et ICES-003 canadiens. Ces limites sont développées afin de fournir une protection raisonnable contre des interférences dommageables dans une installation résidentielle. La télécommande génère, utilise et peut émettre des flux de fréquences radio qui peuvent causer des interférences aux communications radio, si elle n'est pas installée selon les instructions. Cependant, il n'y a aucune garantie que ces dites interférences ne se produiront pas dans une installation particulière. Si cet équipement cause des interférences à un récepteur radio ou un téléviseur, cela peut être confirmé en éteignant et rallumant l'appareil, l'utilisateur est encouragé à corriger cette situation en essayant les solutions suivantes :
 - Réorienter ou relocaliser l'antenne réceptrice
 - Augmenter la distance entre l'équipement et le récepteur
 - Connecter l'équipement à une autre prise électrique ou un autre disjoncteur différent de celui du récepteur

- SYSTÈMES DE HOTTES ENCASTRABLES - SÉRIES CP55IQ ET CP57IQT



- SYSTÈME DE HOTTE ENCASTRABLE - SÉRIE CP57E



HL0208

1. INSTALLER LES CONDUITS ET LE CÂBLAGE ÉLECTRIQUE

1.1 INSTALLATION EN RECIRCULATION (HOTTES ENCASTRABLES DE SÉRIE CP55IQ SEULEMENT)

Les hottes encastrables de série CP55IQ peuvent être installées en recirculation. Le kit de recirculation ANKCP55 doit être installé (vendu séparément).

1.2 INSTALLATION AVEC CONDUITS (TOUTES LES HOTTES ENCASTRABLES)

Pour les hottes encastrables de la série CP57E, un ventilateur en ligne ou extérieur doit être utilisé. La hotte encastrable de la série CP57E doit être installée avec les ventilateurs de modèle ILB3, ILB6, ILB9, ILB11, EB6, EB9, EB12 ou EB15 seulement. Aucun autre ventilateur ne peut être utilisé (ventilateurs vendus séparément). Déterminer à quel endroit et de quelle façon les conduits seront installés.

Si un ventilateur en ligne est installé, se reporter aux directives incluses avec celui-ci et suivre les étapes 1 à 7, 11, 13 et suivantes de ce guide.

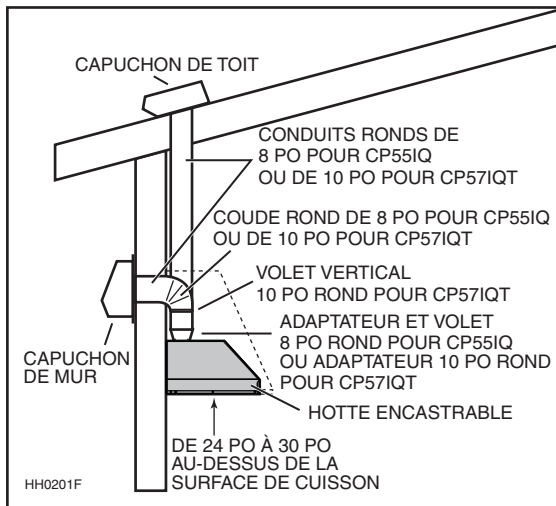
Installer des conduits de dimensions appropriées, coude(s) et capuchon de mur ou de toit selon le type de ventilateur. Installer des conduits ronds de 8 po avec la hotte encastrable de la série CP55IQ et des conduits ronds de 10 po avec la hotte encastrable de la série CP57IQT ou CP57E. Se servir de ruban adhésif de métal pour assurer l'étanchéité des joints.

NOTE: Il est recommandé d'installer un conduit droit entre la hotte et un coude, d'une longueur minimale de 6 po pour un conduit de 8 po et d'une longueur minimale de 12 po pour un conduit de 10 po.

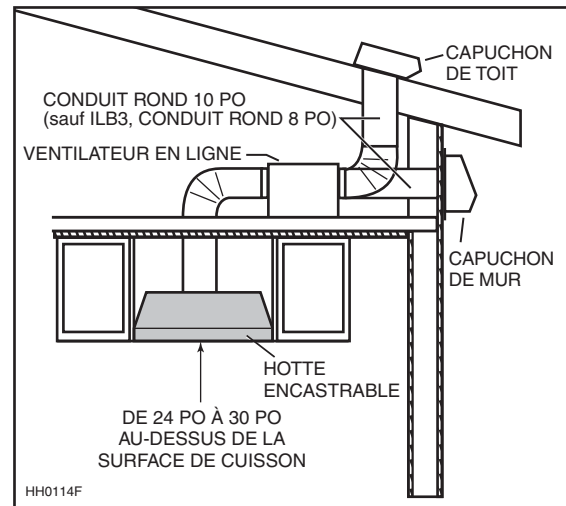
1.3 TOUTES LES INSTALLATIONS

La distance entre le bas de votre hotte et la surface de cuisson ne doit pas être inférieure à 24 po. Un maximum de 30 po au-dessus de la surface de cuisson est fortement recommandé pour une meilleure évacuation des odeurs de cuisson.

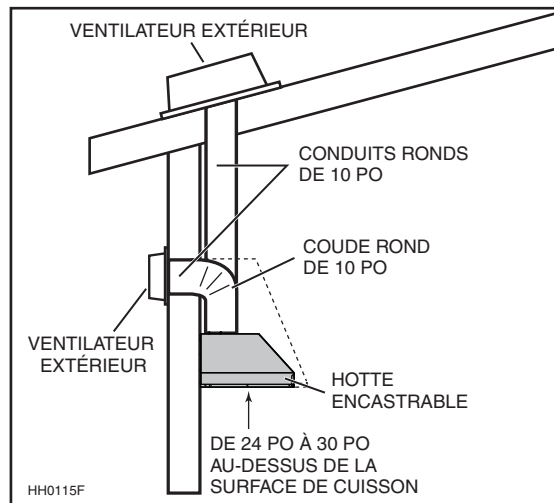
Une distance de plus de 30 po demeure à la discrétion de l'installateur et de l'utilisateur. Acheminer le câble d'alimentation électrique à 3 conducteurs jusqu'à l'emplacement de la hotte. Le câble devrait excéder de 4 pi le dessous de la hotte.



INSTALLATION TYPE
CP55IQ (VENTILATEUR INTERNE SIMPLE)
OU CP57IQT (VENTILATEUR INTERNE DOUBLE)



INSTALLATION TYPE CP57E AVEC VENTILATEUR EN
LIGNE MODÈLE ILB3, ILB6, ILB9 OU ILB11
(L'EMPLACEMENT DU VENTILATEUR EST ILLUSTRÉ
À TITRE DE RÉFÉRENCE SEULEMENT)



INSTALLATION TYPE CP57E AVEC VENTILATEUR EXTÉRIEUR

2. PRÉPARER L'INSTALLATION

⚠ AVERTISSEMENT

Il est recommandé de porter des lunettes et des gants de sécurité lors de l'installation, de l'entretien et de la réparation de cet appareil.

NOTE : Avant de commencer l'installation, vérifier le contenu de la boîte. Si des pièces sont manquantes ou endommagées, contacter le fabricant.

S'assurer que les articles suivants sont inclus :

- Hotte encastrable
- Accessoires :
 - Filtres à chicane hybrides (3 pour le modèle de 36 po de largeur, 4 pour le modèle de 42 po de largeur et 5 pour les modèles de 48 po à 66 po de largeur)
 - Adaptateur/volet de 8 po rond (fourni avec les hottes encastrables de série CP55IQ)
 - Volet vertical en ligne de 10 po rond (fourni avec les hottes encastrables de série CP57IQT)
 - Adaptateur de 10 po rond (fourni avec la hotte encastrable série CP57IQT)
 - Sac de pièces : 1 serre-fils, 2 capuchons de connexion, 4 vis n° 8 x 3/8 po, 9 vis plaquées chrome n° 8 x 1/2 po, 10 vis n° 8-32 x 1/4 po (ne pas utiliser avec ce produit, veuillez vous défaire des vis n° 8-32 x 1/4 po).

Pièces vendues séparément :

- Ensemble de télécommande série ACR
- Ventilateur en ligne modèle ILB3, ILB6, ILB9 ou ILB11.
- Ventilateur externe modèle EB6, EB9, EB12 ou EB15.
- Conduits, coudes, capuchons de mur ou de toit. Consulter les pages 23 et 24 pour la liste complète des accessoires de ventilation et les numéros de modèle.
- Kit de recirculation de série ANKCP55, essentiel pour une installation sans conduit.

NOTE : Lors de l'installation, protéger la surface de cuisson et le comptoir de cuisine.

3. PRÉPARATION DE L'ARMOIRE POUR HOTTE

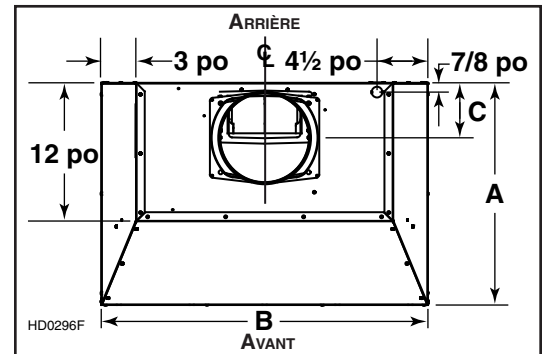
⚠ AVERTISSEMENT

Toujours suivre les codes et standards en vigueur lors de la construction de l'armoire pour hotte.

Construire l'armoire en fonction du format et du poids total de la hotte encastrable CP55IQ, CP57IQT ou CP57E.

Consulter le tableau et l'illustration pour plus de détails.

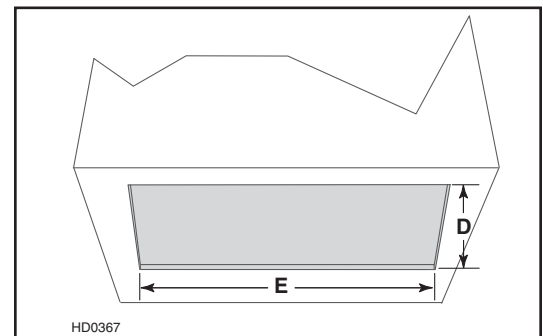
HOTTE ENCASTRABLE		POIDS TOTAL	DIMENSIONS DE LA HOTTE ENCASTRABLE		
MODÈLE	LARGEUR		A*	B*	C
CP55IQ	36 PO	52 LB	19 ⁵ / ₁₆ PO	34 ⁷ / ₁₆ PO	4 ¹ / ₄ PO
	42 PO	62 LB	19 ⁵ / ₁₆ PO	40 ⁷ / ₁₆ PO	4 ³ / ₈ PO
CP57IQT	36 PO	62 LB	19 ⁵ / ₁₆ PO	34 ⁷ / ₁₆ PO	5 ³ / ₈ PO
	48 PO	72 LB	19 ⁵ / ₁₆ PO	46 ⁷ / ₁₆ PO	5 ³ / ₈ PO
	48 PO	72 LB	22 ⁹ / ₁₆ PO	46 ⁷ / ₁₆ PO	5 ³ / ₈ PO
	54 PO	82 LB	22 ⁹ / ₁₆ PO	52 ⁷ / ₁₆ PO	5 ³ / ₈ PO
	60 PO	85 LB	22 ⁹ / ₁₆ PO	58 ⁷ / ₁₆ PO	5 ³ / ₈ PO
CP57E	36 PO	40 LB	22 ⁹ / ₁₆ PO	34 ⁷ / ₁₆ PO	6 PO
	48 PO	53 LB	22 ⁹ / ₁₆ PO	46 ⁷ / ₁₆ PO	6 PO
	60 PO	66 LB	22 ⁹ / ₁₆ PO	58 ⁷ / ₁₆ PO	6 PO



* Les têtes de rivets sont incluses dans les dimensions A et B.

Afin de minimiser l'espace autour de la hotte encastrable, mesurer la longueur et profondeur de celle-ci et ajouter 1/16 po pour obtenir les mesures de D et E. Découper le trou dans la base de l'armoire selon les dimensions obtenues. Consulter le tableau et l'illustration pour plus de détails.

HOTTE ENCASTRABLE		DIMENSIONS DE LA DÉCOUPE	
MODÈLE	LARGEUR	D	E
CP55IQ	36 PO	19 ³ / ₈ PO	34 ¹ / ₂ PO
	42 PO	19 ³ / ₈ PO	40 ¹ / ₂ PO
CP57IQT	36 PO	19 ³ / ₈ PO	34 ¹ / ₂ PO
	48 PO	19 ³ / ₈ PO	46 ¹ / ₂ PO
	48 PO	22 ⁵ / ₈ PO	46 ¹ / ₂ PO
	54 PO	22 ⁵ / ₈ PO	52 ¹ / ₂ PO
	60 PO	22 ⁵ / ₈ PO	58 ¹ / ₂ PO
CP57E	36 PO	22 ⁵ / ₈ PO	34 ¹ / ₂ PO
	48 PO	22 ⁵ / ₈ PO	46 ¹ / ₂ PO
	60 PO	22 ⁵ / ₈ PO	58 ¹ / ₂ PO



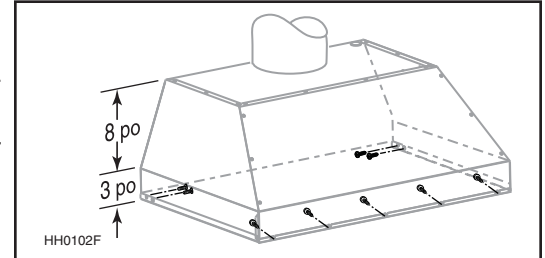
4. ASSEMBLAGE DE LA CHARPENTE DE L'ARMOIRE

⚠ AVERTISSEMENT

La charpente de bois doit être fixée solidement aux montants ou autre structure derrière la cloison. S'assurer qu'elle puisse supporter son propre poids en plus de celui de la CP55IQ, CP57IQT ou CP57E. Ne pas suivre cette directive peut entraîner des blessures corporelles ou des dommages à la surface de cuisson ou au comptoir de cuisine.

Les hottes encastrables séries CP55IQ, CP57IQT et CP57E sont fixées à la charpente de l'armoire à l'aide des vis fournies dans le sac de pièces.

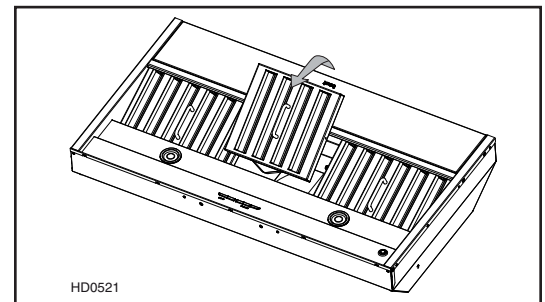
Puisque les trous d'assemblage des hottes encastrables de séries CP55IQ, CP57IQT et CP57E sont situés à l'avant et sur les côtés arrière (voir l'illustration ci-contre), prévoir d'installer un cadrage de bois à l'avant et de chaque côté pour supporter la hotte encastrable.



5. ENLEVER LES FILTRES À CHICANE HYBRIDES

Enlever le ruban adhésif des filtres. Retirer les filtres de la hotte encastrable et les mettre de côté.

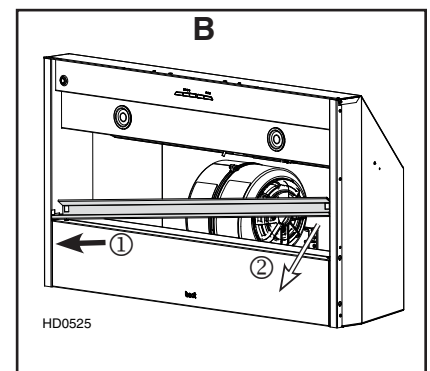
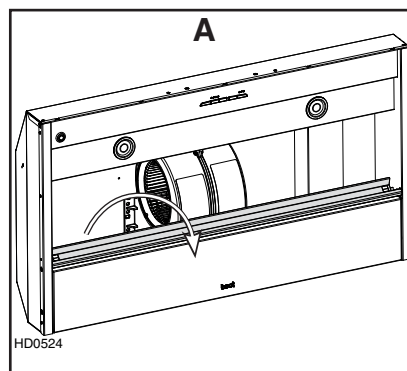
Il est recommandé de commencer par le(s) filtre(s) du centre.



6. RETIRER LA GOUTTIÈRE

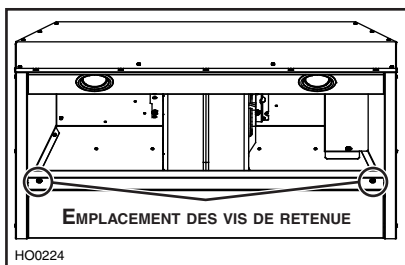
A. Soulever la gouttière pour la désengager du panneau inférieur.

B. Glisser la gouttière complètement vers la gauche ou la droite (①) et soulever l'extrémité opposée pour la désengager du panneau inférieur (②). La retirer de la hotte encastrable et la mettre de côté.

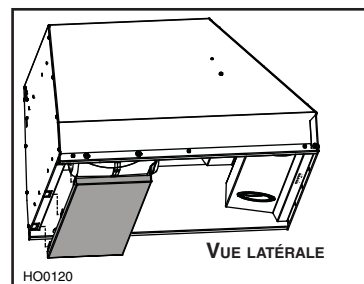


7. RETIRER LE PANNEAU INFÉRIEUR

À l'aide d'un tournevis Phillips, enlever les deux vis de retenue du panneau inférieur et les mettre de côté.

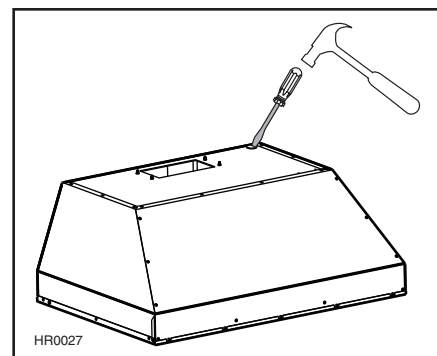


Retirer le panneau inférieur de la hotte encastrable et le mettre de côté.



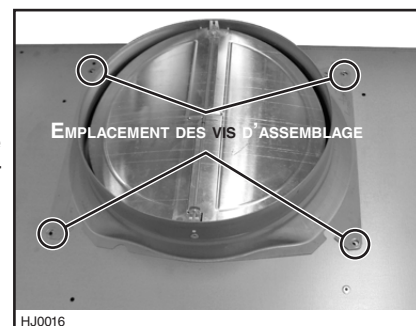
8. DÉFONCER L'OUVERTURE PRÉAMORCÉE (SÉRIES CP55IQ ET CP57IQT SEULEMENT)

Par l'intérieur de la hotte encastrable, retirer le couvercle de la boîte de jonction en dévissant les 2 vis de retenue et les mettre de côté. Défoncer l'ouverture préamorcée pour le fil d'alimentation électrique située sur le dessus de la hotte encastrable. Installer le serre-fil (inclus dans le sac de pièces).



9. INSTALLER L'ADAPTATEUR/VOLET DE 8 PO (SÉRIE CP55IQ SEULEMENT)

À l'aide de 4 vis n° 8 x 3/8 po fournies dans le sac de pièces, assembler l'adaptateur/volet sur le dessus de la hotte encastrable. Le cas échéant, retirer le ruban adhésif des volets pour assurer leur bon fonctionnement. Sceller les joints avec du ruban adhésif de métal pour éliminer les fuites d'air.



10. INSTALLER L'ADAPTATEUR DE 10 PO (SÉRIE CP57IQT SEULEMENT)

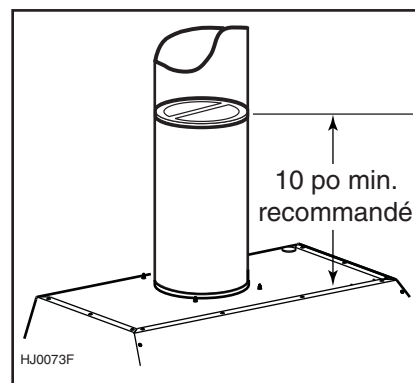
À l'aide de 2 vis n° 8 x 3/8 po fournies dans le sac de pièces, assembler l'adaptateur sur le dessus de la hotte encastrable. Sceller les joints avec du ruban adhésif de métal pour éliminer les fuites d'air.



11. INSTALLER LE VOILET EN LIGNE DE 10 PO (SÉRIES CP57IQT ET CP57E SEULEMENT)

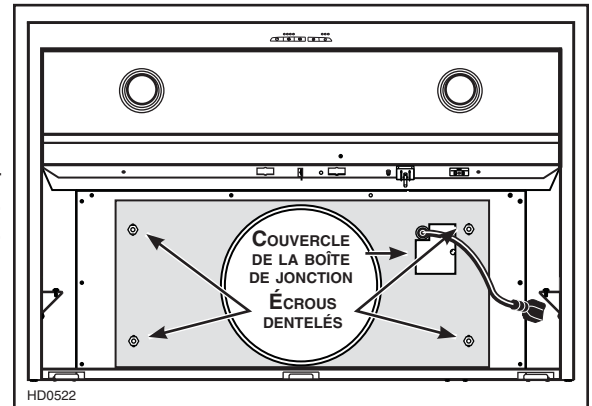
NOTE : Pour une installation sans conduit, ne pas installer le volet en ligne de 10 po.

Installer le volet en ligne de 10 po à l'intérieur du conduit vertical lequel sera rattaché à la hotte encastrable. Ne pas l'installer dans un conduit horizontal car l'ouverture et la fermeture ne pourraient se faire adéquatement. Fixer le volet au conduit à l'aide de 3 vis à métaux n° 8 (non fournies). S'assurer que le volet s'ouvre et se ferme librement. Sceller les joints avec du ruban adhésif de métal pour éliminer les fuites d'air.



12. INSTALLER LA PLAQUE VENTILATEUR POUR VENTILATEURS EXTERNES (SÉRIE CP57E SEULEMENT)

Pour les détails concernant l'installation de la plaque ventilateur, voir les instructions comprises avec l'ensemble ventilateur et la plaque du ventilateur (vendu séparément). Installer la plaque ventilateur de façon à ce que la boîte de jonction se trouve à droite lorsque vous faites face à la hotte, tel qu'il est spécifié sur l'étiquette du ventilateur.



13. BRANCHEMENT ÉLECTRIQUE (TOUS LES VENTILATEURS)

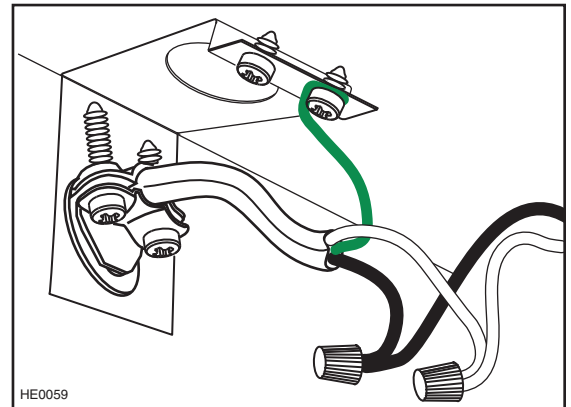
⚠ AVERTISSEMENT

Risque d'électrocution. Le raccordement électrique doit être effectué par du personnel qualifié conformément aux codes et aux standards. Avant d'effectuer le branchement, coupez l'alimentation électrique au panneau de distribution et verrouillez-le pour éviter une mise en marche accidentelle.

Placer la hotte encastrable sous son armoire.

VENTILATEURS INTERNES : Passer le fil d'alimentation électrique à travers le serre-fils précédemment installé à l'étape 8. Serrer le serre-fils pour retenir le fil d'alimentation en place. Connecter les fils dans la boîte de jonction en utilisant les capuchons de connexion fournis. Connecter le fil NOIR au NOIR, le fil BLANC au BLANC et le fil VERT ou dénudé à la vis de mise à la terre. **NE PAS OUBLIER DE CONNECTER LA MISE À LA TERRE.** Remettre en place le couvercle de la boîte de jonction.

VENTILATEURS EXTÉRIEURS OU EN LIGNE : Voir les directives incluses avec ce type de ventilateur.



14. INSTALLER LA HOTTE ENCASTRABLE

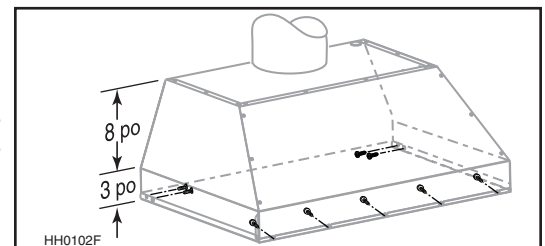
MODÈLE CP55IQ SEULEMENT : Si le modèle CP55IQ est installé avec un kit de recirculation, installer le réducteur de 8 po à 7 po (inclus dans le kit de recirculation) avant d'installer la hotte encastrable dans son armoire.

ATTENTION

Prendre soin de ne pas gauchir les conduits en installant la hotte encastrable.

À l'aide des vis plaquées chrome n° 8 x 1/2 po, encastrer la hotte dans son armoire. Commencer par les vis des coins avant gauche et droit, puis visser les 4 vis des côtés. Utiliser les vis restantes pour fixer l'avant de la hotte encastrable. (Voir l'illustration ci-contre pour l'emplacement spécifique des vis de montage.)

S'assurer que l'adaptateur/volet (ou l'adaptateur) entre dans le conduit. Si l'accès au dessus de la hotte encastrable est ouvert, sceller le joint avec du ruban adhésif de métal.

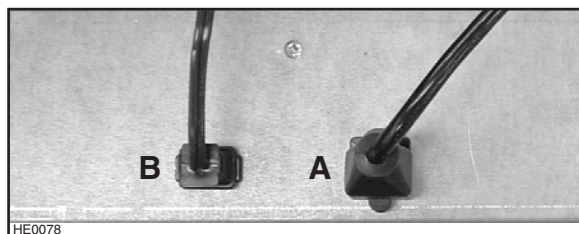


15. BRANCHER LE VENTILATEUR EXTERNE (SÉRIE CP57E SEULEMENT)

⚠ AVERTISSEMENT

Ne jamais brancher ensemble le fil du ventilateur au fil d'alimentation de la hotte.

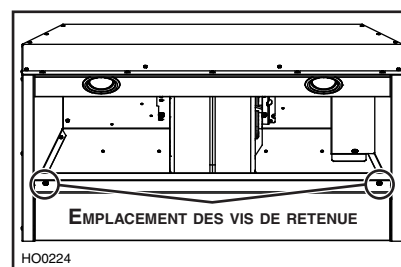
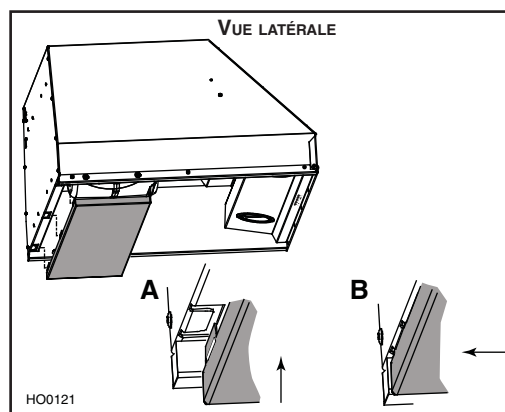
Pour installer le ventilateur, voir les instructions comprises avec celui-ci.
Brancher le fil du ventilateur à la prise à 2 alvéoles (B) et le fil d'alimentation électrique de la hotte encastrable (A) à la fiche à 3 broches, à l'intérieur de la hotte encastrable.



16. REMETTRE EN PLACE LE PANNEAU INFÉRIEUR

Soulever le panneau inférieur et engager les pattes de métal de la hotte dans les fentes du panneau inférieur, tel qu'il est illustré dans les détails A et B ci-dessous.

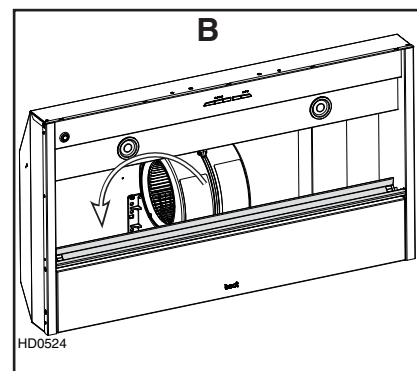
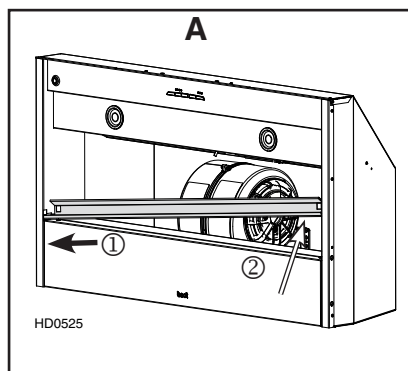
Fixer le panneau inférieur à la hotte encastrable à l'aide de ses vis retirées précédemment à l'étape 7.



17. REMETTRE LA GOUTTIÈRE EN PLACE

A. Insérer une extrémité de la gouttière dans un côté de la hotte encastrable (①) tout en soulevant l'autre extrémité par dessus le rebord du panneau inférieur (②).

B. Centrer la gouttière au dessus du rebord du panneau inférieur et la rabaisser pour l'enclencher en place.



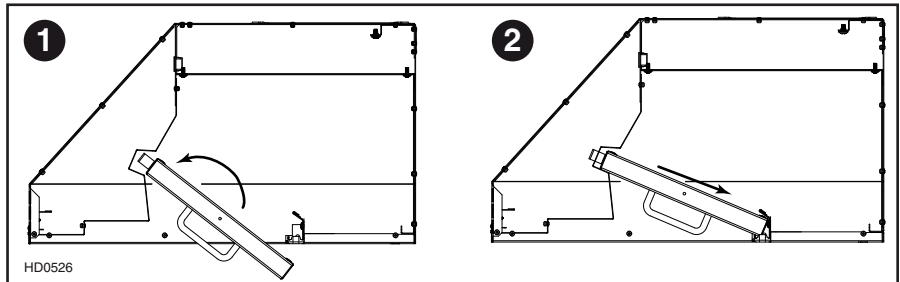
18. RÉINSTALLER LES FILTRES À CHICANE HYBRIDES

ATTENTION

Avant d'installer les filtres à chicane hybrides, retirer le plastique protecteur de ceux-ci.

Il est recommandé d'installer d'abord les filtres situés aux extrémités et de terminer par le(s) filtre(s) du centre.

1. Insérer une extrémité du filtre hybride dans le rail avant de la hotte.
2. Lever l'autre bout du filtre à l'intérieur de la hotte et l'insérer dans la gouttière.



19. CALIBRER LE VENTILATEUR IQ^{MC} (SÉRIES CP55IQ & CP57IQT SEULEMENT)

NOTE : Le processus de calibrage est destiné aux installations avec conduit. Ne pas calibrer les installations en recirculation.

Une fois la hotte encastrable installée et connectée, enclencher le processus de calibrage (notre Technologie de performance garantie s'assure que le débit d'air optimal sera émis). Avant le calibrage, s'assurer que les filtres, les ampoules et le conduit sont installés.

CALIBRAGE

Maintenir le bouton de calibrage enfoncé pendant 3 secondes; le bouton s'allume pour une durée pouvant aller jusqu'à 13 minutes. Le ventilateur se met en marche et le calibrage commence. Une fois le calibrage terminé, il y a deux possibilités :

A. Le ventilateur s'arrête et la lumière du bouton de calibrage s'allume = Calibrage réussi. Appuyer sur le bouton pour éteindre la DEL.

NOTE : La DEL s'éteindra aussi si vous sélectionnez n'importe quelle vitesse de ventilateur à l'aide de la commande.

B. Le ventilateur s'arrête et la lumière du bouton de calibrage clignote continuellement = Trop de restriction dans le conduit empêchant le ventilateur IQ^{MC} d'atteindre le débit d'air nominal. Le ventilateur se règle automatiquement à l'intensité maximale.

NOTE : Les causes les plus courantes de restriction sont : un clapet coincé (clapet antirefoulement, capuchon mural, capuchon de toit), un trop grand nombre de coudes, un conduit dont la dimension est inférieure à 80 % de la sortie de la hotte, une mauvaise transition, l'utilisation de conduit flexible et/ou un conduit écrasé.

Trois options s'offrent à vous si le débit de votre hotte encastrable est soumis à une restriction trop importante :

1. Accepter le débit tel quel. Appuyer sur le bouton de calibrage pour accepter le débit d'air tel quel. Le ventilateur IQ^{MC} est maintenant configuré au meilleur rendement possible. Le témoin de calibrage clignotant s'éteint.

NOTE : La DEL s'éteindra aussi si vous sélectionnez n'importe quelle vitesse de ventilateur à l'aide de la commande.

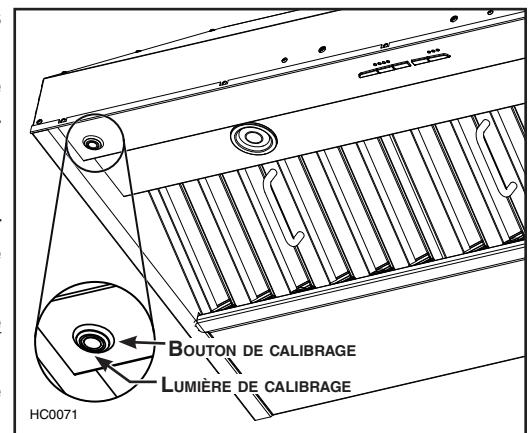
2. Corriger la restriction, effacer les données du calibrage original et recommencer le calibrage.

a. Corriger la restriction dans le conduit.

b. Effacer les données de calibrage original en maintenant le bouton de calibrage enfoncé pendant 10 secondes. Le témoin clignotera alors 3 fois pour confirmer et le ventilateur retournera aux paramètres par défaut.

c. Recommencer le calibrage depuis le début.

3. Effacer les données de calibrage pour rétablir les paramètres par défaut de la hotte encastrable et obtenir le rendement standard à haute pression du ventilateur en maintenant le bouton de calibrage enfoncé pendant 10 secondes. Le témoin clignotera 3 fois pour confirmer et le ventilateur retournera aux paramètres par défaut.



20. ÉCLAIRAGE

L'éclairage de cette hotte encastrable est produit par des ampoules à DEL ne nécessitant aucun entretien.

⚠ AVERTISSEMENT

Ne pas toucher aux ampoules durant ou peu après leur utilisation. Peuvent causer des brûlures.

21. ENTRETIEN

Filtres à chicane hybrides

Les filtres à chicane hybrides doivent être nettoyés fréquemment. Utiliser une solution d'eau chaude et de détergent. Nettoyer les filtres à chicane souvent si vos habitudes de cuisson génèrent beaucoup de graisse, comme la friture ou les aliments sautés au wok. Les filtres à chicane sont lavables au lave-vaisselle.

Retirer les filtres à chicane en les poussant vers l'arrière de la hotte et en les retournant vers le bas. Laisser les filtres sécher complètement avant de les réinstaller dans la hotte encastrable.

Nettoyer les filtres fabriqués entièrement de métal au lave-vaisselle à l'aide d'un détergent sans phosphate. L'utilisation d'un détergent avec phosphate ainsi que les conditions locales de l'eau peuvent entraîner une décoloration des filtres, sans toutefois affecter leur performance. Cette décoloration n'est pas couverte par la garantie.

Gouttière

La gouttière doit être nettoyée fréquemment. La retirer de la hotte encastrable (voir l'étape 6 en page 27) et se servir d'une solution d'eau chaude et de détergent. Comme pour les filtres à chicane, la nettoyer plus souvent si vos habitudes de cuisson génèrent plus de graisse, comme par exemple la friture ou les aliments sautés au wok. Essuyer complètement la gouttière avant de la remettre en place.

Nettoyage du (des) ventilateur(s) interne(s)

Retirer les filtres pour accéder au(x) ventilateur(s) et passer l'aspirateur. Ne pas le(s) plonger dans l'eau.

Nettoyage de la hotte encastrable

Acier inoxydable :

À faire :	À ne pas faire :
<ul style="list-style-type: none">• Laver régulièrement les surfaces à l'aide d'un chiffon ou linge propre imbibé d'eau tiède et de savon doux ou de détergent liquide à vaisselle.• Toujours nettoyer dans le sens du polissage.• Toujours bien rincer avec de l'eau claire (2 à 3 fois) et essuyer complètement.• Un nettoyant domestique conçu spécialement pour l'acier inoxydable peut aussi être utilisé.	<ul style="list-style-type: none">• Ne pas utiliser de laine d'acier ou d'acier inoxydable ou tout autre grattoir pour enlever la saleté tenace.• Ne pas utiliser une poudre nettoyante abrasive ou rugueuse.• Ne pas laisser la saleté s'accumuler.• Ne pas laisser la poussière de plâtre ou tout autre résidu de construction atteindre la hotte. Couvrir la hotte pour la durée des travaux afin de s'assurer qu'aucune poussière n'atteigne la hotte.

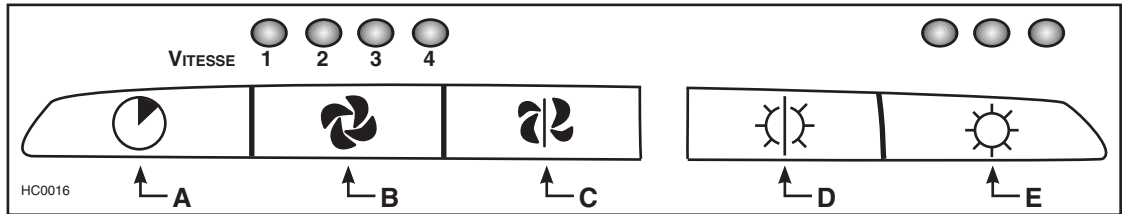
À éviter lors du choix d'un détergent :

- Tous produits nettoyants contenant des **agents de blanchiment**; ils attaqueront l'acier inoxydable.
- Tous produits contenant du **chlorure**, du **fluorure**, de l'**iode** ou du **bromure**; ils détérioreront rapidement les surfaces.
- Tous produits combustibles utilisés pour le nettoyage : **acétone**, **alcool**, **éther**, **benzène**, etc.; ils sont grandement explosifs et ne devraient jamais être utilisés près d'une cuisinière.

22. FONCTIONNEMENT

Toujours mettre en marche le ventilateur avant de commencer la cuisson afin d'établir une circulation d'air dans la cuisine. Aussi, laisser le ventilateur fonctionner quelques minutes après l'arrêt de la cuisinière afin d'aérer.

- A) Bouton d'arrêt différé
- B) Bouton de mise en marche/
Vitesse du ventilateur
- C) Bouton d'arrêt du ventilateur/
Entretien des filtres
- D) Bouton d'arrêt d'éclairage
- E) Bouton d'activation d'éclairage



A. BOUTON D'ARRÊT DIFFÉRÉ :

Lorsque le ventilateur est en marche, appuyer sur ce bouton pour activer la fonction d'arrêt différé. L'indicateur lumineux de la vitesse correspondante commencera à clignoter pour indiquer que la fonction est activée. Le ventilateur continuera à fonctionner pendant 10 minutes, puis s'arrêtera automatiquement. Pour annuler la fonction d'arrêt différé, appuyer de nouveau sur ce bouton, le ventilateur fonctionnera alors en mode normal.

NOTE : Lorsque la fonction d'arrêt différé est activée, la vitesse du ventilateur peut être augmentée ou diminuée à l'intérieur du même cycle de 10 minutes.

B. BOUTON DE MISE EN MARCHÉ/VITESSE DU VENTILATEUR :

Appuyer sur ce bouton pour mettre en marche le ventilateur; il démarrera à la vitesse réglée avant son dernier arrêt. Pour modifier la vitesse du ventilateur, appuyer de nouveau sur le bouton jusqu'à l'obtention de la vitesse désirée. Appuyer et maintenir ce bouton enfoncé pendant 2 secondes afin de diminuer la vitesse par incrément de 1. Les diminutions possibles sont alors : 4 à 3; 3 à 2; 2 à 1 et 1 à ARRÊT. NOTES : 1. À chaque fois que l'on appuie sur ce bouton, la vitesse change par incrément de 1 (ex. : de la vitesse 1 à 2, à 3, puis à 4. À partir de la quatrième vitesse, le ventilateur revient à la première).

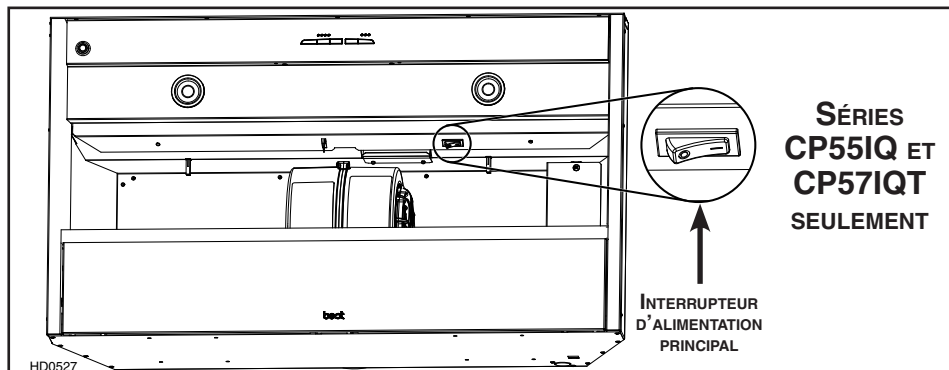
2. La dernière vitesse utilisée est gardée en mémoire. Lorsque le ventilateur est activé de nouveau, il reprend la même vitesse qu'au dernier réglage, sauf pour la 4e vitesse, où il se met en marche à la vitesse 3. La vitesse mémorisée est également synchronisée avec la télécommande optionnelle.

HEAT SENTRY^{MC}

La hotte est munie d'un dispositif de protection qui s'active lorsqu'une chaleur excessive est détectée à l'intérieur de la hotte. Lors de l'activation du Heat Sentry, ce dispositif prend le contrôle du ventilateur et le règle en vitesse 4; la DEL du bouton de la vitesse 4 clignotera. Le ventilateur demeurera en vitesse 4 jusqu'à ce que la température revienne à la normale, il revient alors à la vitesse initialement sélectionnée.

⚠ AVERTISSEMENT

Lors d'un feu de cuisson ou d'une chaleur excessive, le Heat Sentry peut mettre le ventilateur en marche même s'il est arrêté. Si tel est le cas, il est impossible d'arrêter le ventilateur à l'aide du bouton de la commande. Si vous devez arrêter le fonctionnement du ventilateur des modèles des séries CP55IQ/CP57IQT : régler l'interrupteur d'alimentation principal situé derrière les filtres à chicane en position ARRÊT, s'il est possible de le faire de façon sécuritaire (voir ci-dessous). Pour les modèles de la série CP57E : faites-le depuis le panneau de distribution principal.



C. BOUTON D'ARRÊT DU VENTILATEUR/ENTRETIEN DES FILTRES :

Appuyer sur ce bouton pour arrêter le ventilateur et annuler la fonction d'arrêt différé (si activée).

NOTE : Après 30 heures de fonctionnement, les 4 voyants lumineux des vitesses de ventilateur clignoteront pendant 30 secondes pour signifier que les filtres ont besoin d'être nettoyés afin de maintenir leur haut niveau d'efficacité. Appuyer sur ce bouton pour réinitialiser le code afin d'indiquer que l'entretien a été fait.

D. BOUTON D'ARRÊT D'ÉCLAIRAGE :

Appuyer sur ce bouton pour éteindre les lumières.

E. BOUTON D'ACTIVATION D'ÉCLAIRAGE :

Appuyer sur ce bouton pour allumer les lampes; les 3 voyants d'activation de l'éclairage s'allumeront.

NOTE : Il n'y a qu'une seule intensité d'éclairage.

TÉLÉCOMMANDE OPTIONNELLE :

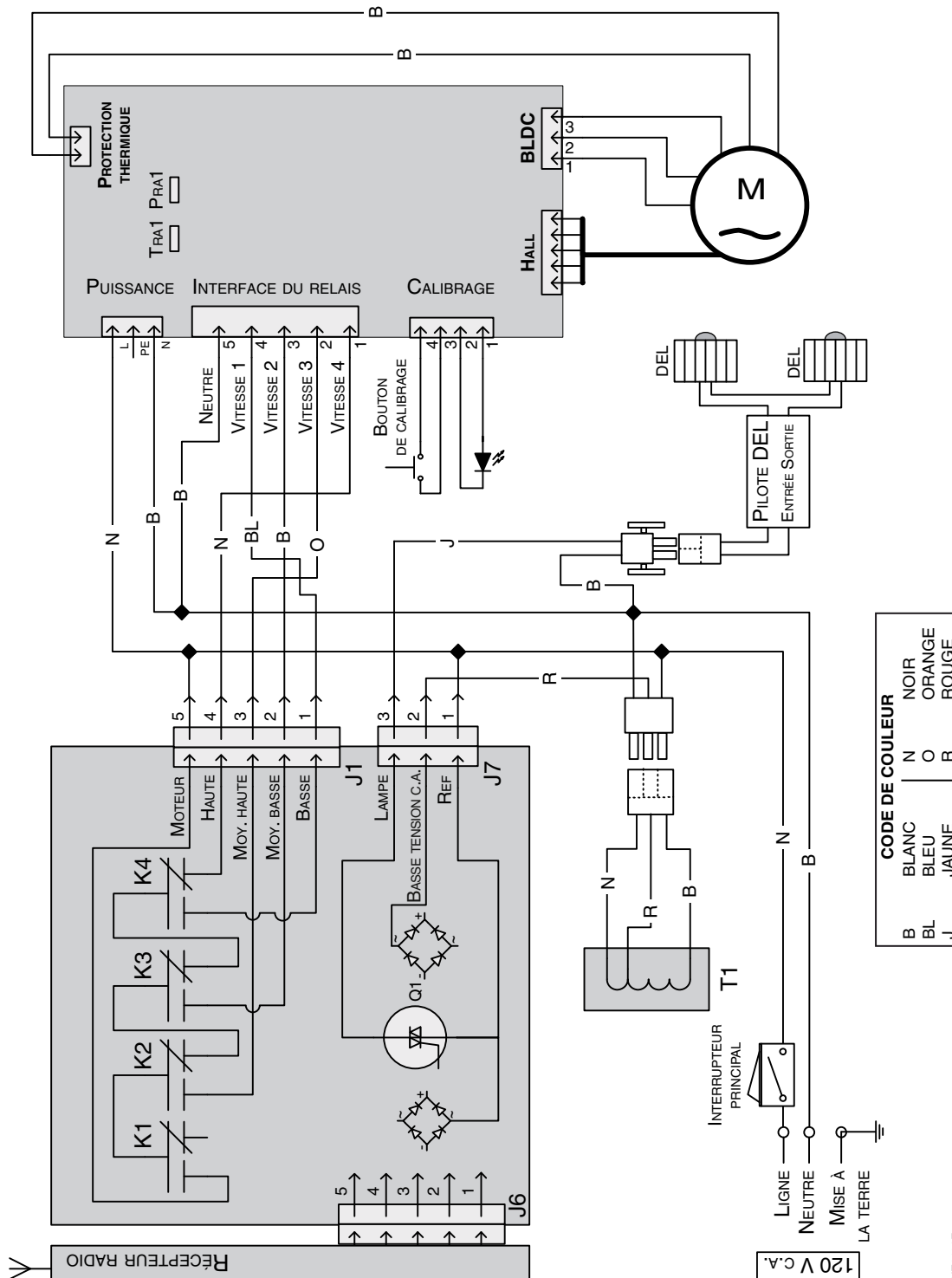
La hotte encastrable peut également être contrôlée à l'aide de la télécommande de série ACR2 (acheter séparément).

23. SCHÉMAS ÉLECTRIQUES

⚠ AVERTISSEMENT

Risque d'électrocution. Le raccordement électrique doit être effectué par du personnel qualifié conformément aux codes et aux standards. Avant d'effectuer le branchement, coupez l'alimentation électrique au panneau de distribution et verrouillez-le pour éviter une mise en marche accidentelle.

Série CP551Q de Best (ventilateur interne)



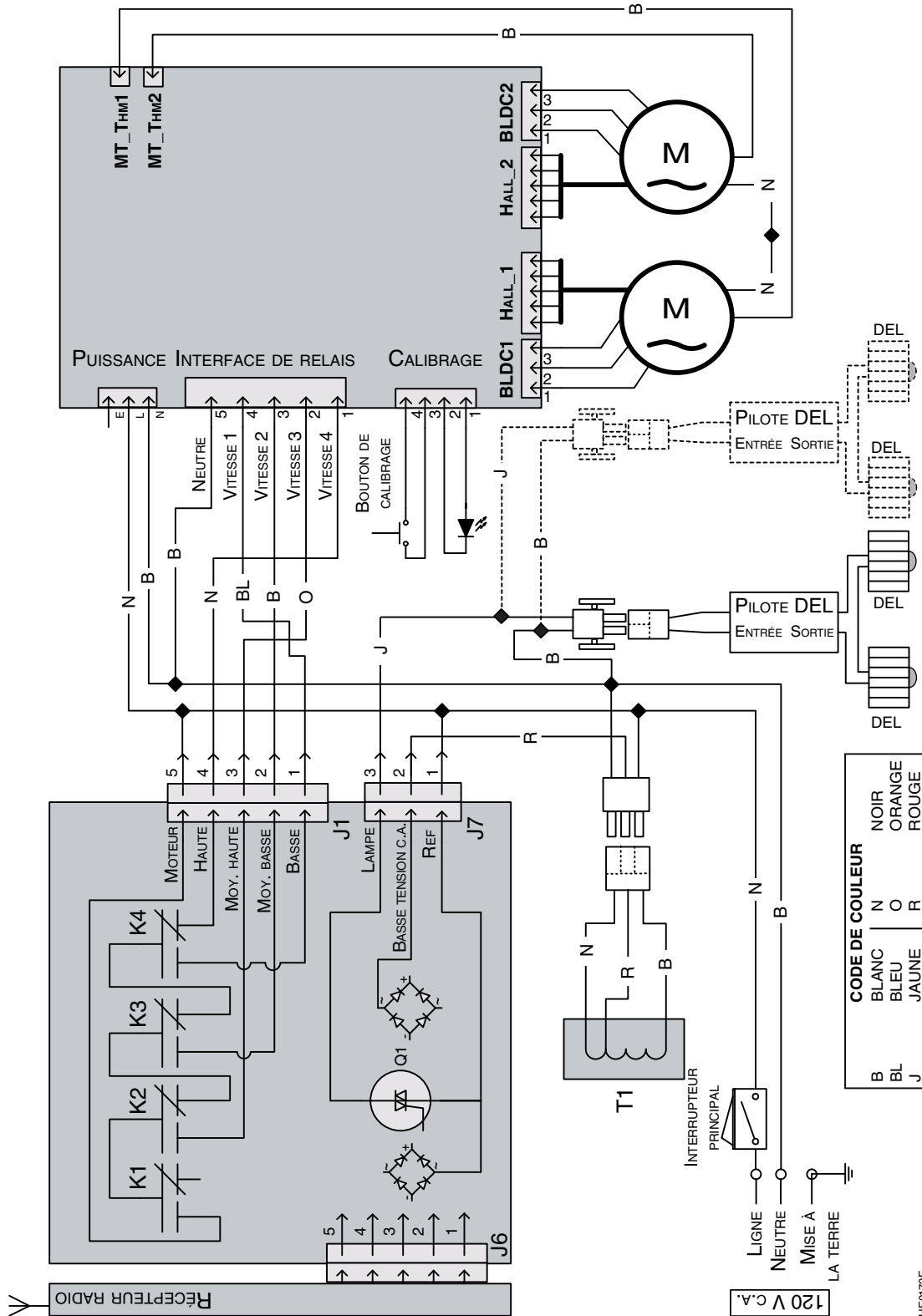
HE0168F

23. SCHÉMAS ÉLECTRIQUES (SUITE)

⚠ AVERTISSEMENT

Risque d'électrocution. Le raccordement électrique doit être effectué par du personnel qualifié conformément aux codes et aux standards. Avant d'effectuer le branchement, coupez l'alimentation électrique au panneau de distribution et verrouillez-le pour éviter une mise en marche accidentelle.

Série CP571QT de Best (ventilateur double)



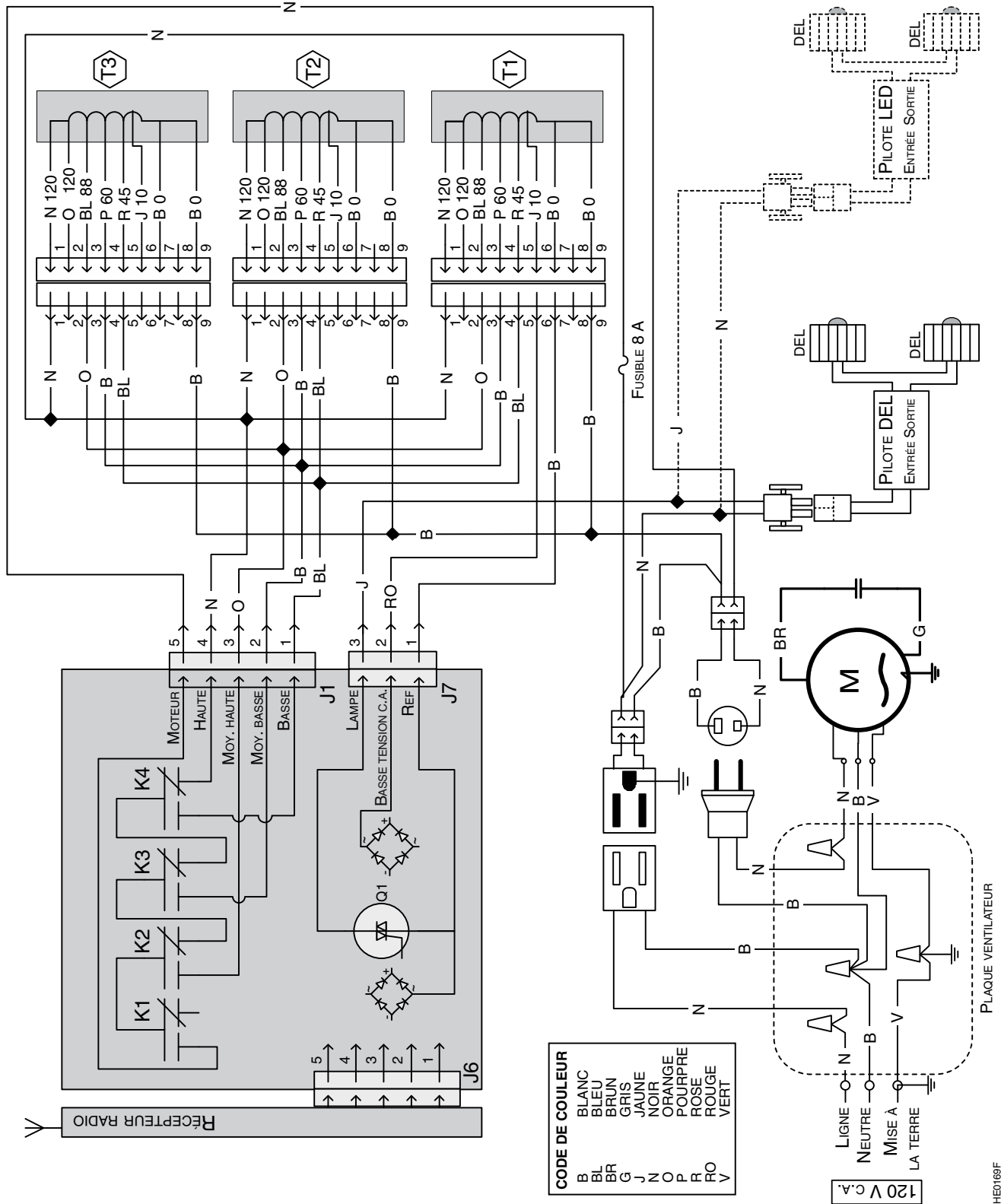
HE0172F

23. SCHÉMAS ÉLECTRIQUES (SUITE)

⚠ AVERTISSEMENT

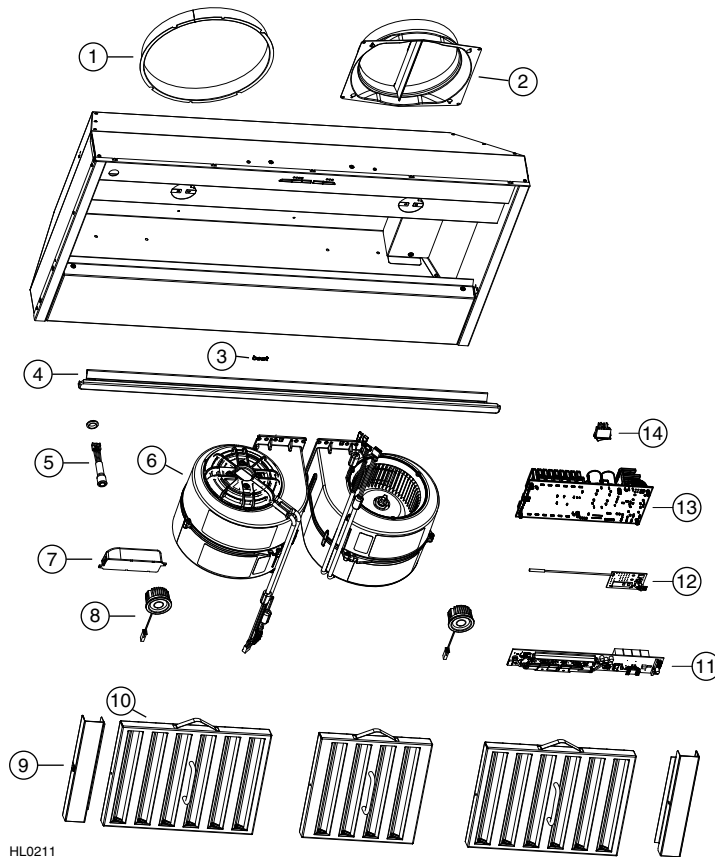
Risque d'électrocution. Le raccordement électrique doit être effectué par du personnel qualifié conformément aux codes et aux standards. Avant d'effectuer le branchement, coupez l'alimentation électrique au panneau de distribution et verrouillez-le pour éviter une mise en marche accidentelle.

Série CP57E de Best



24. PIÈCES DE REMPLACEMENT

Séries CP55IQ et CP571QT de Best



HL0211

PIÈCES DE REMPLACEMENT ET SERVICE

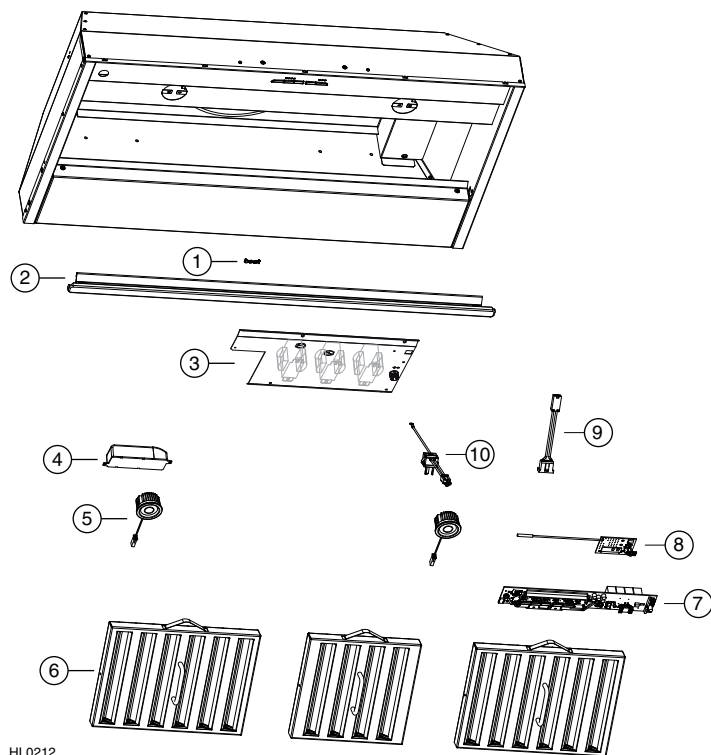
Pour assurer le bon fonctionnement de votre appareil, vous devez toujours utiliser des pièces d'origine provenant de Broan-NuTone. Les pièces d'origine de Broan-NuTone sont spécialement conçues pour satisfaire toutes les normes de certification de sécurité applicables. Leur remplacement par des pièces ne provenant pas de Broan-NuTone pourrait ne pas assurer la sécurité de l'appareil, entraîner une réduction sévère des performances ainsi qu'un risque de défaillance prématurée. Broan-NuTone recommande également de toujours vous référer à une entreprise de services compétente et reconnue par Broan-NuTone pour vos pièces de remplacement et appels de service.

N° RÉF.	N° PIÈCE	DESCRIPTION	QTÉ (LARGEUR DE HOTTE)					
			36 PO	42 PO	48 PO	54 PO	60 PO	66 PO
1	SV08541	ADAPTATEUR 10 PO ROND (POUR HOTTE DE SÉRIE CP571QT)	1	-	1	1	1	1
2	SV08543	ADAPTATEUR/VOLET 8 PO ROND (POUR HOTTES DE SÉRIE CP55IQ)	1	1	-	-	-	-
3	SV05869	LOGO BEST	1	1	1	1	1	1
4	SV17871	GOUTTIÈRE 36 PO	1	-	-	-	-	-
	SV17872	GOUTTIÈRE 42 PO	-	1	-	-	-	-
	SV17873	GOUTTIÈRE 48 PO	-	-	1	-	-	-
	SV17874	GOUTTIÈRE 54 PO	-	-	-	1	-	-
	SV17875	GOUTTIÈRE 60 PO	-	-	-	-	1	-
	SV17876	GOUTTIÈRE 66 PO	-	-	-	-	-	1
5	SV20817	BOUTON DE CALIBRAGE	1	1	1	1	1	1
6	S97018985	VENTILATEUR BLDC (POUR HOTTES DE SÉRIE CP55IQ)	1	1	-	-	-	-
		VENTILATEUR BLDC (POUR HOTTES DE SÉRIE CP571QT)	2	-	2	2	2	2
7	SV21414	COMMANDE DEL ET RALLONGE POUR FAISCEAU DE L'ÉCLAIRAGE À DEL	1	1	1	2	2	2
8	SV21413	MODULE DEL	2	2	2	4	4	4
9	SV61691	ENTRETOISE (PAIRE)	-	1	-	-	-	1
10	SV61639	FILTRES À CHICANE HYBRIDES AVEC MICROMESH ET POIGNÉE 8,84 PO X 9,80 PO X 1 PO	1	4	5	3	1	-
	SV61640	FILTRES À CHICANE HYBRIDES AVEC MICROMESH ET POIGNÉE 11,84 PO X 9,80 PO X 1 PO	2	-	-	2	4	5
11	SV21411	CARTE DE CIRCUIT IMPRIMÉ POUR COMMANDE DU VENTILATEUR INTERNE	1	1	1	1	1	1
12	SV20816	CARTE DE CIRCUIT IMPRIMÉ POUR TÉLÉCOMMANDE	1	1	1	1	1	1
13	SV21416	COMMANDE ÉLECTRONIQUE (POUR HOTTES DE SÉRIE CP55IQ)	1	1	-	-	-	-
	SV20818	COMMANDE ÉLECTRONIQUE (POUR HOTTES DE SÉRIE CP571QT)	1	-	1	1	1	1
14	SV08548	INTERRUPTEUR À BASCULE NOIR	1	1	1	1	1	1
*	SV21418	FAISCEAU ÉLECTRIQUE (POUR HOTTES SÉRIE CP55IQ)	1	1	-	-	-	-
*	SV20824	FAISCEAU ÉLECTRIQUE (POUR HOTTES SÉRIE CP571QT)	1	-	1	1	1	1
*	SV09022	TRANSFORMATEUR 120 V C.A., 9 VOLTS CC	1	1	1	1	1	1
*	SV08542	VOLET VERTICAL EN LIGNE DE 10 PO ROND (POUR HOTTE DE SÉRIE CP571QT)	1	-	1	1	1	1
*	SV21422	GUIDE D'INSTALLATION	1	1	1	1	1	1
*	SV08545	SAC DE PIÈCES : 2 CAPUCHONS DE CONNEXION, 1 SERRE-FILS, 4 VIS N° 8 X 3/8 PO, 9 VIS PLAQUÉES CHROME N° 8 X 1/2 PO, 10 VIS À MÉTAUX N° 8-32 X 1/4 PO	1	1	1	1	1	1

* NON ILLUSTRÉ.

24. PIÈCES DE REMPLACEMENT (SUITE)

Série CP57E de Best



HL0212

PIÈCES DE REMPLACEMENT ET SERVICE

Pour assurer le bon fonctionnement de votre appareil, vous devez toujours utiliser des pièces d'origine provenant de Broan-NuTone. Les pièces d'origine de Broan-NuTone sont spécialement conçues pour satisfaire toutes les normes de certification de sécurité applicables. Leur remplacement par des pièces ne provenant pas de Broan-NuTone pourrait ne pas assurer la sécurité de l'appareil, entraîner une réduction sévère des performances ainsi qu'un risque de défaillance prématurée. Broan-NuTone recommande également de toujours vous référer à une entreprise de services compétente et reconnue par Broan-NuTone pour vos pièces de remplacement et appels de service.

N° RÉF.	N° PIÈCE	DESCRIPTION	Qté (LARGEUR DE HOTTE)		
			36 PO	48 PO	60 PO
1	SV05869	LOGO BEST	1	1	1
2	SV17871	GOUTTIÈRE 36 PO	1	-	-
	SV17873	GOUTTIÈRE 48 PO	-	1	-
	SV17875	GOUTTIÈRE 60 PO	-	-	1
3	SV61659	ENSEMBLE AUTOTRANSFORMATEUR ET FUSIBLE (SUPPORT MÉTALLIQUE INCLUS)	1	1	1
4	SV21414	COMMANDE DEL ET RALLONGE POUR FAISCEAU DE L'ÉCLAIRAGE À DEL	1	1	2
5	SV21413	MODULE DEL	2	2	4
6	SV61639	FILTRES À CHICANE HYBRIDES AVEC MICROMESH ET POIGNÉE 8,84 PO X 9,80 PO X 1 PO	1	5	1
	SV61640	FILTRES À CHICANE HYBRIDES AVEC MICROMESH ET POIGNÉE 11,84 PO X 9,80 PO X 1 PO	2	-	4
7	SV21412	CARTE DE CIRCUIT IMPRIMÉ POUR COMMANDE DU VENTILATEUR EXTERNE	1	1	1
8	SV20816	CARTE DE CIRCUIT IMPRIMÉ POUR TÉLÉCOMMANDE	1	1	1
9	SV13923	CONNECTEUR D'ALIMENTATION FEMELLE	1	1	1
10	SV13924	CONNECTEUR D'ALIMENTATION MÂLE	1	1	1
*	SV20825	FAISCEAU ÉLECTRIQUE (POUR HOTTES SÉRIE CP57E)	1	1	1
*	SV21422	GUIDE D'INSTALLATION	1	1	1
*	SV08545	SAC DE PIÈCES : 2 CAPUCHONS DE CONNEXION, 1 SERRE-FILS, 4 VIS N° 8 X 3/8 PO 9 VIS PLAQUÉES CHROME N° 8 X 1/2 PO, 10 VIS À MÉTAUX N° 8-32 X 1/4 PO	1	1	1

* NON ILLUSTRÉ.

25. GARANTIE

GARANTIE LIMITÉE DE UN AN

Broan-NuTone LLC (« Broan-NuTone ») garantit à l'acheteur consommateur initial de ses produits qu'ils sont exempts de tout défaut dans les matières premières ou la main-d'œuvre, pour une période de un an à compter de la date d'achat par le consommateur initial. IL N'Y A PAS D'AUTRES GARANTIES, EXPRIMÉES OU IMPLICITES, INCLUANT, MAIS NON LIMITÉES AUX GARANTIES IMPLICITES POUR FIN DE COMMERCIALISATION ET DE CONVENANCE DANS UN BUT PARTICULIER.

Durant cette période de un an, Broan-NuTone, à sa discrétion, réparera ou remplacera gratuitement, tout produit ou pièce qui s'avère défectueux et ayant été utilisé normalement et d'une manière non abusive.

CETTE GARANTIE NE S'APPLIQUE PAS AUX STARTERS DE FLUORESCENT, TUBES FLUORESCENTS ET AMPOULES, FUSIBLES, FILTRES, CONDUITS, CAPUCHONS DE TOIT, CAPUCHONS DE MUR ET AUTRES ACCESSOIRES POUR CONDUITS. Cette garantie ne couvre pas (a) l'entretien et le service normal ou (b) tout produit ou pièce endommagé à la suite de mauvais usage, négligence, accident, entretien inapproprié ou réparation (autre que par Broan-NuTone), mauvaise installation ou installation non conforme au mode d'installation recommandé. La durée de toute garantie implicite est limitée à une période de un an telle qu'elle est spécifiée pour la garantie exprimée. Certains États ou provinces ne permettent pas de limite de temps sur les garanties implicites. Si tel est le cas, veuillez ne pas tenir compte de la dernière limite décrite ci-dessus.

L'ENGAGEMENT DE BROAN-NUTONE DE RÉPARER OU DE REMPLACER, AU CHOIX DE BROAN-NUTONE, SERA LA SEULE OBLIGATION EXCLUSIVE SOUS CETTE GARANTIE. BROAN-NUTONE NE SERA PAS TENUE RESPONSABLE DES DOMMAGES DIRECTS, INDIRECTS OU SPÉCIAUX SURVENANT À CAUSE DE OU EN RAPPORT À L'UTILISATION OU À LA PERFORMANCE DE SES PRODUITS. Certains États ou provinces ne permettent pas l'exclusion ou la limite relative aux dommages directs, indirects ou spéciaux. Si tel est le cas, veuillez ne pas tenir compte de l'exclusion ou de la limite ci-dessus.

Cette garantie vous donne des droits légaux spécifiques et il se peut que vous ayez d'autres droits qui varient d'un État ou d'une province à l'autre. Toute modification apportée à ce produit sans l'autorisation de Broan-NuTone annulera cette garantie. Cette garantie annule toutes les autres garanties précédentes.

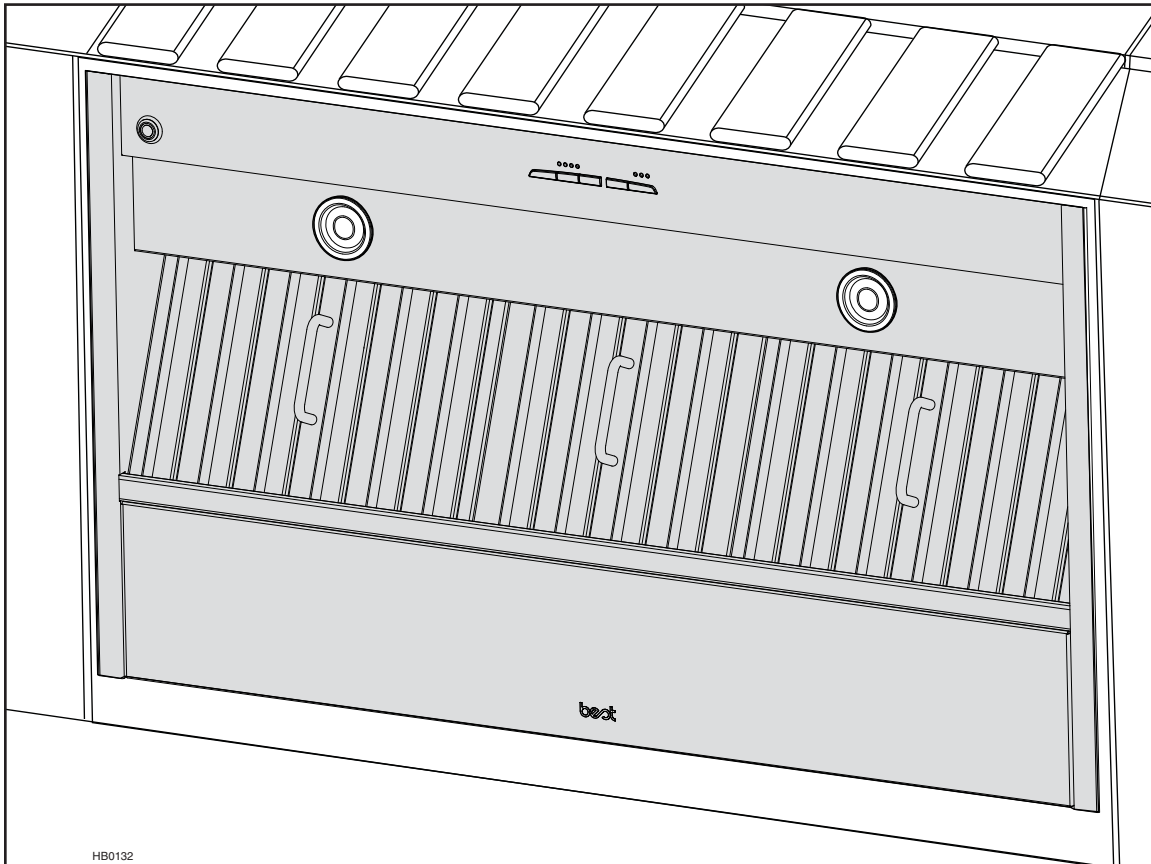
Pour le service sous garantie, vous devez (a) aviser Broan-NuTone à l'une des adresses ou numéros de téléphone mentionnés plus bas, (b) donner le numéro du modèle et l'identification de la pièce et (c) décrire la nature de tout défaut dans le produit ou la pièce. Au moment de la demande de service sous garantie, vous devez présenter une preuve de la date d'achat initial dudit produit.

Best®, 926 W. State Street, Hartford, WI 53027 (1 800 637-1453)

Best®, 550, boul. Lemire, Drummondville, QC, Canada (1 866 737-7770)

www.bestrangehoods.com

best®



SERIES CP55IQ, CP57IQT Y CP57E

⚠ EXCLUSIVAMENTE PARA COCINAS DOMÉSTICAS ⚠

LEA ESTAS INSTRUCCIONES Y GUÁRDELAS

INSTALADOR: ENTREGUE ESTE MANUAL AL PROPIETARIO DE LA CASA.
PROPIETARIO: INFORMACIÓN SOBRE UTILIZACIÓN Y CUIDADO
EN LAS PÁGINAS 53 Y 54.

BEST; Hartford, Wisconsin www.BestRangeHoods.com 800-558-1711

BEST; Drummondville, QC, Canada www.BestRangeHoods.com 866-737-7770

Para registrar su producto en línea o para obtener más información, visitar nuestro sitio www.BestRangeHoods.com

ADVERTENCIA

PARA REDUCIR EL RIESGO DE INCENDIO, DESCARGA ELÉCTRICA O LESIÓN CORPORAL, RESPETE LAS SIGUIENTES INDICACIONES:

1. Utilice esta unidad únicamente de la forma en que indica el fabricante. Si tiene cualquier pregunta, póngase en contacto con el fabricante en la dirección o el teléfono que aparecen en la garantía.
2. Antes de reparar o limpiar el aparato, apáguelo en el tablero de servicio y bloquee los medios de desconexión para impedir que la corriente se conecte accidentalmente. Cuando no se pueda bloquear los medios de desconexión, coloque un dispositivo de advertencia visible (como una etiqueta) en el tablero de servicio.
3. La instalación y la conexión eléctrica deben ser realizadas por personal calificado de acuerdo con todos los códigos y normas aplicables, incluso los relativos a la construcción ignífuga.
4. Para lograr una combustión adecuada y una extracción correcta de los gases a través de la salida del humo (chimenea) del equipo quemador de combustible — evitando así el contratiempo — es necesario disponer de aire suficiente. Siga las directrices del fabricante del equipo de material térmico y las normas de seguridad, como las que publica la NFPA (asociación de protección contra los incendios) y la ASHRAE (sociedad estadounidense de técnicos de calefacción, refrigeración y aire acondicionado) así como los códigos de los organismos responsables locales.
5. Al cortar o perforar la pared o el techo, procure no dañar el cableado eléctrico ni otras instalaciones de servicios públicos.
6. Los ventiladores entubados siempre deben tener salida al exterior.
7. No utilice este aparato con un dispositivo de control de velocidad con semiconductores.
8. Para reducir el riesgo de incendio, utilice sólo tuberías metálicas.
9. Este aparato debe conectarse a tierra.
10. Cuando una reglamentación local esta en vigor y conlleva exigencias de instalación y/o de certificación más estrictas, susodichas exigencias prevalecen sobre aquellas en este documento y el instalador acepta someterse a estas exigencias a sus gastos.

PARA REDUCIR EL RIESGO DE QUE ARDA LA GRASA EN LA PARTE SUPERIOR DE LA COCINA:

- a) No deje nunca recipientes de cocina a fuego vivo sin vigilancia. Los desbordamientos producen humo y derrames grasientos que pueden inflamarse. Caliente el aceite despacio, a fuego lento o mediano.
- b) Ponga en marcha siempre la campana extractora al cocinar a temperaturas elevadas o al cocinar alimentos flameados (crepas Suzette, cerezas jubilee, res con pimienta flambeada).
- c) Limpie los ventiladores con frecuencia. No deje que la grasa se acumule en el ventilador, ni en los filtros o en los conductos de evacuación.
- d) Utilice cacerolas de tamaño apropiado. Emplee siempre un recipiente adecuado para el tamaño de la placa.

PARA REDUCIR EL RIESGO DE LESIONES CORPORALES EN EL CASO DE QUE ARDA LA GRASA EN LA PARTE SUPERIOR DE LA COCINA, SIGA ESTAS INDICACIONES*:

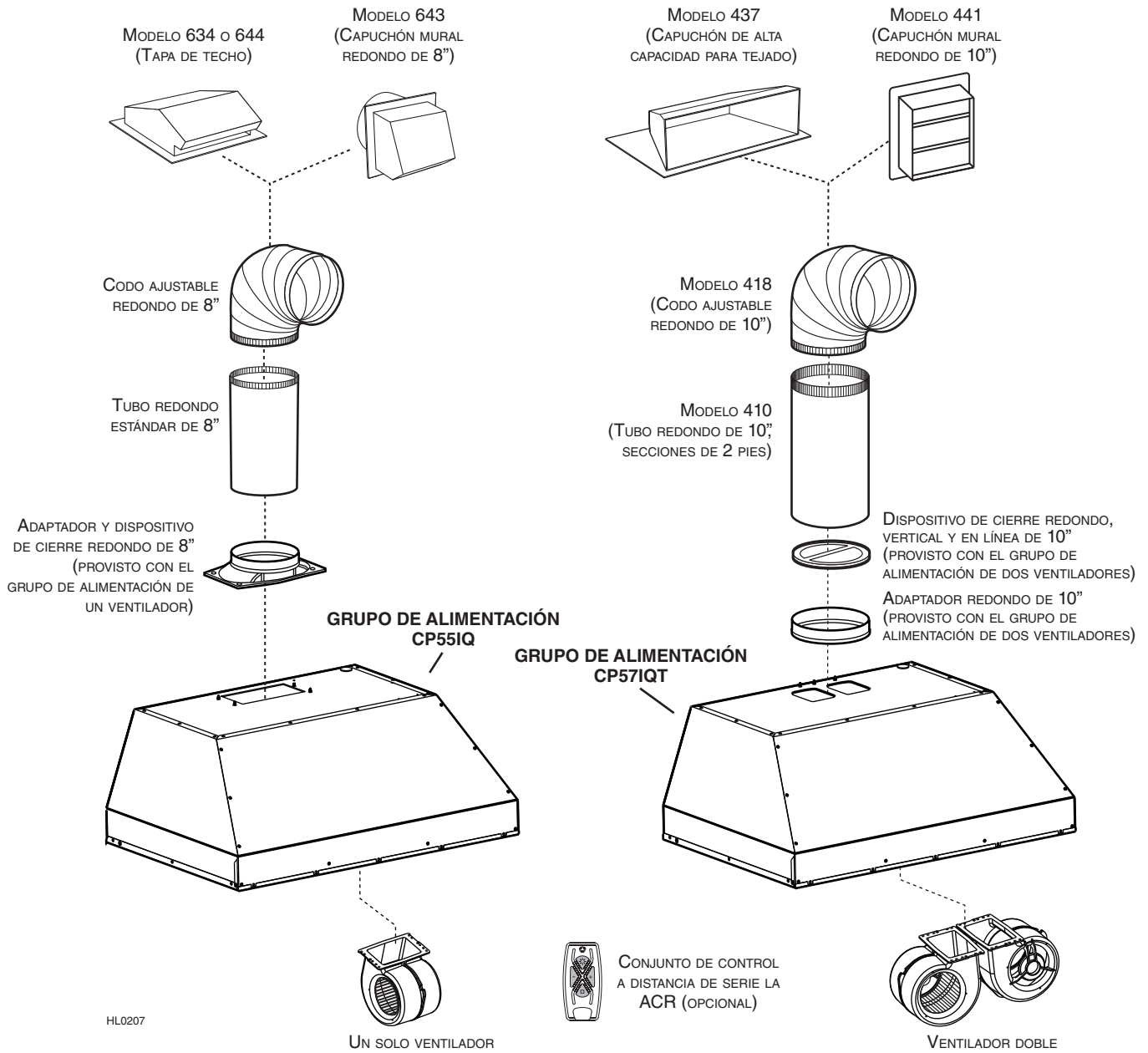
1. SOFOQUE LAS LLAMAS con una tapa ajustada, una hoja o bandeja metálica para hornear galletas, y apague luego el quemador. TENGA CUIDADO PARA EVITAR QUEMADURAS. SI LAS LLAMAS NO SE APAGAN INMEDIATAMENTE, EVACUE EL LUGAR Y LLAME A LOS BOMBEROS.
2. NO SUJETE NUNCA UNA SARTÉN EN LLAMAS ya que podría quemarse.
3. NO USE AGUA, ni trapos húmedos. Podría causar una violenta explosión de vapor.
4. Utilice un extintor SOLAMENTE si:
 - A. Tiene un extintor de tipo ABC y sabe usarlo.
 - B. El incendio es pequeño y está circunscrito a la zona donde empezó.
 - C. Ya ha llamado a los bomberos.
 - D. Puede tratar de apagar el fuego si dispone siempre de una salida detrás de usted.

* Fuente: "Kitchen Fire Safety Tips" publicado por la NFPA.

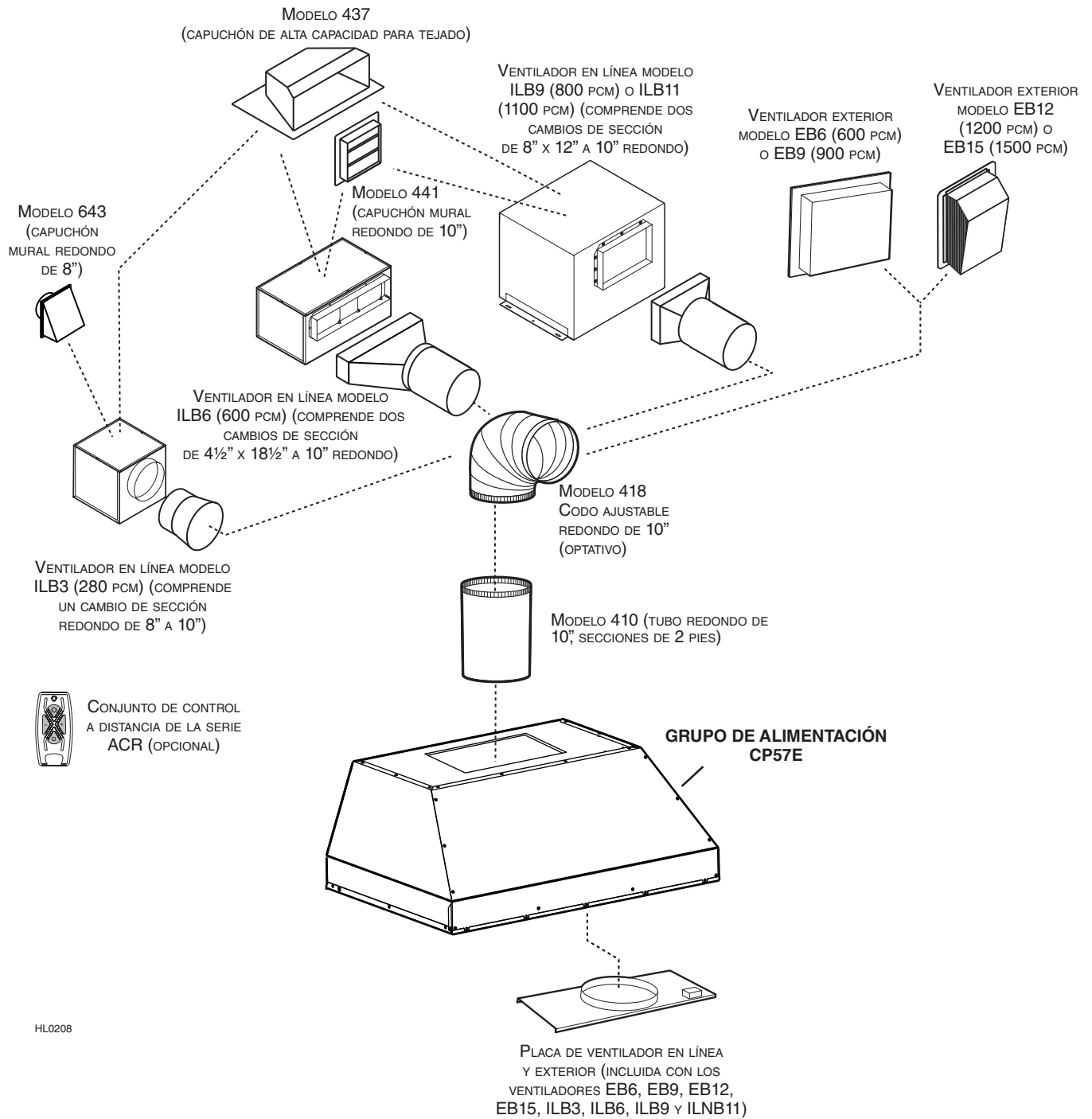
PRECAUCIÓN

1. Sólo para una utilización en el interior.
2. Sólo para ventilación general. No debe utilizarse para extraer materiales o vapores peligrosos o explosivos.
3. Para evitar daños en el cojinete del motor y que la hélice haga ruido o se desequilibre, mantenga la unidad de alimentación lejos de los vaporizadores de pirca, del polvo de la construcción, etc.
4. El motor de la campana tiene un dispositivo contra sobrecargas térmicas que apaga el motor automáticamente si éste se sobrecalienta. El motor volverá a ponerse en marcha cuando se enfríe. Si el motor sigue apagándose, haga examinar la campana.
5. Para que la campana capte bien las impurezas que se desprenden al cocinar, la distancia mínima entre el grupo de alimentación y la superficie de la cocina no debe ser inferior a 24 pulgadas ni superior a 30 pulgadas.
6. Dado el peso y el tamaño de esta unidad, se aconseja que la instalen dos personas.
7. Para reducir los riesgos de incendio y extraer el aire debidamente, el aire debe evacuarse fuera. No extraiga el aire a espacios situados entre las paredes, en el techo o en el desván, falso techo o garaje.
8. Este producto está equipado con un termostato que puede poner en marcha el ventilador automáticamente. Para reducir el riesgo de que se produzcan daños y evitar poner en marcha la alimentación accidentalmente, apague la corriente en el tablero de servicio, bloquee este tablero o ponga una etiqueta de advertencia.
9. Dada la gran capacidad extractora de esta campana, debería asegurarse de que en la casa entra suficiente aire para sustituir el aire extraído. Abra una ventana en la cocina o cerca de ella.
10. Para reducir el riesgo de incendio y de choque eléctrico, los modelos de las series CP55IQ y CP57IQT de Best deben instalarse únicamente con sus propios ventiladores incorporados. Los modelos de la serie CP57E sólo deben instalarse con los modelos de ventiladores externos EB6, EB9, EB12 o EB15 de Best, o con los modelos de ventiladores en línea ILB3, ILB6, ILB9 o ILB11 de Best. No emplee otros ventiladores.
11. Para mayor información y conocer los requisitos, lea la etiqueta con las especificaciones en el producto.
12. Este grupo de alimentación está equipado con un receptor de RF (control remoto opcional se vende por separado). Los cambios o modificaciones no aprobadas expresamente por la parte responsable del cumplimiento podrían anular la autoridad del usuario para operar el equipo. Este control remoto ha sido probado y cumple con los límites establecidos para un dispositivo digital de clase B, acorde a la parte 15 del Reglamento de la FCC e ICES-003 canadiense. Estos límites están diseñados para proporcionar una protección razonable contra interferencias perjudiciales en una instalación residencial. Este control remoto genera, utiliza y puede irradiar energía de radiofrecuencia y, si no se instala y utiliza de acuerdo con las instrucciones, puede causar interferencias perjudiciales a las comunicaciones por radio. Sin embargo, no hay garantía de que no se produzcan interferencias en una instalación particular. Si este equipo causa interferencias perjudiciales para la recepción de radio o televisión, lo cual puede determinarse apagando y encendiendo el equipo, se recomienda al usuario que intente corregir la interferencia por una o varias de las siguientes medidas:
 - Reoriente o cambie la localización de la antena receptora
 - Aumentar la distancia entre el equipo y el receptor
 - Conecte el equipo en un tomacorriente localizado en un circuito diferente al que está conectado el receptor

- SISTEMAS CON LOS GRUPOS DE ALIMENTACIÓN - CP55IQ Y CP57IQT



- SISTEMA CON EL GRUPO DE ALIMENTACIÓN - CP57E



HL0208

1. INSTALACIÓN DE LOS TUBOS Y DE LAS CONEXIONES ELÉCTRICAS

1.1 SIN TUBOS (SÓLO GRUPOS DE ALIMENTACIÓN CP55IQ)

Los grupos de alimentación de la serie CP55IQ pueden usarse sin tubos. Para ello, debe instalarse el conjunto sin tubos ANKCP55, que se vende aparte.

1.2 INSTALACIÓN CON TUBOS (TODOS LOS VENTILADORES)

En el caso de los grupos de alimentación de la serie CP57E, se ha de usar un ventilador exterior o en línea. Los grupos de la serie CP57E sólo pueden instalarse con los modelos de ventilador ILB3, ILB6, ILB9, ILB11, EB6, EB9, EB12 o EB15. No se pueden usar otros ventiladores (los ventiladores se venden aparte). Planifique el lugar y la forma en que instalará los tubos.

Si instala un ventilador exterior o en línea, consulte las instrucciones que vienen con el ventilador y siga las etapas 1 a 7, 11, 13 y siguientes de este manual.

Instale tubos, codos y capuchones murales y del techo de dimensiones adecuadas, según el tipo de ventilador que vaya a utilizar. Si instala un grupo de alimentación de la serie CP55IQ, utilice un tubo redondo de 8" y si instala un grupo de alimentación de las series CP571QT o CP57E, emplee un tubo redondo de 10". Para precintar las juntas utilice cinta adhesiva metálica para tubos.

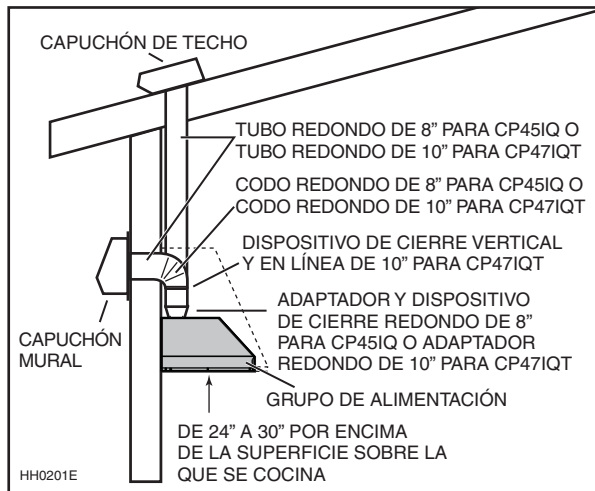
NOTA: Se aconseja que haya un tubo recto de al menos 6" desde la campana hasta un codo para un tubo de 8" y de 12" para un tubo de 10".

1.3 TODAS LAS INSTALACIONES

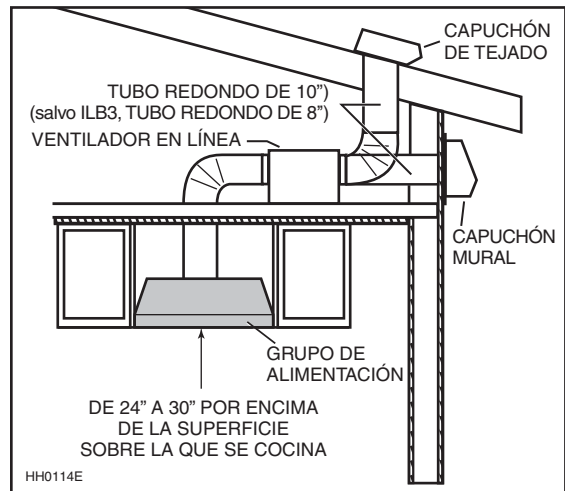
La distancia mínima entre el grupo de alimentación y la superficie sobre la que se cocina no debe ser inferior a 24 pulgadas. Se aconseja una distancia máxima de 30 pulgadas con respecto a la superficie sobre la que se cocina para captar mejor las impurezas que se desprenden al cocinar.

Las distancias de más de 30 pulgadas quedan a discreción del instalador y de los usuarios.

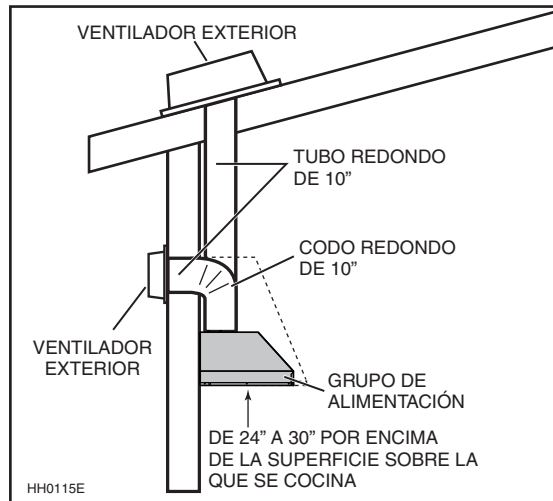
Lleve el cable de alimentación eléctrica de 3 hilos hasta el lugar de la instalación. El cable debe llegar al menos 4 pies por debajo de la base de la campana a medida.



INSTALACIÓN HABITUAL DE LOS TUBOS, MODELOS DE LA SERIE CP55IQ (UN SOLO VENTILADOR INTERIOR) O CP571QT (DOBLE VENTILADOR INTERIOR)



INSTALACIÓN HABITUAL DE LOS TUBOS CON UN VENTILADOR EN LÍNEA MODELO ILB3, ILB6, ILB9 o ILB11 DE LA SERIE CP57E (UBICACIÓN DEL VENTILADOR SÓLO A MODO DE EJEMPLO)



INSTALACIÓN HABITUAL DE LOS TUBOS CON UN VENTILADOR EXTERIOR DE LA SERIE CP57E

2. PREPARACIÓN DE LA INSTALACIÓN

⚠ ADVERTENCIA

Se aconseja llevar lentes y guantes de seguridad para instalar, reparar o limpiar la unidad.

NOTA: Antes de comenzar la instalación, verificar el contenido de la caja. Si alguna pieza falta o está dañada, póngase en contacto con el fabricante.

Compruebe que el conjunto para la instalación contiene los elementos siguientes:

- Grupo de alimentación
- Accesorios:
 - Filtros híbridos (3 para el grupo de alimentación de 36" de ancho, 4 para el de 42" de ancho y 5 para el de 48" a 66" de ancho)
 - Adaptador y dispositivo de cierre redondo de 8" (provisto con los grupos de alimentación de la serie CP55IQ)
 - Dispositivo de cierre redondo, vertical y en línea de 10" (provisto con los grupos de alimentación de la serie CP57IQT)
 - Adaptador redondo de 10" (provisto con los grupos de alimentación de la serie CP57IQT)
 - Bolsa con las piezas siguientes: 1 abrazadera para hilos, 2 conectadores de hilos, 4 tornillos n.º 8 x 3/8", 9 tornillos cromados n.º 8 x 1/2", 10 tornillos n.º 8-32 x 1/4". No deben usarse (deséchelas) 10 tornillos n.º 8-32 x 1/4".

Piezas vendidas aparte:

- Conjunto de control a distancia de la serie ACR
- Conjunto de ventilador en línea, modelo ILB3, ILB6, ILB9 o ILB11.
- Conjunto de ventilador externo, modelo EB6, EB9, EB12 o EB15.
- Tubos, codos, capuchones murales y para el techo. Consulte en las páginas 43 y 44 la lista completa de opciones de ventilación y los números de modelo.
- Juego para instalación sin tubos, serie ANKCP55, esencial para un instalación sin tubos.

NOTA: Proteja la encimera y la parte superior de la cocina durante la instalación.

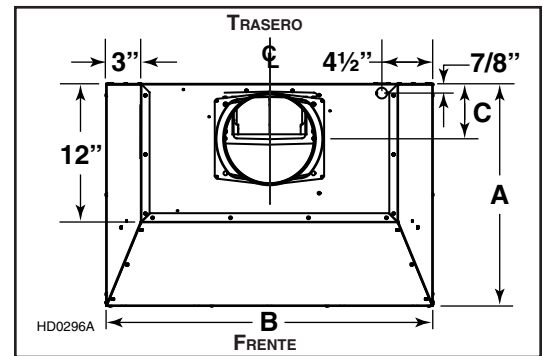
3. PREPARACIÓN DE LA CAMPANA A MEDIDA

⚠ ADVERTENCIA

Siga siempre todos los códigos y normas de construcción aplicables al construir una campana a medida.

Debe prepararse la campana a medida de manera que acepte el tamaño y la forma del grupo de alimentación CP55IQ, CP57IQT o CP57E. Véase la ilustración adjunta para mayor información.

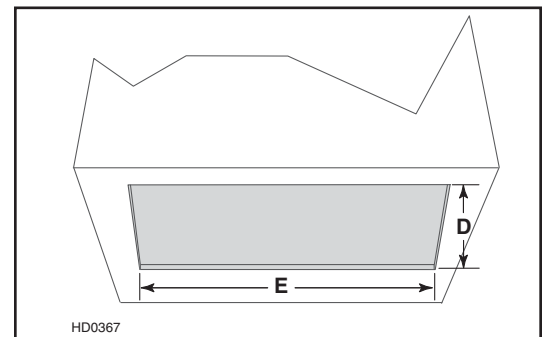
GRUPO DE ALIMENTACIÓN	MODELO	ANCHO	PESO TOTAL	DIMENSIONES DEL GRUPO DE ALIMENTACIÓN		
				A*	B*	C
CP55IQ		36"	52 LB	19 ⁵ / ₁₆ "	34 ⁷ / ₁₆ "	4 ¹ / ₄ "
		42"	62 LB	19 ⁵ / ₁₆ "	40 ⁷ / ₁₆ "	4 ³ / ₈ "
CP57IQT		36"	62 LB	19 ⁵ / ₁₆ "	34 ⁷ / ₁₆ "	5 ³ / ₈ "
		48"	72 LB	19 ⁵ / ₁₆ "	46 ⁷ / ₁₆ "	5 ³ / ₈ "
		48"	72 LB	22 ⁹ / ₁₆ "	46 ⁷ / ₁₆ "	5 ³ / ₈ "
		54"	82 LB	22 ⁹ / ₁₆ "	52 ⁷ / ₁₆ "	5 ³ / ₈ "
		60"	85 LB	22 ⁹ / ₁₆ "	58 ⁷ / ₁₆ "	5 ³ / ₈ "
CP57E		66"	88 LB	22 ⁹ / ₁₆ "	64 ⁷ / ₁₆ "	5 ³ / ₈ "
		36"	40 LB	22 ⁹ / ₁₆ "	34 ⁷ / ₁₆ "	6"
		48"	53 LB	22 ⁹ / ₁₆ "	46 ⁷ / ₁₆ "	6"
	60"	66 LB	22 ⁹ / ₁₆ "	58 ⁷ / ₁₆ "	6"	



* Las dimensiones **A** y **B** comprenden las cabezas de los remaches.

Para minimizar el espacio alrededor del grupo de alimentación, tomar las medidas de la anchura y de la profundidad del grupo de alimentación y añadir 1/16" para obtener las medidas **D** y **E**. Cortar el orificio en el fondo del armario según las dimensiones indicadas. Véase la ilustración y la tabla adjunta para mayor información.

GRUPO DE ALIMENTACIÓN	MODELO	ANCHO	DIMENSIONES DEL ORIFICIO	
			D	E
CP55IQ		36"	19 ³ / ₈ "	34 ¹ / ₂ "
		42"	19 ³ / ₈ "	40 ¹ / ₂ "
CP57IQT		36"	19 ³ / ₈ "	34 ¹ / ₂ "
		48"	19 ³ / ₈ "	46 ¹ / ₂ "
		48"	22 ⁵ / ₈ "	46 ¹ / ₂ "
		54"	22 ⁵ / ₈ "	52 ¹ / ₂ "
		60"	22 ⁵ / ₈ "	58 ¹ / ₂ "
CP57E		66"	22 ⁵ / ₈ "	64 ¹ / ₂ "
		36"	22 ⁵ / ₈ "	34 ¹ / ₂ "
		48"	22 ⁵ / ₈ "	46 ¹ / ₂ "
	60"	22 ⁵ / ₈ "	58 ¹ / ₂ "	



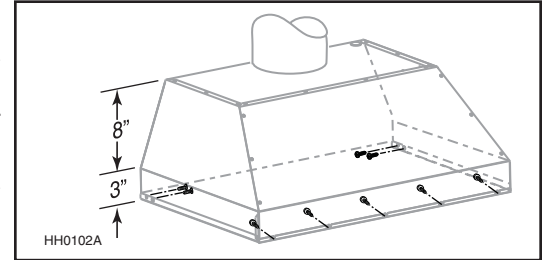
4. MONTAJE DEL ARMAZÓN INTERNO DE LA CAMPANA A MEDIDA

⚠ ADVERTENCIA

La campana de madera ha de estar sujeta de manera segura a los montantes de la pared u otra estructura de madera detrás del panel mural. Compruebe que esta estructura puede soportar su propio peso y el del grupo de alimentación CP55IQ, CP571QT o CP57E. De lo contrario podrían producirse heridas corporales o daños en la encimera o en la superficie de la cocina.

El grupo de alimentación CP55IQ, CP571QT y CP57E está sujeto a la estructura interna de la campana con los tornillos que vienen en la bolsa de piezas.

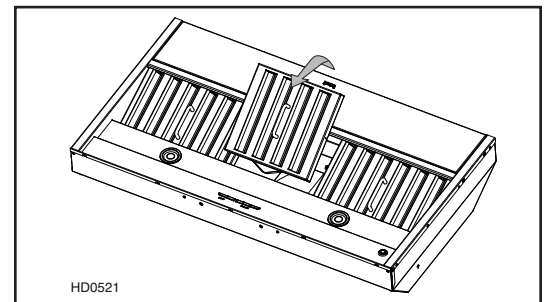
Dado que los agujeros de montaje de los grupos de alimentación CP55IQ, CP571QT y CP57E están en la parte delantera y en los lados, cerca de la parte trasera (véase la ilustración al lado), prevea una estructura de madera delante y en los lados para apoyar.



5. DESMONTAJE DE LOS FILTROS HÍBRIDOS

Retire la cinta de los filtros. Saque los filtros del grupo de alimentación y póngalos aparte.

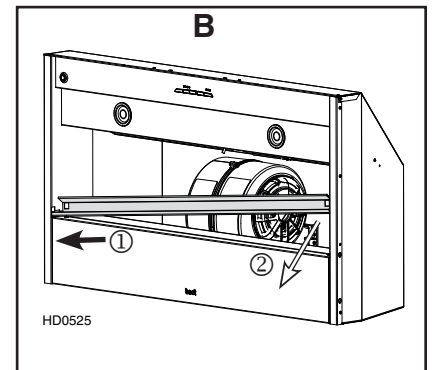
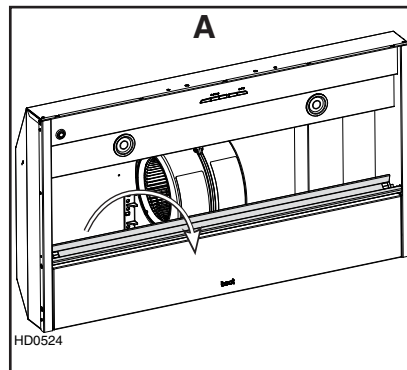
Se aconseja empezar por el filtro o filtros centrales.



6. DESMONTAJE DEL RIEL DE VERTIDO DE LA GRASA

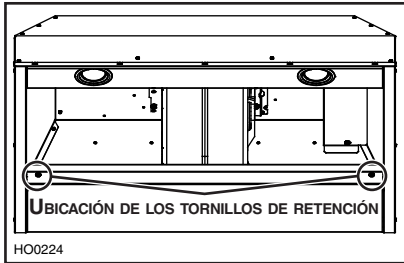
A. Levante el riel para desprenderlo del tablero inferior.

B. Deslice el riel completamente a la izquierda o a la derecha (①) y levante el extremo contrario para desprenderlo del tablero inferior (②). Sáquelo del grupo de alimentación y póngalo a un lado. Se utilizará después.

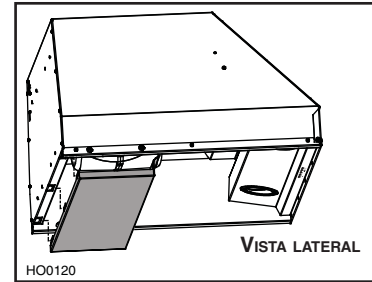


7. DESMONTAJE DEL TABLERO INFERIOR

Utilice un destornillador Phillips para quitar los tornillos que sujetan el tablero inferior y consérvelos.

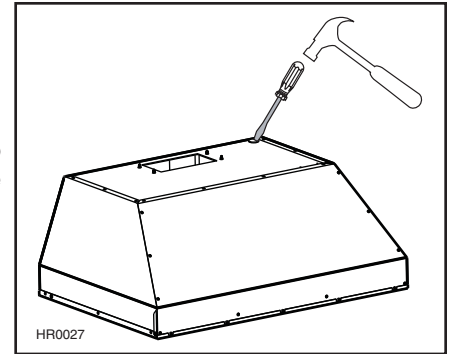


Desmonte el tablero inferior del grupo de alimentación y consérvelo.



8. DESMONTAJE DE LA ABERTURA DESMONTABLE (SERIES CP55IQ Y CP57IQ ÚNICAMENTE)

Desde la parte interior del grupo de alimentación, quite la tapa de las conexiones retirando ambos tornillos de retención (guárdelos). Perfore el orificio desmontable en la parte superior de la campana. Instale la abrazadera para hilos, que viene en la bolsa de piezas.



9. INSTALACIÓN DEL ADAPTADOR O DISPOSITIVO DE CIERRE DE 8” (SERIE CP55IQ ÚNICAMENTE)

Utilice 4 tornillos n.º 8 x 3/8” de la bolsa de piezas para instalar el adaptador o dispositivo de cierre en la parte superior del grupo de alimentación. Quite la cinta adhesiva (de haberla) que se utiliza para el transporte. Precinte todas las juntas con cinta adhesiva metálica para tubos para que no se escape el aire.



10. INSTALACIÓN DEL ADAPTADOR DE 10" (SERIE CP57IQT ÚNICAMENTE)

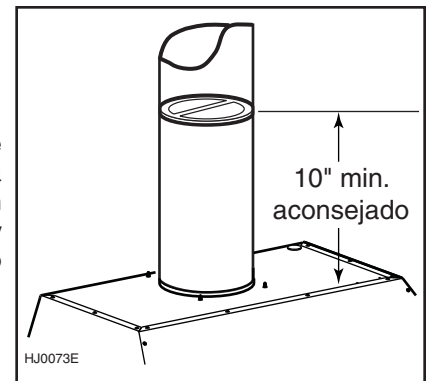
Utilice 2 tornillos n.º 8 x 3/8" de la bolsa de piezas para instalar el adaptador en la parte superior del grupo de alimentación. Precinte todas las juntas con cinta adhesiva metálica para tubos para que no se escape el aire.



11. INSTALACIÓN DEL DISPOSITIVO DE CIERRE DE 10" (SERIES CP55IQ Y CP57IQT ÚNICAMENTE)

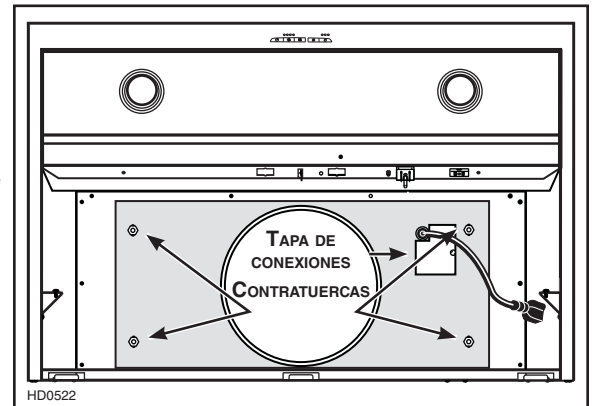
NOTA: Para un instalación sin tubos, no instale el dispositivo de cierre de 10"

Instale el dispositivo de cierre de 10" dentro del tubo VERTICAL que irá unido al grupo de alimentación. No lo instale en un tubo horizontal (no abrirá ni cerrará debidamente). Quite la cinta adhesiva (de haberla) que se utiliza para el transporte. Sujete el dispositivo de cierre al tubo con 3 tornillos n.º 8 para hojas metálicas (no provistos). Verifique que el dispositivo de cierre abre y cierra sin dificultad. Precinte todas las juntas con cinta adhesiva metálica para tubos para que no se escape el aire.



12. INSTALACIÓN DE LA PLACA PARA EL VENTILADOR EXTERIOR (SERIE CP57E ÚNICAMENTE)

Para saber cómo se instala la placa del ventilador, consulte las instrucciones que vienen con el conjunto del ventilador y placa del ventilador seleccionado (se vende aparte). Instale la placa del ventilador de forma que la caja de conexiones quede en el lado derecho cuando se está frente a la campana, como se ven en la etiqueta de la caja del ventilador.



13. CONEXIÓN DEL CABLEADO (TODOS LOS VENTILADORES)

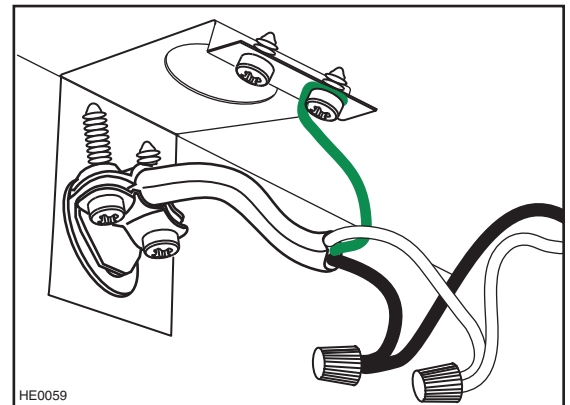
⚠ ADVERTENCIA

Riesgo de choque eléctrico. La conexión eléctrica debe hacerla personal competente con arreglo a los códigos y normas en vigor. Antes de conectar los hilos, corte la alimentación en el tablero de servicio y bloquee los medios de desconexión para impedir que la corriente se conecte accidentalmente.

Ponga el grupo de alimentación debajo de la campana instalada.

VENTILADORES INTERIORES: Introduzca el cable de conexión doméstico a través de la abrazadera para hilos instalada en la etapa 8. Apriete la abrazadera para sujetar el cable. Conecte el cable en la caja de conexiones con los conectadores. Conecte el hilo NEGRO con el NEGRO, el BLANCO con el BLANCO y el VERDE o desnudo en el tornillo de tierra VERDE. **NO OLVIDE CONECTAR LA TIERRA.** Vuelva a instalar la tapa de conexiones.

VENTILADORES EXTERIOR O EN LÍNEA: Consulte las instrucciones que vienen con el ventilador.



14. INSTALACIÓN DEL GRUPO DE ALIMENTACIÓN

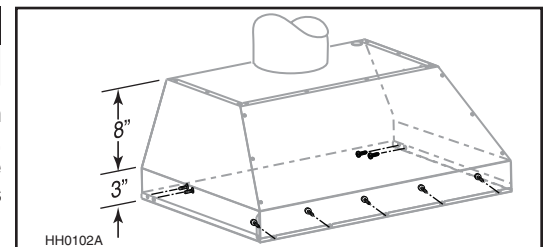
MODELO CP55IQ ÚNICAMENTE: Si el modelo CP55IQ es instalado con un juego para instalación sin tubos, instale el reductor de 8" a 7" (incluido en el juego para instalación sin tubos) antes de instalar este grupo de alimentación a su medida.

PRECAUCIÓN

Procure no doblar los tubos al instalar el grupo de alimentación.

Utilice los tornillos cromados n.º 8 x 1/2" provistos para instalar el grupo de alimentación en la campana. Empiece por los 2 tornillos en las esquinas delanteras; a continuación, utilice 4 tornillos para los lados y emplee los demás tornillos para sujetar el grupo de alimentación por delante (véase la figura de al lado para la ubicación exacta de los tornillos).

Compruebe que el adaptador o dispositivo de cierre (o el adaptador) se introduce en el tubo. Cuando hay acceso a la parte superior del grupo de alimentación, precinte las conexiones con cinta adhesiva metálica para tubos.

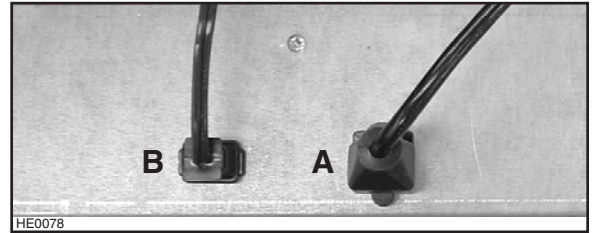


15. INSTALACIÓN DE LAS CONEXIONES DE LOS VENTILADORES EXTERIORES (SERIE CP57E ÚNICAMENTE)

⚠ ADVERTENCIA

No enchufe un cable en el otro.

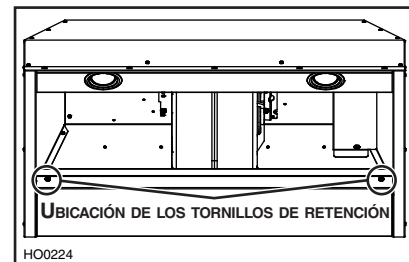
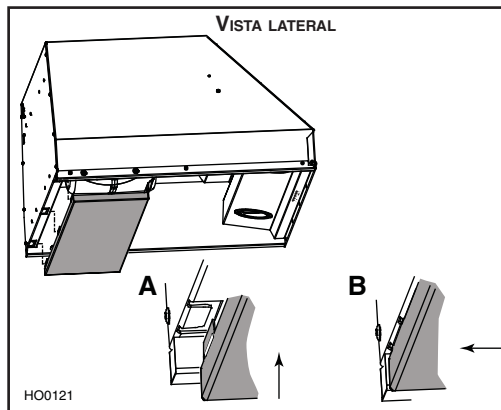
Para instalar el ventilador, véanse las instrucciones que vienen con él. Enchufe el cable con el enchufe de tres patillas que viene de la placa del ventilador en el conector macho de tres patillas dentro del grupo de alimentación (A) y el cable con conector macho de dos patillas que viene de la placa del ventilador en el enchufe de dos patillas dentro del grupo de alimentación (B).



16. REINSTALACIÓN DEL TABLERO INFERIOR

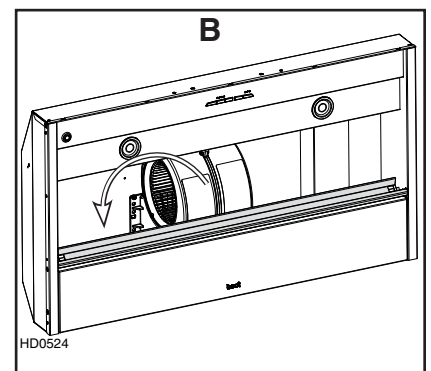
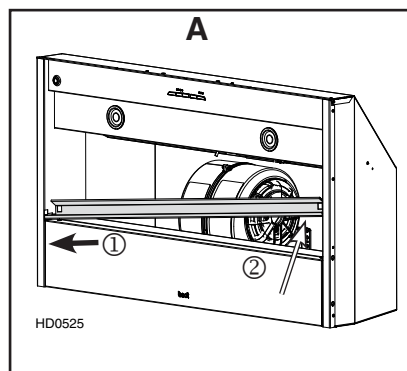
Levante el tablero inferior y encaje las aletas metálicas del grupo de alimentación en las ranuras del tablero inferior, como se ve en los detalles A y B de abajo.

Sujete el tablero inferior al grupo de alimentación con los tornillos que quitó en la etapa 7.



17. REINSTALACIÓN DEL RIEL DE VERTIDO DE LA GRASA

- A. Introduzca un extremo del riel en el lado (①) del grupo de alimentación levantando el otro extremo por encima del borde del tablero inferior (②).
- B. Centre el riel con respecto al borde del tablero inferior y encájelo.



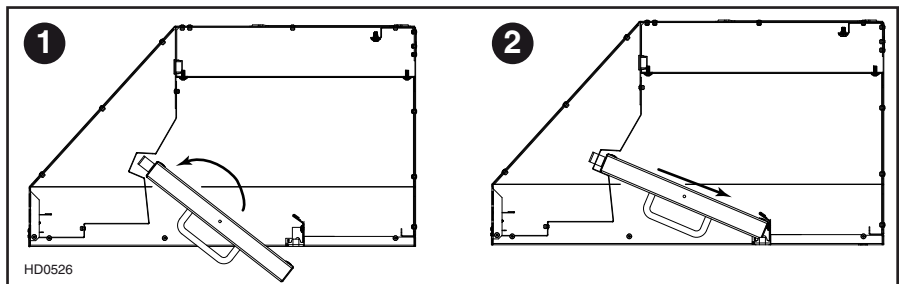
18. REINSTALACIÓN DE LOS FILTROS HÍBRIDOS

PRECAUCIÓN

Retire la película protectora de plástico que cubre los filtros híbridos antes de instalarlos.

Se aconseja instalar primero los filtros laterales y terminar por el o los centrales.

1. Introduzca un extremo del filtro híbrido en el canal delantero de la campana.
2. Levante el otro extremo hacia el interior del grupo de alimentación e introdúzcalo en el riel de vertido de la grasa del grupo de alimentación.



19. CALIBRACIÓN DEL VENTILADOR IQ™ (SERIES CP55IQ Y CP57IQT ÚNICAMENTE)

NOTA: La calibración es sólo para las instalaciones con tubos. No calibre las instalaciones sin tubos.

Después de instalar y cablear el grupo de alimentación, active el proceso de calibración (nuestra Tecnología de sistema de desempeño garantizado, para asegurar que se suministre el flujo de aire nominal total). Antes de la calibración, asegúrese de que todos los filtros, bombillas de luz y el sistema de conductos estén instalados.

PROCESO DE CALIBRACIÓN

Sostenga el botón de calibración durante 3 segundos; el botón se encenderá y estará así por 13 minutos. El ventilador arrancará y comenzará el proceso de calibración. Cuando se termine la calibración, ocurrirá una de dos cosas:

A. El ventilador se apaga y la luz del botón de calibración permanece encendida = Calibración exitosa. Presione el botón para apagar la luz LED.

NOTA: La luz LED también se apagará si selecciona alguna velocidad del ventilador en el control.

B. El ventilador se apaga y el botón de calibración destella continuamente = Demasiada restricción en los conductos impide que el ventilador IQ™ obtenga el flujo de aire nominal. El ventilador se configura automáticamente en su intensidad máxima.

NOTA: Elementos comunes que provocan restricciones: el alerón del regulador está restringido (regulador de contratiro, tapa de pared, tapa de techo) demasiados codos, tamaño de conducto menor del 80% de salida del grupo de alimentación, mala transición, uso de conductos flexibles y/o conductos aplastados.

Hay disponibles tres opciones si el sistema de grupo de alimentación tiene demasiada restricción:

1. Aceptar el flujo de aire como está. Presione el botón de calibración para aceptar el flujo de aire tal cual. El ventilador IQ™ está configurado ahora en el rendimiento más alto posible. La luz de calibración destellante se apaga.

NOTA: La luz LED también se apagará si selecciona alguna velocidad del ventilador en el control.

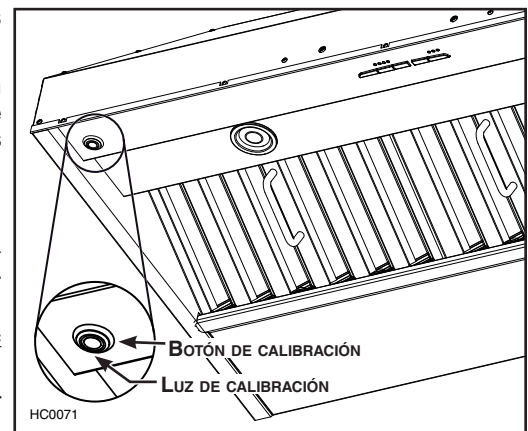
2. Corrija la instalación del conducto, despeje los datos de calibración originales y repita el proceso de calibración.

a. Corrija la restricción del conducto.

b. Despeje los datos de calibración originales manteniendo presionado el botón de calibración durante 10 segundos. La luz destellará 3 veces para confirmar y la configuración del ventilador regresará a los ajustes predeterminados.

c. Repita el proceso de calibración desde el principio.

3. Despeje los datos de calibración para reiniciar el grupo de alimentación a la configuración de fábrica y obtener un rendimiento estándar de alta presión del ventilador manteniendo presionado el botón de calibración durante 10 segundos. La luz destellará 3 veces para confirmar y la configuración del ventilador regresará a los ajustes predeterminados.



20. BOMBILLAS

Este grupo de alimentación está equipado con lámparas LED que no requieren mantenimiento.

ADVERTENCIA

No tocar las bombillas durante o justo después de la utilización. Pueden causar quemaduras.

21. USO Y CUIDADO

Filtros híbridos

Los filtros híbridos deben limpiarse con frecuencia. Utilice una disolución de detergente con agua templada. Lávelos con mayor frecuencia si su tipo de cocina genera más grasa (alimentos fritos o cocina con wok).

Retire los filtros empujándolos hacia la parte posterior del grupo de alimentación y girándolos hacia abajo. Las placas de los filtros pueden lavarse en el lavavajillas. Deje que los filtros sequen completamente antes de volver a instalarlos en el grupo de alimentación.

Limpie los filtros totalmente metálicos en el lavavajillas con un detergente sin fosfato. El filtro podría descolorarse si se utiliza un detergente con fosfato o debido al tipo de agua, pero esto no afecta su funcionamiento. Este descoloramiento no está cubierto por la garantía.

Riel de vertido de la grasa

El riel debe limpiarse con frecuencia. Sáquelo del grupo de alimentación (véase la etapa 6 en la página 47) y límpielo con una disolución de detergente con agua templada. Lávelo con mayor frecuencia si su tipo de cocina genera más grasa (alimentos fritos o cocina con wok). Deje que el riel seque completamente antes de volver a instalarlo en el grupo de alimentación.

Limpieza de los ventiladores interiores

Retire los filtros para tener acceso al ventilador o ventiladores. Limpie el ventilador con un aspirador. No lo sumerja en agua.

Limpieza del grupo de alimentación

Limpieza del acero inoxidable:

Debe hacerse:	No debe hacerse:
<ul style="list-style-type: none">• Limpiar regularmente las superficies con un trapo limpio humedecido con una mezcla de agua templada y jabón suave o detergente para la vajilla.• Limpiar siempre en la dirección de las líneas originales de pulido del acero.• Enjuagar siempre con agua limpia (2 o 3 veces) después de limpiar. Seque completamente.• También puede utilizar un limpiador doméstico especial para acero inoxidable.	<ul style="list-style-type: none">• Utilizar un estropajo de acero o acero inoxidable u otro tipo de rasquetas para quitar la suciedad resistente.• Utilizar limpiadores fuertes o abrasivos.• Dejar que la suciedad se acumule.• Dejar que el polvo del yeso u otros residuos de la construcción manchen la campana. Si efectúa obras de construcción o renovación, cubra la campana para que no se manche la superficie de acero inoxidable.

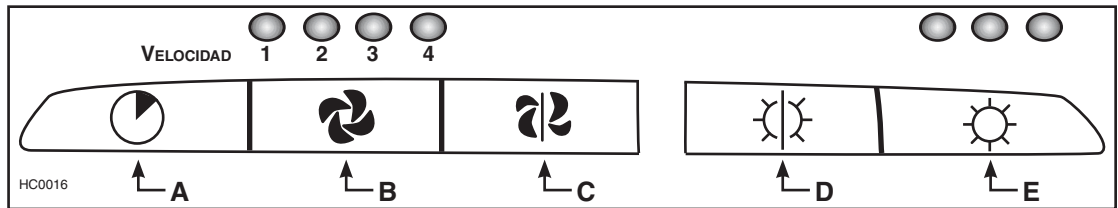
Al escoger un detergente, evite:

- Los limpiadores que contienen **blanqueador** (lejía), ya que dañarán el acero inoxidable.
- Los productos que contengan **cloruro, fluoruro, yoduro y bromuro**, ya que deterioran las superficies rápidamente.
- Los productos combustibles que se emplean para la limpieza, como **acetona, alcohol, éter, bencol**, etc., ya que son altamente explosivos y nunca deberían estar cerca de una cocina.

22. FUNCIONAMIENTO

Ponga en marcha siempre el ventilador antes de empezar a cocinar para generar una corriente de aire en la cocina. Deje en marcha el ventilador durante unos minutos para renovar el aire una vez que haya apagado la cocina.

- A) Interruptor de retardo del ventilador
- D) Apagado de la luz
- B) Encendido/
Control de velocidad del ventilador
- E) Apagado de la luz
- C) Encendido de la luz



A. INTERRUPTOR DE RETARDO DEL VENTILADOR:

Cuando el ventilador está en funcionamiento, pulse este interruptor para activar la función de retardo. El diodo indicador de velocidad correspondiente empezará a parpadear para indicar que esta función está activada. El ventilador seguirá funcionando durante 10 minutos y se detendrá automáticamente. Para cancelar la función de retardo, pulse de nuevo el interruptor de retardo del ventilador; el ventilador funcionará en modo normal.

NOTA: La velocidad del ventilador puede aumentarse o disminuirse cuando se está en modo retardo sin tener que empezar otro ciclo de 10 minutos.

B. ENCENDIDO/CONTROL DE VELOCIDAD DEL VENTILADOR:

Pulse este interruptor para poner en marcha el ventilador en la última velocidad que se seleccionó. Para cambiar la velocidad del ventilador pulse de nuevo en el interruptor hasta lograr la velocidad deseada. Mantenga presionado este botón durante 2 segundos para pasar a una velocidad inferior. Se puede pasar de 4 a 3, de 3 a 2, de 2 a 1 y de 1 a apagar el ventilador.

NOTAS: 1. Cada vez que presione en el control de velocidad del ventilador, la velocidad aumenta 1 nivel (p. ej., velocidad 1 a velocidad 2, velocidad 2 a velocidad 3 y así sucesivamente hasta la velocidad 4. De la velocidad 4 se pasa a la velocidad 1).

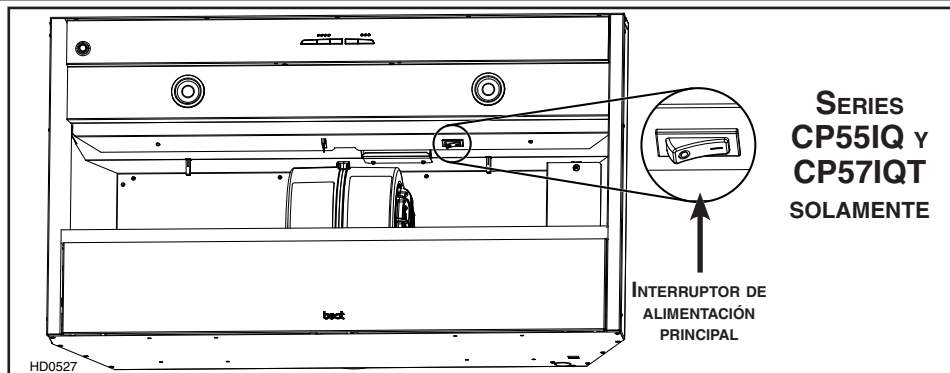
2. La última velocidad seleccionada se guarda en la memoria. No ocurre así con la carta velocidad, de manera que la próxima vez que se encienda el ventilador, funcionará en la velocidad 3. El nivel de velocidad memorizado también se sincroniza con el control remoto opcional.

HEAT SENTRY™

La campana viene equipada con un dispositivo protector que se activa cuando detecta un calor excesivo dentro de la campana. Mientras el dispositivo Heat Sentry está activado, este dispositivo toma el control del ventilador y selecciona la velocidad 4; la LED del botón de la velocidad 4 parpadeará. El ventilador seguirá encendido hasta que la temperatura vuelva a ser normal; entonces, volverá a la velocidad seleccionada anteriormente.

⚠ ADVERTENCIA

El termostato HEAT SENTRY puede poner en marcha el ventilador aunque la campana esté apagada. En este caso, resulta imposible apagar el ventilador con el interruptor del ventilador. Si tiene que apagar el ventilador de los modelos de la serie CP55IQ/CP57IQT: utilice el interruptor de alimentación principal situado detrás de los filtros, si puede hacerlo de manera segura (ver la ilustración a continuación). Para los modelos de la serie CP57E: hágalo en el tablero eléctrico principal.



C. INTERRUPTOR DE APAGADO DEL VENTILADOR/MANTENIMIENTO DE LOS FILTROS:

Pulse este interruptor para apagar el ventilador y anular la función de retardo (si está activada).

NOTA: Tras 30 horas de funcionamiento, todas las luces del ventilador parpadearán durante 30 segundos para indicar que hay que limpiar los filtros con el fin de que la campana funcione correctamente. Al presionar el botón OFF (apagado) se reinicia el código para indicar que se han realizado las tareas de mantenimiento.

D. APAGADO DE LA LUZ:

Pulse este interruptor para apagar la luz.

E. ENCENDIDO DE LA LUZ:

Presione este botón para encender las lámparas; los 3 diodos indicadores se encenderán también.

NOTA: Sólo hay un reglaje de las luces.

CONTROL REMOTO OPCIONAL:

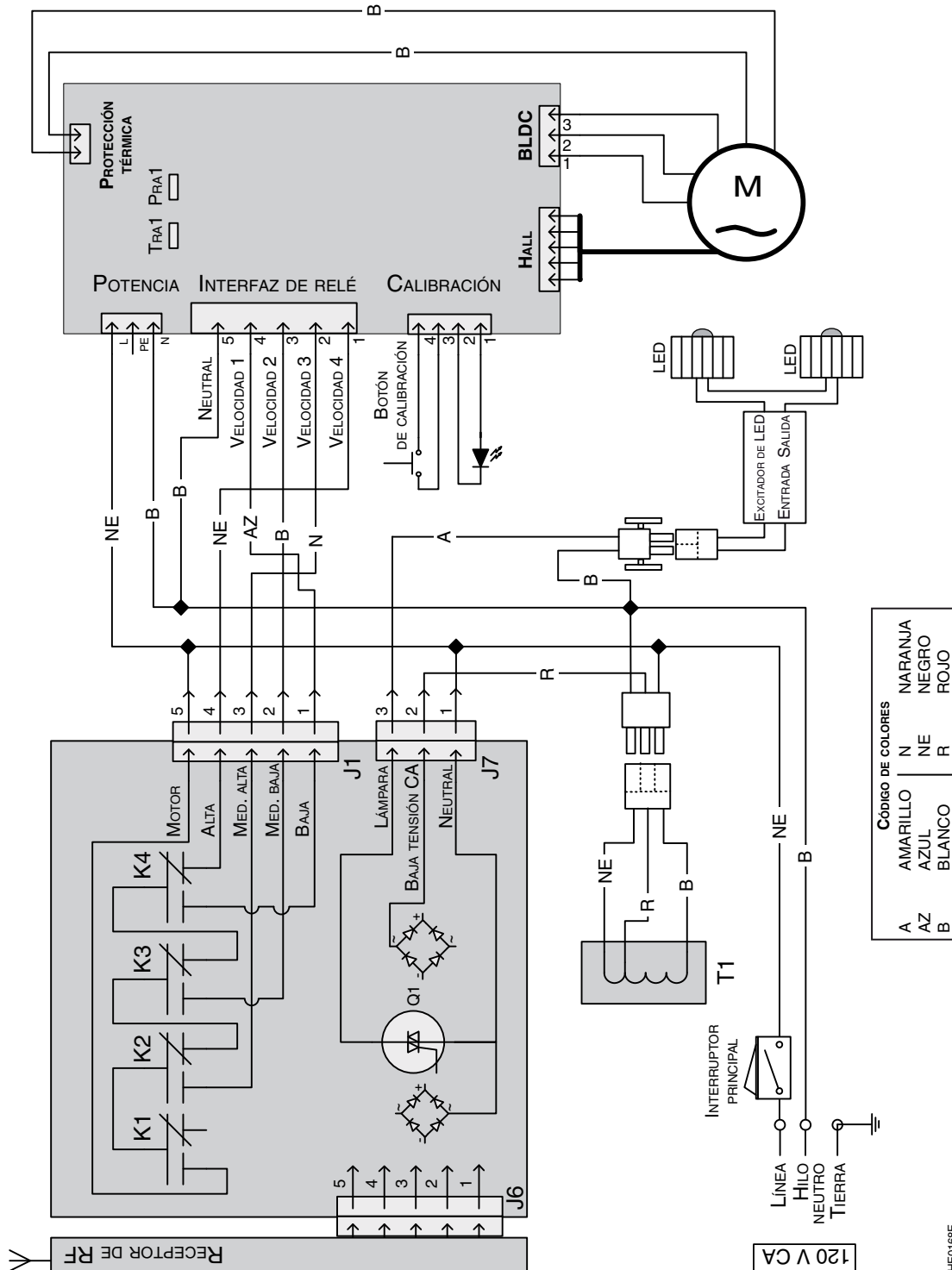
El grupo de alimentación también puede manejarse con el control remoto de la serie ACR (comprar por separado).

23. DIAGRAMAS ELÉCTRICOS

⚠ ADVERTENCIA

Riesgo de choque eléctrico. La conexión eléctrica debe hacerla personal competente con arreglo a los códigos y normas en vigor. Antes de conectar los hilos, corte la alimentación en el tablero de servicio y bloquee los medios de desconexión para impedir que la corriente se conecte accidentalmente.

Serie CP55IQ de Best (un solo ventilador)



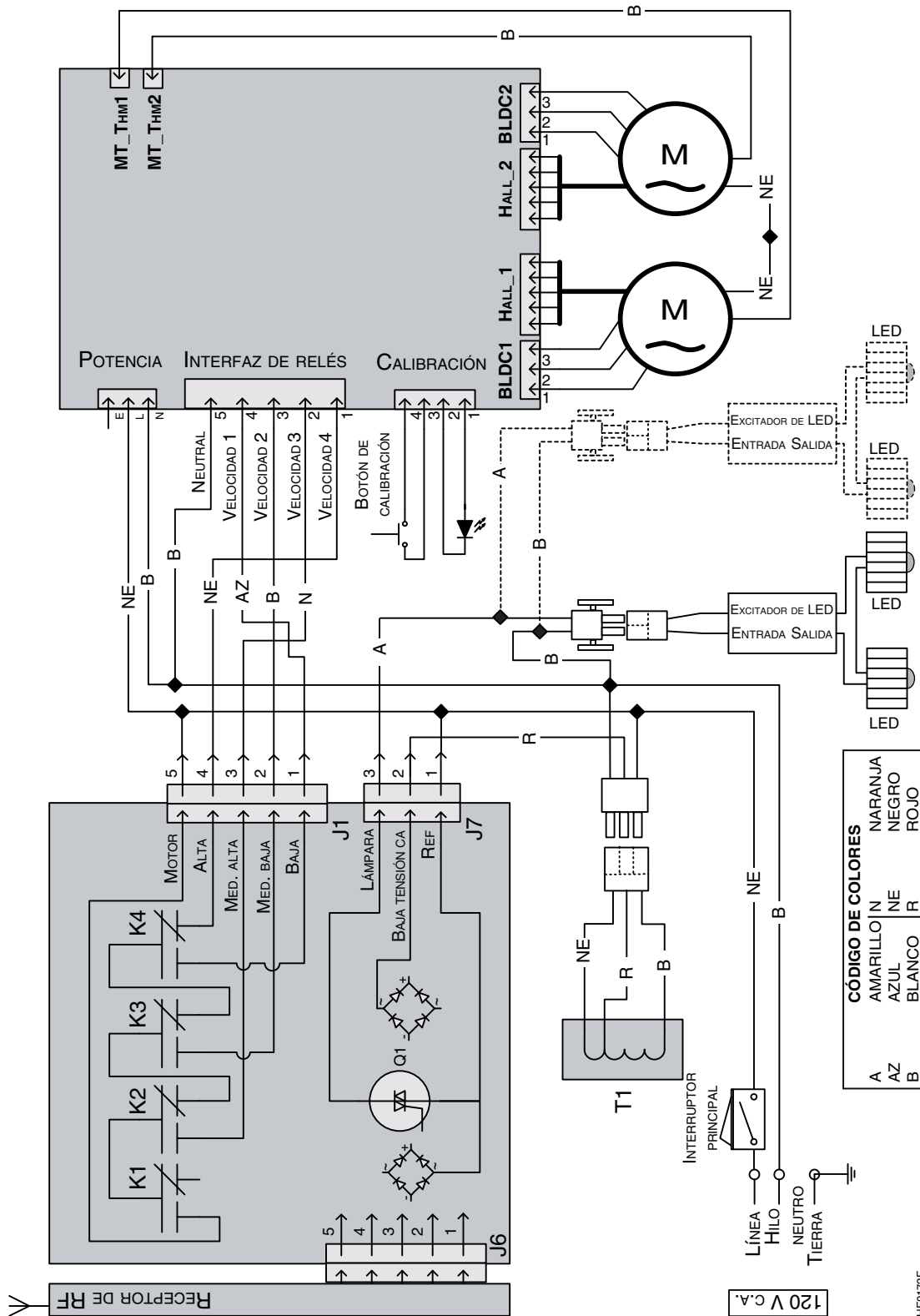
HE0168E

23. DIAGRAMAS ELÉCTRICOS (CONTINUACIÓN)

⚠ ADVERTENCIA

Riesgo de choque eléctrico. La conexión eléctrica debe hacerla personal competente con arreglo a los códigos y normas en vigor. Antes de conectar los hilos, corte la alimentación en el tablero de servicio y bloquee los medios de desconexión para impedir que la corriente se conecte accidentalmente.

Serie CP571QT de Best (ventilador doble)

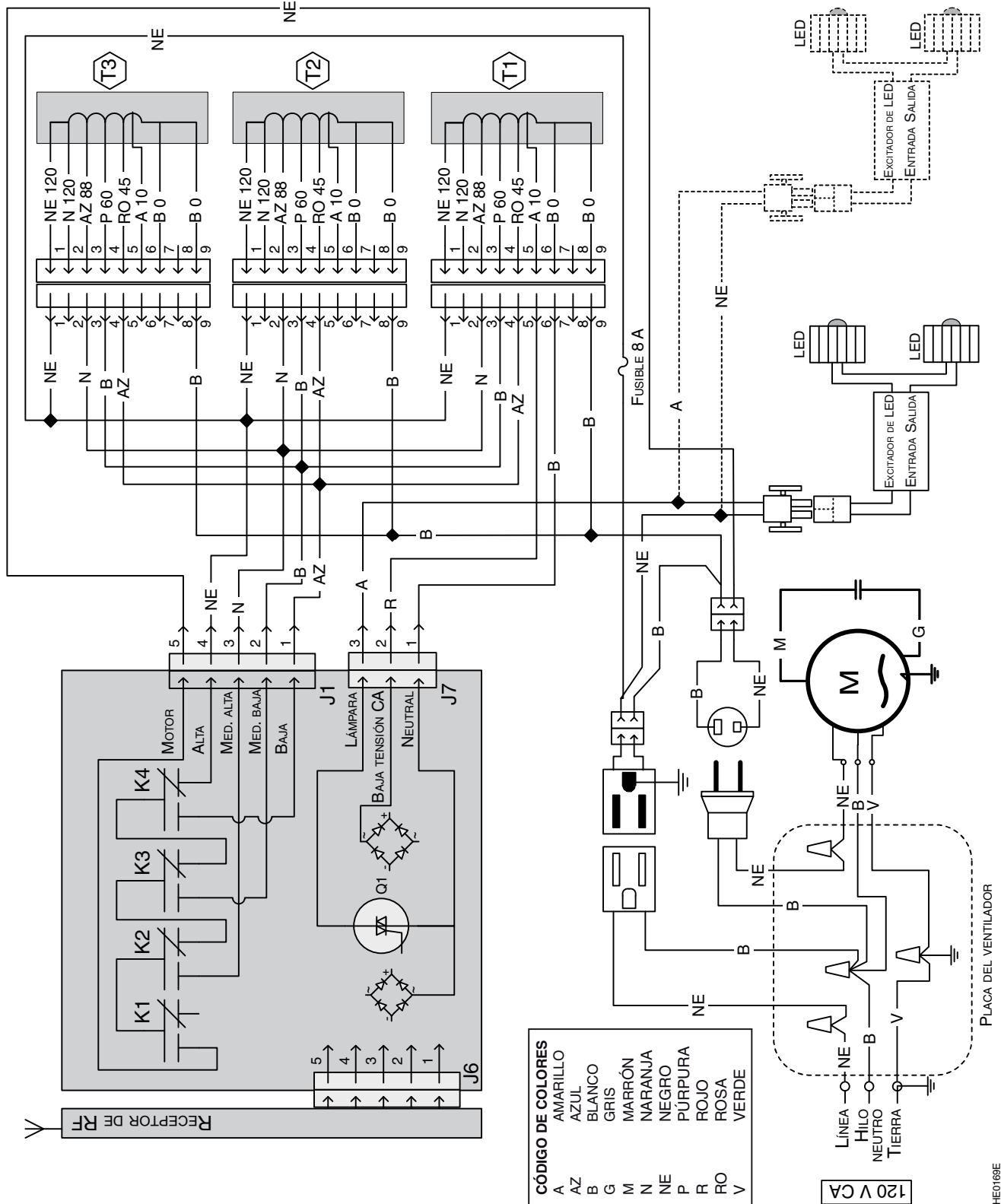


23. DIAGRAMAS ELÉCTRICOS (CONTINUACIÓN)

⚠ ADVERTENCIA

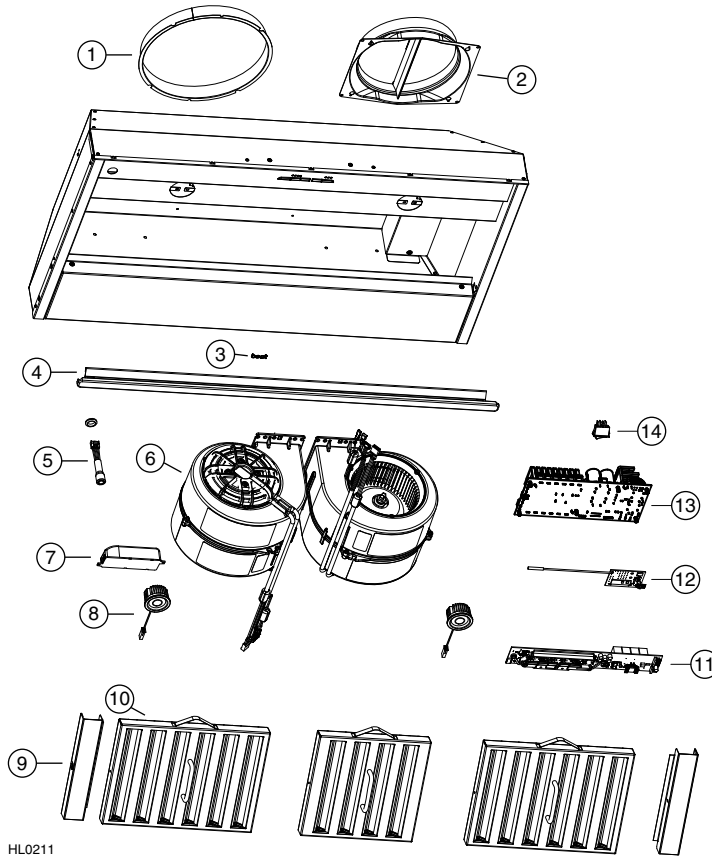
Riesgo de choque eléctrico. La conexión eléctrica debe hacerla personal competente con arreglo a los códigos y normas en vigor. Antes de conectar los hilos, corte la alimentación en el tablero de servicio y bloquee los medios de desconexión para impedir que la corriente se conecte accidentalmente.

Serie CP57E de Best



24. PIEZAS

Series CP55IQ y CP57IQT de Best



HL0211

SUSTITUCIÓN DE PIEZAS Y REPARACIÓN

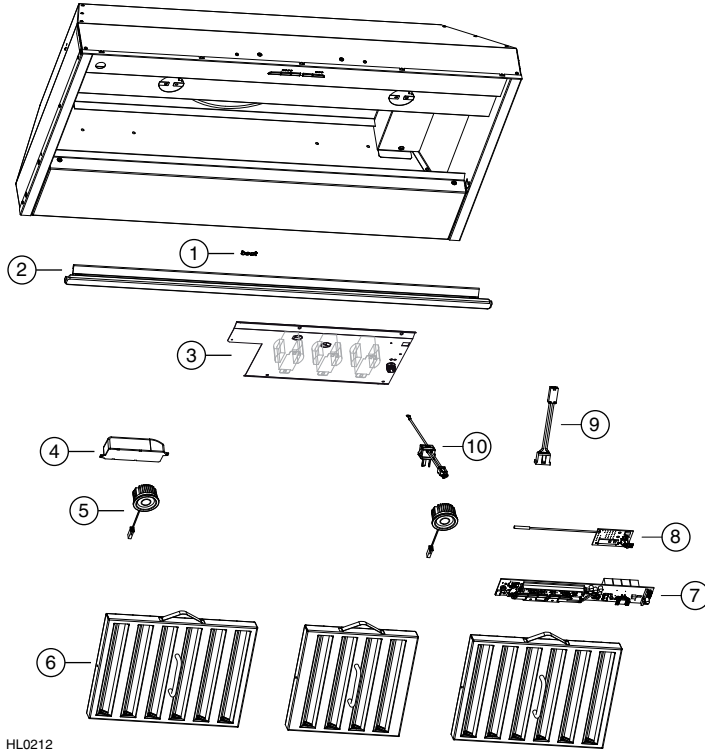
Para que la unidad se conserve en buen estado, debe usar repuestos genuinos de Broan-NuTone únicamente. Estas piezas se han diseñado especialmente para cada unidad y se han fabricado conforme a las normas de certificación aplicables y un elevado nivel de seguridad. El uso de repuestos de otros fabricantes podría causar daños graves y reducir radicalmente el desempeño de la unidad, causando así fallas prematuras. Broan-NuTone también aconseja ponerse en contacto con un taller de reparación homologado por Broan-NuTone para todos los repuestos y reparaciones.

N.º	N.º DE PIEZA	DESCRIPCIÓN	CANTIDAD (ANCHURA DE GRUPO DE ALIMENTACIÓN)					
			36"	42"	48"	54"	60"	66"
1	SV08541	ADAPTADOR REDONDO DE 10" (PARA LA SERIE CP57IQT)	1	-	1	1	1	1
2	SV08543	ADAPTADOR O DISPOSITIVO DE CIERRE REDONDO DE 8" (PARA LA SERIE CP55IQ)	1	1	-	-	-	-
3	SV05869	LOGOTIPO DE BEST	1	1	1	1	1	1
4	SV17871	RIEL DE VERTIDO DE LA GRASA, 36"	1	-	-	-	-	-
	SV17872	RIEL DE VERTIDO DE LA GRASA, 42"	-	1	-	-	-	-
	SV17873	RIEL DE VERTIDO DE LA GRASA, 48"	-	-	1	-	-	-
	SV17874	RIEL DE VERTIDO DE LA GRASA, 54"	-	-	-	1	-	-
	SV17875	RIEL DE VERTIDO DE LA GRASA, 60"	-	-	-	-	1	-
	SV17876	RIEL DE VERTIDO DE LA GRASA, 66"	-	-	-	-	-	1
5	SV20817	BOTÓN DE CALIBRACIÓN	1	1	1	1	1	1
6	S97018985	VENTILADOR BLDC (PARA LA SERIE CP55IQ)	1	1	-	-	-	-
		VENTILADOR BLDC (PARA LA SERIE CP57IQT)	2	-	2	2	2	2
7	SV21414	EXCITADOR DE LED Y EXTENSIÓN DEL ARNÉS DE LA LUZ LED	1	1	1	2	2	2
8	SV21413	MÓDULO DE LED	2	2	2	4	4	4
9	SV61691	RELLENO DE FILTRO (PAR)	-	1	-	-	-	1
10	SV61639	FILTRO CON MALLA + MANIJA 8,84" x 9,80" x 1"	1	4	5	3	1	-
	SV61640	FILTRO CON MALLA + MANIJA 11,84" x 9,80" x 1"	2	-	-	2	4	5
11	SV21411	PLACA DE CIRCUITOS IMPRESOS PARA CONTROL DEL VENTILADOR INTERNO	1	1	1	1	1	1
12	SV20816	PLACA DE CIRCUITOS IMPRESOS PARA EL CONTROL REMOTO	1	1	1	1	1	1
13	SV21416	ACTIVADOR ELECTRÓNICO (PARA LA SERIE CP55IQ)	1	1	-	-	-	-
	SV20818	ACTIVADOR ELECTRÓNICO (PARA LA SERIE CP57IQT)	1	-	1	1	1	1
14	SV08548	INTERRUPTOR OSCILANTE, NEGRO	1	1	1	1	1	1
*	SV21418	ARNÉS ELÉCTRICO (PARA LA SERIE CP55IQ)	1	1	-	-	-	-
*	SV20824	ARNÉS ELÉCTRICO (PARA LA SERIE CP57IQT)	1	-	1	1	1	1
*	SV09022	TRANSFORMADOR 120 V. C.A., 9 V. C.C.	1	1	1	1	1	1
*	SV08542	DISPOSITIVO DE CIERRE VERTICAL, REDONDO, EN LÍNEA DE 10" (PARA LA SERIE CP57IQT)	1	-	1	1	1	1
*	SV21422	GUÍA DE INSTALACIÓN	1	1	1	1	1	1
*	SV08545	BOLSA DE PIEZAS: 2 CONECTADORES DE HILOS, 1 ABRAZADERA DE HILOS, 4 TORNILLOS N.º 8 x 3/8"; 9 TORNILLOS CROMADOS N.º 8 DE 1/2"; 10 TORNILLOS MECÁNICOS N.º 8-32 x 1/4"	1	1	1	1	1	1

* NO SE MUESTRAN.

24. PIEZAS (CONTINUACIÓN)

Serie CP57E de Best



HL0212

SUSTITUCIÓN DE PIEZAS Y REPARACIÓN

Para que la unidad se conserve en buen estado, debe usar repuestos genuinos de Broan-NuTone únicamente. Estas piezas se han diseñado especialmente para cada unidad y se han fabricado conforme a las normas de certificación aplicables y un elevado nivel de seguridad. El uso de repuestos de otros fabricantes podría causar daños graves y reducir radicalmente el desempeño de la unidad, causando así fallas prematuras. Broan-NuTone también aconseja ponerse en contacto con un taller de reparación homologado por Broan-NuTone para todos los repuestos y reparaciones.

N.º	N.º DE PIEZA	DESCRIPCIÓN	CANTIDAD (ANCHURA DEL GRUPO DE ALIMENTACIÓN)		
			36"	48"	60"
1	SV05869	LOGOTIPO DE BEST	1	1	1
2	SV17871	RIEL DE VERTIDO DE LA GRASA, 36"	1	-	-
	SV17873	RIEL DE VERTIDO DE LA GRASA, 48"	-	1	-
	SV17875	RIEL DE VERTIDO DE LA GRASA, 60"	-	-	1
3	SV61659	AUTOTRANSFORMADOR Y FUSIBLE (SOPORTE METÁLICO INCLUIDO)	1	1	1
4	SV21414	EXCITADOR DE LED Y EXTENSIÓN DEL ARNÉS DE LA LUZ LED	1	1	2
5	SV21413	MÓDULO DE LED	2	2	4
6	SV61639	FILTRO CON MALLA + MANIJA 8,84" x 9,80" x 1"	1	5	1
	SV61640	FILTRO CON MALLA + MANIJA 11,84" x 9,80" x 1"	2	-	4
7	SV21412	PLACA DE CIRCUITOS IMPRESOS PARA CONTROL DEL VENTILADOR EXTERNO	1	1	1
8	SV20816	PLACA DE CIRCUITOS IMPRESOS PARA EL CONTROL REMOTO	1	1	1
9	SV13923	CONECTADOR HEMBRA	1	1	1
10	SV13924	CONECTADOR MACHO	1	1	1
*	SV20825	ARNÉS ELÉCTRICO (PARA LA SERIE CP57E)	1	1	1
*	SV21422	GUÍA DE INSTALACIÓN	1	1	1
*	SV08545	BOLSA DE PIEZAS: 2 CONECTADORES DE HILOS, 1 ABRAZADERA DE HILOS, 4 TORNILLOS N.º 8 x 3/8", 9 TORNILLOS CROMADOS N.º 8 DE 1/2", 10 TORNILLOS MECÁNICOS N.º 8-32 x 1/4"	1	1	1

* NO SE MUESTRAN.

25. GARANTÍA

GARANTÍA LIMITADA DE UN AÑO

Broan-Nu Tone LLC ("Broan-Nu Tone") garantiza al comprador original de sus productos que éstos carecen de defectos en los materiales o de mano de obra por un período de un año a partir de la fecha de compra original. NO EXISTEN OTRAS GARANTÍAS, EXPRESAS O IMPLÍCITAS, INCLUYENDO, ENTRE OTRAS, LAS GARANTÍAS IMPLÍCITAS, DE COMERCIABILIDAD O IDONEIDAD PARA UN PROPÓSITO PARTICULAR.

Durante el período de un año, y según su propio criterio, Broan-NuTone reparará o reemplazará sin costo todo producto o pieza que se considere defectuoso en condiciones normales de servicio y uso.

ESTA GARANTÍA NO SE APLICA A LOS CEBADORES, TUBOS Y BOMBILLAS DE LAS LÁMPARAS FLUORESCENTES, A LOS FUSIBLES, FILTROS, TUBOS, CAPUCHONES PARA TEJADOS, CAPUCHONES MURALES Y OTROS ACCESORIOS DE CANALIZACIÓN. Esta garantía no cubre: a) el mantenimiento y servicios normales ni b) ningún producto o pieza mal utilizados o que hayan sido objeto de negligencia, accidente, mantenimiento o reparación inadecuados (por compañías distintas a Broan-Nu Tone), instalación defectuosa, o instalación no conforme a las instrucciones de instalación recomendadas.

La duración de cualquier garantía implícita se limita a un período de un año, como se indica en la garantía expresa. Algunos estados o provincias no permiten limitaciones en cuanto al tiempo de expiración de una garantía implícita, por lo que la limitación antes mencionada puede que no se aplique en su caso.

LA OBLIGACIÓN DE BROAN-NU TONE DE REPARAR O REEMPLAZAR, CON ARREGLO A SU PROPIO CRITERIO, SERÁ EL ÚNICO RECURSO LEGAL DEL COMPRADOR CONFORME A ESTA GARANTÍA. BROAN-NU TONE NO SE HACE RESPONSABLE DE LOS DAÑOS ADICIONALES, CONSECUENTES O ESPECIALES QUE SURJAN O ESTÉN RELACIONADOS CON EL USO O EL RENDIMIENTO DEL PRODUCTO. Algunos estados o provincias no permiten la exclusión o limitación de daños adicionales o consecuentes, por lo que la limitación o exclusión antes mencionada puede que no se aplique en su caso.

Esta garantía le proporciona derechos legales específicos, aunque usted también puede tener otros derechos, que varían de un estado a otro, o de una provincia a otra. Cualquier modificación hecha en este producto sin la autorización de Broan-Nu Tone anulará esta garantía. Esta garantía reemplaza todas las garantías anteriores.

Para tener derecho al servicio de garantía, debe usted: (a) Informar a Broan-Nu Tone, en la dirección o teléfono que aparecen abajo; (b) Dar el número de modelo y el número de identificación de la pieza y (c) Describir el tipo de defecto en el producto o pieza. En el momento de solicitar un servicio cubierto por la garantía, deberá presentar una prueba de la fecha de compra original.

Best®, 926 W. State Street, Hartford, WI 53027 (1-800-637-1453)

Best®, 550 Lemire Blvd., Drummondville, QC, Canada (1-866-737-7770)

www.bestrangehoods.com



7 72371 12754 8