

best®



PK22 AND PKEX22 SERIES

⚠ INTENDED FOR DOMESTIC COOKING ONLY ⚠

READ AND SAVE THESE INSTRUCTIONS

INSTALLER: LEAVE THIS MANUAL WITH HOMEOWNER.
HOMEOWNER: USE AND CARE INFORMATION ON PAGES 11 TO 13.

BEST; Hartford, Wisconsin www.BestRangeHoods.com 800-558-1711
BEST; Drummondville, QC, Canada www.BestRangeHoods.com 866-737-7770

To register your product online or for additional information visit www.BestRangeHoods.com

WARNING

TO REDUCE THE RISK OF FIRE, ELECTRIC SHOCK OR INJURY TO PERSONS, OBSERVE THE FOLLOWING:

1. Use this unit only in the manner intended by the manufacturer. If you have questions, contact the manufacturer at the address or telephone number listed in the warranty.
2. Before servicing or cleaning unit, switch power off at service panel and lock service disconnecting means to prevent power from being switched on accidentally. When the service disconnecting means cannot be locked, securely fasten a prominent warning device, such as a tag, to the service panel.
3. Installation work and electrical wiring must be done by qualified personnel in accordance with all applicable codes and standards, including fire-rated construction codes and standards.
4. Sufficient air is needed for proper combustion and exhausting of gases through the flue (chimney) of fuel burning equipment to prevent backdrafting. Follow the heating equipment manufacturer's guidelines and safety standards such as those published by the National Fire Protection Association (NFPA) and the American Society for Heating, Refrigeration and Air Conditioning Engineers (ASHRAE) and the local code authorities.
5. When cutting or drilling into wall or ceiling, do not damage electrical wiring and other hidden utilities.
6. Ducted fans must always be vented to the outdoors.
7. Do not use this unit with any solid-state speed control device.
8. To reduce the risk of fire, use only metal ductwork.
9. This unit must be grounded.
10. When applicable local regulations comprise more restrictive installation and/or certification requirements, the aforementioned requirements prevail on those of this document and the installer agrees to conform to these at his own expenses.

TO REDUCE THE RISK OF A RANGE TOP GREASE FIRE:

- a) Never leave surface units unattended at high settings. Boilovers cause smoking and greasy spillovers that may ignite. Heat oils slowly on low or medium settings.
- b) Always turn power pack ON when cooking at high heat or when flambeing food (i.e.: Crêpes Suzette, Cherries Jubilee, Peppercorn Beef Flambé).
- c) Clean ventilating fans frequently. Grease should not be allowed to accumulate on fan, filters or in exhaust ducts.
- d) Use proper pan size. Always use cookware appropriate for the size of the surface element.

TO REDUCE THE RISK OF INJURY TO PERSONS IN THE EVENT OF A RANGE TOP GREASE FIRE, OBSERVE THE FOLLOWING*:

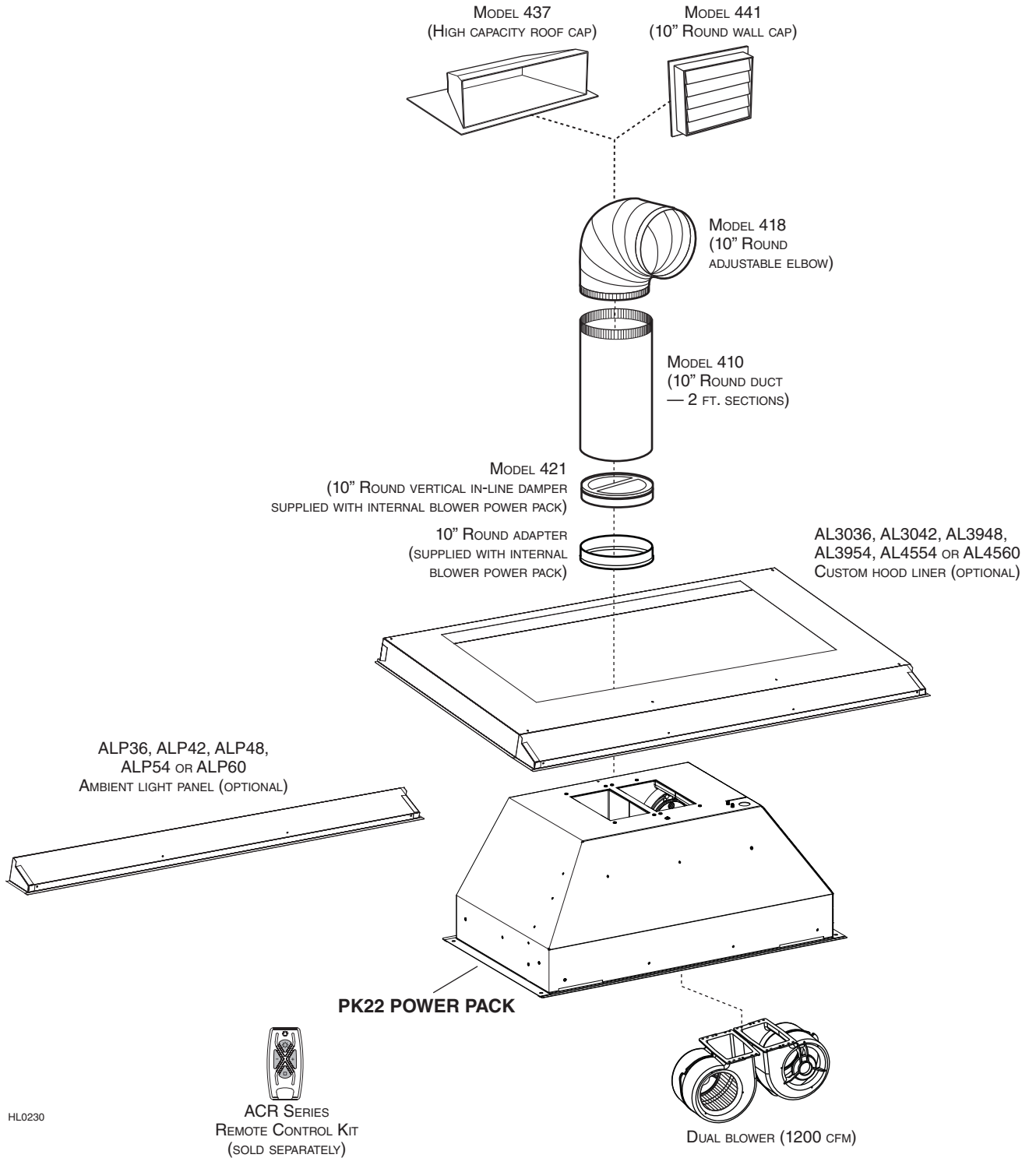
1. SMOTHER FLAMES with a close-fitting lid, cookie sheet or metal tray, then turn off the burner. BE CAREFUL TO PREVENT BURNS. IF THE FLAMES DO NOT GO OUT IMMEDIATELY, EVACUATE AND CALL THE FIRE DEPARTMENT.
2. NEVER PICK UP A FLAMING PAN — You may be burned.
3. DO NOT USE WATER, including wet dishcloths or towels — This could cause a violent steam explosion.
4. Use an extinguisher ONLY if:
 - A. You own a Class ABC extinguisher and you know how to operate it.
 - B. The fire is small and contained in the area where it started.
 - C. The fire department has been called.
 - D. You can fight the fire with your back to an exit.

* Based on "Kitchen Fire Safety Tips" published by NFPA.

CAUTION

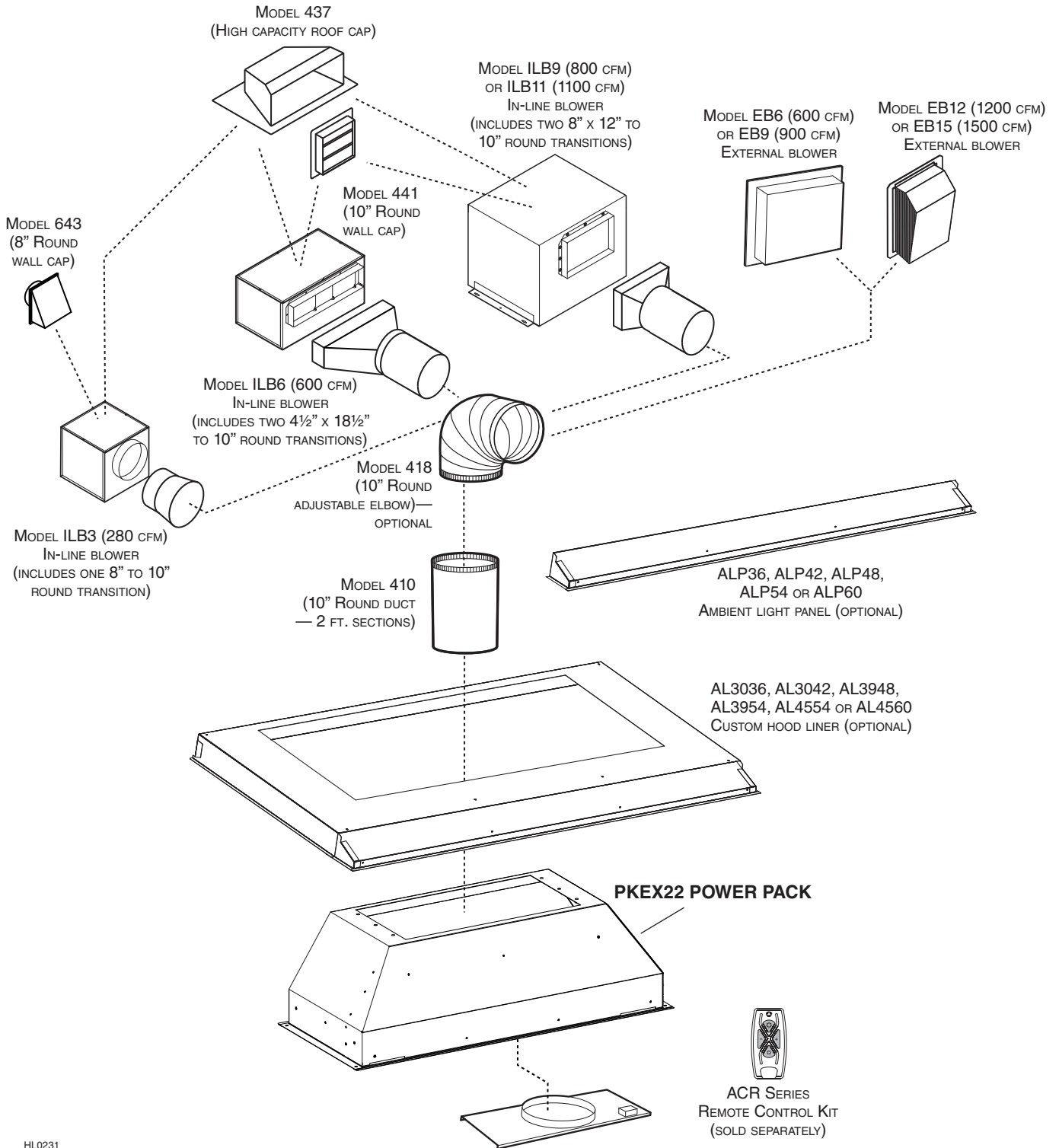
1. For indoor use only.
2. For general ventilating use only. Do not use to exhaust hazardous or explosive materials and vapors.
3. To avoid motor bearing damage and noisy and/or unbalanced impellers, keep drywall spray, construction dust, etc. off power unit.
4. Your power pack motor has a thermal overload which will automatically shut off the motor if it becomes overheated. The motor will restart when it cools down. If the motor continues to shut off and restart, have the power pack serviced.
5. The minimum power pack distance above cooktop must not be less than 24". A maximum of 30" above cooktop is recommended for best capture of cooking impurities.
6. Two installers are recommended because of the large size and weight of this unit.
7. To reduce the risk of fire and to properly exhaust air, be sure to duct air outside — Do not exhaust air into spaces within walls or ceiling or into attics, crawl space or garage.
8. This product is equipped with a thermostat which may start blower automatically. To reduce the risk of injury and to prevent power from being switched on accidentally, switch power off at service panel and lock or tag service panel.
9. Because of the high exhausting capacity of this unit, you should make sure enough air is entering the house to replace exhausted air by opening a window close to or in the kitchen.
10. To reduce the risk of fire and electrical shock, the Best models PK22 series should only be installed with their own built-in blowers, and the Best models PKEX22 Series must only be installed with Best external blower models EB6, EB9, EB12 or EB15; or Best in-line blowers models ILB3, ILB6, ILB9, ILB11. Other blowers cannot be substituted.
11. PKEX22 models used with ILB3, ILB6 or EB6 blower, must be installed over ranges rated 60,000 Btu/hr. maximum.
12. Please read specification label on product for further information and requirements.
13. This power pack is equipped with a RF receiver (optional remote control sold separately). Changes or modifications not expressly approved by the party responsible for compliance could void the user's authority to operate this product. The remote control has been tested and found to comply with the limits for a Class B digital device, pursuant to part 15 of the FCC Rules and the Canadian ICES-003. These limits are designed to provide reasonable protection against harmful interference in a residential installation. The remote control generates, uses and can radiate radio frequency energy and, if not installed and used in accordance with the instructions, may cause harmful interference to radio communications. However, there is no guarantee that interference will not occur in a particular installation. If this equipment does cause harmful interference to radio or television reception, which can be determined by turning the equipment off and on, the user is encouraged to try to correct the interference by one or more of the following measures:
 - Reorient or relocate the receiving antenna
 - Increase the separation between the equipment and receiver
 - Connect the equipment into an outlet on a circuit different from that to which the receiver is connected

- PK22 POWER PACK SYSTEM -



HL0230

- PKEX22 POWER PACK SYSTEM -



HL0231

IN-LINE AND EXTERNAL BLOWER ROUGH-IN KIT
(INCLUDED WITH EB6, EB9, EB12, EB15,
ILB3, ILB6, ILB9 AND ILB11 BLOWERS.)

1. INSTALL DUCTWORK AND ELECTRICAL WIRING

For a PKEX22 series power pack, either an external blower or in-line blower must be used. The PKEX22 series power pack must be installed with blower models ILB3, ILB6, ILB9, ILB11, EB6, EB9, EB12 or EB15 only. Other blowers cannot be substituted (blowers sold separately.)

If installing external or in-line blower, refer to instructions packed with blower and follow steps 1 to 6, 11 to 16, 18 and up of this manual.

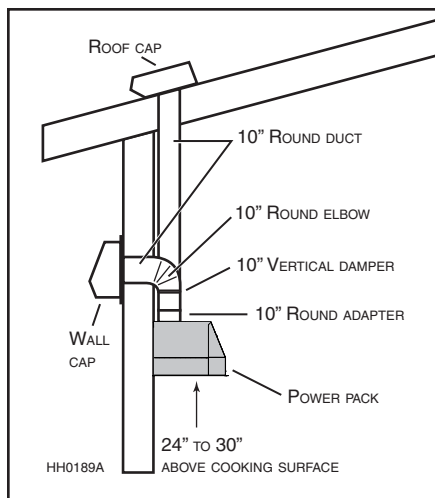
Plan where and how the ductwork will be installed.

A straight, short duct run will allow the power pack to perform most efficiently. Long duct runs, elbows and transitions will reduce the performance of the power pack. Use as few of them as possible. Larger ducting may be required for longer duct runs.

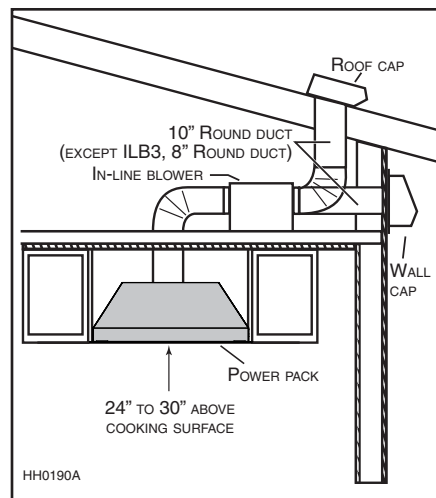
Install proper-sized ductwork, elbows and roof or wall cap for the type of blower you are installing. Connect metal ductwork to cap and work back towards the hood location. Use 2" metal foil duct tape to seal the joints.

The minimum power pack distance above cooktop must not be less than 24". A maximum of 30" above cooktop is recommended for best capture of cooking impurities.

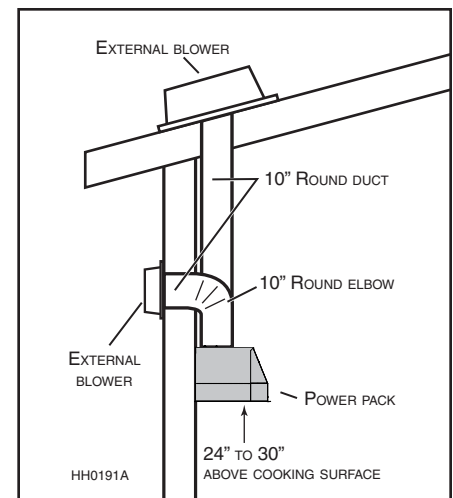
Distances over 30" are at the installer and users discretion.



**PK22 DUAL INTERNAL BLOWER
TYPICAL DUCTWORK**



**PKEX22
IN-LINE BLOWER TYPICAL DUCTWORK
(BLOWER LOCATION IS SHOWN
FOR REFERENCE ONLY)**



**PKEX22 EXTERNAL BLOWER
TYPICAL DUCTWORK**

NOTE: For external blowers mounted in close proximity to power pack, sound level may be higher than specified for internal blowers.

2. PREPARE THE INSTALLATION

⚠ WARNING

When performing installation, servicing or cleaning the unit, it is recommended to wear safety glasses and gloves.

NOTE: Before proceeding to the installation, check the contents of the box. If items are missing or damaged, contact the manufacturer.

Make sure that the following items are included:

- Power pack
- Installation instructions
- Accessories:
 - 2 Hybrid baffle filters with handles
 - Shielded halogen bulbs (120 V, 50 W with GU10 base) (2 for 30" and 39" width power packs, 3 for 45" width power pack)
 - 10" round adapter and 10" round damper (included with PK22 power pack series only, not with PKEX22 series)
 - Bag of parts including: 1 wire clamp, 2 wire connectors, 2 no. 8 x 3/8" screws, 6 no. 8-18 x 1 1/4" chrome plated screws. If applicable, discard extra screws.

2. PREPARE THE INSTALLATION (CONT'D)

Parts sold separately:

- In-line blower assembly model ILB3, ILB6, ILB9 or ILB11.
- External blower assembly model EB6, EB9, EB12 or EB15.
- Custom hood liner model AL3036, AL3042, AL3948, AL3954, AL4554 or AL4560 (optional).
- Ambient light panel model ALP36, ALP42, ALP48, ALP54 or ALP60 (optional).
- ACR Series remote control (optional).
- Ducts, elbows, wall or roof caps. Refer to pages 3 and 4 for a complete list of venting options and model numbers.
- 10" round adapter with rough-in plate kit for PKEX22 series models (included with in-line or external blower kits).

NOTE: During installation, protect countertop and/or cooktop.

3. PREPARE CUSTOM HOOD

⚠ WARNING

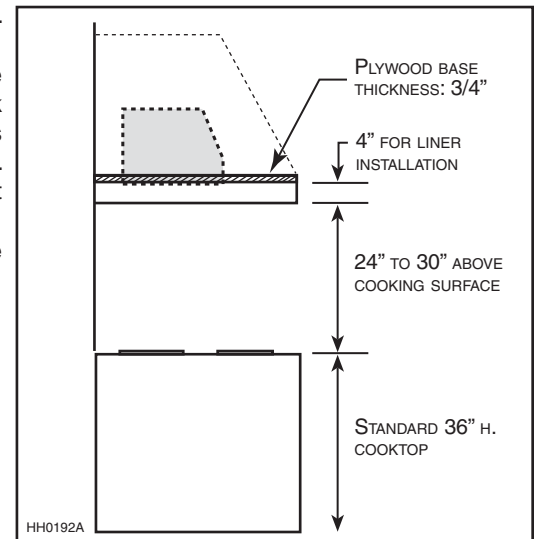
- When building a custom hood, always follow all applicable construction codes and standards.
- Make sure the cabinet is capable of supporting its own weight and the weight of the power pack. Failure to do so may cause personal injury or damage to countertop or cooktop.

The custom hood must be constructed to fit the size and shape of the power pack. Proper structural support is required to accommodate the weight of the hood.

Start with the custom hood base, because its position will determine the height of the power pack. We recommend the base of the custom hood should be 3/4-inch thick plywood. If an optional custom hood liner will be installed, we recommend the sides and front of the custom hood to be 3/4-inch thick, assuming standard cabinet width. If the optional custom hood liner will not be installed, the custom hood side and front thickness is at the installer's discretion.

Run power cable to installation location. Stub out a 4-foot length of electrical cable below the custom hood.

POWER PACK WIDTH	WITH INTERNAL BLOWER	WITH IN-LINE OR EXTERNAL BLOWER
30"	50 LB.	-
39"	54 LB.	36 LB.
45"	57 LB.	39 LB.



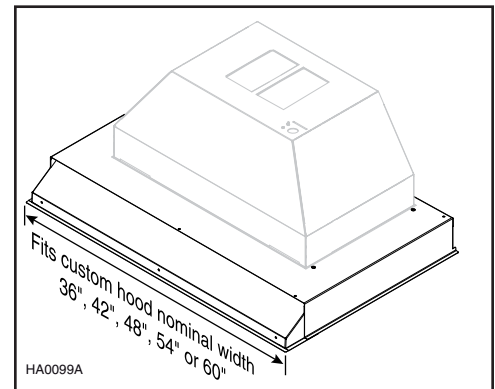
4. INSTALL CUSTOM HOOD LINER (OPTIONAL)

The liners are especially designed to protect the exterior base of the custom hood. Refer to the table below to find the right liner model number for your power pack and custom hood width. To view specifications, including depth for each liner model, visit www.BestRangeHoods.com or contact Technical support (phone number listed on page 13, in warranty text).

To install, see instructions packed with custom hood liner. The liner must be installed before the power pack.

NOTE: On some liner models, the front liner piece may overlap the power pack front flange. If so, remove the front liner piece, assemble power pack, and reassemble the front liner piece.

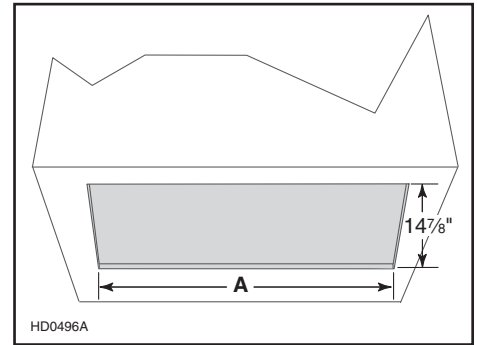
LINER MODEL	POWER PACK MODEL	CUSTOM HOOD NOMINAL WIDTH
AL3036	PK2230	36"
AL3042	PK2230	42"
AL3948	PK2239/PKEX2239	48"
AL3954	PK2239/PKEX2239	54"
AL4554	PK2245/PKEX2245	54"
AL4560	PK2245/PKEX2245	60"



5. CUT HOLE IN CUSTOM HOOD BASE

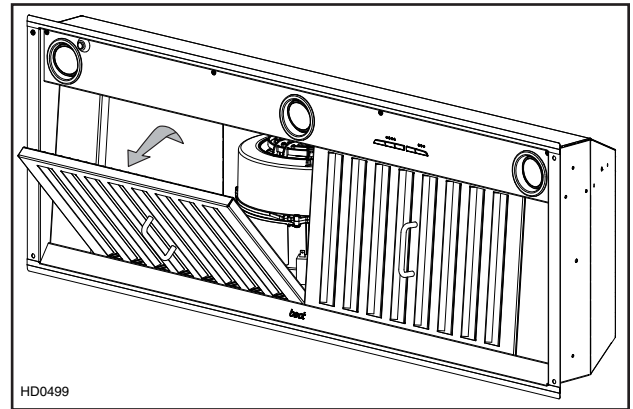
If it is not done yet, cut a hole in the bottom of the cabinet, using the dimensions shown below.

POWER PACK WIDTH	A
30"	26 ³ / ₁₆ "
39"	34 ¹⁵ / ₁₆ "
45"	41 ⁷ / ₈ "



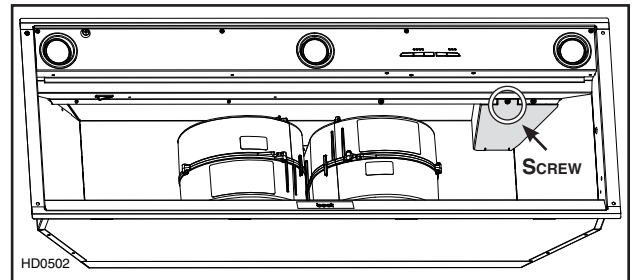
6. REMOVE HYBRID BAFFLE FILTERS

Remove tape on filters. Remove filters from power pack and set aside.



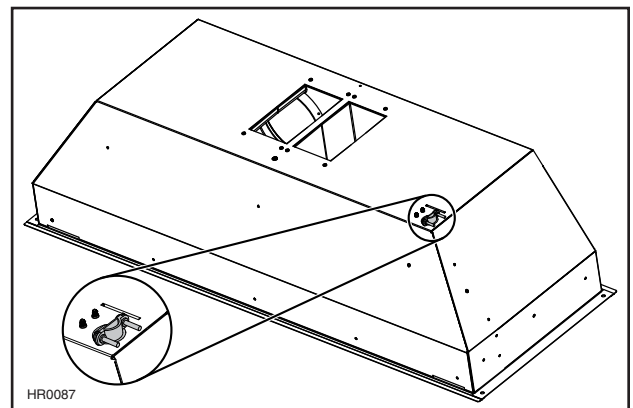
7. REMOVE ELECTRICAL COMPARTMENT COVER (PK22 SERIES ONLY)

From inside the power pack, remove the wiring cover by removing its retaining screw and set aside.



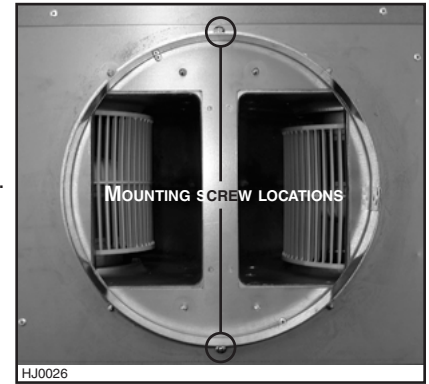
8. INSTALL WIRE CLAMP (PK22 SERIES ONLY)

Install the wire clamp (included in parts bag) on top of the power pack.



9. INSTALL 10" ADAPTER (PK22 SERIES ONLY)

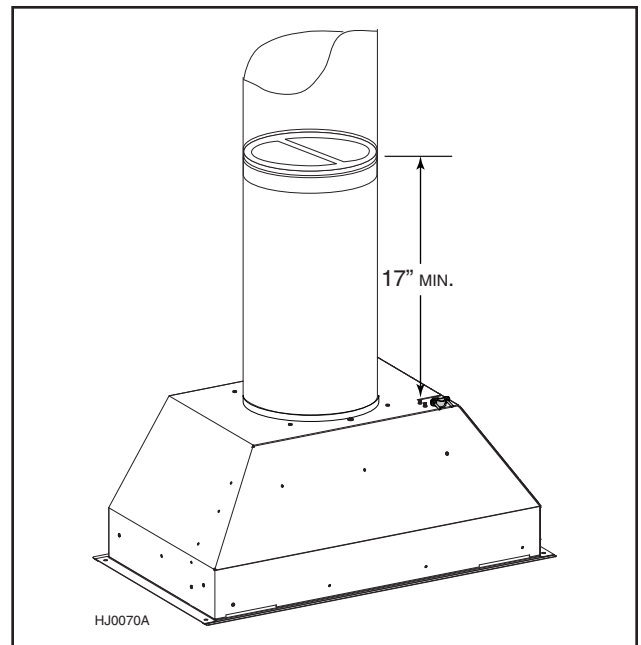
Using 2 no. 8 x 3/8" screws from parts bag, assemble the adapter on the top of the power pack. Seal all joints with metal foil duct tape to eliminate air leaks.



10. INSTALL 10" DAMPER (PK22 SERIES ONLY)

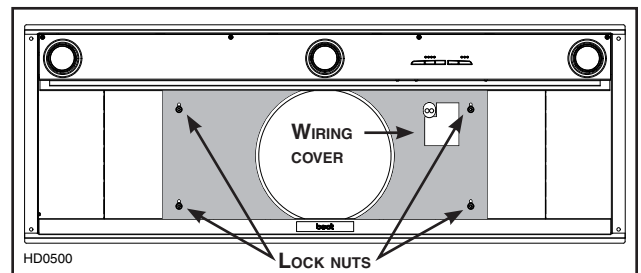
Install 10" damper (model 421, provided with PK22 series power packs) inside the vertical ductwork that will be attached to the power pack. **Do not install in a horizontal ductwork or directly on top of the adapter or it will not open and close properly.** Remove shipping tape if present. Secure the damper to the duct with 3 no. 8 sheet metal screws (not provided). Ensure the damper opens and closes freely. Seal all joints with metal foil duct tape to eliminate air leaks.

NOTE: To optimize airflow and reduce noise, position the damper at least 17" above the top of the power pack; or as far as the duct run will allow (see figure at right).



11. INSTALL ROUGH-IN PLATE FOR EXTERNAL BLOWER (PKEX22 SERIES ONLY)

Refer to the instructions included with the selected blower/rough-in kit (sold separately) for details on installing the rough-in plate. Install the rough-in plate so that the wiring box is located on the right side when facing the hood, as specified on the blower housing label.



12. CONNECT WIRING (ALL MODELS)

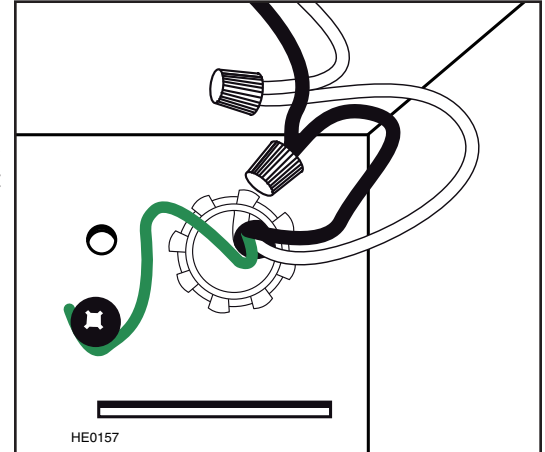
⚠ WARNING

Risk of electric shock. Electrical wiring must be done by qualified personnel in accordance with all applicable codes and standards. Before connecting wires, switch power off at service panel and lock service disconnecting means to prevent power from being switched on accidentally.

Position the power pack below its custom hood.

INTERNAL BLOWERS: Insert the house wiring cable through the wire clamp previously installed in step 8. Tighten the wire clamp to secure the cable. Connect cable into electrical compartment using included wire connectors. Connect BLACK to BLACK, WHITE to WHITE and GREEN or bare wire under green ground screw. **DO NOT FORGET TO CONNECT THE GROUND.** Reinstall electrical compartment cover.

IN-LINE OR EXTERNAL BLOWERS: See instructions included with blower.



13. CONNECT DUCTING (ALL MODELS)

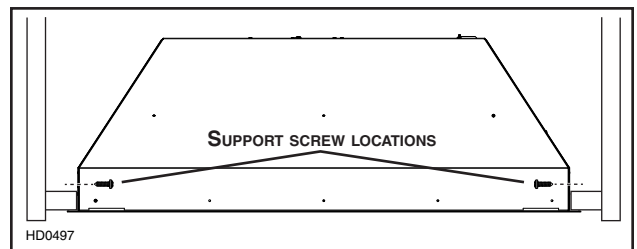
- When there is access to the top of the hood, connect ductwork and seal connections with metal foil duct tape after Step 14 *Install power pack*.
- When there is no access to the top of the hood, carefully pull down the metal duct through the custom hood base hole. Slide this duct over the adapter (internal blower) or over the flange of the rough-in plate (in-line or external blower). Make sure the adapter/damper assembly enters the ducting. Seal joint with metal foil duct tape.

14. INSTALL POWER PACK

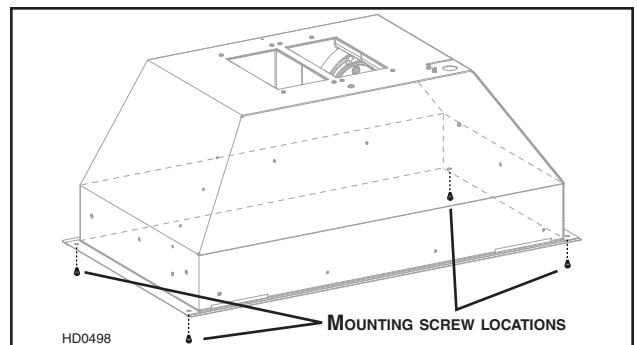
CAUTION

Take care not to kink ducting when installing the power pack.

TIP: Two of the six no. 8-18 x 1¼" provided chrome plated screws can be used to temporarily support the power pack during installation. Place the power pack inside the custom hood and insert both side screws. The power pack can now be secured to the custom hood without having to hold it in place.



Using provided no. 8-18 x 1¼" chrome plated screws, secure the power pack inside the custom hood. Install 1 screw at each corner. (See figure at right for mounting screw locations.)



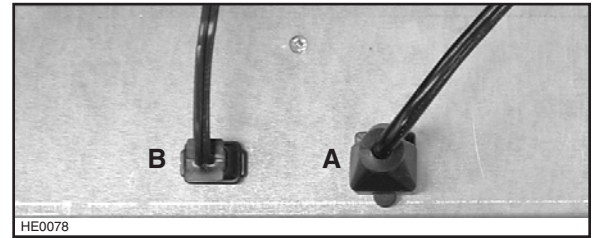
15. INSTALL BLOWER (PKEX22 SERIES ONLY)

⚠ WARNING

Do not plug the two cords together.

To install, see instructions packed with blower.

Once the blower is installed, plug the blower cord (B) into the female receptacle and the power supply cord (A) onto the male connector inside the power pack.



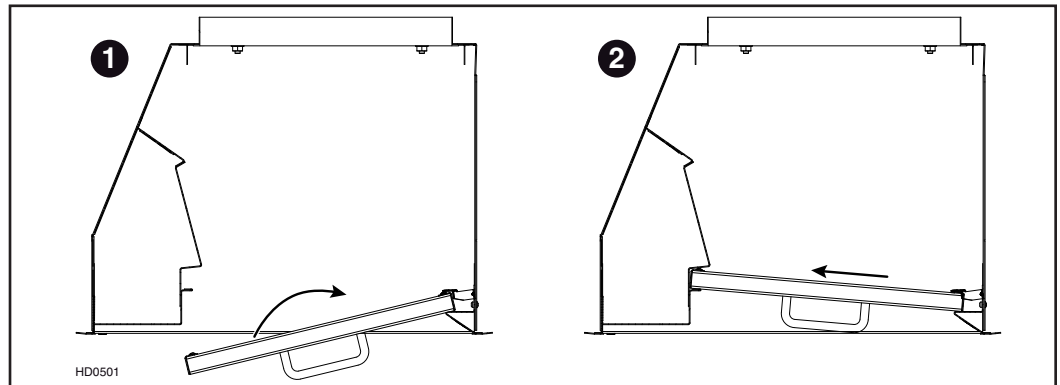
16. REINSTALL HYBRID BAFFLE FILTERS

CAUTION

Remove protective plastic film covering hybrid baffle filters before installing them.

- 1 Insert one end of the hybrid baffle filter into the back channel of the power pack.
- 2 Raise the other end toward the inside and insert in the front channel of the power pack.

Replacement filters are available from your dealer. See label inside power pack for part number.



17. CALIBRATE IQ BLOWER SYSTEM™ (PK22 SERIES ONLY)

After the power pack is installed and wired, engage the calibration process (our Guaranteed Performance System Technology to ensure full-rated airflow is being delivered). Prior to calibration, ensure that all filters, light bulbs and duct system are installed.

CALIBRATION PROCESS

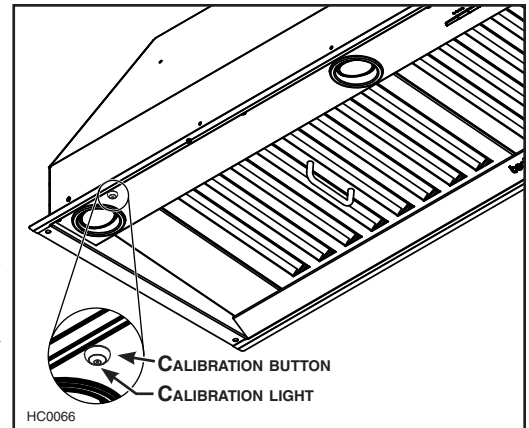
Hold the calibration button for 3 seconds; calibration button will light up and stay on for up to 13 minutes. The blower will start and begin the calibration process. When calibration is complete, one of two things will occur:

- A. The blower turns off and calibration button light stays on = Successful calibration. Press the button to turn off the LED. NOTE: The LED will also turn off if you select any blower speed on the control.
- B. The blower turns off and calibration button light blinks continuously = Too much restriction in the ductwork is preventing the IQ Blower System™ from achieving the rated airflow. The blower is automatically set to maximum intensity.

NOTE: Common items that cause restrictions: restricted damper flap (backdraft damper, wall cap, roof cap), too many elbows, duct size less than 80% of hood outlet, poor transition, use of flex ducting and/or crushed ducting.

Three options are available if your power pack system has too much restriction:

1. Accept airflow as is. Press the calibration button to accept airflow as is. The IQ Blower System™ is now configured to its highest possible performance. The blinking calibration light goes out. NOTE: The LED will also turn off if you select any blower speed on the control.
2. Correct duct restriction, clear the original calibration data, and repeat the calibration process.
 - a. Correct the duct restriction.
 - b. Clear the original calibration data by holding calibration button for 10 seconds. The light will blink 3 times to confirm and the blower configuration will go back to default settings.
 - c. Repeat calibration process from the beginning.
3. Clear calibration data to reset power pack to default factory settings and achieve standard high pressure blower performance by holding calibration button for 10 seconds. The light will blink 3 times to confirm and the blower configuration will go back to default settings.



18. LIGHT BULBS

This power pack requires shielded halogen lamps (120 V, 50 W, PAR16 with GU10 base, 2 for 30" and 39" width power packs, 3 for 45" width power pack), included.

NOTE: Before using lamps, remove shipping tape on them (if present).

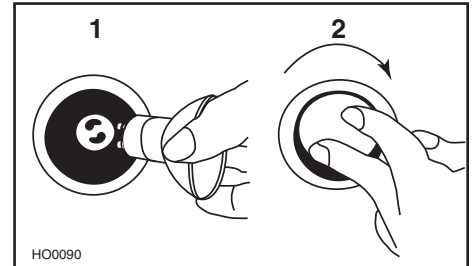
⚠ WARNING

Do not touch lamps during or soon after operation. Burns may occur. In order to prevent the risk of personal injury, only install shielded halogen lamps. Also, never install a cool beam, a dichroic lamp, a lamp not suitable for use in recessed luminaires or identified for use in enclosed fixtures.

1. Install the lamps by placing the bulb leads into their grooves in the socket.
2. Gently push upwards and turn clockwise until secure.

To remove lamps, gently push upwards and turn counterclockwise to disengage bulb leads from their grooves.

NOTE: If need be, use a rubber dishwashing glove to add grip when removing the bulb; or use suction cup tool available from Best to ease removal of the bulbs. Contact Best Customer Service at 1-800-558-1711 to order suction cup tool, part number 99526707.



19. USE AND CARE

Hybrid Baffle Filters

The hybrid baffle filters should be cleaned frequently. Use a warm detergent solution. Wash more often if your cooking style generates greater grease — like frying foods or wok cooking.

Remove hybrid baffle filters by pushing them towards the back of power pack and rotating filters downward. Baffle filters are dishwasher safe. Allow filters to dry completely before reinstalling them in the power pack.

Clean all-metal filters in the dishwasher using a non-phosphate detergent. Discoloration of the filter may occur if using phosphate detergent or as a result of local water conditions — but this will not affect filter performance. This discoloration is not covered by the warranty.

Internal Blowers Cleaning

Remove filters in order to access blowers. Vacuum blowers to clean. Do not immerse in water.

Power Pack Cleaning

Stainless steel cleaning:

Do:	Don't:
<ul style="list-style-type: none">• Regularly wash with clean cloth or rag soaked with warm water and mild soap or liquid dish detergent.• Always clean in the direction of original polish lines.• Always rinse well with clear water (2 or 3 times) after cleaning. Wipe dry completely.• You may also use a specialized household stainless steel cleaner.	<ul style="list-style-type: none">• Use any steel or stainless steel wool or any other scrapers to remove stubborn dirt.• Use any harsh or abrasive cleansers.• Allow dirt to accumulate.• Let plaster dust or any other construction residues reach the power pack. During construction/renovation, cover the power pack to make sure no dust sticks to stainless steel surface.

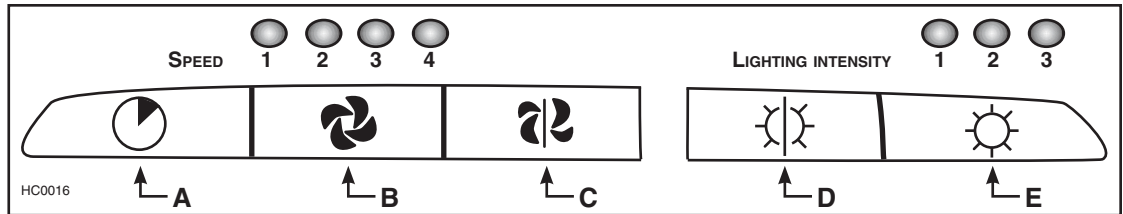
Avoid when choosing a detergent:

- Any cleaners that contain **bleach** will attack stainless steel.
- Any products containing: **chloride, fluoride, iodide, bromide** will deteriorate surfaces rapidly.
- Any combustible products used for cleaning such as **acetone, alcohol, ether, benzol**, etc., are highly explosive and should never be used close to a range.

20. OPERATION

Always turn your blower on before you begin cooking to establish an airflow in the kitchen. Let the blower run for a few minutes to clear the air after you turn off the range.

- A) Blower delay-off button
- B) ON blower/Speed control button
- C) OFF blower/
Filter maintenance button
- D) OFF lighting
- E) ON light button (3 settings)



A. BLOWER DELAY-OFF BUTTON:

When blower is on, press the delay-off button to activate the delay-off function. The corresponding speed indicator LED will start flashing to indicate this function is activated. The fan will continue to operate for 10 minutes and will stop automatically. To cancel the delay-off function, press the blower delay-off button once again; the blower will then work in normal mode.

NOTE: The blower speed can be increased—or decreased—during delay-off mode without starting another 10-minute cycle.

B. ON BLOWER/SPEED CONTROL BUTTON:

Press this button to turn on the blower at the last selected speed. To change the blower speed, press the button again until the desired speed is obtained. Press and hold this button for 2 seconds to decrease the speed level down by one increment. Possible decreases are then: 4 to 3; 3 to 2; 2 to 1 and 1 to OFF.

NOTES: 1. Each time you press the speed control button, the speed changes by increments of 1 (e.g.: speed 1 to speed 2, to speed 3, and then speed 4). From the fourth speed, the speed goes down to level 1.

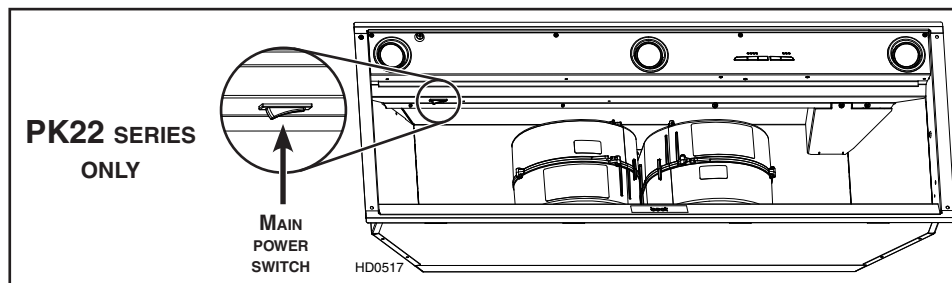
2. The last speed used is kept in memory so that when the unit is turned on, it will return to the last setting except the fourth, the next time the blower will be turned on, it will return to speed 3. The memorized speed level is also synced with the optional remote control.

HEAT SENTRY™

The power pack is equipped with a protective device that activates when excessive heat is detected inside the power pack. This device takes control of the blower and deactivates speed 4 for a 10-minute period and sets it on speed 3. During the Heat Sentry activation, only speed 3 can be used; the speed 4 button will flash while the speed 3 button will light up.

⚠ WARNING

The HEAT SENTRY can start the blower during a range top fire or other excessive heat situations even if the power pack is turned off. In this case, it is impossible to turn the blower OFF with blower button. If you must stop the blower on PK22 series models: set the main power switch located behind the baffle filters in OFF position, if it is possible to do safely (see illustration below). For PKEX22 series models: do it from the main electrical panel.



C. OFF BLOWER/FILTER MAINTENANCE BUTTON:

Press this button to turn off the blower. Pressing this button also cancels the delay-off function (if activated).

NOTE: After 25 hours of operation, the 4 blower speed lights will flash 30 seconds to indicate the filters need to be cleaned in order to maintain efficient power pack operation. Pressing the OFF button will reset the code to indicate that maintenance has been completed.

D. OFF LIGHTING:

Press this button to turn lights off.

E. ON LIGHT BUTTON:

Press this button to turn on the halogen lamps. The light intensity changes by increments of 1 (e.g.: Press once for low setting, once again for medium, again for high). From the higher setting, press once to go back to the lower setting.

NOTE: The last light setting used is kept in memory. The next time the halogen lamps are turned on, the last setting will be used. The memorized light setting is also synced with the optional remote control.

REMOTE CONTROL:

An optional ACR Series remote control (purchase separately) can be used to operate the power pack.

21. WARRANTY

ONE-YEAR LIMITED WARRANTY FOR BEST PRODUCTS

Broan-NuTone LLC (Broan-NuTone) warrants to the original consumer purchaser of its products that such products will be free from defects in materials or workmanship for a period of one year from the date of original purchase. THERE ARE NO OTHER WARRANTIES, EXPRESS OR IMPLIED, INCLUDING, BUT NOT LIMITED TO, IMPLIED WARRANTIES OF MERCHANTABILITY OR FITNESS FOR A PARTICULAR PURPOSE.

During this one-year period, Broan-NuTone will, at its option, repair or replace, without charge, any product or part which is found to be defective under normal use and service.

This warranty does not extend to fluorescent lamp starters, tubes and bulbs, fuses, filters, ducts, roof caps, wall caps and other accessories for ducting. This warranty does not cover (a) normal maintenance and service or (b) any products or parts which have been subject to misuse, negligence, accident, improper maintenance or repair (other than by Broan-NuTone), faulty installation or installation contrary to recommended installation instructions.

The duration of any implied warranty is limited to the one-year period as specified for the express warranty. Some states or provinces do not allow limitation on how long an implied warranty lasts, so the above limitation may not apply to you.

BROAN-NUTONE'S OBLIGATION TO REPAIR OR REPLACE, AT BROAN-NUTONE'S OPTION, SHALL BE THE PURCHASER'S SOLE AND EXCLUSIVE REMEDY UNDER THIS WARRANTY. BROAN-NUTONE SHALL NOT BE LIABLE FOR INCIDENTAL, CONSEQUENTIAL OR SPECIAL DAMAGES ARISING OUT OF OR IN CONNECTION WITH PRODUCT USE OR PERFORMANCE. Some states or provinces do not allow the exclusion or limitation of incidental or consequential damages, so the above limitation or exclusion may not apply to you.

This warranty gives you specific legal rights, and you may also have other rights, which vary from state to state or province to another. Any modification performed on this product without the authorization of Broan-NuTone will void this warranty. This warranty supersedes all prior warranties.

To qualify for warranty service, you must (a) notify Broan-NuTone at the address or telephone number stated below, (b) give the model number and part identification and (c) describe the nature of any defect in the product or part. At the time of requesting warranty service, you must present evidence of the original purchase date.

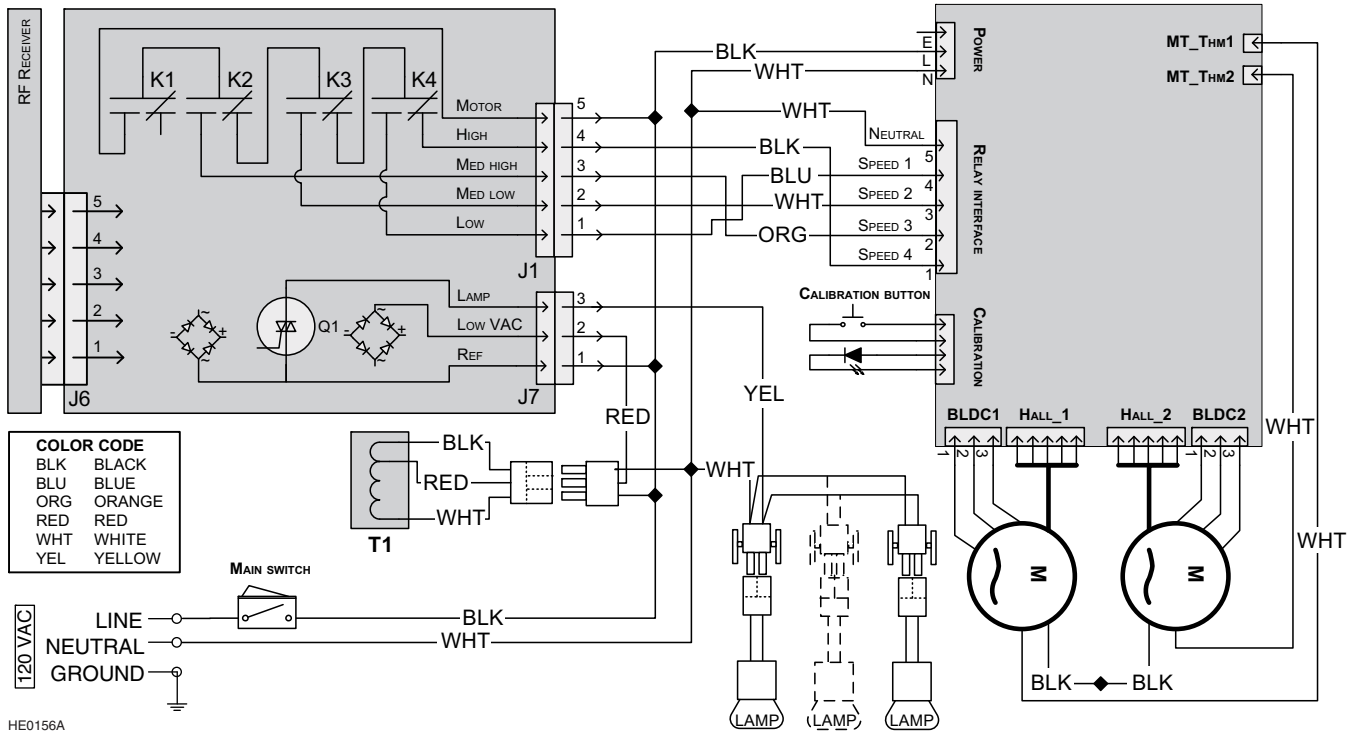
In USA - Best®, 926 W. State Street, Hartford, WI 53027 (1-800-558-1711)

In Canada - Best®, 550 Lemire Blvd., Drummondville, QC, Canada (1-866-737-7770)

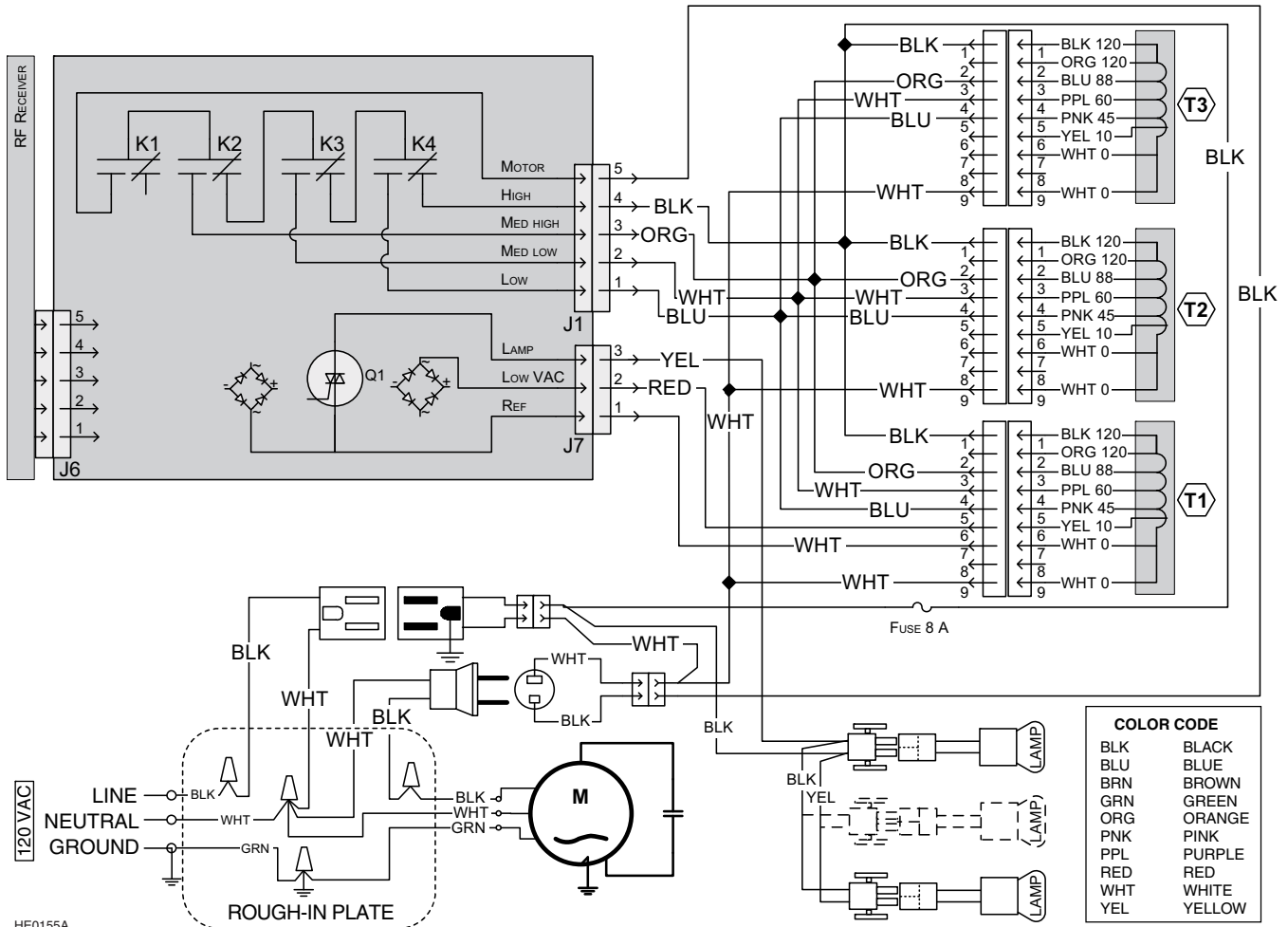
www.bestrangehoods.com

22. WIRING DIAGRAMS

Best PK22 series

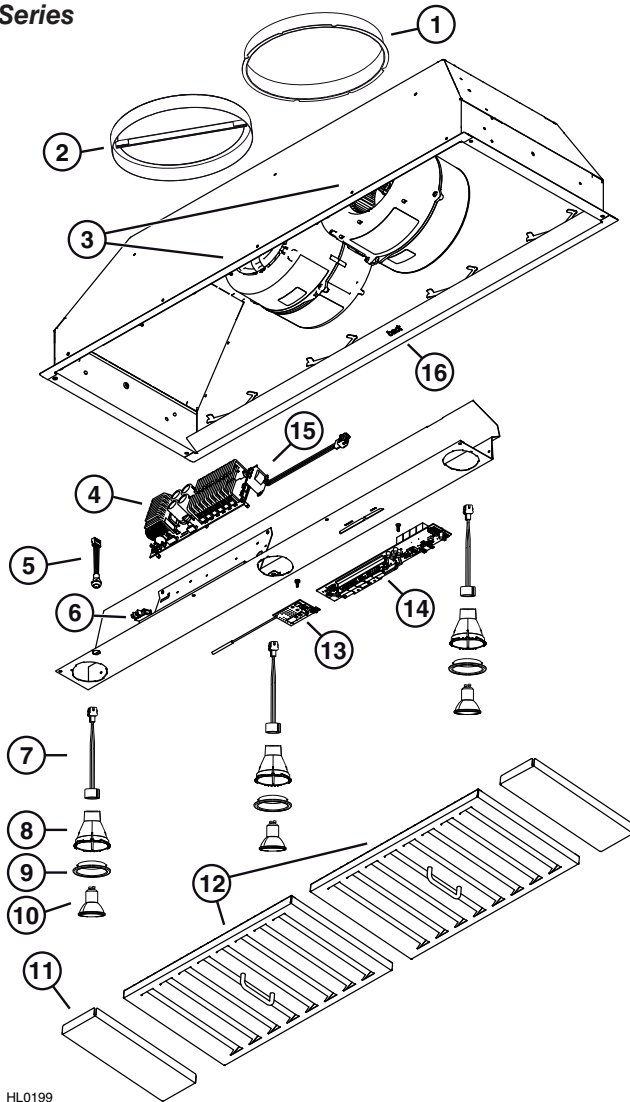


Best PKEX22 series



23. SERVICE PARTS

Best PK22 Series



HL0199

REPLACEMENT PARTS AND REPAIRS

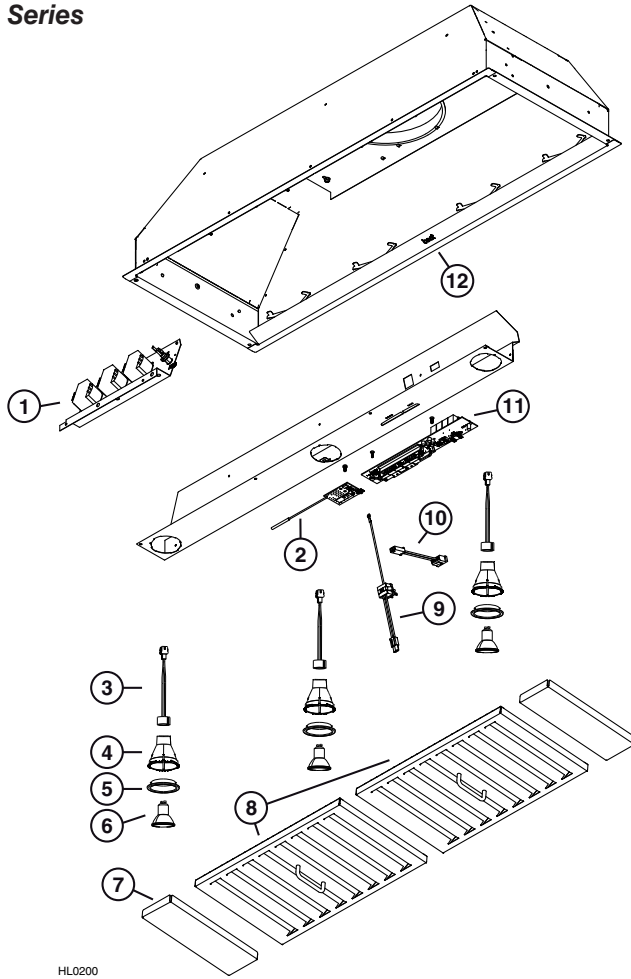
In order to ensure your unit remains in good working condition, you must use Broan-NuTone genuine replacement parts only. Broan-NuTone genuine replacement parts are specially designed for each unit and are manufactured to comply with all the applicable certification standards and maintain a high standard of safety. Any third party replacement part used may cause serious damage and drastically reduce the performance level of your unit, which will result in premature failing. Broan-NuTone recommends to contact a certified service depot for all replacement parts and repairs.

KEY NO.	PART NO.	DESCRIPTION	QTY. (POWER PACK WIDTH)		
			30"	39"	45"
1	SV08541	10" ROUND ADAPTER	1	1	1
2	SV08542	10" ROUND DAMPER	1	1	1
3	S97018985	BLDC BLOWER, 600 CFM	2	2	2
4	SV20818	ELECTRONIC DRIVE FOR DUAL BLDC BLOWER	1	1	1
5	SV20817	CALIBRATION BUTTON	1	1	1
6	SV08548	BLACK ROCKER SWITCH	1	1	1
7	SV05917	SOCKET GU10	2	2	3
8	SV09435	SOCKET HOLDER GU10	2	2	3
9	SV09434	LIGHT TRIM STAINLESS STEEL	2	2	3
10	SV05921	HALOGEN BULB 120 V, 50 W, PAR16 WITH GU10 BASE	2	2	3
11	SV61044	FILTER FILLER	0	0	2
12	SV61045	BAFFLE FILTER WITH MICROMESH + HANDLE 12" x 10"	2	0	0
	SV61046	BAFFLE FILTER WITH MICROMESH + HANDLE 17" x 10"	0	2	2
13	SV20816	REMOTE CONTROL PCB	1	1	1
14	SV20814	CONTROL INTERFACE PCB FOR INTERNAL BLOWER	1	1	1
15	SV09022	TRANSFORMER 120 VAC, 9 VOLTS DC	1	1	1
16	SV05869	BEST LOGO	1	1	1
*	SV20827	INSTALLATION INSTRUCTIONS	1	1	1
*	SV20830	PARTS BAG: 1 WIRE CLAMP, 2 WIRE CONNECTORS, 2 NO. 8 x 3/8" SCREWS, 6 NO. 8-18 x 1 1/4" CHROME PLATED SCREWS.	1	1	1

* NOT SHOWN.

23. SERVICE PARTS (CONT'D)

Best PKEX22 Series



HL0200

REPLACEMENT PARTS AND REPAIRS

In order to ensure your unit remains in good working condition, you must use Broan-NuTone genuine replacement parts only. Broan-NuTone genuine replacement parts are specially designed for each unit and are manufactured to comply with all the applicable certification standards and maintain a high standard of safety. Any third party replacement part used may cause serious damage and drastically reduce the performance level of your unit, which will result in premature failing. Broan-NuTone recommends to contact a certified service depot for all replacement parts and repairs.

KEY NO.	PART NO.	DESCRIPTION	QTY. (POWER PACK WIDTH)	
			39"	45"
1	SV61049	AUTOTRANSFORMER AND FUSE KIT (INCLUDING METAL SUPPORT)	1	1
2	SV20816	PCB FOR REMOTE CONTROL	1	1
3	SV05917	SOCKET GU10	2	3
4	SV09435	SOCKET HOLDER GU10	2	3
5	SV09434	LIGHT TRIM STAINLESS STEEL	2	3
6	SV05921	HALOGEN BULB 120 V, 50 W, PAR16 WITH GU10 BASE	2	3
7	SV61044	FILTER FILLER	0	2
8	SV61046	BAFFLE FILTER WITH MICROMESH + HANDLE 17" X 10"	2	2
9	SV13924	MALE POWER CONNECTOR	1	1
10	SV13923	FEMALE POWER CONNECTOR	1	1
11	SV20815	CONTROL INTERFACE PCB FOR EXTERNAL BLOWER	1	1
12	SV05869	BEST LOGO	1	1
*	SV20827	INSTALLATION INSTRUCTIONS	1	1
*	SV20830	PARTS BAG: 1 WIRE CLAMP, 2 WIRE CONNECTORS, 2 NO. 8 X 3/8" SCREWS, 6 NO. 8-18 X 1 1/4" CHROME PLATED SCREWS.	1	1

* NOT SHOWN.

best®



SÉRIES PK22 ET PKEX22

⚠ CONÇUES POUR USAGE DOMESTIQUE SEULEMENT ⚠

LIRE ET CONSERVER CES DIRECTIVES

INSTALLATEUR : LAISSER CE GUIDE AU PROPRIÉTAIRE.
PROPRIÉTAIRE : DIRECTIVES D'UTILISATION ET D'ENTRETIEN
EN PAGES 27 À 29.

BEST; Hartford, Wisconsin www.BestRangeHoods.com 800 558-1711
BEST; Drummondville, QC, Canada www.BestRangeHoods.com 866 737-7770

Pour enregistrer votre produit en ligne ou pour obtenir plus d'information,
consultez notre site www.BestRangeHoods.com

AVERTISSEMENT

AFIN DE RÉDUIRE LES RISQUES D'INCENDIE, D'ÉLECTROCUTION OU DE BLESSURES CORPORELLES, SUIVEZ LES DIRECTIVES SUIVANTES :

1. N'utilisez cet appareil que de la façon prévue par le fabricant. Si vous avez des questions, contactez le fabricant à l'adresse ou au numéro de téléphone indiqués dans la garantie.
2. Avant de réparer ou de nettoyer l'appareil, couper l'alimentation électrique en verrouillant le panneau de distribution afin d'éviter sa remise en marche accidentelle. Si le panneau de distribution ne peut être verrouillé, y fixer un avertissement en évidence, telle qu'une étiquette de couleur vive.
3. Les travaux d'installation et de raccordement électrique doivent être effectués par une personne qualifiée, conformément aux codes et aux standards de construction, incluant ceux concernant la protection contre les incendies.
4. Une quantité d'air adéquate est requise afin d'assurer une bonne combustion et l'évacuation des gaz par la cheminée dans le cas des équipements alimentés au gaz afin de prévenir les retours de cheminée. Conformez-vous aux instructions et aux standards de sécurité des fabricants d'équipement de chauffage, tel qu'ils sont publiés par la National Fire Protection Association (NFPA) et l'American Society for Heating, Refrigeration and Air Conditioning Engineers (ASHRAE) ainsi que les responsables des codes locaux.
5. Lorsque vous coupez ou percez un mur ou un plafond, prenez garde de ne pas endommager les fils électriques ou autre installation qui pourraient y être dissimulés.
6. Les ventilateurs avec conduits doivent toujours évacuer l'air à l'extérieur.
7. Ne pas utiliser cet appareil avec une commande de vitesse à semi-conducteur.
8. Afin de réduire les risques d'incendie, n'utilisez que des conduits de métal.
9. Cet appareil doit être mis à la terre.
10. Lorsqu'une réglementation est en vigueur et qu'elle comporte des exigences d'installation et/ou de certification plus restrictives, lesdites exigences prévalent sur celles de ce document et l'installateur entend s'y conformer à ses frais.

AFIN DE RÉDUIRE LES RISQUES DE FEU DE CUISINIÈRE :

- a) Ne jamais laisser les appareils de cuisson sans surveillance lorsqu'ils sont réglés à feu vif. Les débordements engendrent de la fumée et des déversements gras pouvant s'enflammer. Chauffez l'huile lentement, à feu doux ou moyen.
- b) Mettez toujours la hotte en marche lorsque vous cuisinez à feu vif ou que vous cuisinez des mets flambés (par ex. : crêpes Suzette, cerises jubilé, steaks au poivre flambés).
- c) Nettoyez régulièrement la (les) roue(s) du ventilateur. Ne laissez pas la graisse s'accumuler sur le ventilateur, les filtres ou les conduits d'évacuation.
- d) Utilisez le bon format de casserole. Servez-vous toujours de casseroles et d'ustensiles appropriés à la dimension de la surface chauffante.

AFIN D'ÉVITER TOUT RISQUE DE BLESSURES LORS D'UN FEU DE CUISINIÈRE, SUIVEZ CES DIRECTIVES* :

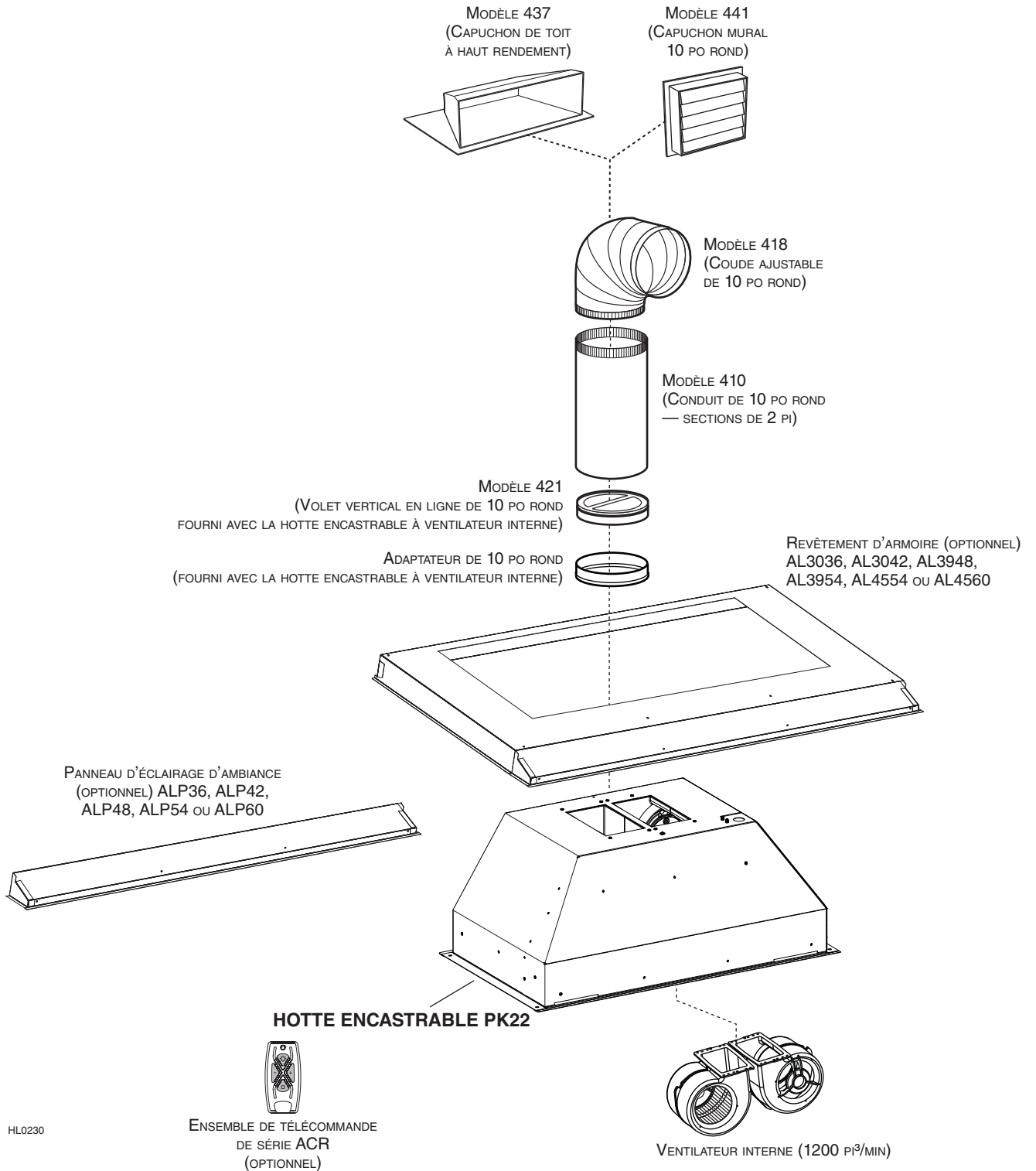
1. Éteignez les flammes avec un couvercle hermétique, une tôle à biscuits ou un plateau métallique et ensuite, éteindre le brûleur. **PRENEZ SOIN D'ÉVITER les brûlures. SI LES FLAMMES NE S'ÉTEIGNENT PAS IMMÉDIATEMENT, ÉVACUEZ LES LIEUX ET APPELEZ LES POMPIERS.**
2. **NE PRENEZ JAMAIS UNE CASSEROLE EN FLAMMES DANS VOS MAINS.** Vous pourriez vous brûler.
3. **N'UTILISEZ PAS D'EAU**, incluant un linge à vaisselle ou une serviette mouillée, cela pourrait occasionner une violente explosion de vapeur.
4. N'utilisez un extincteur **QUE DANS LE CAS OÙ :**
 - A. Vous savez qu'il s'agit d'un extincteur de classe ABC et que vous en connaissez le fonctionnement.
 - B. L'incendie est petit et limité à l'endroit où il a débuté.
 - C. Les pompiers ont été avisés.
 - D. Vous pouvez combattre l'incendie en ayant accès à une sortie de secours.

*Tirées du Kitchen Fire Safety Tips publié par la NFPA.

ATTENTION

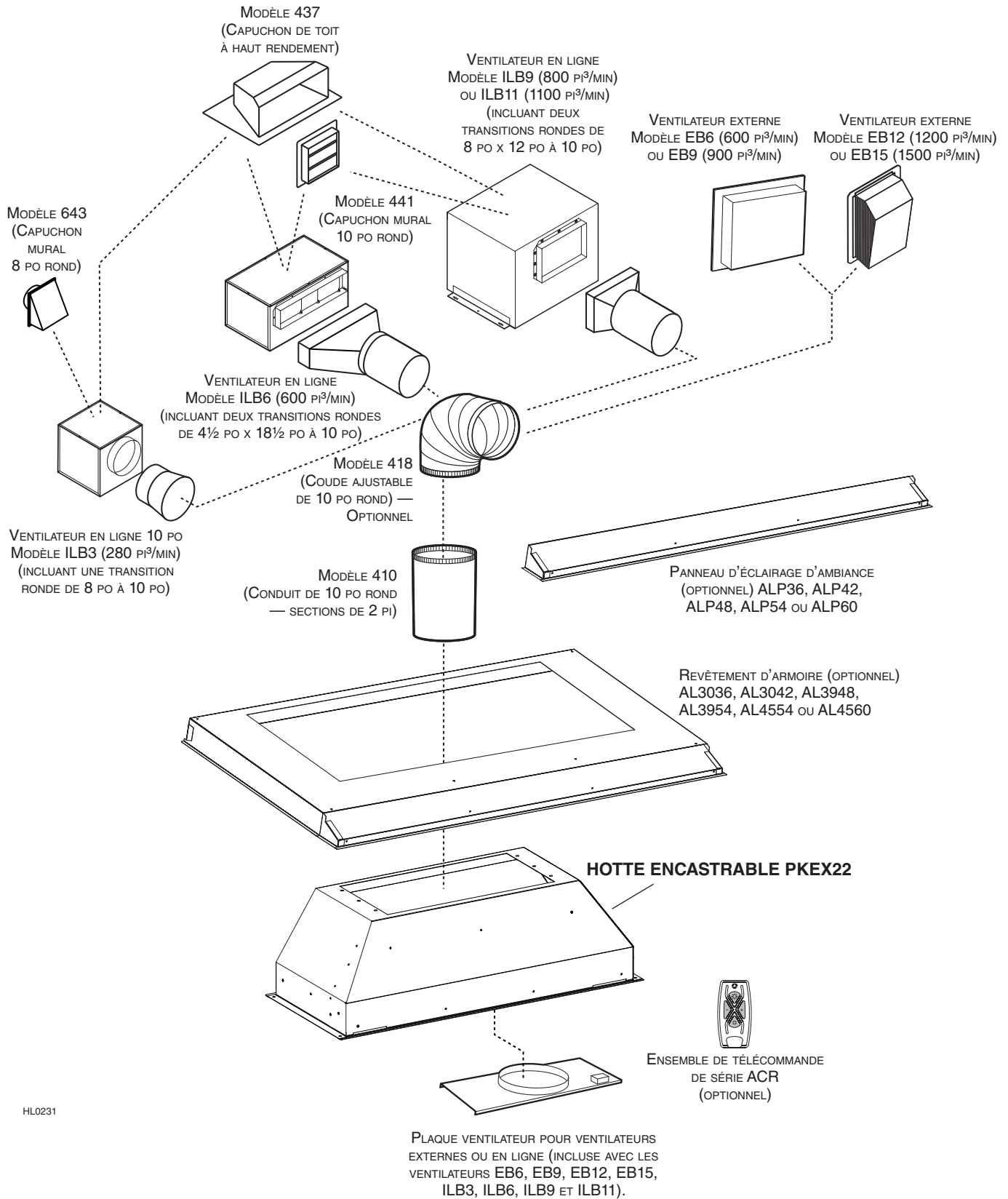
1. Pour une utilisation à l'intérieur seulement.
2. Pour usage domestique seulement. Ne pas utiliser pour évacuer des vapeurs ou des matières dangereuses ou explosives.
3. Afin d'éviter tout dommage au moteur et de débalancer ou de rendre bruyante la roue du moteur, garder votre appareil à l'abri des poussières de gypse et de construction/rénovation, etc.
4. Le moteur de votre hotte encastrable possède une protection thermique qui éteindra automatiquement le moteur s'il devient surchauffé. Le moteur redémarrera automatiquement une fois refroidi. Si le moteur continue à arrêter et à redémarrer, faites-le vérifier.
5. La distance minimale entre le bas de votre hotte et la surface de cuisson ne doit pas être inférieure à 24 po. Un maximum de 30 po au-dessus de la surface de cuisson est recommandé pour une meilleure évacuation des odeurs de cuisson.
6. Deux installateurs sont recommandés lors de l'installation vu la grande dimension et le poids de cet appareil.
7. Afin de réduire les risques d'incendie, assurez-vous d'évacuer l'air à l'extérieur. Ne pas évacuer l'air dans des espaces restreints comme l'intérieur des murs ou plafond ou dans le grenier, faux plafond ou garage.
8. Cet appareil est équipé d'un thermostat pouvant faire démarrer le ventilateur automatiquement. Afin de réduire le risque de blessure, couper le courant à partir du panneau électrique et le verrouiller ou apposer un avertissement sur le panneau afin de prévenir que la hotte ne soit mise en marche accidentellement.
9. À cause de la grande capacité d'évacuation de cet appareil, il est recommandé d'ouvrir une fenêtre dans ou près de la cuisine afin de remplacer l'air évacué.
10. Afin de réduire les risques d'incendie et d'électrocution, les modèles Best de la série PK22 doivent être installés uniquement avec leurs ventilateurs internes intégrés et les modèles Best de la série PKEX22 avec les ventilateurs externes EB6, EB9, EB12 ou EB15 ou un ventilateur en ligne ILB3, ILB6, ILB9, ILB11. Aucun autre ventilateur ne doit être utilisé.
11. Les modèles PKEX22 utilisés avec les ventilateurs ILB3, ILB6 ou EB6, doivent être installés au-dessus d'une cuisinière produisant un maximum de 60 000 Btu/h.
12. Veuillez consulter l'autocollant apposé à l'intérieur du produit pour plus d'information ou autres exigences.
13. Cette hotte encastrable est munie d'un récepteur radio (télécommande optionnelle vendue séparément). Tous changements ou modifications qui ne sont pas approuvés par la partie responsable de la conformité pourraient annuler la possibilité d'opérer l'équipement. La télécommande a été testée et est en accord avec les limites de la Classe B appareil numérique et est conforme au chapitre 15 des règlements FCC et ICES-003 canadien. Ces limites sont développées afin de fournir une protection raisonnable contre des interférences dommageables dans une installation résidentielle. La télécommande génère, utilise et peut émettre des flux de fréquences radio qui peuvent causer des interférences aux communications radio, si elle n'est pas installée selon les instructions. Cependant, il n'y a aucune garantie que ces dites interférences ne se produiront pas dans une installation particulière. Si cet équipement cause des interférences à un récepteur radio ou un téléviseur, cela peut être confirmé en éteignant et rallumant l'appareil, l'utilisateur est encouragé à corriger cette situation en essayant les solutions suivantes :
 - Réorienter ou relocaliser l'antenne réceptrice
 - Augmenter la distance entre l'équipement et le récepteur
 - Connecter l'équipement à une autre prise électrique ou un autre disjoncteur différent de celui du récepteur

- SYSTÈME DE HOTTE ENCASTRABLE - SÉRIE PK22



HL0230

- SYSTÈME DE HOTTE ENCASTRABLE - SÉRIE PKEX22



HL0231

1. INSTALLER LES CONDUITS ET LE CÂBLAGE ÉLECTRIQUE

Les hottes encastrables de série PKEX22 doivent être munies d'un ventilateur externe ou en ligne. Elles doivent être installées avec un ventilateur de modèle ILB3, ILB6, ILB9, ILB11, EB6, EB9, EB12 ou EB15 seulement. Aucun autre ventilateur ne peut être utilisé (ventilateurs vendus séparément).

Si un ventilateur externe ou en ligne est installé, se reporter aux directives incluses avec celui-ci et suivre les étapes 1 à 6, 11 à 16, 18 et suivantes de ce guide.

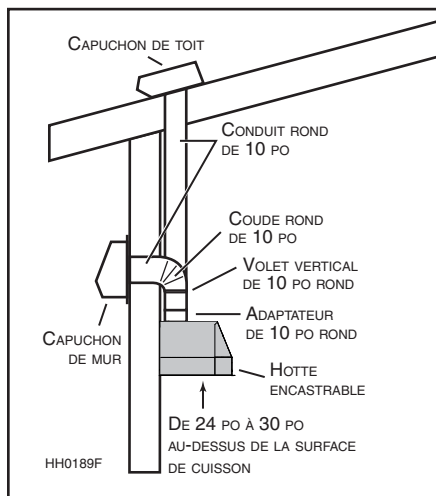
Déterminer à quel endroit et de quelle façon les conduits seront installés.

Un conduit droit et court permettra à la hotte encastrable de fonctionner plus efficacement. Un conduit long avec des coudes et des transitions réduira la performance de la hotte. En utiliser le moins possible. Pour une grande distance, un conduit d'évacuation d'air au diamètre plus grand peut être requis.

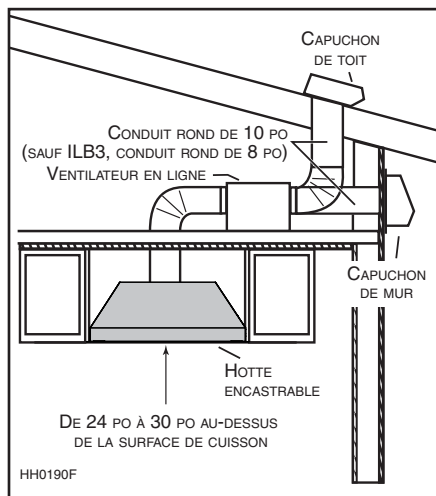
Installer des conduits de dimensions appropriées, coude(s) et capuchon de mur ou de toit selon le type de ventilateur. Relier le conduit de métal au capuchon, puis acheminer le conduit jusqu'à l'emplacement de la hotte. Sceller les joints avec du ruban adhésif de métal de 2 po de largeur.

La distance minimale entre le bas de la hotte et la surface de cuisson ne doit pas être inférieure à 24 po. Un maximum de 30 po au-dessus de la surface de cuisson est fortement recommandé pour une meilleure évacuation des odeurs de cuisson.

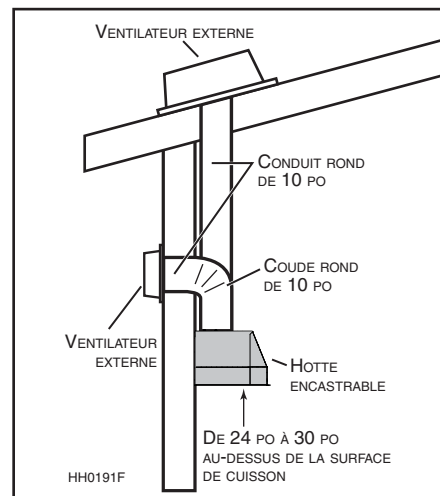
Une distance de plus de 30 po demeure à la discrétion de l'installateur et de l'utilisateur.



**INSTALLATION TYPE PK22
VENTILATEUR INTERNE DOUBLE**



**INSTALLATION TYPE
VENTILATEUR EN LIGNE PKEX22
(L'EMPLACEMENT DU VENTILATEUR
EST ILLUSTRÉ À TITRE
DE RÉFÉRENCE SEULEMENT)**



**INSTALLATION TYPE
VENTILATEUR EXTERNE PKEX22**
NOTE : Le niveau sonore peut être plus élevé que spécifié lorsqu'un ventilateur externe est installé à proximité de la hotte encastrable.

2. PRÉPARER L'INSTALLATION

⚠ AVERTISSEMENT

Il est recommandé de porter des lunettes et des gants de sécurité lors de l'installation, de l'entretien et de la réparation de cet appareil.

NOTE : Avant de commencer l'installation, vérifier le contenu de la boîte. Si des pièces sont manquantes ou endommagées, contacter le fabricant.

S'assurer que les articles suivants sont inclus :

- La hotte encastrable
- Le guide d'installation
- Accessoires :
 - 2 filtres à chicane hybrides avec poignées
 - Ampoules halogènes avec écran (120 V, 50 W à culot GU10) (2 pour les modèles de 30 po et 39 po de largeur, 3 pour le modèle de 45 po de largeur)
 - Adaptateur de 10 po rond et volet de 10 po rond (inclus avec le modèle PK22 seulement, et non avec le modèle PKEX22)
 - Sachet de pièces incluant : 1 serre-fils, 2 capuchons de connexion, 2 vis n° 8 x 3/8 po, 6 vis n° 8-18 x 1 1/4 po plaquées chrome.
Jeter les vis excédentaires s'il y a lieu.

2. PRÉPARER L'INSTALLATION (SUITE)

Pièces vendues séparément :

- Ventilateur en ligne modèle ILB3, ILB6, ILB9 ou ILB11.
- Ventilateur externe modèle EB6, EB9, EB12 ou EB15.
- Revêtement d'armoire, modèle AL3036, AL3042, AL3948, AL3954, AL4554 ou AL4560 (optionnel).
- Panneau d'éclairage d'ambiance modèle ALP36, ALP42, ALP48, ALP54 ou ALP60 (optionnel).
- Télécommande de série ACR (optionnelle).
- Conduits, coudes, capuchons de mur ou de toit. Consulter les pages 19 et 20 pour la liste complète des accessoires de ventilation et les numéros de modèle.
- Adaptateur de 10 po rond avec plaque ventilateur pour les modèles de la série PKEX22 (inclus avec les ensembles ventilateur en ligne ou externes).

NOTE : Lors de l'installation, protéger le plan de cuisson et le comptoir de cuisine.

3. PRÉPARER L'ARMOIRE POUR HOTTE

⚠ AVERTISSEMENT

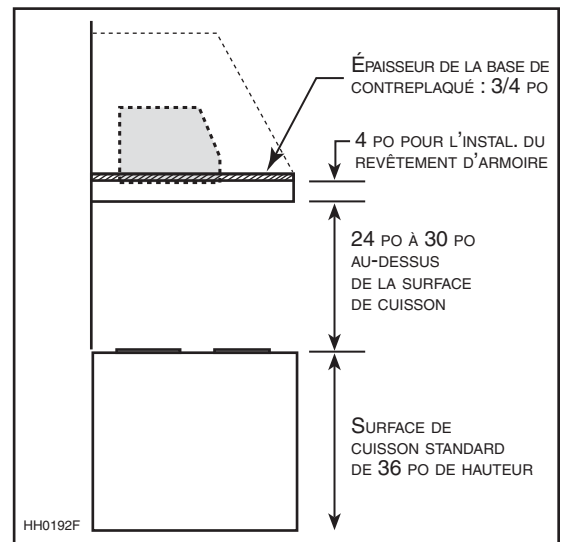
- **Toujours suivre les codes et standards en vigueur lors de la construction de l'armoire pour hotte.**
- **S'assurer que l'armoire puisse supporter son propre poids en plus de celui de la hotte encastrable. Ne pas suivre cette directive peut entraîner des blessures corporelles ou des dommages à la surface de cuisson ou au comptoir de cuisine.**

Construire l'armoire en fonction du format et du poids total de la hotte encastrable. Une structure de soutien appropriée est nécessaire afin de supporter adéquatement le poids de la hotte.

Commencer par la base de l'armoire, car sa position déterminera la hauteur de la hotte encastrable. Nous recommandons qu'elle soit faite de contreplaqué de 3/4 po d'épaisseur. Si un revêtement d'armoire optionnel sera installé, nous recommandons que les côtés et l'avant de l'armoire aient aussi 3/4 po d'épaisseur, selon que l'armoire soit de largeur standard. Si le revêtement d'armoire optionnel n'est pas installé, l'épaisseur des côtés et de l'avant de l'armoire est à la discrétion de l'installateur.

Passer l'alimentation électrique jusqu'à l'endroit de l'installation. Laisser dépasser une longueur de 4 pi de câble électrique sous l'armoire.

LARGEUR DE LA HOTTE ENCASTRABLE	AVEC VENTILATEUR INTERNE	AVEC VENTILATEUR EN LIGNE OU EXT.
30 PO	50 LB	-
39 PO	54 LB	36 LB
45 PO	57 LB	39 LB



4. INSTALLER LE REVÊTEMENT D'ARMOIRE (OPTIONNEL)

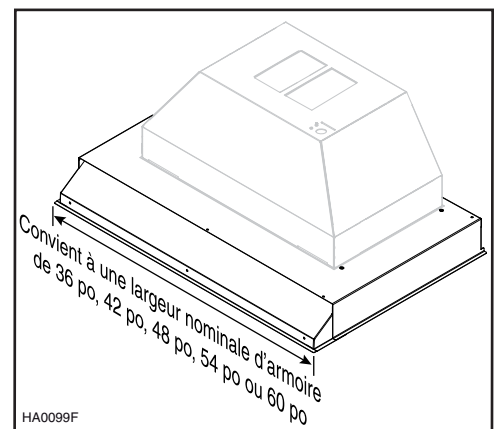
Les revêtements d'armoire sont spécialement conçus pour protéger la base de l'armoire. Consulter le tableau ci-dessous afin de trouver le modèle de revêtement correspondant à votre hotte ainsi qu'à la largeur de l'armoire. Visiter le site www.BestRangeHoods.com ou communiquer avec le service technique (le numéro de téléphone se trouve dans le texte de garantie, en page 29) afin de connaître leurs caractéristiques, incluant la profondeur de chacun des modèles.

Pour l'installation, voir la feuille d'instruction du revêtement d'armoire.

Le revêtement d'armoire doit être installé avant la hotte encastrable.

NOTE : Il est possible que la pièce avant de certains modèles de revêtement d'armoire empiète sur le rebord avant de la hotte encastrable. Si tel est le cas, retirer cette pièce, assembler la hotte encastrable et réinstaller la pièce avant du revêtement d'armoire.

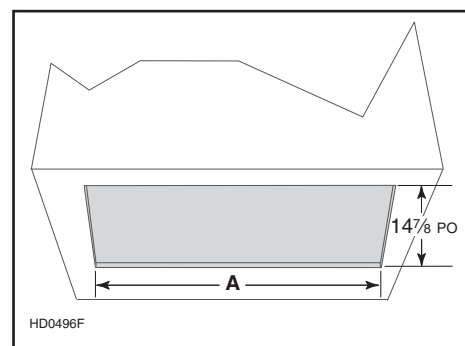
REVÊTEMENT	HOTTE ENCASTRABLE	LARGEUR NOMINALE DE L'ARMOIRE
AL3036	PK2230	36 PO
AL3042	PK2230	42 PO
AL3948	PK2239/PKEX2239	48 PO
AL3954	PK2239/PKEX2239	54 PO
AL4554	PK2245/PKEX2245	54 PO
AL4560	PK2245/PKEX2245	60 PO



5. DÉCOUPER LE TROU DANS LA BASE DE L'ARMOIRE

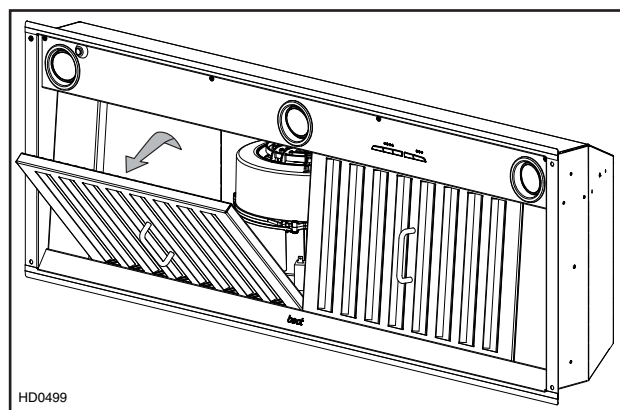
Si ce n'est pas déjà fait, découper le trou dans la base de l'armoire selon les dimensions indiquées ci-dessous.

LARGEUR DE LA HOTTE ENCASTRABLE	A
30 PO	26 ⁹ / ₁₆ PO
39 PO	34 ¹⁵ / ₁₆ PO
45 PO	41 ⁷ / ₈ PO



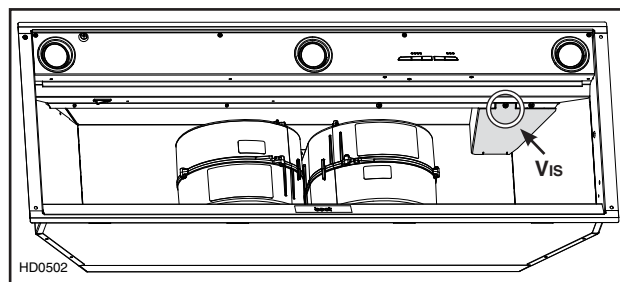
6. RETIRER LES FILTRES À CHICANE HYBRIDES

Retirer le ruban adhésif des filtres. Retirer les filtres de la hotte encastrable et les mettre de côté.



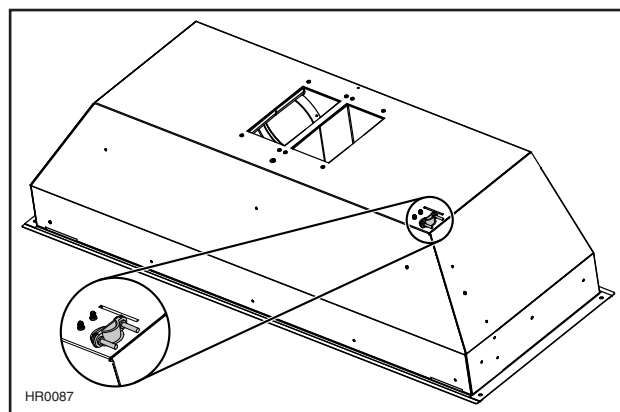
7. RETIRER LE COUVERCLE DU COMPARTIMENT ÉLECTRIQUE (SÉRIE PK22 SEULEMENT)

Par l'intérieur de la hotte encastrable, enlever le couvercle du compartiment électrique en retirant sa vis de retenue et le mettre de côté.



8. INSTALLER LE SERRE-FILS (SÉRIE PK22 SEULEMENT)

Installer le serre-fils (inclus dans le sachet de pièces) sur le dessus de la hotte encastrable.



9. INSTALLER L'ADAPTATEUR DE 10 PO (SÉRIE PK22 SEULEMENT)

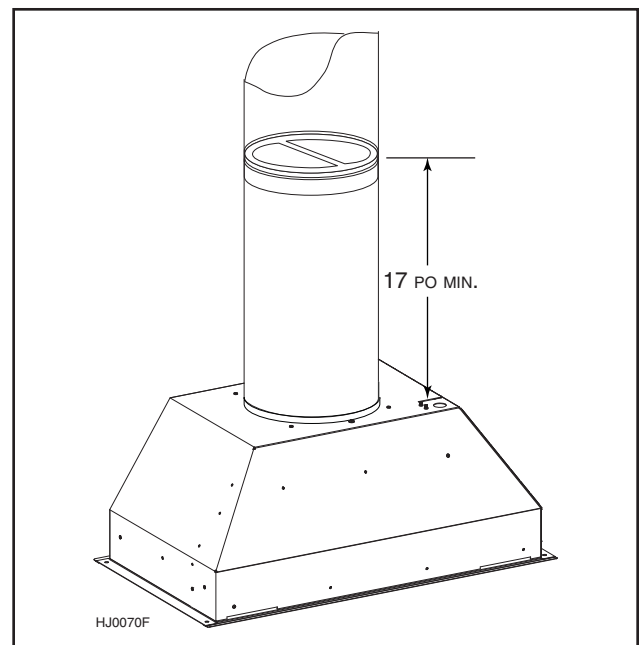
À l'aide de 2 vis n° 8 x 3/8 po fournies dans le sachet de pièces, assembler l'adaptateur sur le dessus de la hotte encastrable. Sceller les joints avec du ruban adhésif de métal pour éliminer les fuites d'air.



10. INSTALLER LE VOILET DE 10 PO (SÉRIE PK22 SEULEMENT)

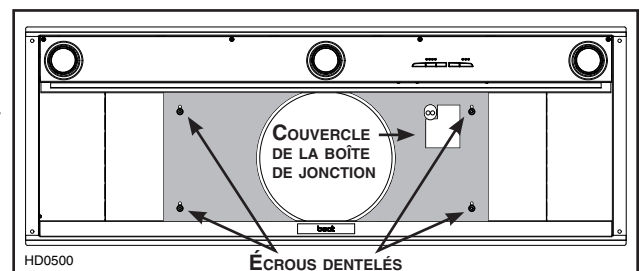
Installer le volet de 10 po (modèle 421, inclus avec les hottes encastrables de série PK22) à l'intérieur du conduit vertical lequel sera rattaché à la hotte encastrable. **Ne pas l'installer dans un conduit horizontal ou directement sur l'adaptateur car l'ouverture et la fermeture ne pourraient se faire adéquatement.** Retirer le ruban adhésif s'il y a lieu. Fixer le volet au conduit à l'aide de 3 vis à métaux n° 8 (non fournies). S'assurer que le volet s'ouvre et se ferme librement. Sceller les joints avec du ruban adhésif de métal pour éliminer les fuites d'air.

NOTE : Pour optimiser le débit d'air et minimiser le bruit, placer le volet à au moins 17 po du dessus de la hotte encastrable, ou le plus éloigné possible selon la longueur du conduit (voir l'illustration ci-contre).



11. INSTALLER LA PLAQUE VENTILATEUR POUR VENTILATEUR EXTERNE (SÉRIE PKEX22 SEULEMENT)

Pour les détails concernant l'installation de la plaque ventilateur, voir les instructions comprises avec l'ensemble ventilateur et la plaque du ventilateur (vendus séparément). Installer la plaque ventilateur de façon à ce que la boîte de jonction se trouve à droite lorsqu'on fait face à la hotte, tel qu'il est spécifié sur l'étiquette du ventilateur.



12. BRANCHEMENT ÉLECTRIQUE (TOUS LES MODÈLES)

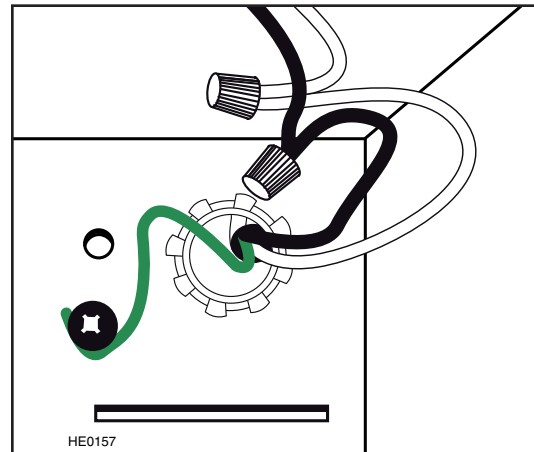
⚠ AVERTISSEMENT

Risque d'électrocution. Le raccordement électrique doit être effectué par du personnel qualifié conformément aux codes et aux standards. Avant d'effectuer le branchement, coupez l'alimentation électrique au panneau de distribution et verrouillez-le pour éviter une mise en marche accidentelle.

Placer la hotte encastrable sous son armoire.

VENTILATEURS INTERNES : Passer le fil d'alimentation électrique à travers le serre-fils précédemment installé à l'étape 8. Serrer le serre-fils afin de retenir le fil d'alimentation en place. Connecter les fils dans le compartiment électrique en utilisant les capuchons de connexion fournis. Connecter le fil NOIR au NOIR, le fil BLANC au BLANC et le fil VERT ou dénudé à la vis verte de mise à la terre. **NE PAS OUBLIER DE CONNECTER LA MISE À LA TERRE.** Remettre le couvercle du compartiment électrique en place.

VENTILATEURS EXTERNES OU EN LIGNE : Voir les directives incluses avec le ventilateur.



13. RACCORDER LES CONDUITS (TOUS LES MODÈLES)

A. Si l'accès au dessus de l'armoire demeure ouvert, aller au point 14 *Installer la hotte encastrable*, puis raccorder les conduits et sceller les joints à l'aide de ruban adhésif de métal.

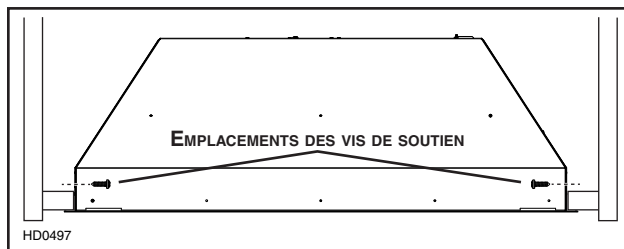
B. Lorsque l'accès au dessus de l'armoire est fermé, tirer doucement le conduit de métal à travers le trou de la base de l'armoire. Glisser ce conduit par-dessus l'adaptateur (ventilateur intérieur) ou par-dessus le collet de la plaque ventilateur (ventilateur en ligne ou extérieur). S'assurer que l'adaptateur entre dans le conduit. Sceller le joint à l'aide de ruban adhésif de métal.

14. INSTALLER LA HOTTE ENCASTRABLE

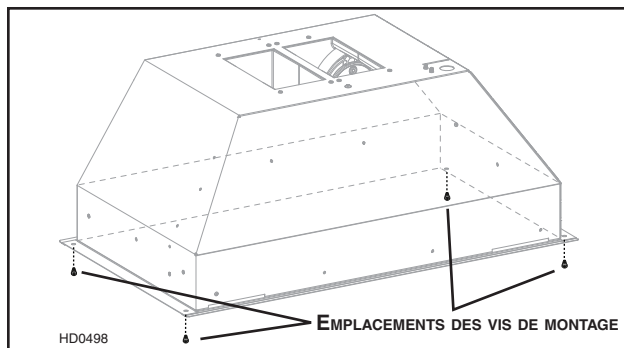
ATTENTION

Prendre soin de ne pas gauchir les conduits en installant la hotte encastrable.

TRUC : 2 des 6 vis plaquées chrome n° 8-18 x 1¼ po (incluses) peuvent être utilisées pour soutenir temporairement la hotte encastrable lors de son installation. Placer la hotte encastrable à l'intérieur de l'armoire et insérer les deux vis latérales. La hotte encastrable peut maintenant être fixée à l'armoire sans avoir à la maintenir en place.



À l'aide des vis plaquées chrome n° 8-18 x 1¼ po, encastrer la hotte dans son armoire. Installer 1 vis à chaque coin. (Voir l'illustration ci-contre pour l'emplacement des vis de montage.)



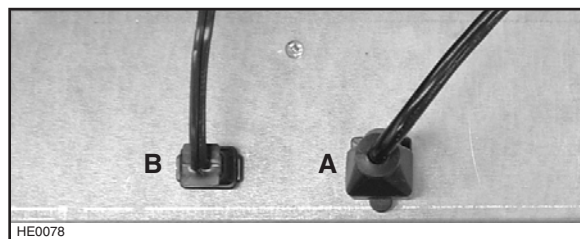
15. INSTALLER LE VENTILATEUR (SÉRIE PKEX22 SEULEMENT)

⚠ AVERTISSEMENT

Ne jamais brancher ensemble le fil du ventilateur au fil d'alimentation de la hotte.

Pour installer le ventilateur, voir les instructions comprises avec celui-ci.

Une fois le ventilateur installé, brancher le fil du ventilateur à la prise à 2 alvéoles (B) et le fil d'alimentation électrique de la hotte (A) à la fiche à 3 broches, à l'intérieur de la hotte encastrable.



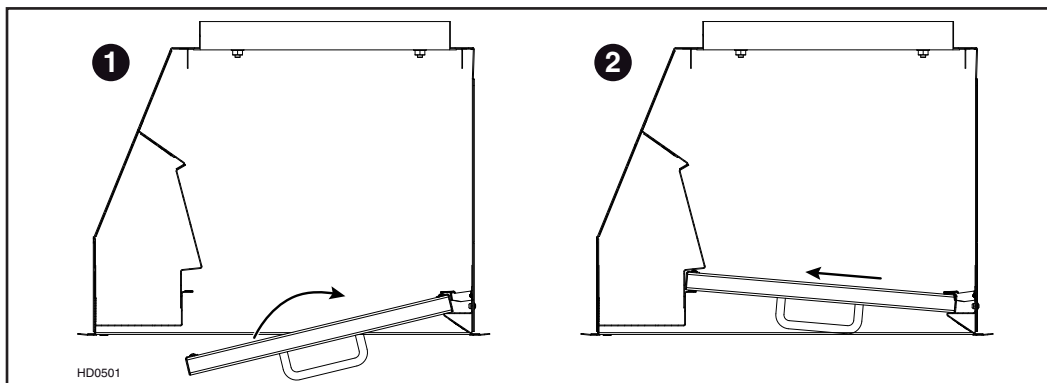
16. RÉINSTALLER LES FILTRES À CHICANE HYBRIDES

ATTENTION

Avant d'installer les filtres à chicane hybrides, retirer le plastique protecteur de ceux-ci.

- 1 Insérer une extrémité du filtre à chicane hybride dans le rail arrière de la hotte encastrable.
- 2 Lever l'autre extrémité du filtre à l'intérieur de la hotte et l'insérer dans le rail avant de la hotte encastrable.

Les filtres de remplacement sont offerts chez votre marchand. Voir l'étiquette à l'intérieur de la hotte encastrable pour le numéro de pièce.



17. CALIBRER LE VENTILATEUR IQ^{MC} (SÉRIE PK22 SEULEMENT)

Une fois la hotte encastrable installée et connectée, enclencher le processus de calibrage (notre Technologie de performance garantie s'assure que le débit d'air optimal sera émis). Avant le calibrage, s'assurer que les filtres, les ampoules et le conduit sont installés.

CALIBRAGE

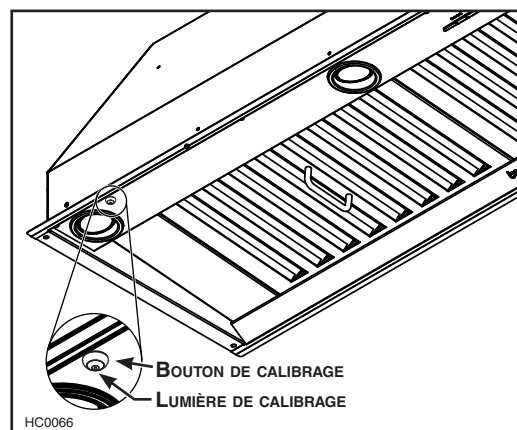
Maintenir le bouton de calibrage enfoncé pendant 3 secondes; le bouton s'allume pour une durée pouvant aller jusqu'à 13 minutes. Le ventilateur se met en marche et le calibrage commence. Une fois le calibrage terminé, il y a deux possibilités :

- A. Le ventilateur s'arrête et la lumière du bouton de calibrage s'allume = Calibrage réussi. Appuyer sur le bouton pour éteindre la DEL. NOTE : La DEL s'éteindra aussi si vous sélectionnez n'importe quelle vitesse de ventilateur à l'aide de la commande.
- B. Le ventilateur s'arrête et la lumière du bouton de calibrage clignote continuellement = Trop de restriction dans le conduit empêchant le ventilateur IQ^{MC} d'atteindre le débit d'air nominal. Le ventilateur se règle automatiquement à l'intensité maximale.

NOTE : Les causes les plus courantes de restriction sont : un clapet coincé (clapet antirefoulement, capuchon mural, capuchon de toit), un trop grand nombre de coudes, un conduit dont la dimension est inférieure à 80 % de la sortie de la hotte, une mauvaise transition, l'utilisation de conduit flexible et/ou un conduit écrasé.

Trois options s'offrent à vous si le débit de votre hotte encastrable est soumis à une restriction trop importante :

1. Accepter le débit tel quel. Appuyer sur le bouton de calibrage pour accepter le débit d'air tel quel. Le ventilateur IQ^{MC} est maintenant configuré au meilleur rendement possible. Le témoin de calibrage clignotant s'éteint. NOTE : La DEL s'éteindra aussi si vous sélectionnez n'importe quelle vitesse de ventilateur à l'aide de la commande.
2. Corriger la restriction, effacer les données du calibrage original et recommencer le calibrage.
 - a. Corriger la restriction dans le conduit.
 - b. Effacer les données de calibrage original en maintenant le bouton de calibrage enfoncé pendant 10 secondes. Le témoin clignotera alors 3 fois pour confirmer et le ventilateur retournera aux paramètres par défaut.
 - c. Recommencer le calibrage depuis le début.
3. Effacer les données de calibrage pour rétablir les paramètres par défaut de la hotte encastrable et obtenir le rendement standard à haute pression du ventilateur en maintenant le bouton de calibrage enfoncé pendant 10 secondes. Le témoin clignotera 3 fois pour confirmer et le ventilateur retournera aux paramètres par défaut.



18. AMPOULES

L'éclairage de cette hotte encastrable est produit par des ampoules halogènes avec écran (120 V, 50 W, PAR16 à culot GU10, 2 pour les hottes de 30 et 39 po de largeur, 3 pour la hotte de 45 po de largeur), incluses.

NOTE : Avant d'utiliser les ampoules, retirer le ruban adhésif (si présent).

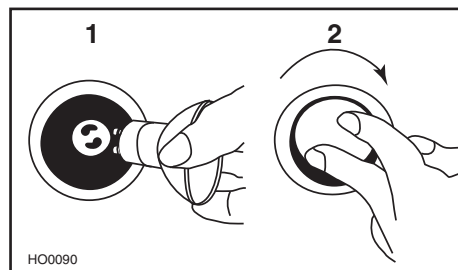
⚠ AVERTISSEMENT

Ne pas toucher aux lampes durant ou peu après leur utilisation. Peuvent causer des brûlures. Afin de réduire le risque de blessures corporelles, n'installer que des ampoules halogènes avec écran. Aussi, ne jamais installer une ampoule à faisceau froid, dichroïque, non conçue pour des luminaires encastrés ou conçue uniquement pour des luminaires fermés.

1. Installer les ampoules en glissant leurs conducteurs dans les rainures, à l'intérieur des douilles.
2. Pousser doucement vers le haut et tourner dans le sens des aiguilles d'une montre jusqu'à ce que les ampoules soient bien en place.

Pour retirer les ampoules, pousser doucement vers le haut et tourner dans le sens contraire des aiguilles d'une montre pour désengager les conducteurs hors de leurs rainures.

NOTE : Si nécessaire, utiliser un gant à vaisselle pour obtenir une meilleure prise de l'ampoule lors de son retrait ou utiliser la ventouse de Best pour faciliter le retrait des ampoules. Contacter le Service à la clientèle de Best au 1 800 558-1711 pour commander cette ventouse, n° de pièce 99526707.



19. ENTRETIEN

Filtres à chicane hybrides

Les filtres à chicane hybrides doivent être nettoyés fréquemment. Utiliser une solution d'eau chaude et de détergent. Nettoyer les filtres à chicane plus souvent si vos habitudes de cuisson génèrent plus de graisse, comme par exemple la friture ou les aliments sautés au wok.

Retirer les filtres à chicane en les poussant vers l'arrière de la hotte et en les retournant vers le bas. Les filtres à chicane sont lavables au lave-vaisselle. Laisser les filtres sécher complètement avant de les réinstaller dans la hotte encastrable.

Nettoyer les filtres fabriqués entièrement de métal au lave-vaisselle à l'aide d'un détergent sans phosphate. L'utilisation d'un détergent avec phosphate ainsi que les conditions locales de l'eau peuvent entraîner une décoloration des filtres, sans toutefois affecter leur performance. Cette décoloration n'est pas couverte par la garantie.

Nettoyage des ventilateurs internes

Retirer les filtres pour accéder aux ventilateurs et passer l'aspirateur. Ne pas les plonger dans l'eau.

Nettoyage de la hotte encastrable

Acier inoxydable :

À faire :

- Laver régulièrement les surfaces à l'aide d'un chiffon ou linge propre imbibé d'eau tiède et de savon doux ou de détergent liquide à vaisselle.
- Toujours nettoyer dans le sens du polissage.
- Toujours bien rincer avec de l'eau claire (2 à 3 fois) et essuyer complètement.
- Un nettoyant domestique conçu spécialement pour l'acier inoxydable peut aussi être utilisé.

À ne pas faire :

- Ne pas utiliser de laine d'acier ou d'acier inoxydable ou tout autre grattoir pour enlever la saleté tenace.
- Ne pas utiliser une poudre nettoyante abrasive ou rugueuse.
- Ne pas laisser la saleté s'accumuler.
- Ne pas laisser la poussière de plâtre ou tout autre résidu de construction atteindre la hotte. Couvrir la hotte pour la durée des travaux afin de s'assurer qu'aucune poussière n'atteigne la hotte.

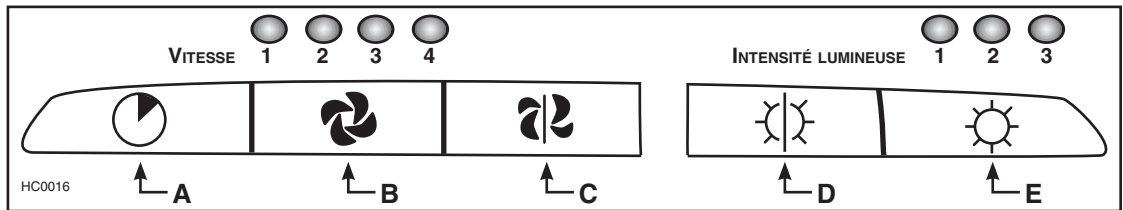
À éviter lors du choix d'un détergent :

- Tous produits nettoyants contenant des **agents de blanchiment**; ils attaqueront l'acier inoxydable.
- Tous produits contenant du **chlorure**, du **fluorure**, de l'**iode** ou du **bromure**; ils détérioreront rapidement les surfaces.
- Tous produits combustibles utilisés pour le nettoyage : **acétone**, **alcool**, **éther**, **benzène**, etc.; ils sont grandement explosifs et ne devraient jamais être utilisés près d'une cuisinière.

20. FONCTIONNEMENT

Toujours mettre en marche le ventilateur avant de commencer la cuisson afin d'établir une circulation d'air dans la cuisine. Aussi, laisser le ventilateur fonctionner quelques minutes après l'arrêt de la cuisinière afin d'aérer.

- A) Bouton d'arrêt différé
- B) Bouton de mise en marche/
Vitesse du ventilateur
- C) Bouton d'arrêt du ventilateur/
Entretien des filtres
- D) Bouton d'arrêt d'éclairage
- E) Bouton des ampoules halogènes
(3 réglages)



A. BOUTON D'ARRÊT DIFFÉRÉ :

Lorsque le ventilateur est en marche, appuyer sur ce bouton pour activer la fonction d'arrêt différé. L'indicateur lumineux de la vitesse correspondante commencera à clignoter pour indiquer que la fonction est activée. Le ventilateur continuera à fonctionner pendant 10 minutes, puis s'arrêtera automatiquement. Pour annuler la fonction d'arrêt différé, appuyer de nouveau sur ce bouton, le ventilateur fonctionnera alors en mode normal.

NOTE : Lorsque la fonction d'arrêt différé est activée, la vitesse du ventilateur peut être augmentée ou diminuée à l'intérieur du même cycle de 10 minutes.

B. BOUTON DE MISE EN MARCHÉ/VITESSE DU VENTILATEUR :

Appuyer sur ce bouton pour mettre en marche le ventilateur; il démarrera à la vitesse réglée avant son dernier arrêt. Pour modifier la vitesse du ventilateur, appuyer de nouveau sur le bouton jusqu'à l'obtention de la vitesse désirée. Appuyer et maintenir ce bouton enfoncé pendant 2 secondes afin de diminuer la vitesse par incréments de 1. Les diminutions possibles sont alors : 4 à 3; 3 à 2; 2 à 1 et 1 à ARRÊT. NOTES : 1. À chaque fois que l'on appuie sur ce bouton, la vitesse change par incréments de 1 (ex. : de la vitesse 1 à 2, à 3, puis à 4. À partir de la quatrième vitesse, le ventilateur revient à la première).

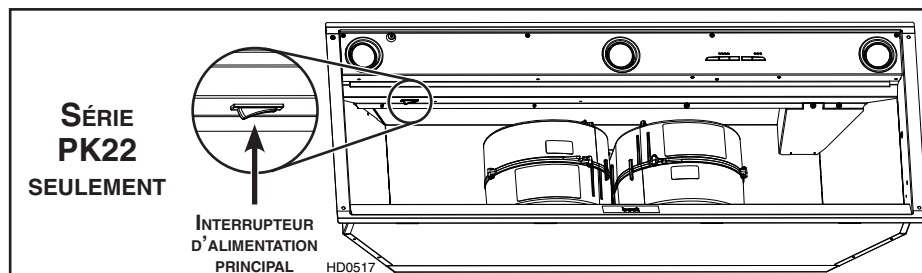
2. La dernière vitesse utilisée est gardée en mémoire. Lorsque le ventilateur est activé de nouveau, il reprend la même vitesse qu'au dernier réglage, sauf pour la 4e vitesse, où il se met en marche à la vitesse 3. La vitesse mémorisée est également synchronisée avec la télécommande optionnelle.

HEAT SENTRY^{MC}

La hotte est munie d'un dispositif de protection qui s'active lorsqu'une chaleur excessive est détectée à l'intérieur de la hotte. Ce dispositif prend le contrôle du ventilateur et désactive la vitesse 4 pour une période de 10 minutes et passe en vitesse 3. Durant l'activation du Heat Sentry, seule la vitesse 3 peut être utilisée; le bouton de la vitesse 4 clignotera, tandis que celui de la vitesse 3 s'allumera.

⚠ AVERTISSEMENT

Lors d'un feu de cuisson ou d'une chaleur excessive, le Heat Sentry peut mettre le ventilateur en marche même s'il est arrêté. Si tel est le cas, il est impossible d'arrêter le ventilateur à l'aide du bouton de la commande. Si vous devez arrêter le fonctionnement du ventilateur des modèles de la série PK22 : régler l'interrupteur d'alimentation principal situé derrière les filtres à chicane en position ARRÊT, s'il est possible de le faire de façon sécuritaire (voir ci-dessous). Pour les modèles de la série PKEX22 : faites-le depuis le panneau de distribution principal.



C. BOUTON D'ARRÊT DU VENTILATEUR/ENTRETIEN DES FILTRES :

Appuyer sur ce bouton pour arrêter le ventilateur et annuler la fonction d'arrêt différé (si activée).

NOTE : Après 25 heures de fonctionnement, les 4 voyants lumineux des vitesses de ventilateur clignoteront pendant 30 secondes pour signifier que les filtres ont besoin d'être nettoyés afin de maintenir leur haut niveau d'efficacité. Appuyer sur le bouton d'ARRÊT pour réinitialiser le code afin d'indiquer que l'entretien a été fait.

D. BOUTON D'ARRÊT D'ÉCLAIRAGE :

Appuyer sur ce bouton pour éteindre les lumières.

E. BOUTON DES LAMPES HALOGÈNES :

Appuyer sur ce bouton pour allumer les lampes halogènes. L'intensité d'éclairage change par incréments de 1 (ex. : appuyer une fois pour la basse intensité, une autre fois pour la moyenne, une fois encore pour la haute). Depuis la plus haute intensité, appuyer de nouveau pour retourner à la plus basse.

NOTE : La dernière intensité lumineuse utilisée est gardée en mémoire. La prochaine fois que l'éclairage sera utilisé, les lampes halogènes éclaireront à cette intensité. L'intensité mémorisée est également synchronisée avec la télécommande optionnelle.

TÉLÉCOMMANDE OPTIONNELLE :

La hotte encastrable peut également être contrôlée à l'aide de la télécommande de série ACR2 (acheter séparément).

21. GARANTIE

GARANTIE LIMITÉE DE UN AN DES PRODUITS BEST

Broan-NuTone LLC (« Broan-NuTone ») garantit à l'acheteur consommateur initial de ses produits qu'ils sont exempts de tout défaut dans les matières premières ou la main-d'œuvre, pour une période de un an à compter de la date d'achat par le consommateur initial. IL N'Y A PAS D'AUTRES GARANTIES, EXPRIMÉES OU IMPLICITES, INCLUANT, MAIS NON LIMITÉES AUX GARANTIES IMPLICITES POUR FIN DE COMMERCIALISATION ET DE CONVENANCE DANS UN BUT PARTICULIER.

Durant cette période de un an, Broan-NuTone, à sa discrétion, réparera ou remplacera gratuitement, tout produit ou pièce qui s'avère défectueux et ayant été utilisé normalement et d'une manière non abusive.

Cette garantie ne s'applique pas aux starters de fluorescent, tubes fluorescents et ampoules, fusibles, filtres, conduits, capuchons de toit, capuchons de mur et autres accessoires pour conduits. Cette garantie ne couvre pas (a) l'entretien et le service normal ou (b) tout produit ou pièce endommagé à la suite de mauvais usage, négligence, accident, entretien inapproprié ou réparation (autre que par Broan-NuTone), mauvaise installation ou installation non conforme au mode d'installation recommandé. La durée de toute garantie implicite est limitée à une période de un an telle qu'elle est spécifiée pour la garantie exprimée. Certains États ou provinces ne permettent pas de limite de temps sur les garanties implicites. Si tel est le cas, veuillez ne pas tenir compte de la dernière limite décrite ci-dessus.

L'ENGAGEMENT DE BROAN-NUTONE DE RÉPARER OU DE REMPLACER, AU CHOIX DE BROAN-NUTONE, SERA LA SEULE OBLIGATION EXCLUSIVE SOUS CETTE GARANTIE. BROAN-NUTONE NE SERA PAS TENUE RESPONSABLE DES DOMMAGES DIRECTS, INDIRECTS OU SPÉCIAUX SURVENANT À CAUSE DE OU EN RAPPORT À L'UTILISATION OU À LA PERFORMANCE DE SES PRODUITS. Certains États ou provinces ne permettent pas l'exclusion ou la limite relative aux dommages directs, indirects ou spéciaux. Si tel est le cas, veuillez ne pas tenir compte de l'exclusion ou de la limite ci-dessus.

Cette garantie vous donne des droits légaux spécifiques et il se peut que vous ayez d'autres droits qui varient d'un État ou d'une province à l'autre. Toute modification apportée à ce produit sans l'autorisation de Broan-NuTone annulera cette garantie. Cette garantie annule toutes les autres garanties précédentes.

Pour le service sous garantie, vous devez (a) aviser Broan-NuTone à l'une des adresses ou numéros de téléphone mentionnés plus bas, (b) donner le numéro du modèle et l'identification de la pièce et (c) décrire la nature de tout défaut dans le produit ou la pièce. Au moment de la demande de service sous garantie, vous devez présenter une preuve de la date d'achat initial dudit produit.

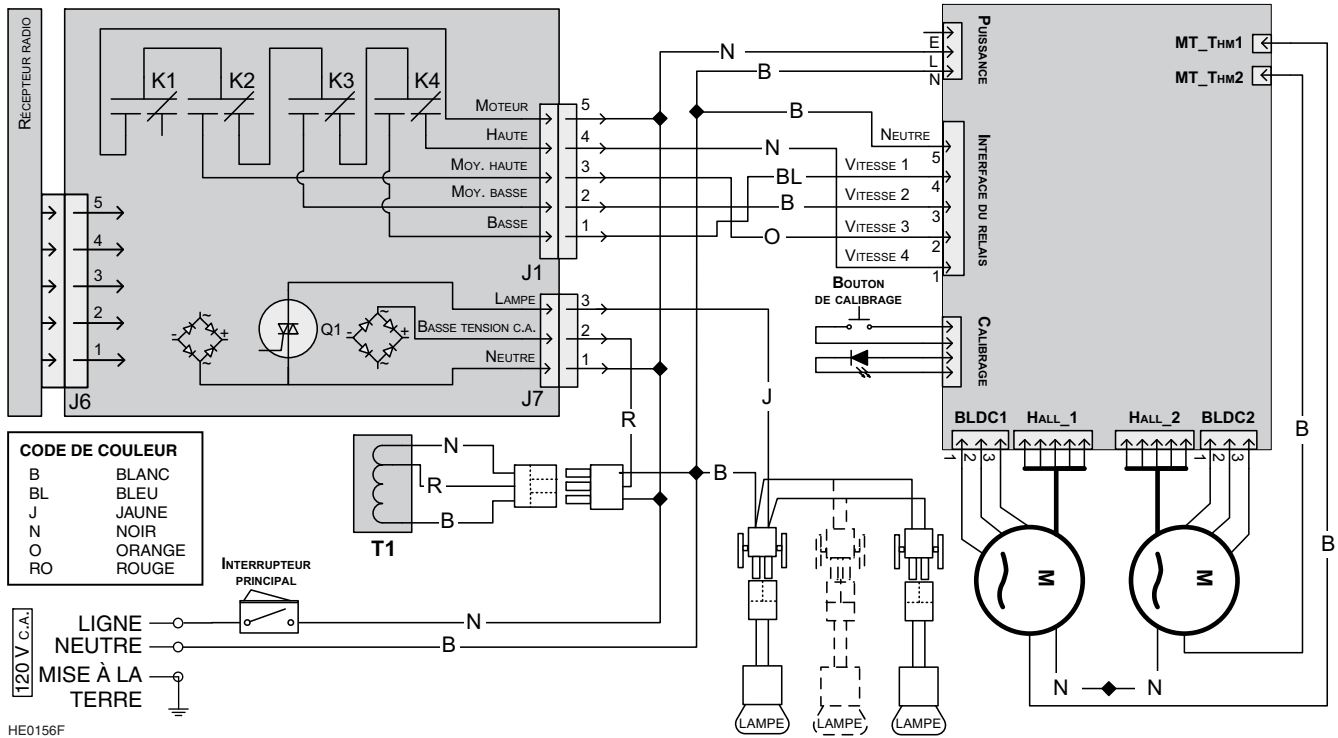
Aux États-Unis - Best®, 926 W. State Street, Hartford, WI 53027 (1 800 558-1711)

Au Canada - Best®, 550, boul. Lemire, Drummondville, QC, Canada (1 866 737-7770)

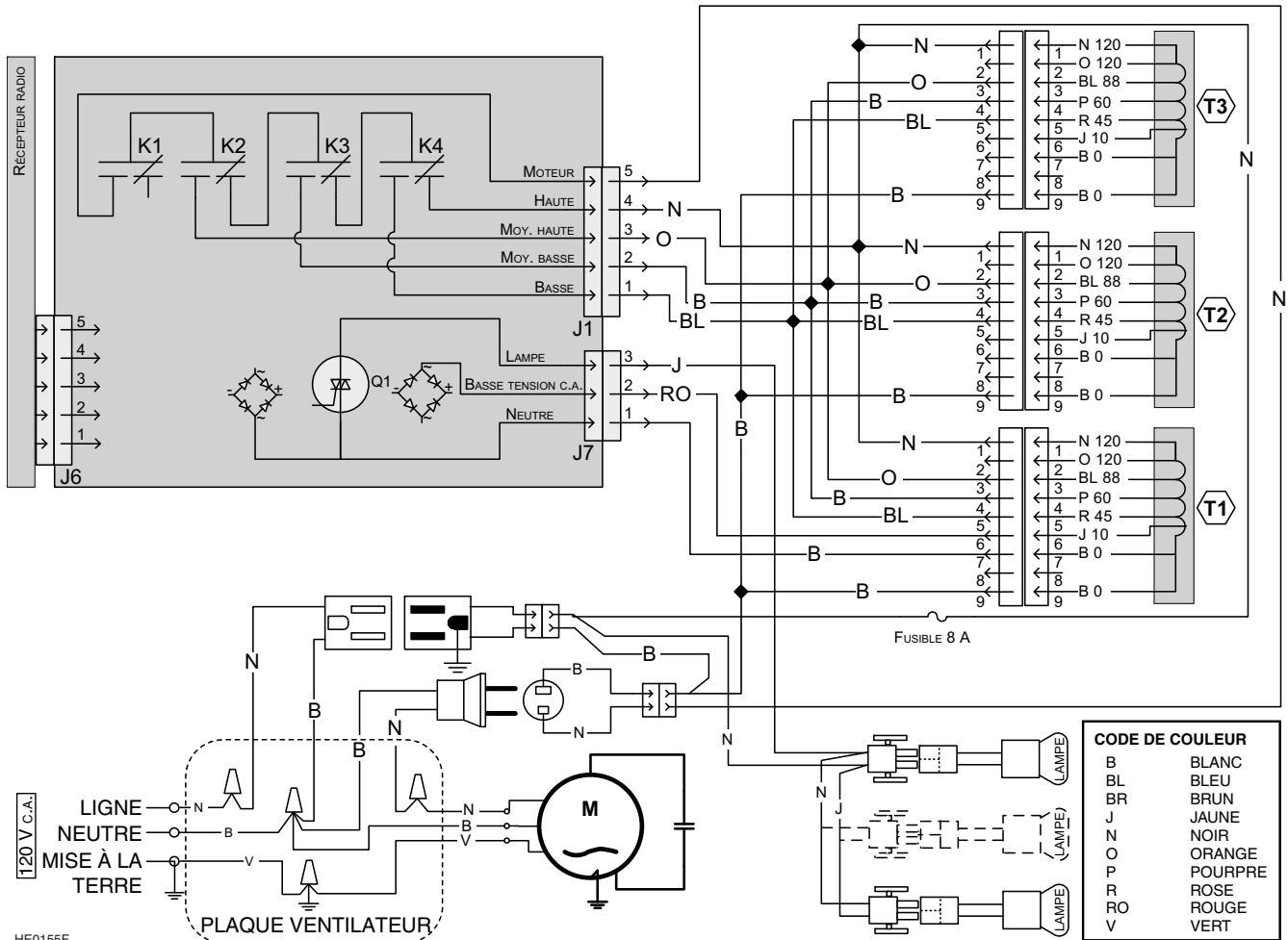
www.bestrangehoods.com

22. SCHÉMAS ÉLECTRIQUES

Best série PK22

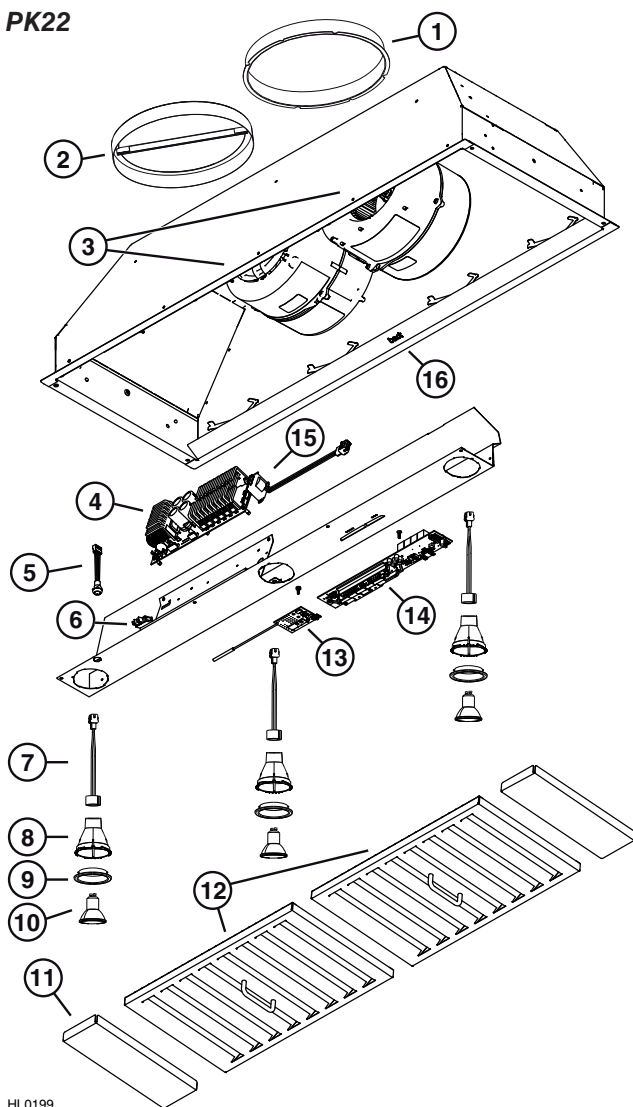


Best série PKEX22



23. PIÈCES DE REMPLACEMENT

Best série PK22



HL0199

PIÈCES DE REMPLACEMENT ET SERVICE

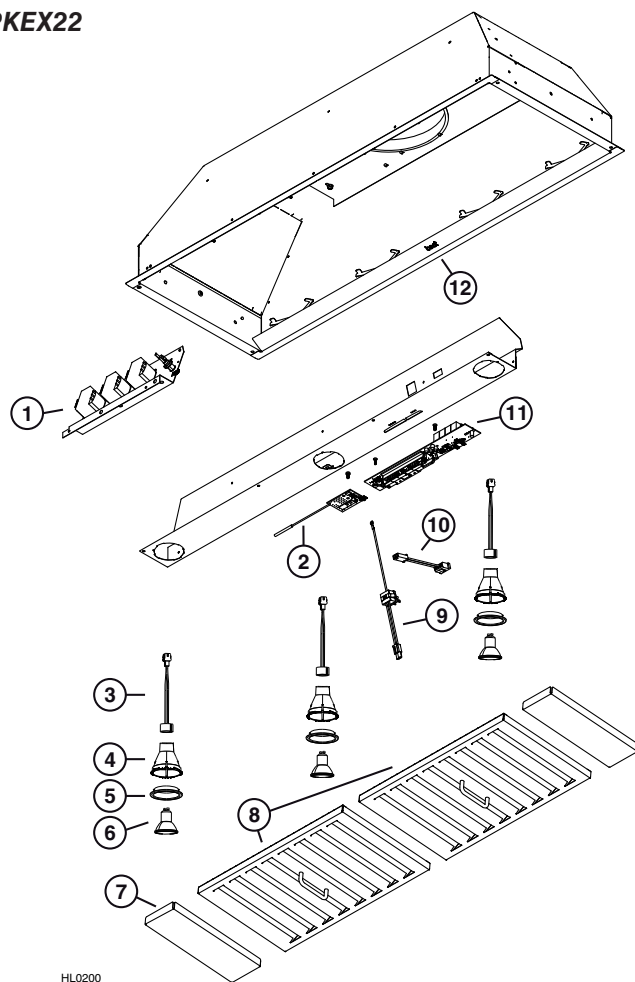
Pour assurer le bon fonctionnement de votre appareil, vous devez toujours utiliser des pièces d'origine provenant de Broan-NuTone. Les pièces d'origine de Broan-NuTone sont spécialement conçues pour satisfaire toutes les normes de certification de sécurité applicables. Leur remplacement par des pièces ne provenant pas de Broan-NuTone pourrait ne pas assurer la sécurité de l'appareil, entraîner une réduction sévère des performances ainsi qu'un risque de défaillance prématurée. Broan-NuTone recommande également de toujours vous référer à une entreprise de services compétente et reconnue par Broan-NuTone pour vos pièces de remplacement et appels de service.

N° RÉF.	N° PIÈCE	DESCRIPTION	QTÉ (LARGEUR DE LA HOTTE)		
			30 PO	39 PO	45 PO
1	SV08541	ADAPTATEUR ROND DE 10 PO	1	1	1
2	SV08542	VOLET ROND DE 10 PO	1	1	1
3	S97018985	VENTILATEUR BLDC, 600 PCM	2	2	2
4	SV20818	CARTE DE CIRCUIT IMPRIMÉE POUR VENTILATEUR DOUBLE BLDC	1	1	1
5	SV20817	BOUTON DE CALIBRAGE	1	1	1
6	SV08548	INTERRUPTEUR À BASCULE NOIR	1	1	1
7	SV05917	DOUILLE D'AMPOULE GU10	2	2	3
8	SV09435	SUPPORT DE DOUILLE D'AMPOULE GU10	2	2	3
9	SV09434	ANNEAU MÉTALLIQUE EN ACIER INOXYDABLE	2	2	3
10	SV05921	AMPOULE HALOGÈNE 120 V, 50 W, PAR16 À CULOT GU10	2	2	3
11	SV61044	ESPACEUR	0	0	2
12	SV61045	FILTRE À CHICANE AVEC MICROMESH + POIGNÉE 12 PO X 10 PO	2	0	0
	SV61046	FILTRE À CHICANE AVEC MICROMESH + POIGNÉE 17 PO X 10 PO	0	2	2
13	SV20816	CARTE DE CIRCUIT IMPRIMÉ POUR TÉLÉCOMMANDE	1	1	1
14	SV20814	CARTE DE CIRCUIT IMPRIMÉE POUR COMMANDE DU VENTILATEUR INTERNE	1	1	1
15	SV09022	TRANSFORMATEUR 120 V C.A., 9 VOLTS CC	1	1	1
16	SV05869	LOGO BEST	1	1	1
*	SV20827	GUIDE D'INSTALLATION	1	1	1
*	SV20830	SACHET DE PIÈCES : 1 SERRE-FILS, 2 CAPUCHONS DE CONNEXION, 2 VIS N° 8 x 3/8 PO, 6 VIS PLAQUÉES CHROME N° 8-18 x 1¼ PO	1	1	1

* NON ILLUSTRÉ.

23. PIÈCES DE REMPLACEMENT (SUITE)

Best série PKEX22



HL0200

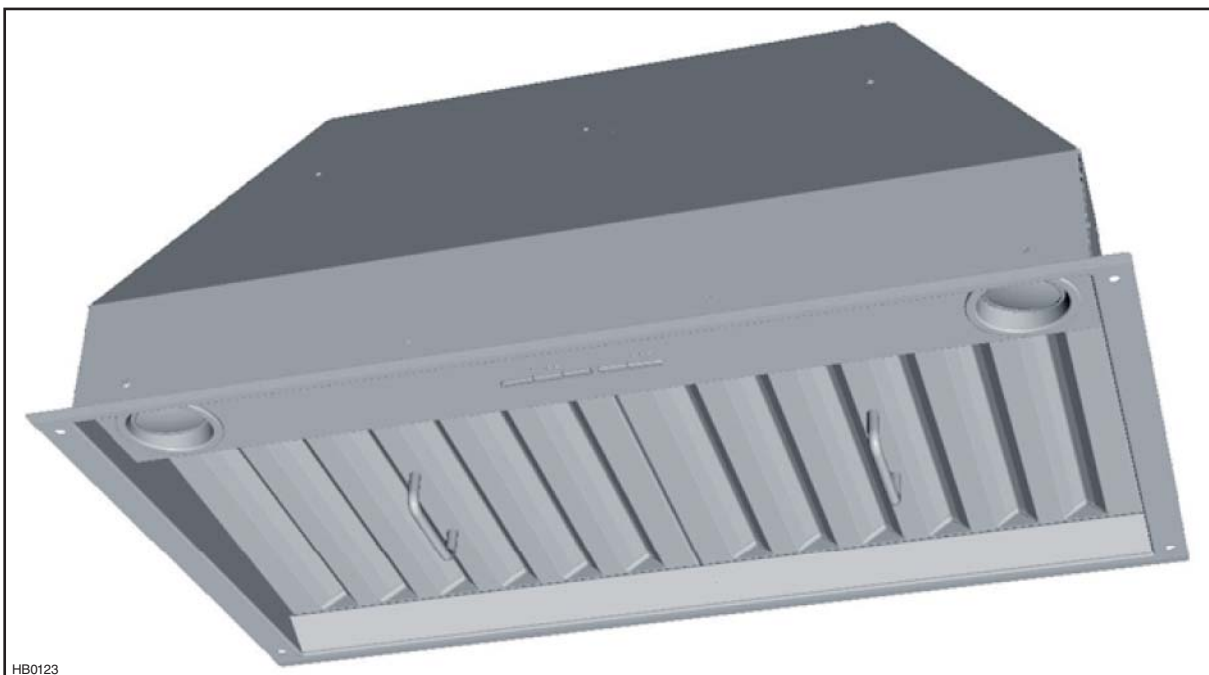
PIÈCES DE REMPLACEMENT ET SERVICE

Pour assurer le bon fonctionnement de votre appareil, vous devez toujours utiliser des pièces d'origine provenant de Broan-NuTone. Les pièces d'origine de Broan-NuTone sont spécialement conçues pour satisfaire toutes les normes de certification de sécurité applicables. Leur remplacement par des pièces ne provenant pas de Broan-NuTone pourrait ne pas assurer la sécurité de l'appareil, entraîner une réduction sévère des performances ainsi qu'un risque de défaillance prématurée. Broan-NuTone recommande également de toujours vous référer à une entreprise de services compétente et reconnue par Broan-NuTone pour vos pièces de remplacement et appels de service.

N° RÉF.	N° PIÈCE	DESCRIPTION	Qté (LARGEUR DE LA HOTTE)	
			39 PO	45 PO
1	SV61049	ENSEMBLE AUTOTRANSFORMATEUR ET FUSIBLE (SUPPORT MÉTALLIQUE INCLUS)	1	1
2	SV20816	CARTE DE CIRCUIT IMPRIMÉ POUR TÉLÉCOMMANDE	1	1
3	SV05917	DOUILLE D'AMPOULE GU10	2	3
4	SV09435	SUPPORT DE DOUILLE D'AMPOULE GU10	2	3
5	SV09434	ANNEAU MÉTALLIQUE EN ACIER INOXYDABLE	2	3
6	SV05921	AMPOULE HALOGÈNE 120 V, 50 W, PAR16 À CULOT GU10	2	3
7	SV61044	ESPACEUR	0	2
8	SV61046	FILTRE À CHICANE AVEC MICROMESH + POIGNÉE 17 PO X 10 PO	2	2
9	SV13924	CONNECTEUR D'ALIMENTATION MÂLE	1	1
10	SV13923	CONNECTEUR D'ALIMENTATION FEMELLE	1	1
11	SV20815	CARTE DE CIRCUIT IMPRIMÉE POUR COMMANDE DU VENTILATEUR EXTERNE	1	1
12	SV05869	LOGO BEST	1	1
*	SV20827	GUIDE D'INSTALLATION	1	1
*	SV20830	SACHET DE PIÈCES : 1 SERRE-FILS, 2 CAPUCHONS DE CONNEXION, 2 VIS N° 8x3/8 PO, 6 VIS PLAQUÉES CHROME N° 8-18 X 1 ¼ PO	1	1

* NON ILLUSTRÉ.

best®



HB0123

SERIES PK22 Y PKEX22

⚠ EXCLUSIVAMENTE PARA COCINAS DOMÉSTICAS ⚠

LEA ESTAS INSTRUCCIONES Y GUÁRDELAS

INSTALADOR: ENTREGUE ESTE MANUAL AL PROPIETARIO DE LA CASA.
PROPIETARIO: INFORMACIÓN SOBRE UTILIZACIÓN Y CUIDADO EN
LAS PÁGINAS 43 A 45.

BEST; Hartford, Wisconsin www.BestRangeHoods.com 800-558-1711

BEST; Drummondville, QC, Canada www.BestRangeHoods.com 866-737-7770

Para registrar su producto en línea o para obtener más información, visitar nuestro sitio
www.BestRangeHoods.com

ADVERTENCIA

PARA REDUCIR EL RIESGO DE INCENDIO, DESCARGA ELÉCTRICA O LESIÓN CORPORAL, RESPETE LAS SIGUIENTES INDICACIONES:

1. Utilice esta unidad únicamente de la forma en que indica el fabricante. Si tiene cualquier pregunta, póngase en contacto con el fabricante en la dirección o el teléfono que aparecen en la garantía.
2. Antes de reparar o limpiar el aparato, apáguelo en el tablero de servicio y bloquee los medios de desconexión para impedir que la corriente se conecte accidentalmente. Cuando no se pueda bloquear los medios de desconexión, coloque un dispositivo de advertencia visible (como una etiqueta) en el tablero de servicio.
3. La instalación y la conexión eléctrica deben ser realizadas por personal calificado de acuerdo con todos los códigos y normas aplicables, incluso los relativos a la construcción ignífuga.
4. Para lograr una combustión adecuada y una extracción correcta de los gases a través de la salida del humo (chimenea) del equipo quemador de combustible — evitando así el contratiempo — es necesario disponer de aire suficiente. Siga las directrices del fabricante del equipo de material térmico y las normas de seguridad, como las que publica la NFPA (asociación de protección contra los incendios) y la ASHRAE (sociedad estadounidense de técnicos de calefacción, refrigeración y aire acondicionado) así como los códigos de los organismos responsables locales.
5. Al cortar o perforar la pared o el techo, procure no dañar el cableado eléctrico ni otras instalaciones de servicios públicos.
6. Los ventiladores entubados siempre deben tener salida al exterior.
7. No utilice este aparato con un dispositivo de control de velocidad con semiconductores.
8. Para reducir el riesgo de incendio, utilice sólo tuberías metálicas.
9. Este aparato debe conectarse a tierra.
10. Cuando una reglamentación local esta en vigor y conlleva exigencias de instalación y/o de certificación más estrictas, susodichas exigencias prevalecen sobre aquellas en este documento y el instalador acepta someterse a estas exigencias a sus gastos.

PARA REDUCIR EL RIESGO DE QUE ARDA LA GRASA EN LA PARTE SUPERIOR DE LA COCINA:

- a) No deje nunca recipientes de cocina a fuego vivo sin vigilancia. Los desbordamientos producen humo y derrames grasientos que pueden inflamarse. Caliente el aceite despacio, a fuego lento o mediano.
- b) Ponga en marcha siempre la campana extractora al cocinar a temperaturas elevadas o al cocinar alimentos flameados (crepas Suzette, cerezas jubilee, res con pimienta flambeada).
- c) Limpie los ventiladores con frecuencia. No deje que la grasa se acumule en el ventilador, ni en los filtros o en los conductos de evacuación.
- d) Utilice cacerolas de tamaño apropiado. Emplee siempre un recipiente adecuado para el tamaño de la placa.

PARA REDUCIR EL RIESGO DE LESIONES CORPORALES EN EL CASO DE QUE ARDA LA GRASA EN LA PARTE SUPERIOR DE LA COCINA, SIGA ESTAS INDICACIONES*:

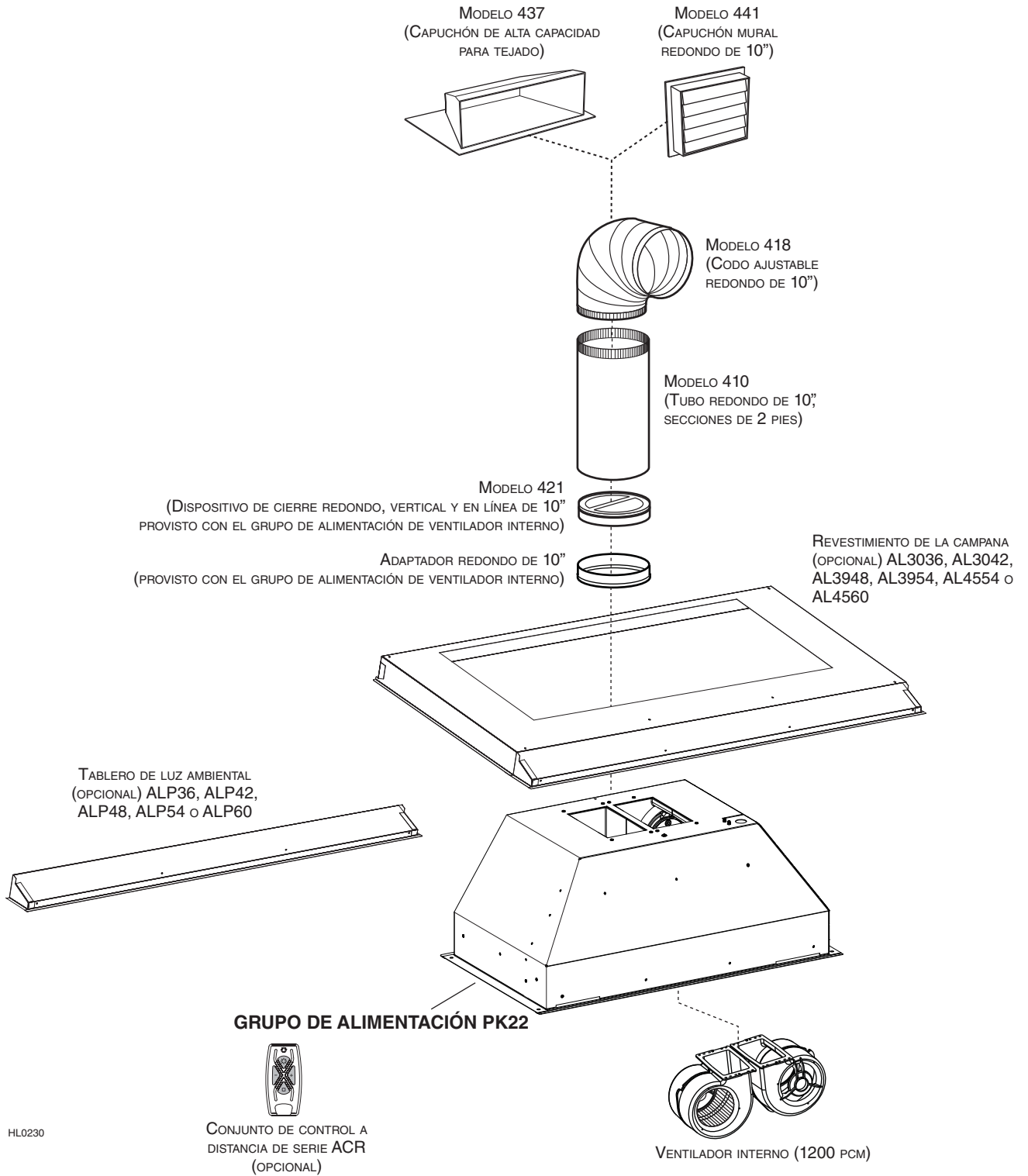
1. SOFOQUE LAS LLAMAS con una tapa ajustada, una hoja o bandeja metálica para hornear galletas, y apague luego el quemador. TENGA CUIDADO PARA EVITAR QUEMADURAS. SI LAS LLAMAS NO SE APAGAN INMEDIATAMENTE, EVACUE EL LUGAR Y LLAME A LOS BOMBEROS.
2. NO SUJETE NUNCA UNA SARTÉN EN LLAMAS ya que podría quemarse.
3. NO USE AGUA, ni trapos húmedos. Podría causar una violenta explosión de vapor.
4. Utilice un extintor SOLAMENTE si:
 - A. Tiene un extintor de tipo ABC y sabe usarlo.
 - B. El incendio es pequeño y está circunscrito a la zona donde empezó.
 - C. Ya ha llamado a los bomberos.
 - D. Puede tratar de apagar el fuego si dispone siempre de una salida detrás de usted.

* Fuente: "Kitchen Fire Safety Tips" publicado por la NFPA.

PRECAUCIÓN

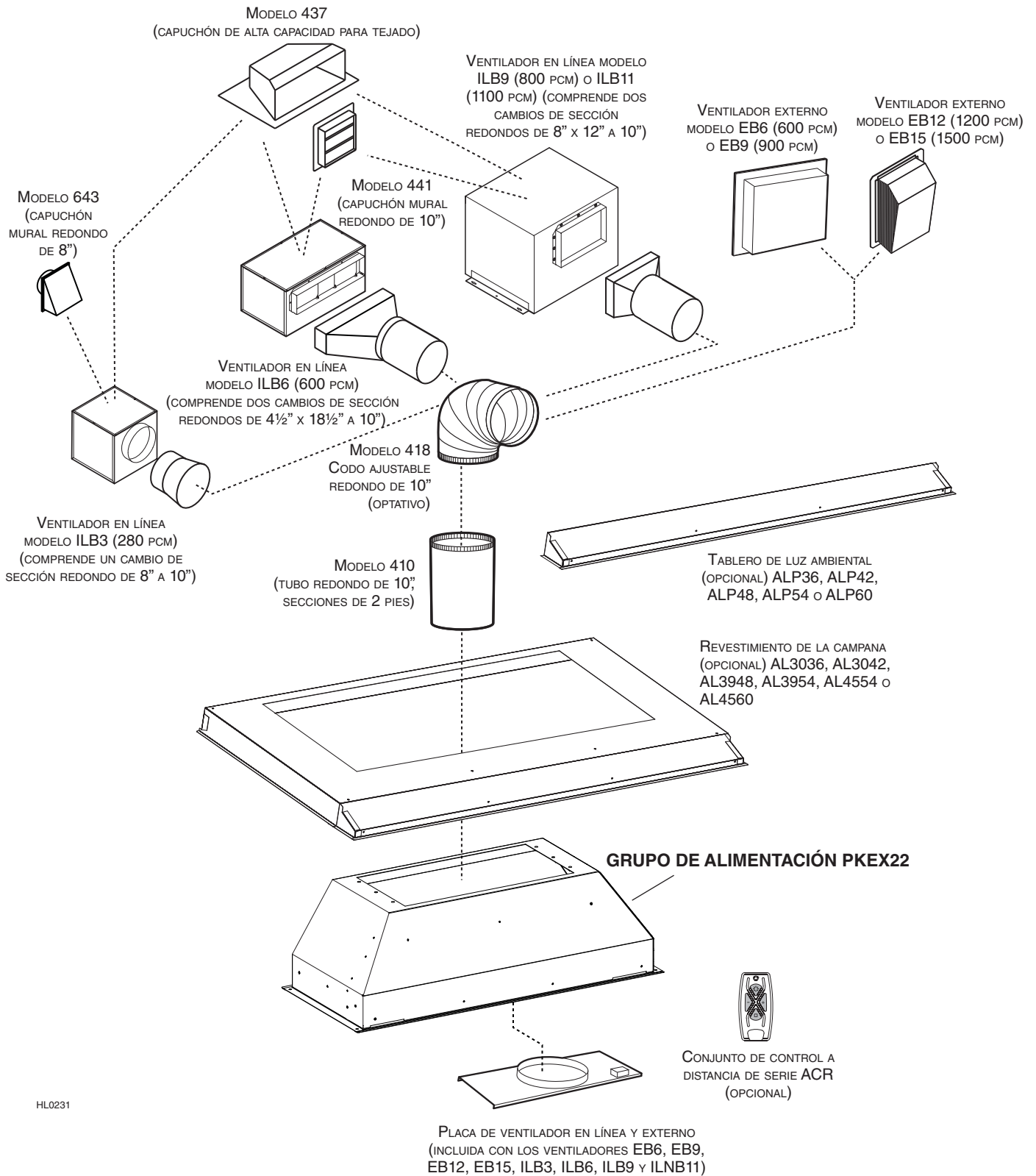
1. Sólo para una utilización en el interior.
2. Sólo para ventilación general. No debe utilizarse para extraer materiales o vapores peligrosos o explosivos.
3. Para evitar daños en el cojinete del motor y que la hélice haga ruido o se desequilibre, mantenga la unidad de alimentación lejos de los vaporizadores de pirca, del polvo de la construcción, etc.
4. El motor de la campana tiene un dispositivo contra sobrecargas térmicas que apaga el motor automáticamente si éste se sobrecalienta. El motor volverá a ponerse en marcha cuando se enfríe. Si el motor sigue apagándose, haga examinar la campana.
5. Para que la campana capte bien las impurezas que se desprenden al cocinar, la distancia mínima entre el grupo de alimentación y la superficie de la cocina no debe ser inferior a 24 pulgadas ni superior a 30 pulgadas.
6. Dado el peso y el tamaño de esta unidad, se aconseja que la instalen dos personas.
7. Para reducir los riesgos de incendio y extraer el aire debidamente, el aire debe evacuarse fuera. No extraiga el aire a espacios situados entre las paredes, en el techo o en el desván, falso techo o garaje.
8. Este producto está equipado con un termostato que puede poner en marcha el ventilador automáticamente. Para reducir el riesgo de que se produzcan daños y evitar poner en marcha la alimentación accidentalmente, apague la corriente en el tablero de servicio, bloquee este tablero o ponga una etiqueta de advertencia.
9. Dada la gran capacidad extractora de esta campana, debería asegurarse de que en la casa entra suficiente aire para sustituir el aire extraído. Abra una ventana en la cocina o cerca de ella.
10. Para reducir el riesgo de incendio y de choque eléctrico, los modelos de las series PK22 de Best deben instalarse únicamente con sus propios ventiladores incorporados. Los modelos de la serie PKEX22 sólo deben instalarse con los modelos de ventiladores externos EB6, EB9, EB12 o EB15 de Best, o con los modelos de ventiladores en línea ILB3, ILB6, ILB9 o ILB11 de Best. No emplee otros ventiladores.
11. Los modelos PKEX22 que se usan con un ventilador ILB3, ILB6 o EB6 deben instalarse sobre cocinas con un máximo de 60,000 Btu/hr.
12. Para mayor información y conocer los requisitos, lea la etiqueta con las especificaciones en el producto.
13. Este grupo de alimentación está equipado con un receptor de RF (control remoto opcional se vende por separado). Los cambios o modificaciones no aprobadas expresamente por la parte responsable del cumplimiento podrían anular la autoridad del usuario para operar el equipo. Este control remoto ha sido probado y cumple con los límites establecidos para un dispositivo digital de clase B, acorde a la parte 15 del Reglamento de la FCC e ICES-003 canadiense. Estos límites están diseñados para proporcionar una protección razonable contra interferencias perjudiciales en una instalación residencial. Este control remoto genera, utiliza y puede irradiar energía de radiofrecuencia y, si no se instala y utiliza de acuerdo con las instrucciones, puede causar interferencias perjudiciales a las comunicaciones por radio. Sin embargo, no hay garantía de que no se produzcan interferencias en una instalación particular. Si este equipo causa interferencias perjudiciales para la recepción de radio o televisión, lo cual puede determinarse apagando y encendiendo el equipo, se recomienda al usuario que intente corregir la interferencia por una o varias de las siguientes medidas:
 - Reoriente o cambie la localización de la antena receptora
 - Aumentar la distancia entre el equipo y el receptor
 - Conecte el equipo en un tomacorriente localizado en un circuito diferente al que está conectado el receptor

- SISTEMA CON EL GRUPO DE ALIMENTACIÓN - SERIE PK22



HL0230

- SISTEMA CON EL GRUPO DE ALIMENTACIÓN - SERIE PKEX22



HL0231

1. INSTALACIÓN DE LOS TUBOS Y DE LAS CONEXIONES ELÉCTRICAS

Para el grupo de alimentación de la serie PKEX22 debe utilizarse un ventilador externo o en línea. El grupo de alimentación de la serie PKEX22 debe instalarse únicamente con los modelos de ventilador ILB3, ILB6, ILB9, ILB11, EB6, EB9, EB12 o EB15. Estos ventiladores no pueden sustituirse por otros (los ventiladores se venden aparte).

Si instala un ventilador externo o en línea, consulte las instrucciones que vienen con el ventilador y siga las etapas 1 a 6, 11 a 16, 18 y posteriores de este manual

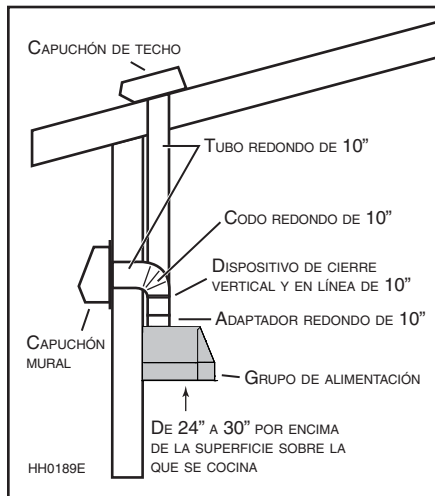
Planifique el lugar y la forma en que instalará las tuberías.

Un tubo recto y corto permitirá que el grupo de alimentación funcione más eficazmente. Las instalaciones con tubos largos, codos y cambios de sección reducen la eficacia del grupo de alimentación. Utilice el menor número de tubos posible. Una instalación mayor exigirá tubos más largos.

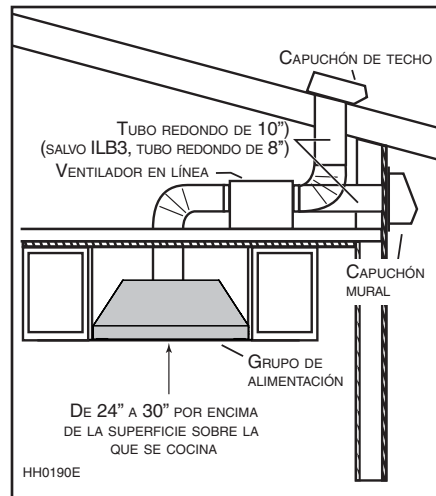
Use tubos, codos y capuchones murales y para el tejado del tamaño adecuado, según el tipo de ventilador que vaya a instalar. Conecte el tubo metálico al capuchón y vaya retrocediendo hasta el lugar donde instalará la campana. Utilice cinta adhesiva metálica de 2" para sellar las juntas.

La distancia mínima a la que debe estar el grupo de alimentación con respecto a la superficie sobre la que se va a cocinar no debe ser inferior a 24". Se aconseja una distancia máxima de 30" por encima de dicha superficie para que la campana capte mejor las impurezas.

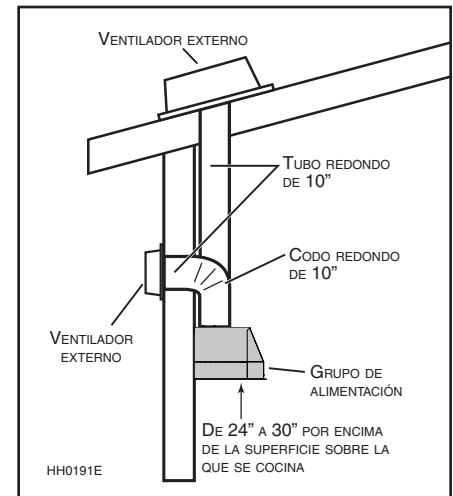
Las distancias de más de 30" quedan a discreción del usuario.



INSTALACIÓN HABITUAL DE LOS TUBOS, CON UN DOBLE VENTILADOR INTERNO DE LA SERIE PK22



INSTALACIÓN HABITUAL DE LOS TUBOS CON UN VENTILADOR EN LÍNEA DE LA SERIE PKEX22 (UBICACIÓN DEL VENTILADOR SÓLO A MODO DE EJEMPLO)



INSTALACIÓN HABITUAL DE LOS TUBOS CON UN VENTILADOR EXTERNO DE LA SERIE PKEX22

NOTA: Para los ventiladores externos instalados cerca del grupo de alimentación, el nivel sonoro puede ser superior al indicado para los ventiladores internos.

2. PREPARACIÓN DE LA INSTALACIÓN

⚠ ADVERTENCIA

Se aconseja llevar lentes y guantes de seguridad para instalar, reparar o limpiar la unidad.

NOTA: Antes de comenzar la instalación, verificar el contenido de la caja. Si alguna pieza falta o está dañada, póngase en contacto con el fabricante.

Verifique que la caja contenga los siguientes elementos:

- Grupo de alimentación
 - Instrucciones de instalación
 - Accesorios:
 - 2 filtros híbridos con manijas
 - Bombillas halógenas protegidas (120 V, 50 W con base GU10) (2 para los grupos de alimentación de 30" y 39" de ancho, 3 para el grupo de alimentación de 45" de ancho)
 - Adaptador redondo de 10" y dispositivo de cierre de 10" (incluidos sólo en la serie de grupo de alimentación PK22, no en la serie PKEX22)
 - Bolsa con piezas: 1 abrazadera de hilos, 2 conectores de hilos, 2 tornillos n.º 8 x 3/8", 6 tornillos cromados n.º 8-18 x 1 1/4"
- Si procede, deseche los tornillos sobrantes.

2. PREPARACIÓN DE LA INSTALACIÓN (CONTINUACIÓN)

Piezas vendidas aparte:

- Conjunto de ventilador en línea, modelo ILB3, ILB6, ILB9 o ILB11.
- Conjunto de ventilador externo, modelo EB6, EB9, EB12 o EB15.
- Revestimiento de la campana, modelo AL3036, AL3042, AL3948, AL3954, AL4554 o AL4560 (opcional).
- Tablero de luz ambiental, modelo ALP36, ALP42, ALP48, ALP54 o ALP60 (opcional).
- Control remoto de la serie ACR (opcional).
- Tubos, codos, capuchones murales y para el tejado. Consulte las páginas 35 y 36 para ver la lista completa de opciones de ventilación y los números de modelo.
- Adaptador redondo de 10" con el conjunto de la placa del ventilador para los modelos de la serie PKEX22 (viene con el conjunto de ventilador en línea o externo).

NOTA: Proteja las encimeras y la superficie sobre la que cocina durante la instalación.

3. PREPARACIÓN DE LA CAMPANA A MEDIDA

⚠ ADVERTENCIA

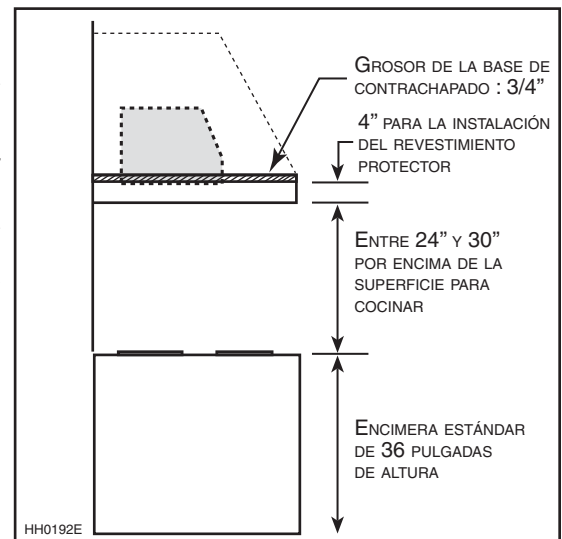
- **Siga siempre todos los códigos y normas de construcción aplicables al construir una campana a medida.**
- **Verifique que el armario pueda soportar su propio peso y el del grupo de alimentación. De no ser así, se podrían producir daños corporales, en la encimera y en la superficie sobre la que se cocina.**

La campana debe construirse en función del tamaño y de la forma del grupo de alimentación. Se precisa apoyo estructural para soportar el peso de la campana.

Empiece con la base de la campana, ya que su posición determinará la altura del grupo de alimentación. Aconsejamos una base de contrachapado de 3/4" de grosor para la campana. Si se instala un revestimiento de campana opcional, aconsejamos que los lados y la parte delantera de la campana tengan un grosor de 3/4", suponiendo que la anchura del armario sea estándar. Si no se instala un revestimiento de campana opcional, el grosor de los lados y de la parte delantera de la campana queda a discreción del instalador.

Lleve el cable de alimentación hasta la ubicación de la instalación. Saque un trozo de cable eléctrico de 4 pies de largo por debajo de la campana.

ANCHURA DEL GRUPO DE ALIMENTACIÓN	CON VENT. INTERNO	CON VENT. EN LÍNEA O EXTERNO
30"	50 LB.	-
39"	54 LB.	36 LB.
45"	57 LB.	39 LB.



4. INSTALACIÓN DEL REVESTIMIENTO DE LA CAMPANA (OPCIONAL)

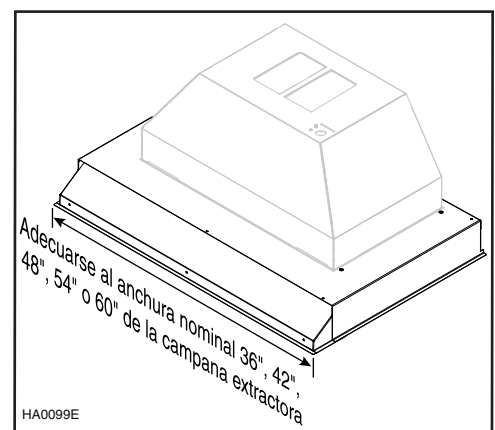
Los revestimientos están pensados específicamente para proteger la base exterior de la campana. Consulte la tabla que aparece más adelante para encontrar el modelo de revestimiento adecuado para la anchura de su grupo de alimentación y campana. Para ver las especificaciones —incluso la profundidad de cada modelo de revestimiento—, consulte el sitio web www.BestRangeHoods.com o póngase en contacto con los servicios de apoyo técnico (el teléfono viene en la página 45, en la sección sobre la garantía).

Para instalar el revestimiento, consulte las instrucciones que vienen con él.

El revestimiento debe instalarse antes que el grupo de alimentación.

NOTA: En algunos modelos de revestimiento, la pieza delantera puede coincidir con el reborde delantero del grupo de alimentación. De ser así, retire la pieza delantera del revestimiento, instale el grupo de alimentación y vuelva a poner en su lugar la pieza delantera del revestimiento.

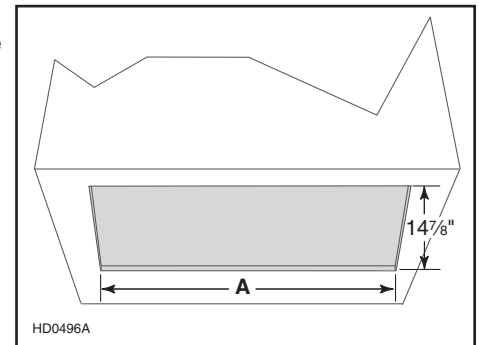
MODELO DE REVESTIMIENTO	MODELO DE GRUPO DE ALIMENTACIÓN	ANCHURA NOMINAL DE LA CAMPANA
AL3036	PK2230	36 PO
AL3042	PK2230	42 PO
AL3948	PK2239/PKEX2239	48 PO
AL3954	PK2239/PKEX2239	54 PO
AL4554	PK2245/PKEX2245	54 PO
AL4560	PK2245/PKEX2245	60 PO



5. CORTE UN ORIFICIO EN LA BASE DE LA CAMPANA

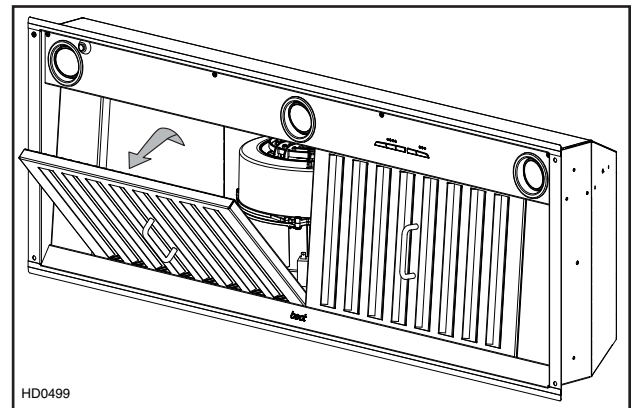
Si no está hecho, corte un orificio en la base de la campana, utilizando las dimensiones que aparecen a continuación.

ANCHURA DEL GRUPO DE ALIMENTACIÓN	A
30"	26 $\frac{3}{16}$ "
39"	34 $\frac{15}{16}$ "
45"	41 $\frac{7}{8}$ "



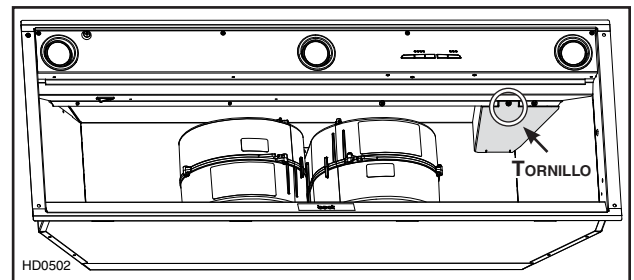
6. DESMONTAJE DE LOS FILTROS HÍBRIDOS

Retire la cinta de los filtros. Saque los filtros del grupo de alimentación y póngalos aparte.



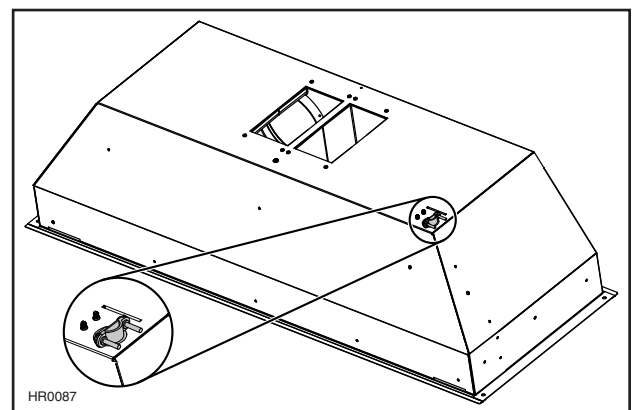
7. RETIRE LA TAPA DEL COMPARTIMENTO ELÉCTRICO (SERIE PK22 ÚNICAMENTE)

Retire desde el interior del grupo de alimentación la tapa del compartimento de cableado. Para ello, quite el tornillo que la sujeta y consérvelo.



8. INSTALE LA ABRAZADERA DE HILOS (SERIE PK22 ÚNICAMENTE)

Instale la abrazadera de hilos (viene en la bolsa de piezas) en la parte superior del grupo de alimentación.



9. INSTALACIÓN DEL ADAPTADOR DE 10" (SERIE PK22 ÚNICAMENTE)

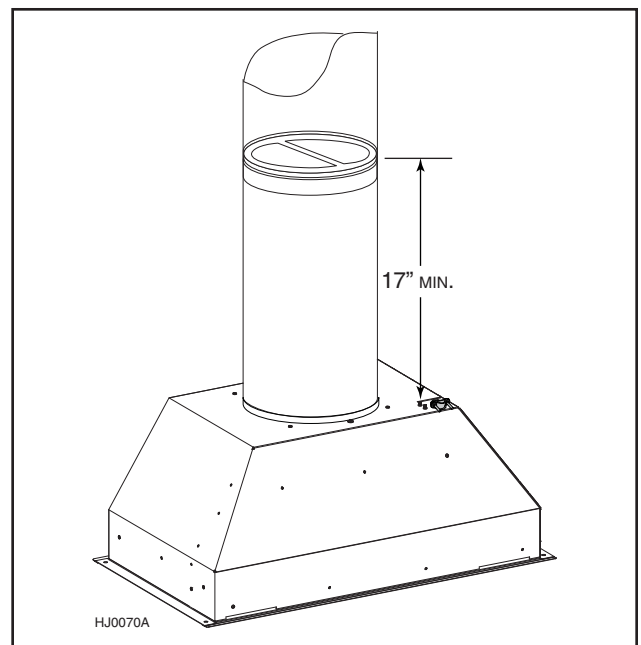
Utilice 2 tornillos n.º 8 x 3/8" de la bolsa de piezas para instalar el adaptador en la parte superior del grupo de alimentación. Precinte todas las juntas con cinta adhesiva metálica para tubos para que no se escape el aire.



10. INSTALACIÓN DEL DISPOSITIVO DE CIERRE DE 10" (SERIES PK22 ÚNICAMENTE)

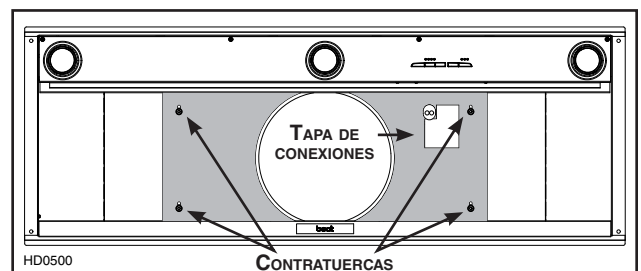
Instale el dispositivo de cierre de 10" (modelo 421, viene con el grupo de alimentación de la serie PK22) en el tubo vertical que se unirá al grupo de alimentación. **No lo instale en un tubo horizontal ni directamente en la parte superior del adaptador o no abrirá ni cerrará debidamente.** Quite la cinta adhesiva, de haberla. Sujete el dispositivo de cierre al tubo con 3 tornillos para hoja metálica n.º 8 (no provistos). Compruebe que el dispositivo de cierre abre y cierra sin dificultades. Selle todas las juntas con cinta adhesiva metálica para evitar que el aire se escape.

NOTA: Para facilitar la circulación del aire y un funcionamiento silencioso, ponga el dispositivo de cierre al menos 17" por encima del grupo de alimentación o tan lejos como lo permita la disposición del tubo (véase la figura de la derecha).



11. INSTALACIÓN DE LA PLACA PARA EL VENTILADOR EXTERIOR (SERIE PKEX22 ÚNICAMENTE)

Consulte las instrucciones que vienen con el ventilador y la placa del ventilador (vendidos aparte) para ver cómo se instala la placa del ventilador. Instale la placa de manera que la caja de conexiones esté situada a la derecha cuando usted este frente a la campana, como este especificado en la etiqueta del ventilador.



12. CONEXIÓN DEL CABLEADO (TODOS LOS MODELOS)

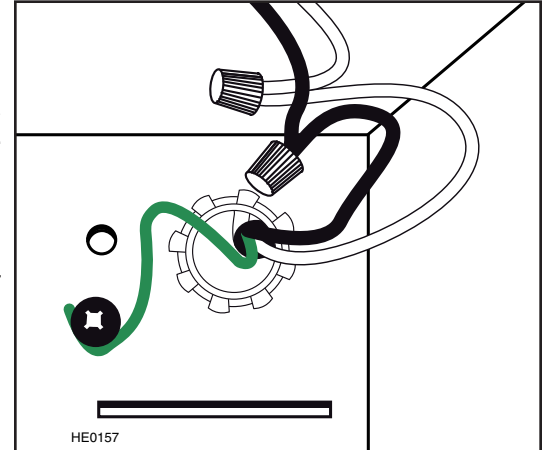
⚠ ADVERTENCIA

Riesgo de choque eléctrico. La conexión eléctrica debe hacerla personal competente con arreglo a los códigos y normas en vigor. Antes de conectar los hilos, corte la alimentación en el tablero de servicio y bloquee los medios de desconexión para impedir que la corriente se conecte accidentalmente.

Ponga el grupo de alimentación debajo de la campana instalada.

VENTILADORES INTERIORES: Introduzca el cable de conexión doméstico a través de la abrazadera para hilos instalada en la etapa 8. Apriete la abrazadera para sujetar el cable. Conecte el cable en la caja de conexiones con los conectores. Conecte el hilo NEGRO con el NEGRO, el BLANCO con el BLANCO y el VERDE o DESNUDO en el tornillo de tierra verde. **NO OLVIDE CONECTAR LA TIERRA.** Vuelva a instalar la tapa de conexiones.

VENTILADORES EXTERNO O EN LÍNEA: Consulte las instrucciones que vienen con el ventilador.



13. CONEXIÓN DEL CONDUCTO (TODOS LOS MODELOS)

A. Cuando hay acceso a la parte superior de la campana, conecte el tubo y selle las conexiones con cinta adhesiva metálica después de la etapa 14 – *Instalación del grupo de alimentación.*

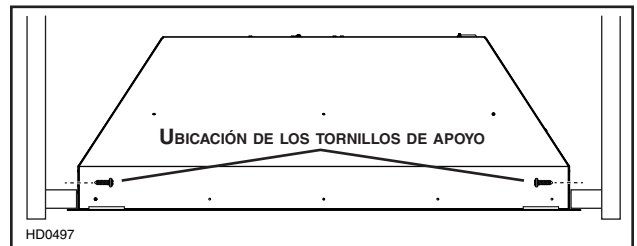
B. Cuando no haya acceso a la parte superior de la campana, jale hacia abajo cuidadosamente el tubo metálico a través del orificio de la campana. Deslice este tubo sobre el adaptador (ventilador interno) o sobre el reborde de la placa del ventilador (ventilador externo). Compruebe que el conjunto del adaptador y del dispositivo de cierre haya entrado en el tubo. Selle la conexión con cinta adhesiva metálica.

14. INSTALACIÓN DEL GRUPO DE ALIMENTACIÓN

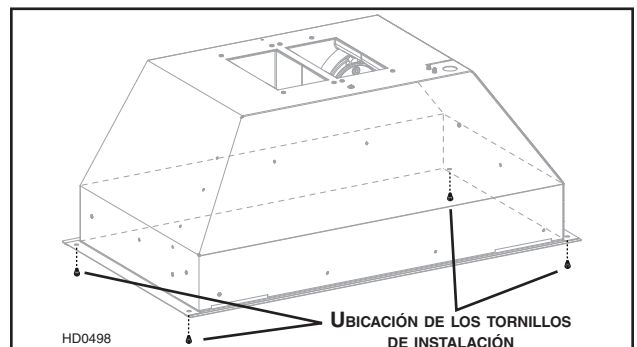
PRECAUCIÓN

Procure no doblar los tubos al instalar el grupo de alimentación.

CONSEJO: Se pueden usar 2 de los 6 tornillos cromados n.º 8-18 x 1¼” provistos para sujetar temporalmente la campana durante la instalación. Ponga el grupo de alimentación dentro de la campana e introduzca los tornillos en los lados. Ahora el grupo de alimentación se puede sujetar a la campana sin tener que mantenerlo a mano.



Utilice los tornillos cromados n.º 8-18 x 1¼” provistos para sujetar el grupo de alimentación dentro de la campana. Instale un tornillo en cada esquina. (Véase la figura de al lado para la ubicación de los tornillos.)



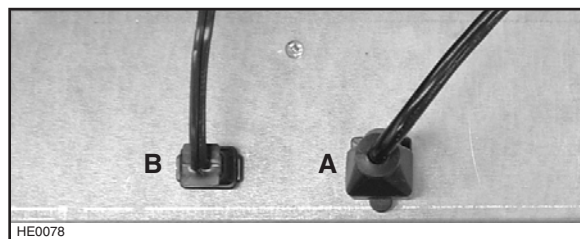
15. INSTALACIÓN DEL VENTILADOR (SERIE PKEX22 ÚNICAMENTE)

⚠ ADVERTENCIA

No enchufe un cable en el otro.

Para instalar el ventilador, véanse las instrucciones que vienen con él.

Enchufe el cable con el enchufe de tres patillas que viene de la placa del ventilador en el conector macho de tres patillas dentro del grupo de alimentación (A) y el cable con conector macho de dos patillas que viene de la placa del ventilador en el enchufe de dos patillas dentro del grupo de alimentación (B).



16. REINSTALACIÓN DE LOS FILTROS HÍBRIDOS

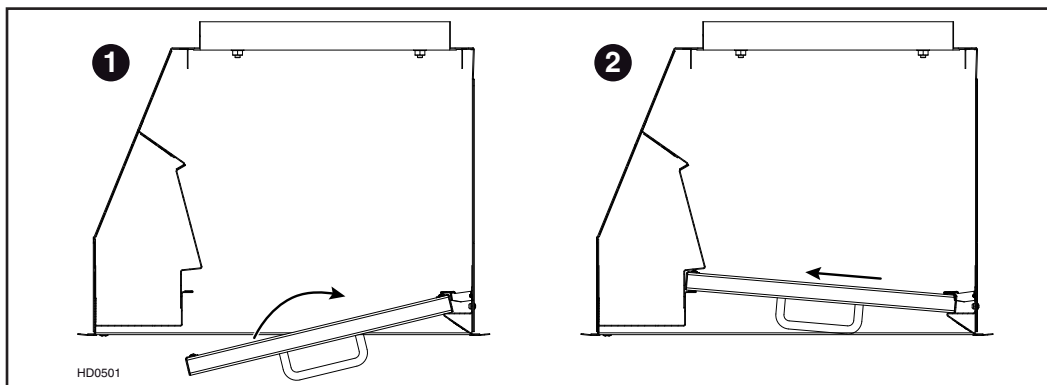
PRECAUCIÓN

Retire la película protectora de plástico que cubre los filtros híbridos antes de instalarlos.

1 Introduzca un extremo del filtro en el canal trasero del grupo de alimentación.

2 Levante el otro extremo hacia el interior e introdúzcalo en el canal delantero del grupo de alimentación.

Podrá conseguir filtros de recambio en su distribuidor. Vea el tamaño y el número de pieza en la etiqueta que hay dentro del grupo de alimentación.



17. CALIBRACIÓN DEL VENTILADOR IQ™ (SERIE PK22 ÚNICAMENTE)

Después de instalar y cablear el grupo de alimentación, active el proceso de calibración (nuestra Tecnología de sistema de desempeño garantizado, para asegurar que se suministre el flujo de aire nominal total). Antes de la calibración, asegúrese de que todos los filtros, bombillas de luz y el sistema de conductos estén instalados.

PROCESO DE CALIBRACIÓN

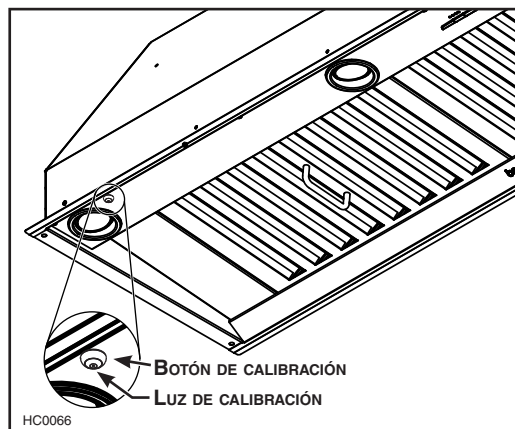
Sostenga el botón de calibración durante 3 segundos; el botón se encenderá y estará así por 13 minutos. El ventilador arrancará y comenzará el proceso de calibración. Cuando se termine la calibración, ocurrirá una de dos cosas:

- El ventilador se apaga y la luz del botón de calibración permanece encendida = Calibración exitosa. Presione el botón para apagar la luz LED. Nota: La luz LED también se apagará si selecciona alguna velocidad del ventilador en el control.
- El ventilador se apaga y el botón de calibración destella continuamente = Demasiada restricción en los conductos impide que el ventilador IQ™ obtenga el flujo de aire nominal. El ventilador se configura automáticamente en su intensidad máxima.

NOTA: Elementos comunes que provocan restricciones: el alerón del regulador está restringido (regulador de contratiro, tapa de pared, tapa de techo) demasiados codos, tamaño de conducto menor del 80% de salida del grupo de alimentación, mala transición, uso de conductos flexibles y/o conductos aplastados.

Hay disponibles tres opciones si el sistema de grupo de alimentación tiene demasiada restricción:

- Aceptar el flujo de aire como está. Presione el botón de calibración para aceptar el flujo de aire tal cual. El ventilador IQ™ está configurado ahora en el rendimiento más alto posible. La luz de calibración destellante se apaga. Nota: La luz LED también se apagará si selecciona alguna velocidad del ventilador en el control.
- Corrija la instalación del conducto, despeje los datos de calibración originales y repita el proceso de calibración.
 - Corrija la restricción del conducto.
 - Despeje los datos de calibración originales manteniendo presionado el botón de calibración durante 10 segundos. La luz destellará 3 veces para confirmar y la configuración del ventilador regresará a los ajustes predeterminados.
 - Repita el proceso de calibración desde el principio.
- Despeje los datos de calibración para reiniciar el grupo de alimentación a la configuración de fábrica y obtener un rendimiento estándar de alta presión del ventilador manteniendo presionado el botón de calibración durante 10 segundos. La luz destellará 3 veces para confirmar y la configuración del ventilador regresará a los ajustes predeterminados.



18. BOMBILLAS

Este grupo de alimentación necesita bombillas halógenas protegidas (120 V, 50 W, PAR16 con base GU10) (2 para los grupos de alimentación de 30" y 39" de ancho, 3 para el grupo de alimentación de 45" de ancho) (incluidas).

NOTA: Antes de utilizar las lámparas, quite la cinta adhesiva que pueda haber sobre ellas.

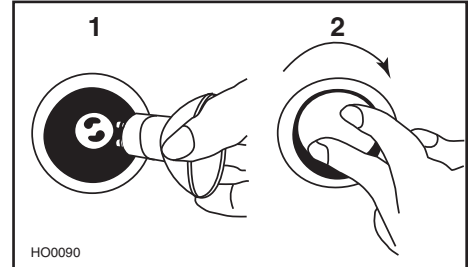
⚠ ADVERTENCIA

No tocar las bombillas durante o justo después de la utilización. Pueden causar quemaduras. Para prevenir el riesgo de lesiones corporales, instale solamente bombillas halógenas protegidas. Nunca instalar una bombilla dicróica o no concebida para luminarias empotradas o bombillas identificadas sólo para uso en dispositivos encerrados.

1. Instale las bombillas colocando los casquillos de las bombillas en sus ranuras, en los portalámparas.
2. Empuje suavemente hacia arriba y gire al mismo tiempo en el sentido horario hasta que queden bien afianzadas.

Para quitar las bombillas, empuje suavemente hacia arriba y gire en sentido antihorario para liberar el casquillo de sus ranuras.

NOTA: De ser necesario, utilice un guante de caucho de lavar los platos para sujetar mejor la bombilla y sacarla, o utilice la herramienta con ventosa de Best para quitar fácilmente las bombillas. Comuníquese con Servicio al cliente de Best en el teléfono 1-800-558-1711 para pedir esta herramienta (n.º de pieza: 99526707).



19. USO Y CUIDADO

Filtros híbridos

Los filtros híbridos deben limpiarse con frecuencia. Utilice una disolución de detergente con agua templada. Lávelos con mayor frecuencia si su tipo de cocina genera más grasa (alimentos fritos o cocina con wok).

Retire los filtros empujándolos hacia la parte posterior del grupo de alimentación y girándolos hacia abajo. Las placas de los filtros pueden lavarse en el lavavajillas. Deje que los filtros sequen completamente antes de volver a instalarlos en el grupo de alimentación.

Limpie los filtros totalmente metálicos en el lavavajillas con un detergente sin fosfato. El filtro podría descolorarse si se utiliza un detergente con fosfato o debido al tipo de agua, pero esto no afecta su funcionamiento. Este descoloramiento no está cubierto por la garantía.

Limpieza de los ventiladores internos

Retire los filtros para tener acceso a los ventiladores. Limpie los ventiladores con un aspirador. No lo sumerja en agua.

Limpieza del grupo de alimentación

Limpieza del acero inoxidable:

Debe hacerse:

- Limpiar regularmente las superficies con un trapo limpio humedecido con una mezcla de agua templada y jabón suave o detergente para la vajilla.
- Limpiar siempre en la dirección de las líneas originales de pulido del acero.
- Enjuagar siempre con agua limpia (2 o 3 veces) después de limpiar. Seque completamente.
- También puede utilizar un limpiador doméstico especial para acero inoxidable.

No debe hacerse:

- Utilizar un estropajo de acero o acero inoxidable u otro tipo de rasquetas para quitar la suciedad resistente.
- Utilizar limpiadores fuertes o abrasivos.
- Dejar que la suciedad se acumule.
- Dejar que el polvo del yeso u otros residuos de la construcción manchen la campana. Si efectúa obras de construcción o renovación, cubra la campana para que no se manche la superficie de acero inoxidable.

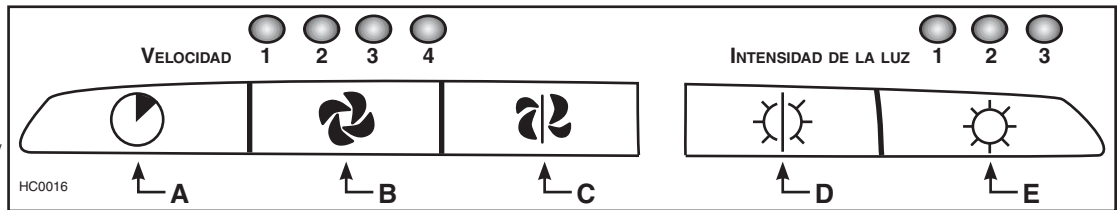
Al escoger un detergente, evite:

- Los limpiadores que contienen **blanqueador (lejía)**, ya que dañarán el acero inoxidable.
- Los productos que contengan **cloruro, fluoruro, yoduro y bromuro**, ya que deterioran las superficies rápidamente.
- Los productos combustibles que se emplean para la limpieza, como **acetona, alcohol, éter, bencol**, etc., ya que son altamente explosivos y nunca deberían estar cerca de una cocina.

20. FUNCIONAMIENTO

Ponga en marcha siempre el ventilador antes de empezar a cocinar para generar una corriente de aire en la cocina. Deje en marcha el ventilador durante unos minutos para renovar el aire una vez que haya apagado la cocina.

- A) Interruptor de retardo del ventilador
- D) Apagado de la luz
- B) Encendido/Control de velocidad del ventilador
- E) Interruptor de luz halógena
- C) Interruptor de apagado del ventilador/Mantenimiento de los filtros



A. INTERRUPTOR DE RETARDO DEL VENTILADOR:

Cuando el ventilador está en funcionamiento, pulse este interruptor para activar la función de retardo. El diodo indicador de velocidad correspondiente empezará a parpadear para indicar que esta función está activada. El ventilador seguirá funcionando durante 10 minutos y se detendrá automáticamente. Para cancelar la función de retardo, pulse de nuevo el interruptor de retardo del ventilador; el ventilador funcionará en modo normal.

NOTA: La velocidad del ventilador puede aumentarse o disminuirse cuando se está en modo retardo sin tener que empezar otro ciclo de 10 minutos.

B. ENCENDIDO/CONTROL DE VELOCIDAD DEL VENTILADOR:

Pulse este interruptor para poner en marcha el ventilador en la última velocidad que se seleccionó. Para cambiar la velocidad del ventilador pulse de nuevo en el interruptor hasta lograr la velocidad deseada. Mantenga presionado este botón durante 2 segundos para pasar a una velocidad inferior. Se puede pasar de 4 a 3, de 3 a 2, de 2 a 1 y de 1 a apagar el ventilador.

NOTAS: 1. Cada vez que presione en el control de velocidad del ventilador, la velocidad aumenta 1 nivel (p. ej., velocidad 1 a velocidad 2, velocidad 2 a velocidad 3 y así sucesivamente hasta la velocidad 4. De la velocidad 4 se pasa a la velocidad 1).

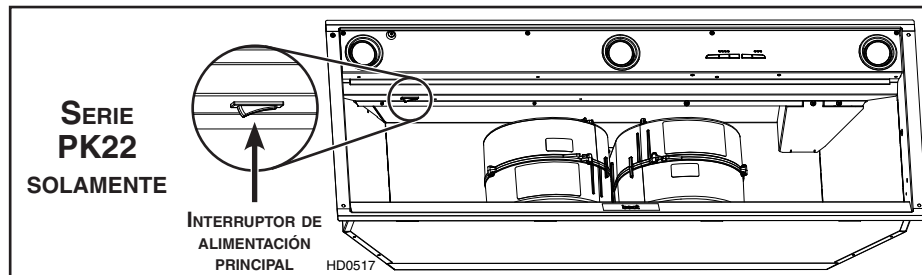
2. La última velocidad seleccionada se guarda en la memoria. No ocurre así con la carta velocidad, de manera que la próxima vez que se encienda el ventilador, funcionará en la velocidad 3. El nivel de velocidad memorizado también se sincroniza con el control remoto (opcional).

HEAT SENTRY™

La campana viene equipada con un dispositivo protector que se activa cuando detecta un calor excesivo dentro de la campana. Este dispositivo toma el control del ventilador, desactiva la velocidad 4 durante 10 minutos y selecciona la velocidad 3. Mientras el dispositivo Heat Sentry está activado, sólo puede usarse la velocidad 3; el botón de la velocidad 4 parpadeará mientras esté encendido el botón de la velocidad 3.

⚠ ADVERTENCIA

El termostato HEAT SENTRY puede poner en marcha el ventilador aunque la campana esté apagada. En este caso, resulta imposible apagar el ventilador con el interruptor del ventilador. Si tiene que apagar el ventilador de los modelos de la serie PK22: utilice el interruptor de alimentación principal situado detrás de los filtros, si puede hacerlo de manera segura (ver la ilustración a continuación). Para los modelos de la serie PKEX22: hágalo en el tablero eléctrico principal.



C. INTERRUPTOR DE APAGADO DEL VENTILADOR/MANTENIMIENTO DE LOS FILTROS:

Pulse este interruptor para apagar el ventilador y anular la función de retardo (si está activada).

NOTA: Tras 25 horas de funcionamiento, todas las luces del ventilador parpadearán durante 30 segundos para indicar que hay que limpiar los filtros con el fin de que la campana funcione correctamente. Al presionar el botón OFF (apagado) se reinicia el código para indicar que se han realizado las tareas de mantenimiento.

D. APAGADO DE LA LUZ:

Pulse este interruptor para apagar la luz.

E. INTERRUPTOR DE LUZ HALÓGENA:

Pulse este interruptor para encender las lámpara halógenas. La intensidad de la luz cambia de nivel en nivel (p. ej., pulse una vez para baja intensidad, pulse de nuevo para mayor intensidad y así hasta tres veces). Una vez en la mayor intensidad, al presionar se vuelve a la intensidad más baja.

NOTA: La última intensidad utilizada se guarda en la memoria de modo que la próxima vez que se encienda la luz tendrá dicha intensidad. La configuración de la luz memorizada también se sincroniza con el control remoto (opcional).

CONTROL REMOTO OPCIONAL:

El grupo de alimentación también puede manejarse con el control remoto de la serie ACR (comprar por separado).

21. GARANTIA

GARANTÍA LIMITADA DE UN AÑO

Broan-Nu Tone LLC ("Broan-Nu Tone") garantiza al comprador original de sus productos que éstos carecen de defectos en los materiales o de mano de obra por un período de un año a partir de la fecha de compra original. NO EXISTEN OTRAS GARANTÍAS, EXPRESAS O IMPLÍCITAS, INCLUYENDO, ENTRE OTRAS, LAS GARANTÍAS IMPLÍCITAS, DE COMERCIABILIDAD O IDONEIDAD PARA UN PROPOSITO PARTICULAR.

Durante el período de un año, y según su propio criterio, Broan-NuTone reparará o reemplazará sin costo todo producto o pieza que se considere defectuoso en condiciones normales de servicio y uso.

ESTA GARANTÍA NO SE APLICA A LOS CEBADORES, TUBOS Y BOMBILLAS DE LAS LÁMPARAS FLUORESCENTES, A LOS FUSIBLES, FILTROS, TUBOS, CAPUCHONES PARA TEJADOS, CAPUCHONES MURALES Y OTROS ACCESORIOS DE CANALIZACIÓN. Esta garantía no cubre: a) el mantenimiento y servicios normales ni b) ningún producto o pieza mal utilizados o que hayan sido objeto de negligencia, accidente, mantenimiento o reparación inadecuados (por compañías distintas a Broan-Nu Tone), instalación defectuosa, o instalación no conforme a las instrucciones de instalación recomendadas. La duración de cualquier garantía implícita se limita a un periodo de un año, como se indica en la garantía expresa. Algunos estados o provincias no permiten limitaciones en cuanto al tiempo de expiración de una garantía implícita, por lo que la limitación antes mencionada puede que no se aplique en su caso.

LA OBLIGACIÓN DE BROAN-NU TONE DE REPARAR O REEMPLAZAR, CON ARREGLO A SU PROPIO CRITERIO, SERÁ EL ÚNICO RECURSO LEGAL DEL COMPRADOR CONFORME A ESTA GARANTÍA. BROAN-NU TONE NO SE HACE RESPONSABLE DE LOS DAÑOS ADICIONALES, CONSECUENTES O ESPECIALES QUE SURJAN O ESTÉN RELACIONADOS CON EL USO O EL RENDIMIENTO DEL PRODUCTO. Algunos estados o provincias no permiten la exclusión o limitación de daños adicionales o consecuentes, por lo que la limitación o exclusión antes mencionada puede que no se aplique en su caso.

Esta garantía le proporciona derechos legales específicos, aunque usted también puede tener otros derechos, que varían de un estado a otro, o de una provincia a otra. Cualquier modificación hecha en este producto sin la autorización de Broan-NuTone anulará esta garantía. Esta garantía reemplaza todas las garantías anteriores.

Para tener derecho al servicio de garantía, debe usted: (a) Informar a Broan-Nu Tone, en la dirección o teléfono que aparecen abajo; (b) Dar el número de modelo y el número de identificación de la pieza y (c) Describir el tipo de defecto en el producto o pieza. En el momento de solicitar un servicio cubierto por la garantía, deberá presentar una prueba de la fecha de compra original.

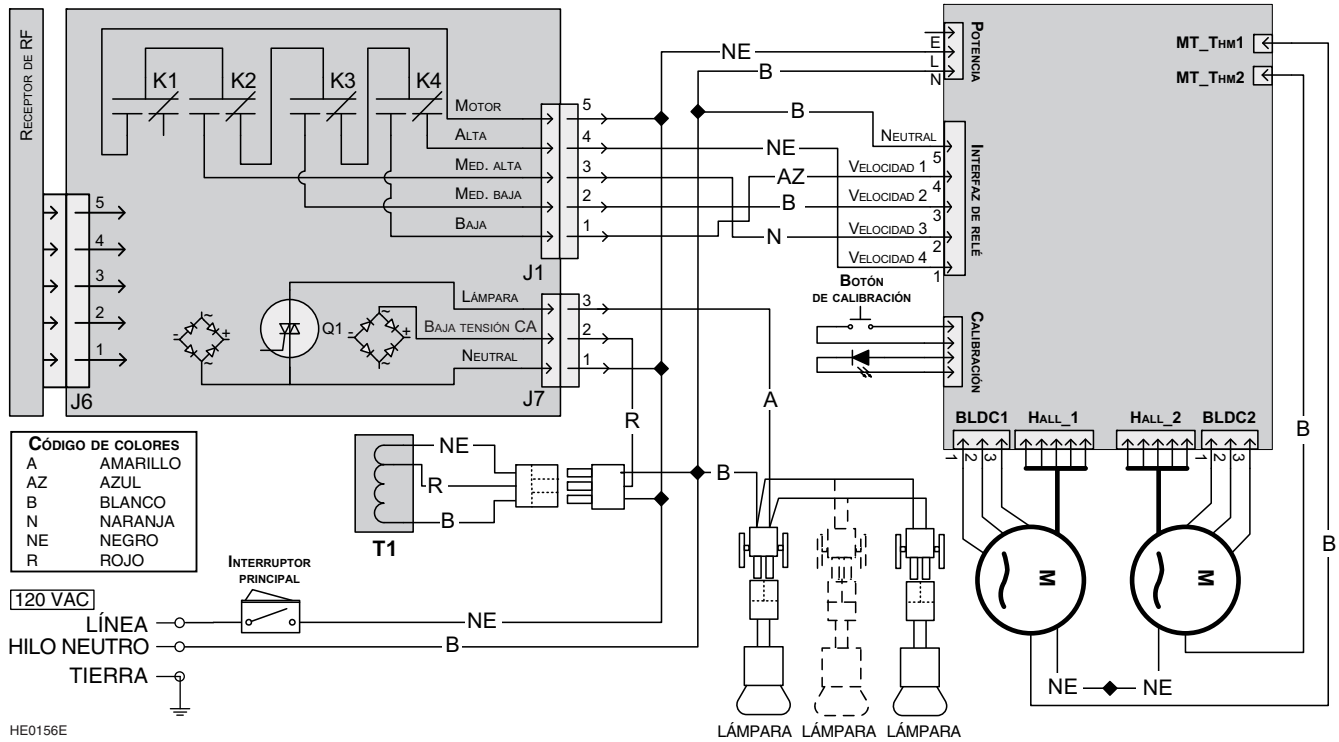
Estados Unidos - Best®, 926 W. State Street, Hartford, WI 53027 (1-800-558-1711)

Canadá - Best®, 550, boul. Lemire, Drummondville, QC, Canada (1-866-737-7770)

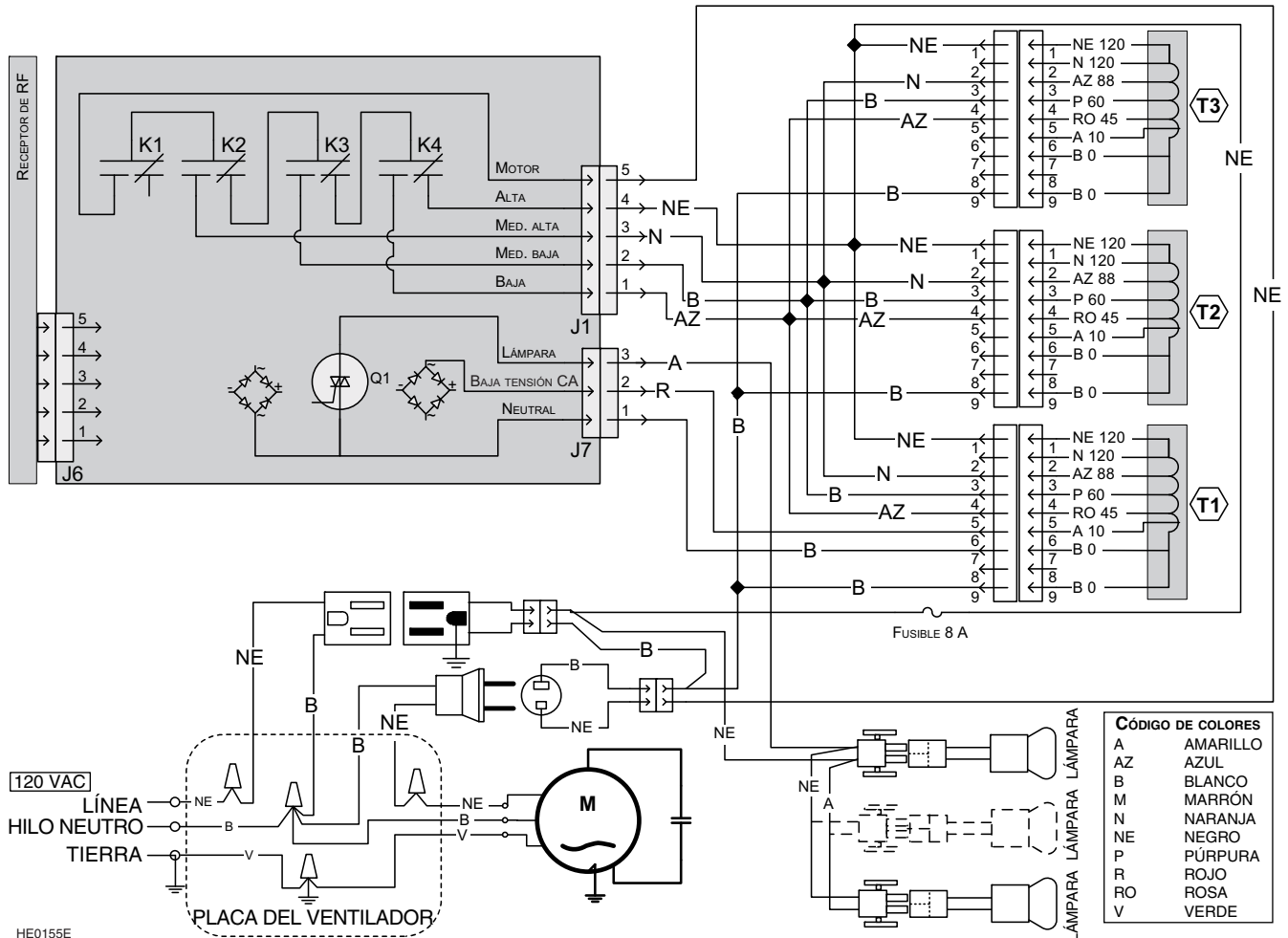
www.bestrangehoods.com

22. DIAGRAMAS ELÉCTRICOS

Series PK22 de Best

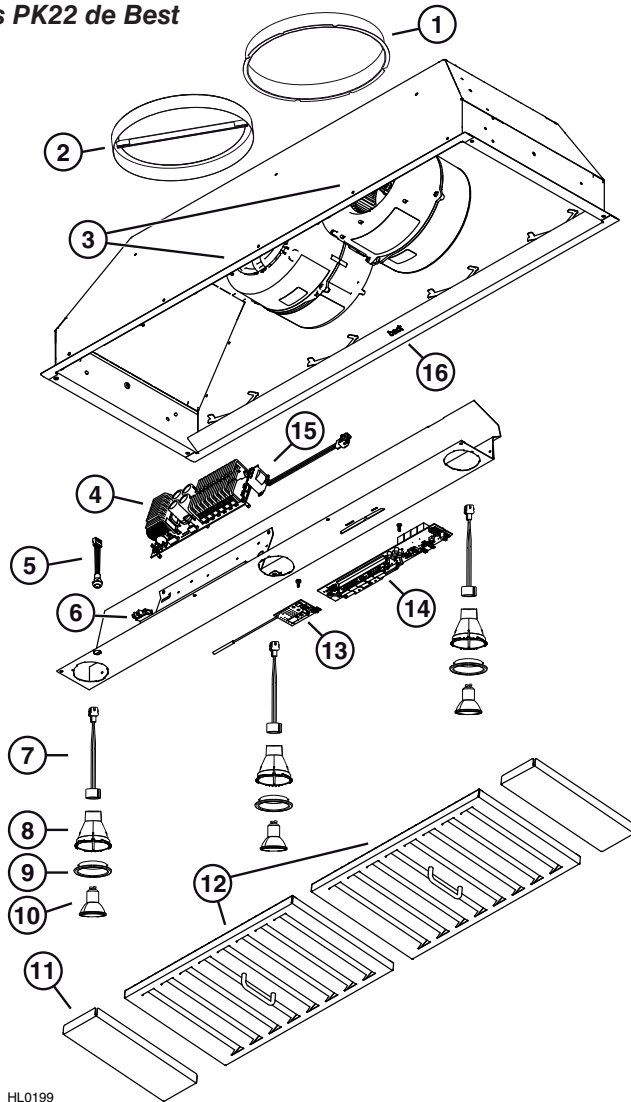


Series PKEX22 de Best



23. PIEZAS

Series PK22 de Best



HL0199

SUSTITUCIÓN DE PIEZAS Y REPARACIÓN

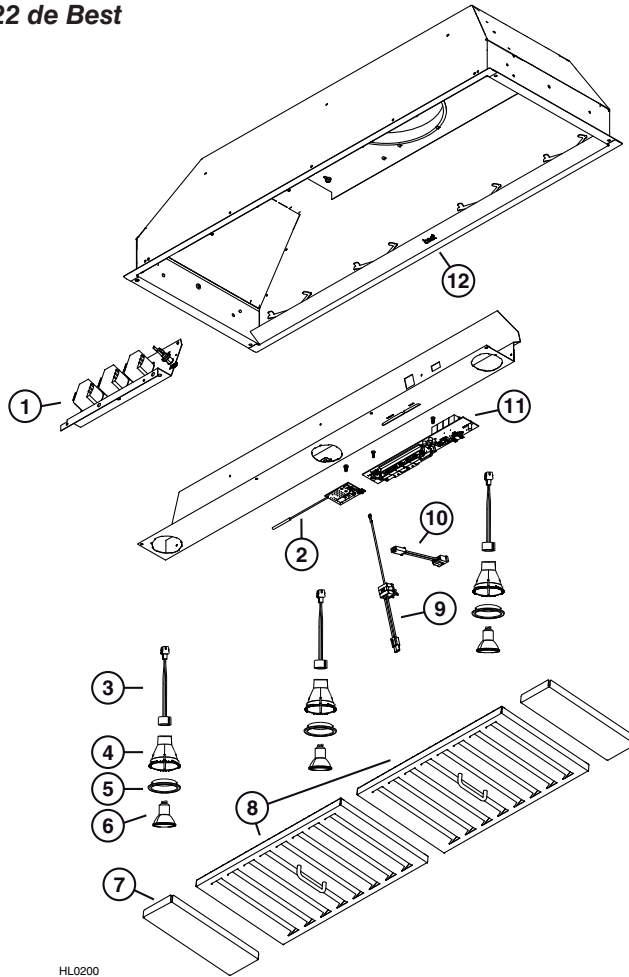
Para que la unidad se conserve en buen estado, debe usar repuestos genuinos de Broan-NuTone únicamente. Estas piezas se han diseñado especialmente para cada unidad y se han fabricado conforme a las normas de certificación aplicables y un elevado nivel de seguridad. El uso de repuestos de otros fabricantes podría causar daños graves y reducir radicalmente el desempeño de la unidad, causando así fallas prematuras. Broan-NuTone también aconseja ponerse en contacto con un taller de reparación homologado por Broan-NuTone para todos los repuestos y reparaciones.

N.º	N.º DE PIEZA	DESCRIPCIÓN	CANTIDAD (ANCHURA DE GRUPO DE ALIMENTACIÓN)		
			30"	39"	45"
1	SV08541	ADAPTADOR REDONDO DE 10"	1	1	1
2	SV08542	DISPOSITIVO DE CIERRE REDONDO DE 10"	1	1	1
3	S97018985	VENTILADOR BLDC, 600 PCM	2	2	2
4	SV20818	ACCIONADOR ELECTRÓNICO PARA VENTILADOR DOBLE BLDC	1	1	1
5	SV20817	BOTÓN DE CALIBRACIÓN	1	1	1
6	SV08548	INTERRUPTOR OSCILANTE, NEGRO	1	1	1
7	SV05917	CASQUILLO GU10	2	2	3
8	SV09435	SOPORTE DEL CASQUILLO GU10	2	2	3
9	SV09434	ANILLO ORNAMENTAL ACERO INOXIDABLE	2	2	3
10	SV05921	BOMBILLA ALÓGENA, 120 V, 50 W, PAR16 CON BASE GU10	2	2	3
11	SV61044	RELLENO DE FILTRO	0	0	2
12	SV61045	FILTRO CON MALLA + MANIJA 12" x 10"	2	0	0
	SV61046	FILTRO CON MALLA + MANIJA 17" x 10"	0	2	2
13	SV20816	PLACA DE CIRCUITOS IMPRESOS PARA EL CONTROL REMOTO	1	1	1
14	SV20814	PLACA DE CIRCUITOS IMPRESOS PARA CONTROL DEL VENTILADOR INTERNO	1	1	1
15	SV09022	TRANSFORMADOR, 120 V. C.A., 9 V. C.C.	1	1	1
16	SV05869	LOGOTIPO DE BEST	1	1	1
*	SV20827	INSTRUCCIONES DE INSTALACIÓN	1	1	1
*	SV20830	BOLSA DE PIEZAS: 1 ABRAZADERA DE HILOS, 2 CONECTORES DE HILOS, 2 TORNILLOS N.º 8 x 3/8", 6 TORNILLOS CROMADOS N.º 8-18 x 1¼"	1	1	1

* NO SE MUESTRAN.

23. PIEZAS (CONTINUACIÓN)

Serie PKEX22 de Best



HL0200

SUSTITUCIÓN DE PIEZAS Y REPARACIÓN

Para que la unidad se conserve en buen estado, debe usar repuestos genuinos de Broan-NuTone únicamente. Estas piezas se han diseñado especialmente para cada unidad y se han fabricado conforme a las normas de certificación aplicables y un elevado nivel de seguridad. El uso de repuestos de otros fabricantes podría causar daños graves y reducir radicalmente el desempeño de la unidad, causando así fallas prematuras. Broan-NuTone también aconseja ponerse en contacto con un taller de reparación homologado por Broan-NuTone para todos los repuestos y reparaciones.

N.º	N.º DE PIEZA	DESCRIPCIÓN	CANTIDAD (ANCHURA DEL GRUPO DE ALIMENTACIÓN)	
			39"	45"
1	SV61049	AUTOTRANSFORMADOR Y FUSIBLE (SOPORTE METÁLICO INCLUIDO)	1	1
2	SV20816	PLACA DE CIRCUITOS IMPRESOS PARA EL CONTROL REMOTO	1	1
3	SV05917	CASQUILLO GU10	2	3
4	SV09435	SOPORTE DEL CASQUILLO GU10	2	3
5	SV09434	ANILLO ORNAMENTAL ACERO INOXIDABLE	2	3
6	SV05921	HALOGEN LAMP 120 V, 50 W, PAR16 WITH GU10 BASE	2	3
7	SV61044	RELLENO DE FILTRO	0	2
8	SV61046	FILTRO CON MALLA + MANIJA 17" x 10"	2	2
9	SV13924	CONECTOR DE ALIMENTACIÓN MACHO	1	1
10	SV13923	CONECTOR DE ALIMENTACIÓN HEMBRA	1	1
11	SV20815	PLACA DE CIRCUITOS IMPRESOS PARA CONTROL DEL VENTILADOR EXTERNO	1	1
12	SV05869	LOGOTIPO DE BEST	1	1
*	SV20827	INSTRUCCIONES DE INSTALACIÓN	1	1
*	SV20830	BOLSA DE PIEZAS: 1 ABRAZADERA DE HILOS, 2 CONECTORES DE HILOS, 2 TORNILLOS N.º 8 x 3/8", 6 TORNILLOS CROMADOS N.º 8-18 x 1¼"	1	1

*NO SE MUESTRAN.

