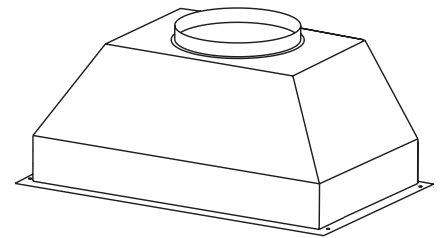


PK22 SERIES POWER PACK



Specially designed to be installed in custom canopy hoods for use over residential commercial-style cooking surfaces.

FEATURES

- Cabinet mount – custom application
- Finish: 430 Stainless Steel
- Widths: 27-3/4", 36-1/2", 43-7/16"
- 10" round duct connector/backdraft damper
- Halogen lighting (2 bulbs included on PK2230 and PK2239 or 3 bulbs on PK2245; Type GU10, MR16 shielded, 120 volt, 50 watts max.)
- Electronic, push-button controls
 - 4 speeds
 - 3 light settings
 - 10-minute delay off
 - 25-hour filter clean indicator
- Easily accessible, dishwasher-safe aluminum / stainless steel hybrid baffle filters
 - Less restrictive than traditional baffle filters
 - Less mess / dripping than mesh filters
- Heat Sentry™ - automatically turns blower to high speed when excess cooking heat is detected
- For indoor use only



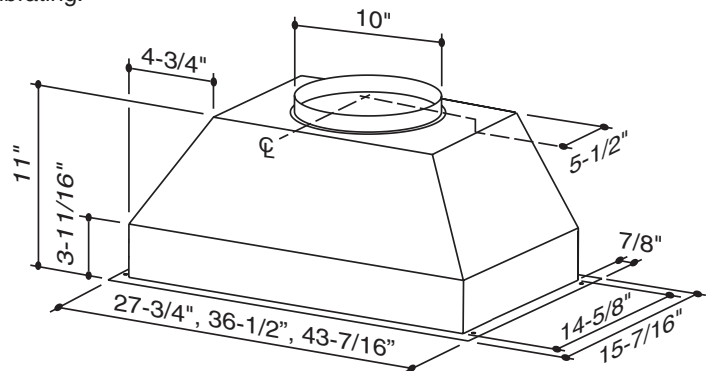
iQ12 - 1200 CFM Blower System providing:

- Best in class quiet operation.
- Up to 30% faster smoke and odor removal than comparable models.
- Up to 22x more energy efficient than comparable models.
- Guaranteed Performance System (GPS) technology calibrates the hood system to every installation to provide up to 30% more CFM than standard range hoods.
- Using a duct reducer with this hood may prevent the product from calibrating.



OPTIONS (Not included with hood. Purchase separately.)

- Stainless liner (AL3036, AL3042, AL3948, AL3954, AL4554, AL4560)
- Ambient light panel (ALP36, ALP42, ALP48, ALP54, ALP60)
- Remote control (Model ACR3)
- Universal make-up air dampers (Models MD6TU, MD8TU, MD10TU)
- 10" to 8" Reducer (Model 472) - using this reducer may prevent the product from calibrating.



SPECIFICATIONS

MODEL	VOLTS	CFM (High / Working Speed)	SONES (High / Working Speed)	AMPS
PK2230	120	1100 / 250	11.5 / 0.6	8.0
PK2239	120	1100 / 250	11.5 / 0.6	8.0
PK2245	120	1150 / 250	11.0 / 0.6	8.5

Mount range hood so bottom of hood is 24" to 30" above cooking surface.

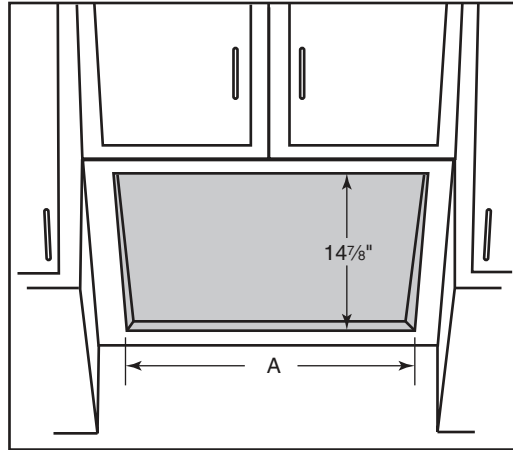
This product was tested by Broan-NuTone for airflow performance using the ANSI/AMCA 210 Standard, which is equivalent to the Home Ventilating Institute HVI 916 - Procedure for Air Flow Testing, and tested for sound performance using the ANSI S12.51 Standard, which is equivalent to the Home Ventilating Institute HVI 915 - Procedure for Loudness Rating of Residential Fan Products.

BEST Hartford, Wisconsin www.BestRangeHoods.com 800-558-1711
 BEST Drummondville, QC, Canada www.BestRangeHoods.com 866-737-7770

REFERENCE	QTY.	REMARKS	Project
			Location
			Architect
			Engineer
			Contractor
			Submitted by Date

PK22 SERIES CABINET CUTOUT DIMENSIONS

POWER PACK WIDTH	A
30"	26 $\frac{3}{16}$ "
39"	34 $\frac{15}{16}$ "
45"	41 $\frac{7}{8}$ "



PK22 SERIES SUPPORT AND MOUNTING SCREWS

Two of the six no. 8-18 x 1 $\frac{1}{4}$ " provided chrome plated screw can be used to support the hood during installation.

Place the power pack inside the custom hood and insert both side screws.

The power pack can now be secured to the custom hood without having to hold it in place.

