



Manually extend the glass visor to activate the fan and lighting.
Quick release, dishwasher-safe, stainless steel with mesh grease filters ensure a clean, fresh kitchen.

Heat Sentry™ detects excessive heat and adjusts speed to high automatically.
10-minute time-delay shut-off feature and reminder light for filter maintenance.
Charcoal filter kits are available when recirculating air into the

kitchen is desired (duct work required).
CFM Reducer Kit for internal blower reduces max CFM to 250–300.
Works with optional Universal Make-Up Air Dampers.

Model Numbers:

U10230SBI U10236SBI



The U102 features electronic 4-speed pushbutton controls with an easy-to-read blue digital display.

Hood Sizes

Widths	30", 36"
Depth	12-3/4"–18-1/2"
Finish	
Stocked	Brushed Stainless Steel (Grade 304)
Special Order	Not Available

Features

Lighting Type	Halogen, G4-20W
Number of Lamps	2
Lighting Levels	2
Lighting Lamps Included	Yes
Control Type	4-speed Pushbutton
Control Features	Heat Sentry™, Delay Off, Filter Timer
Remote Control	Not Available
Filter Type	Stainless Steel with Mesh Grease Filter
Non-ducted Capability	Yes

Hood Blower Included (U102I)

Internal	
Max Blower CFM*	575
Sones Normal Setting**	2.0

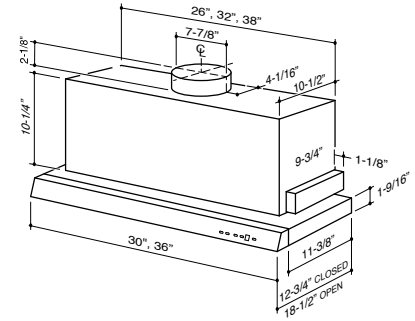
*MAX Blower CFM indicates the performance of the hood blower in open air.
**Normal setting corresponds to speed 1.

Accessories

Non-ducted Recirculating Kit	ANKU10
CFM Reducer Kit	ARP8
Universal MUA Damper	MD6TU, MD8TU, MD10TU (Requires Fresh Air Inlet)
Fresh Air Inlet	641FA, 643FA, 610FA

Installation Requirements

Amps @ 120V	3
Electrical Connection	Direct Wire
Duct Size: Internal Blower	8"
Duct Direction	Vertical
Backdraft Damper	Included



Installation height above the cooking surface: 22-1/2"–30"

Not recommended for use with gas or electric grills

For more details or HVI rated performance for this model see the product specifications sheet found at www.BESTRangeHoods.com



Performance is a beautiful thing.

It can be subtle or bold. It can take months or years to hone.
Then impress you in an instant.

A great performance gives the audience exactly what they want and more than they ever imagined. And it inspires everyone and everything around it to be better.

At **BEST**, we make high performance range hoods that perform beautifully. Astonishingly quiet. Impressively effective. Remarkably efficient. And perfectly suited for the most distinguished kitchens.

Whether it's the centerpiece of the room or letting its surroundings shine, **BEST** is where high-end performance inspires.

best[®]

PERFORMANCE THAT INSPIRES