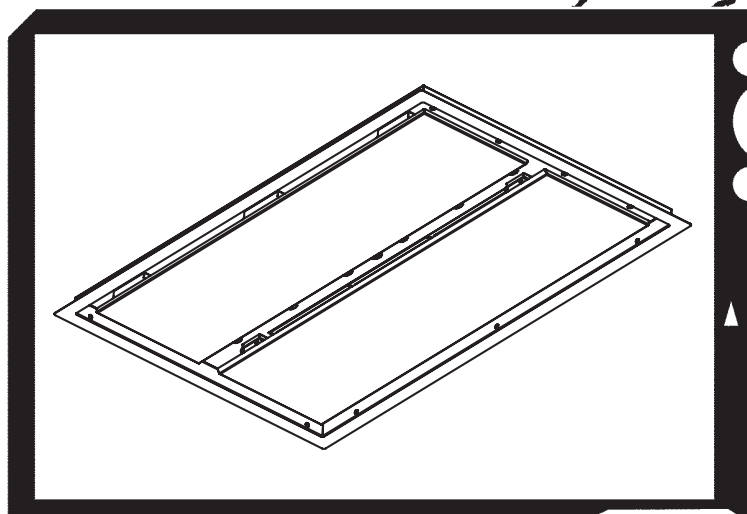


best®



Model CC34E6SB

ENGLISH.....	1
FRANÇAIS.....	17
ESPAÑOL.....	33

In USA - BEST Hartford, Wisconsin

In CANADA - BEST Drummondville, QC, Canada

REGISTER YOUR PRODUCT ONLINE AT : www.BestRangeHoods.com/register
For additional Information visit www.BestRangeHoods.com

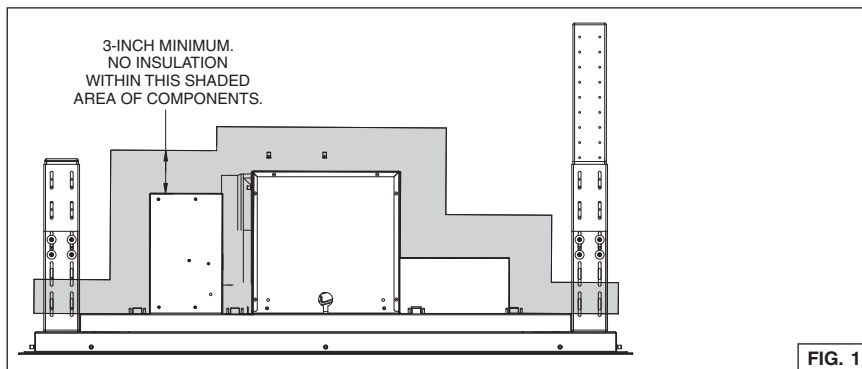
READ AND SAVE THESE INSTRUCTIONS

⚠ INTENDED FOR DOMESTIC COOKING ONLY ⚠

⚡ ⚠ WARNING

TO REDUCE THE RISK OF FIRE, ELECTRIC SHOCK, OR INJURY TO PERSONS, OBSERVE THE FOLLOWING:

1. Use this unit only in the manner intended by the manufacturer. If you have questions, contact the manufacturer at the address or telephone number listed in the warranty.
2. Before servicing or cleaning unit, switch power off at service panel and lock service panel to prevent power from being switched on accidentally. When the service disconnecting means cannot be locked, securely fasten a prominent warning device, such as a tag, to the service panel.
3. Installation work and electrical wiring must be done by a qualified person(s) in accordance with all applicable codes and standards, including fire-rated construction codes and standards.
4. Sufficient air is needed for proper combustion and exhausting of gases through the flue (chimney) of fuel burning equipment to prevent backdrafting. Follow the heating equipment manufacturer's guidelines and safety standards such as those published by the National Fire Protection Association (NFPA), and the American Society for Heating, Refrigeration and Air Conditioning Engineers (ASHRAE), and the local code authorities.
5. When cutting or drilling into wall or ceiling, do not damage electrical wiring and other hidden utilities.
6. Ducted fans must always be vented to the outdoors.
7. Do not use this unit with any separate solid-state speed control device.
8. To reduce the risk of fire, use only metal ductwork.
9. This unit must be grounded.
10. Type Non-IC Installation: Thermal insulation shall not cover top of range hood housing and must be spaced 3-inches (76mm) from all sides. (Fig. 1)



TO REDUCE THE RISK OF A RANGE TOP GREASE FIRE:

- A. Never leave surface units unattended at high settings. Boilovers cause smoking and greasy splitters that may ignite. Heat oils slowly on low or medium settings.
- B. Always turn hood ON when cooking at high heat or when flambing food (i.e. Crepes Suzette, Cherries Jubilee, Peppercorn Beef Flambe').
- C. Clean ventilating fans frequently. Grease should not be allowed to accumulate on fan or filter.
- D. Use proper pan size. Always use cookware appropriate for the size of the surface element.

TO REDUCE THE RISK OF INJURY TO PERSONS IN THE EVENT OF A RANGE TOP GREASE FIRE, OBSERVE THE FOLLOWING:*

1. SMOTHER FLAMES with a close-fitting lid, cookie sheet, or metal tray, then turn off the burner. BE CAREFUL TO PREVENT BURNS. If the flames do not go out immediately, EVACUATE AND CALL THE FIRE DEPARTMENT.
2. NEVER PICK UP A FLAMING PAN - You may be burned.
3. DO NOT USE WATER, including wet dishcloths or towels - violent steam explosion will result.
4. Use an extinguisher ONLY if:
 - A. You know you have a Class ABC extinguisher and you already know how to operate it.
 - B. The fire is small and contained in the area where it started.
 - C. The fire department is being called.
 - D. You can fight the fire with your back to an exit.

* Based on "Kitchen Fire Safety Tips" published by NFPA.

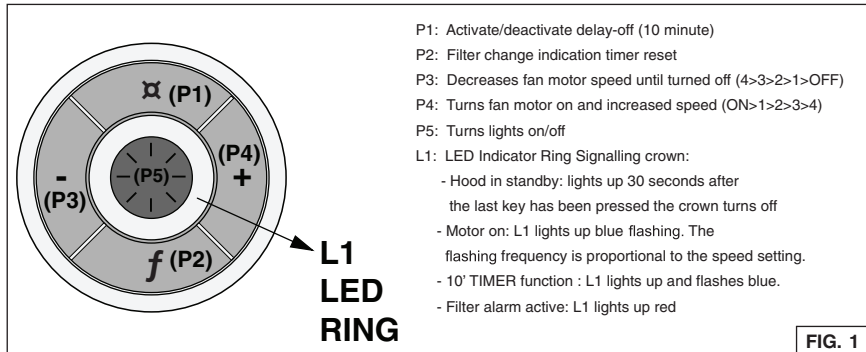
 CAUTION

1. For indoor use only.
2. To reduce risk of fire and to properly exhaust air, be sure to duct air outside. Do not vent exhaust air into spaces within walls or ceilings or into attics, crawl spaces, or garages.
3. Take care when using cleaning agents or detergents.
4. Avoid using food products that produce flames under the Range Hood.
5. For general ventilating use only. Do not use to exhaust hazardous or explosive materials and vapors.
6. To avoid motor bearing damage and noisy and/or unbalanced impellers, keep drywall spray, construction dust, etc. off power unit.
7. Your hood motor has a thermal overload which will automatically shut off the motor if it becomes overheated. The motor will restart when it cools down. If the motor continues to shut off and restart, have the hood serviced.
8. For best capture of cooking impurities, the bottom of the hood should be a minimum of 48" and a maximum of 72" above the cooking surface.
9. Two installers are recommended because of the large size and weight of this hood.
10. The light source is designed for this specific application and can overheat if serviced by untrained personnel. If any servicing is required, the product should be returned to an authorized service facility for examination or repair.
11. Please read specification label on product for further information and requirements.
12. To reduce the risk of fire and electric shock, install this range hood only with Best Exterior Blower Models EB6, EB9, EB12, EB15, or Best In-Line Blower Models ILB3, ILB6, ILB9 or ILB11. Other blowers cannot be substituted. (Blowers sold separately.)
13. This power pack is equipped with a RF receiver (optional remote control sold separately). Changes or modifications not expressly approved by the party responsible for compliance could void the user's authority to operate this product. The remote control has been tested and found to comply with the limits for a Class B digital device, pursuant to part 15 of the FCC Rules and the Canadian ICES-003. These limits are designed to provide reasonable protection against harmful interference in a residential installation. The remote control generates, uses and can radiate radio frequency energy and, if not installed and used in accordance with the instructions, may cause harmful interference to radio communications. However, there is no guarantee that interference will not occur in a particular installation. If this equipment does cause harmful interference to radio or television reception, which can be determined by turning the equipment off and on, the user is encouraged to try to correct the interference by one or more of the following measures:
 - Reorient or relocate the receiving antenna.
 - Increase the separation between the equipment and receiver.
 - Connect the equipment into an outlet on a circuit different from that to which the receiver is connected.

OPERATION

Controls (Fig. 1)

The hood is operated using the (5) push-buttons located on the hood and the remote control. LED colors are displayed on hood control only.



(P1) Delay- Off Switch

- Your hood includes a 10 minute blower delay off switch. Press this switch once to activate the timer and the LED Ring (L1) flashes blue. The blower will continue to operate for 10 minutes. After 10 minutes, the blower turns off automatically.
- To cancel the 10-minute delay, press the delay switch once again.

(P2) Filter Alarm Switch

- After 30 hours of blower operation, the filter alarm is activated and the LED ring (L1) turns red/flashes. It indicates that the grease filters need to be cleaned.
- After cleaning the grease filters, reset the hour counter by pressing the Filter Alarm/Timer Reset button (P2) during display of the alarm.

(P3) Blower Speed Decrease and Off Switch

- Press to decrease blower speed, high to low. The LED ring (L1) flashes blue at a speed proportionate to the blower setting (i.e.: four flashes is high speed, one flash is low speed, etc.)
- Continue pressing this switch to turn the blower off.

(P4) Blower Speed Increase and On Switch

- Press this switch to turn the blower on to low speed.
- Press again to increase blower speed, low to high. The LED ring (L1) flashes blue at a speed proportionate to the blower setting (i.e.: four flashes is high speed, one flash is low speed, etc.)

(P5) Light Switch

Turns the lights on and off.

Master On-Off Switch


Located behind one of the corner filters, this switch must be ON (indicated as "I") before the hood will operate. Turn the switch OFF (indicated as "O") to disconnect power to the hood.

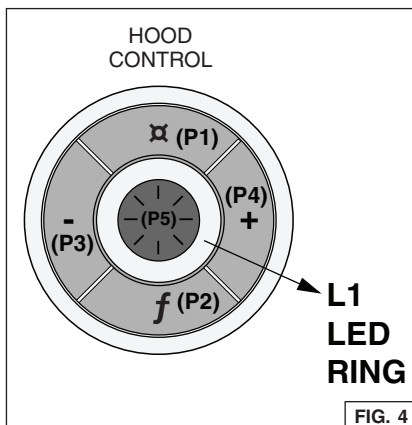
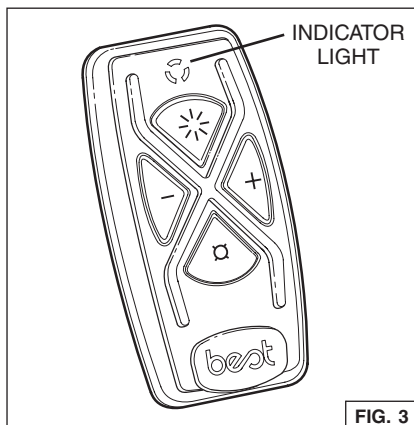
REMOTE CONTROL

The remote control is linked to the hood at the factory.





If, for some reason, the link is lost - follow the directions below:



To Link Remote Control to Hood


1. Turn off hood motor and hood lights.
2. Press  on the remote control for at least 3 seconds and release the button. The indicator light will light up. (Fig. 3)
3. Within 3 seconds - press *f* (P2) on the hood control. (Fig. 4) The LED ring will light up for approximately 10 seconds to confirm that the linking process was successful.

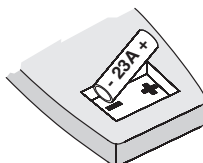


Remote Control Functions (Fig.3)

-  Delay - Off
-  Blower Speed Decrease and Off
-  Blower Speed Increase and On
-  Light

Press  (Delay) and  (Light) together to Reset Filter Alarm.

IMPORTANT: Holding  (Delay) for more than 3 seconds will cause the link between the remote and hood to be lost.



Battery disposal

When the batteries need to be replaced, dispose of them only and exclusively in the numerous readily available special waste bins, especially in shops selling electronic consumer goods. Observance of the regulations on differentiated waste collection, in particular, proper disposal of used batteries, contributes to preventing possible negative effects on the environment and health.

CLEANING AND MAINTENANCE

Proper maintenance of the Range Hood will assure proper performance of the unit.

Motor

The motor is permanently lubricated and never needs oiling. If the motor bearings make excessive or unusual noise, replace the motor with the exact service motor. The impeller should also be replaced.

Grease Filters

The grease filters should be cleaned frequently. Use a warm detergent solution. Grease filters are dishwasher safe.

Clean all-metal filters in the dishwasher using a non-phosphate detergent. Discoloration of the filter may occur if using phosphate detergents, or as a result of local water conditions - but this will not affect filter performance. This discoloration is not covered by the warranty.

See "INSTALL FILTERS" section for removal and installation instructions.

Stainless Steel Cleaning

DO:

- Regularly wash with clean cloth or rag soaked with warm water and mild soap or liquid dish detergent.
- Always clean in the direction of original polish lines.
- Always rinse well with clear water (2 or 3 times) after cleaning. Wipe dry completely.
- You may also use a specialized household stainless steel cleaner.

DON'T:

- Use any steel or stainless steel wool or any other scrapers to remove stubborn dirt.
- Use any harsh or abrasive cleansers.
- Allow dirt to accumulate.
- Let plaster dust or any other construction residues reach the hood. During construction/renovation, cover the range hood to make sure no dust sticks to the stainless steel surface.

Avoid: When choosing a detergent

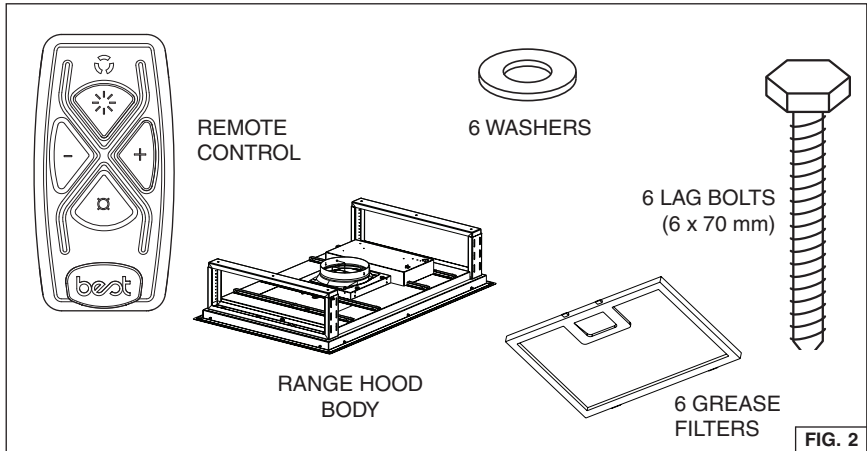
- Any cleaners that contain bleach will attack stainless steel
- Any products containing: chloride, fluoride, iodide, bromide will deteriorate surfaces rapidly.
- Any combustible products used for cleaning such as acetone, alcohol, ether, benzol, etc., are highly explosive and should never be used close to a range.

PREPARE THE HOOD

Unpack hood and check contents.

You should receive:

- 1 - Range Hood Body
- 1 - Remote Control
- 6 - Grease Filters
- 6 - Lag Bolts, 6 x 70 mm
- 6 - Washers




EXTERIOR OR IN-LINE BLOWER SELECTION

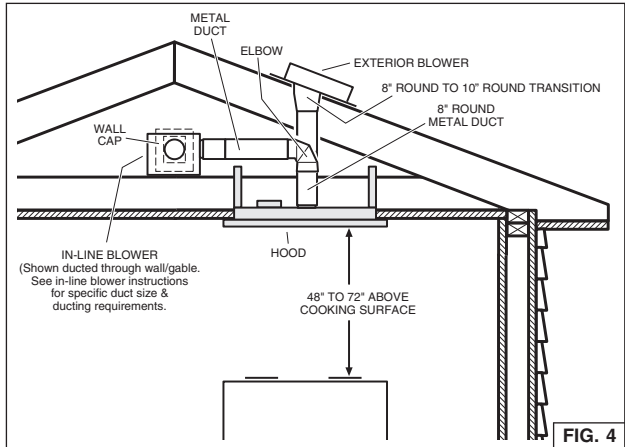
⚠ CAUTION: Either an exterior blower or an in-line blower may be used with this range hood. The Model CC34ESB range hood must be installed only with Best Exterior Blower Models EB6, EB12, or Best In-Line Blower Models ILB3, ILB6, or ILB9. Other blowers cannot be substituted. (Blowers sold separately.)

The blower must be cULus Listed for Canadian and U.S. use, and evaluated for use with a solid-state speed control, rated 120V, 60Hz, 3.0A max.

INSTALL THE DUCTWORK

 **WARNING:** To reduce the risk of fire, use only metal ductwork.

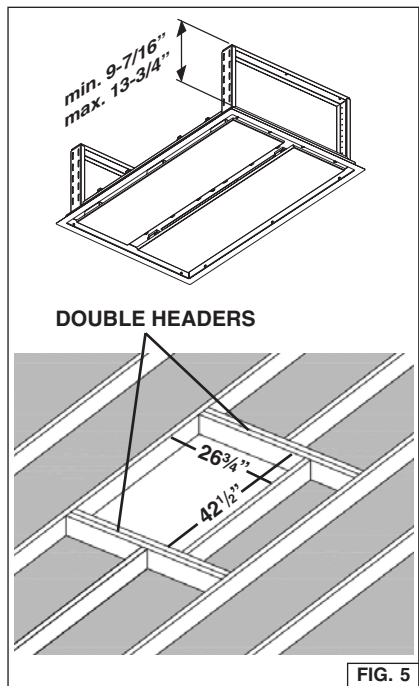
1. Choose the location of the hood, exterior or in-line blower and any roof or wall caps, and decide where the ductwork will run. See Fig. 4 and exterior or in-line blower instructions for suggestions.
2. A straight, short duct run will allow the hood to perform most efficiently. Long duct runs, elbows, and transitions will reduce the performance of the hood. Use as few of them as possible. Larger ducting may be required for best performance with longer duct runs.
3. Install an exterior or in-line blower.
4. Connect metal ductwork to exterior or in-line blower and work back towards hood location. Elbows and transitions may be necessary. See exterior or in-line blower instructions for further information. Use duct tape to seal the joints between ductwork sections.



PREPARE THE CEILING OPENING

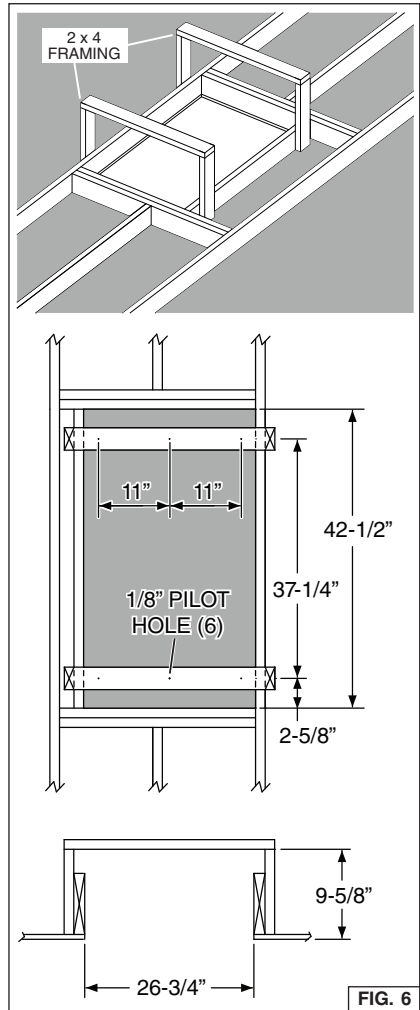
The hood should always be centered over the cooktop. Make sure there is adequate space in the ceiling structure to install the hood and ductwork. The hood should be mounted 48" to 72" above the cook top for best removal of cooking impurities. Fig 4.

Use joist size lumber to frame in around the range hood opening. The ceiling structure must be able to support the weight of the hood (58 pounds). Fig 5.



PREPARE THE HOOD SUPPORT

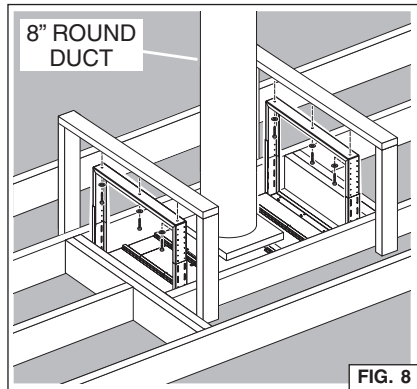
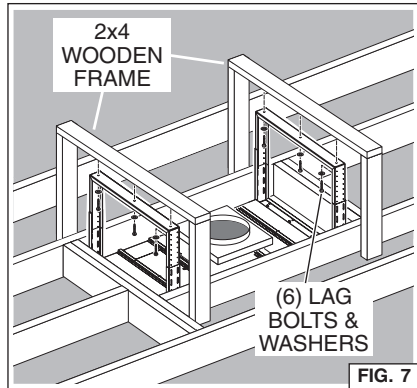
1. Construct a wood framing system as shown in Fig. 6.
2. The structure must be capable of supporting its own weight, plus the weight of the hood (58 pounds).



INSTALL THE HOOD

⚠ CAUTION: At least two installers are recommended because of the large size and weight of this range hood.

1. Lift range hood into the ceiling opening.
2. Secure each support frame to the wooden hood support frame using (6) 6 x 70 mm lag bolts and washers provided. Fig. 7.
3. Adjust height of the telescoping support frame to ensure a tight fit between the hood and finished ceiling.
4. At the blower discharge collar, connect ductwork that exhausts air to the outside discharge. Fig. 8.
5. Duct tape all joints to ensure an air tight seal.



CONNECT THE WIRING



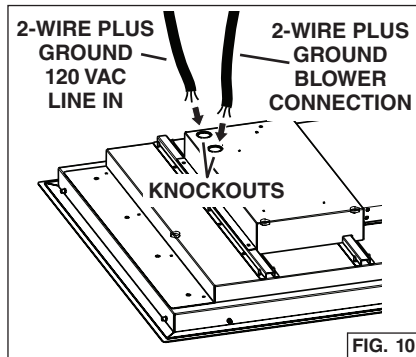
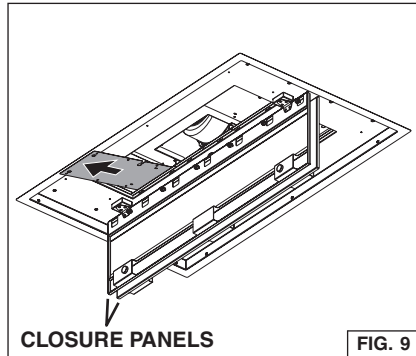
WARNING: All electrical wiring should be done by a qualified person (s) in accordance with all applicable codes and standards. This range hood must be properly grounded.

Do not turn blower on at the service panel until all wires have been connected.

1. From the room interior, pull down both closure panels. Fig. 9.
2. Remove (4) screws from the electrical compartment access panel. Slide the panel sideways to expose the electrical wiring box.

BLOWER CONNECTION AT THE HOOD

1. Run 2-wire plus ground power cable to a $\frac{3}{4}$ " knockout located on the back of the hood. Fig. 10.
2. Remove a $\frac{3}{4}$ " electrical knockout from the back of the hood.
5. From the electrical box marked "MOTOR CONNECTION", remove (2) screws that secure the cover to the metal wiring box. Fig. 11.
6. Pull 6" of cable into the box and secure with an appropriate cable clamp.
7. Make electrical connections inside the "MOTOR CONNECTION" box. Connect red-to-white, **black-to-black** and green-to-ground.
8. Replace the wiring box cover and the screws. Make sure wires are not pinched between the cover and box.

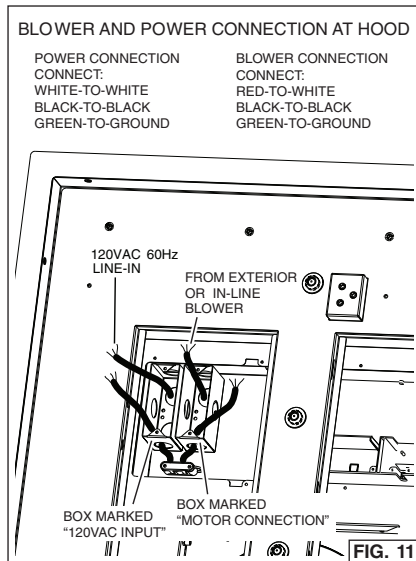


CONNECTIONS AT EXTERIOR OR IN-LINE BLOWER

1. Make electrical connections at the exterior or in-line blower (see blower instructions).

BLOWER CONNECTION AT THE HOOD

1. Run 2-wire plus ground, 120 VAC electrical power cable to a $\frac{3}{4}$ " knockout located on the back of the hood. Fig. 10.
2. Remove a $\frac{3}{4}$ " electrical knockout from the back of the hood.
3. From the electrical box marked "120VAC INPUT"; remove (2) screws that secure the cover to the metal wiring box. Fig. 11.
4. Pull 6" of cable into the box and secure with an appropriate cable clamp.
5. Make electrical connections inside the "120VAC INPUT" box. Connect white-to-white, **black-to-black** and green-to-ground.
6. Replace the wiring box cover and the screws. Make sure wires are not pinched between the cover and box.
7. Replace the electrical compartments access panel and (4) screws.



INSTALL THE FILTERS

1. Pull down both closure panels as shown.
2. To install the grease filters, align rear filter tabs with slots in the hood. Push latch tab in, push filter into position and release. Make sure filter is securely engaged after installation. Fig. 12.
3. To remove the filters for cleaning, push latch tab in to disengage filter from hood. Tilt the filter downward and remove. Fig. 13.

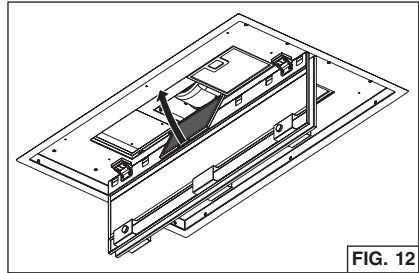


FIG. 12

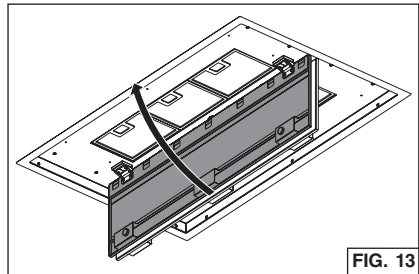


FIG. 13

PROGRAMMING MODE PROCEDURE

The range hood is designed to work with several different blower models. Before using, the control must first be programmed to your blower model, in order to achieve proper operating speeds.

From the chart below:

1. Find the SETUP number that corresponds to the blower model that is installed with your range hood.
2. The control is factory-preset to SETUP 3. If your blower model is listed under SETUP 3, no programming is required. The range hood is ready to use.

	SETUP 1	SETUP 2	SETUP 3 (default)
BLOWER MODEL	EB6	EB12	EB9
MODEL NUMBER	ILB3 ILB6	ILB9 EB15	ILB11

3. For blower models listed under SETUP 1 or 2 follow this program sequence:

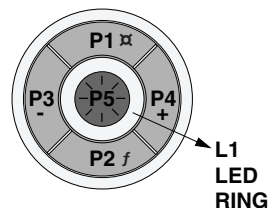
A - Power at the service box must be ON while programming. The blower and lights must be turned off.

B - Press P2 for 3 seconds. The L1 LED ring will flash at 3 different rates of speed: slow flashing speed = SETUP 1; medium flashing speed = SETUP 2; fastest flashing speed = SETUP 3 (the factory-preset default).

C - To select the proper SETUP, press P3 (-) or P4 (+) to change to SETUP 1, 2 or 3.

D - Once the proper SETUP is found, press P2 (f) to memorize the SETUP setting.

E - The range hood is now ready to use.



WARRANTY

ONE YEAR LIMITED WARRANTY FOR BEST PRODUCTS

Broan-NuTone LLC (Broan-NuTone) warrants to the original consumer purchaser of Best products that such products will be free from defects in materials or workmanship for a period of one year from the date of original purchase. THERE ARE NO OTHER WARRANTIES, EXPRESS OR IMPLIED, INCLUDING, BUT NOT LIMITED TO, IMPLIED WARRANTIES OR MERCHANTABILITY OR FITNESS FOR A PARTICULAR PURPOSE.

During this one-year period, Broan-NuTone will, at its option, repair or replace, without charge, any product or part which is found to be defective under normal use and service.

THIS WARRANTY DOES NOT EXTEND TO FLUORESCENT LAMP STARTERS, TUBES, HALOGEN AND INCANDESCENT BULBS, FUSE, FILTERS, DUCTS, ROOF CAPS, WALL CAPS AND OTHER ACCESSORIES FOR DUCTING. This warranty does not cover (a) normal maintenance and service or (b) any products or parts which have been subject to misuse, negligence, accident, improper maintenance or repair (other than by Broan-NuTone), faulty installation or installation contrary to recommended installation instructions.

The duration of any implied warranty is limited to the one-year period as specified for the express warranty. Some states do not allow limitation on how long an implied warranty lasts, so the above limitation may not apply to you.

BROAN-NUTONE'S OBLIGATION TO REPAIR OR REPLACE, AT BROAN-NUTONE'S OPTION, SHALL BE THE PURCHASER'S SOLE AND EXCLUSIVE REMEDY UNDER THIS WARRANTY. BROAN-NUTONE SHALL NOT BE LIABLE FOR INCIDENTAL, CONSEQUENTIAL OR SPECIAL DAMAGES ARISING OUT OF OR IN CONNECTION WITH PRODUCT USE OR PERFORMANCE. Some states do not allow the exclusion or limitation of incidental or consequential damages, so the above limitation or exclusion may not apply to you.

This warranty gives you specific legal rights, and you may also have other rights, which vary from state to state. This warranty supersedes all prior warranties.

To qualify for warranty service, you must (a) notify Broan-NuTone at the address stated below or telephone number stated below, (b) give the model number and part identification and (c) describe the nature of any defect in the product or part. At the time of requesting warranty service, you must present evidence of the original purchase date.

In USA - Best®, 926 W. State Street, Hartford, WI 53027 (800-558-1711)

In Canada - Best®, 550 Lemire Blvd., Drummondville, QC J2C 7W9 (866-737-7770)

www.BestRangeHoods.com

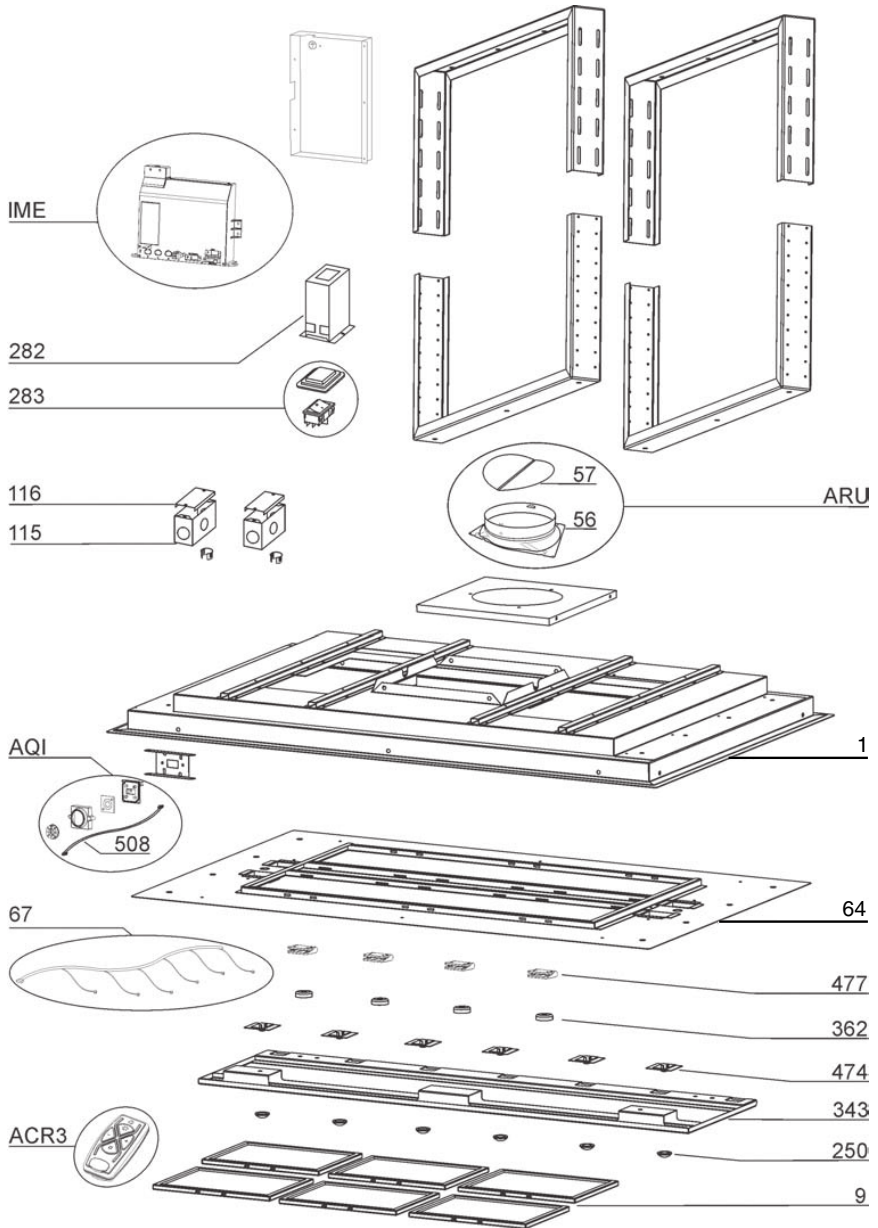
SERVICE PARTS

Model CC34E6SB

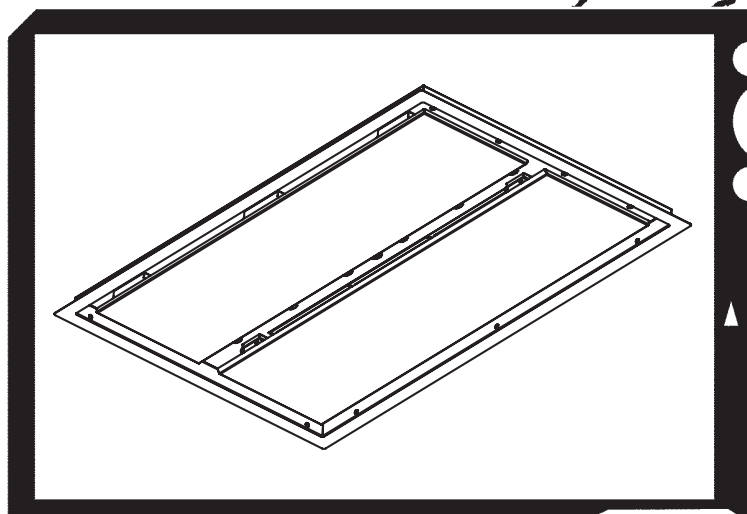
KEY NO.	PART NO.	DESCRIPTION
1	B003102866	FRAME
9	B08087804	GREASE FILTER
56	B08092517	CONNECTION AIR OUTLET
57	B02011341	DAMPER FLAP
64	B03115251	BOTTOM BRACKET
67	B004203477	WIRES
115	BE3350233	FEEDER CABLE CONNECTION BOX
116	BE3334252	FEEDER CABLE CONNECTION BOX COVER
250	B02011389	RING NUT
282	BE3405320	MAIN SWITCH SUPPORT
283	B02300907	MAIN SWITCH
343	B08093078	CLOSURE PANEL
362	B080811027	DOOR MAGNETS WITH SCREWS
474	B02300431	LED LAMP
477	B02011376	CLOSING
508	B02301035	FLAT CABLE CONTROL
998	B080810962	FITTING SET
999	B080813692	INSTALLATION INSTRUCTIONS SET
IME	B06145262	ELECTRICAL INSTALLATION ASSEMBLY
AQI	B06102644	SWITCH BOX ASSEMBLY
ARU	B08092501	CONNECTION AIR OUTLET (INCLUDES KEY No. 56, 57)
ACR3	B08999186	REMOTE CONTROL

SERVICE PARTS

Model CC34E6SB



best®



Modèle CC34E6SB

ENGLISH.....	1
FRANÇAIS.....	17
ESPAÑOL.....	33

Aux ÉTATS-UNIS - BEST Hartford, Wisconsin
Au CANADA - BEST Drummondville, QC, Canada

ENREGISTREZ VOTRE PRODUIT EN LIGNE À : www.BestRangeHoods.com/register
Pour de plus amples informations, visitez www.BestRangeHoods.com

LIRE CES DIRECTIVES ET LES CONSERVER

! POUR USAGE DOMESTIQUE SEULEMENT !

! AVERTISSEMENT

OBSERVEZ LES DIRECTIVES CI-DESSOUS AFIN DE RÉDUIRE LES RISQUES D'INCENDIE, DE CHOC ÉLECTRIQUE OU DE BLESSURES CORPORELLES :

1. N'utilisez cet appareil que de la manière prévue par le fabricant. Si vous avez des questions, communiquez avec le fabricant à l'adresse ou au numéro de téléphone indiqués dans la garantie.
2. Avant de procéder à la réparation ou à l'entretien de l'appareil, coupez l'alimentation du panneau électrique et verrouillez l'interrupteur principal afin d'empêcher que le courant ne soit accidentellement rétabli. S'il est impossible de verrouiller l'interrupteur principal, fixez solidement un message d'avertissement, par exemple une étiquette, sur le panneau électrique.
3. La pose de l'appareil et les travaux d'électricité doivent être effectués par des personnes qualifiées conformément à la réglementation en vigueur, notamment les normes de la construction ayant trait à la protection contre les incendies.
4. Pour éviter les refoulements, l'apport d'air doit être suffisant pour brûler les gaz produits par les appareils à combustion et les évacuer dans le conduit de fumée (cheminée). Respectez les directives du fabricant de l'appareil de chauffage et les normes de sécurité, notamment celles publiées par la National Fire Protection Association (NFPA), l'American Society for Heating, Refrigeration and Air Conditioning Engineers (ASHRAE) et les codes des autorités locales.
5. Veillez à ne pas endommager le câblage électrique ou d'autres équipements non apparents lors de la découpe ou du perçage du mur ou du plafond.
6. Les ventilateurs canalisés doivent toujours rejeter l'air à l'extérieur.
7. N'utilisez pas de commande de régime à semi-conducteurs conjointement avec cet appareil.
8. Pour réduire les risques d'incendie, utilisez seulement des conduits en métal.
9. Cet appareil doit être relié à une mise à la terre.
10. Type d'installation non-IC : L'isolant thermique de la maison ne doit pas couvrir le haut de la hotte et doit être à au moins 76 mm (3 po) du boîtier de tout côté. (Fig. 1)

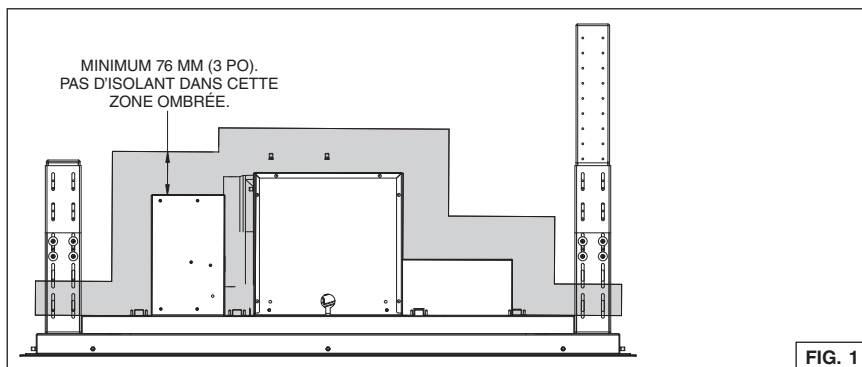


FIG. 1

POUR RÉDUIRE LES RISQUES D'INCENDIE CAUSÉS PAR DE LA GRAISSE SUR LE PLAN DE CUISSON :

- A. Ne laissez jamais les éléments de surface allumés à haute température. Les débordements peuvent causer de la fumée et occasionner des écoulements de graisse inflammables. L'huile doit être chauffée graduellement à basse ou à moyenne température.
- B. Mettez toujours la hotte en MARCHE lors de la cuisson à feu vif ou lors de la cuisson d'aliments à flamber (crêpes Suzette, cerises jubilé, bœuf au poivre flambé).
- C. Nettoyez souvent la hotte. Ne laissez pas la graisse s'accumuler sur le ventilateur ou les filtres.
- D. Utilisez des casseroles de dimension appropriée. Utilisez toujours une batterie de cuisine adaptée à la dimension de la surface chauffante.

OBSERVEZ LES CONSIGNES SUIVANTES DE MANIÈRE À RÉDUIRE LES RISQUES DE BLESSURES CORPORELLES EN CAS D'INCENDIE CAUSÉ PAR DE LA GRAISSE SUR LE PLAN DE CUISSON :*

1. **ÉTOUFFEZ LES FLAMMES** à l'aide d'un couvercle étanche, d'une tôle à biscuits ou d'un plateau en métal puis éteignez le brûleur. FAITES ATTENTION DE NE PAS VOUS BRÛLER. Si les flammes ne s'éteignent pas immédiatement, QUITTEZ LES LIEUX ET APPELEZ LE SERVICE DES INCENDIES.
2. **NE SOULEVEZ JAMAIS UNE CASSEROLE EN FLAMMES** - vous pourriez vous brûler.
3. **N'UTILISEZ PAS D'EAU**, ni de serviettes ou de linges mouillés – une violente explosion de vapeur pourrait survenir.
4. Utilisez un extincteur **SEULEMENT** si :
 - A. Vous savez qu'il est de classe ABC et vous connaissez déjà son mode de fonctionnement.
 - B. L'incendie n'est pas très important et ne se propage pas.
 - C. Les pompiers ont été avisés.
 - D. Vous pouvez combattre l'incendie en faisant dos à une sortie.

* Conseils tirés de la publication de la NFPA « Kitchen Fire Safety Tips ».

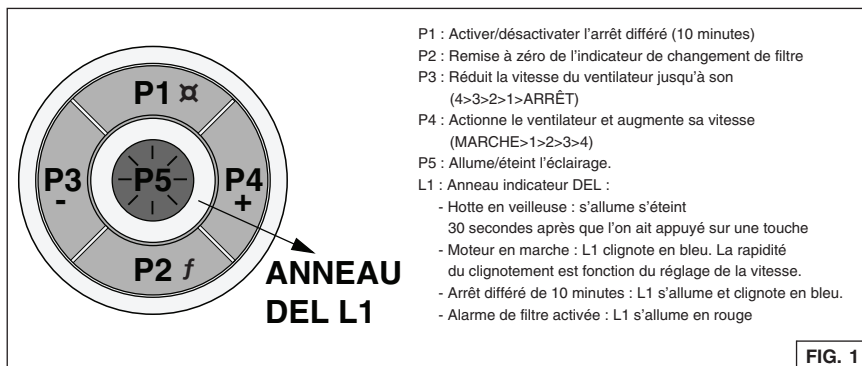
ATTENTION

1. Pour usage intérieur seulement.
2. Pour réduire les risques d'incendie et évacuer l'air correctement, assurez-vous qu'il est canalisé à l'extérieur. N'évacuez pas l'air dans des espaces enfermés par des murs ou un plafond ou dans un grenier, un vide sanitaire ou un garage.
3. Faites attention lorsque vous utilisez des agents nettoyants ou des détergents.
4. Évitez d'utiliser des produits alimentaires pouvant produire des flammes sous la hotte.
5. Pour ventilation générale uniquement. N'évacuez pas cet appareil pour évacuer des matières ou des vapeurs dangereuses ou explosives.
6. Pour éviter d'endommager les roulements de moteur, de déséquilibrer les pales ou de les rendre bruyantes, débarrassez l'appareil de la poussière de plâtre, de construction, etc.
7. Le moteur de la hotte est muni d'un dispositif de protection de surcharge électrique qui coupe automatiquement le moteur en cas de surchauffe. Il se remet en marche lorsqu'il a refroidi. Faites réparer la hotte si le moteur continue à fonctionner par intermittence.
8. Pour mieux capter les vapeurs de cuisson, le bas de la hotte doit être au minimum à 122 cm (48 po) et au maximum à 183 cm (72 po) de la surface de cuisson.
9. Il est recommandé d'avoir deux installateurs, compte tenu de la taille et du poids de cette hotte.
10. La source d'éclairage est conçue pour cette application particulière et peut surchauffer si elle est réparée par un personnel sans formation. Si une réparation est nécessaire, le produit doit être retourné à un centre de service agréé pour être examiné ou réparé.
11. Veuillez lire l'étiquette de spécifications du produit pour obtenir plus de renseignements, notamment sur les exigences.
12. Pour réduire les risques d'incendie ou de choc électrique, installez cette hotte uniquement avec les modèles de ventilateur extérieur Best EB6, EB9, EB12, EB15, ou les modèles de ventilateur intermédiaire Best ILB3, ILB6, ILB9 ou ILB11. Aucun autre ventilateur ne peut être substitué. (Ventilateur vendu séparément.)
13. Cette hotte encastrable est munie d'un récepteur radio (télécommande optionnelle vendue séparément). Tous changements ou modifications qui ne sont pas approuvés par la partie responsable de la conformité pourraient annuler la possibilité d'opérer l'équipement. La télécommande a été testée et est en accord avec les limites de la Classe B appareil numérique et est conforme au chapitre 15 des règlements FCC et ICES-003 canadiens. Ces limites sont développées afin de fournir une protection raisonnable contre des interférences dommageables dans une installation résidentielle. La télécommande génère, utilise et peut émettre des flux de fréquences radio qui peuvent causer des interférences aux communications radio, si elle n'est pas installée selon les instructions. Cependant, il n'y a aucune garantie que ces dites interférences ne se produiront pas dans une installation particulière. Si cet équipement cause des interférences à un récepteur radio ou un téléviseur, cela peut être confirmé en éteignant et rallumant l'appareil, l'utilisateur est encouragé à corriger cette situation en essayant les solutions suivantes :
 - Réorienter ou relocaliser l'antenne réceptrice
 - Augmenter la distance entre l'équipement et le récepteur
 - Connecter l'équipement à une autre prise électrique ou un autre disjoncteur différent de celui du récepteur

FONCTIONNEMENT

Commandes (Fig. 1)

La hotte fonctionne à l'aide de cinq (5) boutons-poussoirs situés sur la hotte et avec la télécommande. Couleurs de LED sont affichés sur le contrôle hotte uniquement.



(P1) Interrupteur d'arrêt différé

- Votre hotte comprend un interrupteur pour l'arrêt différé de 10 minutes. Appuyez une fois pour activer la minuterie d'arrêt différé et l'anneau DEL (L1) se met à clignoter en bleu. Le ventilateur continuera de fonctionner pendant 10 minutes. Après 10 minutes, le ventilateur s'arrête automatiquement.
- Pour annuler l'arrêt différé, appuyez de nouveau sur l'interrupteur.

(P2) Interrupteur d'alarme de filtre

- Après 30 heures de fonctionnement du ventilateur, l'alarme de filtre s'active et l'anneau DEL (L1) se met à clignoter en rouge. Cela indique que les filtres à graisses doivent être nettoyés.
- Une fois ceux-ci nettoyés, appuyez sur le bouton de remise à zéro de l'indicateur de changement de filtre (P2) pendant l'affichage de l'alarme.

(P3) Bouton de réduction de la vitesse du ventilateur et d'arrêt

- Appuyez pour réduire la vitesse du ventilateur. La vitesse de clignotement de l'anneau DEL (L1) en bleu est fonction du réglage choisi (par ex. : quatre clignotements correspondent au régime maximal, un clignotement au régime lent, etc.)
- Pour arrêter le ventilateur, continuez d'appuyer sur l'interrupteur.

(P4) Bouton de mise en marche et d'augmentation de la vitesse du ventilateur

- Appuyez une fois pour mettre le ventilateur en marche au régime le plus lent.
- Appuyez de nouveau pour augmenter le régime du ventilateur. La vitesse de clignotement de l'anneau DEL (L1) en bleu est fonction du réglage choisi (par ex. : quatre clignotements correspondent au régime maximal, un clignotement au régime lent, etc.)

(P5) Interrupteur d'éclairage

Il allume et éteint l'éclairage.

Maître interrupteur On-Off


Situé derrière l'un des filtres d'angle, ce commutateur doit être sur ON (indiquée comme "I") avant de la hotte fonctionner. Éteignez le commutateur (indiquée comme "O") pour couper l'alimentation de la cagoule.

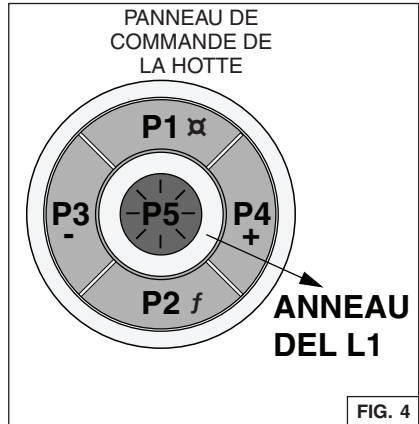
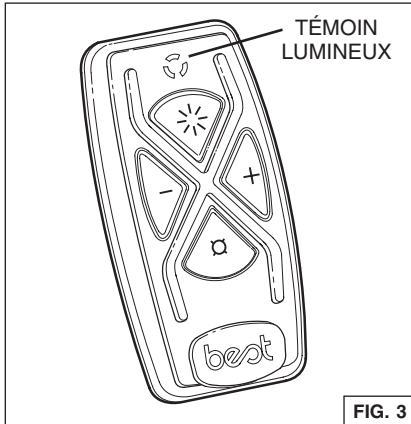
TÉLÉCOMMANDE

La télécommande est jumelée à la hotte dès sa sortie de l'usine.





Si pour une raison quelconque cette liaison est perdue – veuillez suivre les directives ci-dessous :



Liaison de la télécommande à la hotte


1. Arrêtez le moteur de la hotte et éteignez l'éclairage.
2. Appuyez sur le bouton  de la télécommande pendant au moins 3 secondes et relâchez le bouton. Le témoin lumineux s'allume. (Fig. 3)
3. Dans les 3 secondes, appuyez sur **f** (P2) sur le panneau de commande de la hotte. (Fig. 4)
L'anneau DEL clignote pendant environ 10 secondes pour confirmer que la liaison a réussi.



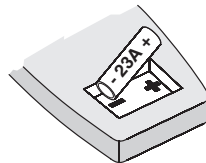
Fonctions de la télécommande (Fig.3)

-  Arrêt différé – Désactivé
-  Bouton de réduction de la vitesse du ventilateur et d'arrêt
-  Bouton de mise en marche et d'augmentation de la vitesse du ventilateur
-  Éclairage

Appuyez sur  (Arrêt différé) et  (Éclairage) ensemble pour réinitialiser l'alarme de filtre.

IMPORTANT : Maintenez  (Arrêt différé) pour plus de 3 secondes provoque le lien entre la télécommande et le capot pour être perdu.

Pour de plus amples informations sur chaque fonction, consultez la section « Commandes » à la page précédente.



Mise au rebut des piles

Lorsque les piles doivent être remplacées, prenez soin de les déposer dans l'un des nombreux bacs de recyclage répartis au pays, particulièrement dans les magasins d'électronique. Le respect des normes en matière de collecte sélective, particulièrement pour la mise au rebut des piles usées, contribue à éviter de possibles effets négatifs sur l'environnement et la santé.

NETTOYAGE ET ENTRETIEN

Un entretien adéquat de la hotte assurera son bon fonctionnement.

Moteur

Le moteur est lubrifié en permanence et n'a pas besoin d'être huilé. Si les roulements du moteur sont anormalement bruyants, remplacez le moteur exactement par le même modèle. La roue à ailettes doit aussi être remplacée.

Filtres à graisses

Les filtres à graisses doivent être nettoyés fréquemment. Utilisez une solution tiède de détergent. Ces filtres sont lavables au lave-vaisselle.

Nettoyez les filtres entièrement métalliques au lave-vaisselle avec un détergent sans phosphate. Une décoloration du filtre peut se produire si des détergents phosphatés sont utilisés et selon les conditions locales de l'eau, sans toutefois affecter le rendement du filtre. Cette décoloration n'est pas couverte par la garantie.

Voir la section « INSTALLATION DES FILTRES » pour leur enlèvement et leur pose.

Nettoyage de l'acier inoxydable

À FAIRE :

- Régulièrement, nettoyez toutes les surfaces avec un chiffon propre imbibé d'eau tiède et de savon doux ou de liquide à vaisselle.
- Nettoyez toujours dans le sens des lignes du poli original.
- Rincez toujours à l'eau propre (2 ou 3 fois) après le nettoyage. Séchez complètement en essuyant.
- Vous pouvez également utiliser un nettoyeur spécial pour acier inoxydable.

À NE PAS FAIRE :

- N'utilisez pas de laine d'acier ordinaire ni de laine d'acier inoxydable ou tout genre de grattoir pour déloger la saleté.
- N'utilisez aucun nettoyeur puissant ou abrasif.
- Ne laissez pas la saleté s'accumuler.
- Ne laissez pas la poussière de plâtre ou tout autre résidu de construction pénétrer dans la hotte. Pendant des travaux de construction ou de rénovation, couvrez la hotte pour empêcher la poussière d'adhérer aux surfaces d'acier inoxydable.

À éviter : lors du choix d'un détergent

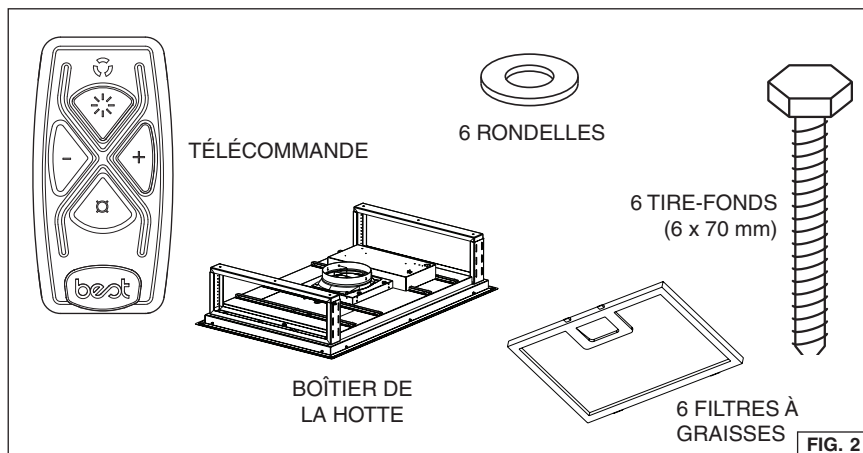
- Tout nettoyeur contenant de l'eau de javel attaquera l'acier inoxydable.
- Tout produit contenant : du chlore, du fluor, de l'iode ou du brome détériorera rapidement les surfaces.
- Tout produit combustible utilisé pour le nettoyage comme l'acétone, l'alcool, l'éther, le benzol, etc., est hautement explosif et ne doit jamais être utilisé à proximité d'une hotte.

PRÉPARATION DE LA HOTTE

Déballer la hotte et vérifiez le contenu de la boîte.

Celle-ci doit contenir les éléments suivants :

- 1 - Boîtier de hotte
- 1 - Télécommande
- 6 - Filtres à graisses
- 6 - Tire-fonds, 6 x 70 mm
- 6 - Rondelles



SÉLECTION D'UN VENTILATEUR EXTÉRIEUR OU INTERMÉDIAIRE

⚠ ATTENTION : Un ventilateur extérieur ou intermédiaire peut être utilisé avec cette hotte. Le modèle de hotte CC34ESB ne peut être installé qu'avec les modèles de ventilateur extérieur Best EB6, EB12, ou les modèles de ventilateur intermédiaire Best ILB3, ILB6, ou ILB9. Aucun autre ventilateur ne peut être substitué. (Ventilateur vendu séparément.)

Le ventilateur doit être homologué cULus pour être utilisé au Canada ou aux États-Unis, et évalué avec une commande de régime à semi-conducteurs de 120 V, 60 Hz, 3,0 A max.

POSE DU CONDUIT



AVERTISSEMENT :
Pour réduire les risques d'incendie, utilisez seulement des conduits en métal.

1. Choisissez l'emplacement de la hotte, du ventilateur extérieur ou intermédiaire et de tout capuchon mural ou de toit, et décidez de l'emplacement des conduits. Consultez la Fig. 4 et les instructions du ventilateur extérieur ou intermédiaire pour obtenir des suggestions.

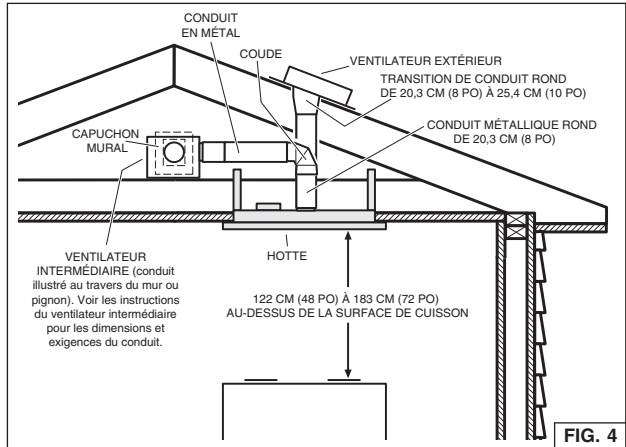


FIG. 4

2. Un tracé droit et court permet à la hotte d'être plus efficace. Des conduits longs, des coudes et des transitions réduisent son efficacité. N'en utilisez que le moins possible. Pour plus d'efficacité, des conduits plus gros peuvent être nécessaires si le parcours est trop long.
3. Installez un ventilateur extérieur ou intermédiaire.
4. Connectez le conduit en métal au ventilateur extérieur ou intermédiaire en progressant vers la hotte. Des coudes et des transitions peuvent être nécessaires. Consultez les instructions du ventilateur extérieur ou intermédiaire pour de plus amples informations. Scellez les joints avec du ruban à conduit à chaque section.

PRÉPARATION DE L'OUVERTURE DU PLAFOND

La hotte doit être centrée au-dessus de la surface de cuisson. Assurez-vous d'un espace adéquat dans la structure du plafond pour l'installation de la hotte et des conduits. Pour mieux capter les vapeurs de cuisson, la hotte doit être 122 cm (48 po) à 183 cm (72 po) au-dessus de la cuisinière. (Fig. 4)

Utilisez du bois de la taille des solives pour fabriquer une charpente autour de l'ouverture de la hotte. La structure du plafond doit être capable de supporter le poids de la hotte, soit 26 kg (58 livres). (Fig. 5)

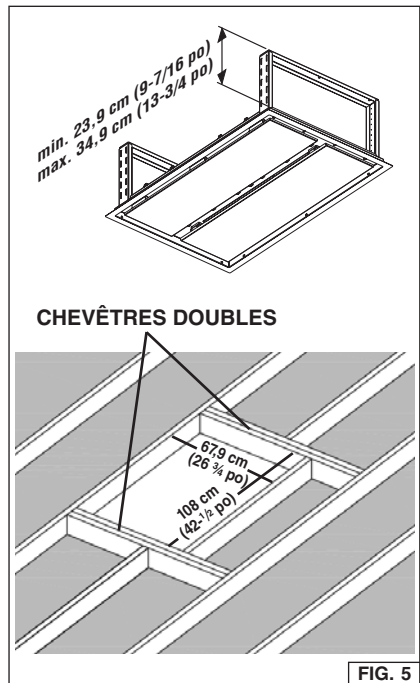
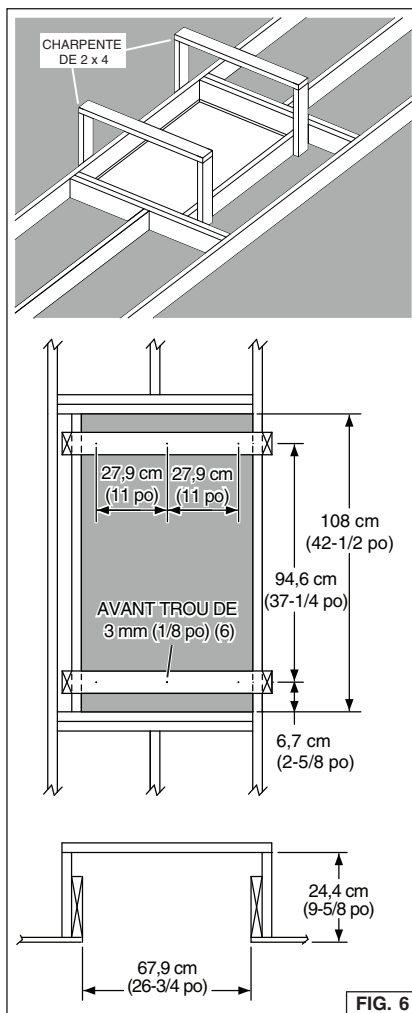


FIG. 5

PRÉPARATION DU SUPPORT DE LA HOTTE

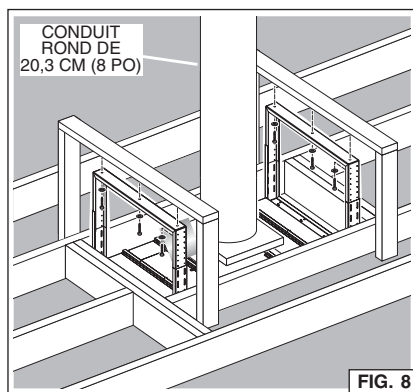
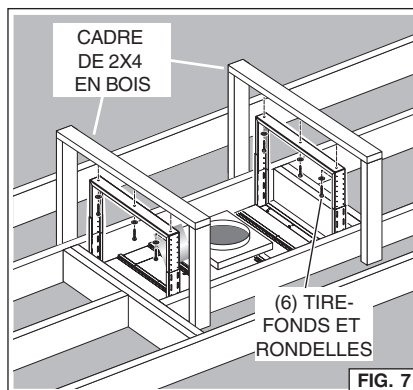
1. Construisez une charpente de support, tel qu'illustré à la Fig. 6.
2. La structure doit être capable de supporter son propre poids plus celui de la hotte [26 kg (58 livres)].



INSTALLATION DE LA HOTTE

⚠ ATTENTION : Il est recommandé d'avoir deux installateurs, compte tenu de la taille et du poids de cette hotte.

1. Soulevez la hotte dans l'ouverture du plafond.
2. Fixez chaque cadre de soutien de la hotte à la charpente de bois à l'aide des (6) tire-fonds de 6 x 70 mm et rondelles fournis. Fig. 7.
3. Ajustez la hauteur des cadres de soutien télescopiques pour assurer un ajustement parfait de la hotte et de la surface finie du plafond.
4. Sur le collier de sortie du ventilateur, raccordez le conduit menant l'air à l'extérieur. Fig. 8.
5. Scellez les joints avec du ruban à conduit.



RACCORD DU CÂBLAGE



AVERTISSEMENT : Les travaux d'électricité doivent être effectués par des personnes qualifiées en respectant les codes et les normes en vigueur. Cette hotte de cuisine doit être correctement mise à la terre.

Ne rétablissez pas le courant du panneau électrique avant que tous les câbles aient été connectés.

1. De l'intérieur de la pièce, rabattez vers le bas les deux panneaux de fermeture. Fig. 9.
2. Enlevez les quatre (4) vis du panneau d'accès au compartiment électrique. Glissez le panneau de côté pour exposer le boîtier de connexion.

CONNEXION DU VENTILATEUR À LA HOTTE

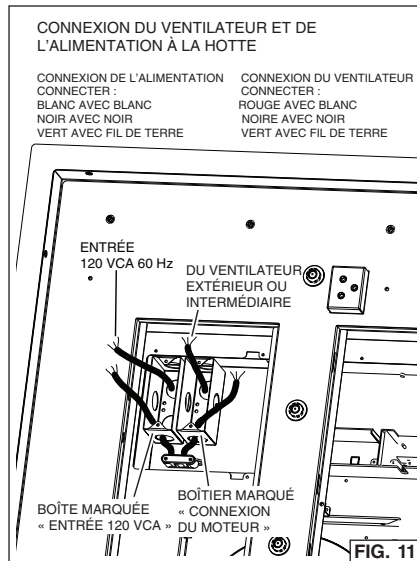
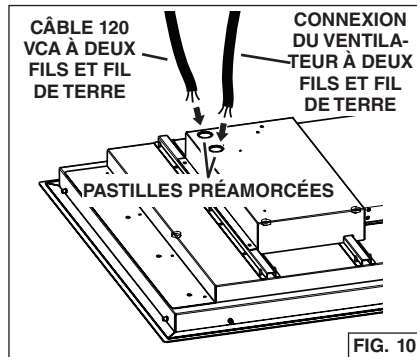
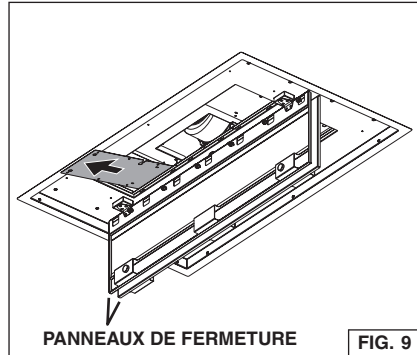
1. Acheminez un câble d'alimentation électrique à deux fils (plus un fil de terre) jusqu'à une ouverture préamorcée de 19 mm (3/4 po) à l'arrière de la hotte. Fig. 10.
2. Enlevez l'ouverture préamorcée de 19 mm (3/4 po) à l'arrière de la hotte.
3. Dans le boîtier électrique marqué « CONNEXION DU MOTEUR », enlevez les deux (2) vis qui retiennent le couvercle au boîtier métallique de câblage. Fig. 11.
4. Tirez 15,2 cm (6 po) de câble dans le boîtier et fixez-le avec le connecteur approprié.
5. Effectuez toutes les connexions à l'intérieur du boîtier de « CONNEXION DU MOTEUR ». Branchez les fils rouge-blanc, le fil noir au noir et le fil vert avec le fil de terre.
6. Remplacez le couvercle du boîtier de câblage et les vis. Assurez-vous qu'aucun des câbles n'est coincé entre le couvercle et le boîtier.

CONNEXION DU VENTILATEUR EXTÉRIEUR OU INTERMÉDIAIRE

1. Effectuez les branchements électriques du ventilateur extérieur ou intermédiaire (voir les instructions fournies avec le ventilateur).

CONNEXION DU VENTILATEUR À LA HOTTE

1. Acheminez un câble d'alimentation électrique à deux fils (plus un fil de terre) jusqu'à une ouverture préamorcée de 19 mm (3/4 po) à l'arrière de la hotte. Fig. 10.
2. Enlevez l'ouverture préamorcée de 19 mm (3/4 po) à l'arrière de la hotte.
3. Dans la boîte électrique marquée « ENTRÉE 120 VCA », enlevez les deux (2) vis qui retiennent le couvercle à la boîte métallique de câblage. Fig. 11.
4. Tirez 15,2 cm (6 po) de câble dans la boîte et fixez-le avec le connecteur approprié.
5. Effectuez toutes les connexions à l'intérieur de la boîte « ENTRÉE 120 VCA ». Branchez les fils blancs ensemble, **les fils noirs ensemble** et le fil vert avec le fil de terre.
6. Remplacez le couvercle du boîtier de câblage et les vis. Assurez-vous qu'aucun des câbles n'est coincé entre le couvercle et le boîtier.
7. Remplacez le panneau d'accès du compartiment électrique et les quatre (4) vis.



INSTALLATION DES FILTRES

1. Rabattez vers le bas les deux panneaux de fermeture.
2. Pour installer les filtres à graisses, alignez les ergots arrière des filtres dans les fentes de la hotte. Enfoncez la languette métallique, poussez le filtre en place et relâchez la languette. Vérifiez si le filtre est bien fixé une fois remplacé. Fig. 12.
3. Pour enlever les filtres pour le nettoyage, enfoncez la languette métallique afin de dégager les filtres de la hotte. Inclinez le filtre vers le bas et enlevez-le. Fig. 13.

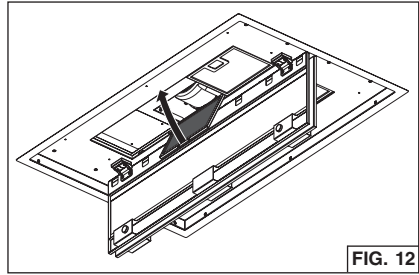


FIG. 12

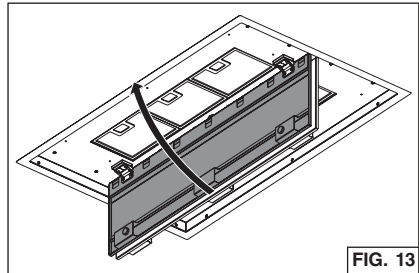


FIG. 13

PROCÉDURE DE PROGRAMMATION DU MODE

Cette hotte est conçue pour fonctionner avec différents modèles de ventilateur. Avant son utilisation, la commande doit être programmée en fonction de votre modèle de ventilateur afin de régler correctement sa vitesse.

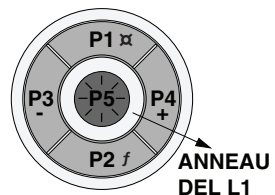
Dans le tableau ci-dessous :

1. Trouvez le numéro de RÉGLAGE qui correspond au modèle de ventilateur installé avec votre hotte.
2. La télécommande est réglée à l'usine à RÉGLAGE 3. Si votre ventilateur figure sous RÉGLAGE 3, aucune programmation n'est requise. La hotte est maintenant prête à utiliser.

3. Pour les modèles de ventilateur indiqués sous RÉGLAGE 1 ou 2, suivez cette séquence de programmation :

- A - Le courant doit être rétabli au panneau électrique pendant la programmation. Le ventilateur et l'éclairage doivent être éteints.
- B. Appuyez sur P2 pendant 3 secondes. Le témoin DEL L1 se met à clignoter aux 3 rythmes différents : clignotement lent = RÉGLAGE 1; clignotement moyen = RÉGLAGE 2; clignotement rapide = RÉGLAGE 3 (par défaut).
- C. Pour sélectionner le RÉGLAGE adéquat, appuyez sur P3 (-) ou P4 (+) afin de passer entre les RÉGLAGES 1, 2 ou 3.
- D. Une fois le RÉGLAGE adéquat trouvé, appuyez sur P2 (f) pour mémoriser le RÉGLAGE choisi.
- E. La hotte est maintenant prête à utiliser.

	RÉGLAGE 1	RÉGLAGE 2	RÉGLAGE 3 (défaut)
NUMÉRO DE MODÈLE DU VENTILATEUR	EB6 ILB3 ILB6	EB12 ILB9 EB15	EB9 ILB11



GARANTIE

GARANTIE LIMITÉE D'UN AN DES PRODUITS BEST

Broan-NuTone LLC (Broan-NuTone) garantit à l'acheteur original d'un produit Best qu'il est exempt de tout vice de matériau ou de fabrication pour une période d'un an à compter de la date d'achat originale. CETTE GARANTIE NE COMPORTE AUCUNE AUTRE GARANTIE, EXPRESSE OU TACITE, Y COMPRIS, MAIS SANS S'Y LIMITER, LES GARANTIES TACITES DE VALEUR MARCHANDE OU D'ADAPTATION À UN USAGE PARTICULIER.

Durant cette période d'un an, Broan-NuTone réparera ou remplacera gratuitement, à sa discrétion, tout produit ou toute pièce jugés défectueux dans des conditions normales d'utilisation.

CETTE GARANTIE NE S'APPLIQUE PAS AUX TUBES FLUORESCENTS ET AUX DÉMARREURS, NI AUX AMPOULES HALOGÈNES OU INCANDESCENTES, FUSIBLES, FILTRES, CONDUITS, CAPUCHONS DE TOIT, CAPUCHONS MURAUX ET AUTRES ACCESSOIRES POUR CONDUITS. Cette garantie ne couvre pas (a) les frais d'entretien ou de service normaux ni (b) tout produit ou toute pièce soumis à un abus, une négligence, un accident, un entretien ou une réparation inadéquats (autres que ceux effectués par Broan-NuTone), une mauvaise installation ou une installation contraire aux instructions recommandées.

La durée de toute garantie tacite est limitée à la période d'un an stipulée pour la garantie expresse. Certains territoires ou provinces interdisant de limiter la durée d'une garantie tacite, la limitation ci-dessus peut ne pas s'appliquer à votre situation. L'OBLIGATION POUR BROAN-NUTONE DE RÉPARER OU DE REMPLACER LE PRODUIT, À SA DISCRÉTION, CONSTITUE LE SEUL RECOURS DE L'ACHETEUR EN VERTU DE LA PRÉSENTE GARANTIE. BROAN-NUTONE NE PEUT ÊTRE TENUE RESPONSABLE DES DOMMAGES INDIRECTS OU CONSÉCUTIFS NI DES DOMMAGES-INTÉRÊTS PARTICULIERS DÉCOULANT DE L'UTILISATION OU DU RENDEMENT DU PRODUIT. Certains territoires ou provinces ne permettant pas la limitation ou l'exclusion des dommages indirects ou consécutifs, la limitation ci-dessus peut ne pas s'appliquer à votre situation.

La présente garantie vous confère des droits spécifiques reconnus par la loi. D'autres droits pourraient également vous être accordés selon la législation locale en vigueur. La présente garantie remplace toutes les autres garanties précédentes.

Pour vous prévaloir de cette garantie, vous devez (a) aviser Broan-NuTone à l'adresse ou au numéro de téléphone indiqués ci-dessous, (b) donner le numéro de modèle du produit et le numéro d'identification de la pièce et (c) décrire la nature de la défectuosité du produit ou de la pièce. Lors de votre demande de garantie, vous devez présenter une preuve de la date d'achat originale.

Aux États-Unis - Best®, 926 W. State Street, Hartford, WI 53027 (800-558-1711)

Au Canada - Best®, 550 Boul. Lemire, Drummondville, QC J2C 7W9 (866-737-7770)

www.BestRangeHoods.com

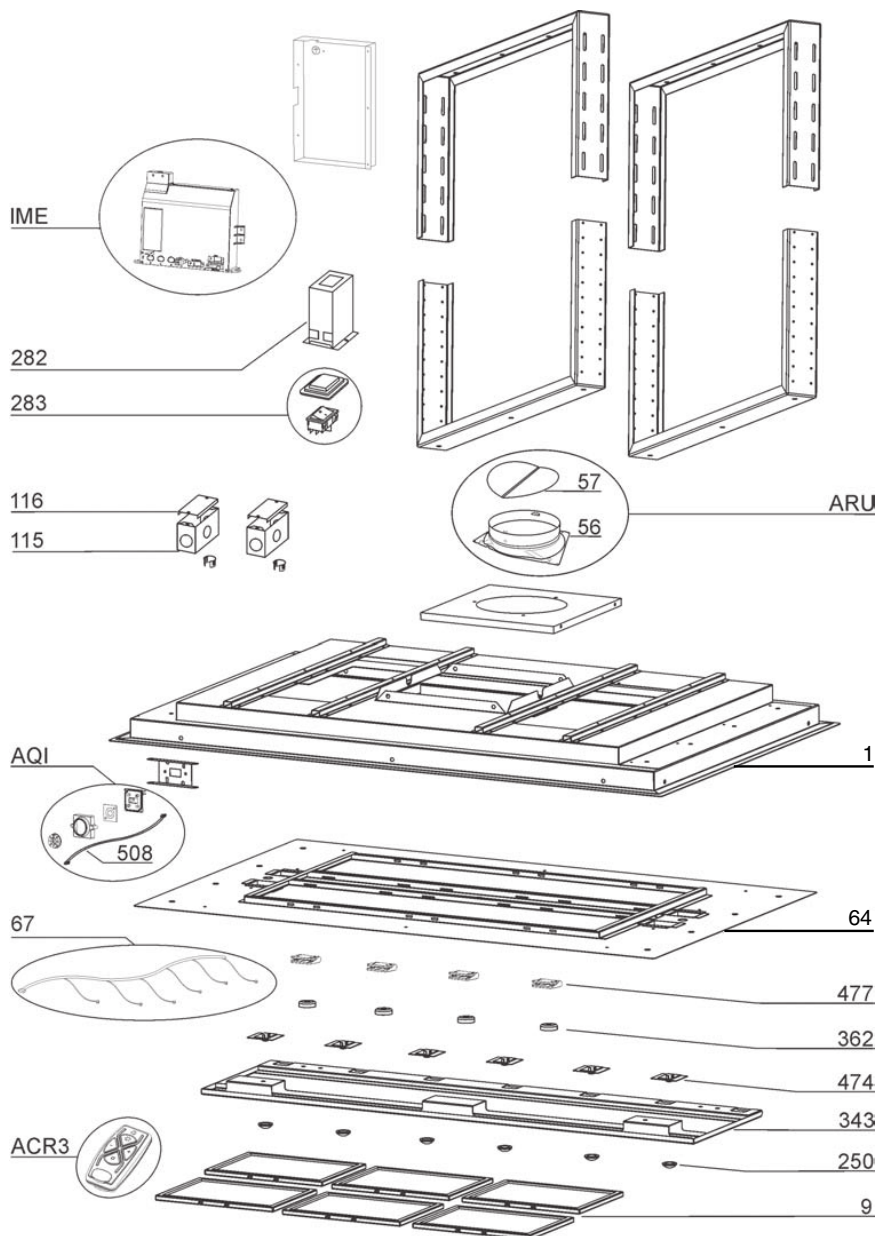
PIÈCES DE RECHANGE

Modèle CC34E6SB

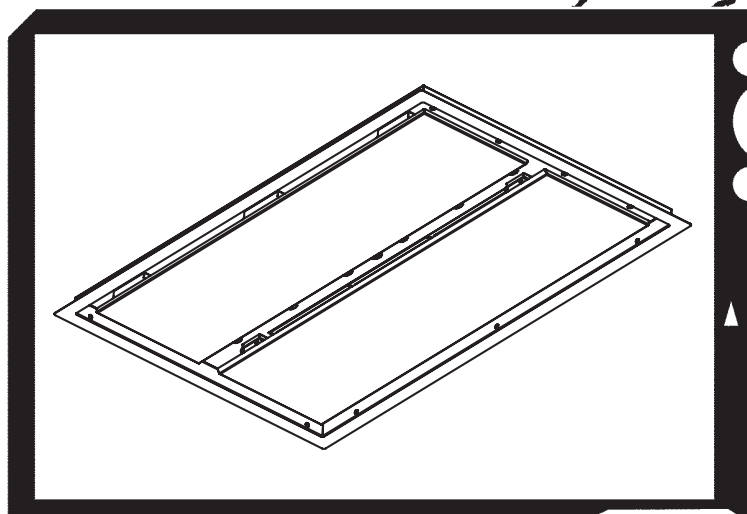
REPÈRE	N° DE PIÈCE	DESCRIPTION
1	B003102866	CADRE
9	B08087804	FILTRE À GRAISSES
56	B08092517	RACCORD DE SORTIE D'AIR
57	B02011341	CLAPET ANTI-RETOUR
64	B03115251	SUPPORT INFÉRIEUR
67	B004203477	FILS
115	BE3350233	BOÎTIER DE CONNEXION DU CÂBLE D'ALIMENTATION
116	BE3334252	COUVERCLE DU BOÎTIER DE CONNEXION DU CÂBLE D'ALIMENTATION
250	B02011389	ANNEAU DE FIXATION
282	BE3405320	SUPPORT D'INTERRUPTEUR PRINCIPAL
283	B02300907	INTERRUPTEUR PRINCIPAL
343	B08093078	PANNEAU DE FERMETURE
362	B080811027	AIMANT DU PANNEAU AVEC VIS
474	B02300431	LAMPE HALOGÈNE
477	B02011376	FERMOIR
508	B02301035	CÂBLE COMMANDES
998	B080810962	ENSEMBLE DE RACCORD
999	B080813692	ENSEMBLE DE DIRECTIVES D'INSTALLATION
IME	B06145262	ENSEMBLE D'INSTALLATION ÉLECTRIQUE
AQI	B06102644	ENSEMBLE DE BOÎTIER D'INTERRUPTEUR
ARU	B08092501	RACCORD DE SORTIE D'AIR (COMPREND REPÈRES NOS 56, 57)
ACR3	B08999186	TÉLÉCOMMANDE

PIÈCES DE RECHANGE

Modèle CC34E6SB



best®



Modelo CC34E6SB

ENGLISH.....	1
FRANÇAIS.....	17
ESPAÑOL.....	33

En EE.UU. - BEST Hartford, Wisconsin
En CANADÁ - BEST Drummondville, QC, Canada

REGISTRE SU PRODUCTO EN LÍNEA EN: www.BestRangeHoods.com/register
Si desea información adicional, visite www.BestRangeHoods.com

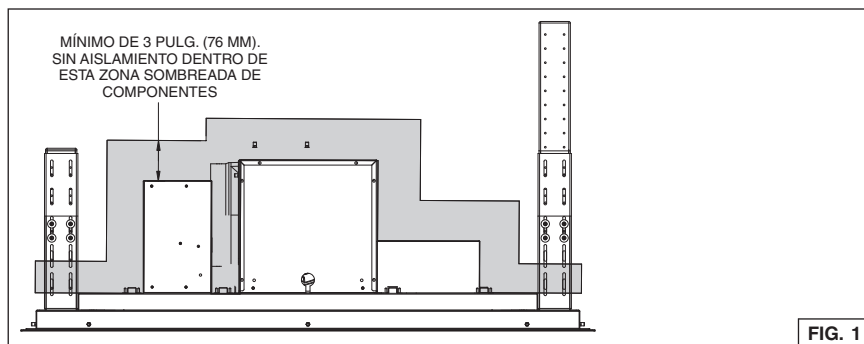
LEA Y CONSERVE ESTAS INSTRUCCIONES

⚠ INDICADO SOLAMENTE PARA COCINAR EN CASA ⚠

⚡ ⚠ ADVERTENCIA

PARA REDUCIR EL RIESGO DE INCENDIOS, DESCARGAS ELÉCTRICAS O LESIONES PERSONALES, OBSERVE LAS SIGUIENTES PRECAUCIONES:

1. Use la unidad sólo de la manera indicada por el fabricante. Si tiene preguntas, comuníquese con el fabricante a la dirección o al número telefónico que se incluye en la garantía.
2. Antes de dar servicio o limpiar la unidad, interrumpa el suministro eléctrico en el panel de servicio y bloquee el panel de servicio para evitar que se active accidentalmente la electricidad. Cuando no sea posible bloquear los medios de desconexión del servicio, fije firmemente una señal de advertencia (como una etiqueta) en un lugar visible del panel de servicio.
3. Una o más personas calificadas deben realizar el trabajo de instalación y el cableado eléctrico, de acuerdo con todos los códigos y normas correspondientes, incluidos los códigos y normas de construcción específicos de protección contra incendios.
4. Se necesita suficiente aire para que se lleve a cabo una combustión y una extracción adecuadas de los gases a través del tubo de humos (chimenea) del equipo quemador de combustible, con el fin de evitar el contratiro. Siga las directrices y las normas de seguridad del fabricante del equipo de calefacción, como las publicadas por la Asociación Nacional de Protección contra Incendios (National Fire Protection Association, NFPA), y la Sociedad Americana de Ingenieros en Calefacción, Refrigeración y Aire Acondicionado (American Society for Heating, Refrigeration and Air Conditioning Engineers, ASHRAE), y las autoridades de los códigos locales.
5. Al cortar o perforar a través de la pared o del techo, tenga cuidado de no dañar el cableado eléctrico ni otros servicios ocultos.
6. Los ventiladores en conductos siempre deben ventearse hacia el exterior.
7. No use esta unidad junto con ningún dispositivo separado de estado sólido para el control de la velocidad.
8. Para reducir el riesgo de incendio, use solamente conductos metálicos.
9. Esta unidad debe estar conectada a tierra.
10. Instalación del tipo que no es IC: El aislamiento térmico no debe cubrir la cubierta superior de la campana y debe estar separado 3 pulgadas (76 mm) de todos los lados. (Fig. 1)



PARA REDUCIR EL RIESGO DE INCENDIO PROVOCADO POR GRASA PRESENTE EN LA ESTUFA:

- A. Nunca deje desatendidas las unidades de la superficie cuando estén en ajustes altos de calor. Los alimentos en ebullición provocan derrames grasosos y con humo que se pueden incendiar. Caliente el aceite lentamente en ajustes de calor bajo o medio.
- B. Siempre ENCIENDA la campana cuando esté cocinando a altas temperaturas o flamee alimentos (por ejemplo crepas Suzette, cerezas Jubilee, bistec con pimienta flameado).
- C. Limpie frecuentemente los ventiladores. No permita la acumulación de grasa en el ventilador ni en el filtro.
- D. Use una cacerola del tamaño adecuado. Siempre use utensilios de cocina que sean apropiados para el tamaño del elemento de la superficie.

PARA REDUCIR EL RIESGO DE LESIONES A LAS PERSONAS EN CASO DE UN INCENDIO PRODUCIDO POR GRASA EN UNA ESTUFA, OBSERVE LO SIGUIENTE*:

1. APAGUE LAS LLAMAS con una tapa de ajuste exacto, una charola para galletas o una bandeja de metal, y después apague el quemador. PROCEDA CON CUIDADO PARA EVITAR QUEMADURAS. Si las llamas no se apagan inmediatamente, EVACUE EL ÁREA Y LLAME A LOS BOMBEROS.
2. NUNCA LEVANTE UNA CACEROLA INCENDIADA porque podría ocasionarse quemaduras.
3. NO TRATE DE APAGAR EL FUEGO CON AGUA ni con trapos o toallas de cocina mojados, pues ocasionará una explosión violenta de vapor.
4. Use un extintor SÓLO si:
 - A. El extintor es de Clase ABC y usted sabe cómo hacerlo funcionar.
 - B. El incendio es pequeño y está confinado al área en la que se inició.
 - C. Se está llamando al Departamento de Bomberos.
 - D. Puede combatir el incendio teniendo la espalda orientada hacia una salida.

*Basado en "Kitchen Fire Safety Tips" (Sugerencias para la seguridad contra incendios en la cocina) publicado por NFPA.

PRECAUCIÓN

1. Sólo debe usarse bajo techo.
2. Para reducir el riesgo de incendio y para descargar adecuadamente el aire, asegúrese de dirigir el aire hacia el exterior. No descargue el aire en espacios contenidos entre paredes o cielos rasos, ni en áticos, sótanos bajos ni en la cochera.
3. Tenga cuidado cuando use agentes de limpieza o detergentes.
4. Evite usar bajo la campana de la estufa productos alimenticios que produzcan llamas.
5. Sólo para usarse como medio de ventilación general. No debe usarse para la extracción de materiales o vapores peligrosos o explosivos.
6. Para evitar daños a los cojinetes del motor y rotores ruidosos o desbalanceados, mantenga la unidad de potencia protegida contra rociados de yeso, polvos de construcción, etc.
7. Este motor de campana tiene una protección contra sobrecargas térmicas que automáticamente apagará el motor en caso de sobrecalentamiento. El motor reanudará su funcionamiento cuando se enfríe. Si el motor continúa apagándose y encendiéndose, solicite servicio para la campana.
8. Para capturar mejor las impurezas producidas al cocinar, la parte inferior de la campana debe estar a una altura mínima de 48 pulg. (120 cm) y máxima de 72 pulg. (180 cm) sobre la superficie de cocinado.
9. Se recomienda que dos personas hagan la instalación debido al gran tamaño y peso de esta campana.
10. La fuente de luz está diseñada para esta aplicación específica, y se puede sobrecalentar si recibe servicio de personal no capacitado. Si se requiere algún servicio, se debe enviar el producto a un centro de servicio autorizado para que lo examinen o reparen.
11. Lea la etiqueta de especificaciones que tiene el producto para ver información y requisitos adicionales.
12. Para reducir el riesgo de incendio y descargas eléctricas, instale esta campana solamente con los modelos de ventilador exterior Best EB6, EB9, EB12, EB15 o los modelos de ventilador en línea Best ILB3, ILB6, ILB9 o ILB11. No se pueden utilizar otros ventiladores. (Los ventiladores se venden por separado).
13. Este grupo de alimentación está equipado con un receptor de RF (control remoto opcional se vende por separado). Los cambios o modificaciones no aprobadas expresamente por la parte responsable del cumplimiento podrían anular la autoridad del usuario para operar el equipo. Este control remoto ha sido probado y cumple con los límites establecidos para un dispositivo digital de clase B, acorde a la parte 15 del Reglamento de la FCC e ICES-003 canadiense. Estos límites están diseñados para proporcionar una protección razonable contra interferencias perjudiciales en una instalación residencial. Este control remoto genera, utiliza y puede irradiar energía de radiofrecuencia y, si no se instala y utiliza de acuerdo con las instrucciones, puede causar interferencias perjudiciales a las comunicaciones por radio. Sin embargo, no hay garantía de que no se produzcan interferencias en una instalación particular. Si este equipo causa interferencias perjudiciales para la recepción de radio o televisión, lo cual puede determinarse apagando y encendiendo el equipo, se recomienda al usuario que intente corregir la interferencia por una o varias de las siguientes medidas:
 - Reoriente o cambie la localización de la antena receptora
 - Aumentar la distancia entre el equipo y el receptor
 - Conecte el equipo en un tomacorriente localizado en un circuito diferente al que está conectado el receptor

FUNCIONAMIENTO

Controles (Fig. 1)

La campana se opera mediante los 5 botones pulsadores que se encuentran en la campana y en el control remoto.

LED de colores se muestran en el control de campana solamente.



(P1) Interruptor de apagado con retardo

- Su campana incluye un interruptor de apagado con retardo del ventilador de 10 minutos. Oprima una vez este interruptor para activar el temporizador, y el anillo de LED (L1) destella en azul. El ventilador seguirá funcionando 10 minutos. Después de 10 minutos, el ventilador se apaga automáticamente.
- Para cancelar el retardo de 10 minutos, oprima de nuevo el interruptor de retardo.

(P2) Interruptor de alarma del filtro

- Después de 30 horas de funcionamiento del ventilador, se activa la alarma del filtro y el anillo de LED (L1) enciende en color rojo/destella. Indica que es necesario limpiar los filtros antigrasa.
- Después de limpiar los filtros antigrasa, reinicie el contador de horas presionando el botón de reinicio de temporizador/alarma de filtro (P2) mientras se visualice la alarma.

(P3) Reducción de velocidad del ventilador e interruptor de apagado

- Oprima para reducir la velocidad del ventilador, de alta a baja. El anillo de LED (L1) destella en azul a una velocidad proporcional al ajuste del ventilador (por ejemplo: cuatro destellos es alta velocidad, un destello es baja velocidad, etc.)
- Continúe oprimiendo este interruptor para apagar el ventilador.

(P4) Incremento de velocidad del ventilador e interruptor de encendido

- Oprima este interruptor para encender el ventilador a baja velocidad.
- Oprima otra vez para aumentar la velocidad del ventilador, de baja a alta. El anillo de LED (L1) destella en azul a una velocidad proporcional al ajuste del ventilador (por ejemplo: cuatro destellos es alta velocidad, un destello es baja velocidad, etc.)

(P5) Interruptor de la luz

Enciende y apaga las luces.

Maestro de encendido y apagado


Situado detrás de uno de los filtros de la esquina, este interruptor debe estar en ON (indicado como "I") antes de la campana va a operar. Gire el interruptor de encendido (indicado como "O") para desconectar la alimentación de la campana.

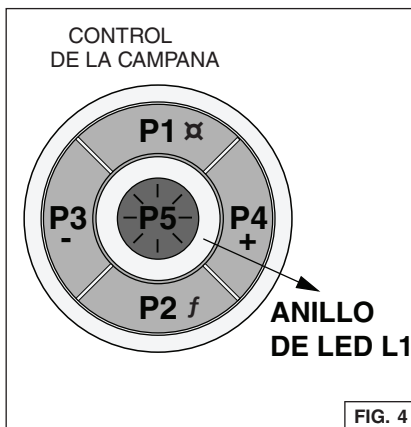
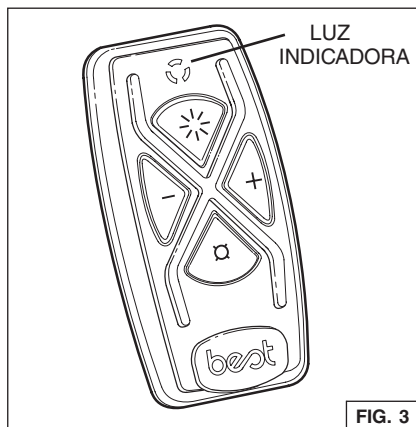
CONTROL REMOTO

El control remoto se enlaza a la campana en la fábrica.







Si por alguna razón se pierde el enlace, siga estas instrucciones:

Para enlazar el control remoto a la campana


1. Apague el motor y las luces de la campana.
2. Presione  en el control remoto por lo menos 3 segundos y suelte el botón. La luz indicadora se encenderá. (Fig. 3)
3. En 3 segundos, presione *f* (P2) en el control de la campana. (Fig. 4) El anillo de LED encenderá aproximadamente 10 segundos para confirmar que el proceso de enlace fue exitoso.



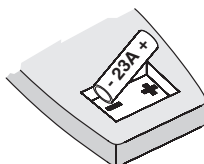
Funciones del control remoto (Fig. 3)

-  Retraso – Apagado
 -  Se reduce la velocidad del ventilador y se apaga
 -  Se aumenta la velocidad del ventilador y se enciende
 -  Luz
- Presione  (Retraso) and  (Luz)

en conjunto para restablecer la alarma de filtro.

IMPORTANTE: Manteniendo  (Retraso) durante más de 3 segundos hará que el vínculo entre el control remoto y el capó se pierda.

Si desea más información sobre cada función, vea la sección “Controles” en la página anterior.



Desecho de la pila

Cuando sea necesario cambiar las pilas, deséchelas únicamente en los recipientes especiales para desecho que encuentra fácil y en gran cantidad, en especial en tiendas que venden productos electrónicos de consumo. El cumplimiento de los reglamentos sobre recolección diferenciada de residuos y, en particular, la disposición adecuada de pilas usadas, contribuye a prevenir posibles efectos negativos sobre el medio ambiente y la salud.

LIMPIEZA Y MANTENIMIENTO

El mantenimiento correcto de la campana de la estufa asegurará el funcionamiento adecuado de la unidad.

Motor

El motor está permanentemente lubricado y nunca necesitará ponerle aceite. Si los cojinetes del motor están haciendo ruido excesivo o inusual, reemplace el motor con el motor de servicio exacto. También debe reemplazar el impulsor.

Filtros antigrasa

Los filtros antigrasa se deben limpiar con frecuencia con una solución tibia de detergente y agua. Los filtros antigrasa se pueden lavar en lavaplatos.

Limpie los filtros completamente metálicos en la lavaplatos con un detergente sin fosfatos. El filtro se puede decolorar si se utilizan detergentes con fosfato o como resultado de la condición del agua local, pero esto no afectará el desempeño del filtro. Esta decoloración no está cubierta por la garantía.

Consulte la sección "INSTALACIÓN DE LOS FILTROS" para ver las instrucciones de instalación y desmontaje.

Limpieza del acero inoxidable

COSAS QUE PUEDE HACER:

- Regularmente, lave con una tela o trapo limpio remojado con agua tibia y jabón o detergente líquido para platos.
- Siempre limpie en la dirección de las líneas originales de pulido.
- Siempre enjuague bien con agua limpia (2 o 3 veces) después de la limpieza. Deje totalmente seco.
- También puede usar un limpiador casero especializado para acero inoxidable.

COSAS QUE NO DEBE HACER:

- Usar lana de acero o acero inoxidable ni algún otro tipo de raspador para quitar mugre difícil de sacar.
- Usar limpiadores fuertes ni abrasivos.
- Dejar que se acumule la mugre.
- Dejar que el polvo forme plastas ni que quede en la campana algún otro residuo de la construcción. Durante la construcción o la renovación, cubra la campana para estar seguro de que el polvo no se pegue a la superficie de acero inoxidable.

Evite: Al elegir un detergente

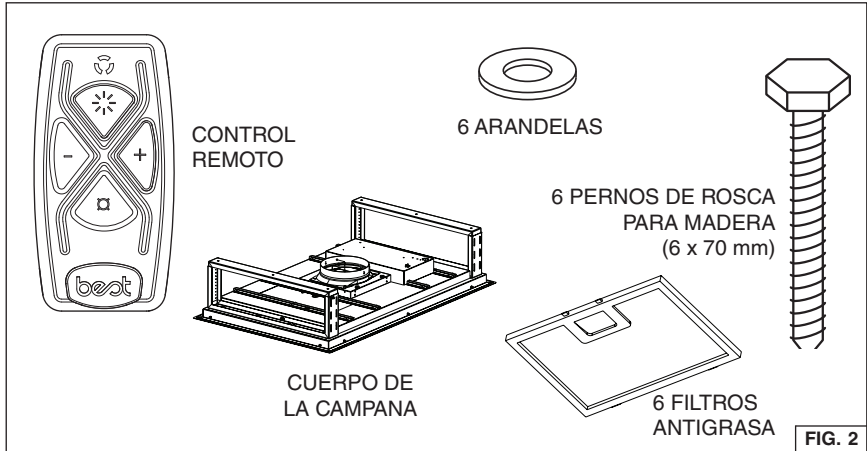
- Todo limpiador que contenga blanqueador, pues atacará al acero inoxidable.
- Todo producto que contenga: cloruro, fluoruro, yoduro, bromuro, pues deteriorará las superficies rápidamente.
- Todo producto combustible utilizado para la limpieza como acetona, alcohol, éter, bencol, etc., pues son altamente explosivos y nunca se deben usar cerca de una estufa.

PREPARE LA CAMPANA

Desempaque la campana y revise el contenido del paquete.

Debe contener lo siguiente:

- 1 - Cuerpo de la campana
- 1 - Control remoto
- 6 - Filtros antigrasa
- 6 - Pernos de rosca para madera, 6 x 70 mm
- 6 - Arandelas



SELECCIÓN DEL VENTILADOR EXTERIOR O EN LÍNEA

⚠ PRECAUCIÓN: Con esta campana puede usarse un ventilador exterior o un ventilador en línea. La campana modelo CC34ESB debe instalarse únicamente con los modelos de ventilador exterior Best EB6, EB12, o con los modelos de ventilador en línea Best ILB3, ILB6, o ILB9. No se pueden utilizar otros ventiladores. (Los ventiladores se venden por separado).

El ventilador debe estar aprobado por cULus para uso en Canadá y EE.UU. y evaluado para usarse con un control de velocidad de estado sólido con 120 V, 60 Hz y 3.0 A máx. nominales.

INSTALACIÓN DEL SISTEMA DE CONDUCTOS



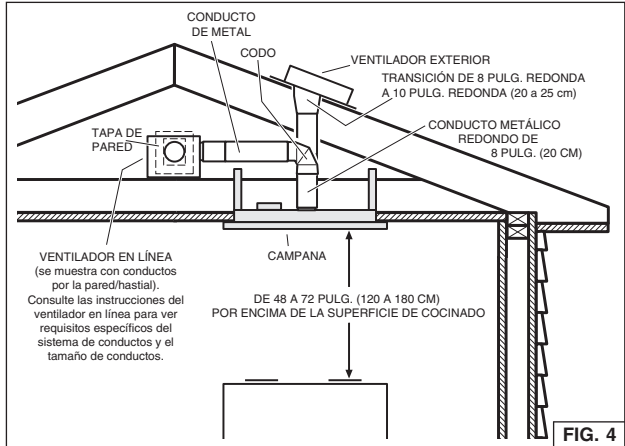
ADVERTENCIA:
Para reducir el riesgo de incendio, use solamente conductos metálicos.

1. Elija la ubicación de la campana, el ventilador exterior o en línea y cualquier tapa de techo o pared, y decida dónde colocará los conductos. Vea sugerencias en la Fig. 4 y en las instrucciones del ventilador exterior o en línea.

2. Un conducto recto y corto permitirá que la campana funcione más eficientemente. Los tramos largos de conductos, codos y transiciones reducirán el rendimiento de la campana. Use tan pocos de ellos como sea posible. Es posible que se requieran conductos más grandes para un mejor funcionamiento con tramos más largos de conductos.

3. Instale un ventilador exterior o en línea.

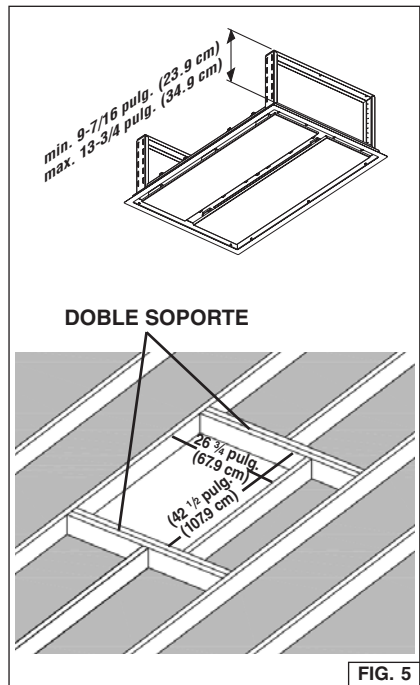
4. Conecte el conducto metálico al ventilador exterior o en línea y trabaje hacia atrás, hacia la ubicación de la campana. Tal vez necesite codos y transiciones. Vea más información en las instrucciones del ventilador exterior o en línea. Use cinta para conductos para sellar las uniones entre las secciones de conductos.



PREPARE LA ABERTURA DEL TECHO

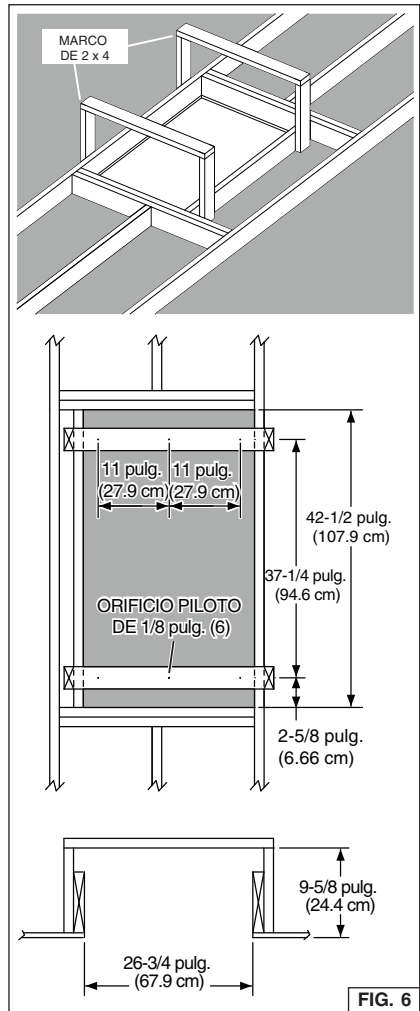
La campana siempre debe centrarse arriba de la estufa. Asegúrese de tener el espacio adecuado en la estructura del techo para instalar la campana y los conductos. La campana debe montarse de 48 a 72 pulg. (120 a 180 cm) por arriba de la estufa para extraer mejor las impurezas al cocinar. Fig. 4.

Utilice madera del tamaño de las vigas para crear un marco alrededor de la abertura de la campana. La estructura del techo también debe soportar el peso de la campana (58 libras - 29 kg). Fig. 5.



PREPARE EL SOPORTE DE LA CAMPANA

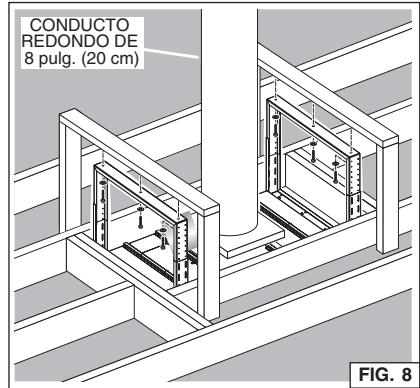
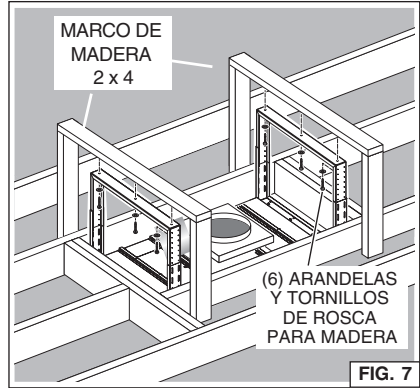
1. Construya un sistema de marco de madera, como se muestra en la Fig. 6.
2. La estructura debe ser capaz de soportar su propio peso, más el peso de la campana (58 libras - 29 kg).



INSTALE LA CAMPANA

⚠ PRECAUCIÓN: Se recomienda que por lo menos dos personas hagan la instalación debido al gran tamaño y peso de esta campana.

1. Levante la campana a la abertura del techo.
2. Asegure cada marco de soporte al marco de soporte de madera de la campana con los (6) pernos de rosca para madera de 6 x 70 mm y las arandelas suministrados. Fig. 7.
3. Ajuste la altura del marco de soporte telescópico para asegurar un ajuste firme entre la campana y el techo terminado.
4. En el anillo de descarga del ventilador, conecte los conductos que extraen el aire hacia la descarga exterior. Fig. 8.
5. Una todas las juntas con cinta para conductos para garantizar un sello hermético.



CONECTE EL CABLEADO



ADVERTENCIA: Una o más personas calificadas deben realizar el trabajo de cableado eléctrico, de acuerdo con todos los códigos y las normas correspondientes. Esta campana debe estar adecuadamente conectada a tierra.

No encienda el ventilador en el panel de servicio hasta haber conectado todos los cables.

1. Desde el interior de la habitación, estire hacia abajo los dos paneles de cierre. Fig. 9.
2. Quite (4) tornillos del panel de acceso al compartimiento eléctrico. Deslice el panel hacia un lado para exponer la caja de cableado eléctrico.

CONEXIÓN DEL VENTILADOR EN LA CAMPANA

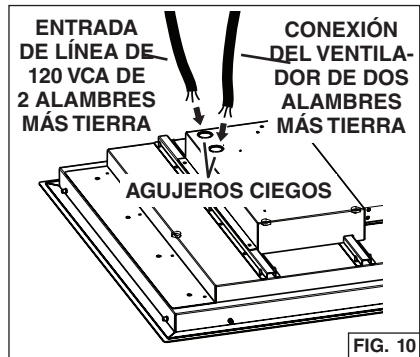
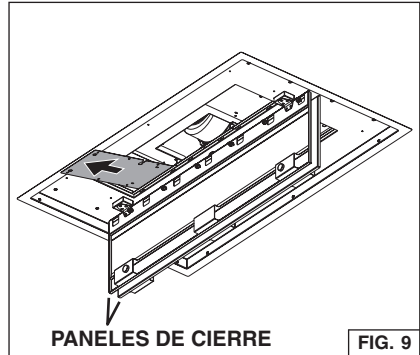
1. Coloque un cable eléctrico de 2 alambres más tierra hasta el agujero ciego de 3/4 pulg. que se encuentra en la parte posterior de la campana. Fig. 10.
2. Retire el agujero ciego eléctrico de 3/4 pulg. de la parte posterior de la campana.
3. Desde la caja eléctrica marcada como "CONEXIÓN DEL MOTOR" quite (2) tornillos que aseguran la cubierta a la caja de cableado metálica. Fig. 11.
4. Estire 6 pulg. (15 cm) de cable hacia la caja y asegúrelo con una abrazadera para cable adecuada.
5. Haga las conexiones eléctricas dentro de la caja "CONEXIÓN DEL MOTOR". Conecte rojo con blanco, negro con negro y verde con tierra.
6. Vuelva a colocar la cubierta de la caja de conexiones y los tornillos. Asegúrese de que los cables no queden atrapados entre la cubierta y la caja.

CONEXIONES EN EL VENTILADOR EXTERIOR O EN LÍNEA

1. Haga las conexiones eléctricas en el ventilador exterior o en línea (vea las instrucciones del ventilador).

CONEXIÓN DEL VENTILADOR EN LA CAMPANA

1. Coloque un cable eléctrico de 120 VCA, de 2 alambres más tierra hasta el agujero ciego de 3/4 pulg. que se encuentra en la parte posterior de la campana. Fig. 10.
2. Retire el agujero ciego eléctrico de 3/4 pulg. de la parte posterior de la campana.
3. Desde la caja eléctrica marcada como "ENTRADA DE 120 VCA" quite (2) tornillos que aseguran la cubierta a la caja de cableado metálica. Fig. 11.
4. Estire 6 pulg. (15 cm) de cable hacia la caja y asegúrelo con una abrazadera para cable adecuada.
5. Haga las conexiones eléctricas dentro de la caja "Entrada de 120 VCA". Conecte blanco con blanco, negro con negro y verde con tierra.
6. Vuelva a colocar la cubierta de la caja de conexiones y los tornillos. Asegúrese de que los cables no queden atrapados entre la cubierta y la caja.
7. Reemplace el panel de acceso a los compartimientos eléctricos y (4) tornillos.



INSTALE LOS FILTROS

1. Estire hacia abajo ambos paneles de cierre, como se muestra.
2. Para instalar los filtros antigrasa, alinee las aletas posteriores del filtro con las ranuras de la campana. Empuje hacia adentro la lengüeta del cierre, presione el filtro en su posición y suelte. Asegúrese de que el filtro esté firmemente enganchado después de su instalación. Fig. 12.
3. Para quitar los filtros para limpiarlos, presione hacia adentro la lengüeta del cierre para desprender el filtro de la campana. Incline el filtro hacia abajo y quítelo. Fig. 13.

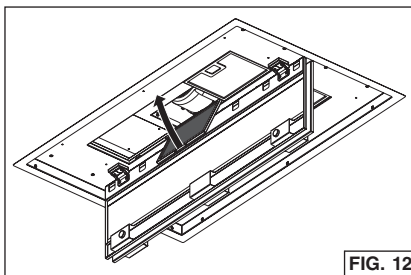


FIG. 12

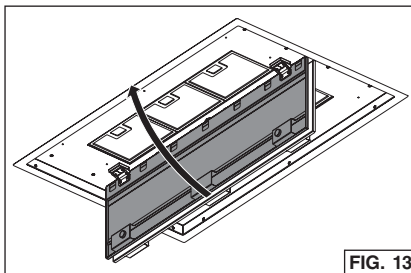


FIG. 13

PROCEDIMIENTO DEL MODO DE PROGRAMACIÓN

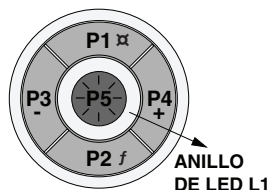
La campana está diseñada para funcionar con diversos modelos diferentes de ventilador. Antes de usarlo, primero se debe programar el control según el modelo del ventilador, para obtener las velocidades adecuadas de funcionamiento.

Del cuadro siguiente:

1. Encuentre el número de CONFIGURACIÓN que corresponde al modelo de ventilador instalado con su campana.
2. El control está programado en fábrica en CONFIGURACIÓN 3. Si el modelo de su ventilador está en la columna de CONFIGURACIÓN 3, no necesita programación. La campana está ahora lista para usar.

	CONFIGURACIÓN 1	CONFIGURACIÓN 2	CONFIGURACIÓN 3 (fábrica)
NÚMERO DE MODELO DE VENTILADOR	EB6 ILB3 ILB6	EB12 ILB9 EB15	EB9 ILB11

3. Para modelos de ventilador en las columnas de CONFIGURACIÓN 1 o 2, siga esta secuencia de programa:
 - A - La electricidad en la caja de servicio debe estar ACTIVADA mientras programa. El ventilador y las luces deben estar apagados.
 - B. Presione P2 durante 3 segundos. El anillo de LED L1 destellará a 3 velocidades diferentes: velocidad de destello lenta = CONFIGURACIÓN 1; velocidad de destello media = CONFIGURACIÓN 2; velocidad de destello más rápida = CONFIGURACIÓN 3 (valor predeterminado de fábrica).
 - C. Para seleccionar la CONFIGURACIÓN adecuada, presione P3 (-) o P4 (+) para cambiar a CONFIGURACIÓN 1, 2 o 3.
 - D. Una vez que encuentre la configuración adecuada, presione P2 (f) para memorizar el ajuste.
 - E. La campana está ahora lista para usar.



GARANTÍA

UN AÑO DE GARANTÍA LIMITADA PARA LOS PRODUCTOS BEST

Broan-NuTone LLC (Broan-NuTone) garantiza al consumidor comprador original de sus productos Best que tales productos estarán libres de defectos en materiales o mano de obra durante un período de un año a partir de la fecha de la compra original. NO EXISTEN OTRAS GARANTÍAS, EXPRESAS NI IMPLÍCITAS, INCLUIDAS, ENTRE OTRAS, GARANTÍAS IMPLÍCITAS DE COMERCIALIZACIÓN O IDONEIDAD PARA UN PROPÓSITO PARTICULAR.

Durante este período de un año, Broan-NuTone, a su criterio, reparará o reemplazará sin cargo alguno cualquier pieza o producto que se encuentre defectuoso bajo condiciones normales de uso y servicio.

LA PRESENTE GARANTÍA NO CUBRE TUBOS O ARRANCADORES DE LÁMPARAS FLUORESCENTES, BOMBILLAS HALÓGENAS E INCANDESCENTES, FUSIBLES, FILTROS, CONDUCTOS, TAPAS DE TECHO O DE PARED Y DEMÁS ACCESORIOS DE CANALIZACIÓN. Esta garantía no cubre (a) mantenimiento y servicio normales, ni (b) ningún producto o piezas que se hayan sometido a uso inadecuado, negligencia, accidente, mantenimiento o reparación inadecuada (no hecha por Broan-NuTone), instalación incorrecta o instalación en contra de las instrucciones de instalación recomendadas.

La duración de cualquier garantía implícita se limita a un período de un año, como se especifica en la garantía expresa. Algunos estados no permiten limitaciones en cuanto al tiempo de vencimiento de una garantía implícita, por lo que la limitación antes mencionada podría no aplicarse a usted.

LA OBLIGACIÓN DE BROAN-NUTONE DE REPARAR O REEMPLAZAR, A CRITERIO DE BROAN-NUTONE, SERÁ EL ÚNICO Y EXCLUSIVO RECURSO DEL COMPRADOR BAJO ESTA GARANTÍA. BROAN-NUTONE NO SERÁ RESPONSABLE POR DAÑOS INCIDENTALES, RESULTANTES O ESPECIALES QUE SURJAN DEL USO O DESEMPEÑO DEL PRODUCTO O EN RELACIÓN CON EL MISMO. Algunos estados no permiten la exclusión o limitación de daños incidentales o resultantes, por lo que la limitación antes mencionada podría no aplicarse a usted. Esta garantía le otorga derechos legales específicos, y usted podría tener otros derechos que varían de un estado a otro. Esta garantía sustituye todas las garantías anteriores.

Para tener derecho al servicio de la garantía, usted debe (a) notificar a Broan-NuTone a la dirección o número de teléfono que aparecen abajo, (b) proporcionar el número de modelo y la identificación de la pieza y (c) describir la naturaleza de cualquier defecto en el producto o pieza. En el momento de solicitar el servicio cubierto por la garantía, debe presentar un comprobante de la fecha original de compra.

En EE.UU. - Best®, 926 W. State Street, Hartford, WI 53027 (800-558-1711)

En Canadá - Best®, 550 Lemire Blvd., Drummondville, QC J2C 7W9 (866-737-7770)

www.BestRangeHoods.com

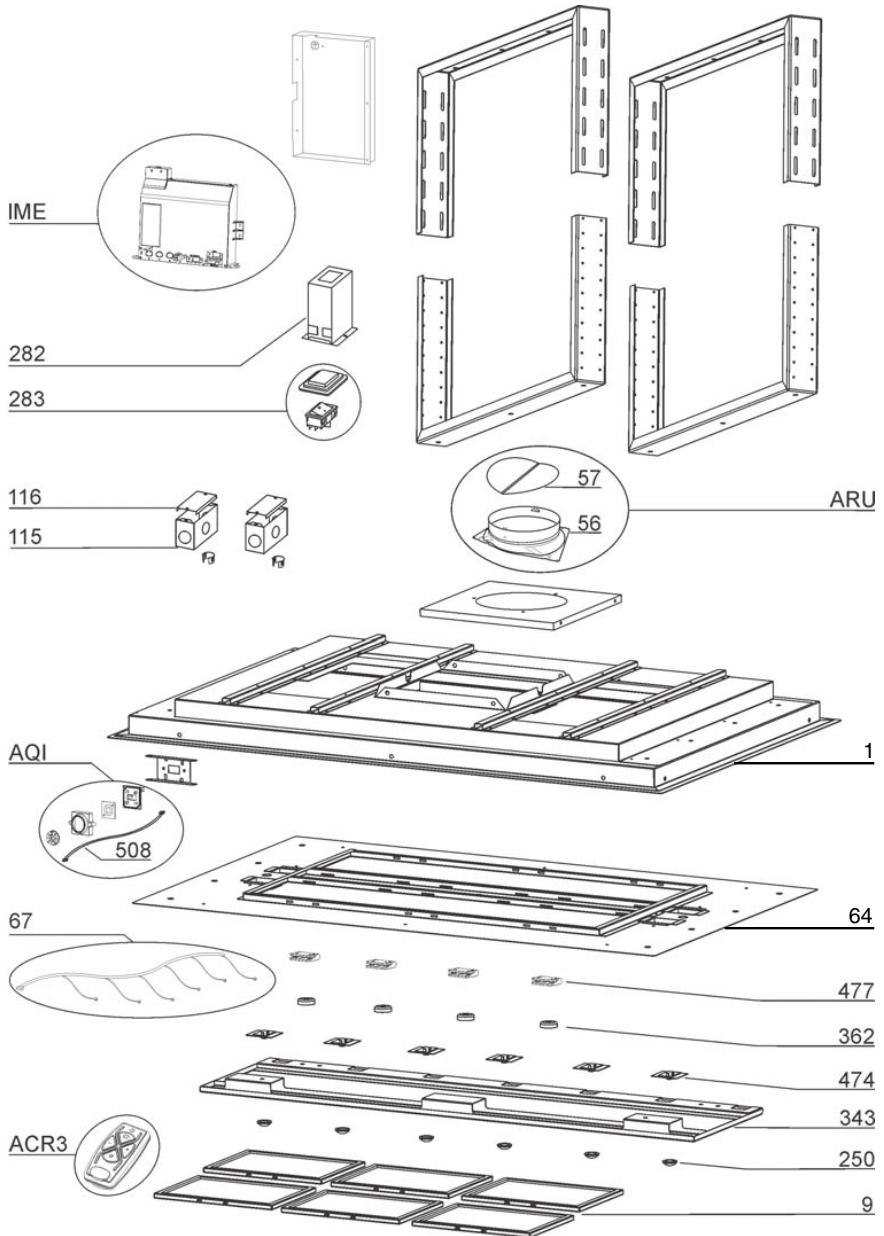
PIEZAS DE SERVICIO

Modelo CC34E6SB

CLAVE N.º	PIEZA N.º	DESCRIPCIÓN
1	B003102866	MARCO
9	B08087804	FILTRO ANTIGRASA
56	B08092517	CONEXIÓN DE SALIDA DE AIRE
57	B02011341	ALETA DEL REGULADOR DE TIRO
64	B03115251	SOPORTE INFERIOR
67	B004203477	ALAMBRES
115	BE3350233	CAJA DE CONEXIÓN DEL CABLE DE ALIMENTACIÓN
116	BE3334252	CUBIERTA DE LA CAJA DE CONEXIÓN DEL CABLE DE ALIMENTACIÓN
250	B02011389	TUERCA ANULAR
282	BE3405320	SOPORTE DEL INTERRUPTOR PRINCIPAL
283	B02300907	INTERRUPTOR PRINCIPAL
343	B08093078	PANEL DE CIERRE
362	B080811027	IMÁN DE PANEL CON TORNILLOS
474	B02300431	LÁMPARA DE HALÓGENO
477	B02011376	CIERRE
508	B02301035	CABLE DE COMANDOS
998	B080810962	JUEGO DE UNIONES
999	B080813692	JUEGO DE INSTRUCCIONES PARA INSTALACIÓN
IME	B06145262	CONJUNTO DE INSTALACIÓN ELÉCTRICA
AQI	B06102644	CONJUNTO DE LA CAJA DE INTERRUPTORES
ARU	B08092501	CONEXIÓN DE SALIDA DE AIRE (INCLUYE LAS CLAVES56, 57)
ACR3	B08999186	CONTROL REMOTO

PIEZAS DE SERVICIO

Modelo CC34E6SB



99044973C

04308437/3