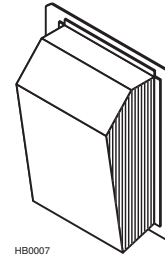


MODEL EB12 EXTERNAL BLOWER



HB0007

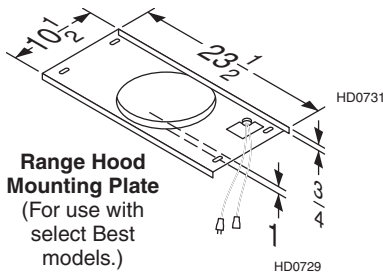
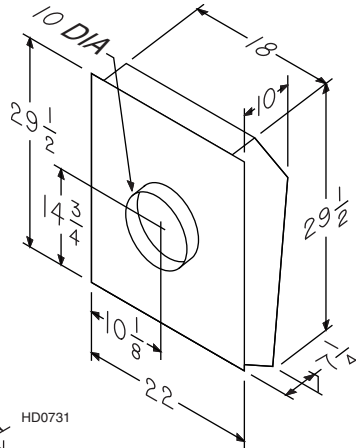
Use this high-powered ventilator to quietly and efficiently exhaust airborne contaminants from cooking and living space.

FEATURES:

- Brushed aluminum construction
- Built-in flashing plate for roof or wall mount
- Built-in backdraft damper and birdscreen
- Easily removable cover provides quick access to blower for cleaning and servicing
- For 10" round duct
- Thermally protected, permanently lubricated, ball-bearing motor
- Speed control compatible motor
- Dynamically balanced 14" diameter backward-curved impeller
- Low RPM - quiet operation
- For use with Best hoods and downdrafts designed to use external blowers

SPECIFICATIONS

VOLTS	120
AMPS	3.0
CFM	1200
DUCT	10" Round



Range Hood Mounting Plate
(For use with select Best models.)

HD0729



HVI-2100 CERTIFIED RATINGS comply with new testing technologies and procedures prescribed by the Home Ventilating Institute, for off-the-shelf products, as they are available to consumers. Product performance is rated at 0.1 in. static pressure, based on tests conducted in a state-of-the-art test laboratory. Sones are a measure of humanly-perceived loudness, based on laboratory measurements.

TYPICAL SPECIFICATION

Ventilator shall be a Best Model EB12.

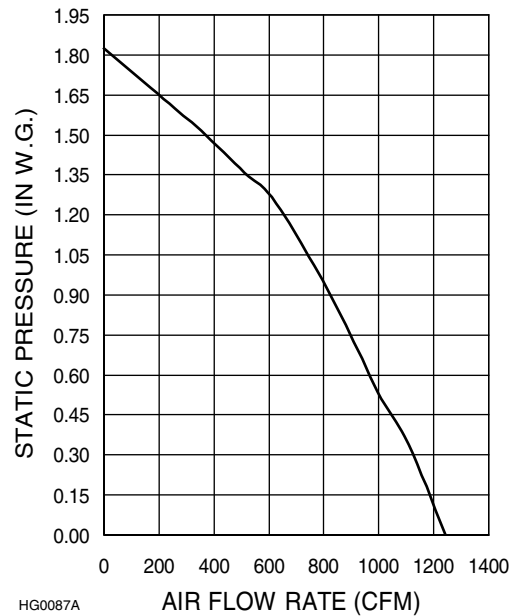
Ventilator shall be roof (exterior wall) mountable with a 10" round duct connector.

Ventilator shall be of aluminum construction.

Ventilator shall include an automatic backdraft damper.

Air delivery shall be no less than 1200 CFM, as certified by HVI.

Note: To achieve reduced sound levels at the range hood, the external blower should be installed at least 10 feet away from the hood location and include one 90° elbow in the duct run between the hood and blower.



HG0087A

NOTE: DIMENSIONS SHOWN ARE IN INCHES

BEST Drummondville, QC Canada www.BestRangeHoods.ca 866-737-7770

REFERENCE	QTY.	REMARKS	Project
			Location
			Architect
			Engineer
			Contractor
			Submitted by Date