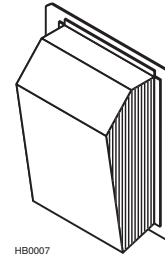


# MODEL EB15 EXTERNAL BLOWER



HB0007

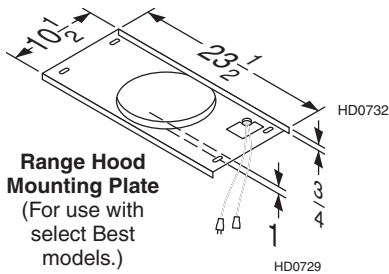
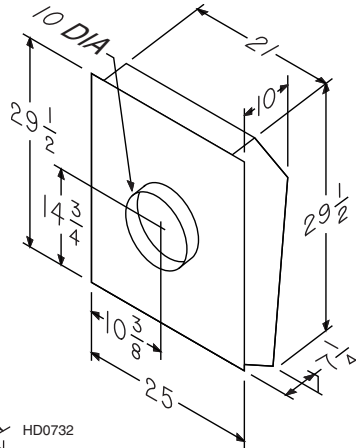
Use this high-powered ventilator to quietly and efficiently exhaust airborne contaminants from cooking and living space.

### FEATURES:

- Brushed aluminum construction
- Built-in flashing plate for roof or wall mount
- Built-in backdraft damper and birdscreen
- Easily removable cover provides quick access to blower for cleaning and servicing
- For 10" round duct
- Thermally protected, permanently lubricated, ball-bearing motor
- Speed control compatible motor
- Dynamically balanced 14 3/8" diameter backward-curved impeller
- Low RPM - quiet operation
- For use with Best hoods and downdrafts designed to use external blowers

### SPECIFICATIONS

<b>VOLTS</b>	120
<b>AMPS</b>	4.3
<b>CFM</b>	1500
<b>DUCT</b>	10" Round



HVI-2100 CERTIFIED RATINGS comply with new testing technologies and procedures prescribed by the Home Ventilating Institute, for off-the-shelf products, as they are available to consumers. Product performance is rated at 0.1 in. static pressure, based on tests conducted in a state-of-the-art test laboratory. Sones are a measure of humanly-perceived loudness, based on laboratory measurements.

### TYPICAL SPECIFICATION

Ventilator shall be a Best Model EB15.

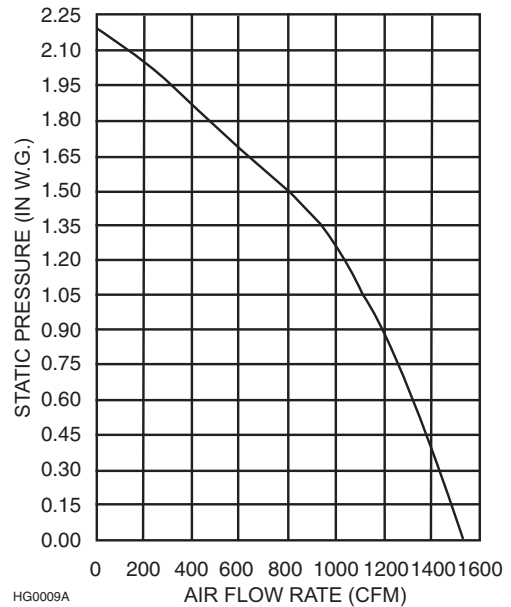
Ventilator shall be roof (exterior wall) mountable with a 10" round duct connector.

Ventilator shall be of aluminum construction.

Ventilator shall include an automatic backdraft damper.

Air delivery shall be no less than 1500 CFM, as certified by HVI.

Note: To achieve reduced sound levels at the range hood, the external blower should be installed at least 10 feet away from the hood location and include one 90° elbow in the duct run between the hood and blower.



NOTE: DIMENSIONS SHOWN ARE IN INCHES

BEST Drummondville, QC Canada www.BestRangeHoods.ca 866-737-7770

REFERENCE	QTY.	REMARKS	Project
			Location
			Architect
			Engineer
			Contractor
			Submitted by <span style="float: right;">Date</span>