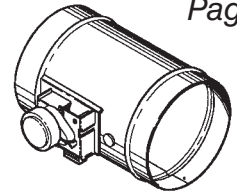


AUTOMATIC MAKE-UP AIR DAMPER WITH TRANSFORMER AND

LinkLogic® RELAY



To register this product
visit: www.broan.com

READ AND SAVE THESE INSTRUCTIONS

! FOR RESIDENTIAL USE ONLY !

WARNING



TO REDUCE THE RISK OF FIRE, ELECTRIC SHOCK, OR INJURY TO PERSONS, OBSERVE THE FOLLOWING:

1. Installation work and electrical wiring must be done by a qualified person(s) in accordance with all applicable codes and standards, including fire-rated construction codes and standards.
2. Do not use the unit in conjunction with any exhaust device other than compatible BEST or Broan range hoods.
3. This unit is not designed to provide combustion air for fuel-burning appliances.
4. Do not connect the unit directly to a combustion appliance of any type.
5. Sufficient air is needed for proper combustion and exhausting of gases through the flue (chimney) of fuel burning equipment to prevent backdrafting. Follow the heating equipment manufacturer's guideline and safety standards such as those published by the National Fire Protection Association (NFPA), and the American Society for Heating, Refrigeration and Air Conditioning Engineers (ASHRAE), and the local code authorities.
6. Before servicing or cleaning unit, switch power off at service panel and lock the service disconnecting means to prevent power from being switched on accidentally. When the service disconnecting means cannot be locked, securely fasten a prominent warning device, such as a tag, to the service panel.
7. When performing installation, servicing or cleaning the unit, it is recommended to wear safety glasses and gloves.
8. During extreme weather events including snow storms, ensure that the intake area for the outside air duct is not blocked and able to provide a clear pathway for outside air to enter the system.
9. When cutting or drilling into wall or ceiling, do not damage electrical wiring or other hidden utilities.
10. When notching or drilling into framing including floor supports, rim joists, and wall studs, comply with code and manufacturer limitations on allowable modifications to these structural members.
11. This unit is intended to be installed within the home in a location protected from moisture.
12. This unit must be in an accessible location which allows for inspection of the unit.
13. Use this unit only in the manner intended by the manufacturer. If you have questions, contact the manufacturer at the address or telephone number listed in this document.
14. When federal, provincial or state legislation comprises more restrictive installation and/or certification requirements, the aforementioned requirements prevail on those of this document and the installer agrees to conform to these at his own expense.

CAUTION



1. Do not locate outside air inlet near hazardous materials or explosives.
2. Unit shall not be installed to introduce air from crawlspaces, garages, attics, adjacent dwelling units, or other locations within the building shell. Unit shall be installed to introduce air directly from outdoors.
3. Do not run the outside air duct directly above or closer than 2 ft to any furnace or its supply plenum, boiler, or other heat producing appliance.
4. Any ductwork used in conjunction with the Damper must be installed in compliance with all local and national codes that are applicable.
5. Do not operate the Damper for fresh air introduction until all system filters, including the central duct system filter, have been installed per the system design.
6. Please read the unit specification label on the product for further information and requirements.
7. The Damper's outdoor air intake, ducting, and any filters should be inspected and maintained on a regular basis.
8. Insulate the duct and damper to prevent build-up of condensation in cold weather climates. Vapor barriers on both sides of insulation are recommended.

WARRANTY

BROAN-NUTONE ONE YEAR LIMITED WARRANTY

Broan-NuTone warrants to the original consumer purchaser of its products that such products will be free from defects in materials or workmanship for a period of one year from the date of original purchase. THERE ARE NO OTHER WARRANTIES, EXPRESS OR IMPLIED, INCLUDING, BUT NOT LIMITED TO, IMPLIED WARRANTIES OF MERCHANTABILITY OR FITNESS FOR A PARTICULAR PURPOSE.

During this one-year period, Broan-NuTone will, at its option, repair or replace, without charge, any product or part which is found to be defective under normal use and service.

THIS WARRANTY DOES NOT EXTEND TO FLUORESCENT LAMP STARTERS AND TUBES. This warranty does not cover (a) normal maintenance and service or (b) any products or parts which have been subject to misuse, negligence, accident, improper maintenance or repair (other than by Broan-NuTone), faulty installation or installation contrary to recommended installation instructions. The duration of an implied warranty is limited to the one-year period as specified for the express warranty. Some states do not allow limitation on how long an implied warranty lasts, so the above limitation may not apply to you.

BROAN-NUTONE'S OBLIGATION TO REPAIR OR REPLACE, AT BROAN-NUTONE'S OPTION, SHALL BE THE PURCHASER'S SOLE AND EXCLUSIVE REMEDY UNDER THIS WARRANTY. BROAN-NUTONE SHALL NOT BE LIABLE FOR INCIDENTAL, CONSEQUENTIAL OR SPECIAL DAMAGES ARISING OUT OF OR IN CONNECTION WITH PRODUCT USE OR PERFORMANCE. Some states do not allow the exclusion or limitation of incidental or consequential damages, so the above limitation may not apply to you.

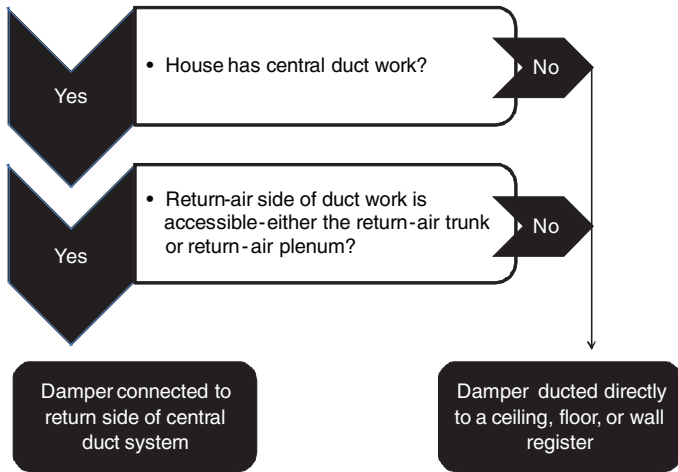
This warranty gives you specific legal rights, and you may also have other rights, which vary from state to state. This warranty supersedes all prior warranties.

To qualify for warranty service, you must (a) notify Broan-NuTone at the address or telephone number below, (b) give the model number and part identification and (c) describe the nature of any defect in the product or part. At the time of requesting warranty service, you must present evidence of the original purchase date.

Broan-NuTone LLC Hartford, Wisconsin www.broan.com 800-558-1711

PLAN THE INSTALLATION

Planning the installation first requires selecting the most appropriate installation approach. The chart below offers suggestions for the most effective installation approach by considering a few important factors. Further details on the two main types of installations are provided below.



- Outside air intake is placed high enough above grade to prevent blockage from snow or other debris such as leaves, and at a minimum of 1' above grade.
- Make-up air damper should not draw air from crawlspaces, garages, attics, adjacent dwelling units, or any enclosed part of the building. The Damper should be installed to draw air directly from outdoors.

OUTSIDE AIR INTAKE OPENING PROTECTION

Because the Damper, together with the end cap and outside air duct which are installed with it, will allow outdoor air into the indoor environment, it is important to meet the following requirements:

- Model 641FA (6") and 643FA (8") fresh air inlet wall caps include protective bird screens to keep out animals and outside debris. Clean screens often and do not remove.
- If a protective bird screen other than the screen provided is used, it must cover the entire opening of the outside air duct. This screen must also have openings of at least 1/4" but no larger than 1/2".
- The outdoor air intake opening should meet local code provisions for the protection of openings in exterior walls, including steps to prevent moisture intrusion around the opening.

Note that the screen over the outside air opening is not a filter. It is intended to prevent the intake of leaves, animals, or debris into the outside air duct. A downstream filter is necessary to remove pollen, dust, and other airborne particles. Potential filter locations are shown below in the Typical Installations section.

OUTSIDE AIR INTAKE LOCATION

Proper design and location of the outside air intake location is critical in ensuring that the Damper can safely and reliably provide an opening for fresh air to enter the home. The following requirements for the location of the outside air intake must be met:

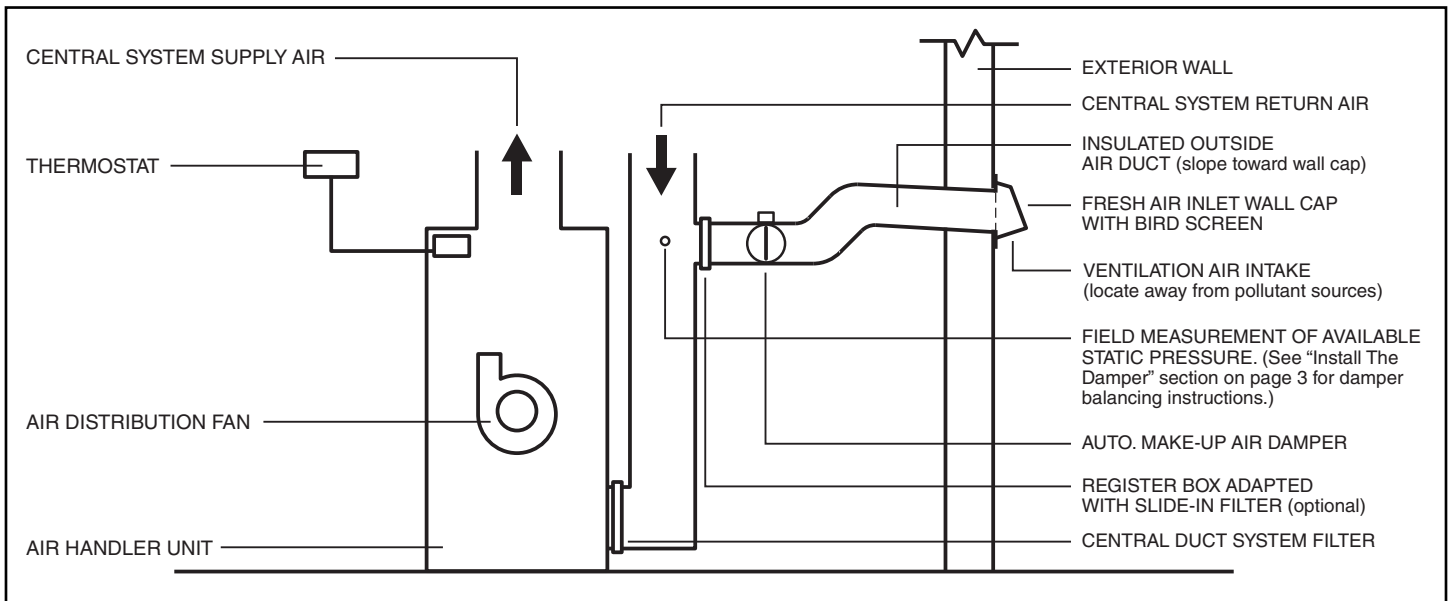
- Outside air intake is located a minimum of 10' from combustion appliance vents, chimneys, plumbing stacks, and bathroom or kitchen exhaust vents. If local codes have more stringent separation requirements, they shall apply.

MINIMUM RETURN AIR TEMPERATURE REQUIREMENTS

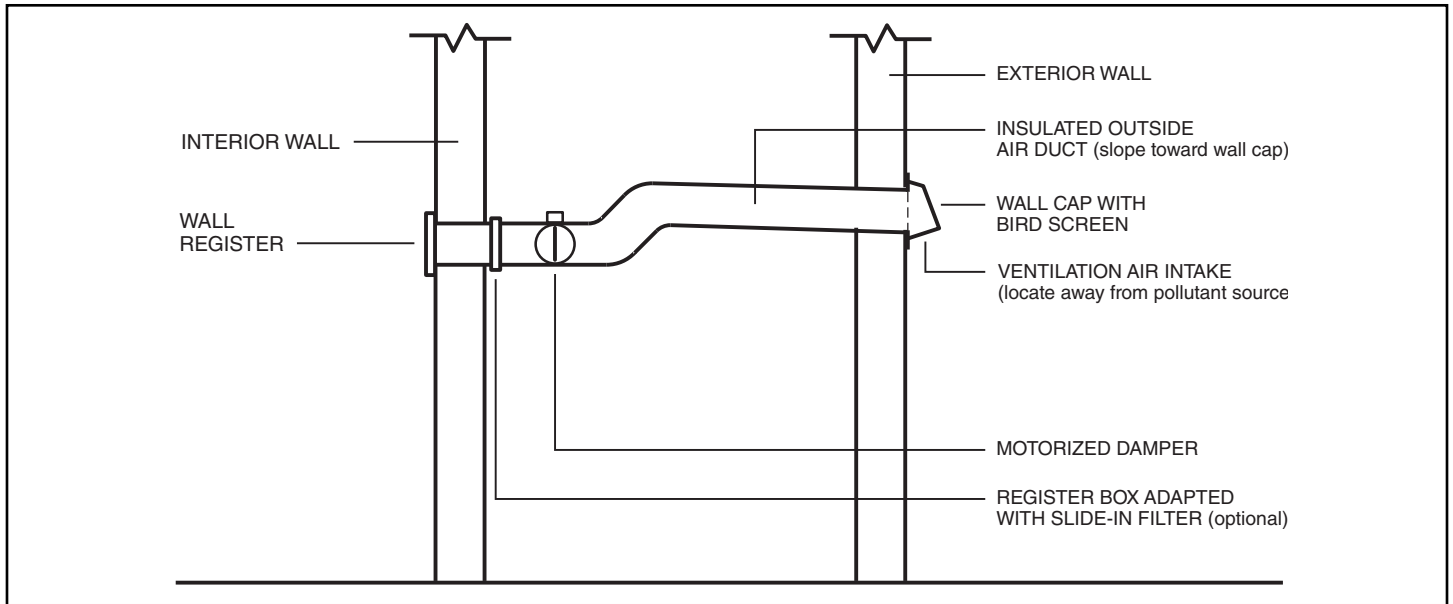
HVAC equipment manufacturers may have minimum requirements for the air temperature in the return air plenum. Introducing outdoor air to the return side of the central duct system may impact this temperature. The installer should adjust both the size of the outside air duct and the location of its connection to the return side of the central duct system in a manner so that minimum air temperature requirements are satisfied under design conditions.

TYPICAL INSTALLATIONS

Installations will vary according to the location in the home where the unit is installed and which model Damper is used. Use the following illustrations and notes as guidance for your own installation. Always comply with local code requirements and in any instance where a detail shown below conflicts with local code, the local code provision shall apply.

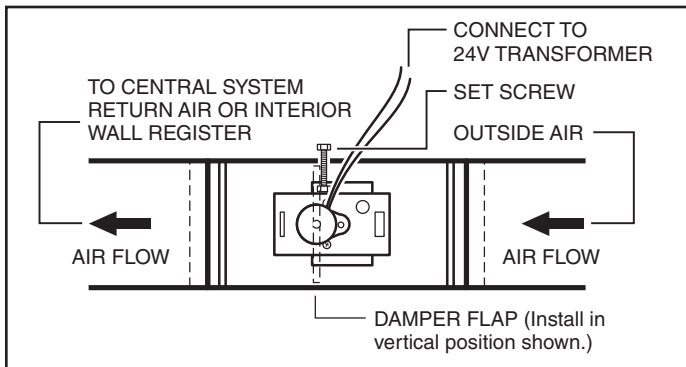


Damper connected to return side of central duct system.



Damper and outside air duct connected directly to a ceiling, floor, or wall register.

INSTALL THE DAMPER

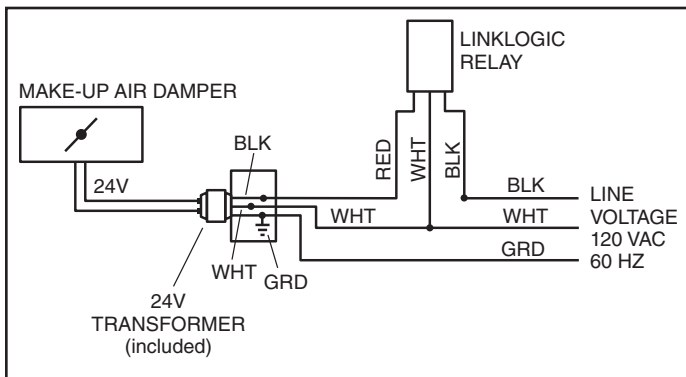


Install the Damper as shown. Make sure damper flap is in a vertical position. The set screw can be used to adjust the damper opening - thereby balancing the inside and outside air pressure when the range hood exhausts at high speed.

LINKLOGIC® TECHNOLOGY

The LinkLogic® technology was specially designed for select Broan and BEST ventilation devices to provide control and device status information over existing power lines in the home. Extra control wires are not required since compatible ventilation devices send digital communication messages to each over the same wire that they receive their power, creating a “mesh network”.

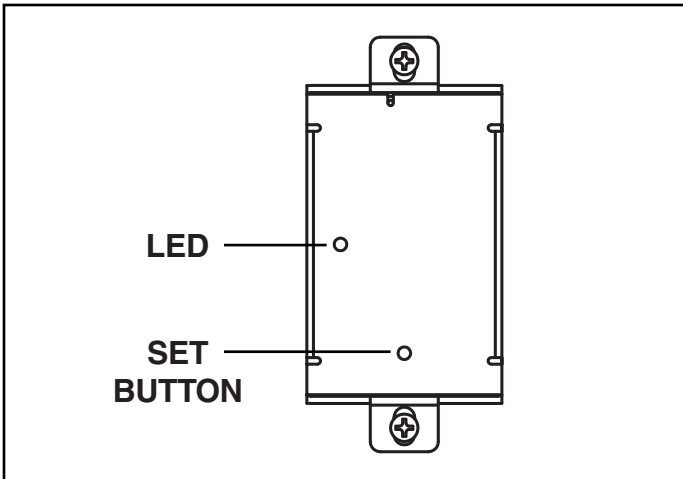
LinkLogic® devices communicate via the power line. A phase coupler is required if LinkLogic® damper control and master device (such as LinkLogic® enabled range hood or SmartSense® control) are wired to opposite electrical phases. The “connected” ventilation devices work as a coordinated system to ensure the home is being ventilated at an optimum, energy efficient manner.



Wire the system as shown.

DAMPER LINKLOGIC® CONTROL LINK INSTRUCTIONS

1. LinkLogic® devices communicate via the power line. A phase coupler is required if LinkLogic® damper control and master device (such as LinkLogic® enabled range hood or SmartSense® control) are wired to opposite electrical phases.
2. Make sure power is applied to LinkLogic® damper control and master device.
3. Start master device link process per its installation instructions.



4. When instructed, using a small screwdriver or paperclip, press SET button for 3-seconds to activate damper control's link mode.
5. After exiting master device link mode, turn master device on and off and check damper control on and off accordingly.
After link is established, damper control will remain in its initial state until master device is turned on and off.
Damper control's LED is on when damper is open and off when damper is closed.
6. If LinkLogic® enabled range hood does not cause damper control to turn on and off, check that PLM (power-line modem) jumpers are properly installed. Refer to range hood and PLM installation instructions.
A qualified HVAC contractor should also ensure the proper operation and venting of all combustion equipment in the home.
7. LinkLogic® damper control can be linked to multiple master devices. If damper control is not turning off with newly linked master device, make sure another device is not on, which would cause the damper to remain on (open).
8. In order to erase damper control links and return it to factory default state, proceed as follows.
 - a. Remove power from damper control.
 - b. Press and hold SET button for 10-seconds (LED may light when SET button is pressed and then dim to off).
 - c. Continue holding SET button and turn power on.
 - d. LED should be on when SET button is pressed and power is applied.
 - e. After 3-seconds, release SET button.
 - f. After 3-seconds, LED should light.
 - g. If LED does not light, repeat this process.

MAINTENANCE

Regular maintenance is necessary to ensure the proper operation of the Damper system. Failure to conduct such routine maintenance can jeopardize the ability of the Damper to introduce fresh air into the home. Regular maintenance should include the following activities:

- Clean the outside bird screen to ensure it is free from debris and open to allow fresh air to enter.
- Clean or replace the interior filter(s) which serve to filter fresh air before it enters the home.
- Maintain a clear opening at the outdoor end cap, which means preventing the buildup of snow, leaves, or vegetation at the end cap.
- During regular HVAC maintenance, have the mechanical contractor inspect the Damper system for proper operation.

FREQUENTLY ASKED QUESTIONS (FAQS)

1. What does the Broan Automatic Make-Up Air Damper do?

The Broan Automatic Make-Up Air Damper (the “Damper”) provides a pathway for fresh air to enter a home from outdoors when a compatible exhaust device is operating. The Damper opens when a compatible BEST or Broan range hood is operating, thereby creating a known, controlled point for fresh air to enter the home while air is being exhausted from the building by the range hood.

By operating in this manner, the Damper provides two key benefits for the home:

- It facilitates air exchange between indoors and outdoors, by helping to allow fresh air into the home to replace air which is exhausted out of the home.
- By allowing fresh air into the building when a compatible exhaust device is on, the Damper helps to avoid negative pressure conditions within the home which may interfere with the proper operation of combustion equipment within the home.

Overall, the Damper let's your Broan or BEST exhaust devices do their job more effectively and without interfering with the proper operation of other home systems.

2. Does the “Damper” provide combustion air for combustion appliances like a water heater or a furnace?

No. The Damper helps to replace air which is exhausted by a compatible range hood. But it does NOT help to replace air which is drawn from the indoors by a combustion appliance like a natural gas water heater, and it should not be relied upon to perform this function. One main reason for this restriction is that the Damper is only open when the range hood that it's connected to is operating. So there is no assurance that the Damper would be open when other appliances, like a water heater, are operating. Other means must be provided to ensure adequate combustion air for these appliances.

3. How do I know if I need make-up air for my range hood?

In some cases the local building code may tell you that make-up air is necessary. For example, some codes specify that range hoods with exhaust flows of 300 cubic feet per minute (CFM) or higher need a mechanical system to introduce make-up air.

In other cases, make-up air for a range hood is desirable regardless of whether code requires it. This is especially true for:

- larger range hoods (those over 300 cfm)
- homes which are well air-sealed - so outside air may not be able to easily find its way into the home through cracks, to replace air which is exhausted out
- homes with atmospherically vented combustion appliances (i.e. a water heater or natural draft fireplace), which are more susceptible to improper venting if depressurization occurs in the home.

In homes with any one of these factors make-up air is advised. And in homes with more than one of these conditions make-up air for the range hood is strongly advised.

4. What are the benefits of providing make-up air to replace air which is exhausted out of the home by a range hood?

Range hoods are designed to pull out pollutants like cooking odors or moisture at the source, so they don't linger in the home. Because these fans pull air out of the house, this air needs to be replaced with “new” air from outdoors. Normally this make-up air enters the home through cracks and holes in the “shell” of the building. But modern homes are air-sealed much more thoroughly so there are not as many cracks and openings. Plus some exhaust fans like range hoods exhaust a lot more air than can be replaced through normal cracks in the building shell.

By providing an intentionally designed opening for fresh air to replace air which is exhausted out by the range hood, several important benefits result:

- The make-up air entering the home comes in at a known point, where it is also filtered
- Negative pressure conditions, which could arise if air is exhausted from a home without being replaced by new fresh air, are prevented
- Pollutants are more effectively exhausted from the home while fresh replacement air is drawn into the home, improving ventilation

5. Does ASHRAE 62.2-2007 – “Ventilation and Acceptable Indoor Air Quality in Low-Rise Residential Buildings” – require the use of a make-up air damper?

ASHRAE 62.2-2007 does not specifically require make-up air dampers. In a few limited circumstances, this standard does require that net exhaust flows from a house be limited. For example, Section 6.4 of the standard limits the net exhaust flow from a home's two largest exhaust appliances if the home has atmospherically vented or solid-fuel burning appliances located within the pressure boundary of the house. This standard is available at www.ashrae.org.

6. Can I use the Broan Automatic Make-Up Air Damper with other equipment in my home?

No. The Broan Automatic Make-Up Air Damper may only be used with compatible BEST or Broan range hoods. More information on exact models of the Damper and compatible exhaust devices can be found in the Broan Automatic Make-Up Air Damper Application Guide.

7. What are the different ways that the Damper can be installed in my home?

The most common way to install the Damper is to connect it to a home's central duct system. In this application, outside fresh air enters the home through the Damper and is then routed and distributed through the home's ducts. More information on this installation approach can be found in the Broan Automatic Make-Up Air Damper Application Guide on our web site: www.broan.com.

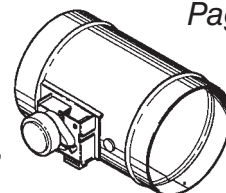
8. What if my home doesn't have ducts?

Homes without ducts can still utilize the Damper to help replace air which is exhausted from the home by the range hood. An installation illustration for this situation is included in the Broan Automatic Make-Up Air Damper Application Guide on our web site: www.broan.com.

9. What happens after a power outage?

The Damper system and the associated exhaust devices will not lose their settings following a power outage. So the system will resume its normal operation following a power outage, based on the settings it used prior to the outage.

CLAPET AUTOMATIQUE D'AIR DE COMPENSATION AVEC TRANSFORMATEUR ET RELAIS LinkLogic®



Page 6

Pour enregistrer ce produit,
visitez : www.broan.com

LIRE CES DIRECTIVES ET LES CONSERVER

⚠️ POUR USAGE RÉSIDENTIEL SEULEMENT ⚠️

AVERTISSEMENT ⚠️ ⚡

AFIN DE DIMINUER LES RISQUES D'INCENDIE, D'ÉLECTROCUTION OU DE BLESSURES, SUIVEZ CES DIRECTIVES :

1. La pose de l'appareil et les travaux d'électricité doivent être effectués par des personnes qualifiées conformément à la réglementation en vigueur, notamment les normes de la construction ayant trait à la protection contre les incendies.
2. N'utilisez cet appareil avec aucun dispositif d'évacuation non compatible avec les hottes de cuisine BEST ou Broan.
3. Cet appareil n'est pas conçu pour procurer de l'air de combustion aux appareils de chauffage au mazout.
4. Ne raccordez pas directement cet appareil à un appareil combustion de quelque type que ce soit.
5. Pour éviter les refoulements, l'apport d'air doit être suffisant pour brûler les gaz produits par les appareils à combustion et les évacuer dans le conduit de fumée (cheminée). Respectez les directives du fabricant de l'appareil de chauffage et les normes de sécurité, notamment celles publiées par la National Fire Protection Association (NFPA), l'American Society for Heating, Refrigeration and Air Conditioning Engineers (ASHRAE) et les codes des autorités locales.
6. Avant de procéder à l'entretien ou au nettoyage de l'appareil, coupez l'alimentation du panneau électrique et verrouillez l'interrupteur principal afin d'empêcher que le courant ne soit accidentellement rétabli. S'il est impossible de verrouiller l'interrupteur principal, fixez solidement un message d'avertissement, par exemple une étiquette, sur le panneau électrique.
7. Il est conseillé de porter des lunettes de sécurité et des gants lors de l'installation, de l'entretien ou du nettoyage de l'appareil.
8. Par mauvais temps, comme lors d'une tempête de neige, assurez-vous que la prise d'air du conduit extérieur n'est pas obstruée et permet à l'air extérieur d'entrer librement dans le conduit.
9. Veillez à ne pas endommager le câblage électrique ou autres connexions non apparentes lors de la découpe ou du perçage d'un mur ou d'un plafond.
10. Si vous devez encocher ou percer les solives d'un plancher ou les montants d'un mur, veuillez respecter les codes et limitations du fabricant quant aux modifications acceptables de ces éléments de charpente.
11. Cet appareil est conçu pour être installé dans une habitation à un endroit à l'abri de l'humidité.
12. Il doit être placé dans un lieu accessible permettant son inspection.
13. N'utilisez cet appareil que de la manière prévue par le fabricant. Si vous avez des questions, communiquez avec le fabricant à l'adresse ou au numéro de téléphone indiqués dans ce document.
14. Lorsque les législations fédérales, provinciales ou d'état comportent des exigences plus sévères quant à l'installation et/ou l'homologation, celles-ci auront préséance sur celles de ce document et l'installateur s'engage à s'y conformer à ses frais.

ATTENTION ⚠️

1. Ne situez pas la prise d'air extérieur près de matières dangereuses ou explosives.
2. L'installation de l'appareil ne doit pas permettre d'aspirer l'air d'un vide sanitaire, d'un garage, d'un grenier, d'un logement adjacent ni de tout autre espace situé à l'intérieur de l'enceinte de l'édifice. L'appareil doit être installé pour aspirer l'air directement de l'extérieur.
3. Ne placez pas le conduit d'arrivée d'air extérieur directement au-dessus d'un appareil de chauffage, d'un caisson de distribution ou d'une chaudière, ni à moins de 60 cm (2 pi).
4. Installez tout conduit utilisé avec le clapet conformément aux codes locaux et nationaux en vigueur.
5. N'utilisez pas le clapet pour introduire de l'air frais tant que les filtres, et notamment le filtre du conduit central du système, n'ont pas été installés tels que conçus.
6. Veuillez lire l'étiquette de spécifications du produit pour obtenir plus de renseignements, notamment sur les exigences.
7. La prise d'air extérieur du clapet, les conduits et les filtres doivent être régulièrement inspectés et entretenus.
8. Dans les climats froids, isolez le conduit et le clapet pour éviter la condensation. Il est conseillé de placer un coupe-vapeur des deux côtés de l'isolant.

GARANTIE

GARANTIE LIMITÉE D'UN AN BROAN-NUTONE

Broan-NuTone garantit à l'acheteur original que les produits vendus en vertu de la présente sont libres de tout vice de matériau ou de fabrication pour une période d'un an à compter de la date d'achat originale. CETTE GARANTIE NE COMPORTE AUCUNE AUTRE GARANTIE, EXPRESSE OU TACITE, Y COMPRIS, MAIS SANS S'Y LIMITER, LES GARANTIES TACITES DE VALEUR MARCHANDE OU D'ADAPTATION À UN USAGE PARTICULIER.

Durant cette période d'un an, Broan-NuTone réparera ou remplacera gratuitement, à sa discrétion, tout produit ou toute pièce jugés défectueux dans des conditions normales d'utilisation.

CETTE GARANTIE NE S'APPLIQUE PAS AUX TUBES FLUORESCENTS ET AUX DÉMARREURS. Cette garantie ne couvre pas (a) les frais d'entretien ou de service normaux ni (b) tout produit ou toute pièce soumis à un abus, une négligence, un accident, un entretien ou une réparation inadéquats (autres que ceux effectués par Broan-NuTone), une mauvaise installation ou une installation contraire aux instructions recommandées.

La durée de toute garantie tacite est limitée à la période d'un an stipulée pour la garantie expresse. Certains territoires ou provinces interdisant de limiter la durée d'une garantie tacite, la limitation ci-dessus peut ne pas s'appliquer à votre situation.

L'OBLIGATION POUR BROAN-NUTONE DE RÉPARER OU DE REMPLACER LE PRODUIT, À SA DISCRÉTION, CONSTITUE LE SEUL RECOURS DE L'ACHETEUR EN VERTU DE LA PRÉSENTE GARANTIE. BROAN-NUTONE NE PEUT ÊTRE TENUE RESPONSABLE DES DOMMAGES INDIRECTS OU CONSÉCUTIFS NI DES DOMMAGES-INTÉRÊTS PARTICULIERS DÉCOULANT DE L'UTILISATION OU DU RENDEMENT DU PRODUIT. Certains territoires ou provinces interdisent l'exclusion ou la restriction des dommages indirects ou consécutifs. La restriction susmentionnée peut donc ne pas s'appliquer dans votre cas.

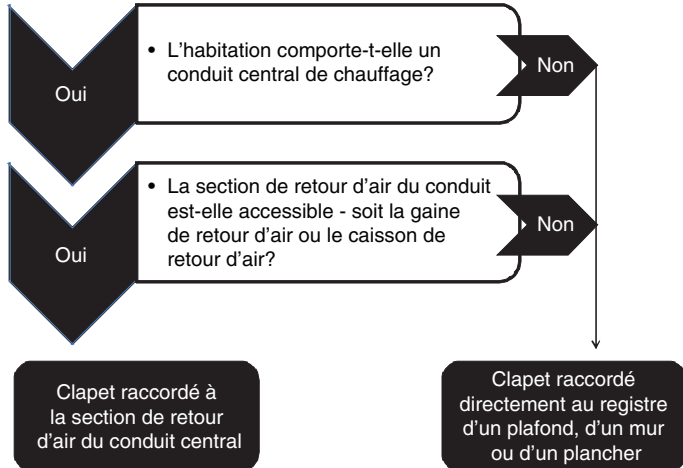
La présente garantie vous confère des droits spécifiques reconnus par la loi. D'autres droits pourraient également vous être accordés selon la législation locale en vigueur. La présente garantie remplace toutes les autres garanties précédentes.

Pour vous prévaloir de cette garantie, vous devez (a) aviser Broan-NuTone à l'adresse ou au numéro de téléphone indiqués ci-dessous, (b) donner le numéro de modèle du produit et le numéro d'identification de la pièce et (c) décrire la nature de la défectuosité du produit ou de la pièce. Lors de votre demande de garantie, vous devez présenter une preuve de la date d'achat originale.

Broan-NuTone LLC Hartford, Wisconsin www.nutone.com 800-558-1711

PLANIFICATION DE L'INSTALLATION

La planification de l'installation exige d'abord le choix du mode d'installation le plus approprié. Le tableau ci-dessous présente des suggestions pour le type d'installation le plus efficace compte tenu de quelques facteurs importants. De plus amples informations sur les deux principaux types d'installation sont présentées ci-dessous.



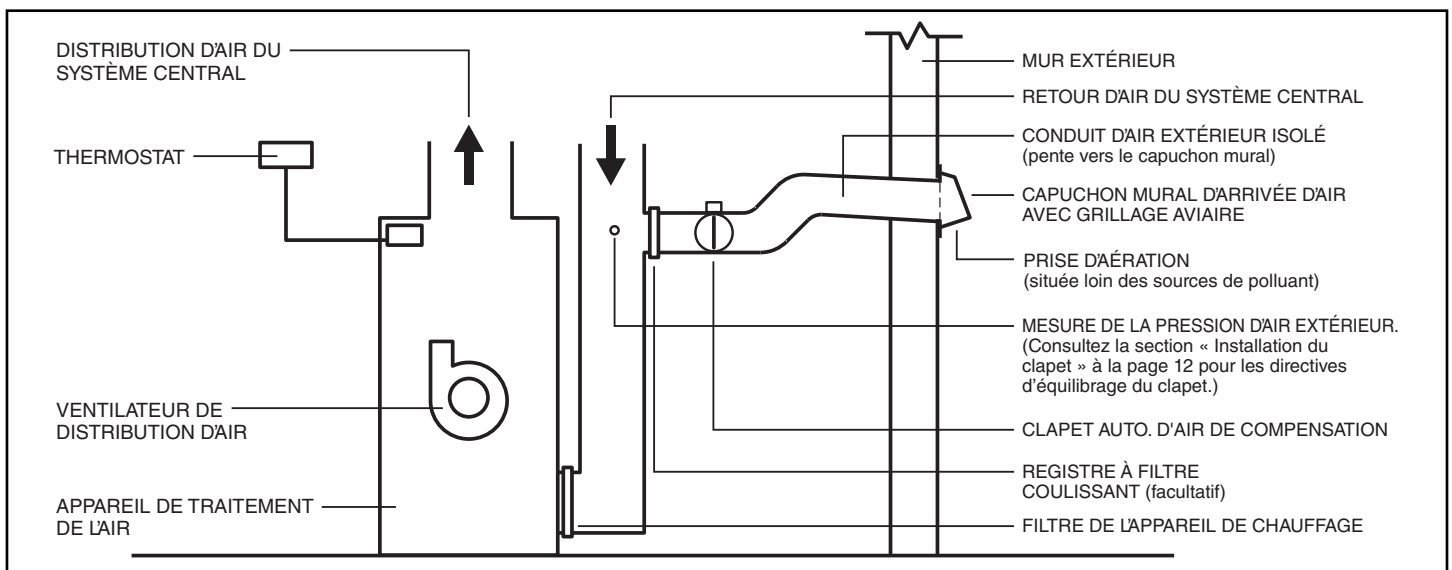
EMPLACEMENT DE LA PRISE D'AIR EXTÉRIEUR

La conception et l'emplacement adéquats de la prise d'air extérieur sont indispensables au bon fonctionnement et à la fiabilité du clapet pour faire pénétrer de l'air frais dans la maison. Il importe de respecter les exigences suivantes lors du positionnement de la prise d'air :

- La prise d'air extérieur est située à au moins 3 m (10 pi) de tout évier d'appareil à combustion, cheminée, colonne de plomberie ou évier de salle de bain ou de cuisine. Si les exigences des codes locaux sont encore plus sévères, elles prévaudront.
- La prise d'air extérieur est à une hauteur suffisante pour empêcher qu'elle ne soit obstruée par la neige ou des débris, telles que des feuilles, et doit être à au moins 30 cm (1 pi) au-dessus du sol.

INSTALLATIONS TYPE

Les installations varieront en fonction de l'emplacement de l'appareil dans la maison et du modèle de clapet utilisé. Consultez les illustrations et notes ci-dessous pour vous guider dans l'installation. Respectez toujours les exigences des codes dans toute situation où un détail indiqué ci-dessous contredirait les codes locaux. Ceux-ci ont préséance.



Clapet raccordé à la section de retour d'air du conduit central.

- Le clapet d'air de compensation ne doit pas aspirer l'air d'un vide sanitaire, d'un garage, d'un grenier, d'un logement adjacent ni de tout autre espace situé à l'intérieur de l'édifice. Le clapet doit être installé pour aspirer l'air directement de l'extérieur.

PROTECTION DE L'OUVERTURE DE LA PRISE D'AIR EXTÉRIEUR

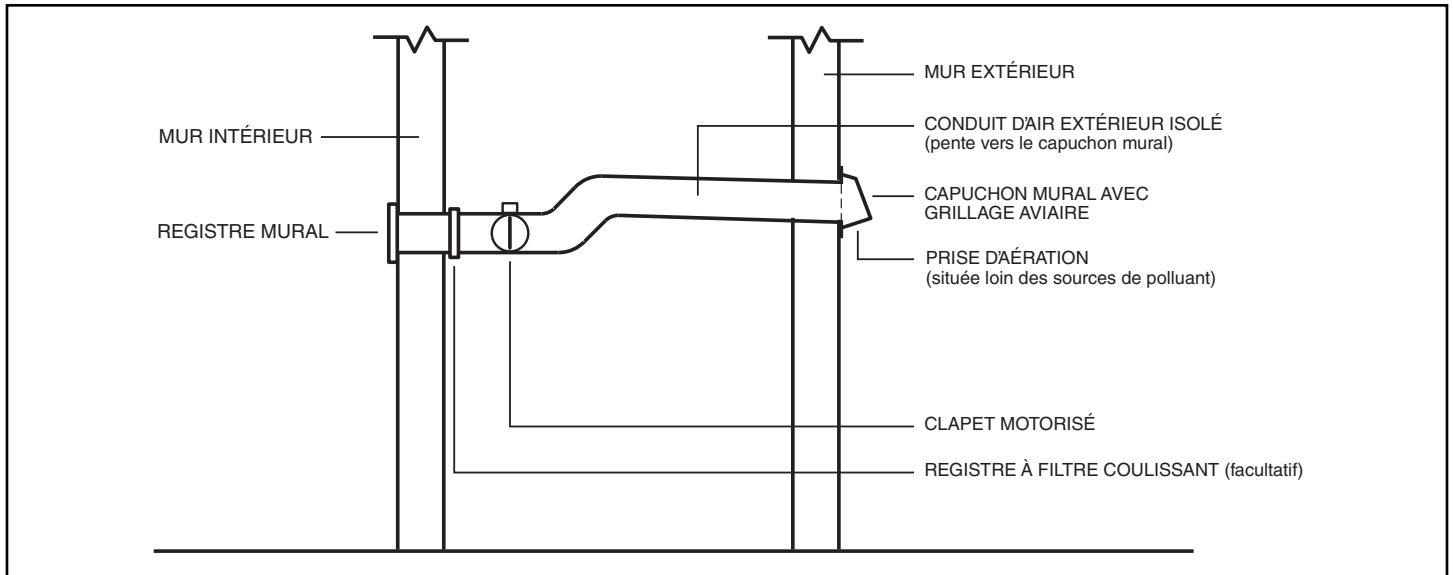
Puisque le clapet, ainsi que le capuchon mural et la prise d'air extérieur qui lui sont rattachés, permettront à l'air extérieur d'entrer à l'intérieur de l'habitation, il importe de respecter les exigences suivantes :

- Utilisez un capuchon mural d'air frais de modèle 641FA (15 cm/6 po) ou 643FA (20 cm/8 po) muni d'un grillage aviaire pour empêcher les oiseaux, les animaux ou les débris d'entrer. Nettoyez souvent ce grillage et ne l'enlevez pas.
- Si vous utilisez un autre grillage aviaire que celui fourni, il doit couvrir toute l'ouverture de la prise d'air extérieur. Ce grillage doit également avoir des ouvertures d'au moins 6 mm (¼ po) mais de pas plus de 13 mm (½ po).
- L'ouverture de la prise d'air extérieur doit respecter les dispositions des codes locaux concernant la protection des ouvertures dans les murs extérieurs, dont les mesures à prendre pour empêcher l'entrée d'humidité autour de l'ouverture.

Veuillez noter que le grillage de la prise d'air ne constitue pas un filtre. Il ne vise qu'à empêcher l'entrée des feuilles, des animaux ou des débris dans le conduit. Un filtre situé en aval est nécessaire pour enlever le pollen, la poussière et les autres particules en suspension. Les emplacements possibles du filtre sont indiqués ci-dessous dans la section des Installations type.

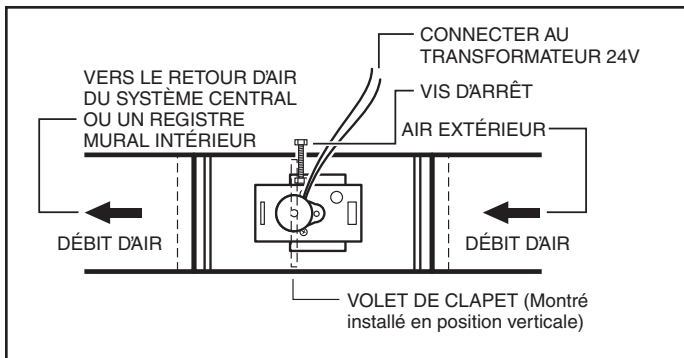
EXIGENCES RELATIVES À LA TEMPÉRATURE MINIMALE DE L'AIR DE RETOUR

Les fabricants d'appareils de chauffage et de climatisation ont parfois des exigences relatives à la température minimale de l'air du caisson de retour. Faire pénétrer de l'air extérieur dans la section de retour du système central peut affecter cette température. L'installateur devra choisir la taille adéquate du conduit d'air extérieur et l'emplacement approprié de son raccordement à la section de retour d'air du système central afin de satisfaire les exigences de température minimale, conformément à sa conception.

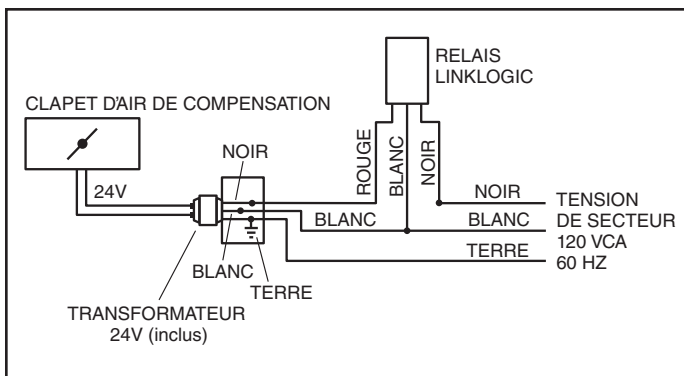


Clapet et conduit extérieur raccordés directement au registre d'un plafond, d'un mur ou d'un plancher.

INSTALLATION DU CLAPET



Installez le clapet tel qu'illustré. Assurez-vous que le volet du clapet est en position verticale. L'ouverture du clapet peut être réglée à l'aide de la vis d'arrêt - en équilibrant la pression d'air intérieur et extérieur lorsque la hotte de cuisine expulse l'air à haute vitesse.



Effectuez le câblage tel qu'illustré.

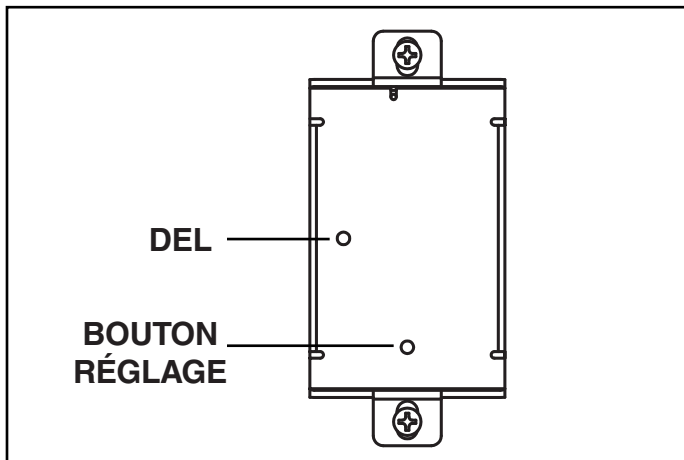
TECHNOLOGIE LINKLOGIC®

La technologie LinkLogic® a été spécialement conçue pour certains appareils de ventilation Broan et BEST afin de commander et d'offrir de l'information sur l'état des appareils par le biais des lignes électriques de la maison. Aucun fil supplémentaire de commande n'est requis car les appareils de ventilation compatibles peuvent envoyer des messages de communication numérique les uns aux autres sur le même fil qui sert à les alimenter, formant ainsi un « réseau maillé ».

Les appareils LinkLogic® communiquent par le biais du câblage d'alimentation. Un coupleur de phase est nécessaire si la commande de clapet LinkLogic® et l'appareil principal (telle qu'une hotte compatible à LinkLogic® ou à commande SmartSense®) sont branchés sur des phases électriques opposées. Les appareils de ventilation « connectés » fonctionnent comme un système coordonné pour garantir une ventilation optimale et écoénergétique de l'habitation.

INSTRUCTIONS DE LIAISON DE COMMANDE DU CLAPET LINKLOGIC®

1. Les appareils LinkLogic® communiquent par le biais du câblage d'alimentation. Un coupleur de phase est nécessaire si la commande de clapet LinkLogic® et l'appareil principal (telle qu'une hotte compatible à LinkLogic® ou à commande SmartSense®) sont branchés sur des phases électriques opposées.



2. Assurez-vous que la commande de clapet LinkLogic® et l'appareil principal sont sous tension.
3. Amorcez le processus de mise en liaison selon les directives d'installation.
4. Lorsque demandé, appuyez avec un petit tournevis ou un trombone sur le bouton RÉGLAGE (SET) pendant trois secondes pour activer le mode de liaison de la commande du clapet.
5. Après avoir quitté le mode de liaison de l'appareil principal, mettez l'appareil en marche puis arrêtez-le pour vérifier que la commande du clapet se met elle aussi en marche et s'arrête. Une fois le lien établi, la commande de clapet demeurera dans son état initial jusqu'à ce que l'appareil principal soit mis en marche puis arrêté. L'indicateur DEL de la commande de clapet s'allume lorsque le clapet est ouvert et s'éteint lorsqu'il est fermé.
6. Si la hotte compatible à LinkLogic® ne provoque pas la mise en marche et l'arrêt de la commande du clapet, vérifiez que les cavaliers du circuit PLM (modem de ligne d'alimentation) sont correctement installés. Consultez les instructions de la hotte et les directives d'installation du circuit PLM. Un spécialiste en appareil de chauffage et de climatisation doit également s'assurer du bon fonctionnement de tout appareil de combustion, notamment l'évacuation des gaz de combustion.
7. La commande de clapet LinkLogic® peut être reliée à plusieurs appareils. Si la commande de clapet n'est pas désactivée par un appareil nouvellement mis en liaison, vérifiez qu'un autre appareil n'est pas en marche, ce qui maintiendrait le clapet actionné (ouvert).

8. Pour effacer les liens de la commande de clapet et revenir à l'état préréglé à l'usine, faites comme suit :
 - a. Coupez l'alimentation de la commande de clapet.
 - b. Appuyez sur le bouton RÉGLAGE (SET) pendant 10 secondes (en appuyant sur le bouton, le voyant DEL pourra s'allumer puis s'éteindre graduellement).
 - c. Continuez à maintenir le bouton RÉGLAGE (SET) et rétablissez l'alimentation.
 - d. Le voyant DEL devrait s'allumer lorsque vous appuyez sur le bouton RÉGLAGE (SET) et que le courant est rétabli.
 - e. Après 3 secondes, relâchez le bouton RÉGLAGE (SET).
 - f. Après 3 secondes, le voyant DEL devrait s'allumer.
 - g. Si le voyant DEL ne s'allume pas, recommencez le processus.

ENTRETIEN

Un entretien régulier est nécessaire pour garantir le bon fonctionnement du système de clapet. Toute négligence à cet égard risque d'affecter la capacité du clapet d'introduire de l'air frais dans l'habitation. Cet entretien régulier doit comporter les points suivants :

- Nettoyer l'extérieur du grillage aviaire de la prise d'air pour éviter que des débris empêchent l'arrivée de l'air frais.
- Nettoyer ou remplacer le(s) filtre(s) d'air frais avant l'entrée de l'air dans la maison.
- Veiller à ce que l'ouverture du capuchon mural extérieur reste dégagée : déblayer la neige, enlever les feuilles ou la végétation autour du capuchon.
- Lors de la visite d'entretien régulière du spécialiste du chauffage, demandez-lui de vérifier le bon fonctionnement du clapet.

FOIRE AUX QUESTIONS (FAQ)

1. À quoi sert le Clapet automatique d'air de compensation Broan?

Le Clapet automatique d'air de compensation Broan (le « clapet ») permet l'entrée d'air frais dans l'habitation lorsqu'un dispositif d'évacuation compatible est mis en marche. Le clapet s'ouvre lorsqu'une hotte BEST ou Broan compatible est actionnée, offrant ainsi un point d'entrée contrôlé permettant à de l'air frais de pénétrer dans l'habitation pendant que de l'air est expulsé hors de l'édifice.

En fonctionnant ainsi, le clapet offre deux avantages pour l'habitation :

- Il facilite l'échange d'air entre l'intérieur et l'extérieur en permettant à de l'air frais d'entrer à l'intérieur pour remplacer l'air évacué.
- En laissant pénétrer de l'air frais dans l'habitation lorsqu'un appareil d'évacuation compatible est mis en marche, le clapet contribue à éviter qu'une pression négative s'exerce et nuise au bon fonctionnement des appareils de combustion situés dans la maison.

Bref, le clapet permet à votre appareil d'évacuation Broan ou BEST de fonctionner avec plus d'efficacité et sans nuire au fonctionnement adéquat des autres systèmes de la maison.

2. Est-ce que le « clapet » fournit de l'air aux appareils à combustion comme un chauffe-eau ou un appareil de chauffage?

Non. Le clapet aide à remplacer l'air évacué par une hotte compatible. Il ne contribue PAS à remplacer l'air tiré de l'intérieur par un appareil à combustion comme un chauffe-eau au gaz naturel et il ne faut pas lui conférer cette fonction. Cette restriction se justifie principalement parce que le clapet ne s'ouvre que si la hotte à laquelle il est connecté est mise en marche. Il n'y donc rien qui garantit que le clapet soit ouvert lorsqu'un autre appareil, tel qu'un chauffe-eau, est en marche. Il faut faire appel à d'autres moyens pour assurer une alimentation d'air de combustion adéquate à ces appareils.

3. Comment puis-je savoir si une hotte nécessite un apport d'air de compensation?

Dans certains cas, le code du bâtiment stipule que cet apport d'air est nécessaire. Par exemple, certains codes stipulent que les hottes ayant un débit de 300 pieds cubes par minute (pi^3/m) ou plus exigent un dispositif mécanique d'apport d'air de compensation.

Dans d'autres cas, l'air de compensation est souhaitable même si le code ne l'exige pas. Particulièrement lorsque :

- il s'agit d'une grande hotte (de plus de $300 \text{ pi}^3/\text{m}$)
- la maison est très étanche, de sorte que l'air extérieur peut difficilement s'infiltrer à l'intérieur par les fentes et remplacer l'air évacué à l'extérieur
- la maison comporte des appareils à combustion ventilés par l'atmosphère (par ex., chauffe-eau ou foyer à tirage naturel), qui sont plus susceptibles d'être mal ventilés si la maison subit une dépressurisation.

Dans les maisons présentant l'un ou l'autre de ces facteurs, l'air de compensation est conseillé. Et dans les maisons présentant plusieurs de ces situations, l'air de compensation pour la hotte est fortement conseillé.

4. Quels avantages y a-t-il à fournir de l'air de compensation pour remplacer l'air évacué à l'extérieur par une hotte de cuisine?

Les hottes de cuisine sont conçues pour aspirer les polluants comme les odeurs et vapeurs de cuissons à la source, afin qu'elles ne stagnent pas dans la maison. Puisque ces ventilateurs

évacuent l'air de la maison, celui-ci doit être remplacé par de l'air « neuf » de l'extérieur. Normalement, cet air de compensation entre dans l'habitation par les ouvertures et les fentes de « l'enveloppe » de l'édifice. Or, les maisons modernes sont beaucoup plus étanches et ne présentent plus autant de fentes et d'ouvertures. De plus, certains ventilateurs comme ceux des grandes hottes évacuent beaucoup plus d'air que celui pouvant être remplacé par les fentes et les fissures de l'enceinte de la maison.

Le fait de créer délibérément un passage pour l'air frais afin de remplacer l'air évacué par la hotte présente plusieurs avantages importants :

- L'air de compensation qui pénètre dans la maison le fait à un endroit connu, ce qui permet de le filtrer
- On évite les situations de pression négative qui découlent de l'évacuation de l'air de l'habitation sans le remplacer par de l'air frais
- Les polluants sont évacués hors de la maison avec plus d'efficacité, alors que l'air frais de remplacement est tiré dans la maison, ce qui améliore la ventilation

5. Est-ce que la norme ASHRAE 62.2-2007 – « Ventilation et qualité d'air intérieur acceptable dans les constructions résidentielles basses » – exige l'utilisation d'un clapet d'air de compensation?

La norme ASHRAE 62.2-2007 n'exige pas spécifiquement le recours aux clapets d'air de compensation. Ce n'est que dans quelques circonstances que cette norme exige de limiter le débit d'évacuation nette de l'air de l'habitation. Par exemple, à la Section 6.4, la norme limite le débit d'évacuation nette d'une maison à deux grands appareils d'évacuation si ceux-ci sont ventilés par l'atmosphère ou s'il s'agit de brûleurs à combustible solide situés à l'intérieur de l'enceinte pressurisée de l'habitation. Cette norme peut être consultée à www.ashrae.org.

6. Puis-je utiliser le Clapet automatique d'air de compensation Broan avec d'autres appareils de mon habitation?

Non. Le Clapet automatique d'air de compensation Broan est uniquement compatible avec les hottes BEST ou Broan. D'autres renseignements sur les modèles exacts de clapets et d'appareils d'évacuation compatibles se trouvent dans le Guide d'application du clapet automatique d'air de compensation de Broan.

7. De quelles façons puis-je installer ce clapet dans ma maison?

La façon la plus courante d'installer le clapet est de le raccorder au système de conduit central. Dans cette application, l'air frais extérieur pénètre dans la maison par le clapet, puis est distribué dans la maison par les conduits. D'autres renseignements sur ce type d'installation se trouvent dans le Guide d'application du clapet automatique d'air de compensation Broan sur notre site Web : www.broan.com.

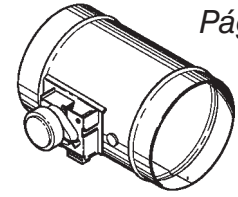
8. Que faire si ma maison n'a pas de conduits de ventilation?

Dans une maison sans conduits, vous pouvez également utiliser le clapet pour remplacer l'air évacué par la hotte de cuisine. Une illustration de ce type d'installation se trouve dans le Guide d'application du clapet automatique d'air de compensation Broan sur notre site Web : www.broan.com.

9. Que se passe-t-il après une panne de courant?

Le système de clapet et les appareils d'évacuation qui lui sont associés conserveront leur configuration après une panne d'électricité. Il reprendra ainsi son fonctionnement normal une fois le courant rétabli, tel que configuré avant la panne.

REGULADOR DE AIRE AUTOMÁTICO DE REPUESTO, CON TRANSFORMADOR Y RELÉ LinkLogic®



Página 11

Para registrar este producto
visite: www.broan.com

LEA Y CONSERVE ESTAS INSTRUCCIONES

! SÓLO PARA USO RESIDENCIAL !

ADVERTENCIA



PARA REDUCIR EL RIESGO DE INCENDIOS, DESCARGAS ELÉCTRICAS O LESIONES PERSONALES, OBSERVE LAS SIGUIENTES PRECAUCIONES:

- Una o más personas calificadas deben realizar el trabajo de instalación y el cableado eléctrico, de acuerdo con todos los códigos y normas correspondientes, incluidos los códigos y normas de construcción específicos de protección contra incendios.
- No utilice la unidad en conjunto con dispositivos de extracción que no sean campanas BEST o Broan compatibles.
- Esta unidad no está diseñada para suministrar aire de combustión para los electrodomésticos que queman combustible.
- No conecte la unidad directamente a un electrodoméstico de combustión de ningún tipo.
- Se necesita suficiente aire para que se lleve a cabo una combustión y una extracción adecuadas de los gases a través del tubo de humos (chimenea) del equipo quemador de combustible, con el fin de evitar el contratiempo. Siga las directrices y las normas de seguridad del fabricante del equipo de calentamiento, como las publicadas por la Asociación Nacional de Protección contra Incendios (National Fire Protection Association, NFPA), la Sociedad Americana de Ingenieros de Calefacción, Refrigeración y Aire Acondicionado (American Society for Heating, Refrigeration and Air Conditioning Engineers, ASHRAE) y las autoridades normativas locales.
- Antes de dar servicio a la unidad o de limpiarla, interrumpa el suministro eléctrico en el panel de servicio y bloquee los medios de desconexión del servicio para evitar que la electricidad se reanude accidentalmente. Cuando no sea posible bloquear los medios de desconexión del servicio, fije firmemente una señal de advertencia (como una etiqueta) en un lugar visible del panel de servicio.
- Cuando realice la instalación, el servicio o la limpieza de la unidad, se recomienda que use gafas de seguridad y guantes.
- En climas extremos, que incluyen tormentas de nieve, asegúrese de que el área de admisión para el conducto de aire exterior no esté bloqueada y que pueda suministrar una trayectoria despejada para que el aire exterior entre al sistema.
- Al cortar o perforar a través de la pared o del cielo raso, no dañe el cableado eléctrico ni otros servicios ocultos.
- Al crear muescas o al perforar la estructura, lo cual incluye apoyos para el piso, vigas y montantes de pared, cumpla con las limitaciones de los códigos y del fabricante respecto a las modificaciones permitidas sobre estos miembros estructurales.
- Esta unidad está diseñada para instalarse dentro de la casa en un sitio protegido contra la humedad.
- Esta unidad debe estar en un sitio accesible que permita la inspección de la misma.
- Use la unidad sólo de la manera indicada por el fabricante. Si tiene preguntas, comuníquese con el fabricante a la dirección o al número telefónico que se incluye en este documento.
- Cuando la legislación federal, provincial o estatal incluya requisitos de instalación y/o de certificación más estrictos, los requisitos ya mencionados prevalecen sobre los de este documento, y el instalador acepta cumplir con ellos a sus propias expensas.

PRECAUCIÓN



- No sitúe la entrada de aire exterior cerca de materiales peligrosos o explosivos.
- La unidad no deberá instalarse de tal manera que introduzca aire de entresuelos, cocheras, áticos, unidades de vivienda adyacentes u otros sitios dentro de la estructura del edificio. La unidad deberá instalarse de tal manera que introduzca el aire directo del exterior.
- No tienda el conducto de aire exterior directamente arriba o más cerca de 2 pies (60 cm) de cualquier caldera o su pleno de suministro, calentador u otro aparato que genere calor.
- Cualquier conducto que se utilice en conjunto con el regulador se debe instalar cumpliendo con todos los códigos locales y nacionales que correspondan.
- No haga funcionar el regulador para que introduzca aire fresco hasta que todos los filtros del sistema, incluyendo el filtro del sistema de conductos centrales, se hayan instalado según el diseño del sistema.
- Lea la etiqueta de especificaciones de la unidad que tiene el producto para ver información y requisitos adicionales.
- La entrada de aire exterior, los conductos y los filtros del regulador se deben inspeccionar y mantener con regularidad.
- Aísle el conducto y el regulador para prevenir la acumulación de condensación en climas fríos. Se recomiendan barreras de vapor a ambos lados del aislamiento.

GARANTÍA

GARANTÍA LIMITADA DE UN AÑO DE BROAN-NUTONE

Broan-NuTone garantiza al consumidor comprador original de sus productos que dichos productos estarán libres de defectos en materiales o mano de obra durante un período de un año a partir de la fecha de la compra original. NO EXISTEN OTRAS GARANTÍAS, EXPLÍCITAS O IMPLÍCITAS, INCLUYENDO, ENTRE OTRAS, GARANTÍAS IMPLÍCITAS DE COMERCIALIZACIÓN O APTITUD PARA UN PROPÓSITO PARTICULAR.

Durante este período de un año, Broan-NuTone, a su criterio, reparará o reemplazará sin cargo alguno cualquier pieza o producto que se encuentre defectuoso bajo condiciones normales de uso y servicio.

ESTA GARANTÍA NO SE APLICA A TUBOS Y ARRANCADORES DE LÁMPARAS FLUORESCENTES. Esta garantía no cubre (a) mantenimiento y servicio normales, ni (b) ningún producto o piezas que se hayan sometido a uso inadecuado, negligencia, accidente, mantenimiento o reparación inadecuada (no hecha por Broan-NuTone), instalación incorrecta o instalación en contra de las instrucciones de instalación recomendadas.

La duración de una garantía implícita se limita al período de un año como se especifica para la garantía explícita. Algunos estados no permiten limitaciones en cuanto al tiempo de vencimiento de una garantía implícita, por lo que la limitación antes mencionada podría no aplicarse a usted.

LA OBLIGACIÓN DE BROAN-NUTONE DE REPARAR O REEMPLAZAR, A OPCIÓN DE BROAN-NUTONE, SERÁ EL ÚNICO Y EXCLUSIVO RECURSO DEL COMPRADOR BAJO ESTA GARANTÍA. BROAN-NUTONE NO SERÁ RESPONSABLE POR DAÑOS INCIDENTALES, RESULTANTES O ESPECIALES QUE SURJAN DE O EN RELACIÓN CON EL USO O DESEMPEÑO DEL PRODUCTO. Algunos estados no permiten la exclusión o la limitación de daños incidentales o resultantes, de manera que es posible que la limitación antedicha no se aplique en su caso.

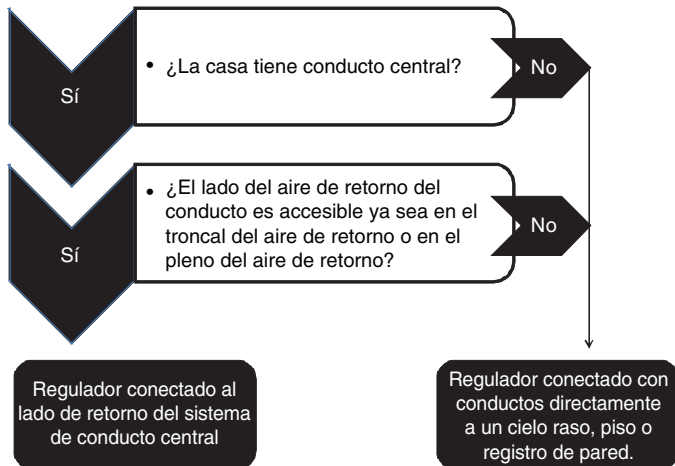
Esta garantía le da derechos legales específicos, y usted podría tener otros derechos que varían entre estados. Esta garantía sustituye todas las garantías anteriores.

Para tener derecho al servicio de la garantía, usted debe (a) notificar a Broan NuTone a la dirección y número de teléfono que aparecen abajo, (b) proporcionar el número de modelo y la identificación de la pieza y (c) describir la naturaleza de cualquier defecto en el producto o pieza. En el momento de solicitar servicio cubierto por la garantía, usted debe de presentar un comprobante de la fecha original de compra.

Broan-NuTone LLC Hartford, Wisconsin www.broan.com 800-558-1711

PLANEACIÓN DE LA INSTALACIÓN

La planeación de la instalación requiere primero que seleccione el criterio de instalación más adecuado. El siguiente cuadro ofrece sugerencias del criterio de instalación más eficaz al considerar algunos factores importantes. A continuación se indican más detalles sobre los dos tipos principales de instalación.



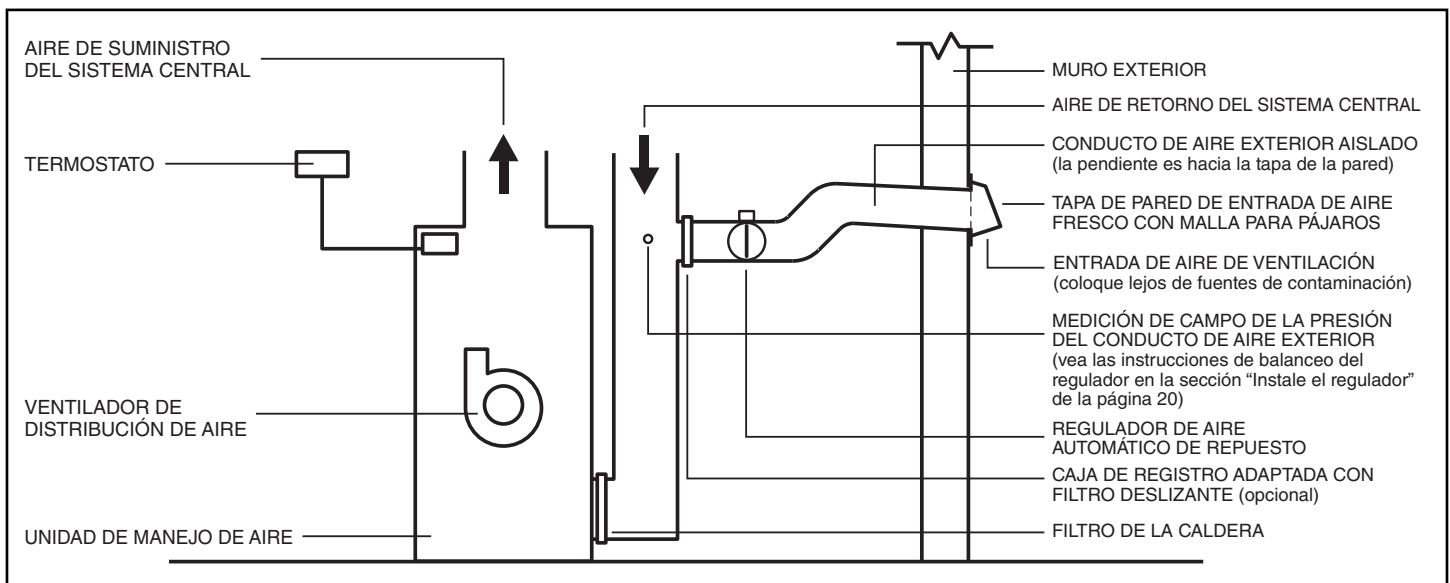
UBICACIÓN DE LA ENTRADA DEL AIRE EXTERIOR

El diseño y el sitio adecuados de la ubicación de la entrada de aire exterior son vitales para garantizar que el regulador pueda suministrar de manera segura y confiable una abertura para que entre el aire fresco a la casa. Se deben cumplir los siguientes requisitos para la ubicación de la entrada del aire exterior:

- La entrada de aire exterior se encuentra a un mínimo de 10 pies (3 m) de las ventilaciones de los electrodomésticos de combustión, chimeneas, tiros de plomería y ventilaciones de extracción del baño o la cocina. Si los códigos locales tienen requisitos de separación más estrictos, deberán ser aplicados.

INSTALACIONES TÍPICAS

Las instalaciones van a variar de acuerdo con la ubicación de la casa donde se instale la unidad y del modelo de regulador que se use. Utilice las siguientes ilustraciones y notas como guía para su propia instalación. Siempre cumpla con los requisitos de los códigos locales y, en cualquier caso donde alguno de los detalles que se muestran a continuación tenga conflicto con los códigos locales, se aplicará la disposición del código local.



Regulador conectado al lado de retorno del sistema de conducto central.

- La entrada de aire exterior se coloca a suficiente altura del rasante para prevenir que sea bloqueada por nieve u otros residuos como hojas, y a un mínimo de 1 pie (30 cm) por arriba del rasante.
- El regulador de aire de repuesto no debe extraer aire de entresuelos, cocheras, áticos, unidades de vivienda adyacentes o cualquier parte cerrada del edificio. El regulador debe instalarse para extraer aire directamente del exterior.

PROTECCIÓN PARA LA ABERTURA DE LA ENTRADA DEL AIRE EXTERIOR

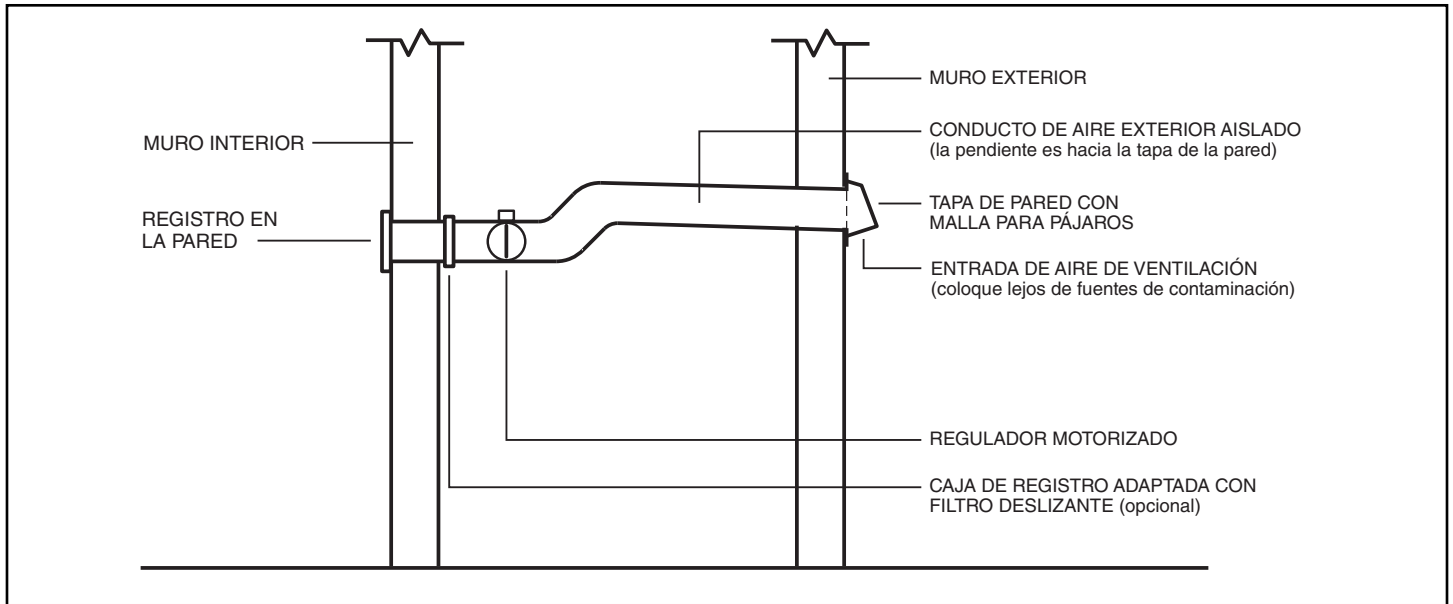
Debido a que el regulador, en conjunto con la tapa del extremo y el conducto de aire exterior instalados en el regulador, permitirá que entre aire exterior al entorno interior, es importante cumplir con los siguientes requisitos:

- Las tapas para pared de entrada de aire fresco modelos 641FA (6 pulg./15 cm) y 643FA (8 pulg./20 cm) incluyen mallas para pájaros como protección para impedir la entrada de animales y desperdicios del exterior. Limpie las mallas con frecuencia y no las quite.
- Si se usa una malla para pájaros diferente a la malla protectora, debe cubrir toda la abertura del conducto de aire exterior. La malla también debe tener aberturas de por lo menos ¼ pulg. (6 mm), pero no mayores de ½ pulg. (13 mm).
- La abertura de entrada de aire exterior debe cumplir con las disposiciones de los códigos locales para proteger las aberturas en las paredes exteriores, incluyendo pasos para prevenir que entre humedad alrededor de la abertura.

Tome en cuenta que la malla sobre la abertura de aire exterior no es un filtro. Está diseñada para prevenir la entrada de hojas, animales o desperdicios en el conducto de aire exterior. Es necesario contar flujo abajo con un filtro para extraer polen, polvo y otras partículas transportadas por el aire. Las posibles ubicaciones del filtro se muestran más abajo, en la sección de Instalaciones típicas.

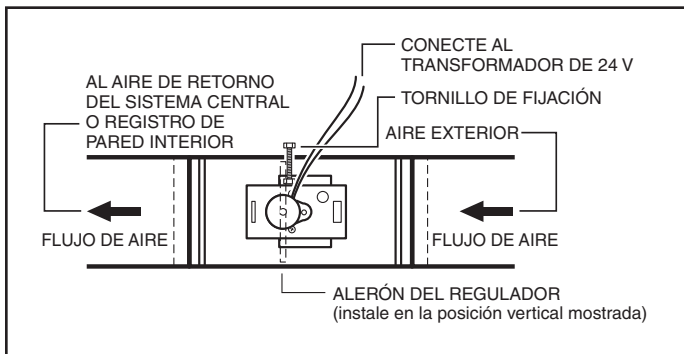
REQUISITOS MÍNIMOS DE LA TEMPERATURA DEL AIRE DE RETORNO

Los fabricantes del equipo HVAC pueden tener requisitos mínimos para la temperatura del aire en el pleno de aire de retorno. La introducción de aire exterior al lado de retorno del sistema de conductos centrales puede afectar esta temperatura. El instalador debe ajustar tanto el tamaño del conducto de aire exterior como la ubicación de su conexión al lado de retorno del sistema de conductos centrales, de tal manera que se cumplan los requisitos de temperatura mínima del aire bajo condiciones de diseño.



Regulador conectado con conductos de aire exterior directamente a un cielo raso, piso o registro de pared.

INSTALE EL REGULADOR

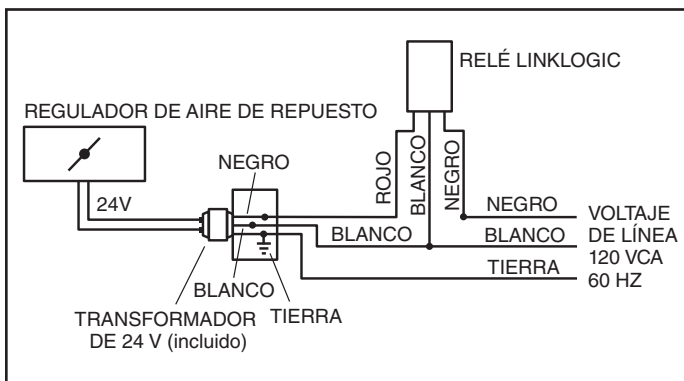


Instale el regulador como se ilustra. Asegúrese de que el alerón del regulador se encuentre en posición vertical. Se puede usar el tornillo de fijación para ajustar la abertura del regulador, con lo cual se balancea la presión de aire interior y exterior cuando la campana extrae aire a alta velocidad.

TECNOLOGÍA LINKLOGIC®

La tecnología LinkLogic® se diseñó especialmente para ciertos dispositivos de ventilación Broan y BEST, para brindar información de control y de estado del dispositivo sobre las líneas eléctricas existentes en la casa. No se requieren cables de control adicionales, ya que los dispositivos de ventilación compatibles envían mensajes de comunicación digital a cada uno sobre el mismo cable en el que reciben su energía, creando una "red de malla".

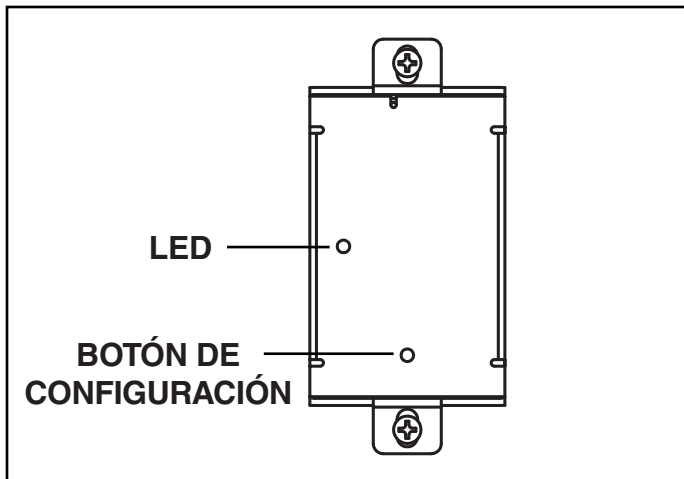
Los dispositivos LinkLogic® se comunican por medio de la línea eléctrica. Se requiere un acoplador de fase si el control del regulador LinkLogic® y el dispositivo maestro (como la campana habilitada por LinkLogic® o el control SamrtSense®) están cableados en fase eléctrica opuestas. Los dispositivos de ventilación "conectados" funcionan como un sistema coordinado para garantizar que la casa se ventile de una manera óptima, con uso eficiente de energía.



Cablee el sistema como se ilustra.

INSTRUCCIONES PARA EL ENLACE DE CONTROL LINKLOGIC® DEL REGULADOR

1. Los dispositivos LinkLogic® se comunican por medio de la línea eléctrica. Se requiere un acoplador de fase si el control del regulador LinkLogic® y el dispositivo maestro (como la campana habilitada por LinkLogic® o el control SmartSense®) están cableados en fases eléctricas opuestas.



2. Asegúrese de que la energía eléctrica esté aplicada al control del regulador LinkLogic® y al dispositivo maestro.
3. Inicie el proceso del enlace del dispositivo maestro según sus instrucciones de instalación.
4. Ante la indicación, presione el botón de configuración (SET) durante 3 segundos para activar el modo del enlace de control del regulador.
5. Después de salir del modo de enlace del dispositivo maestro, encienda y apague el dispositivo maestro y verifique que el control del regulador encienda y apague según corresponda. Después de establecer el enlace, el control del regulador mantendrá su estado inicial hasta que el dispositivo maestro se encienda y apague. El LED de control del regulador se enciende cuando se abre el regulador y se apaga cuando se cierra el regulador.
6. Si la campana habilitada por LinkLogic® no hace que se encienda y apague el control del regulador, verifique que los puentes PLM (módem de línea eléctrica) estén instalados adecuadamente. Consulte las instrucciones de instalación de la campana y el PLM. Un contratista calificado en HVAC también debe asegurarse la operación adecuada y la ventilación de todo el equipo de combustión en la casa.
7. El control del regulador LinkLogic® se puede enlazar a múltiples dispositivos maestros. Si el control del regulador no se apaga con el dispositivo maestro recién enlazado, asegúrese de que no haya otro dispositivo encendido, lo cual ocasionaría que el regulador se mantenga encendido (abierto).

8. Para borrar los enlaces de control del regulador y regresar al estado predeterminado de fábrica, haga lo siguiente:
 - a. Desconecte la electricidad del control del regulador.
 - b. Presione y sostenga el botón SET durante 10 segundos (el LED puede iluminarse cuando se presione el botón SET y luego reducir su intensidad hasta apagarse).
 - c. Continúe sosteniendo el botón SET y active la energía.
 - d. El LED debe estar encendido al presionar el botón SET y al aplicar la energía.
 - e. Después de 3 segundos, suelte el botón SET.
 - f. Después de 3 segundos, el LED debe encenderse.
 - g. Si el LED no se enciende, repita este proceso.

MANTENIMIENTO

Es necesario realizar mantenimiento con regularidad para garantizar la operación adecuada del sistema del regulador. De no realizar dicho procedimiento de rutina se podría poner en riesgo la capacidad del regulador de introducir aire fresco hacia la casa. El mantenimiento regular debe incluir las siguientes actividades:

- Limpie la malla para pájaros exterior para asegurar que esté libre de residuos y que se abra para permitir que entre el aire fresco.
- Limpie o reemplace los filtros interiores que sirven para filtrar el aire fresco antes de que entre en la casa.
- Mantenga una abertura despejada de la tapa del extremo al exterior, lo cual significa prevenir la acumulación de nieve, hojas o vegetación en dicha tapa.
- Durante el mantenimiento regular del HVAC, pida al contratista mecánico que inspeccione la operación adecuada del sistema del regulador.

PREGUNTAS FRECUENTES

1. ¿Qué hace el regulador de aire automático de repuesto Broan?

El regulador de aire automático de repuesto Broan (el “regulador”) proporciona una trayectoria para que el aire fresco entre a una casa desde el exterior cuando funcione un dispositivo de extracción compatible. El regulador se abre cuando funciona una campana BEST o Broan compatible, con lo cual se genera un punto conocido y controlado para que entre el aire fresco a la casa mientras se extrae el aire del edificio mediante la campana.

Al funcionar de esta manera, el regulador brinda dos beneficios clave para la casa:

- Facilita el intercambio de aire entre el interior y el exterior, ayudando para permitir que el aire fresco hacia la casa reemplazce el aire que se extrae de la casa.
- Al permitir aire fresco hacia el edificio cuando se enciende un dispositivo de extracción compatible, el regulador ayuda a evitar las condiciones de presión negativa dentro de la casa que pueden interferir con la operación adecuada del equipo de combustión dentro de la casa.

En general, el regulador permite que sus dispositivos de extracción Broan o BEST realicen su función con más eficacia y sin interferir con la operación adecuada de los demás sistemas de la casa.

2. ¿Suministra el “regulador” aire de combustión para aparatos de combustión como un calentador de agua o una caldera?

No. El regulador ayuda a reemplazar el aire que se extrae mediante una campana compatible. Pero NO ayuda a reemplazar el aire que se extrae del interior mediante un aparato de combustión como un calentador de agua de gas natural, y no debe confiar en que realizará esta función. Una razón importante para esta restricción es que el regulador se abre solamente cuando funciona la campana que tiene conectada. Así que no hay garantía de que el regulador se abriría cuando funcionen otros electrodomésticos, como un calentador de agua. Se deben suministrar otros medios para garantizar el aire de combustión adecuado para estos aparatos.

3. ¿Cómo sé si necesito aire de repuesto para mi campana?

En algunos casos el código local para edificios le puede indicar si es necesario el aire de repuesto. Por ejemplo, algunos códigos especifican que las campanas extraerán flujos de 300 pies cúbicos por minuto o superiores si se necesita que un sistema mecánico introduzca aire de repuesto.

En otros casos, es deseable contar con aire de repuesto para una campana, sin importar si lo requiere el código o no. Esto se cumple en especial para:

- Campanas de mayor tamaño (superiores a 300 cfm)
- Casas que están bien selladas en cuanto al aire, de tal modo que el aire exterior no encuentra el camino fácilmente hacia la casa por las grietas para reemplazar el aire que se extrae.
- Casas con aparatos de combustión ventilados a la atmósfera (es decir, un calentador de agua o una chimenea con tiro natural) que son más susceptibles para mejorar la ventilación si la despresurización ocurre en casa.

Se aconseja el aire de repuesto en casas con cualquiera de estos factores. Y en casas con más de una de estas condiciones se aconseja encarecidamente el aire de repuesto para la campana.

4. ¿Cuáles son los beneficios de suministrar aire de repuesto para reemplazar el aire que se extrae de la casa mediante una campana?

Las campanas están diseñadas para extraer contaminantes como olores de cocinado o humedad en la fuente, de tal manera que no perduren en la casa. Debido a que estos ventiladores extraen el aire de la casa, es necesario reemplazar este aire con aire “nuevo” del exterior. Normalmente, este aire de repuesto entra a la casa a través de grietas y orificios en la “armazón” del edificio. Pero las casas modernas están mucho más selladas para el aire, así que no hay tantas grietas y aberturas. Además, algunos ventiladores de extracción, como los de las campanas, extraen mucho más aire del que se puede reemplazar a través de las grietas normales de la armazón del edificio.

Al suministrar una abertura diseñada intencionalmente para que el aire fresco reemplace el aire extraído por la campana, resultan varios beneficios importantes:

- El aire de repuesto que entra a la casa llega a un punto conocido, donde también se filtra.
- Se previenen las condiciones de presión negativa, que también podrían surgir si el aire se extrae de una casa sin que se reemplace con aire fresco nuevo.
- Los contaminantes se extraen con más eficacia de la casa mientras que el aire fresco de repuesto se lleva a la casa, mejorando la ventilación.

5. ¿Requiere el ASHRAE 62.2-2007 “Calidad de la ventilación y del aire en interiores en edificios residenciales de baja elevación” el uso de un regulador de aire de repuesto?

La norma ASHRAE 62.2-2007 no requiere específicamente reguladores de aire de repuesto. En algunas circunstancias limitadas, esta norma requiere que se limiten los flujos de extracción netos de una casa. Por ejemplo, la sección 6.4 de la norma limita el flujo de extracción neto de los dos aparatos de extracción más grandes de la casa si ésta tiene aparatos que queman combustible sólido o se ventean con la atmósfera y que estén situados dentro del límite de presión de la casa. Esta norma está disponible en www.ashrae.org.

6. ¿Puedo usar el regulador de aire automático de repuesto Broan con otros equipos en mi casa?

No. El regulador Broan sólo se puede usar con campanas BEST o Broan compatibles. En la Guía de aplicación del regulador de aire automático de repuesto Broan puede encontrar más información sobre los modelos exactos del regulador y de dispositivos de extracción compatibles.

7. ¿Cuáles son las diferentes maneras en que se puede instalar el regulador en mi casa?

La manera más usual de instalar el regulador es conectarlo al sistema de conductos centrales de la casa. En esta aplicación, el aire fresco exterior entra a la casa a través del regulador y luego se encamina y se distribuye a través de los conductos de la casa. En la Guía de aplicación del regulador de aire automático de repuesto Broan o en nuestro sitio Web: www.broan.com puede encontrar más información sobre este criterio de aplicación.

8. ¿Qué pasa si mi casa no tiene conductos?

Las casas sin conductos pueden utilizar el regulador para ayudar a reemplazar el aire que se extrae de la casa mediante la campana. En la Guía de aplicación del regulador de aire automático de repuesto Broan o en nuestro sitio Web: www.broan.com puede encontrar una ilustración de la instalación para este caso.

9. ¿Qué pasa después de un corte de energía?

El sistema del regulador y los dispositivos de extracción relacionados no perderán sus ajustes después de un corte de energía. Así que el sistema reanudará su operación normal después de un corte de energía, con base en los ajustes que usó antes del corte.

