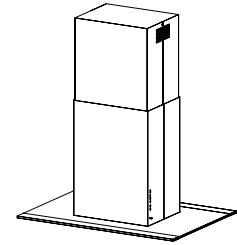


INTESA ICF6IQ SERIES RANGE HOOD



A glass canopy provides a simple, yet elegant, detail that adds a sparkle to all it surrounds. Intesa island hood seems to float in space, its form in total agreement with its surroundings.

FEATURES

- Italian design
- Ceiling mounted island hood
- Finishes: 430 Stainless Steel, #4 Brushed
- Width: 39-3/8 in.
- Ducted/non-ducted telescopic flue accommodates 8' to 9' ceilings (Purchase non-duct recirculation kit separately.)
- 8" round duct connector/backdraft damper
- 1-level LED lighting (4 LED modules, 6 Watts each)
- Four speed electronic pushbutton controls
- Remote control included
- Quiet iQ6 blower system with high-efficiency BLDC motor
- Heat Sentry™ - automatically turns blower to high speed when excess cooking heat is detected
- Delay timer control automatically shuts off range hood after 10 minutes
- Special control indicates when it's time to clean the filter
- Dishwasher-safe filter features a quick-release latch
- For indoor use only

OPTIONS (Not included with hood. Purchase separately.)

- Non-ducted recirculation kit (Model ANKICF6)
- Charcoal filters (Model AFCICF6)
- Flue extension for 10-ft. to 11-ft. ceilings (ducted Model AEICF6SB, stainless steel)
- Universal make-up air damper (MD6TU, MD8TU, MD10TU)

SPECIFICATIONS

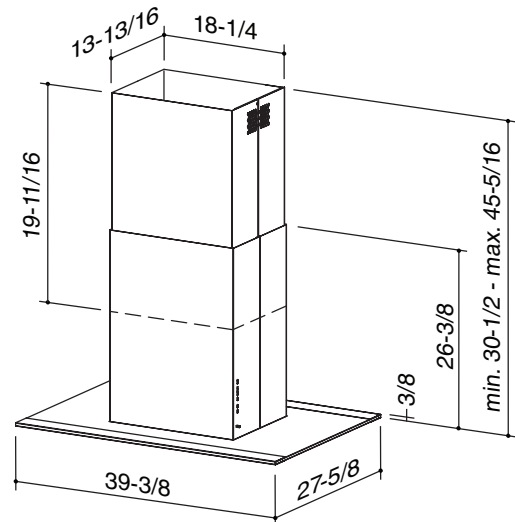
| VOLTS | AMPS | CFM / SONES (Boost) | CFM / SONES (High Speed) | CFM / SONES (Med. Speed) | CFM / SONES (Low Speed) | DUCT |
|-------|------|------------------------|-----------------------------|-----------------------------|----------------------------|----------|
| 120 | 4.0 | 500 / 6.0 | 365 / 3.5 | 230 / 1.0 | 120 / <0.3 | 8" round |

This product was tested by Broan-NuTone for airflow performance using the ANSI/AMCA 210 Standard, which is equivalent to the Home Ventilating Institute HVI 916 - Procedure for Air Flow Testing, and tested for sound performance using the ANSI S12.51 Standard, which is equivalent to the Home Ventilating Institute HVI 915 - Procedure for Loudness Rating of Residential Fan Products.

BEST Hartford, Wisconsin www.BestRangeHoods.com 800-558-1711
 BEST Drummondville, QC, Canada www.BestRangeHoods.com 866-737-7770

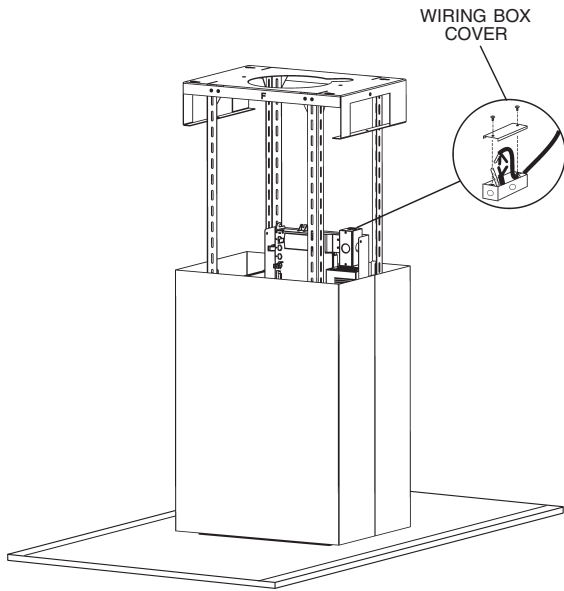
iQ6 - 600 CFM Blower System providing:

- Best in class quiet operation.
- Up to 30% faster smoke and odor removal than comparable models.
- Up to 22x more energy efficient than comparable models.
- Guaranteed Performance System (GPS) technology calibrates the hood system to every installation to provide up to 30% more CFM than standard range hoods.
- Using a duct reducer with this hood may prevent the product from calibrating.

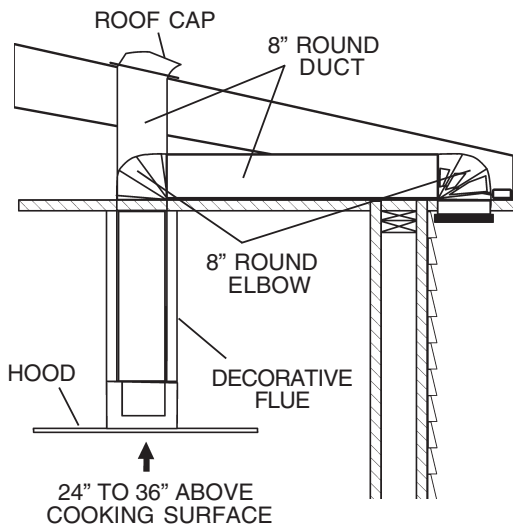


| REFERENCE | QTY. | REMARKS | Project |
|-----------|------|---------|--------------|
| | | | Location |
| | | | Architect |
| | | | Engineer |
| | | | Contractor |
| | | | Submitted by |
| | | | Date |

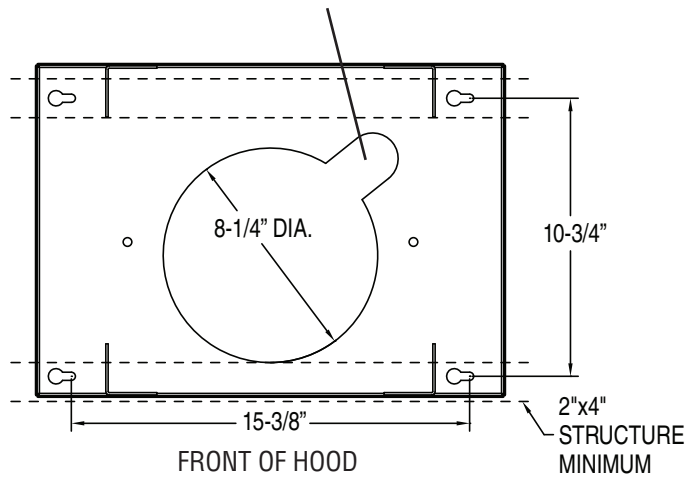
ICF6IQ SERIES WIRING



ICF6IQ SERIES MOUNTING



LOCATION FOR INCOMING POWER TO HOOD.
 PROVIDE 36-IN. OF WIRE FOR 8-FT. TO 9-FT. CEILINGS
 AND 60-IN. OF WIRE FOR 10-FT. TO 11-FT. CEILINGS.



MOUNTING AT CEILING

| CEILING HEIGHT | DUCT METHOD | HOOD DISTANCE ABOVE 36" HIGH COOK TOP (see notes below) | | | | | | | | | | | | | |
|--------------------------|-------------|---|-----|-----|-----|-----|-----|-----|-----|-----|-----|-----|-----|-----|--|
| | | 24" | 25" | 26" | 27" | 28" | 29" | 30" | 31" | 32" | 33" | 34" | 35" | 36" | |
| 8 FEET | Ducted | X | X | X | X | X | X | --- | --- | --- | --- | --- | --- | --- | |
| | Non-Ducted | --- | --- | --- | --- | --- | --- | --- | --- | --- | --- | --- | --- | --- | |
| 9 FEET | Ducted | --- | --- | --- | X* | X* | X* | X* | X | X | X | X | X | X | |
| | Non-Ducted | --- | --- | --- | X | X | X | X | X | X | X | X | X | X | |
| 10 FEET (see note b.) | Ducted | X | X | X | X | X | X | X | X | X | X | X | X | X | |
| 11 FEET (see note b.) | Ducted | X | X | X | X | X | X | X | X | --- | --- | --- | --- | --- | |

X Mounting height is possible.

X* Mounting height is possible, but non-duct opening exposed.

--- Mounting height is not possible.

a. Minimum hood distance above cook top must not be less than 24". A maximum of 36" above cook top is highly recommended for best capture of cooking impurities. Distances over 30" are at the installer and user's discretion; and if ceiling height and flue length permit.

b. Requires optional 10-ft. to 11-ft. flue extension, ducted model AEICF6SB.

