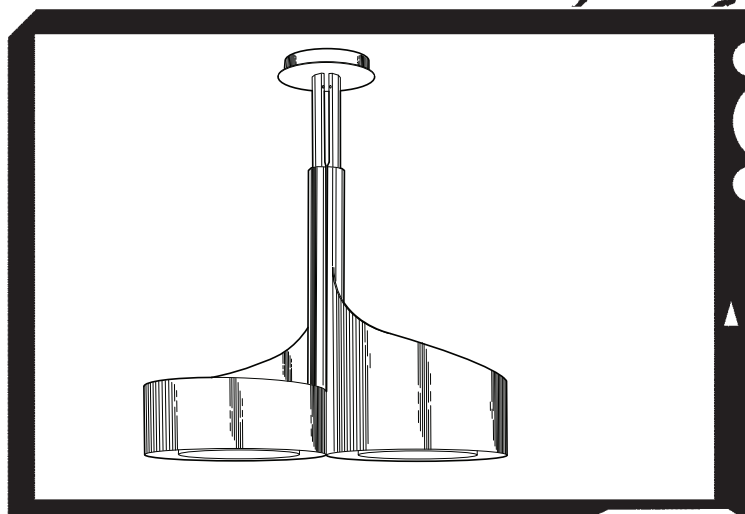


best®



Model IM32I100SP

ENGLISH	2
FRANÇAIS	21
ESPAÑOL	41

In USA - BEST Hartford, Wisconsin

In CANADA - BEST Drummondville, QC, Canada

REGISTER YOUR PRODUCT ONLINE AT : www.BestRangeHoods.com/register
For additional Information visit www.BestRangeHoods.com

READ AND SAVE THESE INSTRUCTIONS

 **INTENDED FOR DOMESTIC COOKING ONLY** 

WARNING

TO REDUCE THE RISK OF FIRE, ELECTRIC SHOCK, OR INJURY TO PERSONS, OBSERVE THE FOLLOWING:

1. Use this unit only in the manner intended by the manufacturer. If you have questions, contact the manufacturer at the address or telephone number listed in the warranty.
2. Before servicing or cleaning unit, switch power off at service panel and lock service panel to prevent power from being switched on accidentally. When the service disconnecting means cannot be locked, securely fasten a prominent warning device, such as a tag, to the service panel.
3. Installation work and electrical wiring must be done by a qualified person(s) in accordance with all applicable codes and standards, including fire-rated construction codes and standards.
4. Sufficient air is needed for proper combustion and exhausting of gases through the flue (chimney) of fuel burning equipment to prevent backdrafting. Follow the heating equipment manufacturer's guidelines and safety standards such as those published by the National Fire Protection Association (NFPA), and the American Society for Heating, Refrigeration and Air Conditioning Engineers (ASHRAE), and the local code authorities.
5. When cutting or drilling into wall or ceiling, do not damage electrical wiring and other hidden utilities.
6. Ducted fans must always be vented to the outdoors.
7. Do not use this unit with any separate solid-state speed control device.
8. To reduce the risk of fire, use only metal ductwork.

GROUNDING INSTRUCTIONS

This appliance must be grounded. In the event of an electrical short circuit, grounding reduces the risk of electrical shock by providing an escape wire for the electric current. This appliance is equipped with a cord having a grounding wire with a grounding plug. The plug must be plugged into an outlet that is properly installed and grounded.

WARNING - Improper grounding can result in a risk of electric shock.

Consult a qualified electrician if the grounding instructions are not completely understood, or if doubt exists as to whether the appliance is properly grounded.

Do not use an extension cord. If the power supply cord is too short, have a qualified electrician install an outlet near the appliance.

WARNING

TO REDUCE THE RISK OF A RANGE TOP GREASE FIRE:

- A. Never leave surface units unattended at high settings. Boilovers cause smoking and greasy spillovers that may ignite. Heat oils slowly on low or medium settings.
- B. Always turn hood ON when cooking at high heat or when flambéing food (i.e. Crepes Suzette, Cherries Jubilee, Peppercorn Beef Flambé).
- C. Clean ventilating fans frequently. Grease should not be allowed to accumulate on fan or filter.
- D. Use proper pan size. Always use cookware appropriate for the size of the surface element.

TO REDUCE THE RISK OF INJURY TO PERSONS IN THE EVENT OF A RANGE TOP GREASE FIRE, OBSERVE THE FOLLOWING:*

1. SMOTHER FLAMES with a close-fitting lid, cookie sheet, or metal tray, then turn off the burner. BE CAREFUL TO PREVENT BURNS. If the flames do not go out immediately, EVACUATE AND CALL THE FIRE DEPARTMENT.
2. NEVER PICK UP A FLAMING PAN - You may be burned.
3. DO NOT USE WATER, including wet dishcloths or towels - violent steam explosion will result.
4. Use an extinguisher ONLY if:
 - A. You know you have a Class ABC extinguisher and you already know how to operate it.
 - B. The fire is small and contained in the area where it started.
 - C. The fire department is being called.
 - D. You can fight the fire with your back to an exit.

* Based on "Kitchen Fire Safety Tips" published by NFPA.

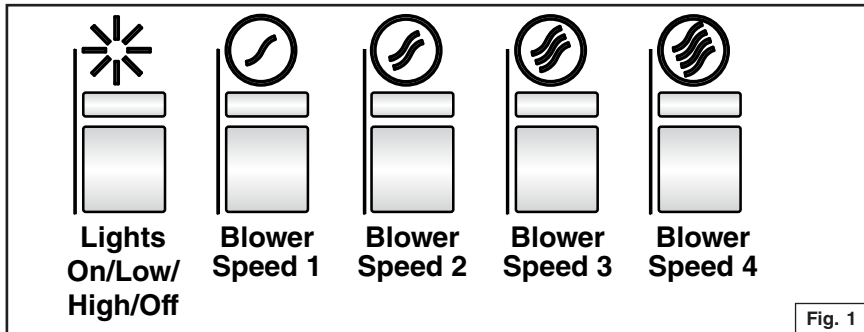
CAUTION

1. For indoor use only.
2. To reduce risk of fire and to properly exhaust air, be sure to duct air outside. Do not vent exhaust air into spaces within walls or ceilings or into attics, crawl spaces, or garages.
3. Take care when using cleaning agents or detergents.
4. Avoid using food products that produce flames under the Range Hood.
5. For general ventilating use only. Do not use to exhaust hazardous or explosive materials and vapors.
6. To avoid motor bearing damage and noisy and/or unbalanced impellers, keep drywall spray, construction dust, etc. off power unit.
7. Your hood motor has a thermal overload which will automatically shut off the motor if it becomes overheated. The motor will restart when it cools down. If the motor continues to shut off and restart, have the hood serviced.
8. For best capture of cooking impurities, the bottom of the hood should be a minimum of 24" and a maximum of 30" above the cooking surface. See "Install Mounting Bracket" section for mounting restrictions.
9. Two installers are recommended because of the large size and weight of this hood.
10. This product is equipped with a thermostat which may start blower automatically. To reduce the risk of injury and to prevent power from being switched on accidentally, switch power off at service panel and lock or tag service panel.
11. Please read specification label on product for further information and requirements.

OPERATION

Controls

The hood is operated using the (5) push buttons located on the underside of the hood. Fig. 1.



Ten Minute Delay

Press Blower Speed 1, Blower Speed 2, or Blower Speed 3 for two seconds when the blower is running at the selected speed. The LED below the button will start blinking to display the delay function. After ten minutes the blower will automatically turn off. If you change the speed while the timer is running, the function will not deactivate. To deactivate the function, press the button with the blinking LED for two seconds. Note: The delay is not available for Blower Speed 4.

Filter Alarm

After 30 hours of blower operation, the grease filter alarm is activated and all of the LED indicators will turn on. The alarm is activated when the motor is off and the LEDs will remain on for 30 minutes. To deactivate the alarm, press any of the control buttons for two seconds while the LEDs are on.

After 120 hours of blower operation the charcoal filter alarm is activated and all of the LED indicators will blink, indicating the charcoal filters need to be replaced. The alarm is activated when the motor is off and the LEDs will remain on for 30 minutes. To deactivate the alarm, press any of the control buttons for two seconds while the LEDs are on.

HEAT SENTRY™

Your hood is equipped with a HEAT SENTRY™ thermostat. This thermostat is a device that will turn on or speed up the blower if it senses excessive heat above the cooking surface.

1) If blower is OFF - it turns blower ON to HIGH speed.

2) If blower is ON at a lower speed setting - it turns blower up to HIGH speed.

When the temperature level drops to normal, the blower will return to its original setting.

WARNING

The HEAT SENTRY™ thermostat can start the blower even if the hood is turned OFF. When this occurs, it is impossible to turn the blower OFF with its switch. If you must stop the blower, do it from the main electrical panel.

HALOGEN BULBS

This range hood requires six halogen bulbs (Type T3, 12 Volt, 20 Watt Max, G4 Base).

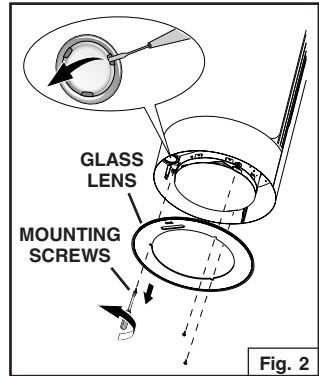
⚠ WARNING: Always switch off the electrical supply before carrying out any operation on the appliance.

To change bulbs:

1. Remove the glass lens by removing the (3) mounting screws. Fig. 2.
2. Carefully drop down the glass lens without putting any strain on the control wires.

⚠ CAUTION: Bulbs may be hot.

3. Open the cover by prying from the proper slots. Do not touch replacement bulbs with bare hands!
4. Replace with Type T3, 12 Volt, 20 Watt Max G4 Base halogen bulbs.



CLEANING AND MAINTENANCE

Proper maintenance of the Range Hood will assure proper performance of the unit.

Motor

The motor is permanently lubricated and never needs oiling. If the motor bearings make excessive or unusual noise, replace the motor with the exact service motor. The impeller should also be replaced.

Grease Filters

The grease filters should be cleaned frequently, typically when the filter alarm turns on. Use a warm dishwashing detergent solution. Grease filter is dishwasher safe.

Clean all-metal filters in the dishwasher using a non-phosphate detergent. Discoloration of the filter may occur if using phosphate detergents, or as a result of local water conditions - but this will not affect filter performance. This discoloration is not covered by the warranty. See "INSTALL FILTERS" section for removal and installation instructions.

Non-ducted Recirculation Filter

The non-ducted recirculation filter should be changed every 6 months. Replace more often if your cooking style generates extra grease, such as frying and wok cooking. See "INSTALL FILTERS" section, on page 15, for removal and installation instructions.

Stainless Steel Cleaning

DO:

- Regularly wash with clean cloth or rag soaked with warm water and mild soap or liquid dish detergent.
- Always clean in the direction of original polish lines.
- Always rinse well with clear water (2 or 3 times) after cleaning. Wipe dry completely.
- You may also use a specialized household stainless steel cleaner.

DON'T:

- Use any steel or stainless steel wool or any other scrapers to remove stubborn dirt.
- Use any harsh or abrasive cleansers.
- Allow dirt to accumulate.
- Let plaster dust or any other construction residues reach the hood. During construction/renovation, cover the range hood to make sure no dust sticks to the stainless steel surface.

Avoid: When choosing a detergent

- Any cleaners that contain bleach will attack stainless steel
- Any products containing: chloride, fluoride, iodide, bromide will deteriorate surfaces rapidly.
- Any combustible products used for cleaning such as acetone, alcohol, ether, benzol, etc., are highly explosive and should never be used close to a range.

PREPARE THE HOOD

Unpack hood and check contents.

You should receive:

- 2 - Power Unit
- 1 - Ceiling Canopy
- 2 - Decorative Shroud
- 1 - Telescopic Mounting Arm
- 2 - Glass Gasket
- 2 - Glass Trim
- 2 - Lower Support Arms
- 2 - Bracket
- 2 - Upper Arm Cover
- 2 - Lower Arm Cover
- 6 - Lag Bolts, M6 x 60

- 6 - Washers, 12.5 mm
- 10 - Large Head Torx Screws, M4 x 20
- 6 - Decorative Step Screws, M4 x 16
- 4 - Pan Head Screws, M4 x 20
- 12 - Flat Head Screws, M4 x 6
- 4 - Black Sheet Metal Screws, M3 x 13
- 4 - Thumb Screws, M4 x 24
- 2 - Set Screw Kit containing:
 - 12 - M6 Set Screws
 - 1 - Allen Wrench
- 1 - Mounting Template
- 1 - Installation Instructions

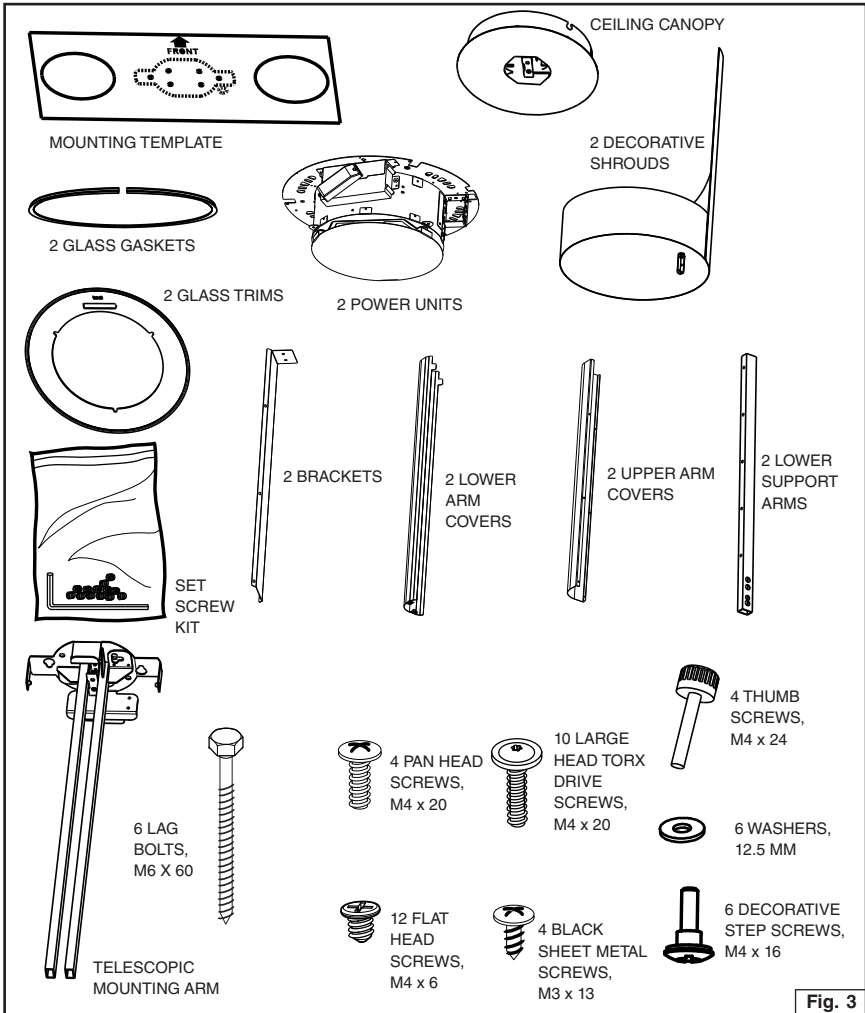
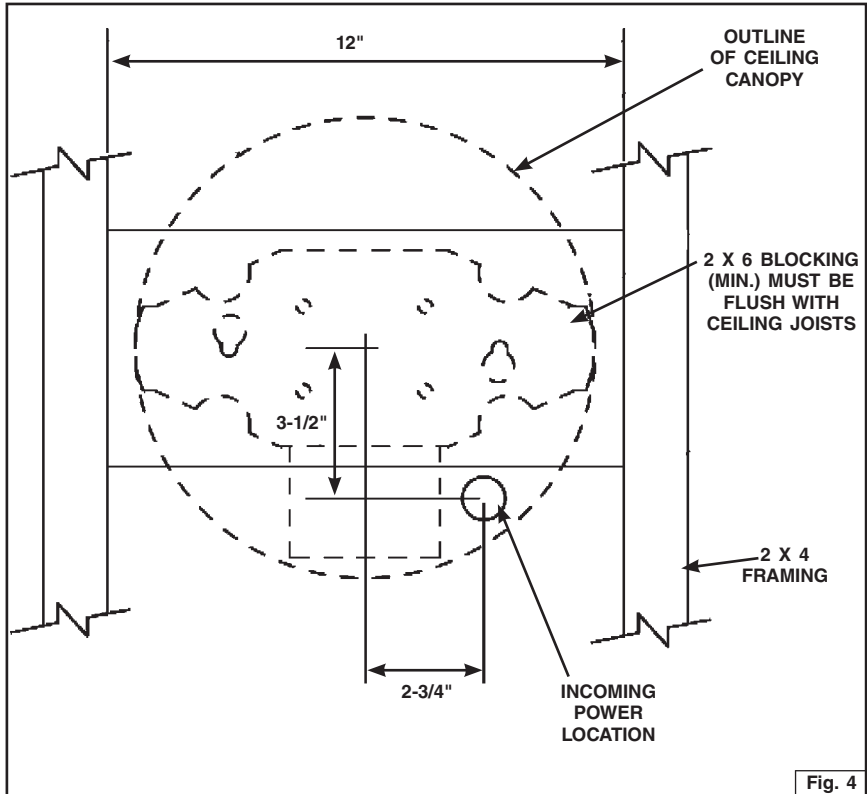


Fig. 3

STRUCTURAL REQUIREMENTS

The total weight of the hood is 100 lbs. as supplied. Special structure considerations must be made to ensure proper installation. The mounting brackets need to be mounted to 2" nominal lumber. Hollow wall anchors should not be used at any time. Fig. 4.

ROUGH-IN DETAILS



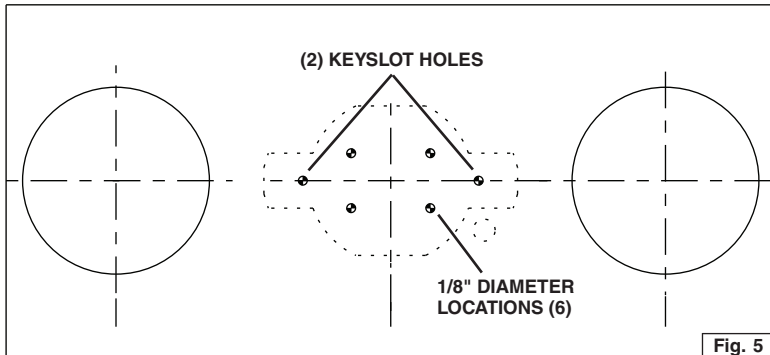
ROUGH-IN ELECTRICAL

This hood is hard wired via a junction box located in the hood canopy. Incoming power should be located as shown on the drawings above.

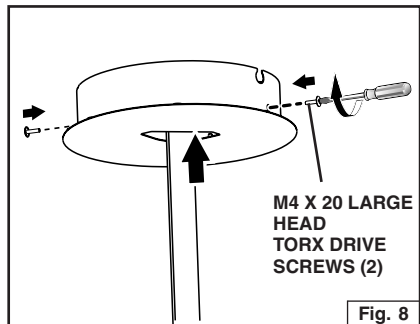
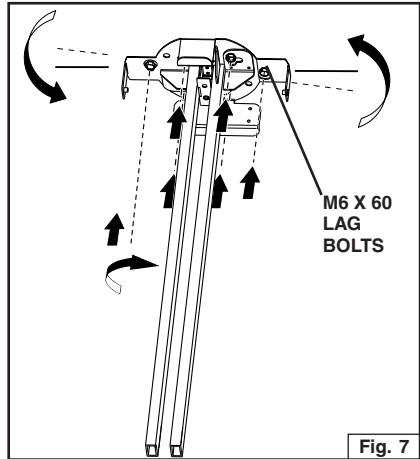
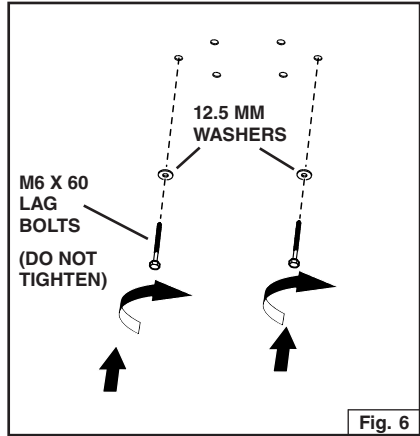
⚠ WARNING: Electrical wiring must be done by a qualified person in accordance with all applicable codes and standards.

MOUNT TELESCOPIC MOUNTING ARM

1. Tape the mounting template in place and drill (6) 1/8" (3 mm) diameter holes at the center locations shown. Fig. 5. When complete remove template from ceiling.

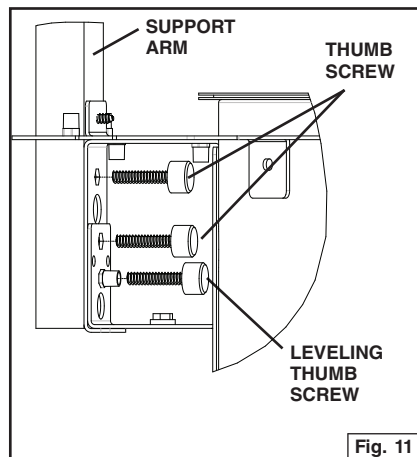
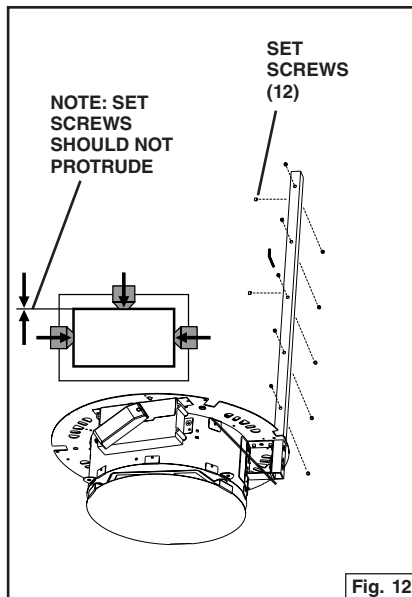
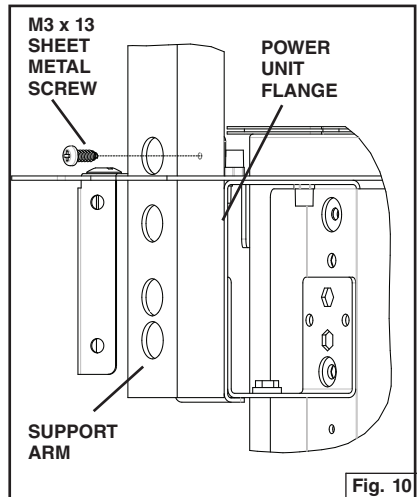
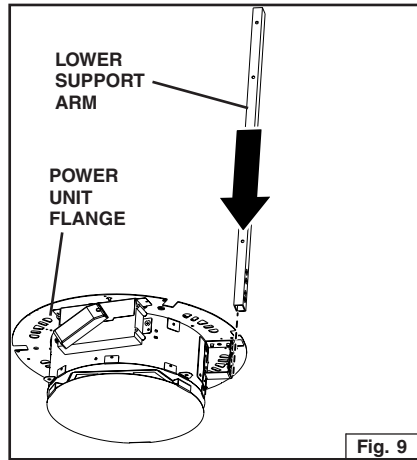


2. Install (2) M6 x 60 lag bolts with (2) 12.5 mm washer on each into the keyslot holes drilled in Step 1. Do not tighten bolts. Fig. 6.
3. Mount the telescopic arm. Attach with the installed (2) M6 x 60 lag bolts - mount the two key hole slots and rotate arm. Make sure the arms are perpendicular to the ceiling. Tighten (2) lag bolts. Fig. 7.
4. Attach the remaining four (4) M6 x 60 lag bolts per arm. Fig. 7.
5. Temporarily install the ceiling canopy and attach with (2) M4 x 20 large head torx drive screws. (You will need to remove it when making electrical connections.) Fig. 8.



MOUNT POWER UNITS

1. Attach the lower support arms to each power unit. Slide the support arm through the slot in power unit flange. Fig. 9.
2. Attach the arm to the power unit flange with (1) M3 x 13mm sheet metal screw. Fig. 10.
3. Continue to attach arm to power unit with (2) M4 x 24mm thumb screws. Attach a third M4 x 24mm thumb screw to the threaded insert in the power unit flange. This screw will be used to level the power unit later. Fig. 11.
4. Insert 12 set screws into each lower support arm. Make sure the screws do not protrude into the inner section of the arm. Fig. 12.



5. Determine mounting height.

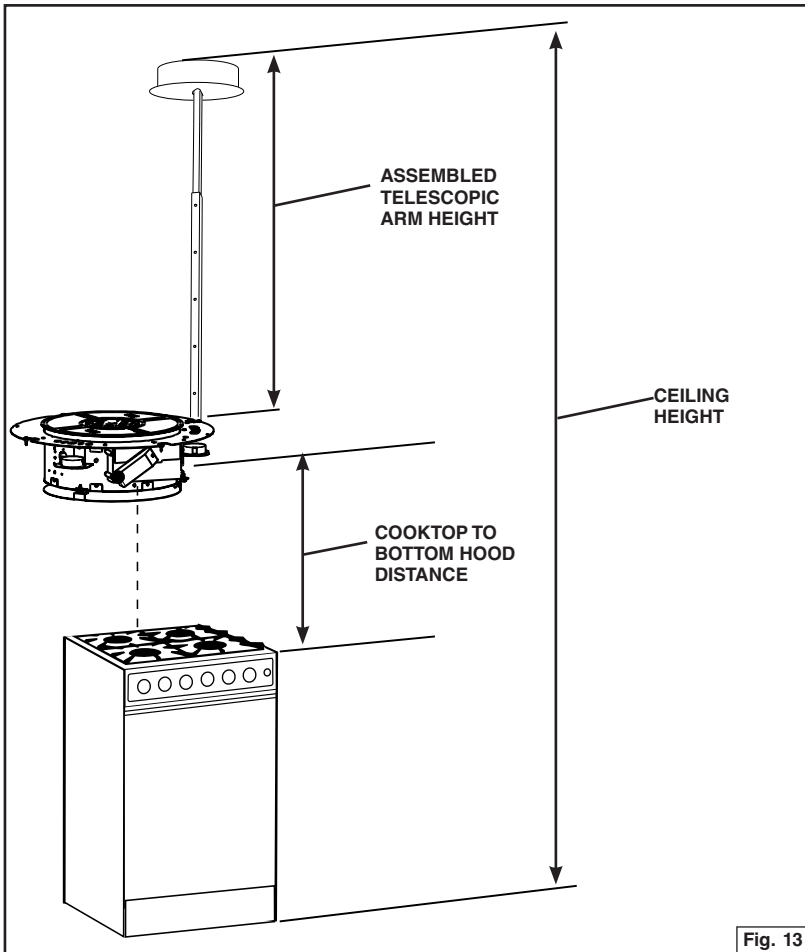
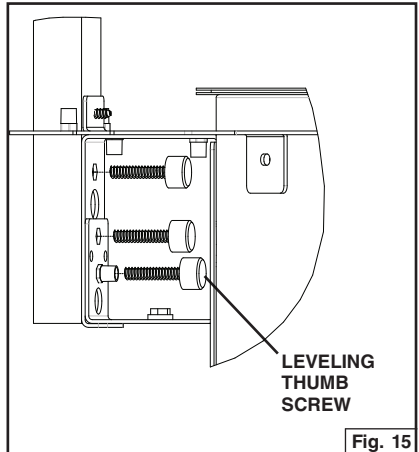
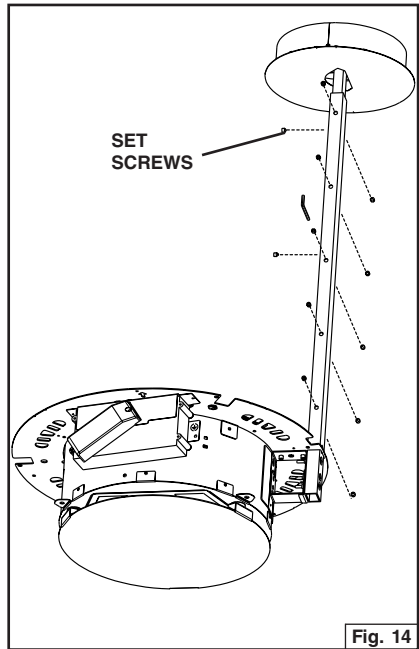


Fig. 13

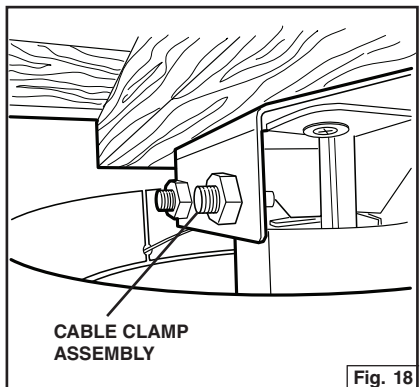
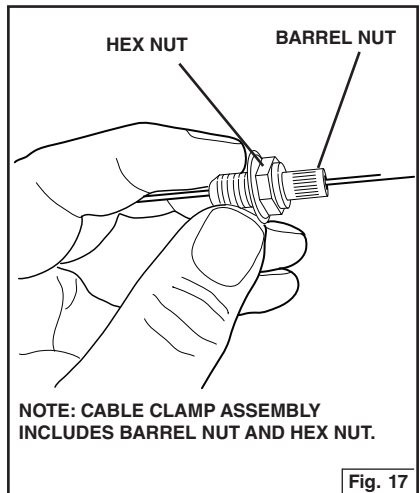
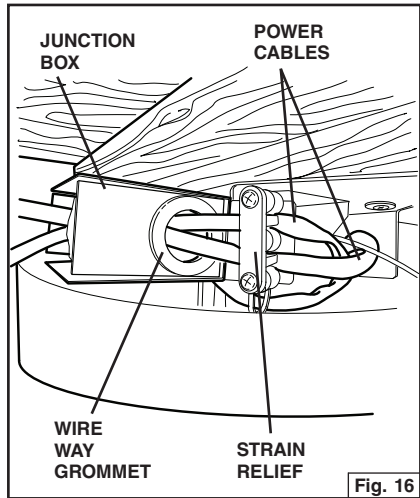
Ceiling Height	Distance Cooktop to Bottom of Hood	Height of assembled telescopic arm assembly
8 ft	24"	33.25"
8 ft	25"	32.25"
8 ft	26"	31.25"
8 ft	27"	30.25"
9 ft	24"	45.25"
9 ft	26"	43.25"
9 ft	28"	41.25"
9 ft	29"	40.25"
9 ft	30"	39.25"

6. Install the lower support arm onto the upper arm at the desired mounting height. Tighten the set screws making sure at least (5) screws are in contact with the upper arm. Fig. 14. Repeat for the second unit.
7. Level the two units with the cook top surface using the leveling thumb screw. Fig. 15.



INSTALL WIRING

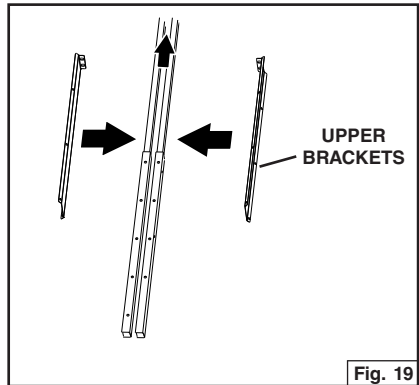
1. Drop the ceiling canopy. Feed the wires through the center of the ceiling canopy. Wire tie the two power cables to the support arms. Insert the wires onto the strain relief and into the junction box. Secure the wires by tightening the strain relief. Make the power connections Fig. 16.
2. Feed the wire safety cables through the center of the ceiling canopy and along the support arms and insert into the cable supports as shown in Fig. 17. Repeat for each power unit.
 - A. Push cable through support rods and into hood cavity.
 - B. Slide washer and cable clamp with barrel nut onto cable. Note that the barrel nut must be slightly backed off of cable clamp and pushed (spring compressed) when sliding assembly onto cable.
 - C. Push clamp assembly all the way to the top of the hood while pushing down on barrel nut. Fig. 17.
 - D. When assembly is all the way to the top inside of hood, completely tighten barrel nut. Fig. 18.
 - E. Cut excess cable off.



INSTALL UPPER BRACKETS

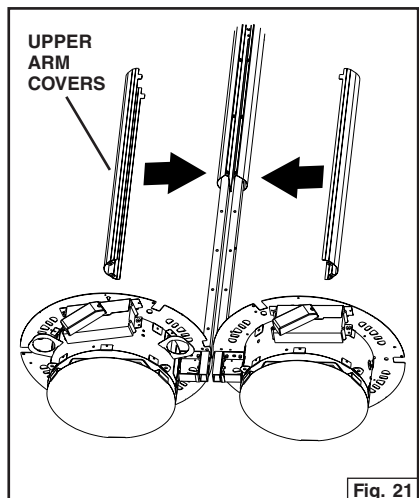
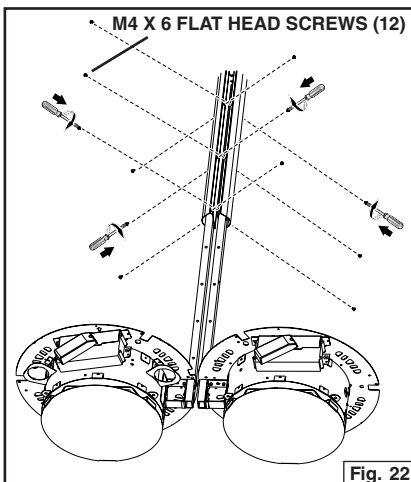
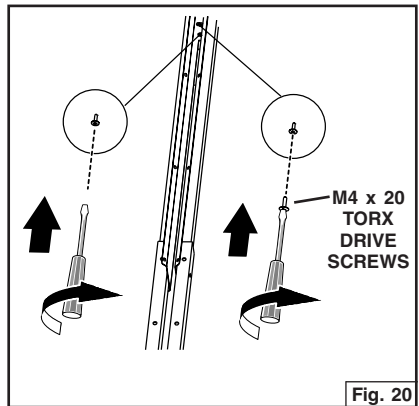
Note: Covers mount between the telescopic arm and mount on the ceiling bracket.

1. Install the Upper Brackets to the Telescopic Mounting Arm using (2) Large Head M4 x 20 Torx drive screws. Fig. 19 and Fig. 20. Remove the protective coating.

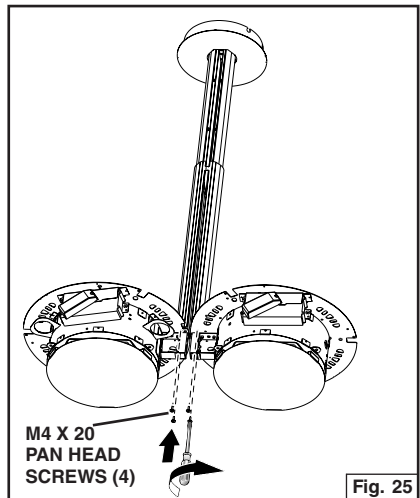
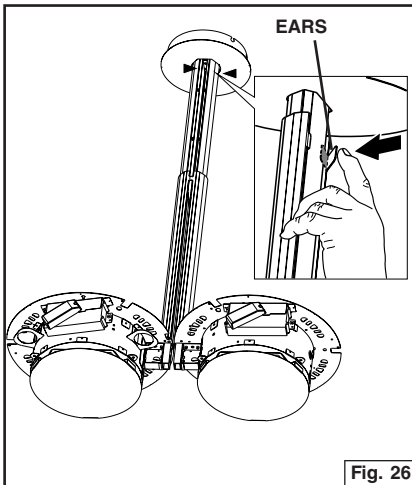
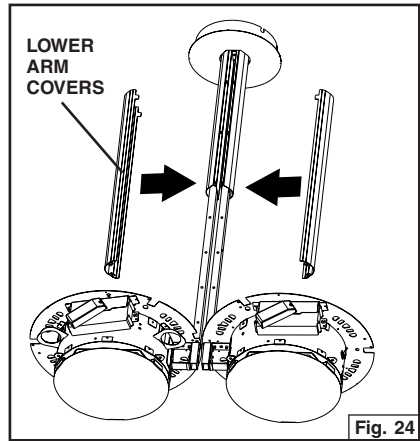
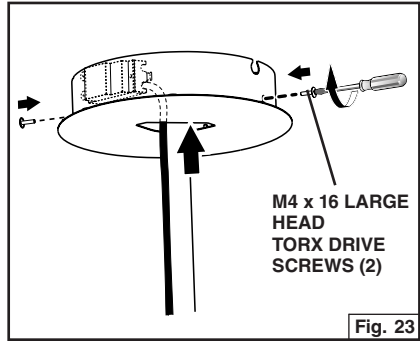


INSTALL ARM COVERS

1. Attach (2) Upper Arm Covers to the Upper Brackets with (12) M4 x 6 flat head screws. Remove the protective coating. Fig. 21 and Fig. 22.



2. Install the ceiling canopy and attach with (2) M4 x 20 large head torx drive screws. Fig. 23. Remove the protective coating.
3. Attach the Lower Arm Covers with (4) M4 x 20 pan head screws. Remove the protective coating. Fig. 24 and Fig. 25.
4. Bend the two ears on the Lower Arm Cover over the Upper Arm Cover. Repeat for the other cover. Fig. 26.



INSTALL DECORATIVE SHROUDS

1. First Slide the Shroud between the support arms. Make sure the attachment brackets are above the power unit flange. Fig. 27 and Fig. 28.
2. Turn the Decorative Shroud so that the shroud holes match up with the flange holes. Secure the Shroud with (3) M4 x 20 Large Head Torx Drive Screws. Fig. 29. Remove the protective coating. Repeat for the second shroud.

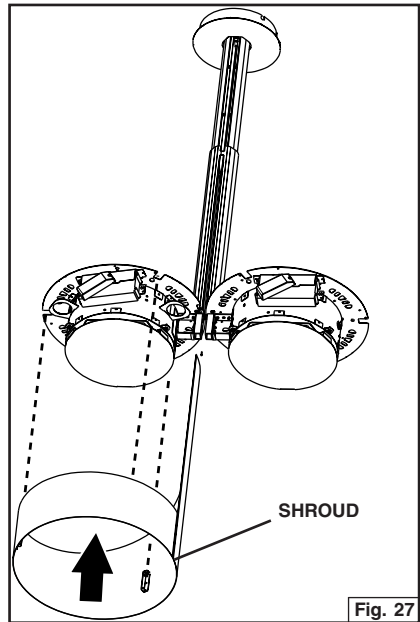


Fig. 27

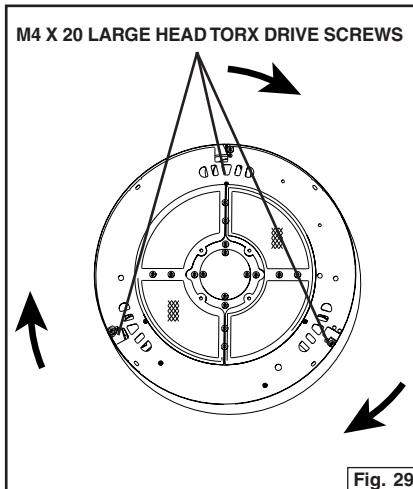


Fig. 29

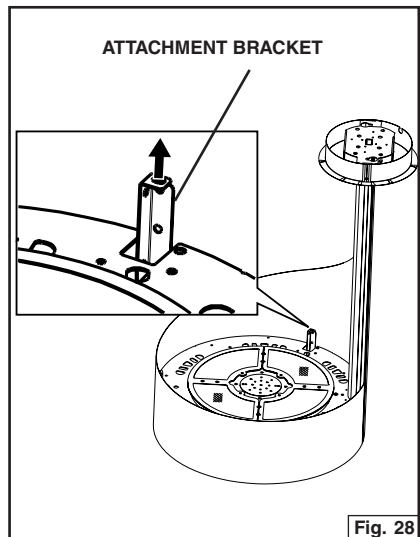
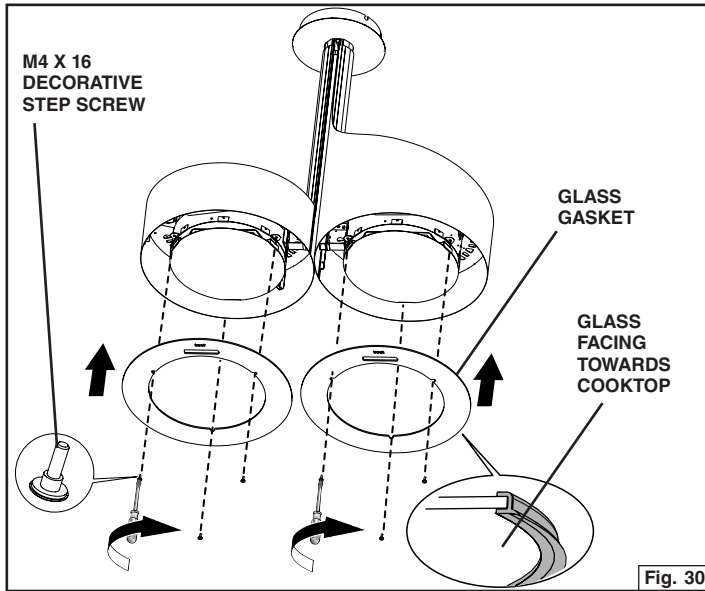
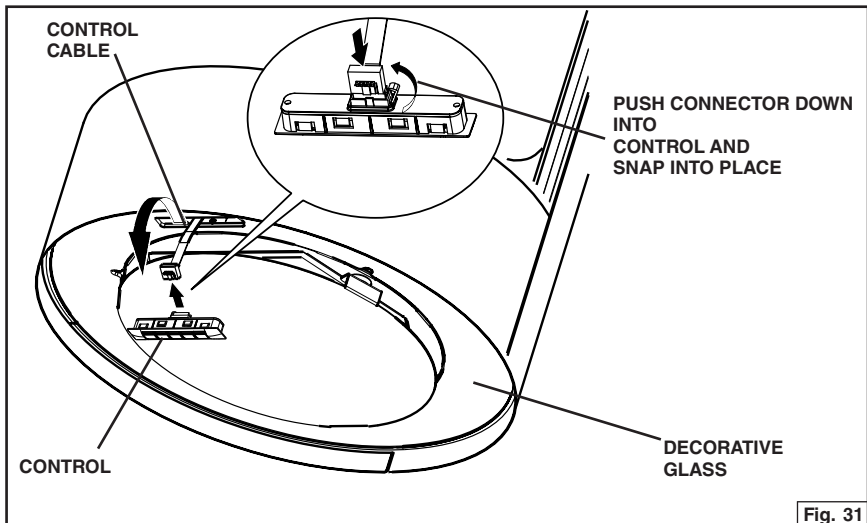


Fig. 28

3. Attach the Glass Gasket to the Glass as shown. Repeat for second glass. Fig. 30.
4. Pull the control wire thru the glass opening. Attach the Glass with (3) M4 x 16 Decorative Step Screws. Fig. 30. Repeat for second glass.

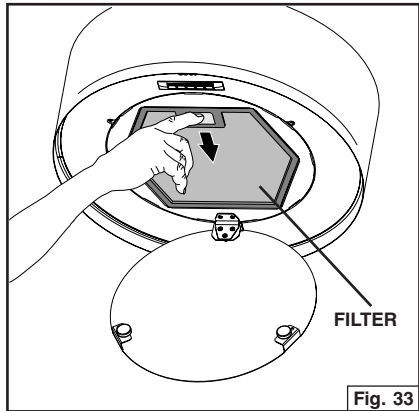
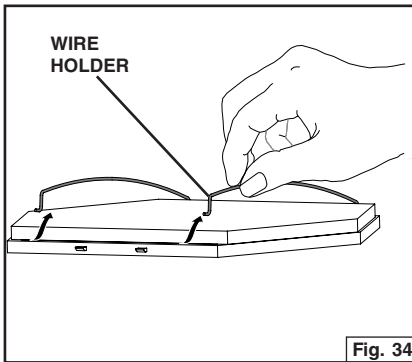
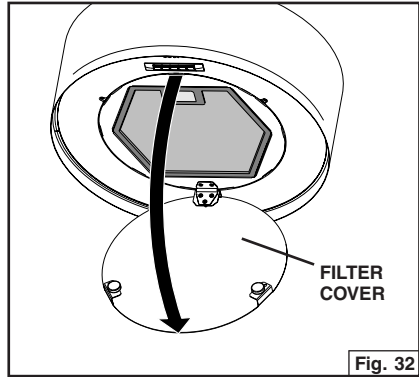


5. Attach the Control Cable to the Control. Fig. 31.
6. Snap the Control into the Decorative Glass. Fig. 31.



INSTALL FILTERS

1. Remove the filter; remove any protective coatings on the filters.
 - A. Swing filter cover down. Fig. 32.
 - B. Remove filter by pushing tab in and swing the filter down. Fig. 33.
 - C. Remove the charcoal filter by removing the wire holders from the main filter. Fig. 34.
2. Repeat step 1 and replace the filters.
3. Remove all protective coverings from the hood.



WARRANTY

ONE YEAR LIMITED WARRANTY FOR BEST PRODUCTS

Broan-NuTone LLC (Broan-NuTone) warrants to the original consumer purchaser of Best products that such products will be free from defects in materials or workmanship for a period of one year from the date of original purchase. THERE ARE NO OTHER WARRANTIES, EXPRESS OR IMPLIED, INCLUDING, BUT NOT LIMITED TO, IMPLIED WARRANTIES OR MERCHANT ABILITY OR FITNESS FOR A PARTICULAR PURPOSE.

During this one-year period, Broan-NuTone will, at its option, repair or replace, without charge, any product or part which is found to be defective under normal use and service.

THIS WARRANTY DOES NOT EXTEND TO FLUORESCENT LAMP STARTERS, TUBES, HALOGEN AND INCANDESCENT BULBS, FUSE, FILTERS, DUCTS, ROOF CAPS, WALL CAPS AND OTHER ACCESSORIES FOR DUCTING. This warranty does not cover (a) normal maintenance and service or (b) any products or parts which have been subject to misuse, negligence, accident, improper maintenance or repair (other than by Broan-NuTone), faulty installation or installation contrary to recommended installation instructions.

The duration of any implied warranty is limited to the one-year period as specified for the express warranty. Some states do not allow limitation on how long an implied warranty lasts, so the above limitation may not apply to you.

BROAN-NUTONE'S OBLIGATION TO REPAIR OR REPLACE, AT BROAN-NUTONE'S OPTION, SHALL BE THE PURCHASER'S SOLE AND EXCLUSIVE REMEDY UNDER THIS WARRANTY. BROAN-NUTONE SHALL NOT BE LIABLE FOR INCIDENTAL, CONSEQUENTIAL OR SPECIAL DAMAGES ARISING OUT OF OR IN CONNECTION WITH PRODUCT USE OR PERFORMANCE. Some states do not allow the exclusion or limitation of incidental or consequential damages, so the above limitation or exclusion may not apply to you.

This warranty gives you specific legal rights, and you may also have other rights, which vary from state to state. This warranty supersedes all prior warranties.

To qualify for warranty service, you must (a) notify Broan-NuTone at the address stated below or telephone number stated below, (b) give the model number and part identification and (c) describe the nature of any defect in the product or part. At the time of requesting warranty service, you must present evidence of the original purchase date.

In USA - Best®, 926 W. State Street, Hartford, WI 53027 (800-558-1711)
In Canada - Best®, 550 Lemire Blvd., Drummondville, QC J2C 7W9 (866-737-7770)
www.BestRangeHoods.com

SERVICE PARTS

KEY NO.	PART NO.	DESCRIPTION
1	B08092783	FRAME
5	B03115221	GRILL
9	B08087691	GREASE FILTER
14	B02300976	CONDENSER
26	B02300891	LAMP BULB
37	B02300804	KNOB
38	B03292357	ELECTRICAL CIRCUIT BOARD BOX
39	B03294033	ELECTRICAL CIRCUIT BOARD BOX COVER
48	B02310731	MOTOR (CLOCKWISE)
50	B03294349	BLOWER BRACKET
53	B03204177	RUBBER WASHER
76	B02005214	TOP GLASS
114	B03292499	RUNNER WIRES
115	BE3348996	FEEDER CABLE CONNECTION BOX
116	BE3334252	FEEDER CABLE CONNECTION BOX COVER
118	BE3350690	BOTTOM DUCT EXT.
119	BE3350691	UPPER DUCT EXT.
124	B02011387	BOTTOM TELESCOPIC SKELETON
125	B08093200	UPPER TELESCOPIC SKELETON
144	B03292287	WIRES STOP PIN
151	B032920200	ELECTRICAL BOX WIRES STOP
154	B03202286	FEEDER CABLE STOP
195	BE3350719	BRACKET
202	B03292290	REFLECTOR STOP
208	B02300861	TRANSFORMER
312	B08092785	INSIDE PANEL
332	B08093199	COVER
362	B02011377	DISPLAY VISOR SPRING
415	B03202291	FAIRLEAD
	B03202442	FAIRLEAD
	B03299169	FAIRLEAD
474	B02300798	HALOGEN LAMP
477	B02011376	CLOSING
AQI	B06108625	SWITCH BOX ASSEMBLY
*	B06103994	CONDENSER ASSEMBLY (INCLUDES KEY NO. 14, 38, 39, 151)
*	B06145147	ELECTRICAL INSTALLATION ASSEMBLY (INCLUDES KEY NO. 14, 38, 39, 60, 67, 144, 151, 166, 208)
*	B080810953	FITTING SET (INCLUDES KEY NO. 154)

SERVICE PARTS

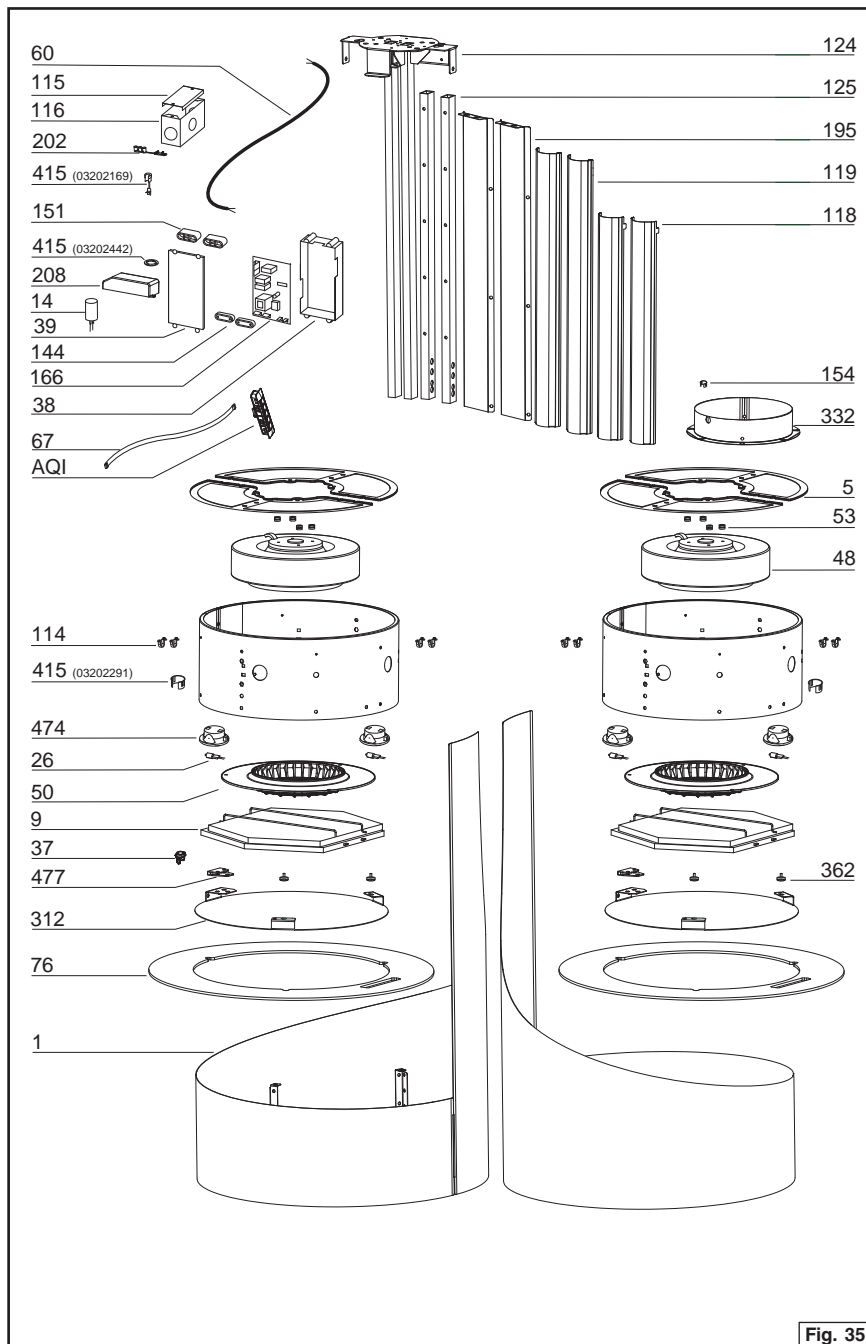
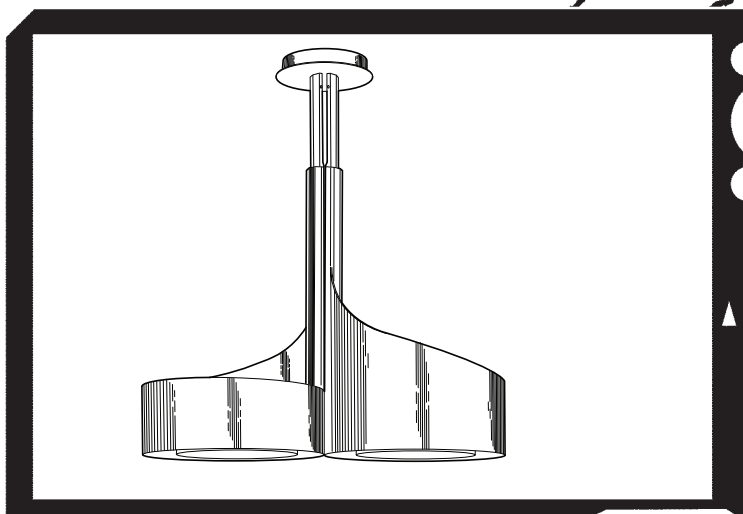


Fig. 35

best®



Modèle IM32I100SP

ENGLISH	2
FRANÇAIS	21
ESPAÑOL	41

Aux États-Unis - BEST Hartford, Wisconsin
Au CANADA - BEST Drummondville, QC, Canada

ENREGISTREZ VOTRE PRODUIT EN LIGNE À : www.BestRangeHoods.com/register
Pour de plus amples informations, visitez www.BestRangeHoods.com

LIRE CES DIRECTIVES ET LES CONSERVER

 **POUR CUISSON DOMESTIQUE SEULEMENT** 

AVERTISSEMENT

OBSERVEZ LES DIRECTIVES CI-DESSOUS AFIN DE RÉDUIRE LES RISQUES D'INCENDIE, DE CHOC ÉLECTRIQUE OU DE BLESSURES CORPORELLES :

1. N'utilisez cet appareil que de la manière prévue par le fabricant. Si vous avez des questions, communiquez avec le fabricant à l'adresse ou au numéro de téléphone indiqués dans la garantie.
2. Avant de procéder à la réparation ou à l'entretien de l'appareil, coupez l'alimentation du panneau électrique et verrouillez l'interrupteur principal afin d'empêcher que le courant ne soit accidentellement rétabli. S'il est impossible de verrouiller l'interrupteur principal, fixez solidement un message d'avertissement, par exemple une étiquette, sur le panneau électrique.
3. La pose de l'appareil et les travaux d'électricité doivent être effectués par des personnes qualifiées conformément à la réglementation en vigueur, notamment les normes de la construction ayant trait à la protection contre les incendies.
4. Pour éviter les refoulements, l'apport d'air doit être suffisant pour brûler les gaz produits par les appareils à combustion et les évacuer dans le conduit de fumée (cheminée). Respectez les directives du fabricant de l'appareil de chauffage et les normes de sécurité, notamment celles publiées par la National Fire Protection Association (NFPA), l'American Society for Heating, Refrigeration and Air Conditioning Engineers (ASHRAE) et les codes des autorités locales.
5. Veillez à ne pas endommager le câblage électrique ou d'autres équipements non apparents lors de la découpe ou du perçage du mur ou du plafond.
6. Les ventilateurs canalisés doivent toujours rejeter l'air à l'extérieur.
7. N'utilisez pas de commande de régime à semi-conducteurs conjointement avec cet appareil.
8. Pour réduire les risques d'incendie, utilisez seulement des conduits en métal.

INSTRUCTIONS DE MISE À LA TERRE

Cet appareil doit être correctement mis à la terre. Dans l'éventualité d'un court-circuit, la mise à la terre réduit les risques de décharge électrique en permettant au courant de s'échapper dans un fil. Cet appareil comporte un cordon électrique muni d'un fil et d'une fiche de mise à la terre. Cette fiche doit être branchée dans une prise de courant correctement installée et mise à la terre.

AVERTISSEMENT - Une mise à la terre incorrecte peut entraîner un risque de choc électrique.

Consultez un électricien qualifié si vous ne comprenez pas complètement les directives de mise à la terre ou si vous n'êtes pas sûr que l'appareil comporte une mise à la terre adéquate.

N'utilisez pas de rallonge électrique. Si le cordon électrique est trop court, demandez à un électricien qualifié d'installer une prise de courant près de l'appareil.

AVERTISSEMENT

POUR RÉDUIRE LES RISQUES D'INCENDIE CAUSÉS PAR DE LA GRAISSE SUR LE PLAN DE CUISSON :

- A. Ne laissez jamais les éléments de surface allumés à haute température. Les débordements peuvent causer de la fumée et occasionner des écoulements de graisse inflammables. L'huile doit être chauffée graduellement à basse ou à moyenne température.
- B. Mettez toujours la hotte en MARCHE lors de la cuisson à feu vif ou lors de la cuisson d'aliments à flamber (par ex., crêpes Suzette, cerises jubilé, bœuf au poivre flambé).
- C. Nettoyez souvent la hotte. Ne laissez pas la graisse s'accumuler sur le ventilateur ou les filtres.
- D. Utilisez des casseroles de dimension appropriée. Utilisez toujours une batterie de cuisine adaptée à la dimension de la surface chauffante.

OBSERVEZ LES CONSIGNES SUIVANTES DE MANIÈRE À RÉDUIRE LES RISQUES DE BLESSURES CORPORELLES EN CAS D'INCENDIE CAUSÉ PAR DE LA GRAISSE SUR LE PLAN DE CUISSON :*

1. ÉTOUFFEZ LES FLAMMES à l'aide d'un couvercle étanche, d'une tôle à biscuits ou d'un plateau en métal puis éteignez le brûleur. FAITES ATTENTION DE NE PAS VOUS BRÛLER. SI LES FLAMMES NE S'ÉTEignent PAS IMMÉDIATEMENT, QUITTEZ LES LIEUX ET APPELEZ LE SERVICE DES INCENDIES.
- 2) NE SOULEVEZ JAMAIS UNE CASSEROLE EN FLAMMES – vous pourriez vous brûler.
- 3) N'UTILISEZ PAS D'EAU, ni de serviettes ou de linges mouillés – une violente explosion de vapeur pourrait survenir.
- 4) Utilisez un extincteur SEULEMENT si :
 - A. Vous savez qu'il est de classe ABC et vous connaissez déjà son mode de fonctionnement.
 - B. L'incendie n'est pas très important et ne se propage pas.
 - C. Les pompiers ont été avisés.
 - D. Vous pouvez combattre l'incendie en faisant dos à une sortie.

* Conseils tirés de la publication de la NFPA « Kitchen Fire Safety Tips ».

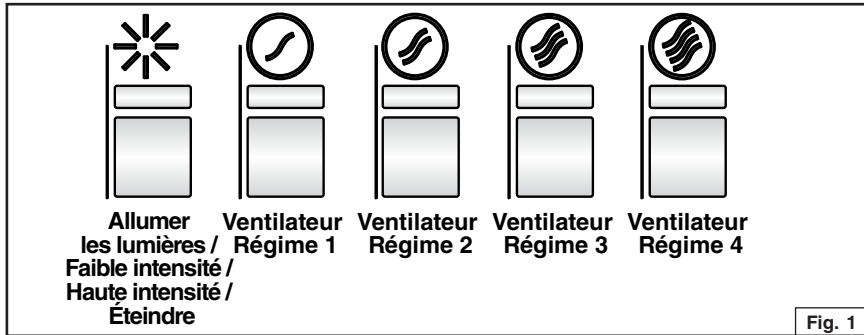
ATTENTION

1. Pour usage intérieur seulement.
2. Pour réduire les risques d'incendie et évacuer l'air correctement, assurez-vous qu'il est canalisé à l'extérieur. N'évacuez pas l'air dans des espaces enfermés par des murs ou un plafond ou dans un grenier, un vide sanitaire ou un garage.
3. Faites attention lorsque vous utilisez des agents nettoyants ou des détergents.
4. Évitez d'utiliser des produits alimentaires pouvant produire des flammes sous la hotte.
5. Pour ventilation générale uniquement. N'utilisez pas cet appareil pour évacuer des matières ou des vapeurs dangereuses ou explosives.
6. Pour éviter d'endommager les roulements du moteur, de déséquilibrer les pales ou de les rendre bruyantes, débarrassez l'appareil de la poussière de plâtre, de construction, etc.
7. Le moteur de la hotte est muni d'un dispositif de protection thermique qui coupe automatiquement le moteur en cas de surchauffe. Il se remet en marche lorsqu'il a refroidi. Faites réparer la hotte si le moteur continue à fonctionner par intermittence.
8. Pour mieux capter les vapeurs de cuisson, le bas de la hotte doit être au minimum à 61 cm (24 po) et au maximum à 76 cm (30 po) de la surface de cuisson. Pour les restrictions s'appliquant au montage, voir la section « Installation de la bride de montage ».
9. Il est recommandé d'avoir deux installateurs, compte tenu de la taille et du poids de cette hotte.
10. Ce produit est doté d'un thermostat qui peut faire démarrer automatiquement le ventilateur. Pour réduire les risques de blessures, coupez l'alimentation sur le panneau électrique et verrouillez-le ou accrochez-y une étiquette de manière à éviter que le courant ne soit rétabli par accident.
11. Veuillez lire l'étiquette de spécifications du produit pour obtenir plus de renseignements, notamment sur les exigences.

FONCTIONNEMENT

Commandes

La hotte fonctionne à l'aide de cinq (5) boutons-poussoirs situés sous la hotte. Fig. 1.



Arrêt différé de dix minutes

Appuyez sur Ventilateur Régime 1, Régime 2 ou Régime 3 pendant deux secondes lorsque le ventilateur est en marche à la vitesse choisie. Le voyant DEL situé sous le bouton commence à clignoter pour indiquer la fonction de minuterie. Après dix minutes, le ventilateur s'éteindra automatiquement. Si vous changez la vitesse pendant le fonctionnement du ventilateur, la fonction demeure activée. Pour la désactiver, appuyez sur le bouton dont le voyant DEL clignote pendant deux secondes. Remarque : L'arrêt différé n'est pas disponible pour le Régime 4.

Alerte de filtre

Après 30 heures de fonctionnement du ventilateur, l'alerte de filtre est activée et tous les voyants DEL s'allument. L'alerte est activée lorsque le moteur est arrêté et les voyants DEL restent allumés pendant 30 minutes. Pour désactiver l'alerte, appuyez sur n'importe quel bouton de commande pendant deux secondes alors que les DEL sont allumées.

Après 120 heures de fonctionnement du ventilateur, l'alerte de filtre au charbon est activée et tous les voyants DEL se mettent à clignoter pour indiquer qu'il faut remplacer les filtres au charbon. L'alerte est activée lorsque le moteur est arrêté et les voyants DEL restent allumés pendant 30 minutes. Pour désactiver l'alerte, appuyez sur n'importe quel bouton de commande pendant deux secondes alors que les DEL sont allumées.

THERMOSTAT HEAT SENTRY^{MC}

Votre hotte est équipée d'un thermostat HEAT SENTRY^{MC}. Ce dispositif actionne ou accélère le ventilateur s'il détecte une chaleur excessive au-dessus de la surface de cuisson.

- 1) Si le ventilateur est ARRÊTÉ, il le met en MARCHÉ au régime ÉLEVÉ.
- 2) Si le ventilateur est en MARCHÉ à basse vitesse, il l'accélère au régime ÉLEVÉ. Une fois la température revenue à la normale, le ventilateur revient à son réglage d'origine.

AVERTISSEMENT

Le thermostat HEAT SENTRY^{MC} peut faire démarrer le ventilateur même si la hotte est arrêtée. Lorsque cela se produit, il est impossible d'ARRÊTER le ventilateur avec son interrupteur. Si vous devez arrêter le ventilateur, coupez le disjoncteur du panneau d'alimentation électrique.

AMPOULES HALOGÈNES

Cette hotte requiert six ampoules halogènes (type T3, 12 volts, 20 watts max., base G4).

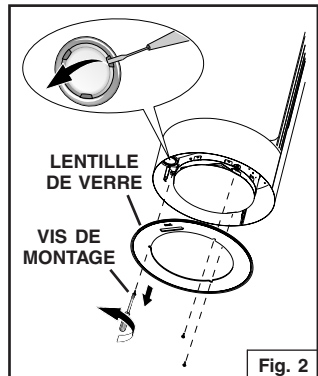
⚠ AVERTISSEMENT : Coupez toujours l'alimentation électrique avant d'effectuer tous travaux sur l'appareil.

Pour remplacer les ampoules :

1. Enlevez la lentille de verre en retirant les trois (3) vis de montage. Fig. 2.
2. Abaissez délicatement la lentille sans exercer de tension sur les fils de commande.

⚠ ATTENTION : Les ampoules peuvent être très chaudes.

3. Ouvrez le couvercle en faisant levier dans les fentes appropriées. Ne touchez pas aux ampoules de rechange avec les mains nues!
4. Remplacez-les par des ampoules halogènes de type T3, 12 volts, 20 watts max., base G4.



NETTOYAGE ET ENTRETIEN

Un entretien adéquat de la hotte assurera son bon fonctionnement.

Moteur

Le moteur est lubrifié en permanence et n'a pas besoin d'être huilé. Si les roulements du moteur sont anormalement bruyants, remplacez le moteur exactement par le même modèle. La roue à ailettes doit aussi être remplacée.

Filtres à graisses

Les filtres à graisses doivent être nettoyés fréquemment, normalement lorsque l'alerte de filtre s'allume. Utilisez une solution tiède de détergent à vaisselle. Le filtre à graisses est lavable au lave-vaisselle.

Nettoyez les filtres entièrement métalliques au lave-vaisselle avec un détergent sans phosphate. Une décoloration du filtre peut se produire si des détergents phosphatés sont utilisés et selon les conditions locales de l'eau, sans toutefois affecter le rendement du filtre. Cette décoloration n'est pas couverte par la garantie. Voir la section « INSTALLATION DES FILTRES » pour leur enlèvement et leur pose.

Filtre de recirculation pour installation sans conduits

Dans une installation sans conduit, le filtre de recirculation doit être remplacé tous les six mois. Remplacez-le plus souvent si le type de cuisine produit plus de graisses, telles que la friture et la cuisson au wok. Voir la section « INSTALLATION DES FILTRES » à la page 15 pour savoir comment enlever et installer les filtres.

Nettoyage de l'acier inoxydable

À FAIRE :

- Régulièrement, nettoyez toutes les surfaces avec un chiffon propre imbibé d'eau tiède et de savon doux ou de liquide à vaisselle.
- Nettoyez toujours dans le sens des lignes du poli original.
- Rincez toujours à l'eau propre (2 ou 3 fois) après le nettoyage. Séchez complètement en essuyant.
- Vous pouvez également utiliser un nettoyant spécial pour acier inoxydable.

À NE PAS FAIRE :

- N'utilisez pas de laine d'acier ordinaire ni de laine d'acier inoxydable ou tout genre de grattoir pour déloger la saleté.
- N'utilisez aucun nettoyant puissant ou abrasif.
- Ne laissez pas la saleté s'accumuler.
- Ne laissez pas la poussière de plâtre ou tout autre résidu de construction pénétrer dans la hotte. Pendant des travaux de construction ou de rénovation, couvrez la hotte pour empêcher la poussière de toucher aux surfaces d'acier inoxydable.

À éviter : lors du choix d'un détergent

- Tout nettoyant contenant de l'eau de javel attaquera l'acier inoxydable.
- Tout produit contenant : du chlore, du fluor, de l'iode ou du brome détériorera rapidement les surfaces.
- Tout produit combustible utilisé pour le nettoyage comme l'acétone, l'alcool, l'éther, le benzol, etc., est hautement explosif et ne doit jamais être utilisé à proximité d'une hotte.

PRÉPARATION DE LA HOTTE

Déballez la hotte et vérifiez le contenu de la boîte.

Celle-ci doit contenir les éléments suivants :

- 2 - Unités motorisées
- 1 - Couvercle de plafonnier
- 2 - Déflecteurs décoratifs
- 1 - Bras de montage télescopique
- 2 - Joints de lentille
- 2 - Bordures de lentille
- 2 - Bras de support inférieurs
- 2 - Brides
- 2 - Couvercles de de bras supérieurs
- 2 - Couvercles de de bras inférieurs
- 6 - Tire-fonds M6 x 60

- 6 - Rondelles, 12,5 mm
- 10 - Vis Torx à tête large, M4 x 20
- 6 - Vis décoratives à épaulement, M4 x 16
- 4 - Vis à tête arrondie, M4 x 20
- 12 - Vis à tête plate, M4 x 6
- 4 - Vis à tête noire M3 x 13 MM
- 4 - Vis à tête moletée, M4 x 24
- 2 - Jeux de vis de blocage contenant :
 - 12 - Vis de blocage M6
 - 1 - Clé hexagonale
- 1 - Gabarit de montage
- 1 - Directives d'installation

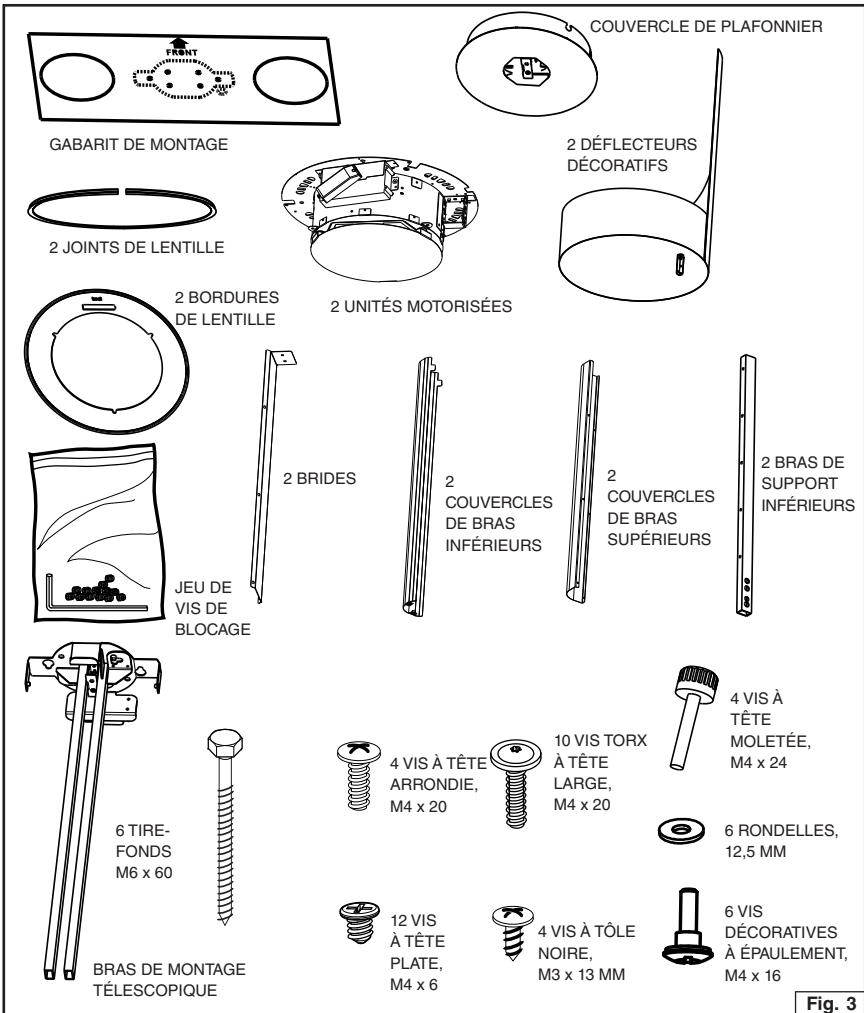
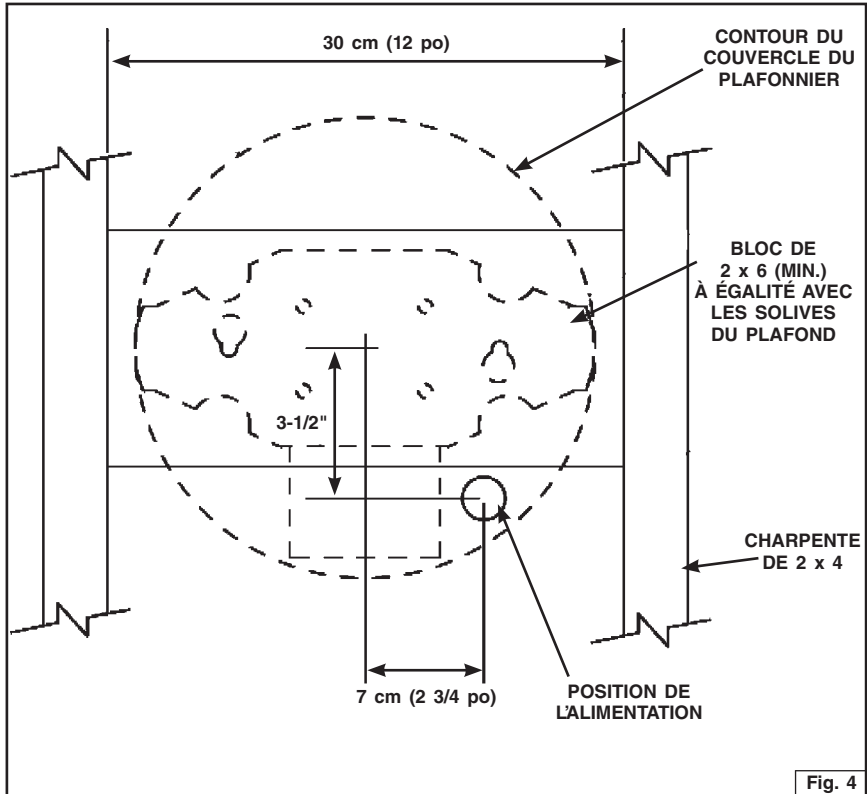


Fig. 3

EXIGENCES STRUCTURELLES

Le poids total de la hotte, telle que livrée, est de 45 kg (100 lb). Des considérations spéciales doivent être accordées à la structure pour assurer une installation adéquate. Les brides de montage doivent être fixées à des pièces de charpente d'une épaisseur nominale de 5,1 cm (2 po). Ne jamais utiliser d'ancrages à murs creux. Fig. 4.

DÉTAILS DE LA CHARPENTE



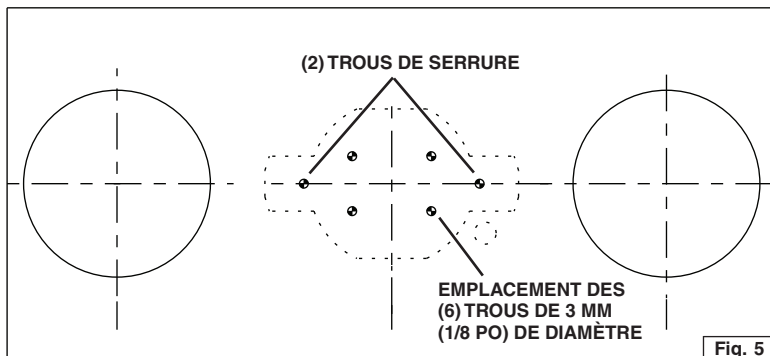
ÉLECTRICITÉ

Cette hotte est câblée directement à une boîte de jonction située dans le plafonnier. L'alimentation électrique doit être située tel qu'illustré ci-dessus.

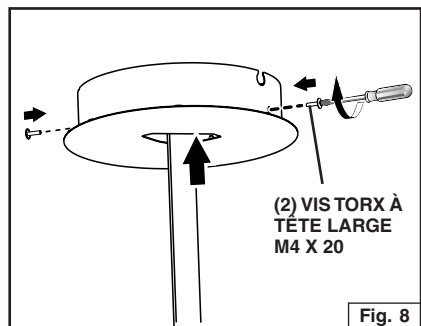
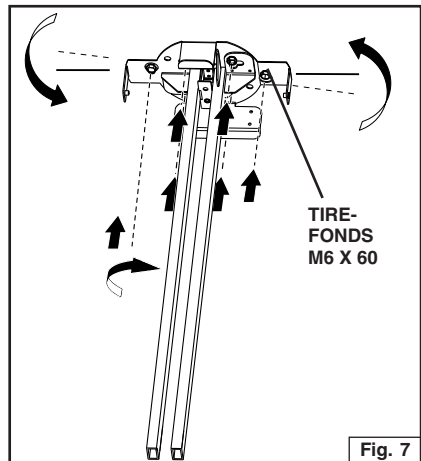
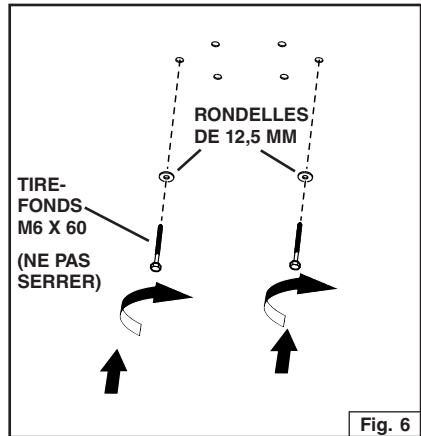
⚠ AVERTISSEMENT : Les travaux d'électricité doivent être effectués par une personne qualifiée conformément aux codes et aux normes en vigueur.

POSE DU BRAS DE MONTAGE TÉLESCOPIQUE

1. Avec du ruban adhésif, posez le gabarit en place et percez (6) trous de 3 mm (1/8 po) de diamètre aux endroits indiqués au centre. Fig. 5. Une fois le perçage terminé, enlevez le gabarit.

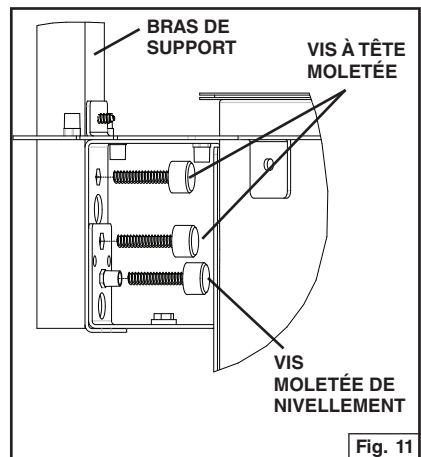
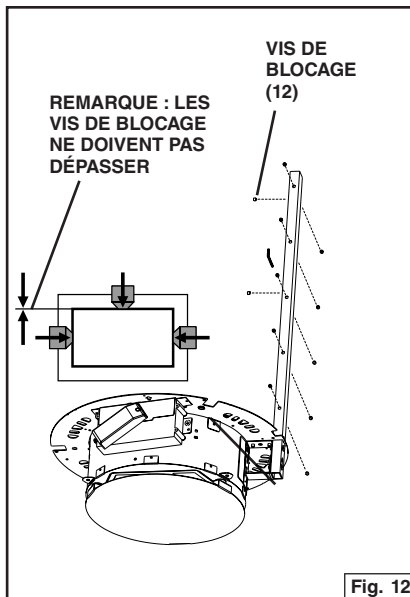
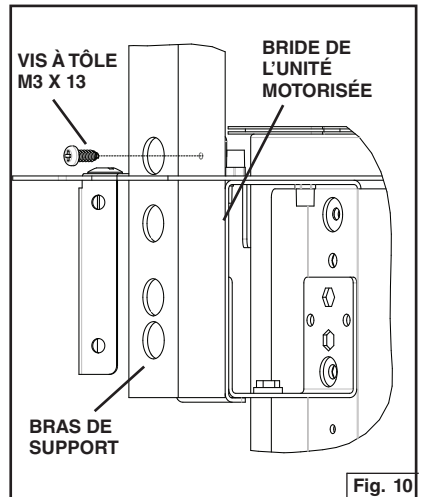
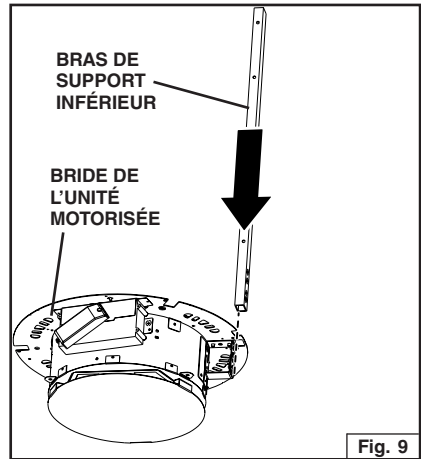


2. Installez (2) tire-fonds M6 x 60 avec (2) rondelles de 12,5 mm dans les fentes en forme de trou de serrure percés à l'étape 1. Ne serrez pas les tire-fonds. Fig. 6.
3. Posez le bras télescopique. Fixez-le avec les (2) tire-fonds M6 x 60 installés - enfillez-les dans les trous de serrure et tournez le bras. Assurez-vous que le bras est perpendiculaire au plafond. Serrez les (2) tire-fonds. Fig. 7.
4. Posez les (4) tire-fonds restants M6 x 60 par bras. Fig. 7.
5. Posez temporairement le couvercle du plafonnier et fixez-le avec (2) vis Torx à tête large M4 x 20. (Vous devrez l'enlever pour effectuer les connexions électriques.) Fig. 8.



POSE DES UNITÉS MOTORISÉES

1. Fixez les bras de support inférieurs à chaque unité. Glissez le bras de support dans la fente de la bride de l'unité. Fig. 9.
2. Fixez le bras à la bride de l'unité motorisée avec (1) vis à tôle M3 x 13 mm. Fig. 10.
3. Continuez de fixer le bras à l'unité motorisée avec (2) vis à tête moletée M4 x 24 mm. Posez une dernière vis à tête moletée M4 x 24 mm dans l'insert fileté de la bride de l'unité motorisée. Cette vis servira plus tard à régler le niveau de l'unité. Fig. 11.
4. Insérez 12 vis de blocage dans chaque bras de support inférieur. Assurez-vous que les vis ne dépassent pas dans la section intérieure du bras. Fig. 12.



5. Déterminez la hauteur de montage.

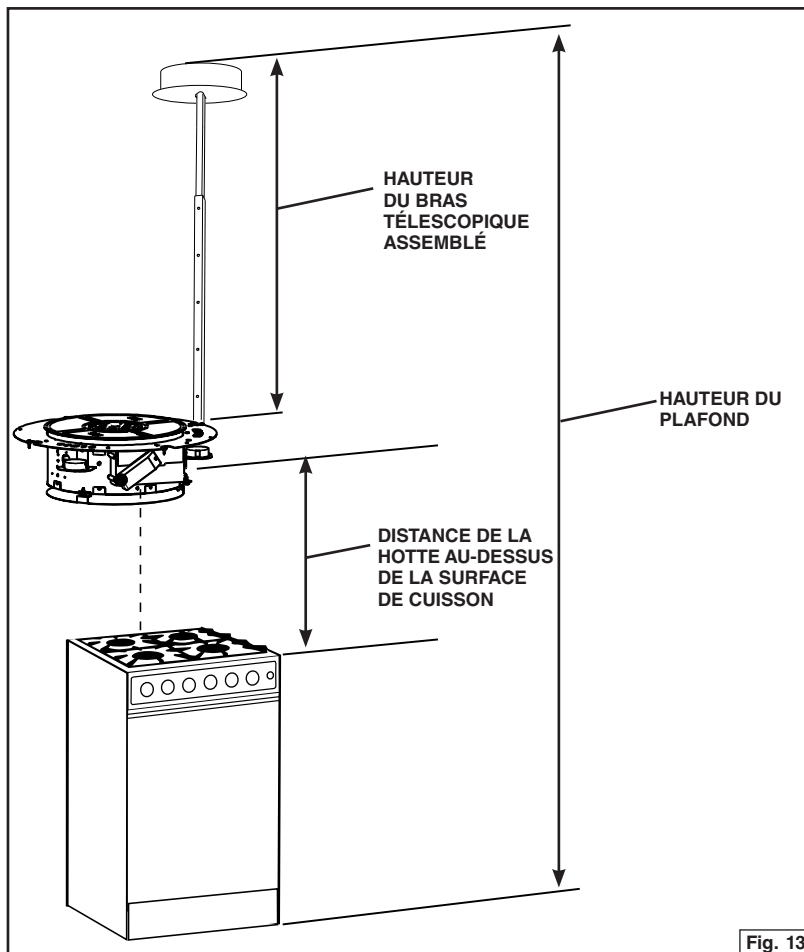
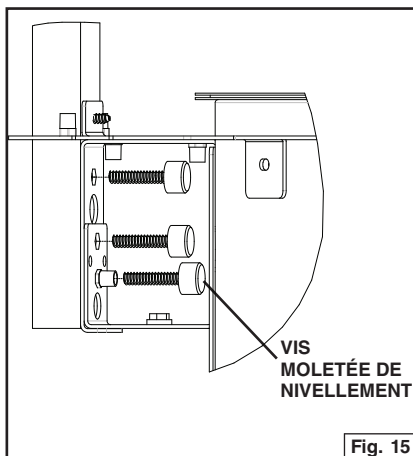
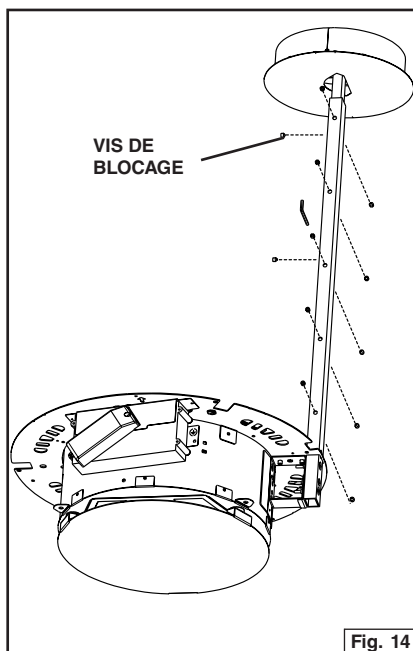


Fig. 13

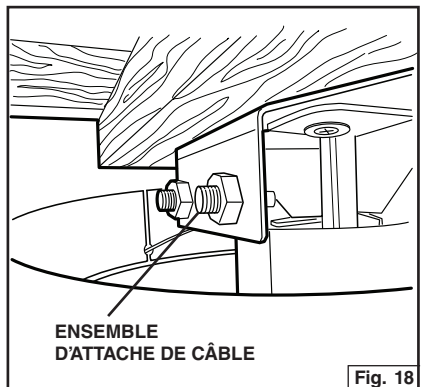
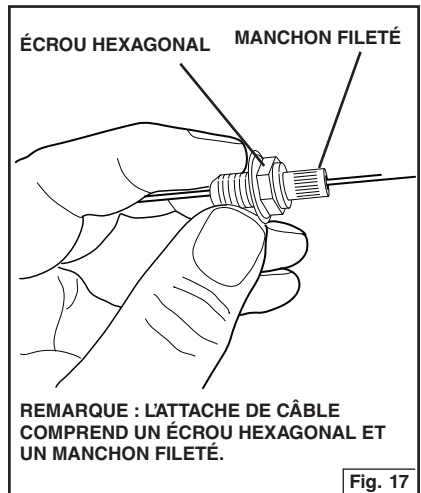
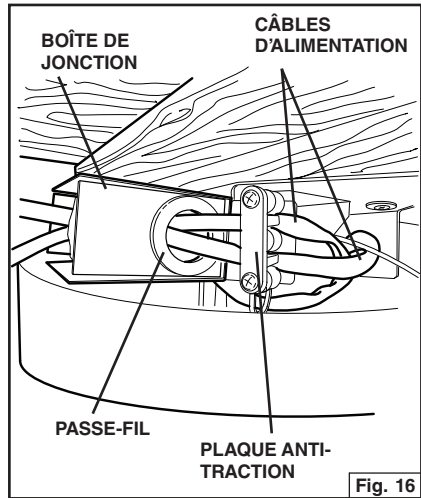
Hauteur du plafond	Distance de la hotte au-dessus de la surface de cuisson	Hauteur du bras télescopique assemblé
244 cm (8 pi)	61 cm (24 po)	84,5 cm (33,25 po)
244 cm (8 pi)	63,5 cm (25 po)	81,9 cm (32,25 po)
244 cm (8 pi)	66 cm (26 po)	79,4 cm (31,25 po)
244 cm (8 pi)	68,6 cm (27 po)	76,8 cm (30,25 po)
274 cm (9 pi)	61 cm (24 po)	114,9 cm (45,25 po)
274 cm (9 pi)	66 cm (26 po)	109,9 cm (43,25 po)
274 cm (9 pi)	71,1 cm (28 po)	104,8 cm (41,25 po)
274 cm (9 pi)	73,7 cm (29 po)	102,2 cm (40,25 po)
274 cm (9 pi)	76,2 cm (30 po)	99,7 cm (39,25 po)

6. Installez le bras de support inférieur sur le bras supérieur à la hauteur voulue. Serrez les vis de blocage en vous assurant qu'au moins (5) vis touchent au bras supérieur. Fig. 14. Faites de même pour l'autre unité.
7. Réglez le niveau des deux unités par rapport à la surface de cuisson à l'aide des vis moletées de nivellement. Fig. 15.



POSE DU CÂBLAGE

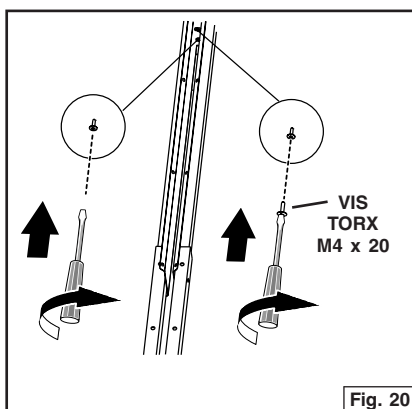
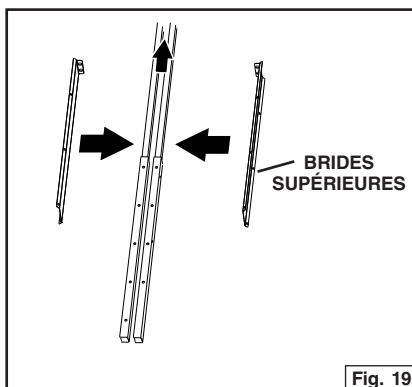
1. Abaissez le couvercle du plafonnier. Acheminez les fils à travers le centre du couvercle du plafonnier. Fixez les deux câbles d'alimentation sur les bras de support. Insérez les fils sur les plaques anti-traction et dans la boîte de jonction. Fixez les fils en serrant les plaques anti-traction. Effectuez les connexions électriques Fig. 16.
2. Enfilez les câbles de sécurité à travers le centre du couvercle du plafonnier et le long des bras de support, et insérez-les dans les attaches de câble tel qu'illustré à la Fig. 17. Faites de même pour chaque unité motorisée.
 - A. Poussez le câble à l'intérieur des tiges de support et dans la cavité de la hotte.
 - B. Glissez la rondelle et l'attache de câble muni d'un manchon fileté sur le câble. Veuillez noter que le manchon fileté doit être fermement appuyé contre l'attache de câble et poussé (le ressort comprimé) lorsqu'on le glisse sur le câble.
 - C. Poussez l'ensemble d'attache de câble jusqu'au sommet de la hotte tout en appuyant vers le bas sur le manchon fileté. Fig. 17.
 - D. Une fois l'ensemble rendu en haut de la hotte à l'intérieur, serrez complètement le manchon fileté. Fig. 18.
 - E. Coupez l'excédent de câble.



POSE DES BRIDES SUPÉRIEURES

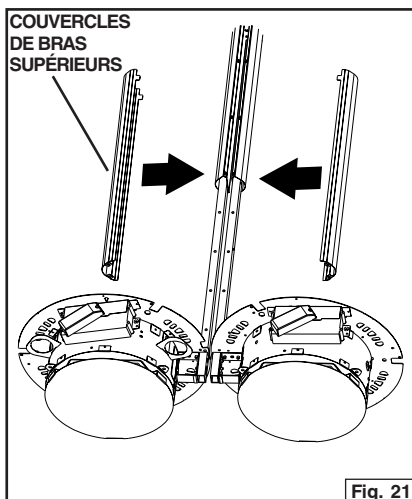
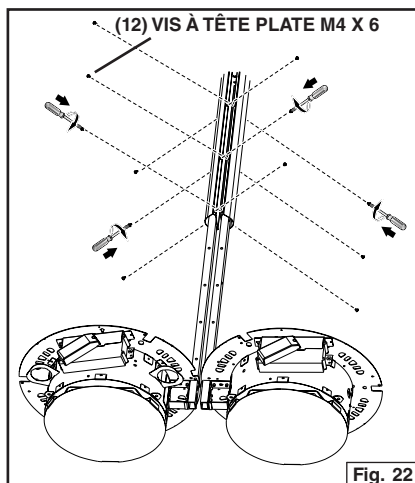
Remarque : Les couvercles se posent entre les bras télescopiques et se fixent au support de plafond.

1. Fixez les brides supérieures au bras télescopique à l'aide de (2) vis Torx à tête large M4 x 20. Fig. 19 et Fig. 20. Enlevez la pellicule protectrice.



POSE DES COUVERCLES DES BRAS

1. Fixez les (2) couvercles de bras supérieurs sur les brides supérieures avec (12) vis à tête plate M4 x 6. Enlevez la pellicule protectrice. Fig. 21 et Fig. 22.



2. Posez le couvercle du plafonnier et fixez-le avec (2) vis Torx à tête large M4 x 20. Fig. 23. Enlevez la pellicule protectrice.
3. Fixez les couvercles de bras inférieurs à l'aide de (4) vis à tête arrondie M4 x 20. Fig. 24 et Fig. 25.
4. Repliez les deux oreilles du couvercle du bras inférieur sur le couvercle du bras supérieur. Faites de même pour l'autre couvercle. Fig. 26.

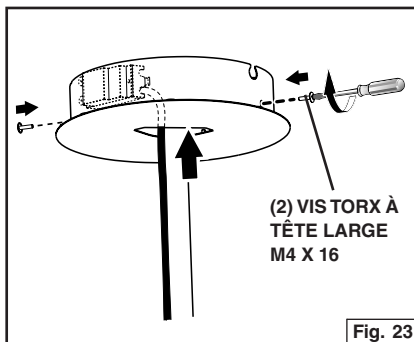


Fig. 23

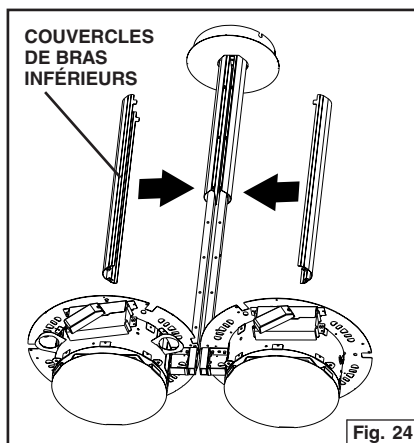


Fig. 24

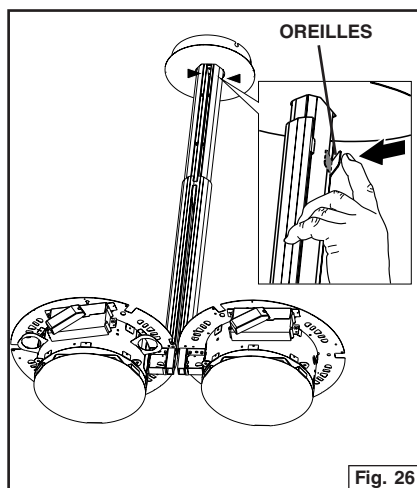


Fig. 26

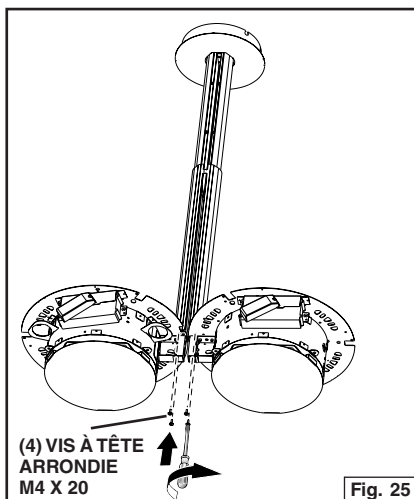
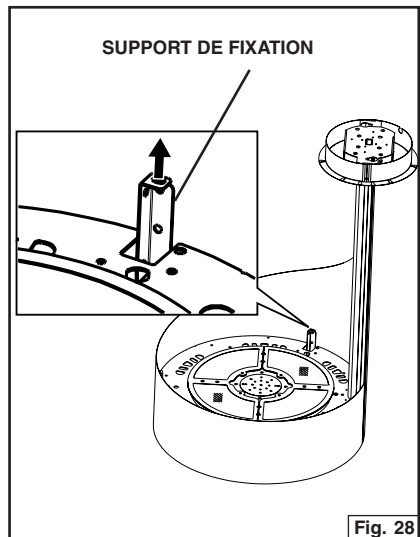
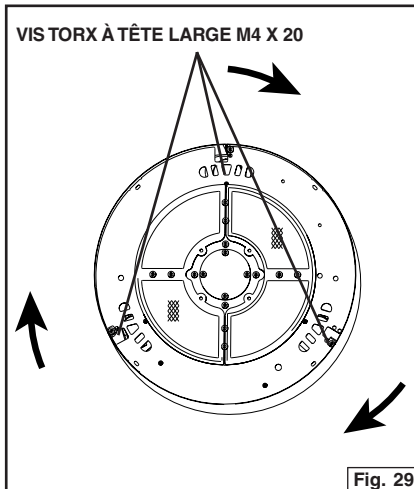
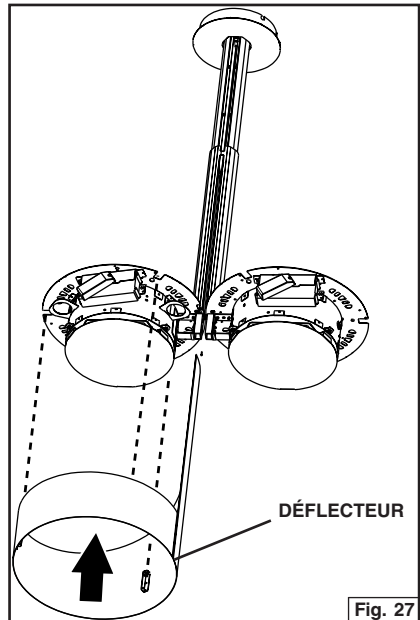


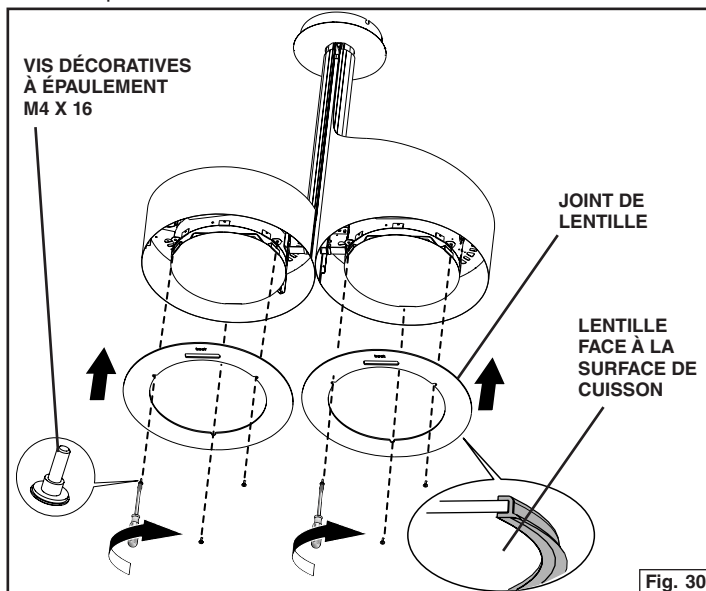
Fig. 25

POSE DES DÉFLECTEURS DÉCORATIFS

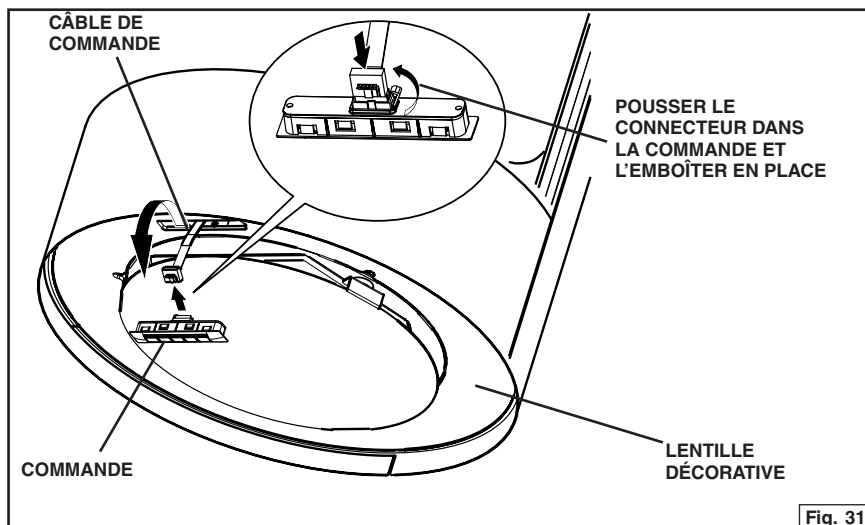
1. Glissez d'abord le déflecteur entre les bras de support. Assurez-vous que les supports de fixation sont au-dessus de la bride de l'unité motorisée. Fig. 27 et Fig. 28.
2. Tournez le déflecteur décoratif afin d'aligner ses trous sur ceux de la bride. Fixez le déflecteur avec (3) vis Torx à tête large M4 x 20. Fig. 29. Enlevez la pellicule protectrice. Faites de même pour l'autre déflecteur.



3. Fixez le joint sur la lentille, tel qu'illustré. Faites de même pour l'autre lentille. Fig. 30.
4. Tirez sur le fil de commande au travers de l'ouverture de la lentille. Fixez la lentille avec (3) vis décoratives à épaulement M4 x 16. Fig. 30. Faites de même pour l'autre lentille.

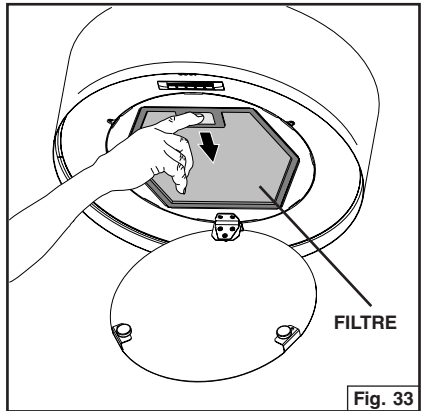
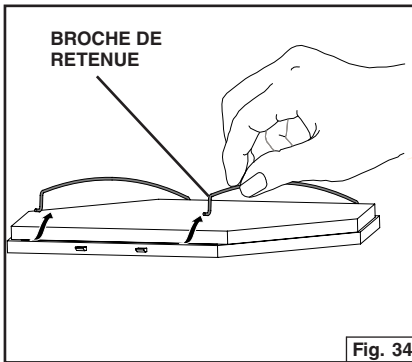
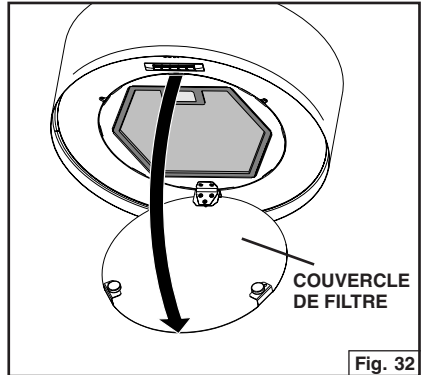


5. Fixez le câble de commande sur la commande. Fig. 31.
6. Emboîtez la commande sur la lentille décorative. Fig. 31.



INSTALLATION DES FILTRES

1. Enlevez les filtres; retirez toute pellicule protectrice sur les filtres.
 - A. Basculez le couvercle de filtre vers le bas. Fig. 32.
 - B. Enlevez le filtre en poussant sur la languette et en le faisant basculer vers le bas Fig. 33.
 - C. Enlevez le filtre au charbon en retirant les broches de retenue du filtre principal. Fig. 34.
2. Répétez l'étape 1 et remplacez les filtres.
3. Enlevez toutes les pellicules protectrices de la hotte.



GARANTIE

GARANTIE LIMITÉE D'UN AN DES PRODUITS BEST

Broan-NuTone LLC (Broan-NuTone) garantit à l'acheteur original que les produits Best sont libres de tout vice de matériau ou de fabrication pour une période d'un an à compter de la date d'achat originale. CETTE GARANTIE NE COMPORTE AUCUNE AUTRE GARANTIE, EXPRESSE OU TACITE, Y COMPRIS, MAIS SANS S'Y LIMITER, LES GARANTIES TACITES DE VALEUR MARCHANDE OU D'ADAPTATION À UN USAGE PARTICULIER.

Durant cette période d'un an, Broan-NuTone réparera ou remplacera gratuitement, à sa discrétion, tout produit ou toute pièce jugés défectueux dans des conditions normales d'utilisation.

CETTE GARANTIE NE S'APPLIQUE PAS AUX TUBES FLUORESCENTS ET AUX DÉMARREURS, NI AUX AMPOULES HALOGÈNES OU INCANDESCENTES, FUSIBLES, FILTRES, CONDUITS, CAPUCHONS DE TOIT, CAPUCHONS MURAUX ET AUTRES ACCESSOIRES POUR CONDUITS. Cette garantie ne couvre pas (a) les frais d'entretien ou de service normaux ni (b) tout produit ou toute pièce soumis à un abus, une négligence, un accident, un entretien ou une réparation inadéquats (autres que ceux effectués par Broan-NuTone), une mauvaise installation ou une installation contraire aux instructions recommandées.

La durée de toute garantie tacite est limitée à la période d'un an stipulée pour la garantie expresse. Certains territoires ou provinces interdisant de limiter la durée d'une garantie tacite, la limitation ci-dessus peut ne pas s'appliquer à votre situation. L'OBLIGATION POUR BROAN-NUTONE DE RÉPARER OU DE REMPLACER LE PRODUIT, À SA DISCRÉTION, CONSTITUE LE SEUL RECOURS DE L'ACHETEUR EN VERTU DE LA PRÉSENTE GARANTIE. broan-nutone ne peut être tenue responsable des dommages indirects ou consécutifs ni des dommages-intérêts particuliers découlant de l'utilisation ou du rendement du produit.

Certains territoires ou provinces ne permettant pas la limitation ou l'exclusion des dommages indirects ou consécutifs, la limitation ci-dessus peut ne pas s'appliquer à votre situation. La présente garantie vous confère des droits spécifiques reconnus par la loi. D'autres droits pourraient également vous être accordés selon la législation locale en vigueur. La présente garantie remplace toutes les autres garanties précédentes.

Pour vous prévaloir de cette garantie, vous devez (a) aviser Broan-NuTone à l'adresse ou au numéro de téléphone indiqués ci-dessous, (b) donner le numéro de modèle du produit et le numéro d'identification de la pièce et (c) décrire la nature de la défectuosité du produit ou de la pièce. Lors de votre demande de garantie, vous devez présenter une preuve de la date d'achat originale.

Aux États-Unis - Best®, 926 W. State Street, Hartford, Wisconsin 53027 (800-558-1711)
Au Canada - Best®, 550, boulevard Lemire, Drummondville, QC J2C 7W9 (866-737-7770)
www.BestRangeHoods.com

PIÈCES DE RECHANGE

REPÈRE	N° DE PIÈCE	DESCRIPTION
1	B08092783	CADRE
5	B03115221	GRILLE
9	B08087691	FILTRE À GRAISSES
14	B02300976	CONDENSATEUR
26	B02300891	AMPOULE
37	B02300804	BOUTON
38	B03292357	BOÎTE DE CIRCUIT IMPRIMÉ
39	B03294033	COUVERCLE DE BOÎTE DE CIRCUIT IMPRIMÉ
48	B02310731	MOTEUR (ROTATION À DROITE)
50	B03294349	SUPPORT DU VENTILATEUR
53	B03204177	RONDELLE DE CAOUTCHOUC
76	B02005214	DESSUS EN VERRE
114	B03292499	GUIDE-FILS
115	BE3348996	BOÎTIER DE CONNEXION DU CÂBLE D'ALIMENTATION
116	BE3334252	COUVERCLE DU BOÎTIER DE CONNEXION DU CÂBLE D'ALIMENTATION
118	BE3350690	RALLONGE DE CONDUIT INFÉRIEUR
119	BE3350691	RALLONGE DE CONDUIT SUPÉRIEUR
124	B02011387	SUPPORT TÉLESCOPIQUE INFÉRIEUR
125	B08093200	SUPPORT TÉLESCOPIQUE SUPÉRIEUR
144	B03292287	TIGE D'ARRÊT DES FILS
151	B032920200	SERRE-CÂBLE DU BOÎTIER DE CONNEXION ÉLECTRIQUE
154	B03202286	ARRÊT DE CÂBLE D'ALIMENTATION
195	BE3350719	BRIDE
202	B03292290	ARRÊT DE RÉFLECTEUR
208	B02300861	TRANSFORMATEUR
312	B08092785	PANNEAU INTÉRIEUR
332	B08093199	COUVERCLE
362	B02011377	RESSORT DE VISIÈRE D'AFFICHAGE
415	B03202291	GUIDE-CÂBLE
	B03202442	GUIDE-CÂBLE
	B03299169	GUIDE-CÂBLE
474	B02300798	LAMPE HALOGÈNE
477	B02011376	FERMOIR
AQI	B06108625	ENSEMBLE DE BOÎTIER D'INTERRUPTEUR
*	B06103994	ENSEMBLE DE CONDENSATEUR AVEC FILS (COMPREND REPÈRES : 14, 38, 39, 151)
*	B06145147	ENSEMBLE D'INSTALLATION ÉLECTRIQUE (COMPREND REPÈRES : 14, 38, 39, 60, 67, 144, 151, 166, 208)
*	B080810953	JEU DE RACCORDS (COMPREND REPÈRE : 154)

PIÈCES DE RECHANGE

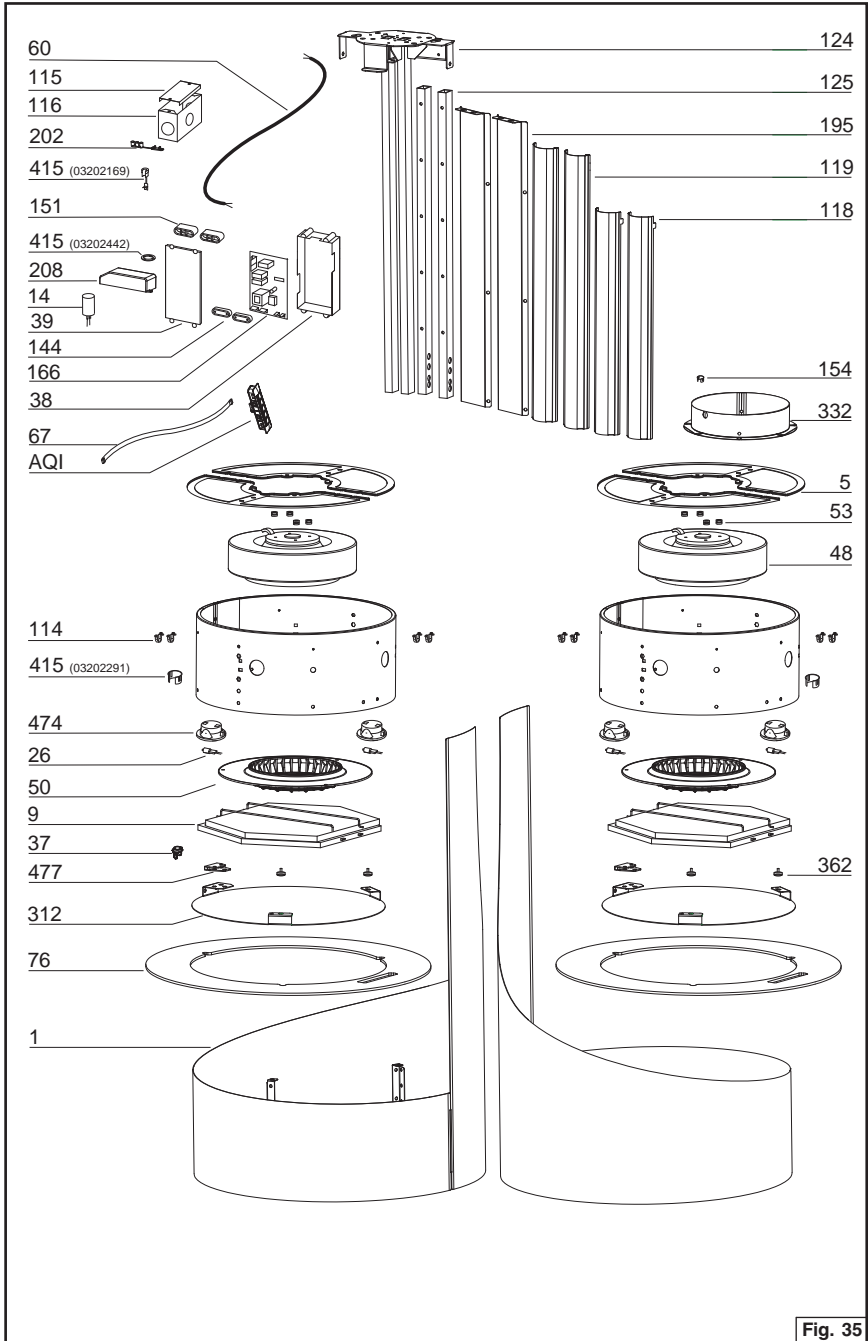
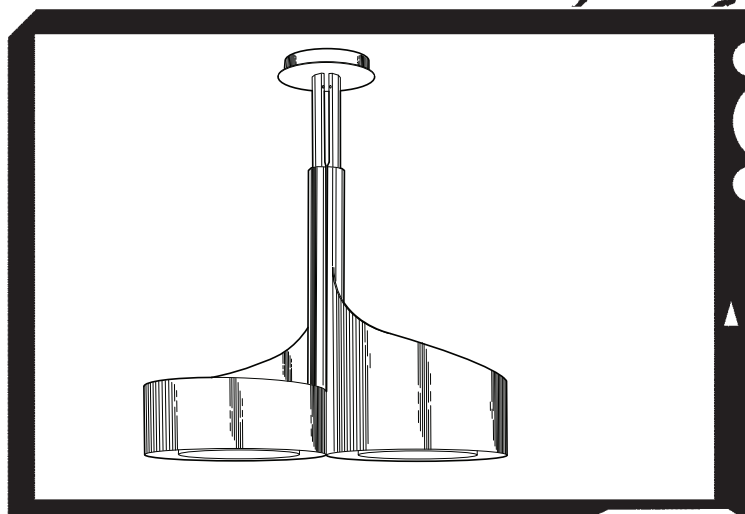


Fig. 35

best®



Modelo IM32I100SP

ENGLISH	2
FRANÇAIS	21
ESPAÑOL	41

En EE.UU. - BEST Hartford, Wisconsin
En CANADÁ - BEST Drummondville, QC, Canadá

REGISTRE SU PRODUCTO EN LÍNEA EN: www.BestRangeHoods.com/register
Si desea información adicional, visite www.BestRangeHoods.com

LEA Y CONSERVE ESTAS INSTRUCCIONES

 **INDICADO SOLAMENTE PARA COCINAR EN CASA** 

  **ADVERTENCIA**

PARA REDUCIR EL RIESGO DE INCENDIOS, DESCARGAS ELÉCTRICAS O LESIONES PERSONALES, SIGA LAS SIGUIENTES PRECAUCIONES:

1. Use la unidad solo de la manera indicada por el fabricante. Si tiene preguntas, comuníquese con el fabricante a la dirección o al número telefónico que se incluye en la garantía.
2. Antes de dar servicio o limpiar la unidad, interrumpa el suministro eléctrico en el panel de servicio y bloquee el panel de servicio para evitar que se active accidentalmente la electricidad. Cuando no sea posible bloquear los medios de desconexión del servicio, fije firmemente una señal de advertencia (como una etiqueta) en un lugar visible del panel de servicio.
3. El trabajo de instalación y el cableado eléctrico deben estar a cargo de personal capacitado, de acuerdo con todos los códigos y normas correspondientes, incluidos los códigos y normas de construcción específicos sobre protección contra incendios.
4. Es necesario suficiente aire para que se lleve a cabo una combustión y una extracción adecuadas de los gases a través del tubo de humos (chimenea) del equipo quemador de combustible, con el fin de evitar el contratiro. Siga las directrices y las normas de seguridad del fabricante del equipo de calefacción, como las publicadas por la Asociación Nacional de Protección contra Incendios (National Fire Protection Association, NFPA), y la Sociedad Americana de Ingenieros en Calefacción, Refrigeración y Aire Acondicionado (American Society for Heating, Refrigeration and Air Conditioning Engineers, ASHRAE), y las autoridades de los códigos locales.
5. Al cortar o perforar a través de la pared o del cielo raso, tenga cuidado de no dañar el cableado eléctrico ni otros servicios ocultos.
6. Los ventiladores con conductos siempre deben ventearse hacia el exterior.
7. No use esta unidad junto con ningún dispositivo separado de estado sólido para el control de la velocidad.
8. Para reducir el riesgo de incendio, use solamente conductos metálicos.

INSTRUCCIONES PARA LA PUESTA A TIERRA

Este aparato debe estar conectado a tierra. En caso de un corto circuito eléctrico, la puesta a tierra reduce el riesgo de una descarga eléctrica al suministrar un cable de escape para la corriente eléctrica. Este aparato está equipado con un cordón que tiene un cable con una clavija a tierra. La clavija debe conectarse a un tomacorriente que esté instalado y conectado a tierra adecuadamente.

ADVERTENCIA: Una instalación inadecuada a tierra puede tener el riesgo de una descarga eléctrica.

Consulte a un electricista calificado si no se entienden totalmente las instrucciones de puesta a tierra, o si tiene alguna duda en cuanto a la conexión a tierra apropiada del aparato.

No utilice una extensión eléctrica. Si el cable de la fuente de alimentación es demasiado corto, solicite a un electricista calificado que instale una toma eléctrica cerca del aparato.

ADVERTENCIA

PARA REDUCIR EL RIESGO DE INCENDIO PROVOCADO POR GRASA PRESENTE EN LA ESTUFA:

- A. Nunca deje desatendidas las unidades de la superficie cuando estén en ajustes altos de calor. Los alimentos en ebullición provocan derrames grasosos y con humo que se pueden incendiar. Caliente el aceite lentamente en ajustes de calor bajo o medio.
- B. Siempre ENCIENDA la campana cuando esté cocinando a altas temperaturas o flamee alimentos (por ejemplo crepas Suzette, cerezas Jubilee, bistec con pimienta flameado).
- C. Limpie frecuentemente los ventiladores. No permita la acumulación de grasa en el ventilador ni en el filtro.
- D. Use una cacerola del tamaño adecuado. Siempre use utensilios de cocina que sean apropiados para el tamaño del elemento de la superficie.

PARA REDUCIR EL RIESGO DE LESIONES A LAS PERSONAS EN CASO DE UN INCENDIO PRODUCIDO POR GRASA EN UNA ESTUFA, OBSERVE LO SIGUIENTE*:

1. APAGUE LAS LLAMAS con una tapa de ajuste exacto, una charola para galletas o una bandeja de metal, y después apague el quemador. PROCEDA CON CUIDADO PARA EVITAR QUEMADURAS. Si las llamas no se apagan inmediatamente, EVACUE EL ÁREA Y LLAME A LOS BOMBEROS.
- 2) NUNCA LEVANTE UNA CACEROLA INCENDIADA porque podría ocasionarse quemaduras.
- 3) NO TRATE DE APAGAR EL FUEGO CON AGUA ni con trapos o toallas de cocina mojados, pues ocasionará una explosión violenta de vapor.
- 4) Use un extintor SOLO si:
 - A. El extintor es de Clase ABC y usted sabe cómo hacerlo funcionar.
 - B. El incendio es pequeño y está confinado al área en la que se inició.
 - C. Se está llamando al Departamento de Bomberos.
 - D. Puede combatir el incendio teniendo la espalda orientada hacia una salida.

* Basado en "Kitchen Fire Safety Tips" (Sugerencias para la seguridad contra incendios en la cocina) publicado por NFPA.

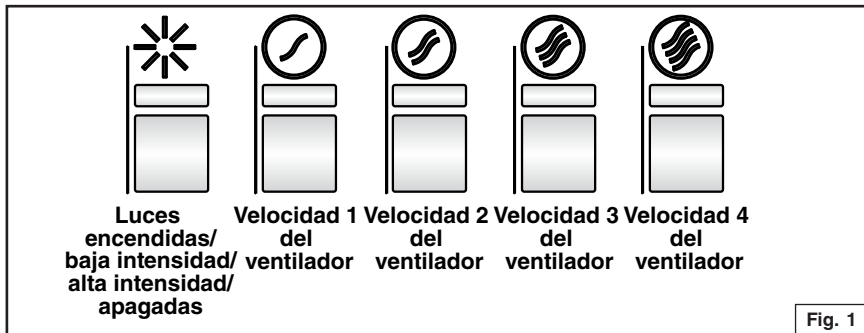
PRECAUCIÓN

1. Solo debe usarse bajo techo.
2. Para reducir el riesgo de incendio y para descargar adecuadamente el aire, asegúrese de dirigir el aire hacia el exterior. No descargue el aire en espacios contenidos entre paredes o cielos rasos, ni en áticos, sótanos bajos ni en la cochera.
3. Tenga cuidado cuando use agentes de limpieza o detergentes.
4. Evite usar bajo la campana de la estufa productos alimenticios que produzcan llamas.
5. Solo para usarse como medio de ventilación general. No debe usarse para la extracción de materiales o vapores peligrosos o explosivos.
6. Para evitar daños a los cojinetes del motor y rotores ruidosos o desbalanceados, mantenga la unidad de potencia protegida contra rocíos de yeso, polvos de construcción, etc.
7. Este motor de campana tiene una protección contra sobrecargas térmicas que automáticamente apagará el motor en caso de sobrecalentamiento. El motor reanudará su funcionamiento cuando se enfríe. Si el motor continúa apagándose y encendiéndose, solicite servicio para la campana.
8. Para capturar mejor las impurezas producidas al cocinar, la parte inferior de la campana debe estar a una altura mínima de 24 pulg. (61 cm) y máxima de 30 pulg. (76 cm) sobre la superficie de cocinado. Consulte el apartado "Instalación del soporte de montaje" para ver las restricciones de montaje.
9. Se recomienda que dos personas hagan la instalación debido al gran tamaño y peso de esta campana.
10. Este producto está equipado con un termostato que podría iniciar automáticamente el funcionamiento del ventilador. Para reducir el riesgo de lesiones personales y para evitar que la electricidad sea reanudada accidentalmente, interrumpa el suministro eléctrico en el panel de servicio y bloquee o rotule este panel.
11. Lea la etiqueta de especificaciones del producto para ver información y requisitos adicionales.

FUNCIONAMIENTO

Controles

La campana se opera usando los (5) botones que se ubican en la parte inferior de la campana. Fig. 1.



Retardo de diez minutos

Presione velocidad 1, velocidad 2 o velocidad 3 del ventilador durante dos segundos cuando el ventilador esté a la velocidad seleccionada. La pantalla LED debajo del botón comenzará a destellar para mostrar la función de retardo. Una vez transcurridos diez minutos, el ventilador se apagará automáticamente. Si cambia la velocidad mientras esté funcionando el temporizador, la función no se desactivará. Para desactivar la función, presione el botón cuando la pantalla LED destelle durante dos segundos. Nota: El retardo no está disponible en la velocidad 4 del ventilador.

Alarma del filtro

Después de 30 horas de funcionamiento del ventilador, se activa la alarma del filtro de grasa y todos los indicadores LED se encienden. La alarma se activa cuando el motor está apagado y los LED se mantienen encendidos durante 30 minutos. Para desactivar la alarma, presione cualquiera de los botones de control durante dos segundos mientras los LED están encendidos.

Después de 120 horas de funcionamiento del ventilador, se activa la alarma del filtro de carbón y todos los indicadores LED destellan, indicando que es necesario reemplazar los filtros de carbón. La alarma se activa cuando el motor está apagado y los LED se mantienen encendidos durante 30 minutos. Para desactivar la alarma, presione cualquiera de los botones de control durante dos segundos mientras los LED están encendidos.

Termostato HEAT SENTRY™

La campana está equipada con un termostato HEAT SENTRY™. Este termostato es un dispositivo que encenderá el ventilador o aumentará su velocidad si detecta un calor excesivo sobre la superficie de cocinado.

- 1) Si el ventilador está APAGADO: ENCIENDE el ventilador a ALTA velocidad.
- 2) Si el ventilador está ENCENDIDO a una velocidad menor: pone el ventilador a ALTA velocidad. Cuando la temperatura disminuye a valores normales, el ventilador regresa a su ajuste original.

ADVERTENCIA

El termostato HEAT SENTRY™ puede activar el ventilador aunque la campana esté APAGADA. Cuando esto ocurre, es imposible APAGAR el ventilador con el interruptor. Si debe apagar el ventilador, hágalo desde el panel eléctrico principal.

BOMBILLAS DE HALÓGENO

Esta campana de estufa requiere seis bombillas de halógeno (tipo T3, de 12 V, 20 Watts máximo y base G4).

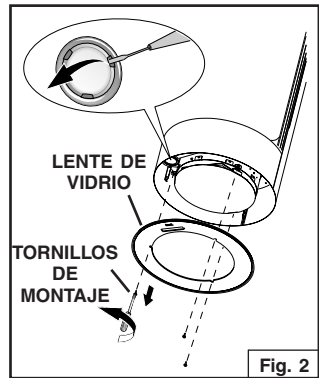
⚠ ADVERTENCIA: Siempre apague el suministro eléctrico antes de realizar cualquier operación en el electrodoméstico.

Para cambiar las bombillas:

1. Retire la lente de vidrio quitando los (3) tornillos de montaje. Vea la Figura 2.
2. Baje con cuidado la lente de vidrio sin poner esfuerzo alguno en los cables de control.

⚠ PRECAUCIÓN: Las bombillas podrían estar calientes.

3. Haga palanca desde las ranuras apropiadas y abra la cubierta. ¡No toque las bombillas de repuesto con las manos desnudas!
4. Cambie la bombilla por una de halógeno tipo T3, de 12 V, 20 Watts máximo y base G4.



LIMPIEZA Y MANTENIMIENTO

El mantenimiento correcto de la campana de la estufa asegurará el funcionamiento adecuado de la unidad.

Motor

El motor está permanentemente lubricado y nunca necesitará ponerle aceite. Si los cojinetes del motor están haciendo ruido excesivo o inusual, reemplace el motor con el motor de servicio exacto. También debe reemplazar el impulsor.

Filtros de grasa

Los filtros de grasa deben limpiarse con frecuencia, por lo general cuando se encienda la alarma del filtro. Utilice una solución tibia de detergente y agua. El filtro de grasa se puede lavar en el lavaplatos. Limpie los filtros completamente metálicos en el lavaplatos con un detergente sin fosfatos. El filtro se puede decolorar si se utilizan detergentes con fosfatos o como resultado de la condición del agua local, pero esto no afectará el desempeño del filtro. Esta decoloración no está cubierta por la garantía. Consulte la sección "INSTALACIÓN DE LOS FILTROS" para ver las instrucciones de instalación y desmontaje.

Filtro de recirculación para sistemas sin conductos

El filtro de recirculación para sistemas sin conductos se debe cambiar cada 6 meses. Cámbielo con más frecuencia si su estilo de cocinar genera más grasa, como al freír y al cocinar en una sartén china de cuenco redondo. Consulte la sección "INSTALACIÓN DE LOS FILTROS" en la página 15, para ver las instrucciones de instalación y desmontaje.

Limpieza del acero inoxidable

COSAS QUE PUEDE HACER:

- Regularmente, lave con una tela o trapo limpio remojado con agua tibia y jabón o detergente líquido para platos.
- Siempre limpie en la dirección de las líneas originales de pulido.
- Siempre enjuague bien con agua limpia (2 o 3 veces) después de la limpieza. Séquelo por completo.
- También puede usar un limpiador casero especializado para acero inoxidable.

Evite: Al elegir un detergente

- Todo limpiador que contenga blanqueador, pues atacará al acero inoxidable.
- Todo producto que contenga: cloruro, fluoruro, yoduro, bromuro, pues deteriorará las superficies rápidamente.
- Todo producto combustible utilizado para la limpieza, como acetona, alcohol, éter, benzol, etc., pues son altamente explosivos y nunca se deben usar cerca de una estufa.

COSAS QUE NO DEBE HACER:

- Usar lana de acero o acero inoxidable ni algún otro tipo de raspador para quitar mugre difícil de sacar.
- Usar limpiadores fuertes ni abrasivos.
- Dejar que se acumule la mugre.
- Dejar que el polvo forme plastas ni que quede en la campana algún otro residuo de la construcción. Durante la construcción o renovación, cubra la campana para asegurar que no se pegue el polvo a la superficie de acero inoxidable.

PREPARE LA CAMPANA

Desempaque la campana y revise el contenido del paquete.

Debe contener lo siguiente:

- 2 - Unidades eléctricas
- 1 - Cubierta para cielo raso
- 2 - Envolturas decorativas
- 1 - Brazo de montaje telescópico
- 2 - Juntas de vidrio
- 2 - Molduras de vidrio
- 2 - Brazos de apoyo inferior
- 2 - Soportes
- 2 - Cubiertas de brazo superior
- 2 - Cubiertas de brazo inferior
- 6 - Tornillos para madera, M6 x 60

- 6 - Arandelas de 12.5 mm
- 10 - Tornillos Torx de cabeza grande, M4 x 20
- 6 - Tornillos escalonados decorativos, M4 x 16
- 4 - Tornillos de cabeza troncocónica, M4 x 20
- 12 - Tornillos de cabeza plana, M4 x 6
- 4 - Tornillos negros de chapa metálica, M3 x 13
- 4 - Tornillos de apriete manual, M4 x 24
- 2 - Juegos de tornillos de fijación que contienen:
 - 12 - Tornillos de fijación M6
 - 1 - Llave Allen
- 1 - Plantilla de montaje
- 1 - Instrucciones de instalación

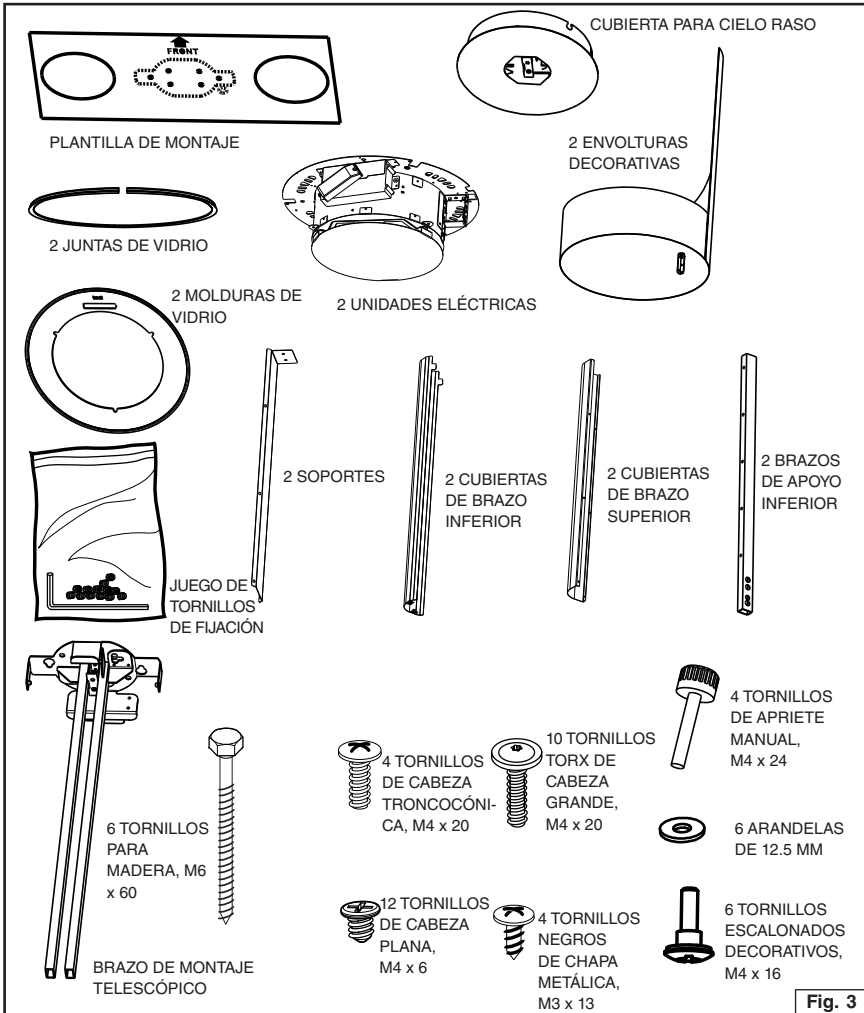
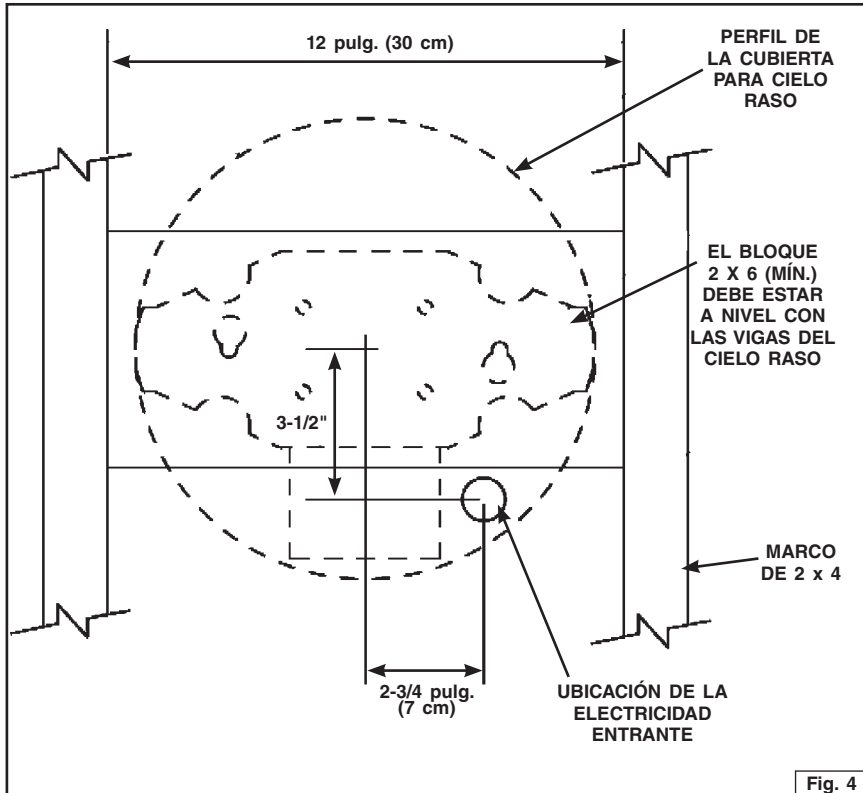


Fig. 3

REQUISITOS ESTRUCTURALES

El peso total de la campana es de 100 lb (45 kg), tal como se suministra. Se deben tener consideraciones especiales en la estructura para garantizar la instalación adecuada. Es necesario que los soportes de montaje se monten a 2 pulg. (5.1 cm) de la madera nominal. Bajo ninguna circunstancia deben usarse anclas para pared huecas. Fig. 4.

DETALLES DEL EMPALME



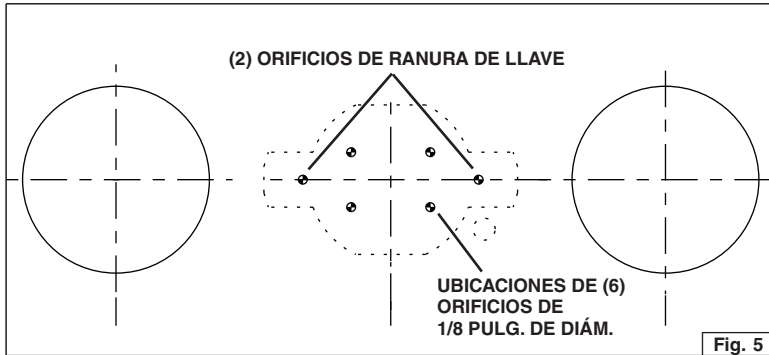
PLACA DE EMPALME, ELÉCTRICA

Esta campana se cablea mediante una caja de conexiones situada en la cubierta de la campana. La electricidad entrante debe situarse como se muestra en los diagramas anteriores.

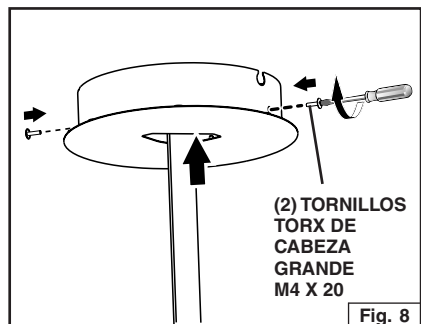
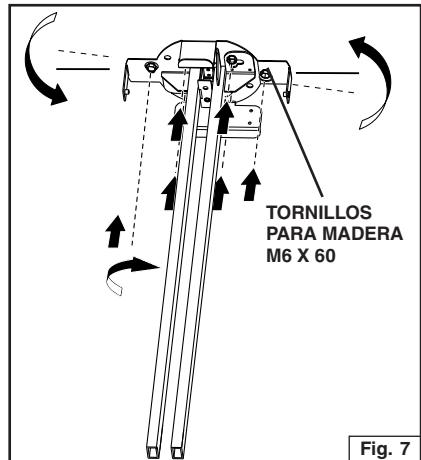
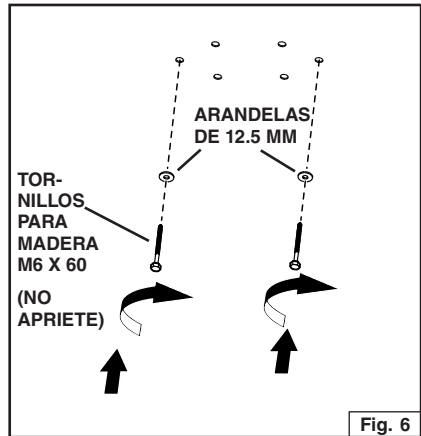
⚠️ ADVERTENCIA: Una persona calificada debe realizar el trabajo de cableado eléctrico, de acuerdo con todos los códigos y normas correspondientes.

MONTAJE DEL BRAZO DE MONTAJE TELESCÓPICO

1. Pegue con cinta la plantilla de montaje en su lugar y perforo (6) orificios de 1/8 pulg. (3mm) de diámetro en los sitios mostrados en el centro. Fig. 5. Cuando termine, retire la plantilla del cielo raso.

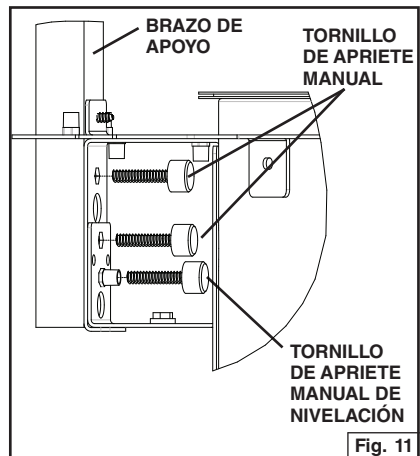
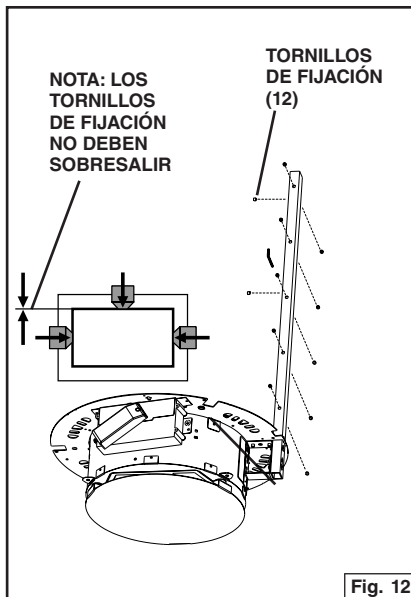
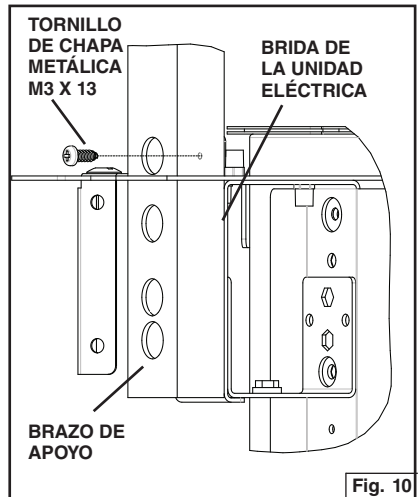
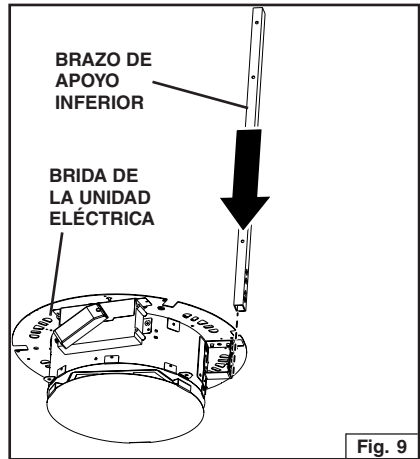


2. Instale (2) tornillos para madera M6 x 60 con (2) arandelas de 12.5 mm en cada uno de los orificios de ranura de llave perforados en el Paso 1. No apriete los tornillos. Figura 6.
3. Monte el brazo telescópico. Fije con los (2) tornillos para madera instalados M6 x 60 – monte en las dos ranuras de llave y gire el brazo. Asegúrese de que los brazos estén perpendiculares al cielo raso. Apriete (2) pernos para madera. Fig. 7.
4. Fije los cuatro (4) tornillos para madera restantes M6 x 60 por brazo. Fig. 7.
5. Instale temporalmente la cubierta para cielo raso y fije con (2) tornillos Torx de cabeza grande M4 x 20. (Necesitará quitarla cuando haga las conexiones eléctricas.) Fig. 8.

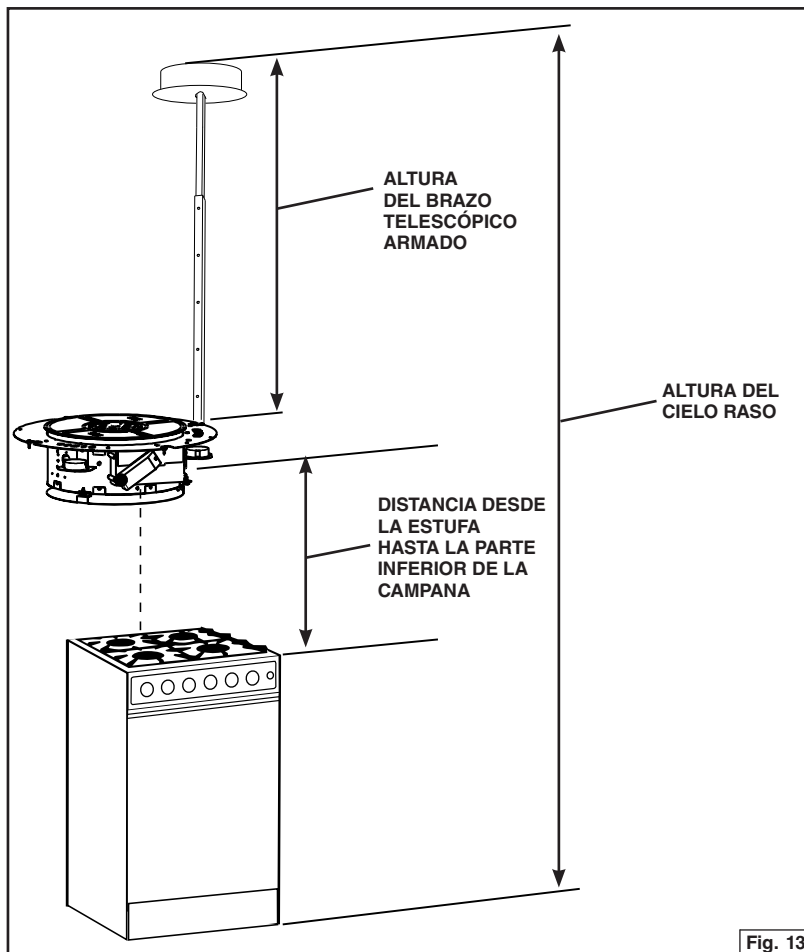


MONTAJE DE LAS UNIDADES ELÉCTRICAS

1. Fije los brazos de apoyo inferior a cada unidad eléctrica. Deslice el brazo de apoyo a través de la ranura en la brida de la unidad eléctrica. Fig. 9.
2. Fije el brazo a la brida de la unidad eléctrica con (1) tornillo de chapa metálica M3 x 13 mm. Fig. 10.
3. Siga fijando el brazo a la unidad eléctrica con (2) tornillos de apriete manual M4 x 24 mm. Fije un tercer tornillo de apriete manual M4 x 24 mm al inserto roscado en la brida de la unidad eléctrica. Este tornillo se usará para nivelar posteriormente la unidad eléctrica. Fig. 11.
4. Inserte 12 tornillos de fijación en cada brazo de apoyo. Asegúrese de que los tornillos no sobresalgan de la sección interior del brazo. Fig. 12.

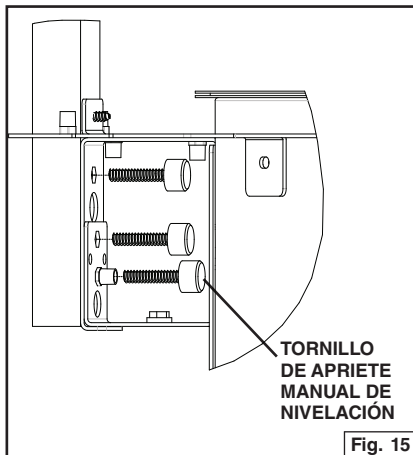
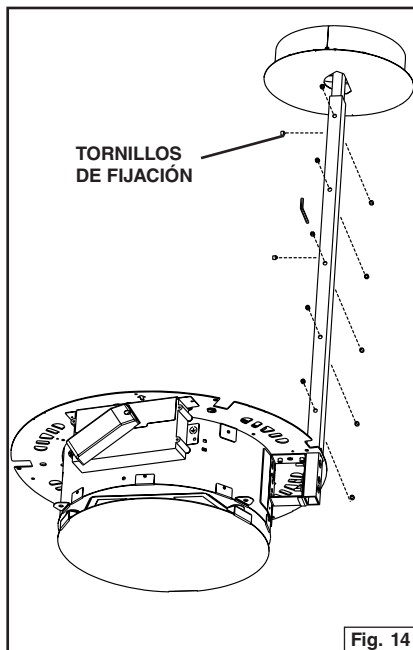


5. Determine la altura de montaje.



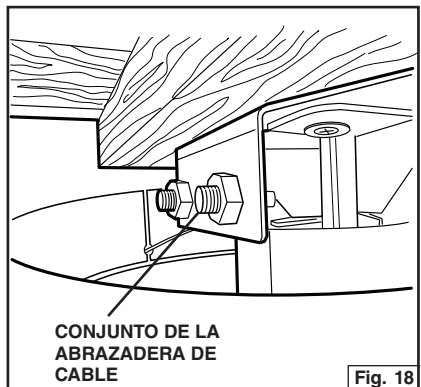
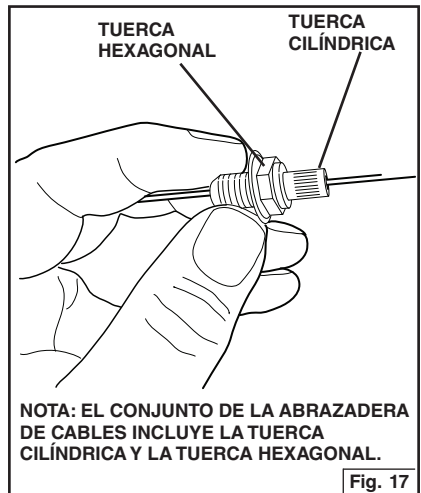
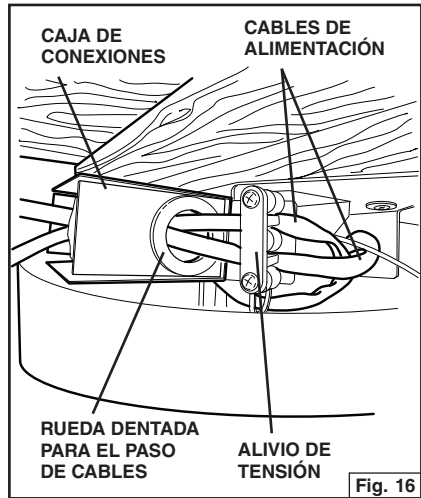
Altura del cielo raso	Distancia de la estufa hasta la parte inferior de la campana	Altura del conjunto del brazo telescópico armado
8 pies (244 cm)	24 pulg. (61 cm)	33.25 pulg. (84.5 cm)
8 pies (244 cm)	25 pulg. (63.5 cm)	32.25 pulg. (81.9 cm)
8 pies (244 cm)	26 pulg. (66 cm)	31.25 pulg. (79.4 cm)
8 pies (244 cm)	27 pulg. (68.6 cm)	30.25 pulg. (76.8 cm)
9 pies (274 cm)	24 pulg. (61 cm)	45.25 pulg. (114.9 cm)
9 pies (274 cm)	26 pulg. (66 cm)	43.25 pulg. (109.9 cm)
9 pies (274 cm)	28 pulg. (71.1 cm)	41.25 pulg. (104.8 cm)
9 pies (274 cm)	29 pulg. (73.7 cm)	40.25 pulg. (102.2 cm)
9 pies (274 cm)	30 pulg. (76.2 cm)	39.25 pulg. (99.7 cm)

6. Instale el brazo de apoyo inferior en el brazo superior a la altura de montaje deseada. Apriete los tornillos de fijación, asegurándose de que por lo menos (5) tornillos tengan contacto con el brazo superior. Fig. 14. Repita para la segunda unidad.
7. Nivele las dos unidades con la superficie de la estufa usando el tornillo de apriete manual de nivelación. Fig. 15.



INSTALE EL CABLEADO

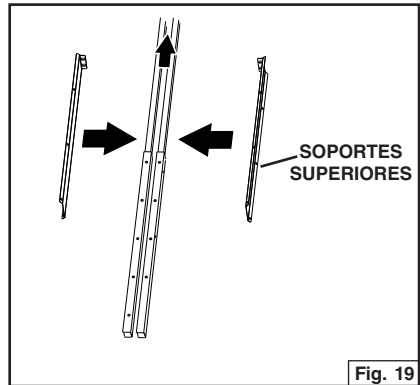
1. Suelte la cubierta para cielo raso. Pase los cables por el centro de la cubierta para cielo raso. Sujete con amarres los dos cables de alimentación a los brazos de apoyo. Inserte los cables en el alivio de tensión y en la caja de conexiones. Asegure los cables apretando el alivio de tensión. Haga las conexiones eléctricas. Fig. 16.
2. Pase los cables de seguridad a través del centro de la cubierta para cielo raso y a lo largo de los brazos de apoyo, e inserte en los apoyos para cable como se muestra en la Fig. 17. Repita para cada unidad eléctrica.
 - A. Empuje el cable por las varillas de apoyo y en la cavidad de la campana.
 - B. Deslice la arandela y la abrazadera del cable con una tuerca cilíndrica hacia el cable. Tome en cuenta que la tuerca cilíndrica tiene que estar ligeramente hacia atrás de la abrazadera del cable y empujada (con el resorte comprimido) cuando se deslice el conjunto en el cable.
 - C. Empuje el conjunto de la abrazadera totalmente hacia la parte superior de la campana mientras empuja hacia abajo la tuerca cilíndrica. Fig. 17.
 - D. Cuando el conjunto esté totalmente hacia la parte superior dentro de la campana, apriete totalmente la tuerca cilíndrica. Fig. 18.
 - E. Corte el exceso de cable.



INSTALE LOS SOPORTES SUPERIORES

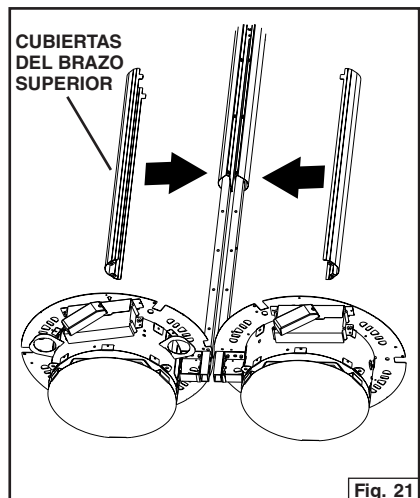
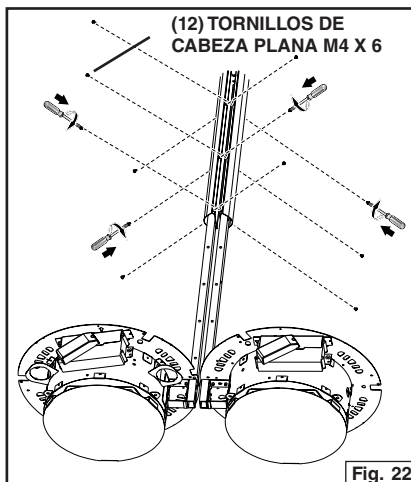
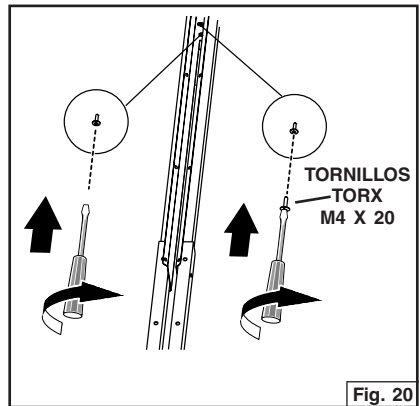
Nota: Las cubiertas se montan entre el brazo telescópico y el montaje en el soporte para cielo raso.

1. Instale los soportes superiores al brazo de montaje telescópico usando (2) tornillos Torx M4 x 20 de cabeza grande. Fig. 19 y Fig. 20. Retire el recubrimiento protector.

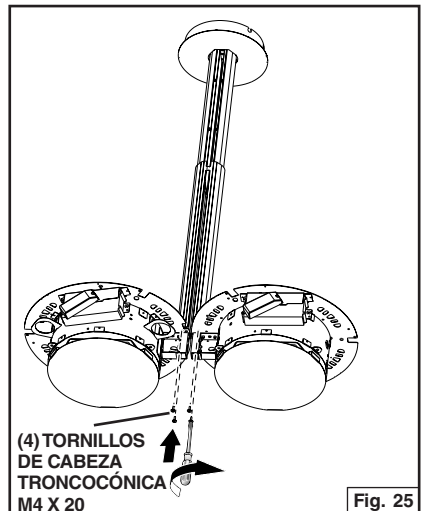
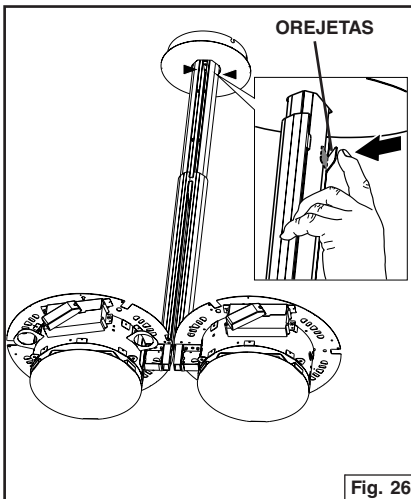
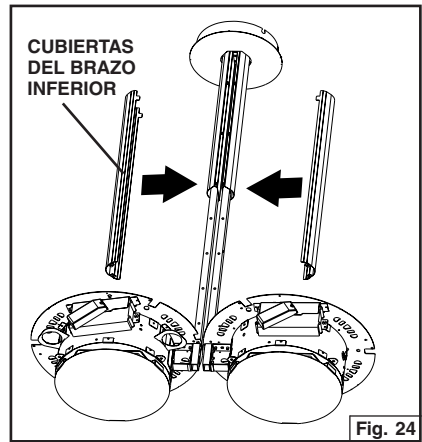
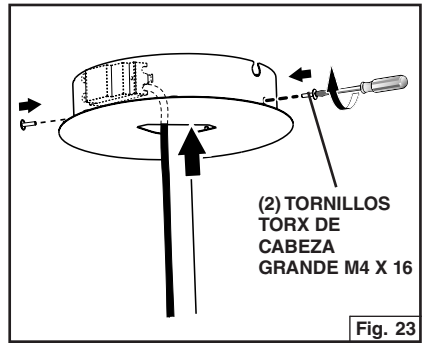


INSTALE LAS CUBIERTAS DEL BRAZO

1. Fije (2) cubiertas del brazo superior a los soportes superiores con (12) tornillos M4 x 6 de cabeza plana. Retire el recubrimiento protector. Fig. 21 y Fig. 22.



2. Instale la cubierta para cielo raso y fije con (2) tornillos Torx de cabeza grande M4 x 20. Fig. 23. Retire el recubrimiento protector.
3. Fije las cubiertas del brazo inferior con (4) tornillos de cabeza troncocónica M4 x 20. Retire el recubrimiento protector. Fig. 24 y Fig. 25.
4. Doble las dos orejetas en la cubierta del brazo inferior sobre la cubierta del brazo superior. Repita para la otra cubierta. Fig. 26.



INSTALE LAS ENVOLTURAS DECORATIVAS

1. Primero deslice la envoltura entre los brazos de apoyo. Asegúrese de que los soportes de fijación estén por arriba de la brida de la unidad eléctrica. Fig. 27 y Fig. 28.
2. Gire la envoltura decorativa de tal manera que los orificios de la envoltura coincidan con los orificios de la brida. Asegure la envoltura con (3) tornillos Torx M4 x 20 de cabeza grande. Fig. 29. Retire el recubrimiento protector. Repita para la segunda envoltura.

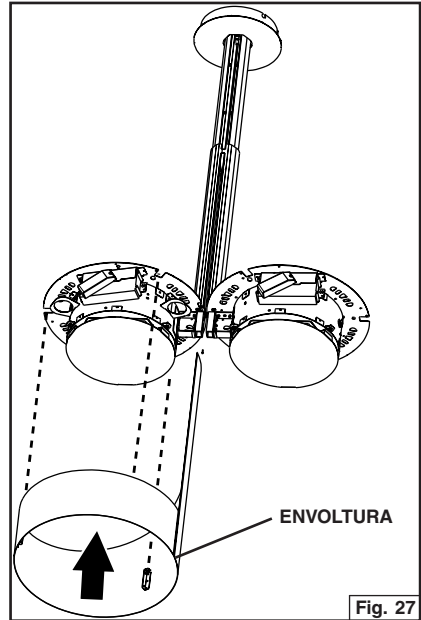


Fig. 27

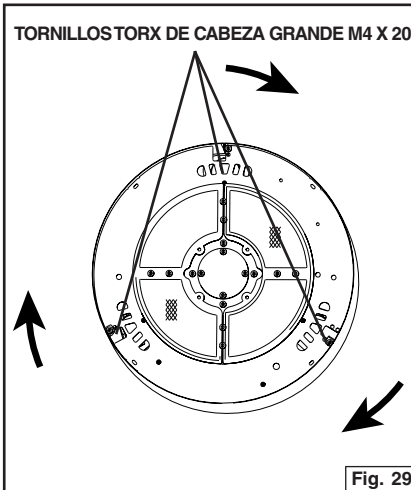


Fig. 29

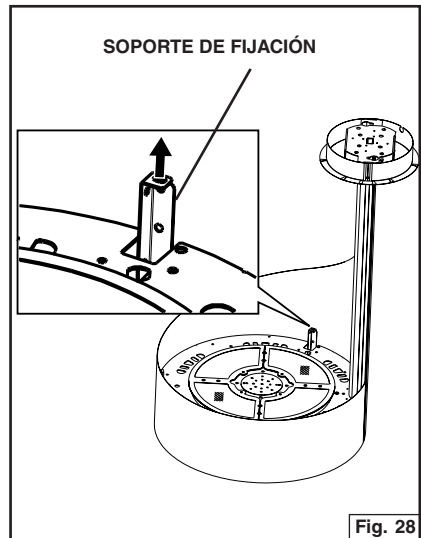
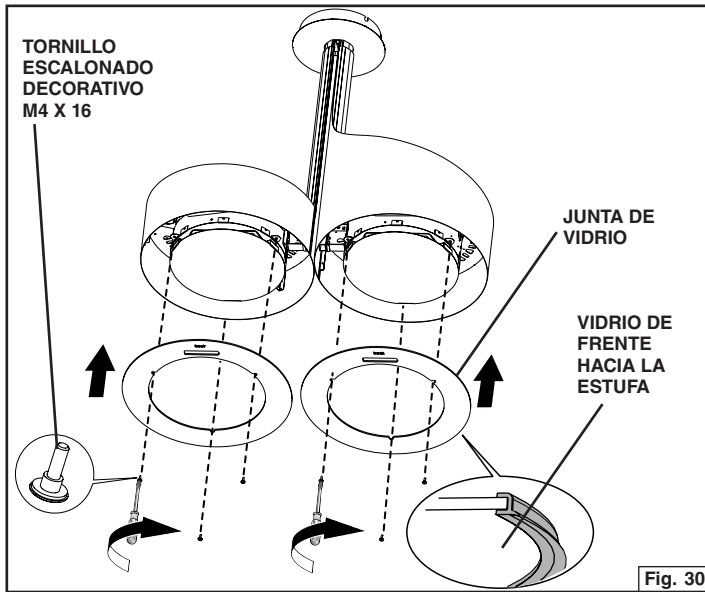
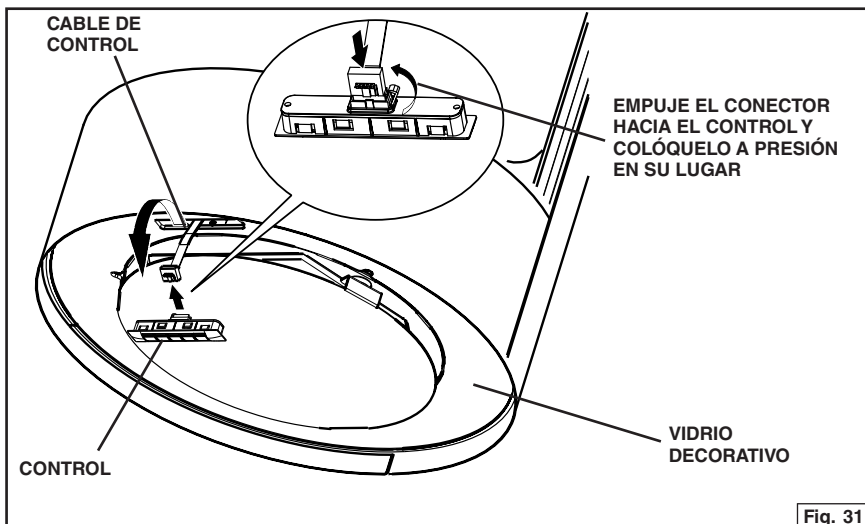


Fig. 28

3. Fije la junta de vidrio al vidrio, como se muestra. Repita para el segundo vidrio. Fig. 30.
4. Jale el cable de control a través de la abertura del vidrio. Fije el vidrio con (3) tornillos escalonados decorativos M4 x 16. Fig. 30. Repita para el segundo vidrio.

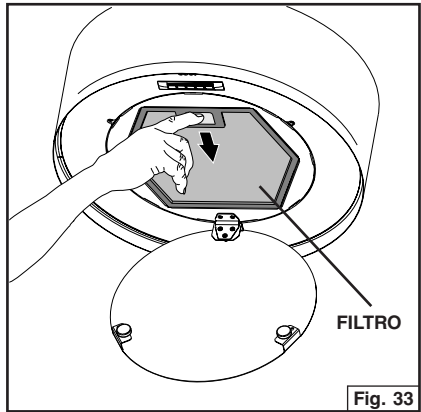
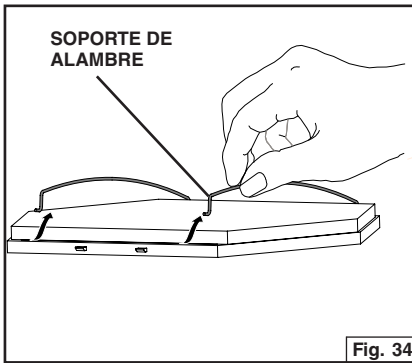
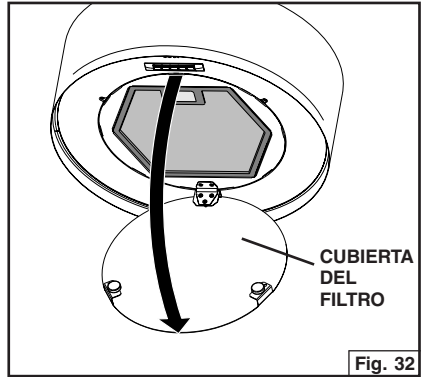


5. Fije el cable de control al control. Fig. 31.
6. Coloque a presión el control en el vidrio decorativo. Fig. 31.



INSTALACIÓN DE FILTROS

1. Retire el filtro; retire cualquier recubrimiento de protección sobre los filtros.
 - A. Gire hacia abajo la cubierta del filtro. Fig. 32.
 - B. Retire el filtro presionando la lengüeta y girando hacia abajo el filtro. Fig. 33.
 - C. Retire el filtro de carbón retirando los soportes de alambre del filtro principal. Fig. 34.
2. Repita el paso 1 y reemplace los filtros.
3. Retire todas las cubiertas protectoras de la campana.



GARANTÍA

GARANTÍA LIMITADA DE UN AÑO PARA LOS PRODUCTOS BEST

Broan-NuTone LLC (Broan-NuTone) garantiza al consumidor comprador original de los productos BEST que tales productos estarán libres de defectos en materiales o mano de obra durante un período de un año a partir de la fecha de la compra original. NO EXISTEN OTRAS GARANTÍAS, EXPRESAS NI IMPLÍCITAS, INCLUIDAS, ENTRE OTRAS, GARANTÍAS IMPLÍCITAS DE COMERCIALIZACIÓN O IDONEIDAD PARA UN PROPOSITO PARTICULAR.

Durante este período de un año, Broan-NuTone, a su criterio, reparará o reemplazará sin cargo alguno cualquier pieza o producto que se encuentre defectuoso bajo condiciones normales de uso y servicio.

LA PRESENTE GARANTÍA NO CUBRE ARRANCADORES DE LÁMPARAS FLUORESCENTES, TUBOS, BOMBILLAS HALÓGENAS E INCANDESCENTES, FUSIBLES, FILTROS, CONDUCTOS, TAPAS DE TECHO O DE PARED Y DEMÁS ACCESORIOS DE CANALIZACIÓN. Esta garantía no cubre (a) mantenimiento y servicio normales, ni (b) ningún producto o piezas que se hayan sometido a uso inadecuado, negligencia, accidente, mantenimiento o reparación inadecuada (no hecha por Broan-NuTone), instalación incorrecta o instalación en contra de las instrucciones de instalación recomendadas.

La duración de cualquier garantía implícita se limita a un período de un año, como se especifica en la garantía expresa. Algunos estados no permiten limitaciones en cuanto al tiempo de vencimiento de una garantía implícita, por lo que la limitación antes mencionada podría no aplicarse a usted.

LA OBLIGACIÓN DE BROAN-NUTONE DE REPARAR O REEMPLAZAR, A CRITERIO DE BROAN-NUTONE, SERÁ EL ÚNICO Y EXCLUSIVO RECURSO DEL COMPRADOR BAJO ESTA GARANTÍA. BROAN-NUTONE NO SERÁ RESPONSABLE POR DAÑOS INCIDENTALES, RESULTANTES O ESPECIALES QUE SURJAN DEL USO O DESEMPEÑO DEL PRODUCTO O EN RELACIÓN CON EL MISMO.

Algunos estados no permiten la exclusión o limitación de daños incidentales o resultantes, por lo que la limitación antes mencionada podría no aplicarse a usted. Esta garantía le otorga derechos legales específicos, y usted podría tener otros derechos que varían de un estado a otro. Esta garantía sustituye a todas las garantías anteriores.

Para tener derecho al servicio de la garantía, usted debe (a) notificar a Broan-NuTone a la dirección o número de teléfono que aparecen abajo, (b) proporcionar el número de modelo y la identificación de la pieza y (c) describir la naturaleza de cualquier defecto en el producto o pieza. En el momento de solicitar el servicio cubierto por la garantía, debe presentar un comprobante de la fecha de compra original.

En EE.UU. - Best®, 926 W. State Street, Hartford, WI 53027 (800-558-1711)

En Canadá - Best®, 550 Lemire Blvd., Drummondville, QC J2C 7W9 (866-737-7770)

www.BestRangeHoods.com

PIEZAS DE SERVICIO

CLAVE N.º	N.º DE PIEZA	DESCRIPCIÓN
1	B08092783	ESTRUCTURA
5	B03115221	REJILLA
9	B08087691	FILTRO DE GRASA
14	B02300976	CONDENSADOR
26	B02300891	BOMBILLA DE LÁMPARA
37	B02300804	PERILLA
38	B03292357	CAJA DE TABLEROS DE CIRCUITOS ELÉCTRICOS
39	B03294033	CUBIERTA DE LA CAJA DE TABLEROS DE CIRCUITOS ELÉCTRICOS
48	B02310731	MOTOR (HACIA LA DERECHA)
50	B03294349	SOPORTE DEL VENTILADOR
53	B03204177	ARANDELA DE HULE
76	B02005214	VIDRIO SUPERIOR
114	B03292499	CABLES
115	BE3348996	CAJA DE CONEXIÓN DEL CABLE DE ALIMENTACIÓN
116	BE3334252	CUBIERTA DE LA CAJA DE CONEXIÓN DEL CABLE DE ALIMENTACIÓN
118	BE3350690	CONDUCTO INFERIOR EXT.
119	BE3350691	CONDUCTO SUPERIOR EXT.
124	B02011387	ESTRUCTURA TELESCÓPICA INFERIOR
125	B08093200	ESTRUCTURA TELESCÓPICA SUPERIOR
144	B03292287	CLAVIJA DE TOPE PARA ALAMBRES
151	B032920200	TOPE DE CABLES DE LA CAJA ELÉCTRICA
154	B03202286	TOPE DE CABLES DE ALIMENTACIÓN
195	BE3350719	SOPORTE
202	B03292290	TOPE DEL REFLECTOR
208	B02300861	TRANSFORMADOR
312	B08092785	PANEL INTERIOR
332	B08093199	CUBIERTA
362	B02011377	RESORTE DEL VISOR DE PANTALLA
415	B03202291	GUÍA DE CABLE
	B03202442	GUÍA DE CABLE
	B03299169	GUÍA DE CABLE
474	B02300798	LÁMPARA DE HALÓGENO
477	B02011376	CIERRE
AQI	B06108625	CONJUNTO DE LA CAJA DEL INTERRUPTOR
*	B06103994	CONJUNTO DEL CONDENSADOR (INCLUYE LAS CLAVES 14, 38, 39, 151)
*	B06145147	CONJUNTO PARA INSTALACIÓN ELÉCTRICA (INCLUYE LAS CLAVES 14, 38, 39, 60, 67, 144, 151, 166, 208)
*	B080810953	JUEGO DE UNIONES (INCLUYE LA CLAVE 154)

PIEZAS DE SERVICIO

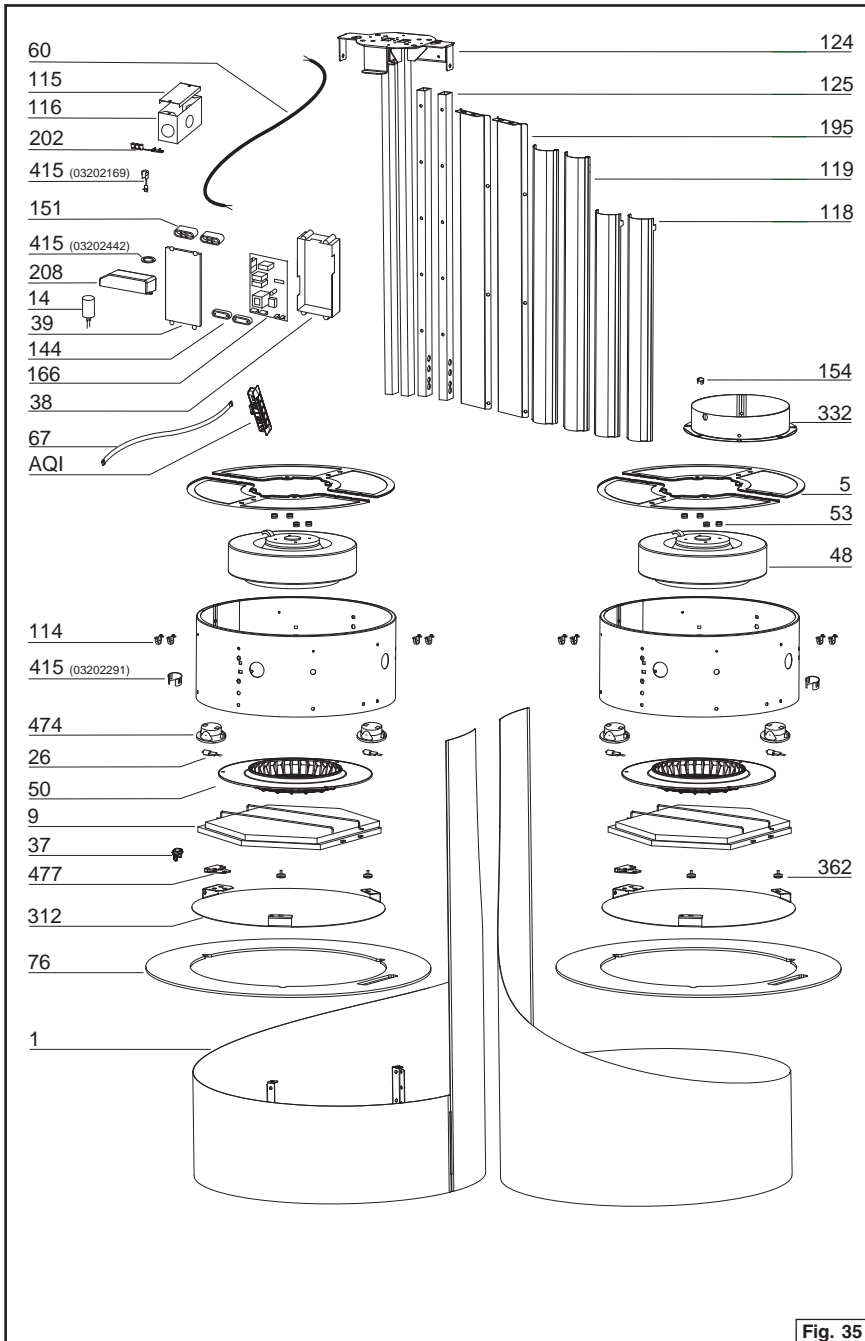


Fig. 35