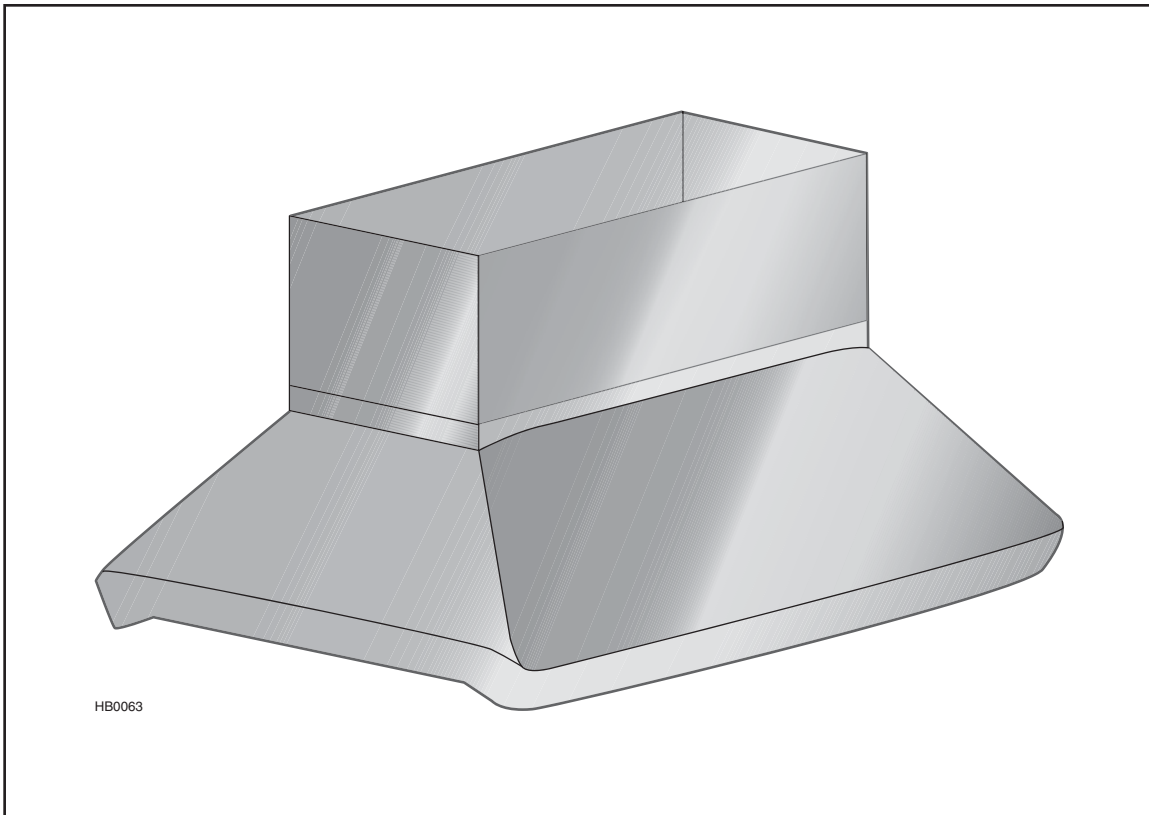


# best®



## IP29M SERIES

⚠ INTENDED FOR DOMESTIC COOKING ONLY ⚠

**READ AND SAVE THESE INSTRUCTIONS**

INSTALLER: LEAVE THIS MANUAL WITH HOMEOWNER.  
HOMEOWNER: USE AND CARE AND OPERATION INFORMATION  
ON PAGES 13 TO 16.

BEST; Hartford, Wisconsin [www.BestRangeHoods.com](http://www.BestRangeHoods.com) 800-558-1711  
BEST; Drummondville, QC, Canada [www.BestRangeHoods.com](http://www.BestRangeHoods.com) 866-737-7770

To register your product online or for additional information visit [www.BestRangeHoods.com](http://www.BestRangeHoods.com)

## **⚠️ WARNING**

### **TO REDUCE THE RISK OF FIRE, ELECTRIC SHOCK OR INJURY TO PERSONS, OBSERVE THE FOLLOWING:**

1. Use this unit only in the manner intended by the manufacturer. If you have questions, contact the manufacturer at the address or telephone number listed in the warranty.
2. Before servicing or cleaning unit, switch power off at service panel and lock service disconnecting means to prevent power from being switched on accidentally. When the service disconnecting means cannot be locked, securely fasten a prominent warning device, such as a tag, to the service panel.
3. Installation work and electrical wiring must be done by qualified personnel in accordance with all applicable codes and standards, including fire-rated construction codes and standards.
4. Sufficient air is needed for proper combustion and exhausting of gases through the flue (chimney) of fuel burning equipment to prevent backdrafting. Follow the heating equipment manufacturer's guidelines and safety standards such as those published by the National Fire Protection Association (NFPA) and the American Society for Heating, Refrigeration and Air Conditioning Engineers (ASHRAE) and the local code authorities.
5. When cutting or drilling into wall or ceiling, do not damage electrical wiring and other hidden utilities.
6. Ducted fans must always be vented to the outdoors.
7. Do not use this unit with any solid-state speed control device.
8. To reduce the risk of fire, use only metal ductwork.
9. This unit must be grounded.
10. When applicable local regulations comprise more restrictive installation and/or certification requirements, the aforementioned requirements prevail on those of this document and the installer agrees to conform to these at his own expenses.

### **TO REDUCE THE RISK OF A RANGE TOP GREASE FIRE:**

- a) Never leave surface units unattended at high settings. Boilovers cause smoking and greasy spillovers that may ignite. Heat oils slowly on low or medium settings.
- b) Always turn power pack ON when cooking at high heat or when flambeing food (i.e.: Crêpes Suzette, Cherries Jubilee, Peppercorn Beef Flambé).
- c) Clean ventilating fans frequently. Grease should not be allowed to accumulate on fan, filters or in exhaust ducts.
- d) Use proper pan size. Always use cookware appropriate for the size of the surface element.

## **⚠️ WARNING**

### **TO REDUCE THE RISK OF INJURY TO PERSONS IN THE EVENT OF A RANGE TOP GREASE FIRE, OBSERVE THE FOLLOWING\*:**

1. SMOTHER FLAMES with a close-fitting lid, cookie sheet or metal tray, then turn off the burner. BE CAREFUL TO PREVENT BURNS. IF THE FLAMES DO NOT GO OUT IMMEDIATELY, EVACUATE AND CALL THE FIRE DEPARTMENT.
2. NEVER PICK UP A FLAMING PAN — You may be burned.
3. DO NOT USE WATER, including wet dishcloths or towels — This could cause a violent steam explosion.
4. Use an extinguisher ONLY if:
  - A. You own a Class ABC extinguisher and you know how to operate it.
  - B. The fire is small and contained in the area where it started.
  - C. The fire department has been called.
  - D. You can fight the fire with your back to an exit.

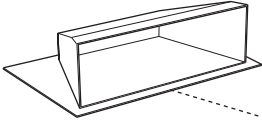
\* Based on "Kitchen Fire Safety Tips" published by NFPA.

## **CAUTION**

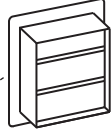
1. For indoor use only.
2. For general ventilating use only. Do not use to exhaust hazardous or explosive materials and vapors.
3. To avoid motor bearing damage and noisy and/or unbalanced impellers, keep drywall spray, construction dust, etc. off power unit.
4. Your range hood motor has a thermal overload which will automatically shut off the motor if it becomes overheated. The motor will restart when it cools down. If the motor continues to shut off and restart, have the range hood serviced.
5. For best capture of cooking impurities, the bottom of the hood should be at a minimum of 30" and at a maximum of 36" above the cooking surface.
6. Two installers are recommended because of the large size and weight of this unit.
7. To reduce the risk of fire and to properly exhaust air, be sure to duct air outside — Do not exhaust air into spaces within walls or ceiling or into attics, crawl space or garage.
8. This product is equipped with a thermostat which may start blower automatically. To reduce the risk of injury and to prevent power from being switched on accidentally, switch power off at service panel and lock or tag service panel.
9. Because of the high exhausting capacity of this hood, you should make sure enough air is entering the house. Use an appropriate make-up air device or open a window close to or in the kitchen.
10. To reduce the risk of fire and electrical shock, the Best IP29M Series hood must be installed with Best interior blower models iQ6, P3, P6, iQ12 or P12; Best exterior blower models EB6, EB9, EB12 or EB15; Best in-line blowers models ILB3, ILB6, ILB9, ILB11. Other blowers cannot be substituted. (Blowers sold separately.)
11. Please read specification label on product for further information and requirements.

# - IP29M SERIES RANGE HOOD SYSTEMS - INTERIOR BLOWERS

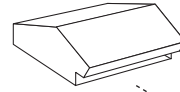
**MODEL 437**  
(HIGH CAPACITY ROOF CAP)



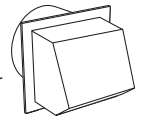
**MODEL 441**  
(10" ROUND WALL CAP)



**MODEL 634 OR 644**  
(ROOF CAP)



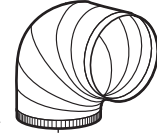
**MODEL 643**  
(8" ROUND WALL CAP)



**MODEL 418**  
(10" ROUND  
ADJUSTABLE ELBOW,  
OPTIONAL)



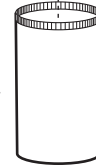
**8" ROUND  
ADJUSTABLE ELBOW,  
OPTIONAL**



**MODEL 410**  
(10" ROUND DUCT—  
2 FT. SECTIONS)



**8" ROUND  
STANDARD DUCT**



**MODEL 421**  
(10" ROUND VERTICAL IN-LINE  
DAMPER, INCLUDED WITH  
iQ12 AND P12  
BLOWER/ROUGH-IN KITS)



**8" ROUND ADAPTER/DAMPER**  
(INCLUDED WITH iQ6, P3 AND P6  
BLOWER/ROUGH-IN KITS)



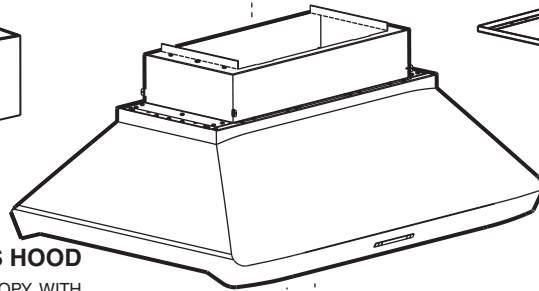
**OPTIONAL  
DECORATIVE FLUE  
AEIP SERIES**



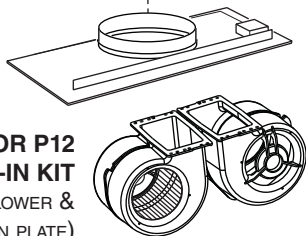
**OPTIONAL  
DRY WALL TRIM  
ATDIP SERIES**



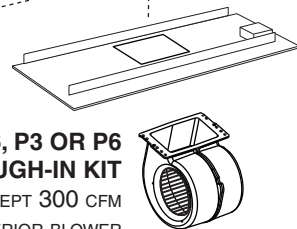
**IP29M SERIES HOOD**  
(CANOPY WITH  
BLOWER CONTROLS & LIGHTING.  
REQUIRED FOR ALL INSTALLATIONS)



**MODEL iQ12 OR P12  
BLOWER/ROUGH-IN KIT**  
(1200 CFM INTERIOR BLOWER &  
ROUGH-IN PLATE)

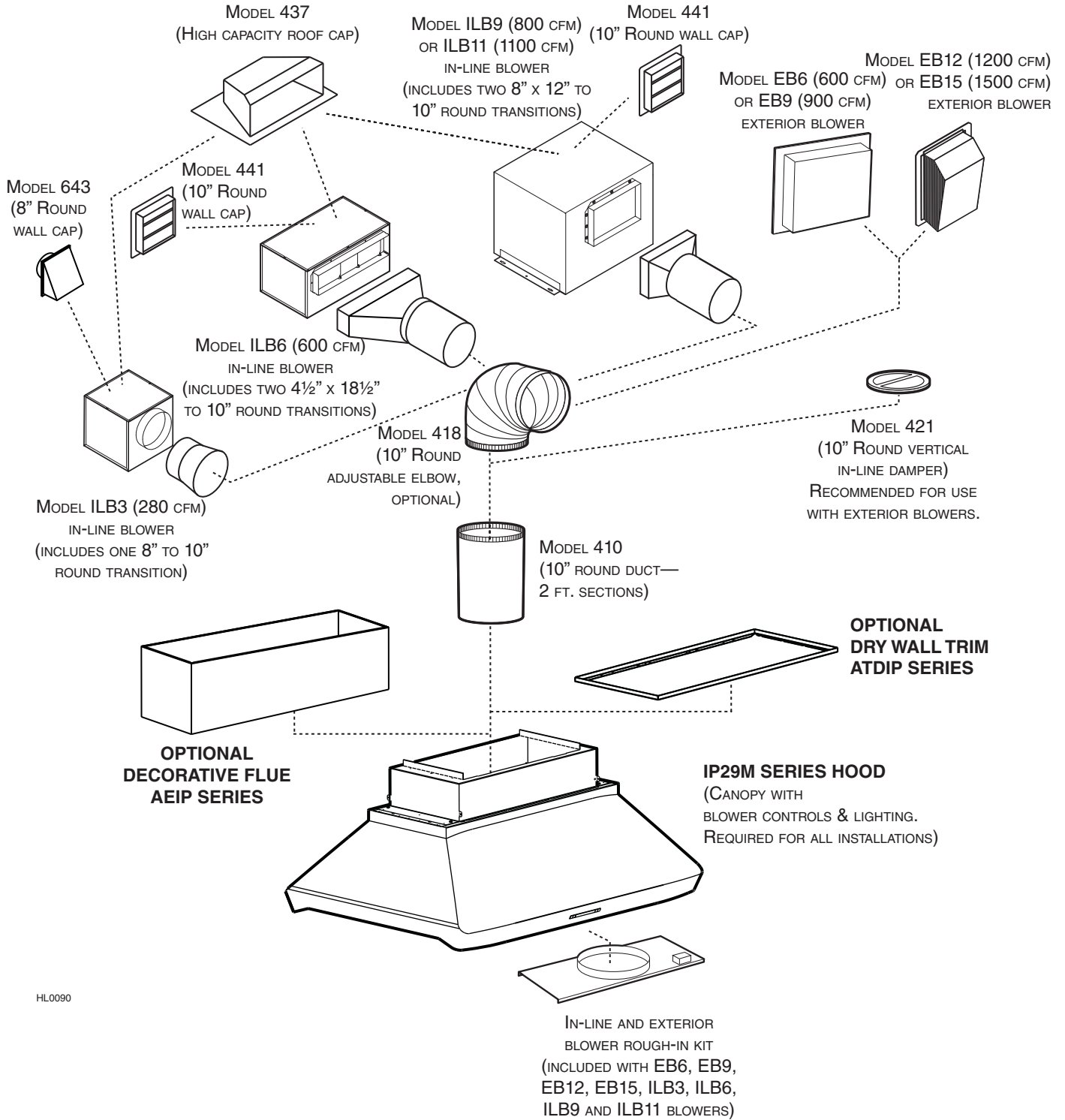


**MODEL iQ6, P3 OR P6  
BLOWER/ROUGH-IN KIT**  
(600 CFM (EXCEPT 300 CFM  
FOR P3) INTERIOR BLOWER  
& ROUGH-IN PLATE)



HL0172

# - IP29M SERIES RANGE HOOD SYSTEMS - IN-LINE AND EXTERIOR BLOWERS



HL0090

# 1. SELECT BLOWER OPTION AND INSTALLATION TYPE

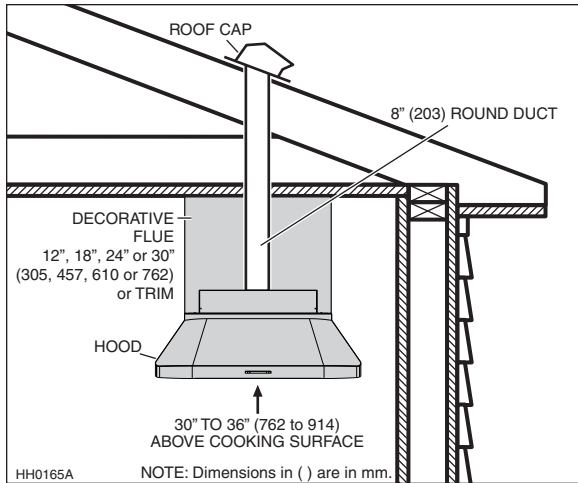
Either an interior or an exterior blower or in-line blower may be used with this hood. The Best IP29M Series must be installed with blower models iQ6, P3, P6, iQ12, P12, ILB3, ILB6, ILB9, ILB11, EB6, EB9, EB12 or EB15 only. Other blowers cannot be substituted. (Blowers sold separately.)

Plan where and how the ductwork will be installed.

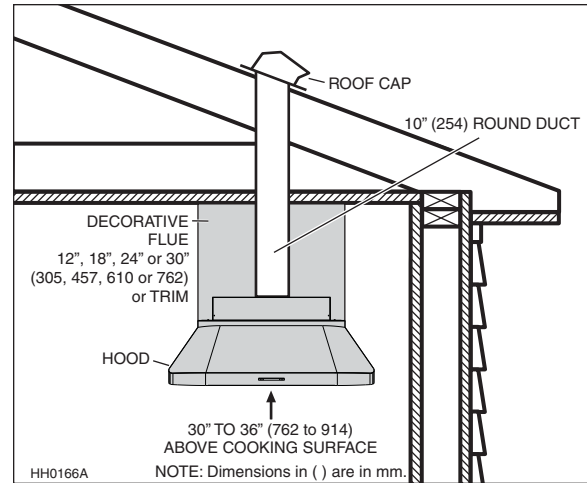
**If installing in-line blower, refer to instructions packed with in-line blower and follow steps 1 up to 9, 11 to 15, 18 and up of this manual.**

Install proper-sized ductwork, elbows and roof or wall cap for the type of blower you are installing. Use metal duct tape to seal duct joints.

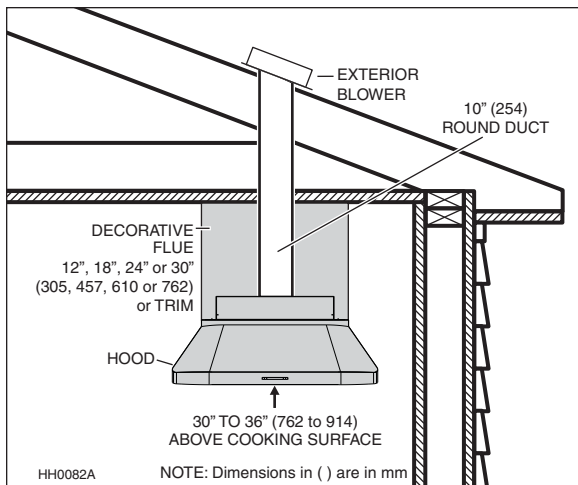
**NOTE:** It is recommended that there be a minimum of 6" of straight duct from this hood to an elbow for 8" ducting and 12" for 10" ducting.



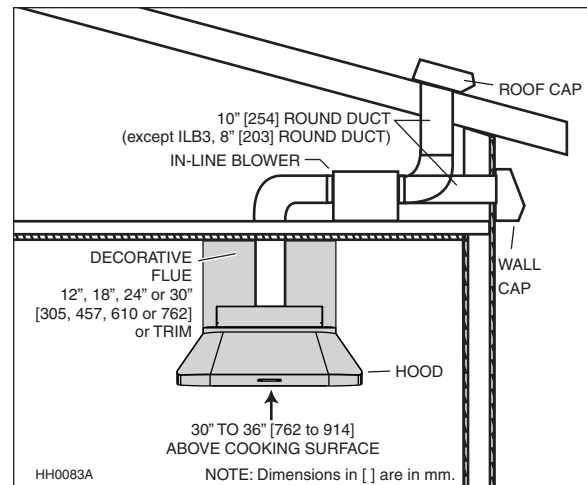
**MODEL iQ6, P3 OR P6  
SINGLE INTERIOR BLOWER  
TYPICAL DUCTWORK**



**MODEL iQ12 OR P12  
DUAL INTERIOR BLOWER  
TYPICAL DUCTWORK**



**MODEL EB6, EB9, EB12 OR EB15  
EXTERIOR BLOWER  
TYPICAL DUCTWORK**



**MODEL ILB3, ILB6, ILB9 OR ILB11  
IN-LINE BLOWER  
TYPICAL DUCTWORK**

## 2. MEASURE INSTALLATION

Dimensions for the most common installation are shown at right.

**The minimum hood distance above cooktop must not be less than 30". A maximum of 36" above cooktop is highly recommended for best capture of cooking impurities.**

Distances over 36" are at the installer and users discretion.

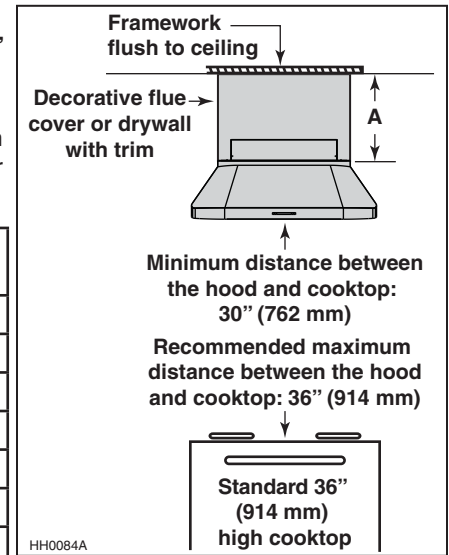
Since framework must be flush to ceiling, 4 decorative flue covers have been created to fit both hood widths and different ceiling heights. Refer to table below to choose the model that fits your needs.

DECORATIVE FLUE COVER			8' CEILING DISTANCE FROM COOKTOP		9' CEILING DISTANCE FROM COOKTOP	
MODEL	A (HEIGHT)	WIDTH	30"	36"	30"	36"
AEIP422	12"	42"		X		
AEIP542	12"	54"		X		
AEIP428	18"	42"	X			
AEIP548	18"	54"	X			
AEIP424	24"	42"				X
AEIP544	24"	54"				X
AEIP420	30"	42"			X	
AEIP540	30"	54"			X	

NOTE: For ceilings over 9', decorative flues are not available.

If a drywall box will be built instead of installing decorative flue cover, use drywall trim to hide hood and drywall junction. Refer to table below to find the appropriate model for your hood width.

MODEL	WIDTH
ATDIP42	42"
ATDIP54	54"



MINIMUM AND MAXIMUM DISTANCE OVER COOKTOP

## 3. PREPARE THE INSTALLATION

### ⚠ WARNING

**When performing installation, servicing or cleaning the unit, it is recommended to wear safety glasses and gloves.**

NOTE: Before proceeding to the installation, check the contents of the box. If items are missing or damaged, contact the manufacturer.

Remove the installation kit from inside the hood.

Make sure that the following items are included:

- Installation manual
- Accessories including:
  - Hybrid baffle filters with handles (3 for 42" width hood, 5 for 54" width hood)
  - Shielded halogen bulbs (GU10 type base, 120 V, 50 W) (6 for 42" width hood, 8 for 54" width hood)
  - Bag of parts including:
    - (10) steel wood screws no. 10 x 1.5", (10) steel washer no. 10, (6) screws no. 8 x 3/8" (additional screws provided)

Parts sold separately:

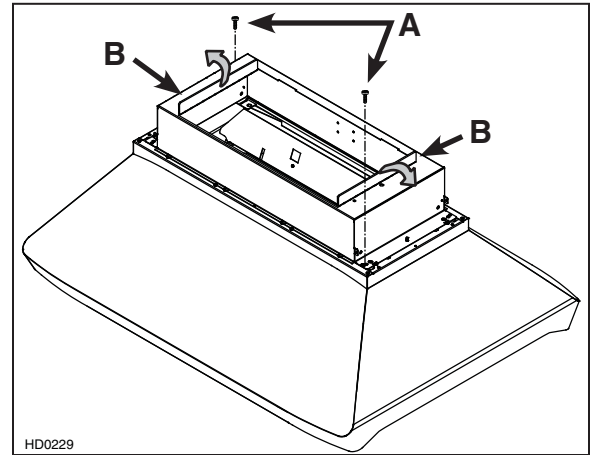
- Interior blower model iQ6, P3 or P6 (includes rough-in plate and 8" round adapter and damper).
- Interior blower model iQ12 or P12 (includes rough-in plate and 10" round vertical in-line damper, model 421).
- In-line blower assembly model ILB3, ILB6, ILB9 or ILB11 (all include transition(s) and rough-in plate)
- Exterior blower assembly model EB6, EB9, EB12 or EB15 (all include rough-in plate).
- Duct, elbows, dampers, wall and roof caps. Refer to pages 3 and 4 for a complete list of venting options and model numbers.
- Optional decorative flue cover AEIP Series, 12", 18", 24" or 30" height and 42" or 54" width.
- Optional dry wall trim ATDIP Series, 42" or 54" width.

### LINKLOGIC® ENABLED HOOD

This hood includes the LinkLogic system which allows communication over ordinary household electrical wiring to other LinkLogic devices including the Broan Smart Sense Fan system. If you intend to use this hood with another LinkLogic device, follow the instructions found in Section 21 along with the instructions that come with the LinkLogic device you plan to use.

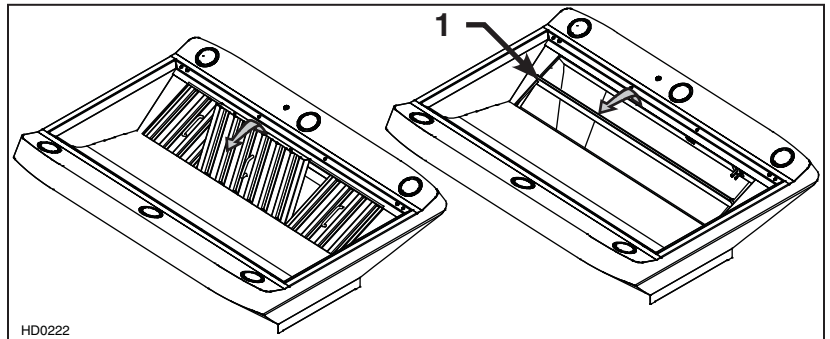
## 4. PREPARE THE BLOWER HOUSING

Detach the blower housing from the hood by removing both retaining screws (A). Keep the screws for further use.  
Fold up both flanges (B). The flanges must be perpendicular to the top of the blower housing.



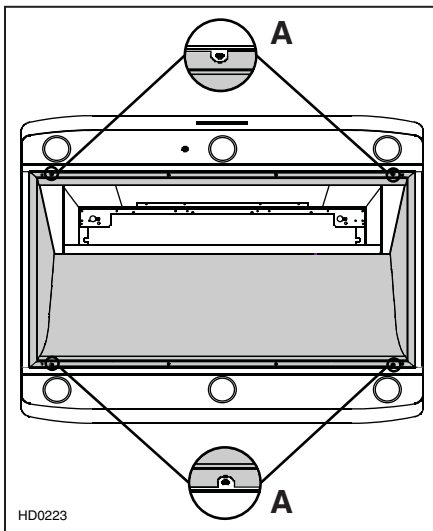
## 5. REMOVE THE FILTERS AND THE GREASE DRIP RAIL

- A. Remove tape on filters. Remove filters from hood and set aside.  
NOTE: It is recommended to start with the center one.
- B. Remove tape on grease drip rail (1).  
Lift out grease drip rail and set aside.

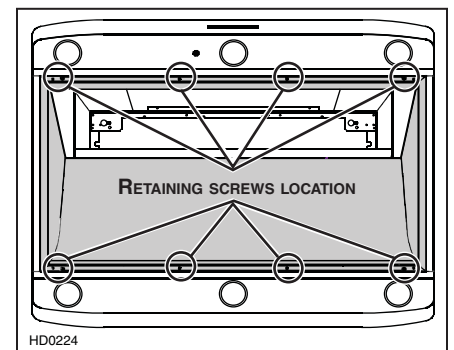


## 6. REMOVE THE PAN

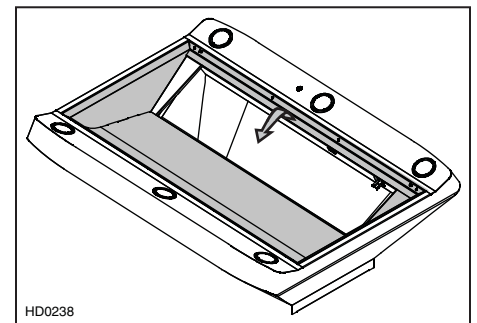
NOTE: Do not remove the 4 screws located on the notched parts of the pan (A on figure below).



Using a Phillips no. 2, remove 8 screws retaining the pan (shaded part on illustration at right) to the hood.



Remove the pan and set aside.



# 7. BUILD THE FRAMEWORK

## ⚠ WARNING

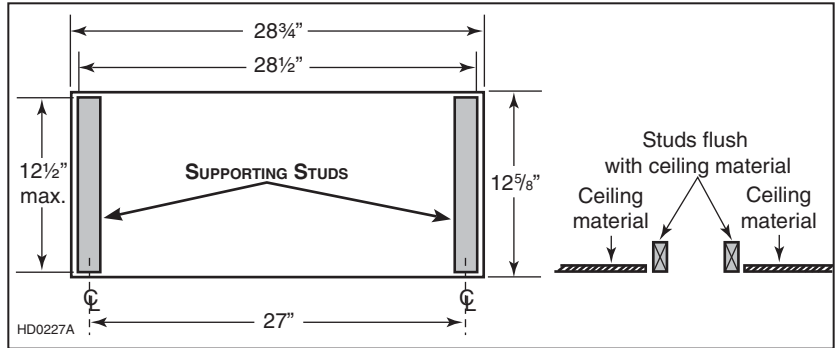
**When building framework, always follow all applicable construction codes and standards.**

The framework must be sized to support the total weight of the hood. Refer to the table below for total weight of the hood, according to the type of blower chosen.

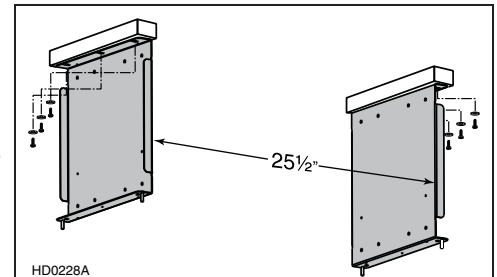
HOOD WIDTH	WITH IQ6, P3 OR P6 INTERIOR BLOWER	WITH IQ12 OR P12 INTERIOR BLOWER	WITH IN-LINE OR EXTERIOR BLOWER (ROUGH-IN PLATE ONLY)
42"	71 LB.	84 LB.	52 LB.
54"	86 LB.	99 LB.	67 LB.

### 7.1 SUGGESTED FRAMEWORK FOR INSTALLATION WITH DECORATIVE FLUE COVER AEIP SERIES

In the ceiling material, cut-out a 28¾" x 12½" max. opening over the installation location. Install two supporting studs inside the cut-out at dimensions shown at right.



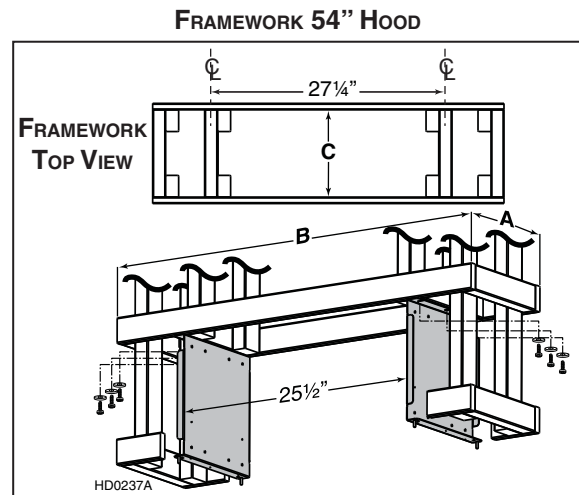
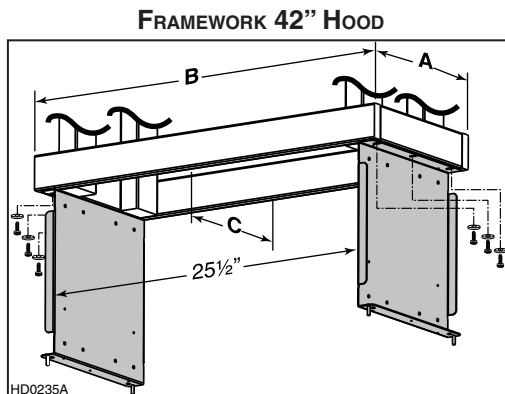
Using provided wood screws no. 10 x 1.5" and washers, assemble both mounting brackets (included with the optional decorative flue cover) to the framework. See illustration at right.



### 7.2 SUGGESTED FRAMEWORK FOR INSTALLATION WITH DRYWALL TRIM ATDIP SERIES

Below is the suggested framework for both 42" and 54" width hoods to be installed with drywall trim ATDIP Series. Refer to the table and illustrations below for the dimensions according to the hood width. Using provided wood screws no. 10 x 1.5" and washers, assemble both mounting brackets (included with the optional drywall trim) to the framework.

HOOD WIDTH	A WITH 5/8" DRYWALL	A WITH 1/2" DRYWALL	B WITH 5/8" DRYWALL	B WITH 1/2" DRYWALL	C
42"	11 5/8"	11 7/8"	28 5/8"	28 7/8"	10" MINIMUM
54"	11 5/8"	11 7/8"	40 5/8"	40 7/8"	10" MINIMUM

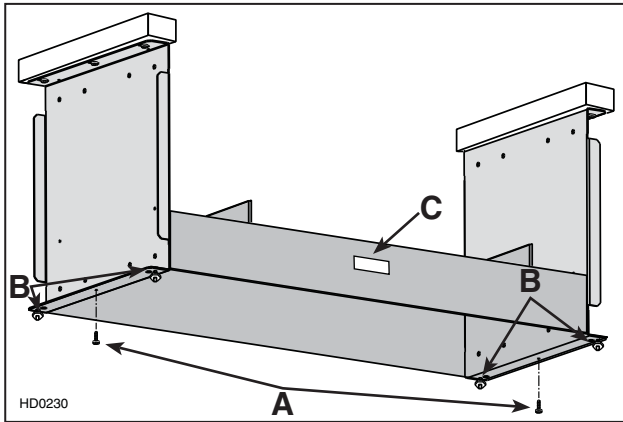




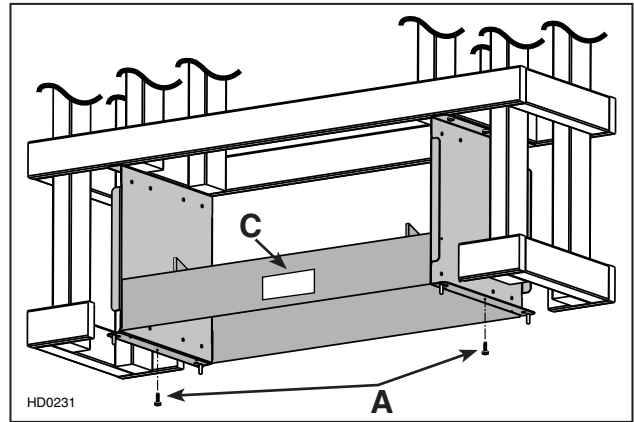
## 8. INSTALL BLOWER HOUSING

Use both screws (A) previously removed in step 4 to assemble the blower housing to the mounting brackets. For installation with decorative flue cover AEIP Series only, place 4 nuts (B) (from flue cover parts bag) on the pem studs, leaving 1/4" for the hood installation. The blower housing must be installed in such a way that its label (C) will be on the same side as the hood control side. See illustrations below.

INSTALLATION WITH DECORATIVE FLUE COVER AEIP SERIES



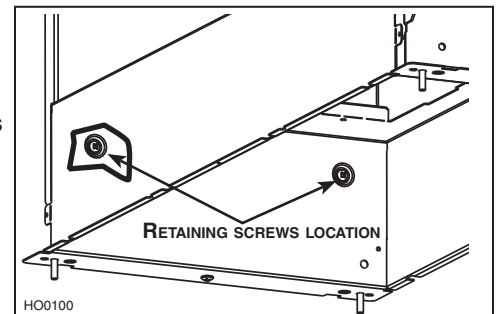
INSTALLATION WITH DRYWALL TRIM ATDIP SERIES



## 9. SECURE BLOWER HOUSING TO BRACKETS

From the inside, secure the blower housing to mounting brackets, using 2 no. 8 x 3/8" screws per side.

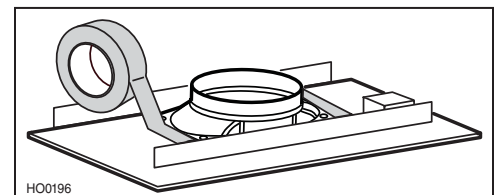
Screws must be installed in embossed sections, see details at right.



## 10. INSTALL 8" ROUND ADAPTER AND DAMPER TO ROUGH-IN PLATE (iQ6, P3 OR P6 INTERIOR BLOWERS ONLY)

Attach transition to iQ6, P3 or P6 blower rough-in plate.

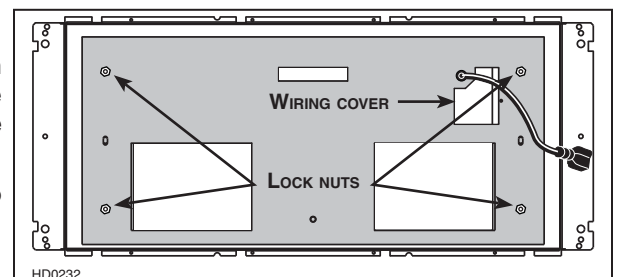
Use metal duct tape to make all joints secure and air-tight.



## 11. INSTALL THE ROUGH-IN PLATE IN THE BLOWER HOUSING

Run power cable to installation location. Refer to the instructions included with the selected blower/rough-in kit (sold separately) for details on installing the rough-in plate. Install the rough-in plate so that the wiring box is located on the right side when facing the hood, as specified on the blower housing label.

Connect adapter/damper or rough-in plate (according to blower model) to ductwork. Use metal duct tape to make all joints secure and air-tight.



## 12. CONNECT THE WIRING

### ⚠ WARNING

**Risk of electric shock. Electrical wiring must be done by qualified personnel in accordance with all applicable codes and standards. Before connecting wires, switch power off at service panel and lock service disconnecting means to prevent power from being switched on accidentally.**

Remove wiring cover from rough-in plate and set aside.

Connect wires as follow: BLACK to BLACK, WHITE to WHITE and GREEN or bare wire under GREEN ground screw. **DO NOT FORGET TO CONNECT THE GROUND.** Reinstall wiring cover.

## 13. FINISH THE DRYWALL BOX (INSTALLATION WITH DRYWALL TRIM ATDIP SERIES ONLY)

Finish the drywall box. Check fitting with dry wall trim before mounting it to the hood.

## 14. MOUNT THE DECORATIVE FLUE COVER OR THE DRYWALL TRIM ON THE HOOD

### ⚠ WARNING

**The decorative flue cover AEIP Series and the drywall trim ATDIP Series may have sharp edges. Be careful when handling and installing these metal parts.**

### 14.1 INSTALLATION WITH DECORATIVE FLUE COVER AEIP SERIES

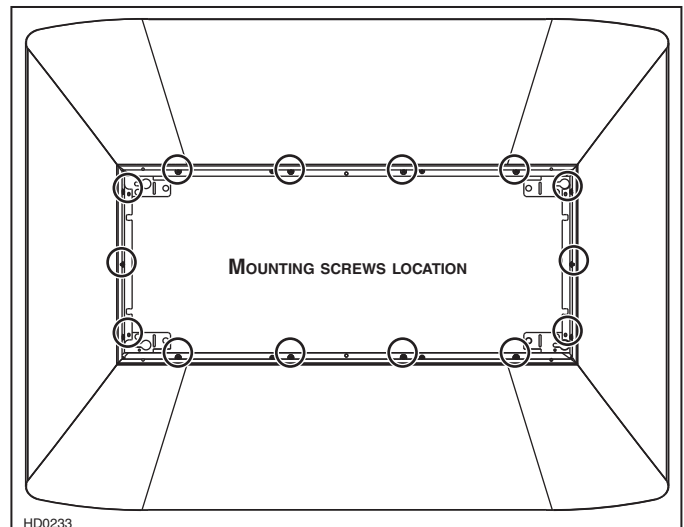
Remove the protective plastic film covering the decorative flue cover AEIP Series. Assemble the flue cover on top of hood using (14) no. 8 x 3/8" screws (provided with decorative flue cover). See illustration at right to locate mounting screws from top of hood.

NOTE: Ensure edges fit perfectly before tightening completely the mounting screws.

### 14.2 INSTALLATION WITH DRYWALL TRIM ATDIP SERIES

Remove the protective plastic film covering the drywall trim ATDIP Series. Assemble the drywall trim on the top of the hood using (14) no. 8 x 3/8" screws (provided with drywall trim). See illustration at right to locate mounting screws from top of hood.

NOTE: Ensure edges fit perfectly before tightening completely the mounting screws.



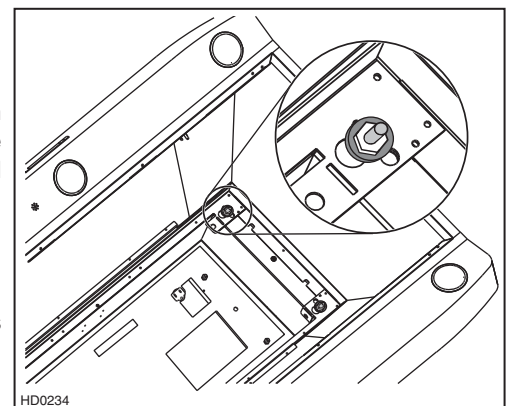
## 15. INSTALL THE HOOD

### 15.1 INSTALLATION WITH DECORATIVE FLUE COVER AEIP SERIES

Assemble the hood assembly to the mounting brackets by aligning keyholes with 4 nuts previously installed in step 8 (2 nuts per side). While holding the hood, remove one nut and install a washer (included in parts bag) on each pem stud, then reinstall the nut and tighten it. See illustration at right.

### 15.2 INSTALLATION WITH DRYWALL TRIM ATDIP SERIES

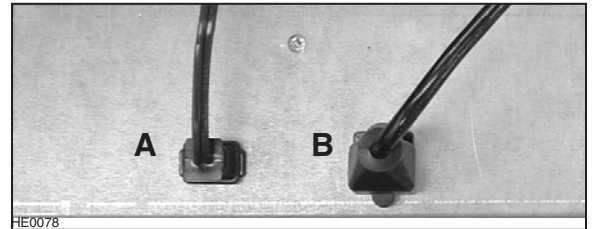
Align hood keyholes with pem studs on brackets. Secure the hood to the brackets using washers and nuts (included in parts bag). See illustration at right.



## 16. INSTALL THE BLOWER (INTERIOR OR EXTERIOR BLOWER)

Refer to instructions included with blower.

Once the blower is installed, plug the blower cord (A) into the female receptacle and the power supply cord (B) onto the male connector inside the hood.

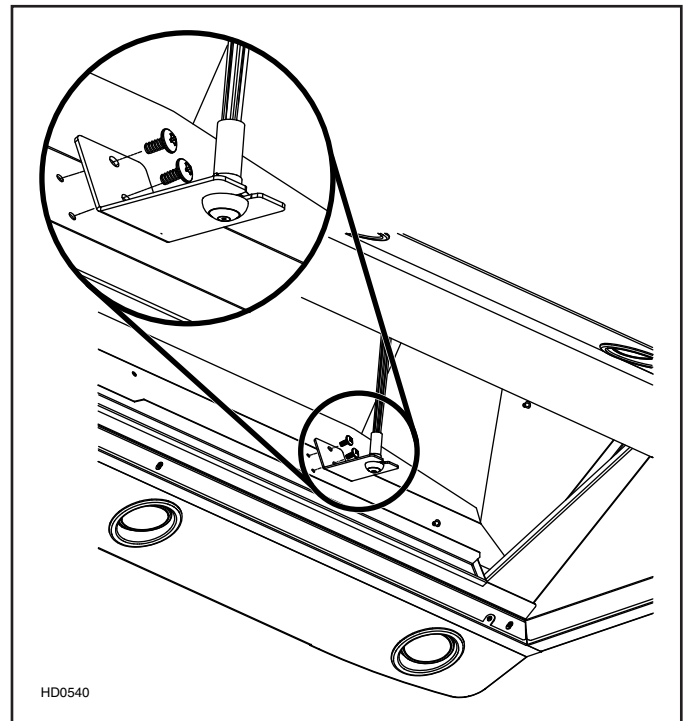


### **⚠ WARNING**

**Do not plug the two cords into each other.**

## 17. INSTALL THE CALIBRATION BUTTON BRACKET IN THE HOOD (iQ6 AND iQ12 INTERIOR BLOWERS ONLY)

Both iQ6 and iQ12 blowers are equipped with a calibration button already mounted to its own bracket. Install this bracket in the hood, using 2 screws provided with iQ6 or iQ12 interior blower.

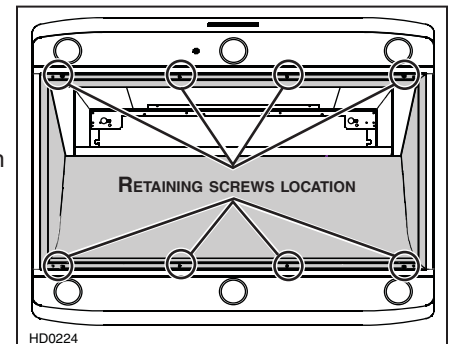


## 18. REINSTALL THE PAN

### **CAUTION**

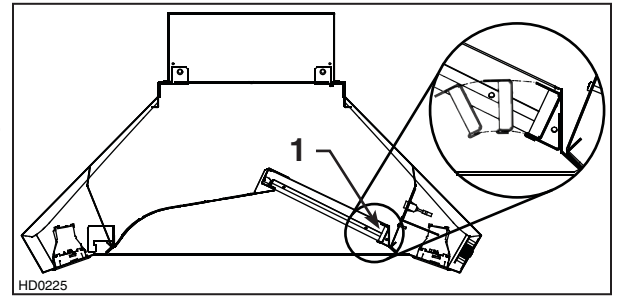
**Remove protective plastic film covering pan sides and tape over halogen lamps.**

Using a Phillips no. 2 or Robertson no. 2 screwdriver and the retaining screws, reinstall the pan (previously removed in step 6) inside the hood (shaded part on illustration at right).



## 19. REINSTALL GREASE DRIP RAIL AND BAFFLE FILTERS

Reinstall grease drip rail (1). The illustration at right shows how to reinsert the grease drip rail(s) into the range hood.



### CAUTION

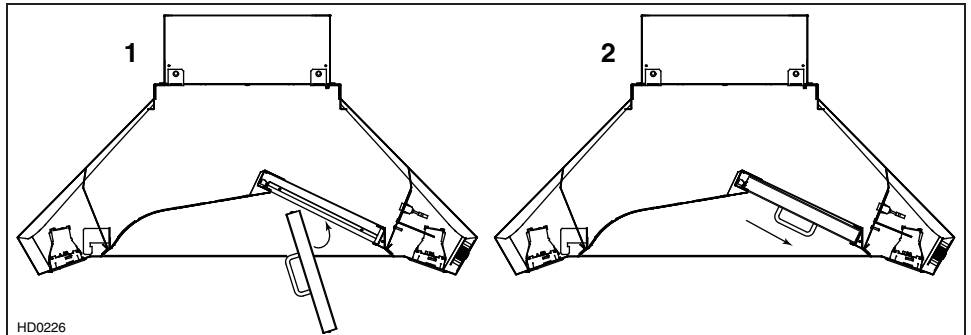
**Remove protective plastic film covering hybrid baffle filters before installing them.**

Reinstall hybrid baffle filters on the hood.

It is recommended to install side filters first and finish with center one.

1. Insert one end of hybrid baffle filter into the front channel of the hood.
2. Raise the other end toward the inside of hood and insert in the grease drip rail of the hood.

Replacement filters are available from your dealer. See label inside hood for size and part number.



## 20. LIGHT BULBS REPLACEMENT

This hood requires shielded halogen lamps (120 V, 50 W, MR16 with GU10 base or PAR16 with GU10 base), included.

NOTE: Before using lamps, remove shipping tape on them (if present).

### ⚠ WARNING

**Do not touch lamps during or soon after operation. Burns may occur. In order to prevent the risk of personal injury, only install shielded halogen lamps. Also, never install a cool beam, a dichroic lamp, a lamp not suitable for use in recessed luminaires or identified for use in enclosed fixtures.**

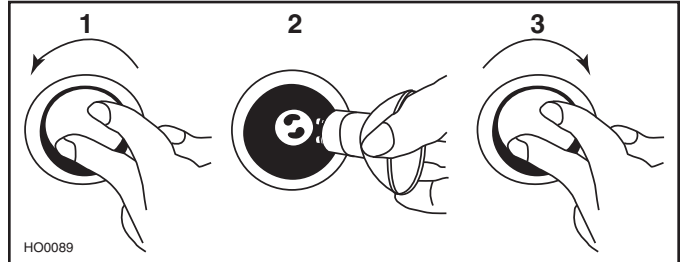
1. To remove lamps, gently push upwards and turn counterclockwise to disengage bulb leads from their grooves.

NOTE: If need be, use a rubber dishwashing glove to add grip when removing the bulb.

2. Install the new lamps by placing the bulb leads into their grooves in the socket.

3. Gently push upwards and turn clockwise until secure.

NOTE: If need be, use a rubber dishwashing glove to add grip when removing the bulb; or use suction cup tool available from Best to ease removal of the bulbs. Contact Best Technical Support at 1-800-558-1711 to order suction cup tool, part number 99526707.



## 21. USE AND CARE

### Hybrid Baffle Filters

The hybrid baffle filters should be cleaned frequently. Use a warm detergent solution. Wash more often if your cooking style generates greater grease—like frying foods or wok cooking.

Remove hybrid baffle filters by pushing them towards the back of hood and rotating filters downward. Baffle filters are dishwasher safe. Allow filters to dry completely before reinstalling them in the hood.

Clean all-metal filters in the dishwasher using a non-phosphate detergent. Discoloration of the filter may occur if using phosphate detergent or as a result of local water conditions — but this will not affect filter performance. This discoloration is not covered by the warranty.

### Grease Drip Rail

The grease drip rail should be cleaned frequently. Lift it out from the hood and use a warm detergent solution. As for the baffle filters, wash more often if your cooking style generates greater grease—like frying foods or wok cooking. Allow grease drip rail to dry completely before reinstalling it in the hood.

### Blower Cleaning

Remove the filters in order to access the blower. Vacuum blower to clean. Do not immerse in water. Refer to blower instruction manual for more details.

### Hood cleaning

Stainless steel cleaning: How to maintain its “BRIGHT LOOK”

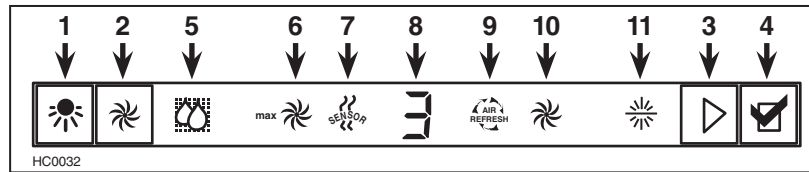
Do:	Don't:
<ul style="list-style-type: none"><li>Regularly wash with clean cloth or rag soaked with warm water and mild soap or liquid dish detergent.</li><li>Always clean in the direction of original polish lines.</li><li>Always rinse well with clear water (2 or 3 times) after cleaning. Wipe dry completely.</li><li>You may also use a specialized household stainless steel cleaner.</li></ul>	<ul style="list-style-type: none"><li>Use any steel or stainless steel wool or any other scrapers to remove stubborn dirt.</li><li>Use any harsh or abrasive cleansers.</li><li>Allow dirt to accumulate.</li><li>Let plaster dust or any other construction residues reach the power pack. During construction/renovation, cover the power pack to make sure no dust sticks to stainless steel surface.</li></ul>

### Avoid when choosing a detergent:

- Any cleaners that contain **bleach** will attack stainless steel.
- Any products containing: **chloride, fluoride, iodide, bromide** will deteriorate surfaces rapidly.
- Any combustible products used for cleaning such as **acetone, alcohol, ether, benzol**, etc., are highly explosive and should never be used close to a range.

## 22. OPERATION

Always turn ON your hood before you begin cooking in order to establish an air flow in the kitchen. Let the blower run for a few minutes to clear the air after you turn off the range. This will help keep the whole kitchen cleaner and brighter.



1. Halogen light push button/  
LinkLogic® Master Link Mode push button
2. Blower push button
3. Enable/Disable functions push button/  
LinkLogic® Erase Link push button
4. Grease filter reset push button/  
LinkLogic® Link Mode push button
5. Grease filters maintenance icon
6. Maximum blower speed icon
7. Particulates sensor icon
8. Blower speed level/  
LinkLogic® state icon
9. Air refresh function icon
10. Blower speed icon
11. LinkLogic® icon

### Cooktop Lighting (Halogen)

- The halogen lighting is controlled by the light push-button (item 1 on illustration above). Push once to turn ON the lights, and push a second time to turn the lights ON to a brighter level. If the lights are at the highest level, pressing another time will set them to the lowest intensity.
- Press on the push-button and maintain for 1 second to turn Off the lights and set the memorized intensity. When turned on, the halogen bulbs will light cooktop at the previous setting.
- Use 120 V, 50 W, MR16 with GU10 base or PAR16 with GU10 base, shielded halogen lamps (included).

### Blower

- The blower is controlled by the blower push-button (item 2 on illustration above). Push once to turn ON the blower, and push a second time to set the blower speed to a higher level. If the blower speed is on maximum level, pressing another time will turn the blower to the lowest speed.
- When power level 1 is activated from OFF, 100% of power level is activated during 0.3 second acting as a “kick-start”
- Press on the push-button and maintain for 1 second to turn Off the blower and set the memorized speed. When turned ON, the blower will operate at the previous setting.
- When the blower is ON, the speed level is shown by the center icon (item 8 on illustration above) while the icon 10 appears (the speed of the rotational movement is proportional to the blower speed).
- When the blower is on the higher speed, the icon 10 shuts off and the icon 6 appears with “max” (the symbol has a rotational movement).

### Functions

Pressing on Enable/Disable functions push-button (item 3 on illustration above) allows to control Particulate Sensor and Air Refresh hood functions.

#### Particulates Sensor

- To activate the particulate sensor function, press on Enable/Disable functions push-button (item 3 on illustration above), the particulates sensor icon (item 7 on illustration above) will appear.
- When the sensor is activated, the blower turns ON automatically when some particulates, vapors or smokes caused by cooking process, or abnormal gas emissions in the environment are detected. The blower speed is automatically set depending on the particulates amount and the sensibility settings of the particulates sensor. See next paragraph.
- To stop the particulates sensor function, press on Enable/Disable functions push-button until particulates sensor icon turns off.

#### Particulates sensor sensibility settings

- Press on Enable/Disable functions push-button (item 3 on illustration above) to activate the particulate sensor function, this will light up the particulates sensor icon (item 7 on illustration above). Then, press and maintain for 2 seconds the Enable/Disable functions push-button: the sensor sensibility level will appear on center icon (item 8 on illustration above).
- Press again on this push-button to change the sensor sensitivity level (from 0 [minimum sensitivity] up to 9 [maximum sensitivity]).
- Press on the grease filter reset push button (item 4 on the illustration above) to confirm (or is confirmed automatically after 5 seconds).

#### Air Refresh

- To activate the air refresh function, press on Enable/Disable functions push-button (item 3 on illustration above), the air refresh function icon (item 9 on illustration above) will appear.
- To stop the air refresh function, press on Enable/Disable functions push-button until air refresh icon turns off.
- Air refresh function activates only when blower is OFF. When activated, the blower hood recycles the air in the environment in perfect silence, starting every 50 minutes (for 10 minutes, on first speed).

#### Grease filter reset

- Once the grease filter cleaning is done, press on the grease filter reset push-button (item 4 on control illustration) to reset the filter maintenance timer. This will also shut off the grease filter maintenance icon (item 5 on control illustration).

## 23. OPERATION (CONT'D)

### Grease filter maintenance indicator

- After 30 hours of operation, the grease filter maintenance icon (item 5 on control illustration) appears. This means filters need to be cleaned.
- Once the grease filter cleaning is done, press on grease filter reset push-button to reset the filter maintenance timer.

### Interface backlighting

- Off mode (Blower off, Particulates sensor and Air refresh modes disabled): Backlighting is off.
- Halogen lighting activated: does not affect backlighting.
- Blower turns on: Backlighting at maximum intensity.
- Particulates sensor and Air refresh mode activated: Backlighting at maximum intensity.
- Particulates sensor at sensitivity settings and Air refresh in activated mode: Backlighting at minimum intensity.

### HEAT SENTRY™

This hood is equipped with a HEAT SENTRY™ thermostat. This thermostat is a device that will start or speed up the blower if it senses excessive heat above the cooking surface.

- If blower is OFF—it turns the blower to speed 3 (blower speed icon shows H).
- If blower is ON—it turns the blower up to speed 3 (blower speed icon shows H).

NOTE: When Heat Sentry™ is activated, Air refresh mode and Particulate sensor are inactivated. Also, communication coming from the LinkLogic® Module is disabled.

### ⚠ WARNING

**The HEAT SENTRY can start the blower during a range top fire or other excessive heat situations even if the hood is turned off. In this case, it is impossible to turn the blower OFF using control panel buttons. If you must stop the blower, unplug the blower power cord (located behind the filters) from the hood by pulling on its 2-prong connector; do not pull on the wire.**

- When the temperature level drops to normal, the blower will return to its original setting (blower speed icon will show the original blower speed).
- To turn off the blower when Heat Sentry™ is activated, press and hold the blower push-button (item 2 on illustration) for more than 1 second.

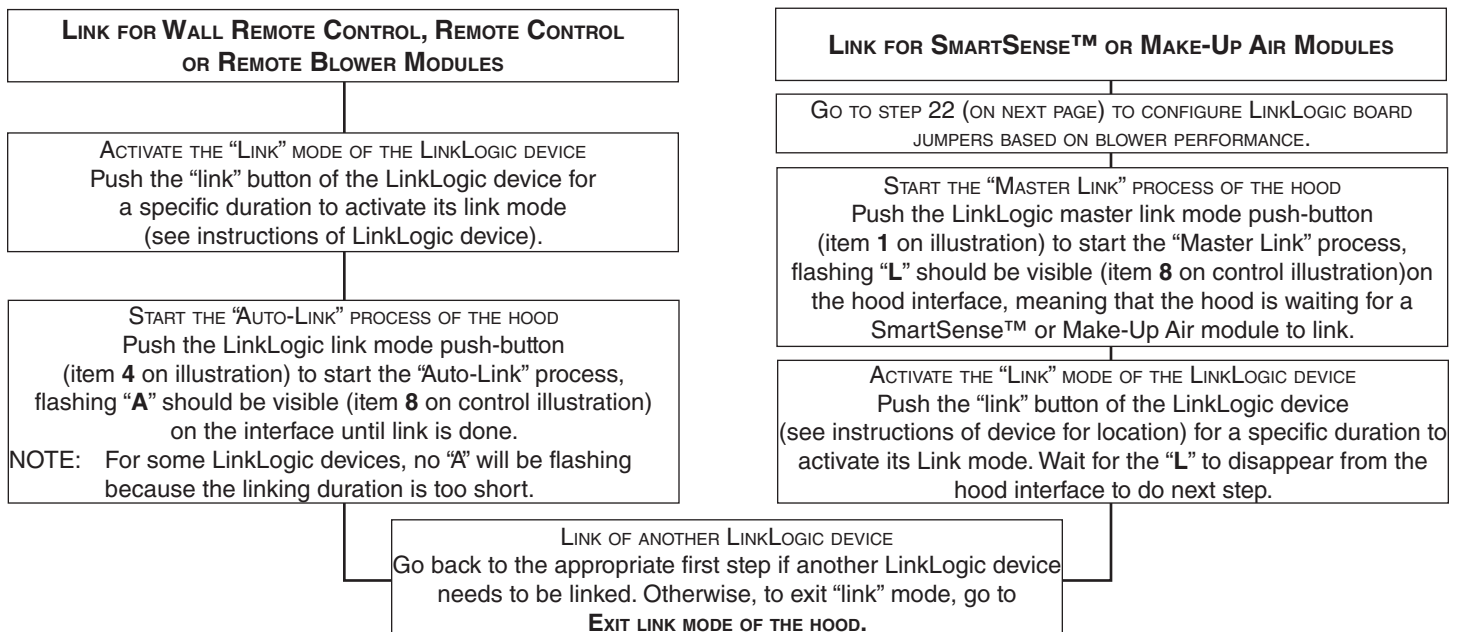
### LinkLogic® Network compatibility

Your IP29M Series range hood can be linked to LinkLogic network, if installed in your house.

### LINKLOGIC LINKING INSTRUCTIONS

#### A. ACTIVATE THE “LINK” MODE OF THE HOOD

Push the LinkLogic link mode push-button (item 4 on control illustration) for 2 seconds; the LinkLogic icon of the interface (item 11 on control illustration) should be visible and backlighting is full intensity at that point.



#### B. EXIT LINK MODE OF THE HOOD

Press and hold LinkLogic link mode push-button (item 4 on control illustration) for 2 seconds to exit “link” mode. Link mode remains activated for 4 minutes if no other operation is done.

## 23. OPERATION (CONT'D)

### ERASE LINK PROCESS

#### A. ACTIVATE THE “LINK” MODE OF THE HOOD

Push the LinkLogic link mode push-button (item 4 on control illustration) for 2 seconds; the LinkLogic icon of the interface (item 11 on control illustration) should be visible and backlighting is full intensity at that point.

#### B. ERASE ALL LINKED LINKLOGIC DEVICES

Push the LinkLogic erase link push-button (item 3 on control illustration) for 2 seconds to start the “Erase Link” process, flashing “E” should be visible (item 8 on control illustration) on the hood interface until links are erased.

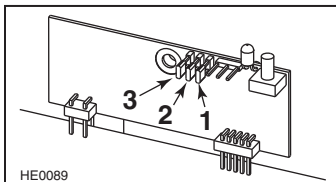
#### C. EXIT “LINK” MODE OF THE HOOD

Press and hold LinkLogic link mode push-button (item 4 on control illustration) for 2 seconds to exit “link” mode. Link mode remains activated for 4 minutes if no other operation is done.

**NOTE:** If during normal operation of the range hood, the LinkLogic Icon (item 11 on control illustration) starts blinking, an error occurred while communicating with a linked LinkLogic device. To reset this error flag, customer needs to enter and exit the Linking mode as explained previously. This will erase the error flag until it happens again. If the problem happens again, it is recommended to erase all links and start back the whole linking process.

## 24. LINKLOGIC SYSTEM CONTROL BOARD JUMPERS

The LinkLogic system is designed to work with devices like the Broan Smart Sense Fan system that requires CFM output or this range hood. If you are using this hood with a LinkLogic device that requires CFM information, please follow the simple instruction/matrix below to configure the LinkLogic control board in the hood to provide the correct CFM information. To access the LinkLogic control board, remove baffle filters, grease drip rail and hood pan (see steps 5 and 6). Remove both screws retaining the control panel to the hood. Rotate carefully the control panel in order to see the LinkLogic board jumpers. Remove jumpers from current location on pins and reconfigure based on blower performance.



Pin 1	Pin 2	Pin 3	Maximum CFM value
0	0	0	0 CFM
0	0	1	300 CFM
0	1	0	500 CFM
0	1	1	600 CFM

0 = No jumper on pin.  
1 = Jumper on pin.

Pin 1	Pin 2	Pin 3	Maximum CFM value
1	0	0	900 CFM
1	0	1	1000 CFM
1	1	0	1200 CFM
1	1	1	1500 CFM

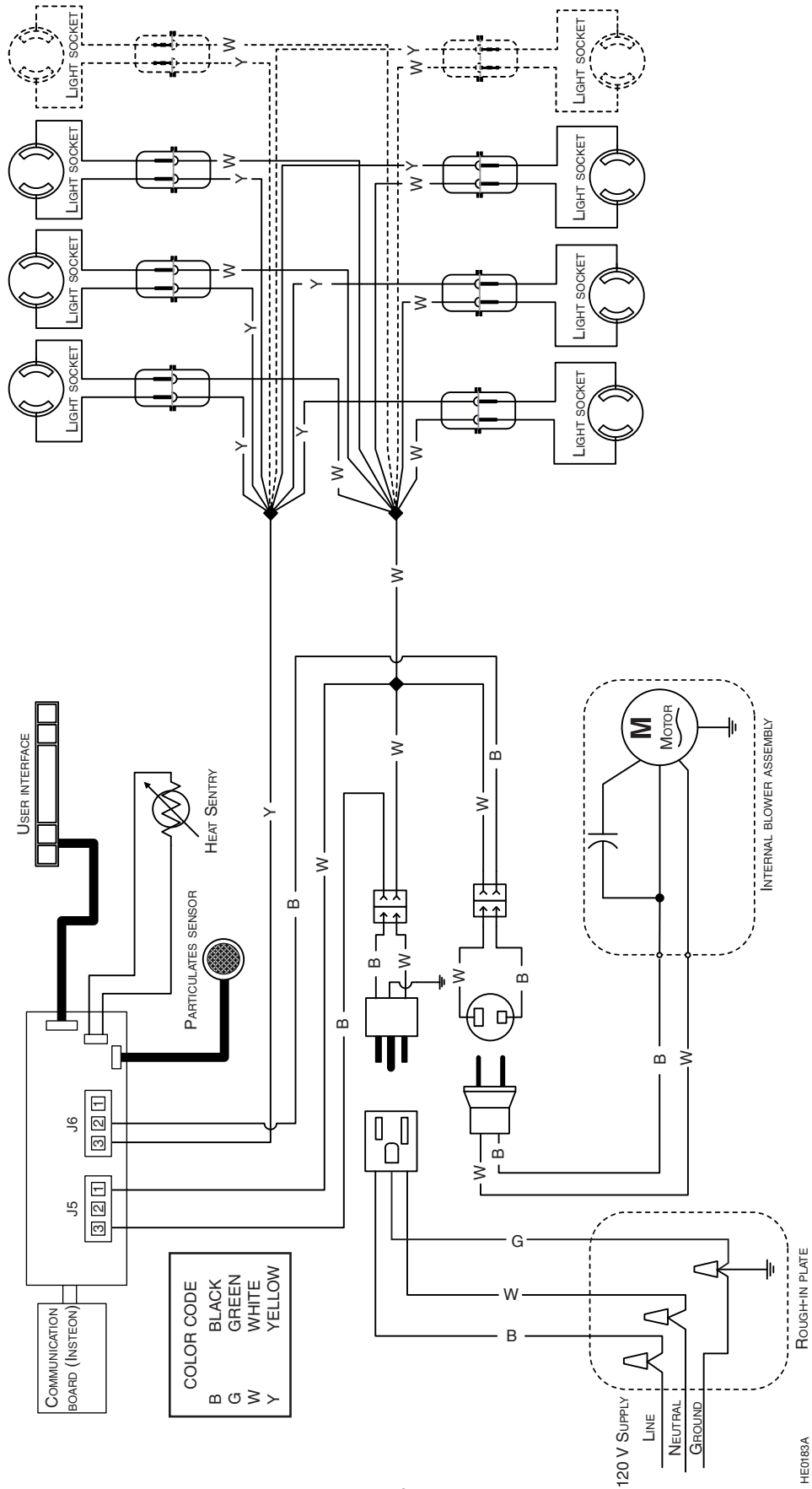
0 = No jumper on pin.  
1 = Jumper on pin.

If you are unsure if the LinkLogic accessory or device requires CFM data, please refer to the unit's instructions.



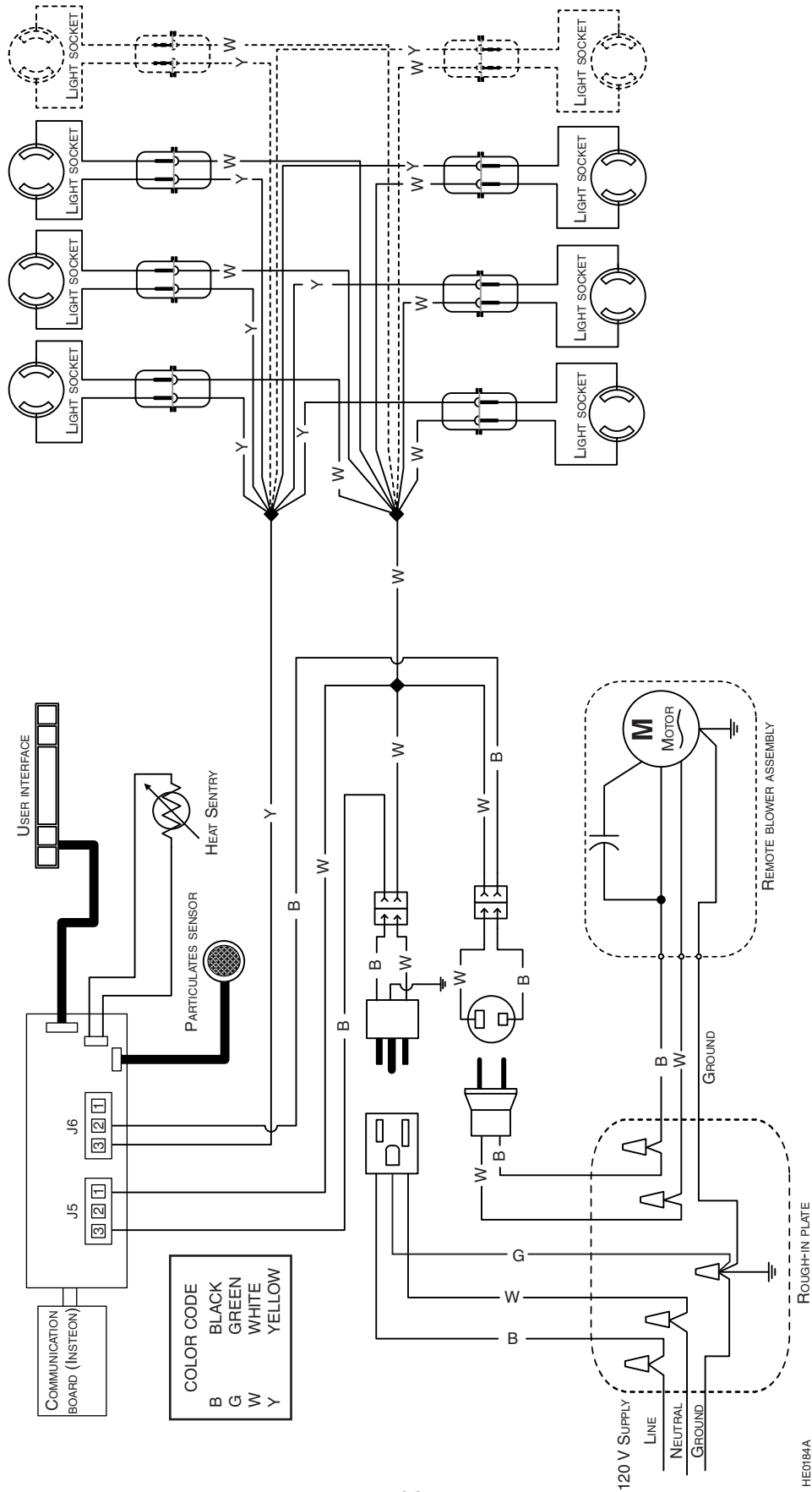
# 25. WIRING DIAGRAMS

## INTERIOR BLOWER



# 25. WIRING DIAGRAMS (CONT'D)

## IN-LINE OR EXTERIOR BLOWER



## 26. WARRANTY

### WARRANTY

#### ONE-YEAR LIMITED WARRANTY FOR BEST PRODUCTS

Broan-NuTone LLC (Broan-NuTone) warrants to the original consumer purchaser of Best products that such products will be free from defects in materials or workmanship for a period of one year from the date of original purchase. THERE ARE NO OTHER WARRANTIES, EXPRESS OR IMPLIED, INCLUDING, BUT NOT LIMITED TO, IMPLIED WARRANTIES OR MERCHANTABILITY OR FITNESS FOR A PARTICULAR PURPOSE.

During this one-year period, Broan-NuTone will, at its option, repair or replace, without charge, any product or part which is found to be defective under normal use and service.

THIS WARRANTY DOES NOT EXTEND TO FLUORESCENT LAMP STARTERS, TUBES, HALOGEN AND INCANDESCENT BULBS, FUSES, FILTERS, DUCTS, ROOF CAPS, WALL CAPS AND OTHER ACCESSORIES FOR DUCTING. This warranty does not cover (a) normal maintenance and service or (b) any products or parts which have been subject to misuse, negligence, accident, improper maintenance or repair (other than by Broan-NuTone), faulty installation or installation contrary to recommended installation instructions.

The duration of any implied warranty is limited to the one-year period as specified for the express warranty. Some states or provinces do not allow limitation on how long an implied warranty lasts, so the above limitation may not apply to you.

**BROAN-NUTONE'S OBLIGATION TO REPAIR OR REPLACE, AT BROAN-NUTONE'S OPTION, SHALL BE THE PURCHASER'S SOLE AND EXCLUSIVE REMEDY UNDER THIS WARRANTY. BROAN-NUTONE SHALL NOT BE LIABLE FOR INCIDENTAL, CONSEQUENTIAL OR SPECIAL DAMAGES ARISING OUT OF OR IN CONNECTION WITH PRODUCT USE OR PERFORMANCE.**

**Some states or provinces do not allow the exclusion or limitation of incidental or consequential damages, so the above limitation or exclusion may not apply to you.**

This warranty gives you specific legal rights, and you may also have other rights, which vary from state to state or province to another. This warranty supersedes all prior warranties.

To qualify for warranty service, you must (a) notify Broan-NuTone at the address stated below or telephone number stated below, (b) give the model number and part identification and (c) describe the nature of any defect in the product or part. At the time of requesting warranty service, you must present evidence of the original purchase date.

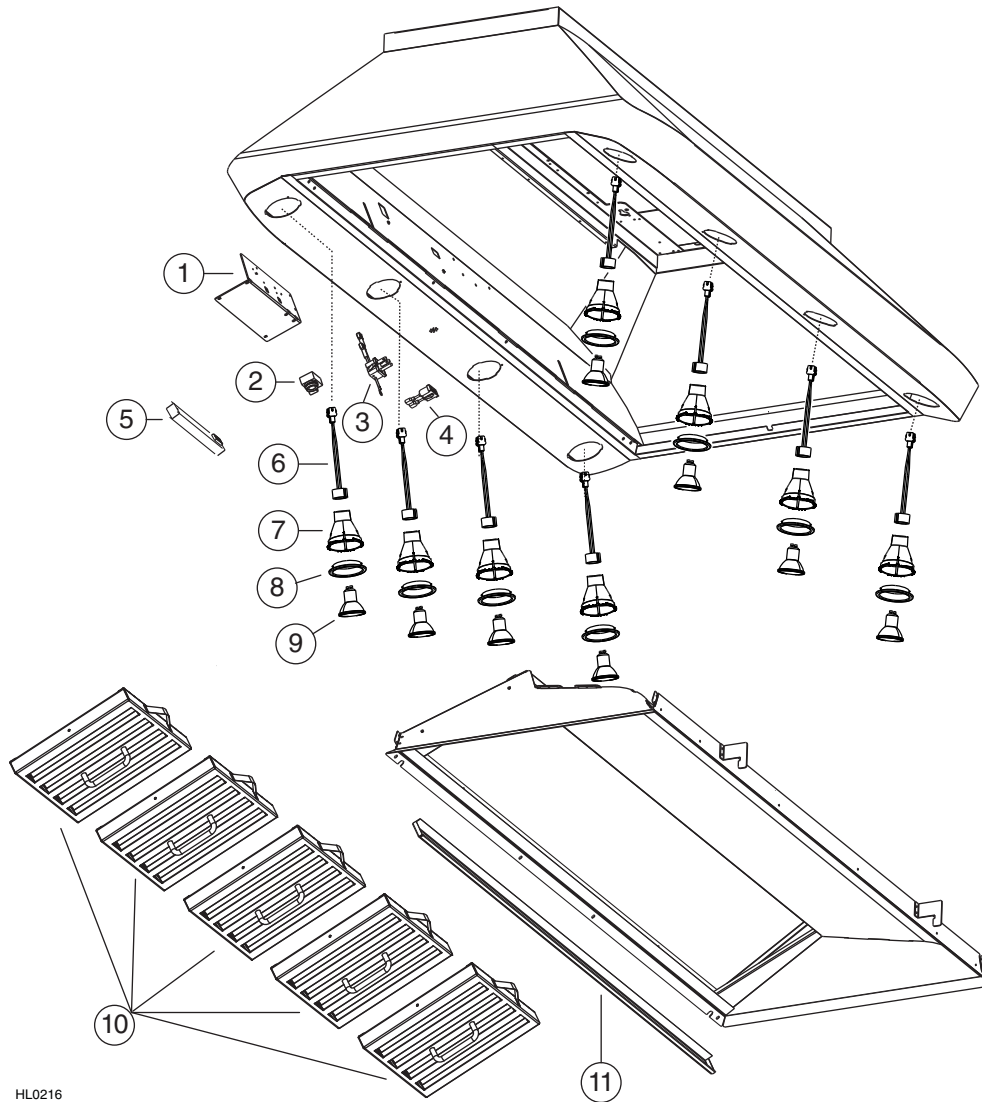
**In USA - Best®**, 926 W. State Street, Hartford, WI 53027 (800-558-1711)

**In Canada - Best®**, 550 Lemire Blvd., Drummondville, QC, Canada, J2C 7W9 (866-737-7770)

[www.BestRangeHoods.com](http://www.BestRangeHoods.com)

# 27. SERVICE PARTS

## IP29M Series



HL0216

KEY No.	PART No.	DESCRIPTION	QTY. (HOOD WIDTH)	
			42"	54"
1	SV08069	CONTROL PROCESSOR UNIT	1	1
2	SV08073	PARTICULATES SENSOR	1	1
3	SV13924	MALE CONNECTOR	1	1
4	SV13923	FEMALE CONNECTOR	1	1
5	SV08074	CONTROL INTERFACE	1	1
6	SV05917	SOCKET GU10	6	8
7	SV09435	SOCKET HOLDER GU10	6	8
8	SV09434	LIGHT TRIM STAINLESS STEEL	6	8
9	SV05921	SHIELDED HALOGEN BULBS (50W, 120 V, PAR16, GU10)	6	8
10	SV61639	HYBRID BAFFLE FILTER WITH MICROMESH AND HANDLE 8.84" x 8.61" x 1"	1	5
	SV61640	HYBRID BAFFLE FILTER WITH MICROMESH AND HANDLE 11.84" x 8.61" x 1"	2	-
11	SV61934	GREASE DRIP RAIL FOR 42" HOOD	1	-
	SV61935	GREASE DRIP RAIL FOR 54" HOOD	-	1
*	SV03435	HEAT SENTRY™ THERMISTOR	1	1
*	SV08072	INSTALLATION GUIDE	1	1
*	SV08068	PARTS BAG: STEEL WOOD SCREW NO. 10 x 1.5" (10), SCREWS NO. 8 x 3/8" (6), STEEL WASHERS NO. 10 (10)	1	1
*	SV05869	BEST LOGO	1	1

\* NOT SHOWN.

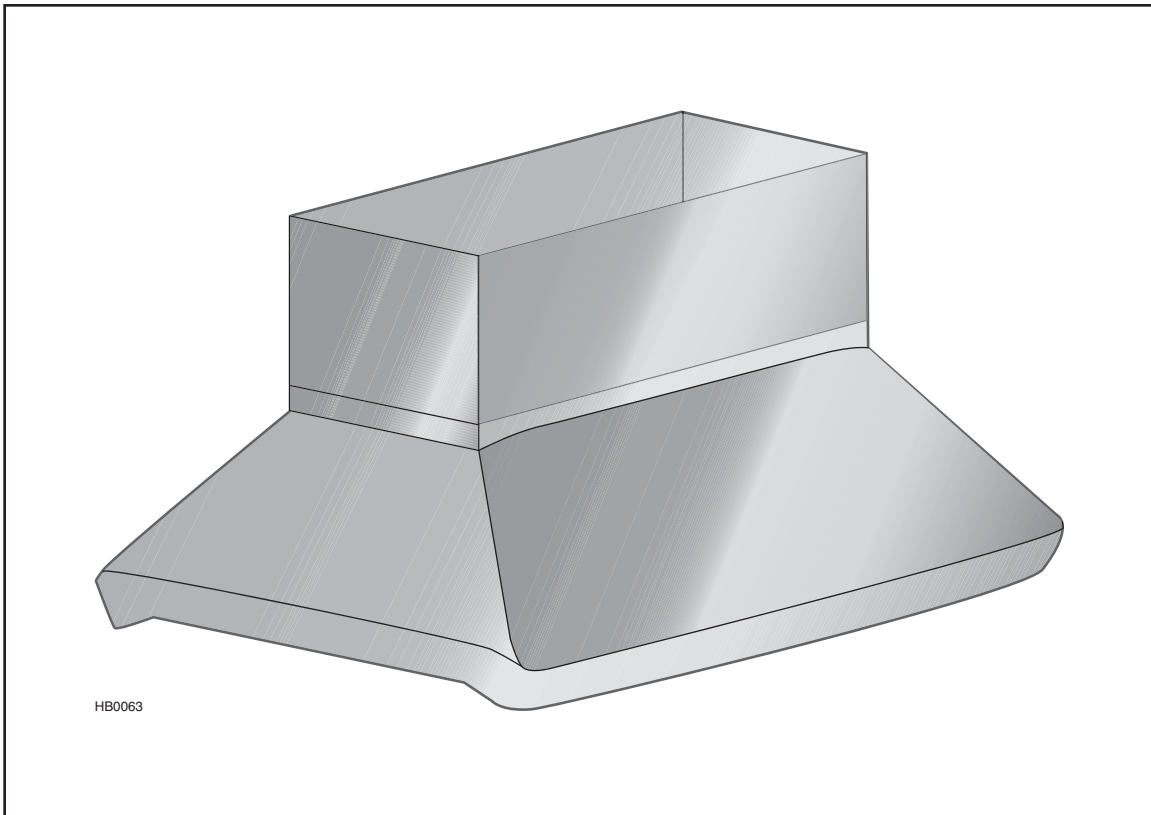
### REPLACEMENT PARTS AND REPAIRS

In order to ensure your unit remains in good working condition, you must use Broan-NuTone genuine replacement parts only. Broan-NuTone genuine replacement parts are specially designed for each unit and are manufactured to comply with all the applicable certification standards and maintain a high standard of safety. Any third party replacement part used may cause serious damage and drastically reduce the performance level of your unit, which will result in premature failing. Broan-NuTone recommends to contact a certified service depot for all replacement parts and repairs.

KEY No.	PART No.	DESCRIPTION	QUANTITY	
			DECORATIVE FLUE	DRYWALL TRIM
*	SV06927	ACCESSORY PARTS BAG: STEEL HEXAGONAL LOCK-NUT (5), SCREWS NO. 8 x 3/8" (14), STEEL WASHERS NO. 10 (10), STEEL WOOD SCREW NO. 10 x 1.5" (10)	1	1

\* NOT SHOWN.

# best®



## SÉRIE IP29M

⚠ CONÇUE UNIQUEMENT POUR LA CUISSON DOMESTIQUE ⚠

**LIRE ET CONSERVER CES DIRECTIVES**

INSTALLATEUR : LAISSER CE GUIDE AU PROPRIÉTAIRE.  
PROPRIÉTAIRE : DIRECTIVES D'UTILISATION ET D'ENTRETIEN  
EN PAGES 33 À 36.

BEST; Hartford, Wisconsin [www.BestRangeHoods.com](http://www.BestRangeHoods.com) 800-558-1711  
BEST; Drummondville, QC, Canada [www.BestRangeHoods.com](http://www.BestRangeHoods.com) 866-737-7770

Pour enregistrer votre produit en ligne ou pour obtenir plus d'information, consultez notre site [www.BestRangeHoods.com](http://www.BestRangeHoods.com)

## **⚠ AVERTISSEMENT**

### **AFIN DE RÉDUIRE LES RISQUES D'INCENDIE, D'ÉLECTROCUTION OU DE BLESSURES CORPORELLES, SUIVEZ LES DIRECTIVES SUIVANTES :**

1. N'utilisez cet appareil que de la façon prévue par le fabricant. Si vous avez des questions, contactez le fabricant à l'adresse ou au numéro de téléphone indiqués dans la garantie.
2. Avant de réparer ou de nettoyer l'appareil, couper l'alimentation électrique en verrouillant le panneau de distribution afin d'éviter sa remise en marche accidentelle. Si le panneau de distribution ne peut être verrouillé, y fixer un avertissement en évidence, telle qu'une étiquette de couleur vive.
3. Les travaux d'installation et de raccordement électrique doivent être effectués par une personne qualifiée, conformément aux codes et aux standards de construction, incluant ceux concernant la protection contre les incendies.
4. Une quantité d'air adéquate est requise afin d'assurer une bonne combustion et l'évacuation des gaz par la cheminée dans le cas des équipements alimentés au gaz afin de prévenir les retours de cheminée. Conformez-vous aux instructions et aux standards de sécurité des fabricants d'équipement de chauffage, tel qu'ils sont publiés par la National Fire Protection Association (NFPA) et l'American Society for Heating, Refrigeration and Air Conditioning Engineers (ASHRAE) ainsi que les responsables des codes locaux.
5. Veillez à ne pas endommager le câblage électrique ou d'autres équipements non apparents lors de la découpe ou du perçage du mur ou du plafond.
6. Les ventilateurs avec conduits doivent toujours évacuer l'air à l'extérieur.
7. Ne pas utiliser cet appareil avec une commande de vitesse à semi-conducteur additionnelle.
8. Afin de réduire les risques d'incendie, n'utilisez que des conduits de métal.
9. Cet appareil doit être mis à la terre.
10. Lorsqu'une réglementation est en vigueur et qu'elle comporte des exigences d'installation et/ou de certification plus restrictives, lesdites exigences prévalent sur celles de ce document et l'installateur entend s'y conformer à ses frais.

### **AFIN DE RÉDUIRE LES RISQUES DE FEU DE CUISINIÈRE :**

- a) Ne jamais laisser les appareils de cuisson sans surveillance lorsqu'ils sont réglés à feu vif. Les débordements engendrent de la fumée et des déversements gras pouvant s'enflammer. Chauffez l'huile lentement, à feu doux ou moyen.
- b) Mettez toujours la hotte en marche lorsque vous cuisinez à feu vif ou que vous cuisinez des mets flambés (par ex. : crêpes Suzette, cerises jubilé, steaks au poivre flambés).
- c) Nettoyez régulièrement la (les) roue(s) du ventilateur. Ne laissez pas la graisse s'accumuler sur le ventilateur, les filtres ou les conduits d'évacuation.
- d) Utilisez le bon format de casserole. Servez-vous toujours de casseroles et d'ustensiles appropriés à la dimension de la surface chauffante.

## **⚠ AVERTISSEMENT**

### **AFIN D'ÉVITER TOUT RISQUE DE BLESSURES LORS D'UN FEU DE CUISINIÈRE, SUIVEZ CES DIRECTIVES\* :**

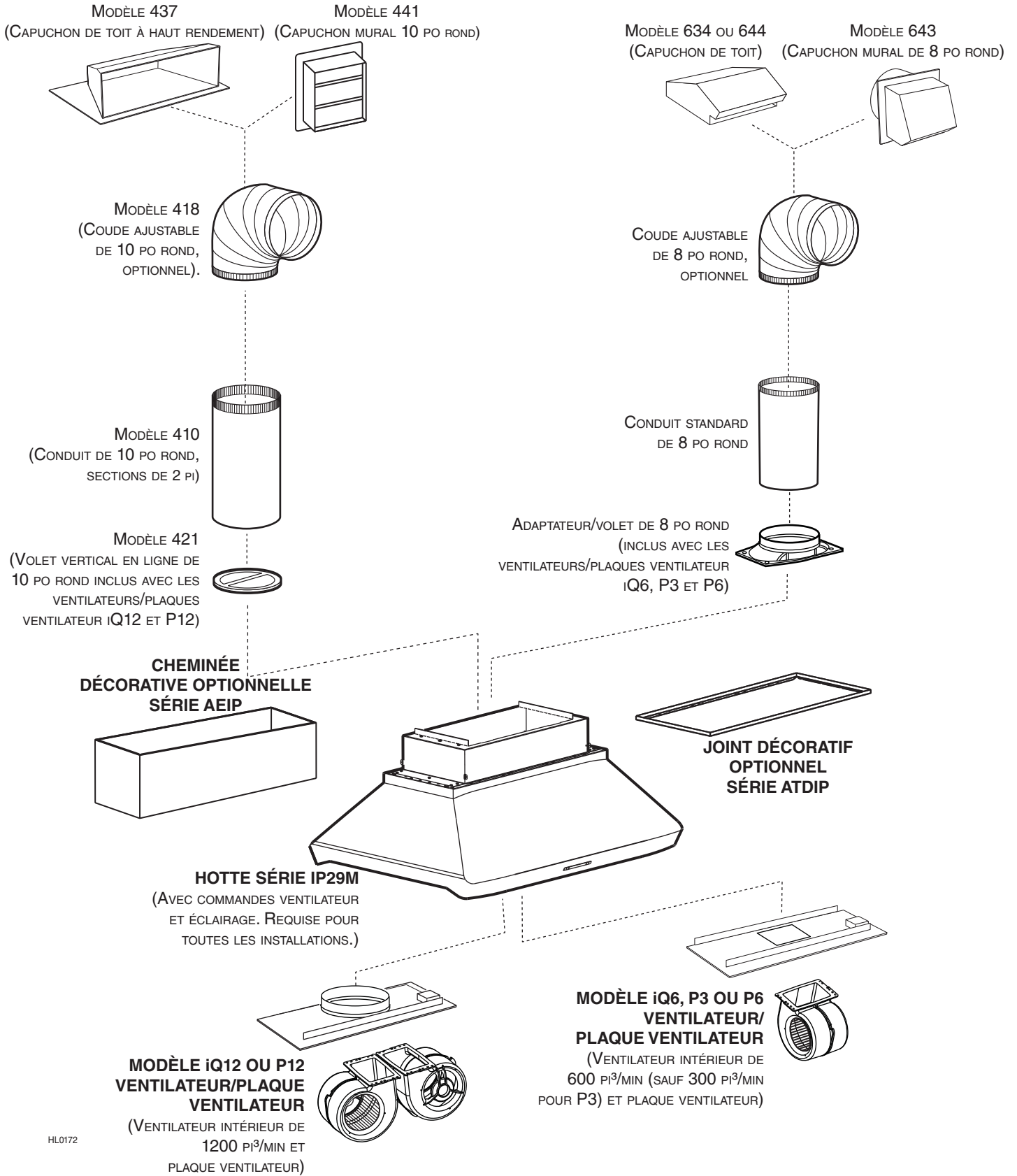
1. Éteignez les flammes avec un couvercle hermétique, une tôle à biscuits ou un plateau métallique et ensuite, éteindre le brûleur. PRENEZ SOIN D'ÉVITER LES BRÛLURES. SI LES FLAMMES NE S'ÉTEIGNENT PAS IMMÉDIATEMENT, ÉVACUEZ LES LIEUX ET APPELEZ LES POMPIERS.
2. NE PRENEZ JAMAIS UNE CASSEROLE EN FLAMMES DANS VOS MAINS. Vous pourriez vous brûler.
3. N'UTILISEZ PAS D'EAU, incluant un linge à vaisselle ou une serviette mouillée, cela pourrait occasionner une violente explosion de vapeur.
4. N'utilisez un extincteur QUE DANS LE CAS OÙ :
  - A. Vous savez qu'il s'agit d'un extincteur de classe ABC et que vous en connaissez le fonctionnement.
  - B. L'incendie est petit et limité à l'endroit où il a débuté.
  - C. Les pompiers ont été avisés.
  - D. Vous pouvez combattre l'incendie en ayant accès à une sortie de secours.

\*Tirées du *Kitchen Fire Safety Tips* publié par la NFPA.

## **ATTENTION**

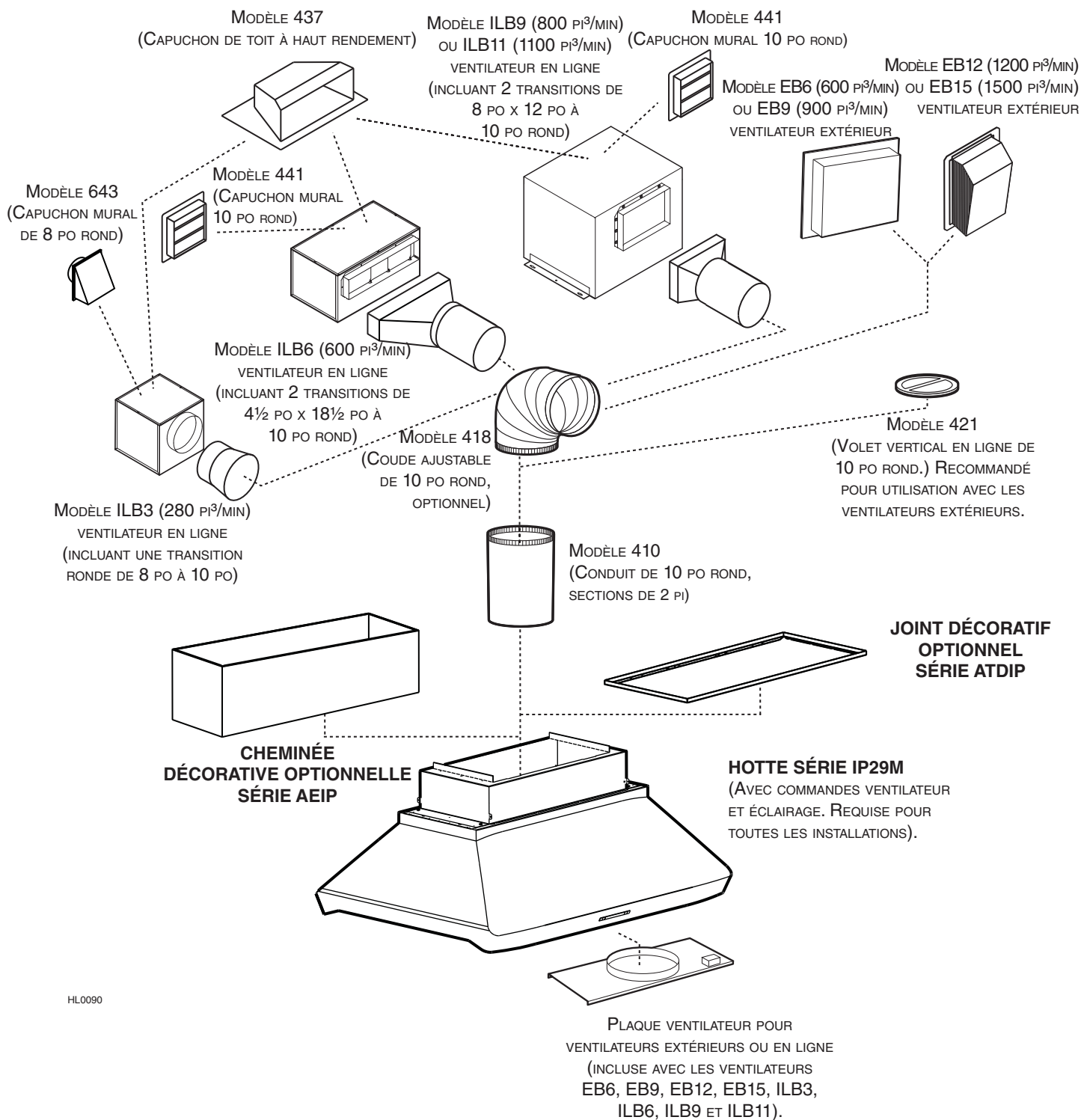
1. Pour une utilisation à l'intérieur seulement.
2. Pour usage domestique seulement. Ne pas utiliser pour évacuer des vapeurs ou des matières dangereuses ou explosives.
3. Afin d'éviter tout dommage au moteur et de débalancer ou de rendre bruyante la roue du moteur, garder votre appareil à l'abri des poussières de gypse et de construction/rénovation, etc.
4. Le moteur de votre hotte possède une protection thermique qui éteindra automatiquement le moteur s'il devient surchauffé. Le moteur redémarrera automatiquement une fois refroidi. Si le moteur continue à arrêter et à redémarrer, faites-le vérifier.
5. Pour une meilleure évacuation des odeurs de cuisson, le bas de votre hotte devrait être situé à un minimum de 30 po et à un maximum de 36 po au-dessus de la table de cuisson.
6. Deux installateurs sont recommandés lors de l'installation vu la grande dimension et le poids de cette hotte.
7. Afin de réduire les risques d'incendie, assurez-vous d'évacuer l'air à l'extérieur. Ne pas évacuer l'air dans des espaces restreints comme l'intérieur des murs ou plafond ou dans le grenier, faux plafond ou garage.
8. Cet appareil est équipé d'un thermostat pouvant faire démarrer le ventilateur automatiquement. Afin de réduire le risque de blessure, couper le courant à partir du panneau électrique et le verrouiller ou apposer un avertissement sur le panneau afin de prévenir que la hotte ne soit mise en marche accidentellement.
9. En raison de la grande capacité d'évacuation de cette hotte, il est recommandé d'utiliser un dispositif d'apport d'air approprié ou d'ouvrir une fenêtre dans ou près de la cuisine afin de remplacer l'air évacué.
10. Afin de réduire les risques d'incendie et d'électrocution, la hotte Best de série IP29M doit être installée uniquement avec un des ventilateurs intérieurs Best suivants : iQ6, P3, P6, iQ12 ou P12, ou un des ventilateurs extérieurs Best suivants : EB6, EB9, EB12 ou EB15, ou un des ventilateurs en ligne Best suivants : ILB3, ILB6, ILB9 ou ILB11 (vendus séparément). Aucun autre ventilateur ne doit être utilisé.
11. Veuillez consulter l'autocollant apposé à l'intérieur de la hotte pour plus d'information ou autres exigences.

# - SYSTÈME DE HOTTE DE CUISINIÈRE SÉRIE IP29M - VENTILATEURS INTÉRIEURS



HL0172

## - SYSTÈME DE HOTTE DE CUISINIÈRE SÉRIE IP29M - VENTILATEURS EN LIGNE ET EXTÉRIEURS



HL0090



# 1. SÉLECTIONNER L'OPTION VENTILATEUR ET LE TYPE D'INSTALLATION

Cette hotte fonctionne autant avec un ventilateur intérieur, en ligne ou extérieur. La hotte de modèle Best de série IP29M doit être installée uniquement avec l'un des ventilateurs suivants : iQ6, P3, P6, iQ12, P12, ILB3, ILB6, ILB9, ILB11, EB6, EB9, EB12 ou EB15 (vendus séparément).

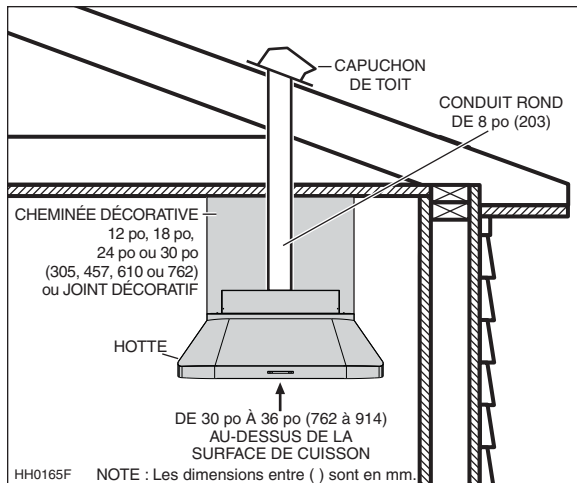
Aucun autre ventilateur ne peut être utilisé.

Déterminer à quel endroit et de quelle façon les conduits seront installés.

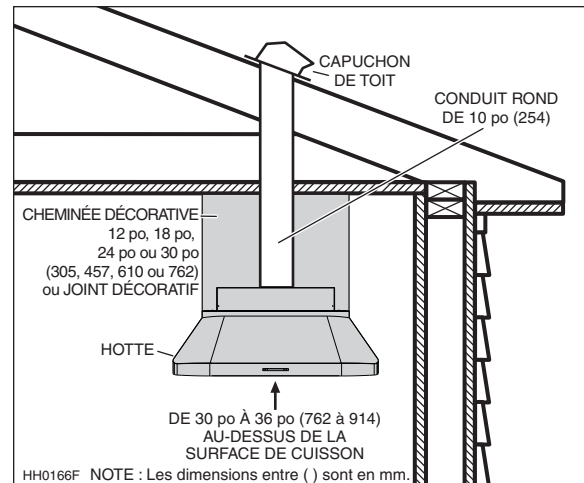
**Si un ventilateur en ligne est installé, se reporter aux directives fournies avec celui-ci et suivre les étapes 1 à 9, 11 à 15, 18 et suivantes de ce guide.**

Installer des conduits de dimension adéquate, coude(s) et capuchon de mur ou de toit selon le type de ventilateur. Se servir de ruban adhésif pour conduits en métal pour assurer l'étanchéité des joints.

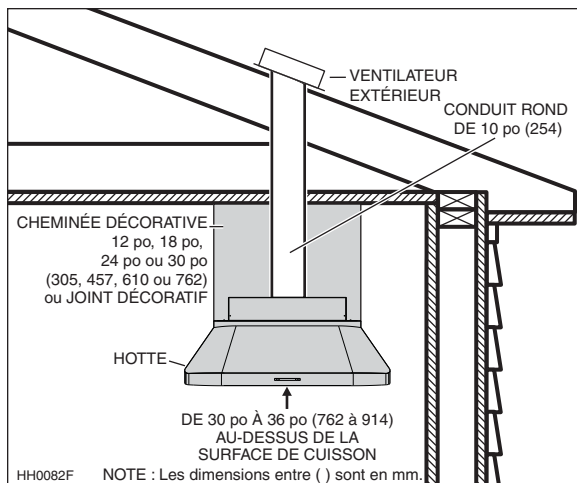
NOTE : Pour des conduits de 8 po, il est recommandé d'avoir un minimum de 6 po de long de conduit droit entre la hotte et un coude, et pour des conduits de 10 po, cette longueur est de 12 po minimum.



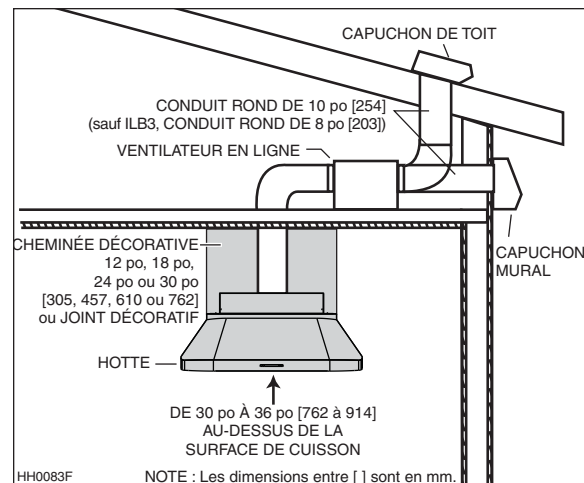
**INSTALLATION TYPE  
VENTILATEUR INTÉRIEUR SIMPLE  
MODÈLE iQ6, P3 OU P6**



**INSTALLATION TYPE  
VENTILATEUR INTÉRIEUR DOUBLE  
MODÈLE iQ12 OU P12**



**INSTALLATION TYPE  
VENTILATEUR EXTÉRIEUR  
MODÈLE EB6, EB9, EB12 OU EB15**



**INSTALLATION TYPE  
VENTILATEUR EN LIGNE  
MODÈLE ILB3, ILB6, ILB9 OU ILB11**

## 2. MESURER L'INSTALLATION

Les dimensions des installations les plus courantes sont indiquées ci-contre.

**La distance minimale entre le bas de votre hotte et la surface de cuisson ne doit pas être inférieure à 30 po. Un maximum de 36 po au-dessus de la surface de cuisson est fortement recommandé pour une meilleure évacuation des odeurs de cuisson.**

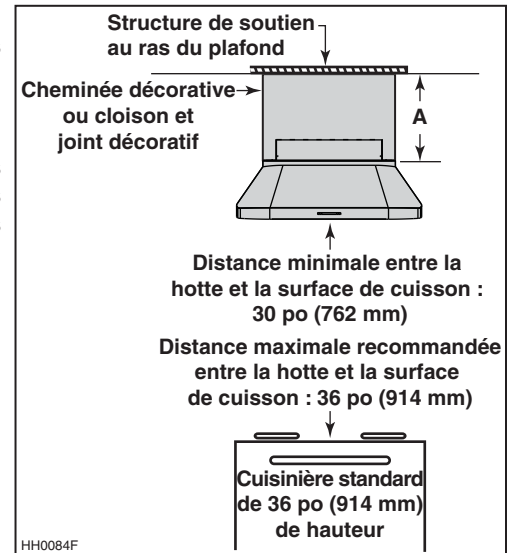
Une distance de plus de 36 po demeure à la discrétion de l'installateur et de l'utilisateur. Puisque la structure de soutien doit être au même niveau que le plafond, 4 cheminées décoratives ont été conçues afin de compléter une installation selon différentes hauteurs de plafond et largeurs de hotte. Consulter le tableau ci-dessous pour connaître les modèles et leurs applications.

CHEMINÉE DÉCORATIVE			PLAFOND DE 8 PI DISTANCE DE LA SURFACE DE CUISSON		PLAFOND DE 9 PI DISTANCE DE LA SURFACE DE CUISSON	
MODÈLE	A (HAUT.)	LARG.	30 PO	36 PO	30 PO	36 PO
AEIP422	12 PO	42 PO		X		
AEIP542	12 PO	54 PO		X		
AEIP428	18 PO	42 PO	X			
AEIP548	18 PO	54 PO	X			
AEIP424	24 PO	42 PO				X
AEIP544	24 PO	54 PO				X
AEIP420	30 PO	42 PO			X	
AEIP540	30 PO	54 PO			X	

NOTE : Il n'existe pas de cheminée décorative pour des plafonds de plus de 9 pi.

Si au lieu d'une cheminée décorative un cloison est construite, utiliser un joint décoratif pour cacher la jonction entre la hotte et la cloison. Voir ci-dessous pour choisir le modèle approprié à la largeur de votre hotte.

MODÈLE	LARGEUR
ATDIP42	42 PO
ATDIP54	54 PO



**DISTANCES MINIMALE ET MAXIMALE AU-DESSUS DE LA SURFACE DE CUISSON**

## 3. PRÉPARER L'INSTALLATION

### ⚠ AVERTISSEMENT

**Il est recommandé de porter des lunettes et des gants de sécurité lors de l'installation, de l'entretien et de la réparation de cet appareil.**

NOTE : Avant de commencer l'installation, vérifier le contenu de la boîte. Si des pièces sont manquantes ou endommagées, contacter le fabricant. Retirer la trousse d'installation de l'intérieur de la hotte.

S'assurer que les articles suivants soient inclus :

- Guide d'installation
- Les accessoires incluant :
  - Filtres à chicane hybrides avec poignées (3 pour la hotte de 42 po de largeur, 5 pour la hotte de 54 po de largeur)
  - Ampoules halogènes avec écran (120 V, 50 W, avec culot GU10) (6 pour la hotte de 42 po de largeur, 8 pour la hotte de 54 po de largeur)
  - Le sac de pièces incluant : (10) vis à bois en acier n° 10 x 1,5 po, (10) rondelles d'acier n° 10, (6) vis n° 8 x 3/8 po (vis en surplus)

Pièces vendues séparément :

- Ventilateur intérieur modèle iQ6, P3 ou P6 (incluant la plaque ventilateur et l'adaptateur/volet de 8 po rond).
- Ventilateur intérieur modèle iQ12 ou P12 (incluant la plaque ventilateur et le volet intérieur de 10 po rond vertical, modèle 421).
- Ensemble de ventilateur en ligne modèle ILB3, ILB6, ILB9 ou ILB11 (tous incluant la (les) transition(s) et la plaque ventilateur).
- Ensemble de ventilateur extérieur, modèle EB6, EB9, EB12 ou EB15 (tous incluant la plaque ventilateur).
- Conduits, coudes, volets, capuchons de mur ou de toit. Consulter les pages 23 et 24 pour la liste complète des accessoires de ventilation et les numéros de modèle.
- Cheminée décorative optionnelle série AEIP de 12 po, 18 po, 24 po ou 30 po de hauteur et de 42 po ou 54 po de largeur.
- Joint décoratif optionnel série ATDIP de 42 po ou 54 po de largeur.

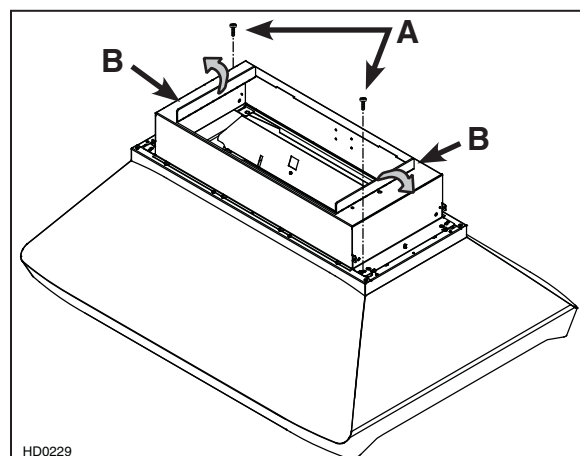
### HOTTE AVEC MODULE LINKLOGIC®

Cette hotte est munie du système LinkLogic permettant la communication, par le biais du câblage électrique régulier de la maison, avec d'autres dispositifs LinkLogic incluant le système Smart Sense Fan de Broan. Si vous désirez utiliser cette hotte avec un autre dispositif LinkLogic, veuillez suivre les instructions de la section 21 ainsi que les instructions fournies avec l'autre dispositif LinkLogic.

## 4. PRÉPARER LA CHAMBRE DE VENTILATEUR

Détacher la chambre de ventilateur de la hotte en retirant ses 2 vis de retenue (A). Garder les vis pour usage ultérieur.

Plier vers le haut ses 2 ailettes (B) de façon à ce qu'elle soient perpendiculaires au-dessus de la chambre de ventilateur.



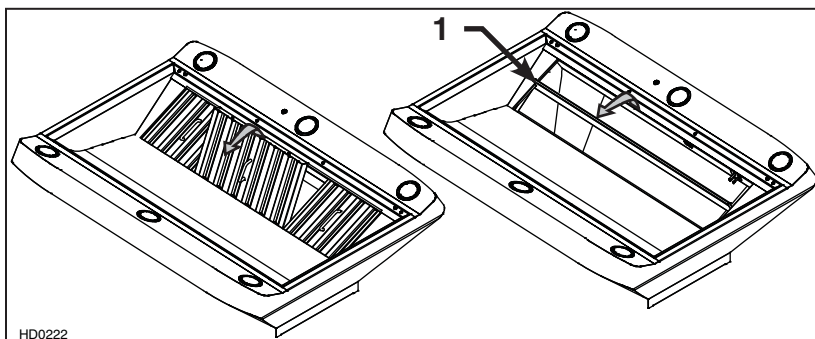
## 5. RETIRER LES FILTRES À CHICANE HYBRIDES ET LA GOUTTIÈRE

A. Enlever le ruban adhésif des filtres à chicane hybrides. Retirer les filtres de la hotte et les mettre de côté.

NOTE : Il est recommandé de retirer le filtre central en premier.

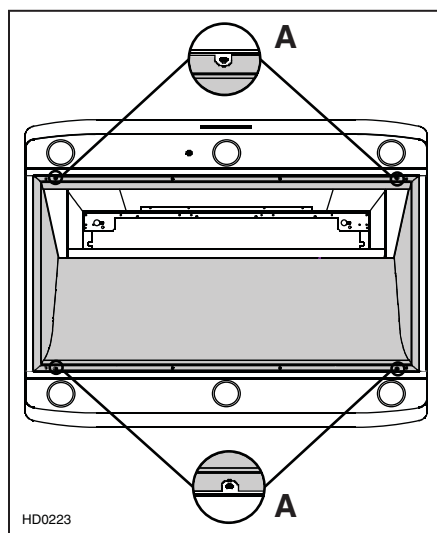
B. Enlever le ruban adhésif de la gouttière (1).

Dégager la gouttière de la hotte et la mettre de côté.

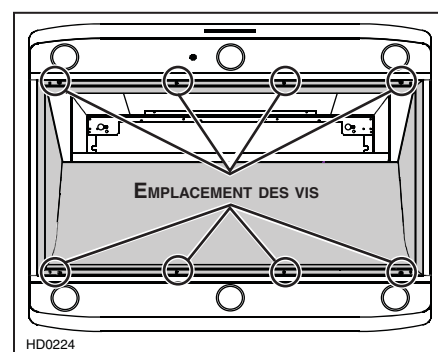


## 6. RETIRER LE CADRE INTÉRIEUR

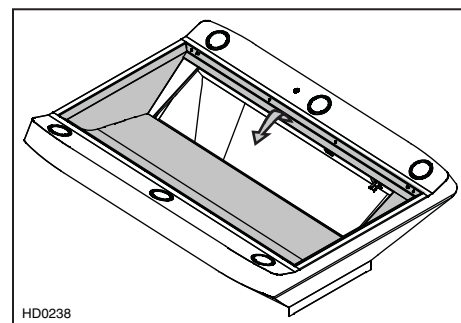
NOTE : Ne pas enlever les 4 vis situées dans les encoches du cadre (A dans l'illustration ci-dessous).



À l'aide d'un tournevis Phillips n° 2, enlever les vis retenant le cadre intérieur (la pièce colorée en gris dans l'illustration ci-contre) à la hotte.



Retirer le cadre intérieur et le mettre de côté.



## 7. CONSTRUIRE LA CHARPENTE

### ⚠ AVERTISSEMENT

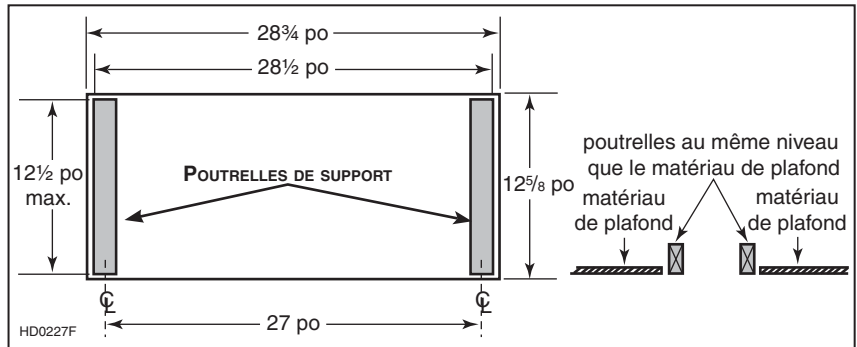
Lors de la construction de la charpente, toujours suivre les codes et standards de construction en vigueur.

Construire la charpente en fonction du format et du poids total de la hotte. Consulter le tableau ci-dessous pour connaître le poids total de la hotte selon le type de ventilateur choisi.

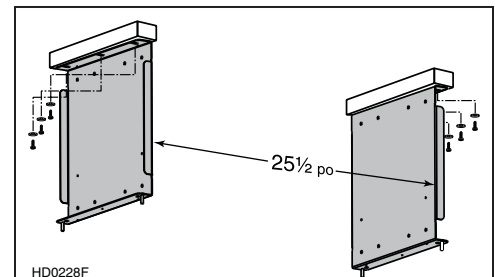
LARGEUR DE HOTTE	AVEC VENTILATEUR INTÉRIEUR iQ6, P3 ou P6	AVEC VENTILATEUR INTÉRIEUR iQ12 ou P12	AVEC VENTILATEUR EN LIGNE OU EXTÉRIEUR (PLAQUE VENTILATEUR SEULEMENT)
42 po	71 LB	84 LB	52 LB
54 po	86 LB	99 LB	67 LB

### 7.1 CHARPENTE SUGGÉRÉE POUR UNE INSTALLATION AVEC CHEMINÉE DÉCORATIVE DE SÉRIE AEIP

Découper une ouverture de 28 $\frac{3}{4}$  po x 12 $\frac{1}{2}$  po max. dans le matériau du plafond, au-dessus de l'emplacement prévu pour la hotte. Installer deux poutrelles de support à l'intérieur de la découpe aux dimensions indiquées ci-contre.



À l'aide de vis à bois n° 10 x 1,5 po et de rondelles (fournies), assembler les deux supports latéraux (inclus avec la cheminée décorative optionnelle) à la charpente. Voir l'illustration ci-contre.

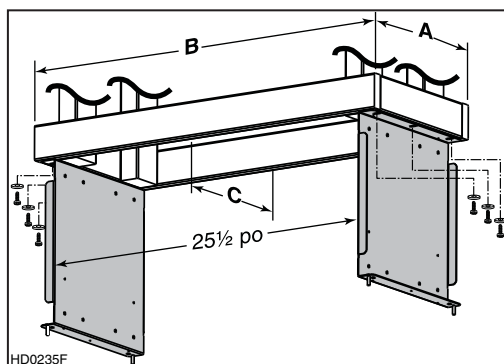


### 7.2 CHARPENTE SUGGÉRÉE POUR UNE INSTALLATION AVEC JOINT DÉCORATIF DE SÉRIE ATDIP

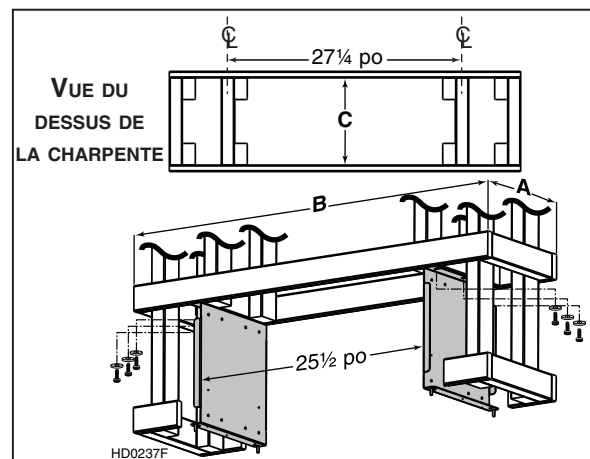
Voici la charpente suggérée pour des hottes de 42 po et de 54 po de largeur à être installées avec un joint décoratif de série ATDIP. Consulter le tableau et les illustrations ci-dessous pour connaître les dimensions selon la largeur de hotte. À l'aide de vis à bois n° 10 x 1,5 po et de rondelles (fournies), assembler les deux supports latéraux (fournis avec le joint décoratif) à la charpente.

LARGEUR DE HOTTE	A AVEC PAROI DE 5/8 PO	A AVEC PAROI DE 1/2 PO	B AVEC PAROI DE 5/8 PO	B AVEC PAROI DE 1/2 PO	C
42"	11 $\frac{5}{8}$ PO	11 $\frac{7}{8}$ PO	28 $\frac{5}{8}$ PO	28 $\frac{7}{8}$ PO	10 PO MINIMUM
54"	11 $\frac{5}{8}$ PO	11 $\frac{7}{8}$ PO	40 $\frac{5}{8}$ PO	40 $\frac{7}{8}$ PO	10 PO MINIMUM

CHARPENTE POUR HOTTE DE 42 PO



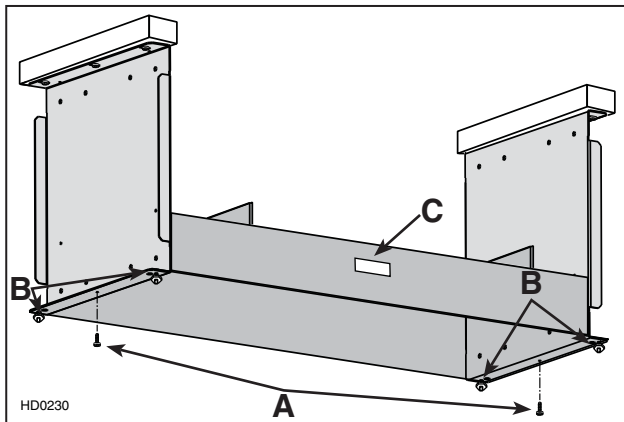
CHARPENTE POUR HOTTE DE 54 PO



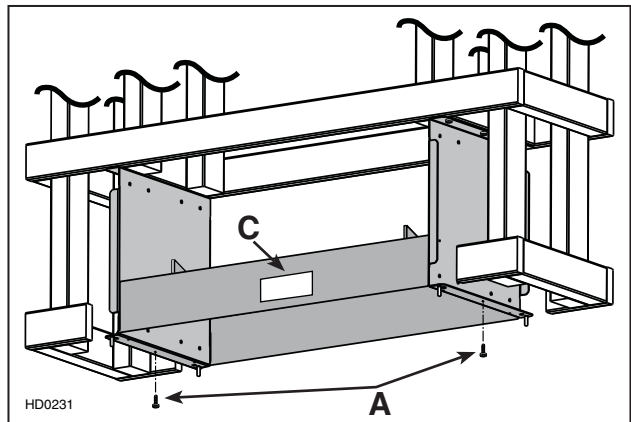
## 8. INSTALLER LA CHAMBRE DE VENTILATEUR

Utiliser les deux vis (A) retirées précédemment à l'étape 4 pour assembler la chambre de ventilateur aux supports latéraux. Seulement pour une installation avec la cheminée décorative de série AEIP, visser les 4 écrous (B) (provenant du sac de pièces de la cheminée décorative) sur les tiges filetées, en laissant 1/4 po pour l'installation de la hotte. La chambre de ventilateur doit être installée de façon à ce que son étiquette (C) soit du même côté que la commande de la hotte. Voir les illustrations ci-dessous.

INSTALLATION AVEC LA CHEMINÉE DÉCORATIVE DE SÉRIE AEIP



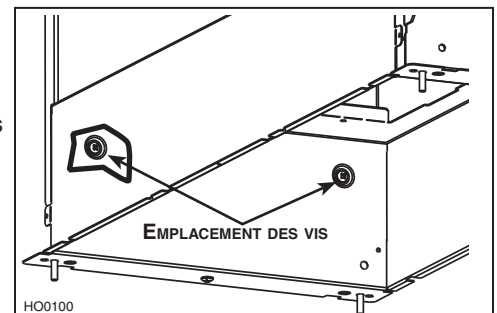
INSTALLATION AVEC LE JOINT DÉCORATIF DE SÉRIE ATDIP



## 9. FIXER LA CHAMBRE DE VENTILATEUR AUX SUPPORTS LATÉRAUX

Par l'intérieur, fixer la chambre de ventilateur aux supports latéraux, à l'aide de 2 vis n° 8 x 3/8 po par côté.

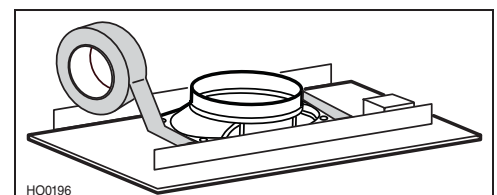
Les vis doivent se trouver dans les sections embossées, voir les détails ci-contre.



## 10. INSTALLER L'ADAPTATEUR/VOLET DE 8 PO ROND À LA PLAQUE VENTILATEUR (VENTILATEUR INTÉRIEUR IQ6, P3 OU P6 SEULEMENT)

Fixer l'adaptateur/volet de 8 po rond à la plaque ventilateur.

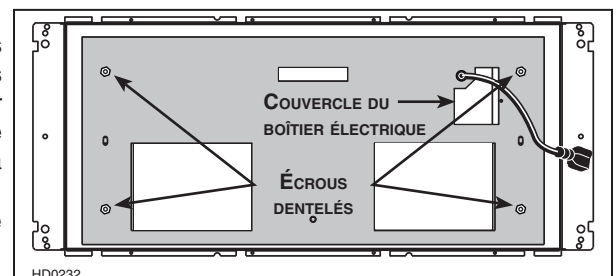
Sceller tous les joints avec du ruban à conduits.



## 11. INSTALLER LA PLAQUE VENTILATEUR DANS LA CHAMBRE DE VENTILATEUR

Amener le câble d'alimentation à l'emplacement de la hotte. Pour les détails concernant l'installation de la plaque ventilateur, voir les instructions comprises avec l'ensemble ventilateur et plaque ventilateur (vendu séparément). Installer la plaque ventilateur de façon à ce que son boîtier électrique se trouve à droite lorsque vous faites face à la hotte, tel qu'il est spécifié sur l'étiquette de la chambre de ventilateur.

Relier les conduits à l'adaptateur/volet ou à la plaque ventilateur, selon le modèle de ventilateur. Sceller tous les joints à l'aide de ruban pour conduits de métal.



## 12. BRANCHEMENT ÉLECTRIQUE

### ⚠ AVERTISSEMENT

**Risque d'électrocution. Le raccordement électrique doit être effectué par du personnel qualifié conformément aux codes et aux standards. Avant d'effectuer le branchement, coupez l'alimentation électrique au panneau de distribution et verrouillez-le pour éviter une mise en marche accidentelle.**

Retirer le couvercle du boîtier électrique de la plaque ventilateur et le mettre de côté.

Connecter le fil NOIR au NOIR, le fil BLANC au BLANC et le fil VERT ou dénudé à la vis VERTE de mise à la terre. **NE PAS OUBLIER DE CONNECTER LA MISE À LA TERRE.** Remettre en place le couvercle du boîtier électrique.

## 13. TERMINER LA CLOISON (INSTALLATION AVEC JOINT DÉCORATIF DE SÉRIE ATDIP SEULEMENT)

Terminer la construction de la cloison. Vérifier l'ajustement avec le joint décoratif avant de l'installer sur la hotte.

## 14. ASSEMBLER LA CHEMINÉE DÉCORATIVE OU LE JOINT DÉCORATIF À LA HOTTE

### ⚠ AVERTISSEMENT

**La cheminée décorative de série AEIP et le joint décoratif de série ATDIP peuvent avoir des arêtes vives. Soyez prudent lors de la manutention et de l'installation de ces pièces métalliques.**

#### 14.1 INSTALLATION AVEC LA CHEMINÉE DÉCORATIVE DE SÉRIE AEIP

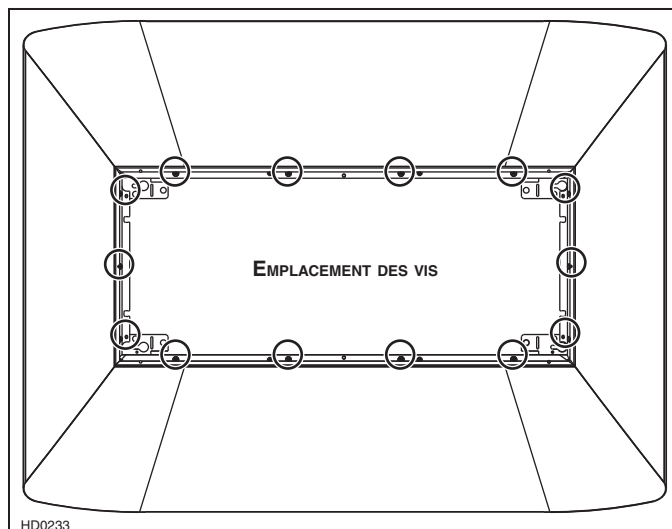
Retirer la pellicule de plastique protectrice recouvrant la cheminée décorative de série AEIP. Assembler la cheminée décorative sur le dessus de la hotte à l'aide de (14) vis n° 8 x 3/8 po (fournies avec la cheminée décorative). Voir l'illustration ci-contre pour l'emplacement des vis par le dessus de la hotte.

NOTE : S'assurer d'un ajustement parfait des surfaces avant de visser complètement les vis.

#### 14.2 INSTALLATION AVEC LE JOINT DÉCORATIF DE SÉRIE ATDIP

Retirer la pellicule de plastique protectrice recouvrant le joint décoratif de série ATDIP. Assembler le joint décoratif sur le dessus de la hotte à l'aide de (14) vis n° 8 x 3/8 po (fournies avec le joint décoratif). Voir l'illustration ci-contre pour l'emplacement des vis par le dessus de la hotte.

NOTE : S'assurer d'un ajustement parfait des surfaces avant de visser complètement les vis.



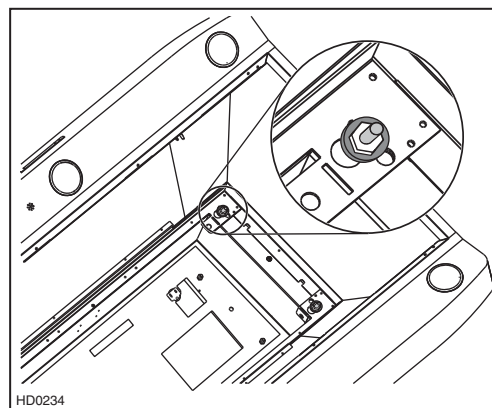
## 15. INSTALLER LA HOTTE

#### 15.1 INSTALLATION AVEC LA CHEMINÉE DÉCORATIVE DE SÉRIE AEIP

Assembler la hotte aux supports latéraux en alignant les trous en forme de serrure avec les 4 écrous précédemment installés à l'étape 8 (2 écrous par côté). Tout en retenant la hotte, retirer un écrou et glisser une rondelle (incluse dans le sac de pièce) sur chacune des tiges filetées, puis remettre en place l'écrou et le serrer. Voir l'illustration ci-contre.

#### 15.2 INSTALLATION AVEC LE JOINT DÉCORATIF DE SÉRIE ATDIP

Aligner les trous en forme de serrure avec les tiges filetées des supports latéraux. Fixer la hotte aux supports latéraux à l'aide des rondelles et écrous (inclus dans le sac de pièces). Voir l'illustration ci-contre.

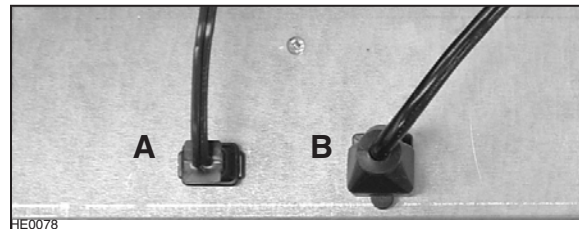


## 16. INSTALLER LE VENTILATEUR (INTÉRIEUR OU EXTÉRIEUR)

Pour installer le ventilateur, voir les instructions comprises avec celui-ci.  
Une fois installé, brancher le fil du ventilateur à la prise à 2 alvéoles (A) et le fil d'alimentation électrique de la hotte (B) à la fiche à 3 broches, à l'intérieur de la hotte.

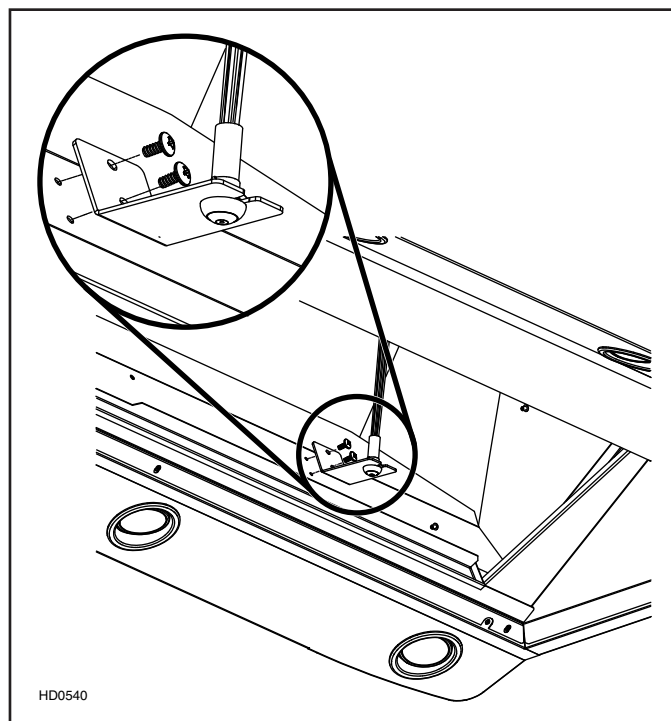
### **⚠ AVERTISSEMENT**

**Ne jamais brancher ensemble le fil du ventilateur au fil d'alimentation de la hotte.**



## 17. INSTALLER LE SUPPORT DU BOUTON DE CALIBRATION DANS LA HOTTE (VENTILATEURS INTÉRIEURS iQ6 ET iQ12 SEULEMENT)

Les deux ventilateurs iQ6 et iQ12 sont munis de bouton de calibration déjà monté sur son support. Installer ce support dans la hotte à l'aide des 2 vis incluses avec le ventilateur intérieur iQ6 ou iQ12.

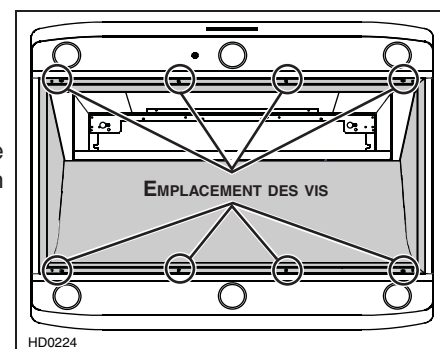


## 18. REMETTRE EN PLACE LE CADRE INTÉRIEUR

### **ATTENTION**

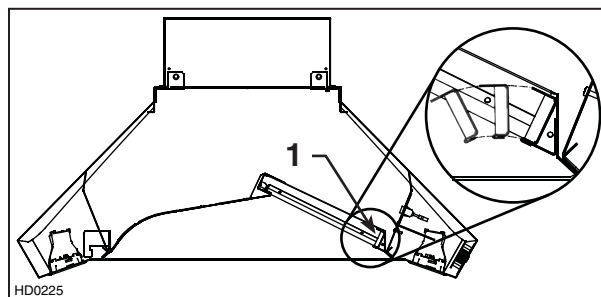
**Retirer la pellicule de plastique protectrice recouvrant les côtés du cadre intérieur et le ruban adhésif sur les lampes halogènes.**

À l'aide d'un tournevis Phillips no 2 ou Robertson no 2 et de ses vis, remettre en place le cadre (retiré précédemment à l'étape 6) à l'intérieur de la hotte (pièce colorée en gris dans l'illustration ci-contre).



## 19. REMETTRE EN PLACE LA GOUTIÈRE ET LES FILTRES À CHICANE HYBRIDES

Réinstaller la gouttière (1). L'image ci-contre illustre la façon de réinsérer la gouttière dans la hotte.



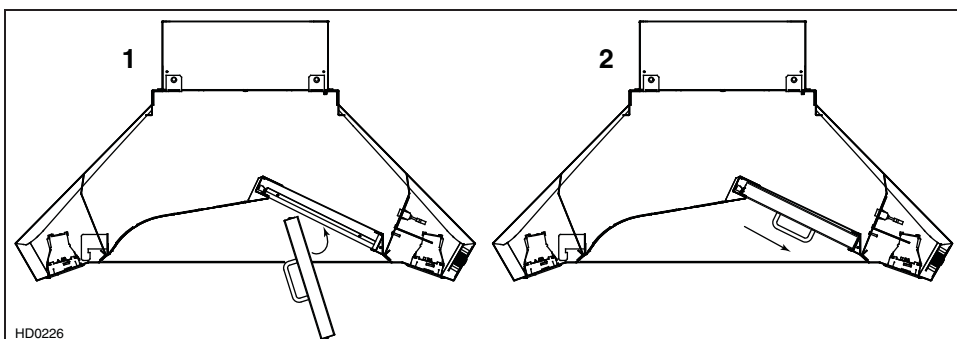
### ATTENTION

**Avant d'installer les filtres à chicane hybrides, retirer la pellicule de plastique protectrice de ceux-ci.**

Remettre en place les filtres à chicane hybrides. Il est recommandé d'installer d'abord les filtres situés aux extrémités et de terminer avec celui du centre.

1. Introduire une extrémité du filtre à chicane hybride dans le rail avant de la hotte.
2. Lever l'autre bout du filtre à l'intérieur de la hotte et l'introduire dans la gouttière.

Des filtres de rechange sont offerts chez votre marchand. Consulter l'étiquette à l'intérieur de la hotte pour connaître le format et le numéro de pièce des filtres.





## 20. REMPLACEMENT DES LAMPES HALOGÈNES

L'éclairage de cette hotte est produit par des ampoules halogènes avec écran (120 V, 50 W, MR16 ou PAR16 à culot GU10), incluses.

NOTE : Avant d'utiliser les ampoules, retirer le ruban adhésif (si présent).

### ⚠ AVERTISSEMENT

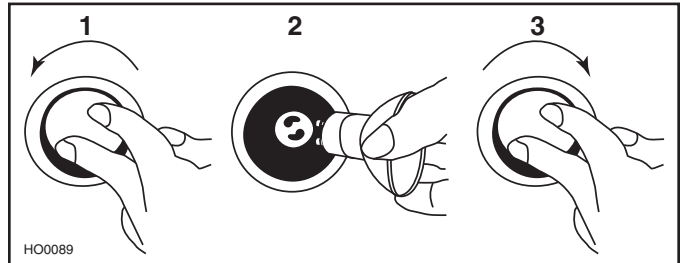
**Ne pas toucher aux lampes durant ou peu après leur utilisation. Peuvent causer des brûlures. Afin de réduire le risque de blessures corporelles, n'installer que des ampoules halogènes avec écran. Aussi, ne jamais installer une ampoule à faisceau froid, dichroïque, non conçue pour des luminaires encastrés ou conçue uniquement pour des luminaires fermés.**

1. Pour retirer les ampoules, pousser doucement vers le haut et tourner dans le sens contraire des aiguilles d'une montre pour désengager les conducteurs hors de leur rainure.

NOTE : Si nécessaire, utiliser un gant à vaisselle pour obtenir une meilleure prise de l'ampoule lors de son retrait.

2. Installer les nouvelles ampoules en glissant leurs conducteurs dans les rainures, à l'intérieur des douilles

3. Pousser doucement vers le haut et tourner dans le sens des aiguilles d'une montre jusqu'à ce que les ampoules soient bien en place.



NOTE : Si nécessaire, utiliser un gant à vaisselle pour obtenir une meilleure prise de l'ampoule lors de son retrait ou utiliser la ventouse de Best pour faciliter le retrait des ampoules. Contacter le support technique de Best au 1 800 558-1711 pour commander cette ventouse, numéro de pièce 99526707.

## 21. ENTRETIEN

### Filtres à chicane hybride

Les filtres à chicane hybrides doivent être nettoyés fréquemment. Utiliser une solution d'eau chaude et de détergent. Les filtres à chicane doivent être lavés plus souvent si vos habitudes de cuisson génèrent plus de graisse, comme par exemple de la friture ou des aliments sautés au wok.

Retirer les filtres en les poussant vers l'arrière de la hotte et en les retournant vers le bas. Les filtres à chicane sont lavables au lave-vaisselle. Laisser les filtres sécher complètement avant de les réinstaller dans la hotte.

Nettoyer les filtres fabriqués entièrement de métal au lave-vaisselle à l'aide d'un détergent sans phosphate. L'utilisation d'un détergent avec phosphates ainsi que les conditions locales de l'eau peuvent entraîner une décoloration des filtres, sans toutefois affecter leur performance. Cette décoloration n'est pas couverte par la garantie.

### Gouttière

La gouttière doit être nettoyée fréquemment. Pour ce faire, la désengager de la hotte et utiliser une solution d'eau chaude et de détergent. Tout comme les filtres à chicane, la laver plus souvent si vos habitudes de cuisson génèrent plus de graisse, comme par exemple de la friture ou des aliments sautés au wok. Essuyer complètement la gouttière avant de la réinstaller dans la hotte.

### Nettoyage du ventilateur

Retirer les filtres pour accéder au ventilateur. Passer l'aspirateur pour le nettoyer, ne pas l'immerger dans l'eau. Pour plus de détails, consulter le guide d'installation du ventilateur.

### Nettoyage de la hotte

Acier inoxydable : Comment préserver son « APPARENCE ÉTINCELANTE »

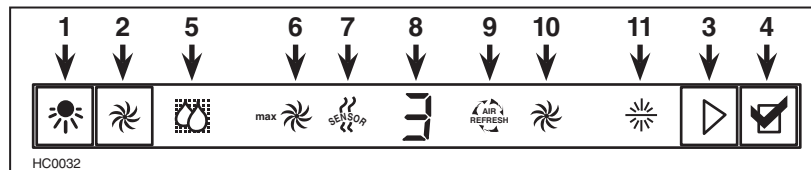
À faire :	À ne pas faire :
<ul style="list-style-type: none"><li>Laver régulièrement les surfaces à l'aide d'un chiffon ou linge propre imbibé d'eau tiède et de savon doux ou de détergent liquide à vaisselle.</li><li>Toujours nettoyer dans le sens du polissage.</li><li>Toujours bien rincer avec de l'eau claire (2 à 3 fois) et essuyer complètement.</li><li>Un nettoyant domestique conçu spécialement pour l'acier inoxydable peut aussi être utilisé.</li></ul>	<ul style="list-style-type: none"><li>Ne pas utiliser de laine d'acier ou d'acier inoxydable ou tout autre grattoir pour enlever la saleté tenace.</li><li>Ne pas utiliser une poudre nettoyante abrasive ou rugueuse.</li><li>Ne pas laisser la saleté s'accumuler.</li><li>Ne pas laisser la poussière de plâtre ou tout autre résidu de construction atteindre la hotte. Couvrir la hotte pour la durée des travaux afin de s'assurer qu'aucune poussière n'atteigne la hotte.</li></ul>

### À éviter lors du choix d'un détergent :

- Tous produits nettoyants contenant des **agents de blanchiment**; ils attaqueront l'acier inoxydable.
- Tous produits contenant du **chlorure**, du **fluorure**, de l'**iode** ou du **bromure**; ils détérioreront rapidement les surfaces.
- Tous produits combustibles utilisés pour le nettoyage : **acétone**, **alcool**, **éther**, **benzène**, etc.; ils sont grandement explosifs et ne devraient jamais être utilisés près d'une cuisinière.

## 22. FONCTIONNEMENT

Toujours mettre en marche la hotte avant de commencer la cuisson afin d'établir une circulation d'air dans la cuisine. Laisser la hotte fonctionner quelques minutes après la fin de la cuisson afin de nettoyer l'air. Cela aidera à garder la cuisine plus propre et plus fraîche.



- HC0032
1. Bouton-poussoir éclairage halogène/  
Bouton-poussoir mode LinkLogic® Master Link
  2. Bouton-poussoir du ventilateur
  3. Bouton-poussoir activation/désactivation des fonctions/  
Bouton-poussoir LinkLogic® Erase Link
  4. Bouton-poussoir mise à zéro des filtres à graisse/  
Bouton-poussoir mode LinkLogic® Link
  5. Icône entretien des filtres à graisse
  6. Icône vitesse maximale du ventilateur
  7. Icône du détecteur de particules
  8. Vitesse du ventilateur/  
Icône de l'état LinkLogic®
  9. Icône de fonction évacuation de l'air
  10. Icône de vitesse du ventilateur
  11. Icône LinkLogic®

### Éclairage (halogène)

- L'éclairage halogène est contrôlé par le bouton-poussoir d'éclairage (1 dans l'illustration ci-dessus). Appuyer une fois pour allumer les lumières et une deuxième fois pour augmenter l'intensité d'éclairage. Lorsque l'éclairage est à son intensité maximale, appuyer une autre fois réglera l'intensité au plus bas.
- Appuyer sur le bouton-poussoir et garder la pression durant 1 seconde pour éteindre les lumières et garder en mémoire le niveau d'intensité. Lorsqu'allumées de nouveau, les lampes halogènes éclaireront la surface de cuisson à l'intensité antérieure.
- Utiliser des ampoules halogènes avec écran de 120 V, 50 W, MR16 avec culot GU10 ou PAR16 avec culot GU10 (fournies).

### Ventilateur

- Le ventilateur est contrôlé par le bouton-poussoir du ventilateur (2 dans l'illustration ci-dessus). Appuyer une fois pour mettre en marche le ventilateur et une autre fois pour régler sa vitesse à un niveau plus élevé. Lorsque la vitesse est à son maximum, appuyer une autre fois réglera la vitesse à son niveau le plus bas.
- Lorsque le ventilateur est arrêté et qu'on l'active en vitesse 1, il en résulte un départ à 100% de sa puissance durant 0,3 seconde puis son régime tombe en vitesse 1.
- Appuyer sur le bouton-poussoir et garder la pression durant 1 seconde pour arrêter le ventilateur et garder en mémoire le niveau de vitesse. Lorsqu'activé, le ventilateur fonctionnera au niveau de vitesse gardé en mémoire.
- Lorsque le ventilateur fonctionne, le niveau de vitesse est indiqué par l'icône central (8 dans l'illustration ci-dessus) tandis que l'icône 10 apparaît (la vitesse de rotation est proportionnelle à la vitesse du ventilateur).
- Lorsque le ventilateur fonctionne en vitesse maximale, l'icône 10 s'éteint et l'icône 6 apparaît avec « max » (le symbole tourne).

### Fonctions

Appuyer sur le bouton-poussoir activation/désactivation des fonctions (3 dans l'illustration ci-dessus) permet de contrôler les fonctions de détection de particules et d'évacuation de l'air de la hotte.

#### Détecteur de particules

- Pour activer la fonction de détection de particules, appuyer sur le bouton-poussoir activation/désactivation des fonctions (3 dans l'illustration ci-dessus), l'icône du détecteur de particules (7 dans l'illustration ci-dessus) apparaîtra.
- Lorsque le détecteur est activé, le ventilateur se met en marche automatiquement lorsque des particules, vapeurs ou fumées causées par la cuisson, ou des émissions anormales de gaz dans l'environnement sont détectées. La vitesse du ventilateur est automatiquement réglée en fonction de la quantité de particules et du degré de sensibilité attribué au détecteur de particules. Voir le paragraphe suivant.
- Pour désactiver la fonction de détection de particules, appuyer sur le bouton-poussoir activation/désactivation des fonctions jusqu'à ce que l'icône du détecteur de particules s'éteigne.

#### Réglage de la sensibilité du détecteur de particules

- Appuyer sur le bouton-poussoir activation/désactivation des fonctions (3 dans l'illustration ci-dessus) pour activer la fonction de détection de particules; l'icône du détecteur de particules (7 dans l'illustration ci-dessus) s'allumera. Puis, appuyer durant 2 secondes sur le bouton-poussoir activation/désactivation des fonctions : le niveau de sensibilité apparaîtra au centre (8 dans l'illustration ci-dessus).
- Appuyer encore sur ce bouton-poussoir pour changer le niveau de sensibilité (de 0 [sensibilité minimale] à 9 [sensibilité maximale]).
- Appuyer sur le bouton-poussoir mise à zéro des filtres à graisses (4 dans l'illustration ci-dessus) pour confirmer (sinon, sera confirmé automatiquement après 5 secondes).

#### Évacuation de l'air

- Pour activer la fonction d'évacuation de l'air, appuyer sur le bouton-poussoir activation/désactivation des fonctions (3 dans l'illustration ci-dessus); l'icône de fonction d'évacuation de l'air (9 dans l'illustration ci-dessus) apparaîtra.
- Pour arrêter la fonction d'évacuation de l'air, appuyer sur le bouton-poussoir activation/désactivation des fonctions jusqu'à ce que son icône s'éteigne.
- La fonction d'évacuation d'air ne peut s'activer que lorsque le ventilateur n'est pas en marche. Lorsqu'activée, le ventilateur de la hotte évacue l'air en un silence parfait, à toutes les 50 minutes (durant 10 minutes, en première vitesse).

#### Mise à zéro des filtres à graisses

- Une fois le nettoyage des filtres à graisses terminé, appuyer sur le bouton-poussoir de mise à zéro des filtres à graisses (4 dans l'illustration des commandes) pour mettre à zéro la minuterie de l'entretien des filtres. L'icône d'entretien des filtres à graisses (5 dans l'illustration des commandes) s'éteindra.

## 22. FONCTIONNEMENT (SUITE)

### Indicateur d'entretien des filtres à graisses

- Après 30 heures de fonctionnement, l'icône d'entretien des filtres à graisses (5 dans l'illustration des commandes) apparaît pour signifier qu'il est temps de les nettoyer.
- Une fois le nettoyage des filtres à graisses terminé, appuyer sur le bouton-poussoir de mise à zéro des filtres à graisses pour mettre à zéro la minuterie de l'entretien des filtres.

### Rétroéclairage de l'interface

- Mode arrêt (ventilateur en arrêt, fonctions de détection de particules et d'évacuation d'air désactivées) : aucun rétroéclairage.
- Éclairage halogène activé : aucun effet sur le rétroéclairage.
- Ventilateur en marche : rétroéclairage à intensité maximale.
- Fonctions de détection de particules et d'évacuation de l'air activées : rétroéclairage à intensité maximale.
- Détecteur de particules en mode réglage et évacuation de l'air en mode sélection : rétroéclairage à intensité minimale.

### HEAT SENTRY<sup>MC</sup>

Cette hotte est munie d'un thermostat HEAT SENTRY<sup>MC</sup>. Ce thermostat est un dispositif qui mettra en marche ou augmentera la vitesse du ventilateur s'il détecte une chaleur excessive au-dessus de la surface de cuisson.

- Si le ventilateur est arrêté, il le mettra en marche en vitesse 3 (l'icône de vitesse du moteur indiquera « H »).
- Si le ventilateur fonctionne, il le réglera en vitesse 3 (l'icône de vitesse du moteur indiquera « H »).

NOTE : Lorsque le Heat Sentry<sup>MC</sup> est activé, les fonctions d'évacuation de l'air et de détection de particules sont inactivées. La communication en provenance d'un module LinkLogic® est aussi désactivée.

### ⚠ AVERTISSEMENT

**Lors d'un feu de cuisson ou d'une chaleur excessive, le HEAT SENTRY peut mettre le ventilateur en marche même s'il est arrêté. Si tel est le cas, il est impossible d'arrêter le ventilateur avec son interrupteur. Si vous devez arrêter le fonctionnement du ventilateur, le débrancher de la hotte en tirant sur la fiche à 2 broches de son cordon (située derrière les filtres); ne pas tirer sur le cordon.**

- Lorsque la température revient à la normale, le ventilateur retourne à son état d'origine (l'icône de la vitesse de ventilateur affichera la vitesse originale du ventilateur).
- Pour arrêter le fonctionnement du ventilateur lorsque le Heat Sentry<sup>MC</sup> est activé, appuyer sur le bouton-poussoir du ventilateur (2 dans l'illustration des commandes) durant plus d'une seconde.

### Compatibilité au réseau LinkLogic®

Votre hotte de série IP29M peut être reliée au réseau LinkLogic, s'il est installé dans votre maison.

### DIRECTIVES POUR RÉSEAUTAGE LINKLOGIC

#### A. ACTIVER LE MODE « LINK » DE LA HOTTE

Appuyer sur le bouton-poussoir mode LinkLogic *Link* (4 dans l'illustration des commandes) durant 2 secondes; l'icône LinkLogic de l'interface (11 dans l'illustration des commandes) devrait apparaître et le rétroéclairage sera à son maximum.

#### RACCORDEMENT POUR MODULES DE COMMANDE MURALE, COMMANDE À DISTANCE OU VENTILATEURS EXTERNES

##### ACTIVER LE MODE « LINK » DU DISPOSITIF LINKLOGIC

Appuyer sur le bouton *Link* du dispositif LinkLogic pour une durée spécifique pour activer son mode *Link* (voir les directives du dispositif LinkLogic).

##### DÉMARRER LE PROCESSUS « AUTO-LINK » DE LA HOTTE

Appuyer sur le bouton-poussoir mode LinkLogic *Link* (4 dans l'illustration des commandes) pour démarrer le processus *Auto-Link*, un « A » clignotant devrait apparaître (8 dans l'illustration des commandes) sur l'interface jusqu'à ce que le lien soit établi.

NOTE : Pour certains dispositifs LinkLogic, il n'y a pas de « A » clignotant car le processus de raccordement est trop court.

#### RACCORDEMENT POUR MODULES SMARTSENSE<sup>MC</sup> OU D'APPORT D'AIR

VOIR L'ÉTAPE 22 (EN PAGE SUIVANTE) POUR CONFIGURER LES CAVALIERS DE LA CARTE DU SYSTÈME LINKLOGIC SELON LA PERFORMANCE DU VENTILATEUR.

##### DÉMARRER LE PROCESSUS « MASTER LINK » DE LA HOTTE

Appuyer sur le bouton-poussoir mode LinkLogic *Master Link* (1 dans l'illustration des commandes) pour démarrer le processus *Master Link*, un « L » clignotant devrait apparaître (8 dans l'illustration des commandes) sur l'interface pour signifier que la hotte est prête à être reliée au module SmartSense<sup>MC</sup> ou d'apport d'air.

##### ACTIVER LE MODE « LINK » DU DISPOSITIF LINKLOGIC

Appuyer sur le bouton *Link* du dispositif LinkLogic (pour l'emplacement, voir les directives du dispositif) pour une durée spécifique pour activer son mode *Link*. Attendre la disparition du « L » de l'interface de la hotte avant d'aller à l'étape suivante.

##### RACCORDEMENT D'UN AUTRE DISPOSITIF LINKLOGIC

Aller à la première étape correspondante au type de module LinkLogic à être raccordé. Sinon, pour sortir du mode *Link*, voir SORTIE DU MODE *LINK* DE LA HOTTE.

#### B. SORTIE DU MODE *LINK* DE LA HOTTE

Appuyer durant 2 secondes sur le bouton-poussoir mode LinkLogic *Link* (4 dans l'illustration des commandes) pour sortir du mode *Link*. Si aucune autre opération n'est effectuée, le mode *Link* demeure actif durant 4 minutes.

## 22. FONCTIONNEMENT (SUITE)

### PROCESSUS D'EFFACEMENT DU RACCORDEMENT

#### A. ACTIVER LE MODE « LINK » DE LA HOTTE

Appuyer sur le bouton-poussoir mode LinkLogic *Link* (4 dans l'illustration des commandes) durant 2 secondes; l'icône LinkLogic de l'interface (11 dans l'illustration des commandes) devrait apparaître et le rétroéclairage sera à son maximum.

#### B. EFFACER TOUS LES RACCORDEMENTS DES DISPOSITIFS LINKLOGIC

Appuyer durant 2 secondes sur le bouton-poussoir LinkLogic Erase Link (3 dans l'illustration des commandes) pour démarrer le processus d'effacement, un « E » clignotant devrait apparaître (8 dans l'illustration des commandes) sur l'interface de la hotte jusqu'à ce que les raccordements soient effacés.

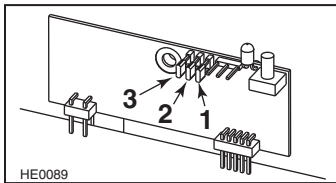
#### C. SORTIE DU MODE « LINK » DE LA HOTTE

Appuyer durant 2 secondes sur le bouton-poussoir mode LinkLogic *Link* (4 dans l'illustration des commandes) pour sortir du mode *Link*. Si aucune autre opération n'est effectuée, le mode **Link** demeure actif durant 4 minutes.

NOTE : Si, lors du fonctionnement normal de la hotte, l'icône LinkLogic (11 dans l'illustration des commandes) se met à clignoter, c'est qu'une erreur s'est produite lors de la communication avec un module LinkLogic. Pour effectuer la remise à zéro de ce signal d'erreur, le client doit entrer et sortir du mode Link tel qu'expliqué précédemment. Cette action effacera le signal d'erreur jusqu'à ce qu'il se produise à nouveau. Si le problème se répète, il est recommandé d'effacer tous les raccordements et de refaire tout le processus de raccordement.

## 23. CONFIGURATION DES CAVALIERS DE LA CARTE DU SYSTÈME LINKLOGIC

Le système LinkLogic est conçu pour fonctionner avec des dispositifs tels que le système Smart Sense Fan de Broan qui doit connaître le débit en  $\text{pi}^3/\text{min}$  de cette hotte. Si cette hotte est utilisée avec un dispositif LinkLogic qui doit connaître ce débit en  $\text{pi}^3/\text{min}$ , veuillez vous référer aux tableaux suivants pour configurer les cavaliers de la carte du système LinkLogic de la hotte afin de fournir l'information exacte concernant les  $\text{pi}^3/\text{min}$ . Pour accéder à la carte LinkLogic de la hotte, retirer les filtres, la gouttière et le cadre intérieur de la hotte (voir les étapes 5 et 6). Retirer les 2 vis retenant le panneau de contrôle à la hotte. Pivoter soigneusement le panneau pour voir la configuration des cavaliers de la carte du système LinkLogic. Retirer les cavaliers des broches et reconfigurer selon la performance du ventilateur.



HE0089  
CAVALIERS DE LA CARTE  
DU SYSTÈME LINKLOGIC

Broche 1	Broche 2	Broche 3	Débit maximum de la hotte
0	0	0	0 $\text{pi}^3/\text{min}$
0	0	1	300 $\text{pi}^3/\text{min}$
0	1	0	500 $\text{pi}^3/\text{min}$
0	1	1	600 $\text{pi}^3/\text{min}$

0 = Pas de cavalier sur la broche.

1 = Cavalier sur la broche.

Broche 1	Broche 2	Broche 3	Débit maximum de la hotte
1	0	0	900 $\text{pi}^3/\text{min}$
1	0	1	1000 $\text{pi}^3/\text{min}$
1	1	0	1200 $\text{pi}^3/\text{min}$
1	1	1	1500 $\text{pi}^3/\text{min}$

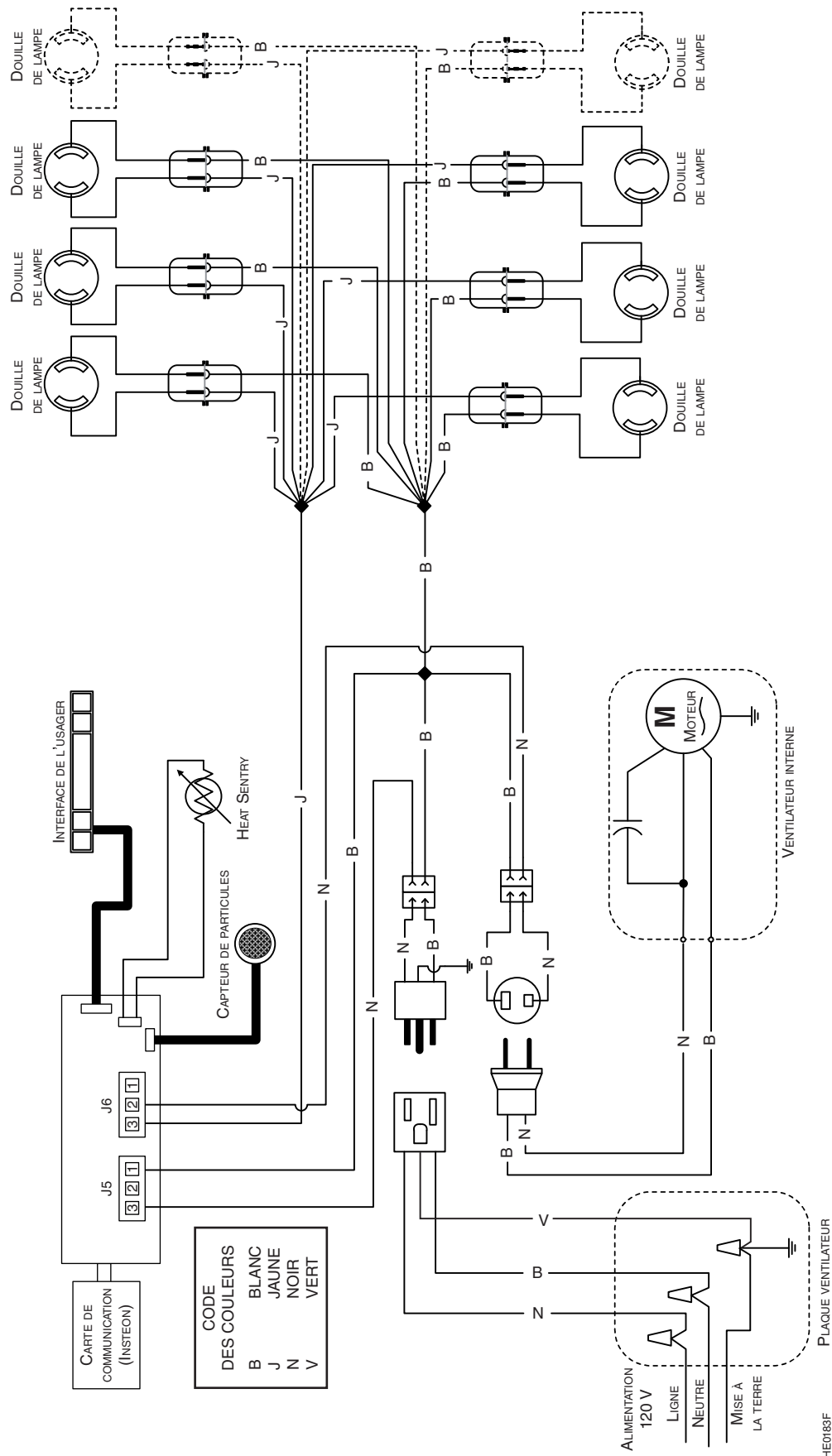
0 = Pas de cavalier sur la broche.

1 = Cavalier sur la broche.

En cas de doute si l'accessoire ou le dispositif LinkLogic doit connaître le niveau de  $\text{pi}^3/\text{min}$ , veuillez vous référer aux instructions du dispositif.

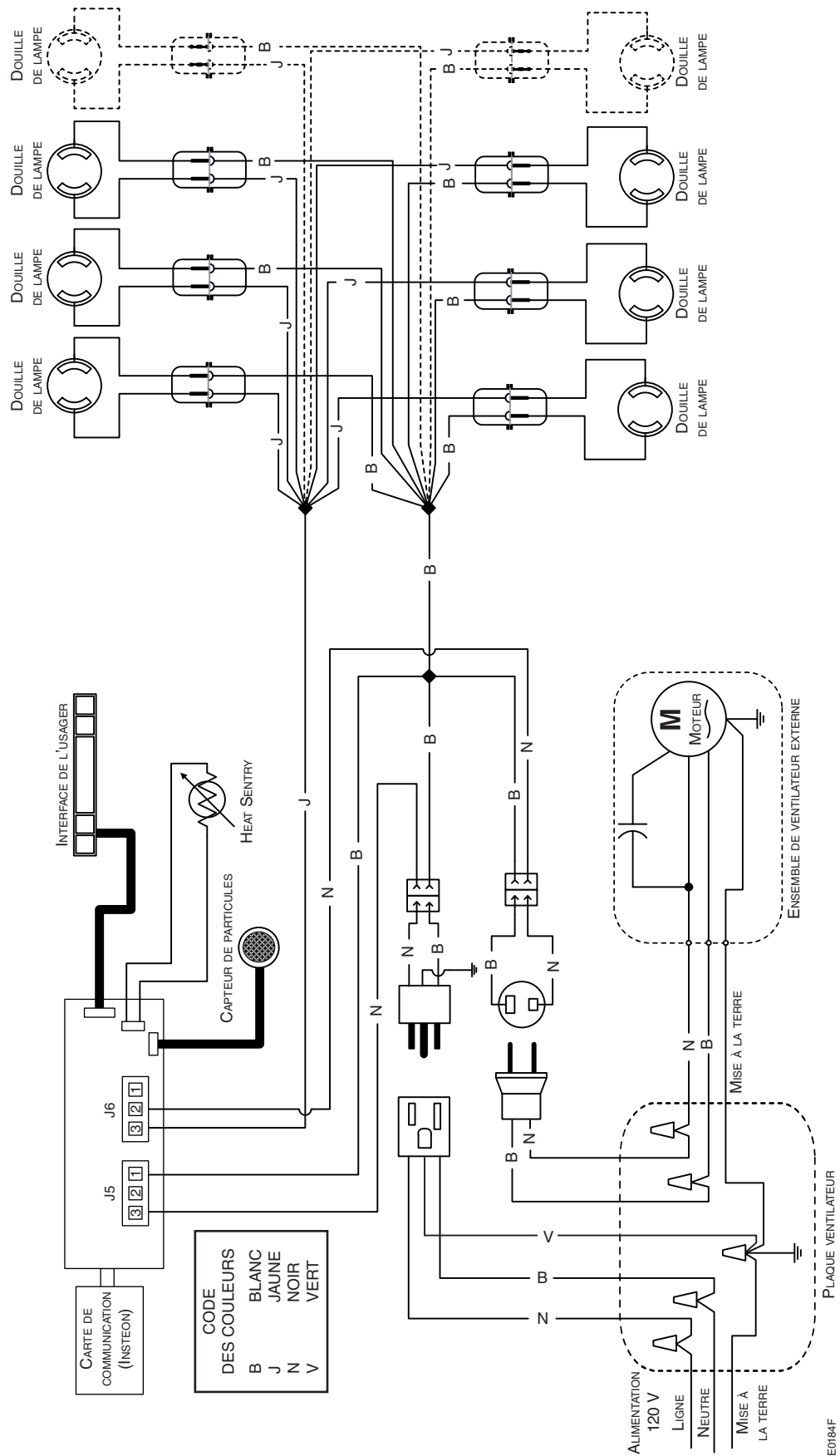
# 24. SCHÉMAS ÉLECTRIQUES

## VENTILATEUR INTERNE



# 24. SCHÉMAS ÉLECTRIQUES (SUITE)

## VENTILATEUR EXTÉRIEUR OU EN LIGNE



## 25. GARANTIE

### GARANTIE

#### GARANTIE LIMITÉE DE UN AN DES PRODUITS BEST

Broan-NuTone LLC (Broan-NuTone) garantit à l'acheteur consommateur initial de produits Best qu'ils sont exempts de tout défaut dans les matières premières ou la main-d'oeuvre, pour une période de un an à compter de la date d'achat par le consommateur initial. IL N'Y A PAS D'AUTRES GARANTIES, EXPRIMÉES OU IMPLICITES, INCLUANT, MAIS NON LIMITÉES AUX GARANTIES IMPLICITES POUR FIN DE COMMERCIALISATION ET DE CONVENANCE DANS UN BUT PARTICULIER. Durant cette période de un an, Broan-NuTone, à sa discrétion, réparera ou remplacera gratuitement, tout produit ou pièce qui s'avère défectueux et ayant été utilisé normalement et d'une manière non abusive. CETTE GARANTIE NE COUVRE PAS LES STARTERS DE TUBES FLUORESCENTS, LES FLUORESCENTS, LES AMPOULES HALOGÈNES ET À INCANDESCENCE, LES FUSIBLES, LES FILTRES, LES CONDUITS, LES CAPUCHONS DE TOIT, LES CAPUCHONS DE MUR ET LES AUTRES ACCESSOIRES DE CONDUITS.

Cette garantie ne couvre pas (a) l'entretien et le service normal ou (b) tout produit ou pièce endommagé à la suite de mauvais usage, de négligence, d'accident, d'entretien inapproprié ou de réparation (autre que par Broan-NuTone), d'une installation inadéquate ou non conforme au mode d'installation recommandé. La durée de toute garantie implicite est limitée à une période de un an tel qu'elle est spécifiée pour la garantie exprimée. Certains États ou provinces ne permettent pas de limite de temps sur les garanties implicites. Si tel est le cas, veuillez ne pas tenir compte de la dernière limite décrite ci-dessus.

**L'ENGAGEMENT DE BROAN-NUTONE DE RÉPARER OU DE REMPLACER, AU CHOIX DE BROAN-NUTONE, SERA LA SEULE OBLIGATION EXCLUSIVE SOUS CETTE GARANTIE. BROAN-NUTONE NE SERA PAS TENUE RESPONSABLE DES DOMMAGES DIRECTS, INDIRECTS OU SPÉCIAUX SURVENANT À CAUSE DE OU EN RAPPORT À L'UTILISATION OU À LA PERFORMANCE DE SES PRODUITS. Certains États ou provinces ne permettent pas l'exclusion ou la limite relative aux dommages directs, indirects ou spéciaux. Si tel est le cas, veuillez ne pas tenir compte de l'exclusion ou de la limite ci-dessus.**

Cette garantie vous donne des droits légaux spécifiques et il se peut que vous ayez d'autres droits qui varient d'un État ou d'une province à l'autre. Cette garantie annule toutes les autres garanties précédentes. Pour le service sous garantie, vous devez (a) aviser Broan-NuTone à l'adresse ou au numéro de téléphone mentionnés ci-dessous, (b) donner le numéro du modèle et l'identification de la pièce et (c) décrire la nature de tout défaut dans le produit ou la pièce. Au moment de la demande de service sous garantie, vous devez présenter une preuve de la date d'achat initial dudit produit.

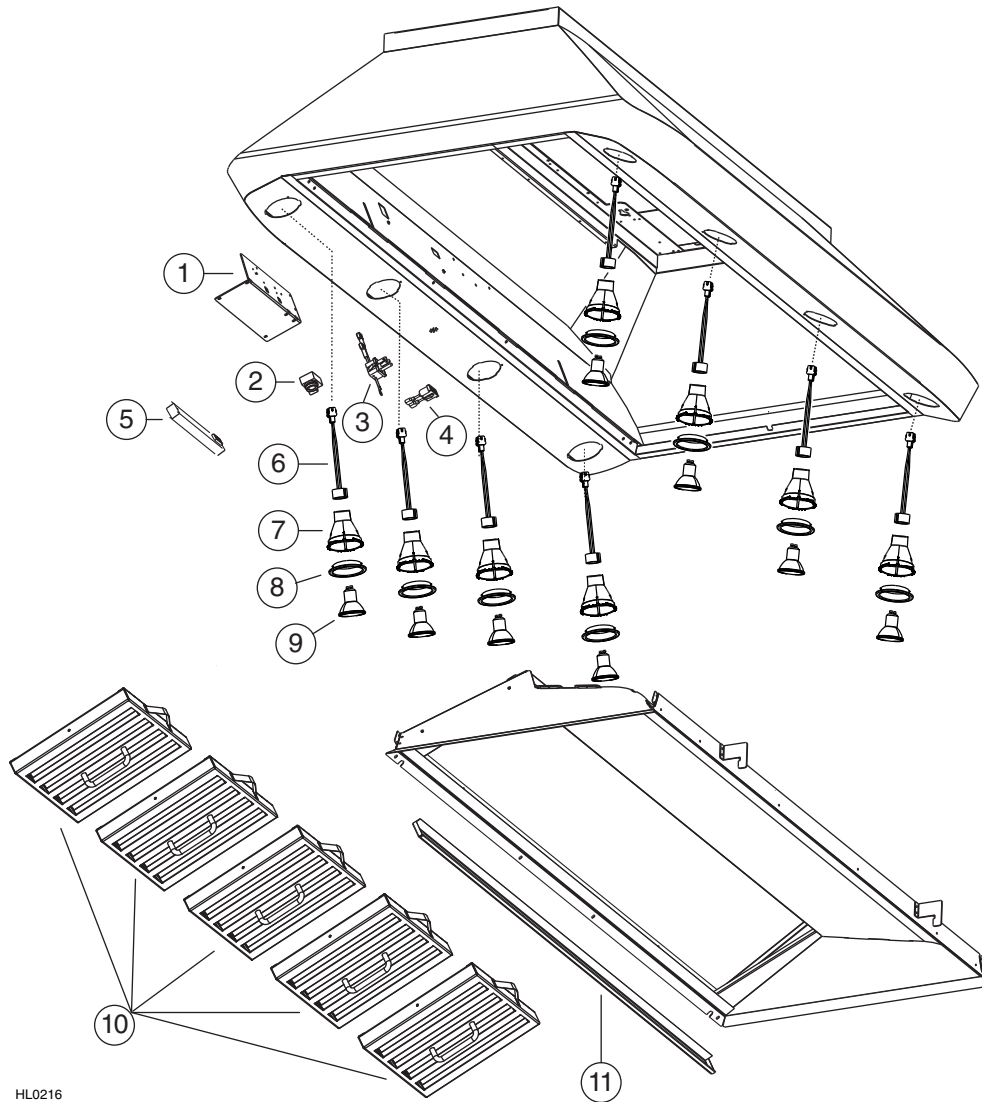
**Aux États-Unis - Best®**, 926 W. State Street, Hartford, WI 53027 (800 558-1711)

**Au Canada - Best®**, 550 boul. Lemire, Drummondville, QC, Canada, J2C 7W9 (866 737-7770)

[www.BestRangeHoods.com](http://www.BestRangeHoods.com)

# 26. PIÈCES DE RECHANGE

## Série IP29M



HL0216

N° RÉF.	N° DE PIÈCE	DESCRIPTION	QTÉ (LARGEUR HOTTE)	
			42"	54"
1	SV08069	CONTRÔLE PRINCIPAL	1	1
2	SV08073	DÉTECTEUR DE PARTICULES	1	1
3	SV13924	CONNECTEUR MÂLE	1	1
4	SV13923	CONNECTEUR FEMELLE	1	1
5	SV08074	INTERFACE DE COMMANDE	1	1
6	SV05917	DOUILLE GU10	6	8
7	SV09435	SUPPURT DE DOUILLE GU10	6	8
8	SV09434	GARNITURE DE LAMPE ACIER INOXYDABLE	6	8
9	SV05921	AMPOULE HALOGÈNE AVEC ÉCRAN (50 W, 120 V, PAR16, GU10)	6	8
10	SV61639	FILTRE À CHICANE HYBRIDE AVEC MICROMESH ET POIGNÉE 8,84 PO X 8,61 PO X 1 PO	1	5
	SV61640	FILTRE À CHICANE HYBRIDE AVEC MICROMESH ET POIGNÉE 11,84 PO X 8,61 PO X 1 PO	2	-
11	SV61934	GOUTTIÈRE 42 PO	1	-
	SV61935	GOUTTIÈRE 54 PO	-	1
*	SV03435	THERMISTOR HEAT SENTRY <sup>MC</sup>	1	1
*	SV08072	GUIDE D'INSTALLATION	1	1
*	SV08068	SAC DE PIÈCES : VIS À BOIS EN ACIER N° 10 X 1,5 PO (10), VIS N° 8 X 3/8 PO (6), RONDELLES EN ACIER N° 10 (10)	1	1
*	SV05869	LOGO BEST	1	1

\* NON ILLUSTRÉE

N° RÉF.	N° DE PIÈCE	DESCRIPTION	QUANTITÉ	
			CHEMINÉE DÉCORATIVE	JOINT DÉCORATIF
*	SV06927	SAC DE PIÈCES POUR ACCESSOIRE : ÉCROU HEXAGONAL EN ACIER (5), VIS N° 8 X 3/8 PO (14), RONDELLES EN ACIER N° 10 (10), VIS À BOIS EN ACIER N° 10 X 1,5 PO (10)	1	1

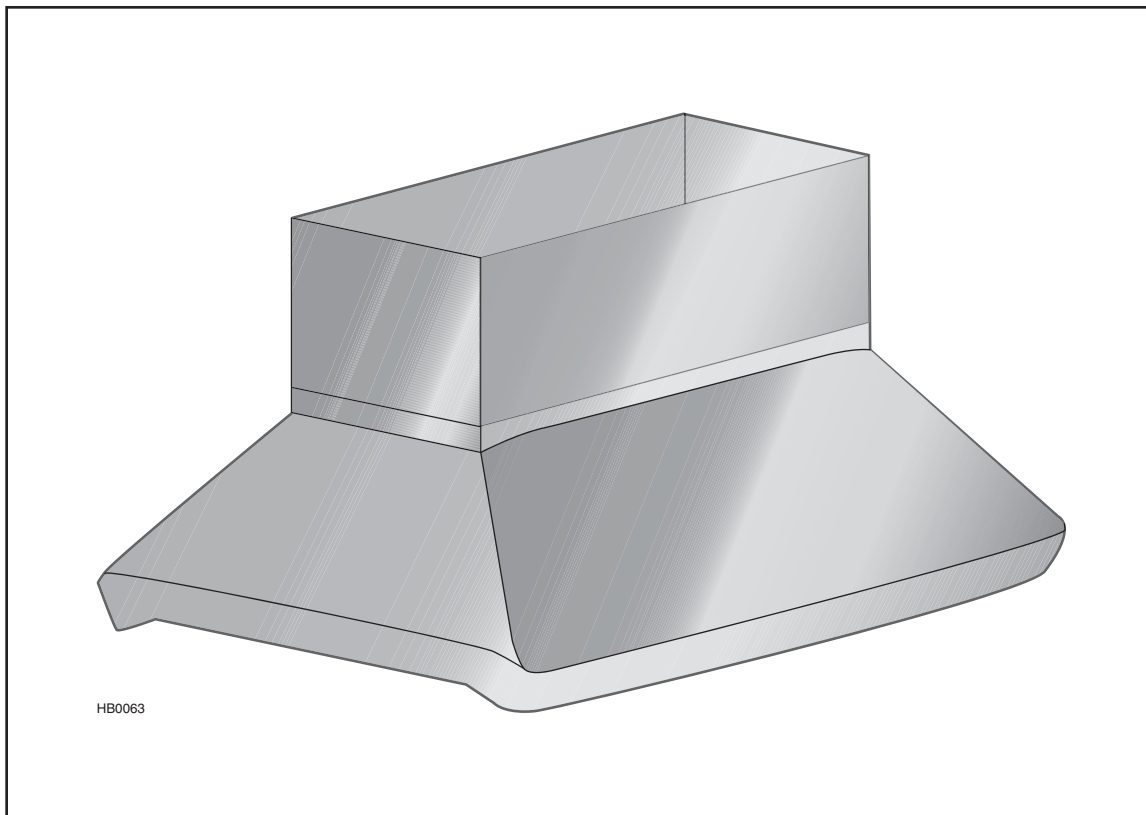
\* NON ILLUSTRÉE

### PIÈCES DE REMPLACEMENT ET SERVICE

Pour assurer le bon fonctionnement de votre appareil, vous devez toujours utiliser des pièces d'origine provenant de Broan-NuTone. Les pièces d'origine de Broan-NuTone sont spécialement conçues pour satisfaire toutes les normes de certification de sécurité applicables. Leur remplacement par des pièces ne provenant pas de Broan-NuTone pourrait ne pas assurer la sécurité de l'appareil, entraîner une réduction sévère des performances ainsi qu'un risque de défaillance prématurée. Broan-NuTone recommande également de toujours vous référer à une entreprise de services compétente et reconnue par Broan-NuTone pour vos pièces de remplacement et appels de service.



# best®



## SERIE IP29M

⚠ SÓLO PARA COCINA DOMÉSTICA ⚠

**LEA Y CONSERVE ESTAS INSTRUCCIONES**

INSTALADOR: ENTREGUE ESTE MANUAL AL PROPIETARIO DE LA CASA.  
PROPIETARIO: INFORMACIÓN SOBRE UTILIZACIÓN, CUIDADO Y FUNCIONAMIENTO  
EN LAS PÁGINAS 53 A 56.

BEST; Hartford, Wisconsin [www.BestRangeHoods.com](http://www.BestRangeHoods.com) 800-558-1711

BEST; Drummondville, Qc, Canada [www.BestRangeHoods.com](http://www.BestRangeHoods.com) 866-737-7770

Para registrar su producto en línea o para obtener más información, visitar nuestro sitio [www.BestRangeHoods.com](http://www.BestRangeHoods.com)

## **⚠️ ADVERTENCIA**

### **PARA REDUCIR EL RIESGO DE INCENDIO, DESCARGA ELÉCTRICA O LESIÓN CORPORAL, RESPETE LAS SIGUIENTES INDICACIONES:**

1. Utilice esta aparato únicamente de la forma en que indica el fabricante. Si tiene cualquier pregunta, póngase en contacto con el fabricante en la dirección o el teléfono que aparecen en la garantía.
2. Antes de reparar o limpiar el aparato, apáguelo en el tablero de servicio y bloquee los medios de desconexión para impedir que la corriente se conecte accidentalmente. Cuando no se pueda bloquear los medios de desconexión, coloque un dispositivo de advertencia visible (como una etiqueta) en el tablero de servicio.
3. La instalación y la conexión eléctrica deben ser realizadas por personal calificado de acuerdo con todos los códigos y normas aplicables, incluso los relativos a la construcción ignífuga.
4. Para lograr una combustión adecuada y una extracción correcta de los gases a través de la salida del humo (chimenea) del equipo quemador de combustible — evitando así el contratiempo — es necesario disponer de aire suficiente. Siga las directrices del fabricante del equipo de material térmico y las normas de seguridad, como las que publica la NFPA (asociación de protección contra los incendios) y la ASHRAE (sociedad estadounidense de técnicos de calefacción, refrigeración y aire acondicionado) así como los códigos de los organismos responsables locales.
5. Al cortar o perforar la pared o el techo, procure no dañar el cableado eléctrico ni otras instalaciones de servicios públicos.
6. Los ventiladores entubados siempre deben tener salida al exterior.
7. No utilice este aparato con un dispositivo de control de velocidad con semiconductores.
8. Para reducir el riesgo de incendio, utilice sólo tuberías metálicas.
9. Este aparato debe conectarse a tierra.
10. Cuando una reglamentación local esta en vigor y conlleva exigencias de instalación y/o de certificación más estrictas, susodichas exigencias prevalecen sobre aquellas en este documento y el instalador acepta someterse a estas exigencias a sus gastos.

### **PARA REDUCIR EL RIESGO DE QUE ARDA LA GRASA EN LA PARTE SUPERIOR DE LA COCINA:**

- a) No deje nunca recipientes de cocina a fuego vivo sin vigilancia. Los desbordamientos producen humo y derrames grasientos que pueden inflamarse. Caliente el aceite despacio, a fuego lento o mediano.
- b) Ponga en marcha siempre la campana extractora al cocinar a temperaturas elevadas o al cocinar alimentos flameados (crepas Suzette, cerezas jubilee, res con pimienta flambeada).
- c) Limpie los ventiladores con frecuencia. No deje que la grasa se acumule en el ventilador, ni en los filtros o en los conductos de evacuación.
- d) Utilice cacerolas de tamaño apropiado. Emplee siempre un recipiente adecuado para el tamaño de la placa.

## **⚠️ ADVERTENCIA**

### **PARA REDUCIR EL RIESGO DE LESIONES CORPORALES EN EL CASO DE QUE ARDA LA GRASA EN LA PARTE SUPERIOR DE LA COCINA, SIGA ESTAS INDICACIONES\*:**

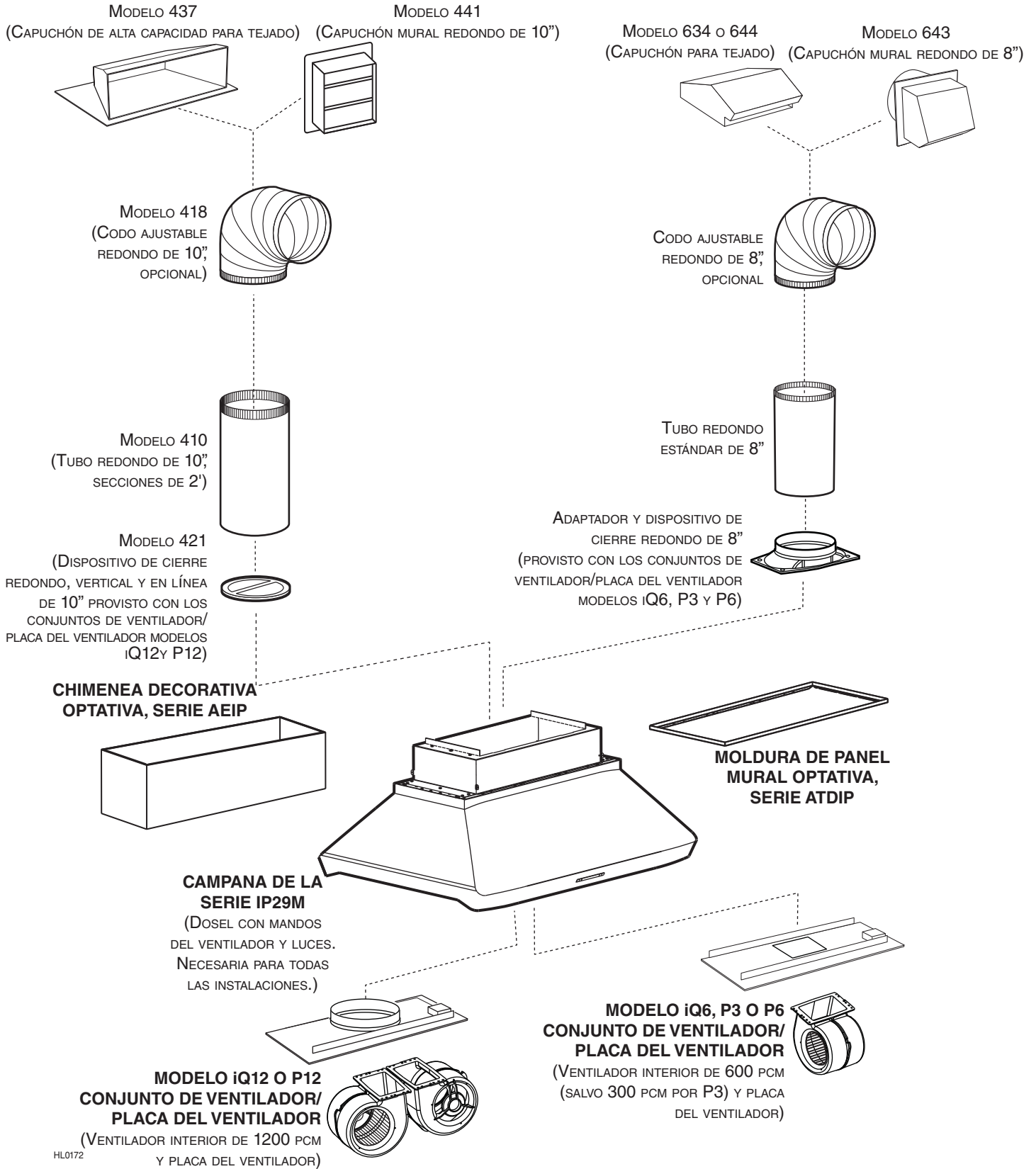
1. SOFOQUE LAS LLAMAS con una tapa ajustada, una placa o bandeja metálica para hornear galletas, y apague luego el quemador. TENGA CUIDADO PARA EVITAR QUEMADURAS. SI LAS LLAMAS NO SE APAGAN INMEDIATAMENTE, EVACUE EL LUGAR Y LLAME A LOS BOMBEROS.
2. NO SUJETE NUNCA UNA SARTÉN EN LLAMAS ya que podría quemarse.
3. NO USE AGUA, ni trapos húmedos. Podría causar una violenta explosión de vapor.
4. Utilice un extintor SOLAMENTE si:
  - A. Tiene un extintor de tipo ABC y sabe usarlo.
  - B. El incendio es pequeño y está circunscrito a la zona donde empezó.
  - C. Ya ha llamado a los bomberos.
  - D. Puede tratar de apagar el fuego si dispone siempre de una salida detrás de usted.

\* Fuente: "Kitchen Fire Safety Tips" publicado por la NFPA.

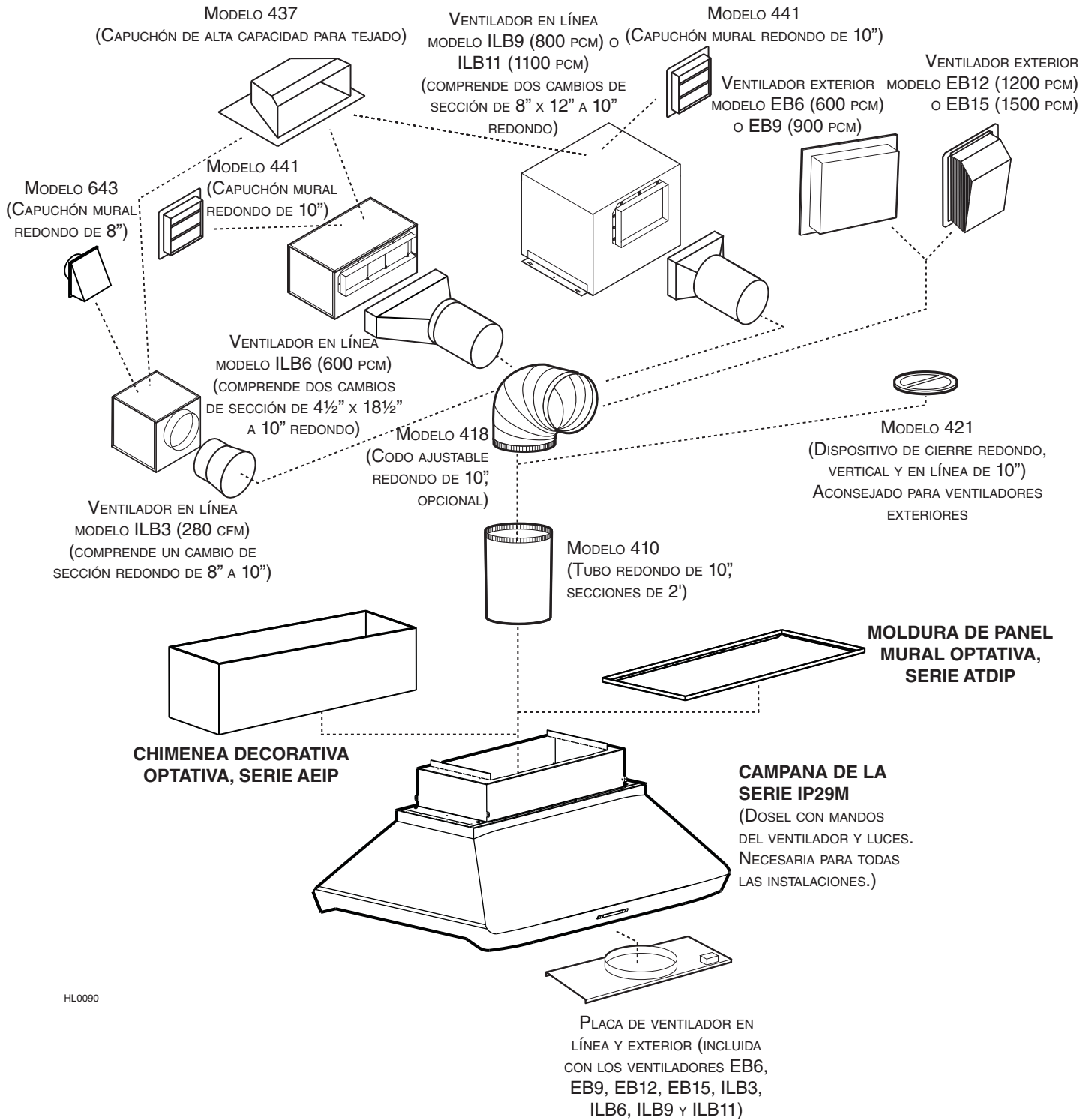
## **PRECAUCIÓN**

1. Sólo para una utilización en el interior.
2. Sólo para ventilación general. No debe utilizarse para extraer materiales o vapores peligrosos o explosivos.
3. Para evitar daños en el cojinete del motor y que la hélice haga ruido o se desequilibre, mantenga la unidad de alimentación lejos de los vaporizadores de pirca, del polvo de la construcción, etc.
4. El motor de la campana tiene un dispositivo contra sobrecargas térmicas que apaga el motor automáticamente si éste se sobrecalienta. El motor volverá a ponerse en marcha cuando se enfríe. Si el motor sigue apagándose, haga examinar la campana.
5. Para que la campana capte bien las impurezas que se desprenden al cocinar, la base de la campana ha de estar a una distancia mínima de 30 pulgadas y a una máxima de 36 pulgadas. con respecto a la superficie sobre la que se cocina.
6. Dado el peso y el tamaño de esta campana, se aconsejan dos personas para instalarla.
7. Para reducir los riesgos de incendio y extraer el aire debidamente, el aire debe evacuarse fuera. No extraiga el aire a espacios situados entre las paredes, en el techo o en el desván, falso techo o garaje.
8. Este producto está equipado con un termostato que puede poner en marcha el ventilador automáticamente. Para reducir el riesgo de que se produzcan daños y evitar poner en marcha la alimentación accidentalmente, apague la corriente en el tablero de servicio, bloquee este tablero o ponga una etiqueta de advertencia.
9. A causa de la gran capacidad de evacuación de esta campana, usted debe asegurarse que suficiente aire entre en la casa para reemplazar el aire evacuado, utilizando un dispositivo de aire de reposición o abriendo una ventana a el interior o cerca de la cocina por ejemplo.
10. Para reducir el riesgo de incendio y de choque eléctrico, la campana de la serie IP29M de Best debe instalarse únicamente con los ventiladores interiores iQ6, P3, P6, iQ12 o P12 de Best, y los ventiladores exteriores EB6, EB9, EB12 o EB15 de Best, y los ventiladores en línea ILB3, ILB6, ILB9 o ILB11 de Best. No deben utilizarse otros ventiladores. Los ventiladores se venden aparte.
11. Para mayor información y conocer los requisitos, lea la etiqueta con las especificaciones en el producto.

# - SISTEMA DE CAMPANA DE COCINA DE LA SERIE IP29M - VENTILADORES INTERIORES



## - SISTEMA DE CAMPANA DE COCINA DE LA SERIE IP29M - VENTILADORES EN LÍNEA Y EXTERIORES



HL0090

# 1. SELECCIÓN DEL TIPO DE VENTILADOR E INSTALACIÓN

Esta campana puede emplearse con un ventilador impelente interior, exterior o en línea. La serie IP29M de Best sólo debe instalarse con los modelos iQ6, P3, P6, iQ12, P12, ILB3, ILB6, ILB9, ILB11, EB6, EB9, EB12 o EB15. No deben utilizarse otros ventiladores.

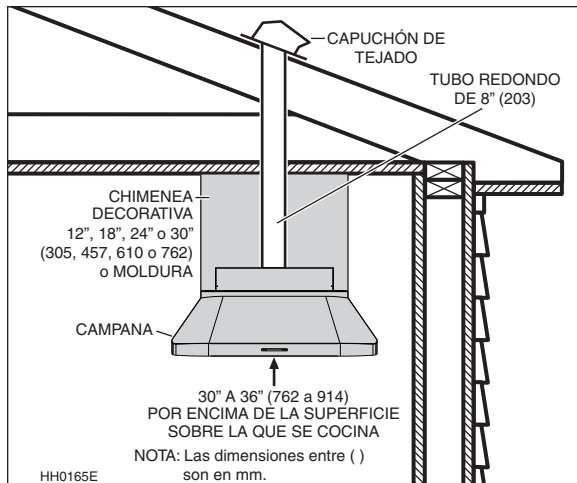
Los ventiladores impelentes se venden aparte.

Planifique el lugar y la forma en que se instalarán los tubos.

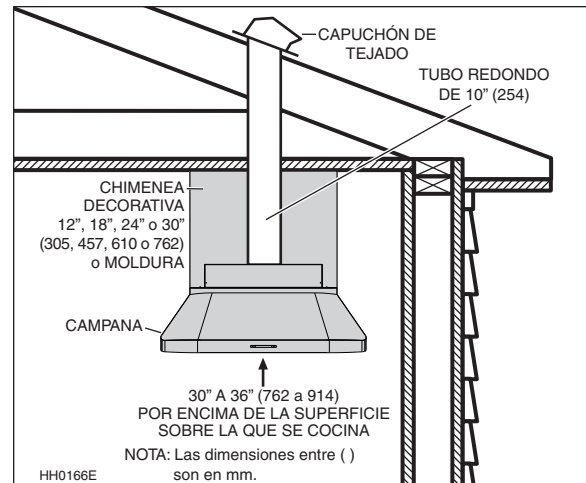
**Si instala un ventilador en línea, consulte las instrucciones que vienen con el ventilador y siga las etapas 1 a 9, 11 a 15, 18 y siguientes de este manual.**

Instale tubos, codos y tapa de techo y murales para el tipo de ventilador que haya elegido. Utilice cinta para tubos metálicos para obturar las juntas.

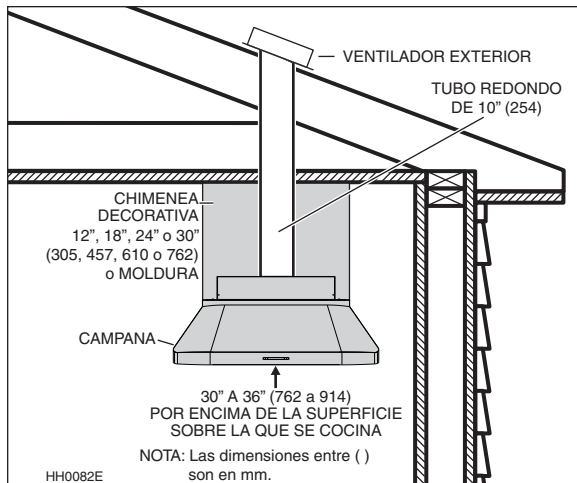
**NOTA:** Para tubos de 8 pulg., es recomendado que haya un tubo recto de mínimo 6 pulg. de longitud entre la campana y un codo, y para tubos de 10 pulg., esta longitud es de mínimo 12 pulg.



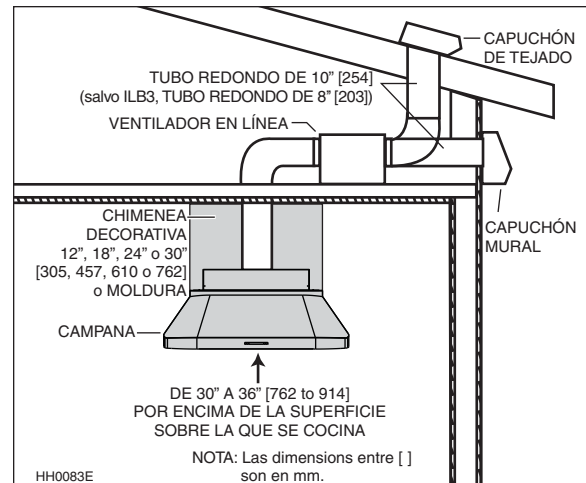
**INSTALACIÓN HABITUAL DE LOS VENTILADORES SENCILLOS INTERIORES iQ6, P3 O P6**



**INSTALACIÓN HABITUAL DE LOS VENTILADORES DOBLES INTERIORES iQ12 O P12**



**INSTALACIÓN HABITUAL DE LOS VENTILADORES EXTERIORES EB6, EB9, EB12 O EB15**



**INSTALACIÓN HABITUAL DE LOS VENTILADORES EN LÍNEA ILB3, ILB6, ILB9 O ILB11**

## 2. MEDIDAS

La ilustración de al lado muestra las dimensiones para la instalación habitual.

**La distancia mínima entre la campana y la superficie sobre la que se cocina no debe ser inferior a 30 pulgadas. Se aconseja una distancia máxima de 36 pulgadas con respecto a la superficie sobre la que se cocina para captar mejor las impurezas que se desprenden al cocinar.**

Las distancias de más de 36 pulgadas quedan a discreción del instalador y de los usuarios.

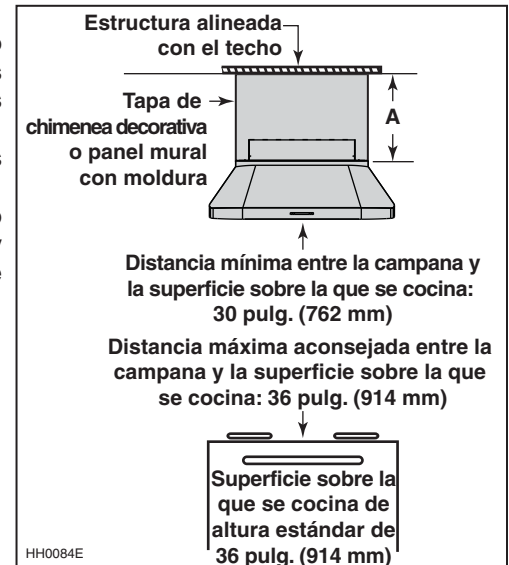
Dado que la estructura de la campana debe estar alineada con el techo, se han previsto 4 tapas para la chimenea decorativa que coinciden con las anchuras de la campana y con las diferentes alturas del techo. Consulte la tabla de abajo para elegir el modelo que se adapta a sus necesidades.

CHIMENEA DECORATIVA			TECHO DE 8', DISTANCIA DESDE LA SUPERFICIE SOBRE LA QUE SE COCINA		TECHO DE 9', DISTANCIA DESDE LA SUPERFICIE SOBRE LA QUE SE COCINA	
MODELO	A (ALTURA)	ANCHURA	30"	36"	30"	36"
AEIP422	12"	42"		X		
AEIP542	12"	54"		X		
AEIP428	18"	42"	X			
AEIP548	18"	54"	X			
AEIP424	24"	42"				X
AEIP544	24"	54"				X
AEIP420	30"	42"			X	
AEIP540	30"	54"			X	

NOTA: No hay chimeneas decorativas para techos de más de 9'.

Si se construye una caja con panel mural en vez de instalar las tapas de la chimenea decorativa, utilice moldura de panel mural para ocultar el lugar en el que coincide la campana con el panel. Consulte la tabla de al lado para encontrar el modelo apropiado para la anchura de su campana.

MODELO	ANCHURA
ATDIP42	42"
ATDIP54	54"



**DISTANCIA MÍNIMA Y MÁXIMA POR ENCIMA DE LA SUPERFICIE SOBRE LA QUE SE COCINA**

## 3. PREPARACIÓN DE LA INSTALACIÓN

### ⚠ ADVERTENCIA

**Se aconseja llevar lentes y guantes de seguridad para instalar, reparar o limpiar la campana.**

NOTA: Antes de comenzar la instalación, verificar el contenido de la caja. Si alguna pieza falta o está dañada, póngase en contacto con el fabricante.

Retire el conjunto para la instalación del interior de la campana.

Compruebe que el conjunto para la instalación contiene los elementos siguientes:

- Manual de instalación
- Accesorios:

- 3 filtros híbridos con manilla (3 para la campana de 42 pulg. de ancho, 5 para la campana de 54 pulg. de ancho)
- Lámparas halógenas protegidas (base de tipo GU10, 120 V, 50 W)  
(6 para las campanas de 42 pulg. de ancho, 8 para campanas de 54 pulg. de ancho)
- Bolsa con las piezas siguientes: (10) tornillos de acero para madera n.º 10 x 1,5"; (10) arandelas de acero n.º 10, (6) tornillos n.º 8 x 3/8"

Piezas vendidas aparte:

- Ventilador interior modelo iQ6, P3 o P6 (incluye placa del ventilador y adaptador y dispositivo de cierre redondo de 8").
- Ventilador interior modelo iQ12 o P12 (incluye placa del ventilador y dispositivo de cierre redondo, vertical y en línea de 10", modelo 421).
- Conjunto de ventilador en línea modelo ILB3, ILB6, ILB9 o ILB11 (incluye cambio(s) de sección y placa del ventilador).
- Conjunto de ventilador exterior modelo EB6, EB9, EB12 o EB15 (todos incluyen placa de ventilador).
- Tubos, codos, dispositivos de cierre, capuchones murales y para el techo. Consulte en las páginas 43 y 44 la lista completa de opciones de ventilación y los números de modelo.
- Tapa de chimenea decorativa optativa de la serie AEIP de 12", 18", 24" o 30" de altura y 42" o 54" de anchura.
- Molduras para panel mural optativas de la serie ATDIP de 42" o 54" de anchura.

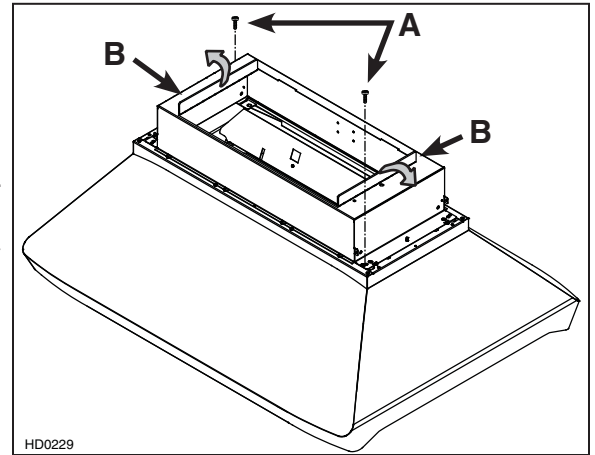
### **Campana con módulo LinkLogic®**

Esta campana es dotada del sistema LinkLogic permitiendo la comunicación, para los cables de electrodoméstico regular de la casa, con otros dispositivos LinkLogic incluyendo el sistema Smart Sense Fan de Broan. Si vosotros deseáis utilizar esta campana con un otro dispositivo LinkLogic, siga las instrucciones de la sección 21 así como las instrucciones incluida con el otro dispositivo LinkLogic.

## 4. PREPARACIÓN DE LA CAJA DEL VENTILADOR

Separe la caja del ventilador de la campana retirando los tornillos de retención (A). Conserve los tornillos.

Pliegue los dos rebordes (B). Los rebordes deben quedar perpendiculares a la parte superior de la caja del ventilador.

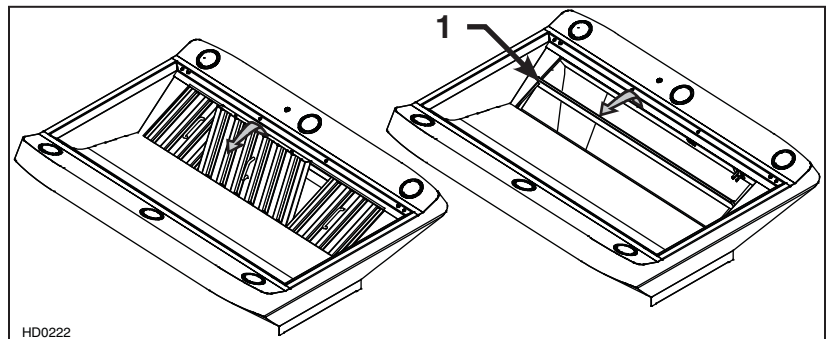


## 5. DESMONTAJE DE LOS FILTROS HÍBRIDOS Y DEL RIEL DE VERTIDO DE LA GRASA

A. Retire la cinta de los filtros híbridos. Saque los filtros híbridos de la campana y póngalos aparte.

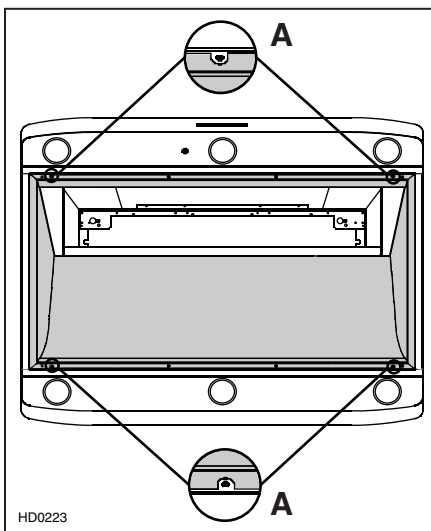
NOTA: Se aconseja empezar por el filtro híbrido central.

B. Retire la cinta del riel de vertido de la grasa (1). Saque el riel y póngalo aparte.

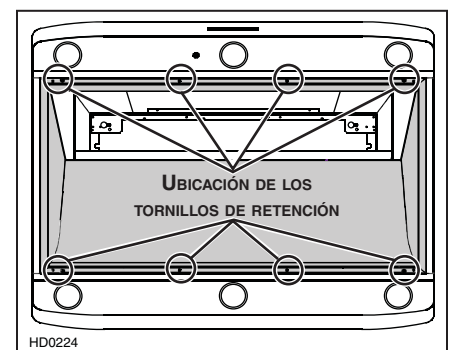


## 6. DESMONTAJE DE LA PLACA

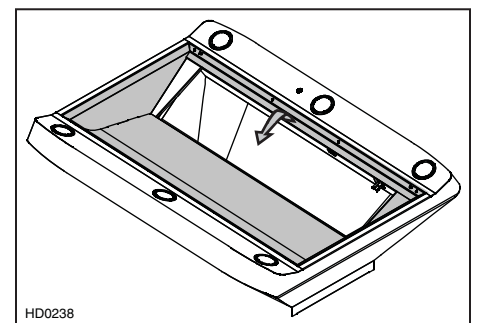
NOTA: No quite los 4 tornillos situados en las partes entalladas de la placa (A en la ilustración de abajo).



Utilice un destornillador Phillips n.º 2 para retirar los tornillos que sujetan la placa (parte sombreada de la ilustración de al lado) a la campana.



Retire la placa y póngala a un lado.



# 7. CONSTRUCCIÓN DEL ARMAZÓN

## ⚠ ADVERTENCIA

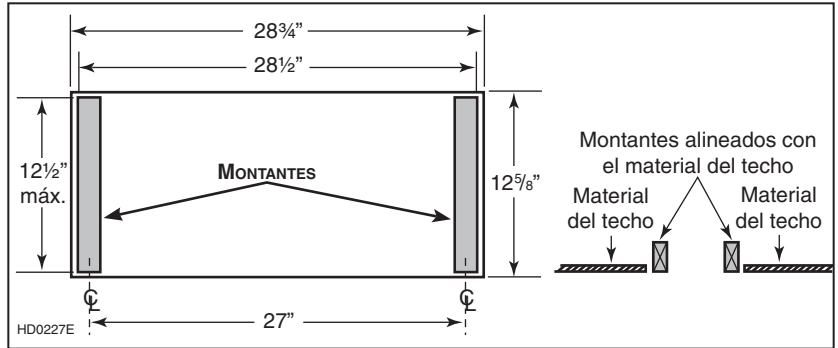
**Siga siempre todos los códigos y normas de construcción aplicables al construir el armazón.**

Debe prepararse un armazón capaz de soportar todo el peso de la campana. Consulte la tabla siguiente para conocer el peso total de la campana según el tipo de ventilador que se haya elegido.

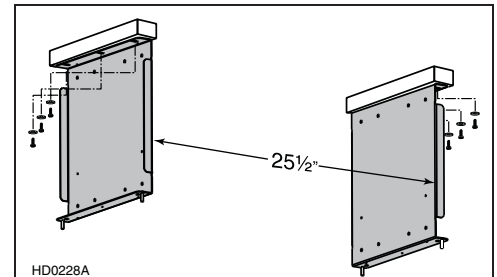
ANCHURA DE LA CAMPANA	CON VENTILADOR INTERIOR iQ6, P3 o P6	CON VENTILADOR INTERIOR iQ12 o P12	CON VENTILADOR EN LÍNEA O EXTERIOR (SÓLO LA PLACA DEL VENTILADOR)
42"	71 LIBRAS	84 LIBRAS	52 LIBRAS
54"	86 LIBRAS	99 LIBRAS	67 LIBRAS

### 7.1 ARMAZÓN ACONSEJADO PARA INSTALAR CON TAPA DE CHIMENEA DECORATIVA, SERIE AEIP

Haga en el techo una abertura de 28¾" x 12½" como máximo en el lugar de la instalación. Instale dos montantes dentro de la abertura con arreglo a las dimensiones que se ven en la ilustración.



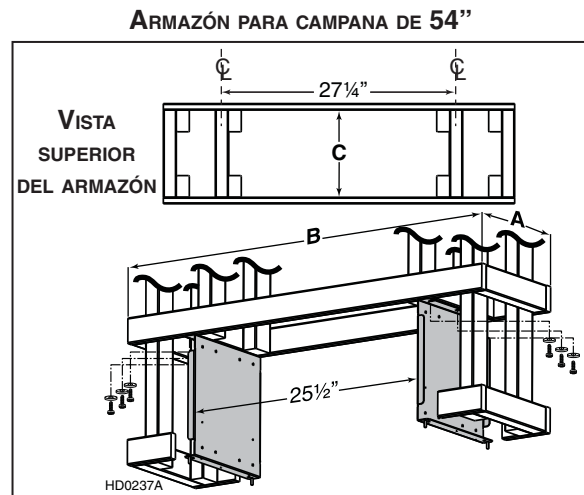
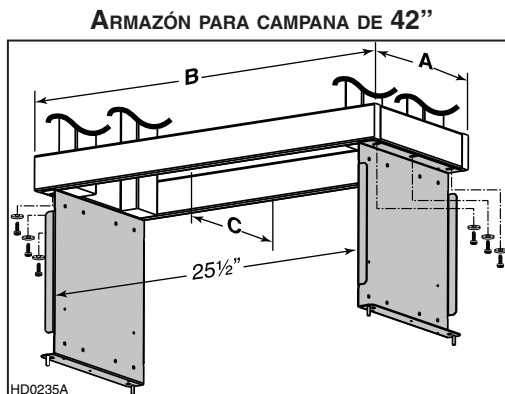
Utilice los tornillos para madera n.º 10 x 1.5" y las arandelas provistos para instalar los soportes de montaje (vienen con la tapa de chimenea decorativa optativa) en el armazón. Véase la ilustración de al lado.



### 7.2 ARMAZÓN ACONSEJADO PARA INSTALAR CON MOLDURA DE PANEL MURAL, SERIE ATDIP

Abajo puede verse el armazón aconsejado para campanas de 42" y 54" de ancho instaladas con moldura de panel mural, serie ATDIP. Consulte la tabla y las ilustraciones para conocer las dimensiones según el tipo de campana. Utilice los tornillos para madera n.º 10 x 1.5" y las arandelas provistos para instalar los soportes de montaje (vienen con la moldura de panel mural optativa) en el armazón.

ANCH. DE LA CAMPANA	A CON PANEL MURAL DE 5/8"	A CON PANEL MURAL DE 1/2"	B CON PANEL MURAL DE 5/8"	B CON PANEL MURAL DE 1/2"	C
42"	11 5/8"	11 7/8"	28 5/8"	28 7/8"	10" MÍNIMO
54"	11 5/8"	11 7/8"	40 5/8"	40 7/8"	10" MÍNIMO

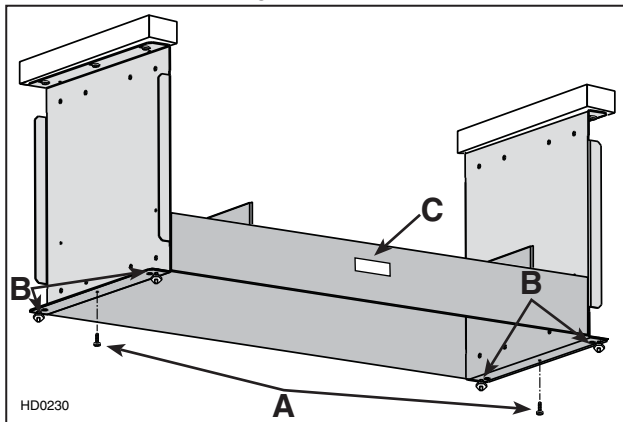




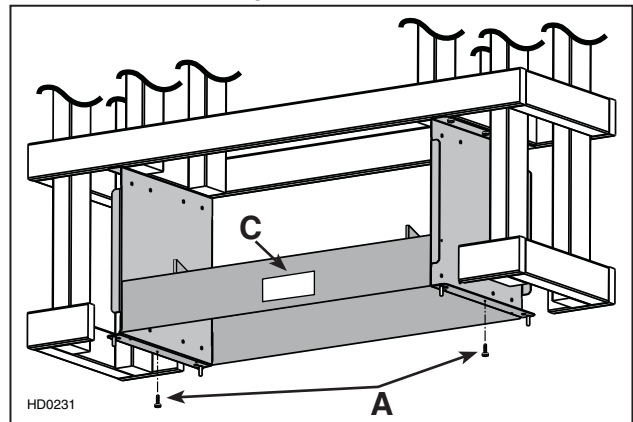
## 8. INSTALACIÓN DE LA CAJA DEL VENTILADOR

Utilice los tornillos (A) que quitó anteriormente (etapa 4) para instalar la caja del ventilador en los soportes de montaje. Si la instalación se hace con tapa de chimenea decorativa, serie AEIP, coloque 4 tuercas (B) (vienen en la bolsa de piezas de la tapa de chimenea) en los pernos aterrajados, dejando  $\frac{1}{4}$ " para instalar la campana. La caja del ventilador debe instalarse de manera que su etiqueta (C) esté en el mismo lado que los mandos de la campana. Véase las ilustraciones de abajo.

INSTALACIÓN CON LA TAPA DE CHIMENEA DECORATIVA,  
SERIE AEIP



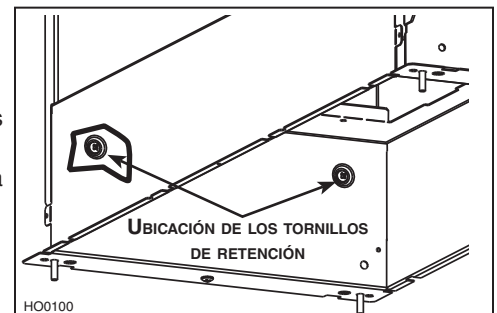
INSTALACIÓN CON LA MOLDURA DE PANEL MURAL,  
SERIE ATDIP



## 9. SEJECIÓN DE LA CAJA DEL VENTILADOR A LOS SOPORTES

Sujete la caja del ventilador a los soportes de montaje desde el interior utilizando 2 tornillos n.º 8 x 3/8" a cada lado.

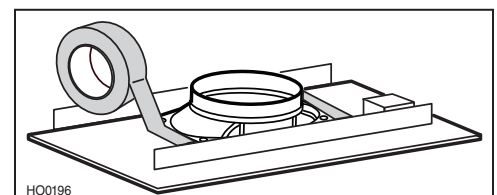
Los tornillos deben instalarse en las secciones en relieve (véanse los detalles en la ilustración de al lado).



## 10. INSTALACIÓN DEL ADAPTADOR Y DISPOSITIVO DE CIERRE EN LA PLACA DEL VENTILADOR (VENTILADOR INTERIOR IQ6, P3 O P6 ÚNICAMENTE)

Sujete el adaptador y dispositivo de cierre de 8" redondo a la placa del ventilador.

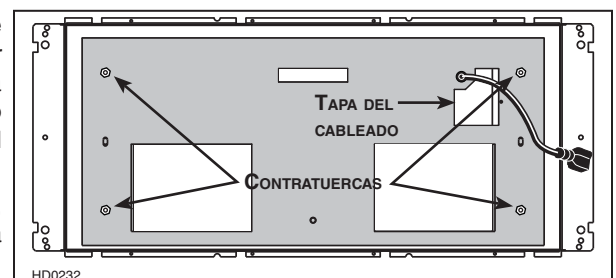
Utilice cinta para tubos metálicos para obturar herméticamente todas las juntas.



## 11. INSTALACIÓN DE LA PLACA DEL VENTILADOR EN LA CAJA DEL VENTILADOR

Lleve el cable de alimentación hasta el lugar de la instalación. Consulte las instrucciones que vienen con el ventilador o con la placa del ventilador (vendidos aparte) para ver cómo se instala la placa del ventilador. Instale la placa de manera que la caja de conexiones esté situada a la derecha cuando usted esté frente a la campana, como se indica en la etiqueta de la caja del ventilador.

Conecte el tubo al adaptador y dispositivo de cierre o a la placa del ventilador, según el modelo de ventilador. Utilice cinta adhesiva para tubos metálicos para obturar herméticamente las juntas.



## 12. CONEXIÓN DEL CABLEADO

### ⚠ ADVERTENCIA

**Riesgo de choque eléctrico. La conexión eléctrica debe hacerla personal competente con arreglo a los códigos y normas en vigor. Antes de conectar los hilos, corte la alimentación en el tablero de servicio y bloquee los medios de desconexión para impedir que la corriente se conecte accidentalmente.**

Retire la tapa del cableado de la placa del ventilador y guárdela.

Conecte el hilo NEGRO con el NEGRO, el BLANCO con el BLANCO y el VERDE o desnudo con el tornillo de tierra VERDE. **NO OLVIDE CONECTAR LA TIERRA.** Vuelva a instalar la tapa del cableado.

## 13. ACABADO DE LA CAJA DE PANEL MURAL

### (INSTALACIÓN DE LA MOLDURA DE PANEL MURAL, SERIE ATDIP ÚNICAMENTE)

Acabe la caja de panel mural. Compruebe que ajusta bien con la moldura de panel mural antes de instalarla en la campana.

## 14. INST. DE LA CHIMENEA DECORATIVA O DE LA MOLDURA DE PANEL MURAL EN LA CAMPANA

### ⚠ ADVERTENCIA

**La tapa de chimenea decorativa, serie AEIP, y la moldura de panel mural, serie ATDIP, pueden tener bordes cortantes. Tenga cuidado al manipular e instalar estas piezas metálicas.**

#### 14.1 INSTALACIÓN CON LA TAPA DE CHIMENEA DECORATIVA SERIE AEIP

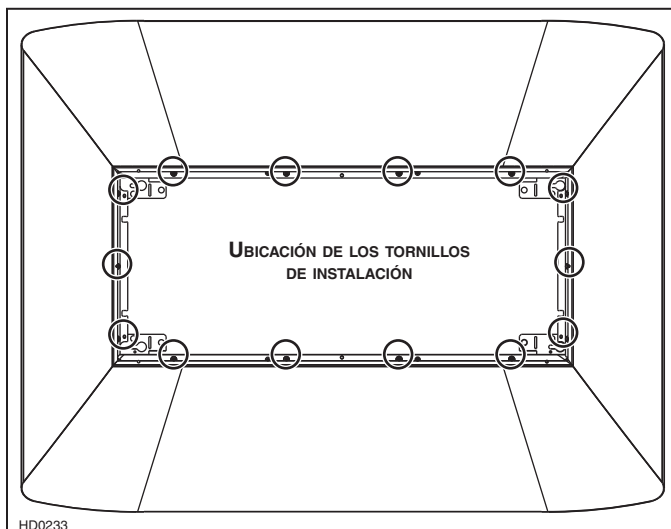
Retire la película de plástico que protege la tapa. Instale la tapa en la parte superior de la campana utilizando para ello 14 tornillos (vienen con la tapa de chimenea decorativa). Véase la ilustración de al lado para colocar los tornillos desde la parte superior de la campana.

NOTA: Antes de apretar totalmente los tornillos, compruebe que los bordes coincidan perfectamente..

#### 14.2 INSTALACIÓN CON LA MOLDURA DE PANEL MURAL SERIE ATDIP

Retire la película protectora de plástico que cubre la moldura. Instale la moldura en la parte superior de la campana utilizando para ello 14 tornillos (vienen con la moldura de panel mural). Véase la ilustración de al lado para colocar los tornillos desde la parte superior de la campana.

NOTA: Antes de apretar totalmente los tornillos, compruebe que los bordes coincidan perfectamente.



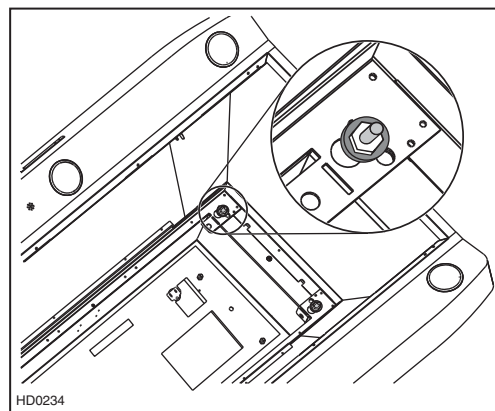
## 15. INSTALACIÓN DE LA CAMPANA

#### 15.1 INSTALACIÓN CON LA TAPA DE CHIMENEA DECORATIVA, SERIE AEIP

Instale el conjunto de la campana en los soportes de montaje alineando los orificios con las 4 tuercas que instaló en la etapa 8 (2 tuercas a cada lado). Mientras se sujeta la campana, retire una tuerca e instale una arandela (vienen en la bolsa de piezas) en cada perno aterrajado y luego vuelva a instalar la tuerca y apriete. Véase la ilustración de al lado.

#### 15.2 INSTALACIÓN CON LA MOLDURA DE PANEL MURAL, SERIE ATDIP

Alinee los orificios de la campana con los pernos aterrajados de los soportes. Sujete la campana a los soportes con las arandelas y tuercas (vienen en la bolsa de piezas). Véase la ilustración de al lado.



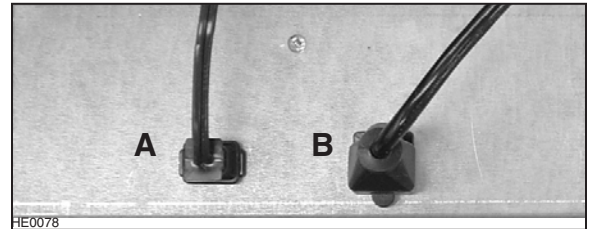
## 16. INSTALACIÓN DEL VENTILADOR (INTERIOR OR EXTERIOR)

Consulte las instrucciones que vienen con el ventilador.

Una vez instalado el ventilador, enchufe el cable (A) del ventilador en la toma de corriente hembra y el cable de alimentación (B) al conector macho dentro de la campana.

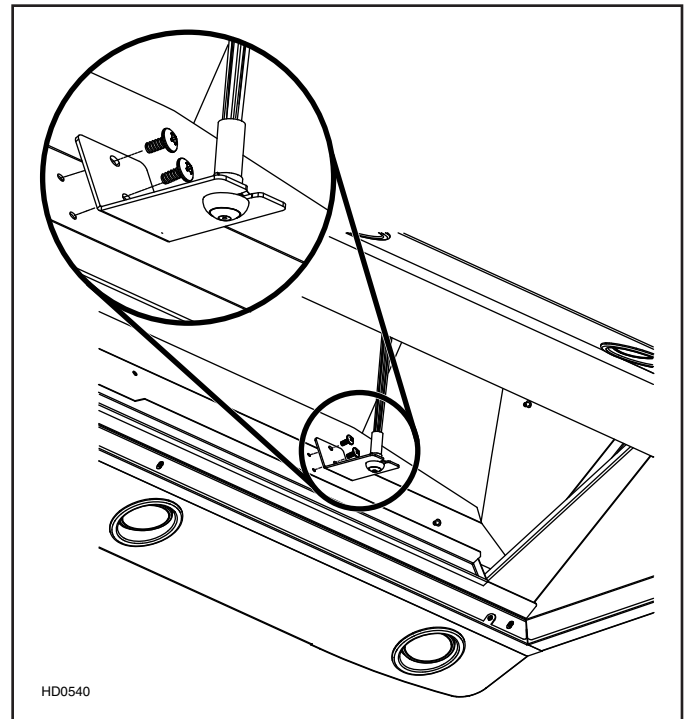
### **⚠ ADVERTENCIA**

**No enchufe los dos cables uno con otro.**



## 17. INSTALE EL SOPORTE DEL BOTÓN DE CALIBRACIÓN EN LA CAMPANA (VENTILADORES INTERIORES IQ6 Y IQ12 SOLAMENTE)

Ambos ventiladores iQ6 y iQ12 son equipados de botón de calibración ya montado en su soporte. Instale este soporte en la campana con los 2 tornillos incluidos con el ventilador interior iQ6 o iQ12.

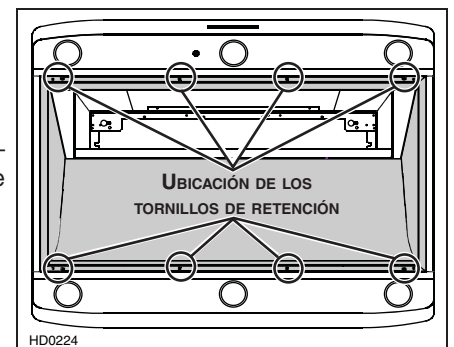


## 18. REINSTALACIÓN DE LA PLACA

### **PRECAUCIÓN**

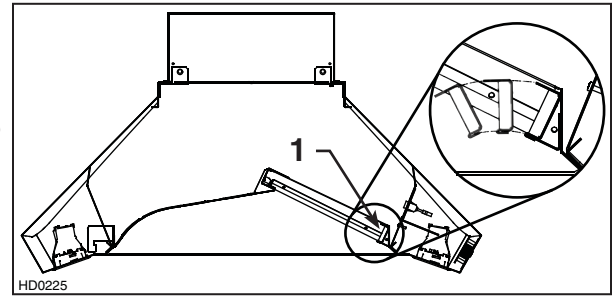
**Retire la película de plástico que protege los lados de la placa y la cinta adhesiva que hay sobre las lámparas halógenas.**

Utilice un destornillador Phillips n.º 2 o Robertson n.º 2 y los tornillos para instalar la placa — que quitó en la etapa 6 — en el interior de la campana (pieza sombreada de la ilustración de al lado).



## 19. REINSTALACIÓN DEL RIEL DE VERTIDO DE LA GRASA Y DE LOS FILTROS HÍBRIDOS

Vuelva a instalar el riel de vertido de la grasa (1). La ilustración de al lado muestra la forma de colocar el riel en la campana.



### PRECAUCIÓN

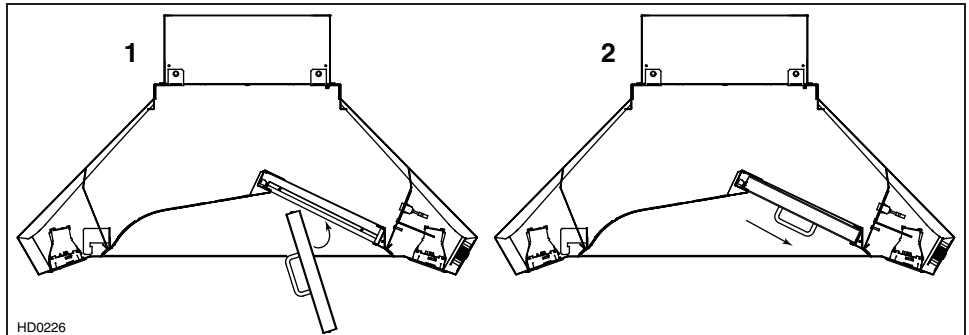
**Antes de instalar los filtros híbridos, retire la película de plástico que los protege.**

Vuelva a instalar los filtros híbridos en la campana.

Se aconseja instalar primero los filtros laterales y terminar con el filtro central.

1. Introduzca un extremo del filtro híbrido en la acanaladura delantera de la campana.
2. Levante el otro extremo hacia la parte interior de la campana e introdúzcalo en el riel de vertido de la grasa de la campana.

Su distribuidor puede proporcionarle filtros de recambio. Vea la etiqueta dentro de la campana para informarse del tamaño y del número de la pieza.



## 20. SUSTITUCIÓN DE LAS BOMBILLAS

Esta campana debe utilizar bombillas halógenas protegidas de tipo MR16 o PAR16, de 120 V y 50 W con base GU10 (incluidas).

NOTA: Antes de utilizar las lámparas, quite la cinta adhesiva que pueda haber sobre ellas.

### ⚠ ADVERTENCIA

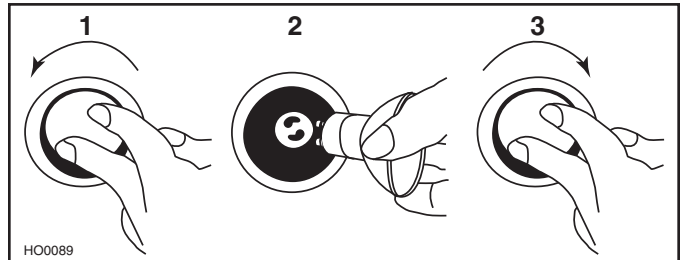
**No tocar las bombillas durante o justo después de la utilización. Pueden causar quemaduras. Para prevenir el riesgo de lesiones corporales, instale solamente bombillas halógenas protegidas. Nunca instalar una bombilla dicroica o no concebida para luminarias empotradas o bombillas identificadas sólo para uso en dispositivos encerrados.**

1. Para quitar las bombillas, empuje suavemente hacia arriba y gire en sentido antihorario para liberar el casquillo de sus ranuras.

NOTA: De ser necesario, utilice un guante de caucho de lavar los platos para sujetar mejor la bombilla y sacarla.

2. Instale las bombillas nuevas colocando los casquillos de las bombillas en sus ranuras, en los portalámparas.

3. Empuje suavemente hacia arriba y gire al mismo tiempo en el sentido horario hasta que queden bien afianzadas.



NOTA: De ser necesario, utilice un guante de caucho de lavar los platos para sujetar mejor la bombilla y sacarla, o utilice la herramienta con ventosa de Best para quitar fácilmente las bombillas.

Comuníquese con Apoyo Técnico de Best en el teléfono 1-800-558-1711 para pedir esta herramienta (n.º de pieza: 99526707).

## 21. USO Y CUIDADO

### Filtros híbridos

Los filtros híbridos deben limpiarse con frecuencia. Utilice una disolución de detergente con agua templada. Lávelos con mayor frecuencia si su tipo de cocina genera más grasa (alimentos fritos o cocina con wok).

Retire los filtros híbridos empujándolos hacia la parte trasera de la campana y girándolos hacia abajo. Las placas de los filtros pueden lavarse en el lavavajillas. Deje que los filtros sequen completamente antes de volver a instalarlos en la campana.

Limpie los filtros totalmente metálicos en el lavavajillas con un detergente sin fosfato. El filtro podría descolorarse si se utiliza un detergente con fosfato o debido al tipo de agua, pero esto no afecta su funcionamiento. Este descoloramiento no está cubierto por la garantía.

### Riel de vertido de la grasa

El riel debe limpiarse con frecuencia. Sáquelo de la campana y límpielo con una disolución de detergente con agua templada. Lávelo con mayor frecuencia si su tipo de cocina genera más grasa (alimentos fritos o cocina con wok). Deje que el riel seque completamente antes de volver a instalarlo en la campana.

### Limpieza del ventilador

Retire los filtros para tener acceso al ventilador. Limpie el ventilador con un aspirador. No lo sumerja en agua. Consulte el manual de instrucciones del ventilador para mayor información.

### Limpieza de la campana

Limpieza del acero inoxidable: Para que la campana siga teniendo un "ASPECTO BRILLANTE":

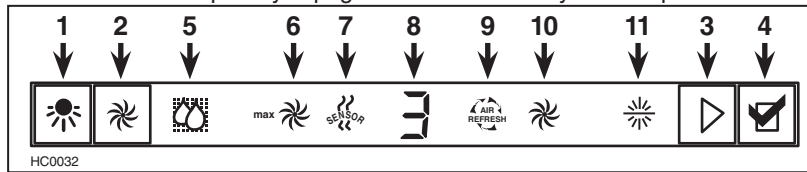
Debe hacerse:	No debe hacerse:
<ul style="list-style-type: none"><li>• Limpiar regularmente las superficies con un trapo limpio humedecido con una mezcla de agua templada y jabón suave o detergente para la vajilla.</li><li>• Limpiar siempre en la dirección de las líneas originales de pulido del acero.</li><li>• Enjuagar siempre con agua limpia (2 o 3 veces) después de limpiar. Seque completamente.</li><li>• También puede utilizar un limpiador doméstico especial para acero inoxidable.</li></ul>	<ul style="list-style-type: none"><li>• Utilizar un estropajo de acero o acero inoxidable u otro tipo de rasquetas para quitar la suciedad resistente.</li><li>• Utilizar limpiadores fuertes o abrasivos.</li><li>• Dejar que la suciedad se acumule.</li><li>• Dejar que el polvo del yeso u otros residuos de la construcción manchen la campana. Si efectúa obras de construcción o renovación, cubra la campana para que no se manche la superficie de acero inoxidable.</li></ul>

### Al escoger un detergente, evite:

- Los limpiadores que contienen **blanqueador** (lejía), ya que dañarán el acero inoxidable.
- Los productos que contengan **cloruro**, **fluoruro**, **yoduro** y **bromuro**, ya que deterioran las superficies rápidamente.
- Los productos combustibles que se emplean para la limpieza, como **acetona**, **alcohol**, **éter**, **benzol**, etc., ya que son altamente explosivos y nunca deberían estar cerca de una cocina.

## 22. FUNCIONAMIENTO

Ponga en marcha siempre la campana antes de empezar a cocinar para generar una corriente de aire en la cocina. Deje en marcha el ventilador durante unos minutos para renovar el aire una vez que haya apagado la cocina. Esto ayudará a que toda la cocina esté más limpia y despejada.



1. Botón pulsador de encendido y apagado de las luces halógenas/ Botón pulsador modo Master Link de LinkLogic®
2. Botón pulsador de encendido y apagado del ventilador
3. Botón pulsador de activación/desactivación de las funciones/ Botón pulsador Erase Link (eliminar conexión) de LinkLogic®
4. Botón pulsador de restablecimiento de los filtros de grasa/ Botón pulsador modo Link (conexión) de LinkLogic®
5. Icono de mantenimiento de los filtros de grasa
6. Icono de velocidad máxima del ventilador
7. Icono del sensor de partículas
8. Nivel de velocidad del ventilador/ Icono de estado de LinkLogic®
9. Icono de regeneración de aire
10. Icono de velocidad del ventilador
11. Icono LinkLogic®

### Iluminación de la superficie sobre la que se cocina (luces halógenas)

- Las luces halógenas se controlan por medio del botón pulsador de encendido y apagado (n.º 1 de la ilustración anterior). Pulse una vez para encender las luces y una segunda vez para obtener mayor intensidad. Cuando las luces están a su máxima intensidad, al pulsar otra vez pasan a su intensidad mínima.
- Mantenga presionado el botón pulsador durante 1 segundo para apagar las luces y memorizar la intensidad. Cuando encienda las luces de nuevo, funcionarán con la intensidad que estableciera por última vez.
- Utilice bombillas halógenas protegidas de tipo MR16, de 120 V y 50 W con base GU10 o PAR 16 con base GU10 (incluidas).

### Ventilador

- El ventilador se controla con el botón pulsador de encendido y apagado del ventilador (n.º 2 de la ilustración anterior). Pulse una vez para poner en marcha el ventilador y una segunda vez para aumentar la velocidad del ventilador. Cuando el ventilador está en su velocidad máxima, al pulsar otra vez pasará a su velocidad mínima.
- Cuando el ventilador está apagado y se activa el nivel de potencia 1, durante 0.3 segundos el ventilador funcionará con la máxima potencia.
- Mantenga presionado el botón pulsador durante 1 segundo para apagar el ventilador y memorizar la velocidad. Cuando lo vuelva a poner en marcha, funcionará a la velocidad que estableciera por última vez.
- Cuando el ventilador está funcionando, el icono del centro (n.º 8 de la ilustración anterior) indica la velocidad y se enciende el icono 10 (la velocidad de movimiento del icono es proporcional a la del ventilador).
- Cuando el ventilador funciona a su máxima velocidad, el icono 10 se apaga y se enciende el 6 con la mención "max" (el símbolo gira).

### Funciones

Al pulsar el botón pulsador de activación/desactivación de las funciones (n.º 3 de la ilustración anterior) podrá controlar las funciones de sensor de partículas y de regeneración del aire.

#### Sensor de partículas

- Para activar la función de sensor de partículas, pulse el botón pulsador de activación/desactivación de las funciones (n.º 3 de la ilustración anterior) y aparecerá el icono del sensor de partículas (n.º 7 de la ilustración anterior).
- Una vez activado el sensor, el ventilador se pone en marcha automáticamente al detectar alrededor partículas, vapor o humo causado por la cocina o por emisiones de gas anormales. La velocidad del ventilador se establecerá automáticamente según la cantidad de partículas detectada y los parámetros de sensibilidad del sensor. Véase el párrafo siguiente.
- Para detener la función de sensor de partículas, pulse el botón pulsador de activación/desactivación de funciones hasta que se apague el icono de sensor de partículas.

#### Parámetros de sensibilidad del sensor de partículas

- Pulse el botón pulsador de activación/desactivación de las funciones (n.º 3 de la ilustración anterior) para activar la función de sensor de partículas. Se encenderá el icono del sensor de partículas (n.º 7 de la ilustración anterior). A continuación, mantenga presionado durante 2 segundos el botón pulsador de activación/desactivación de las funciones: en el icono del centro (n.º 8 de la ilustración anterior) aparecerá el nivel de sensibilidad del sensor.
- Pulse de nuevo el botón pulsador para cambiar la sensibilidad del sensor (desde 0 [sensibilidad mínima] a 9 [sensibilidad máxima]).
- Pulse el botón pulsador de restablecimiento de los filtros a grasa (n.º 4 de la ilustración anterior) para confirmar (la confirmación se realiza automáticamente al cabo de 5 segundos).

#### Regeneración del aire

- Para activar la función de regeneración del aire, pulse el botón pulsador de activación/desactivación de las funciones (n.º 3 de la ilustración anterior) y aparecerá el icono de regeneración del aire (n.º 9 de la ilustración anterior).
- Para detener la función de regeneración del aire, pulse el botón pulsador de activación/desactivación de las funciones hasta que se apague el icono de regeneración del aire.
- La función de regeneración del aire se activa sólo cuando el ventilador está apagado. Cuando se activa, recicla el aire del entorno en total silencio durante 10 minutos (en la primera velocidad) cada 50 minutos.

#### Restablecimiento de los filtros de grasa

- Una vez que se hayan limpiado los filtros de grasa, pulse el botón pulsador de restablecimiento de los filtros de grasa (n.º 4 de la ilustración anterior) para restablecer el temporizador de mantenimiento de los filtros. De este modo también se apagará el icono de mantenimiento de los filtros de grasa (n.º 5 de la ilustración anterior).

## 22. FUNCIONAMIENTO (CONTINUACIÓN)

### Indicador de mantenimiento de los filtros de grasa

- Tras 30 horas de funcionamiento se enciende el icono de mantenimiento de los filtros de grasa (n.º 5 de la ilustración anterior). Esto significa que hay que limpiar los filtros.
- Una vez que se hayan limpiado los filtros de grasa, pulse el botón pulsador de restablecimiento de los filtros de grasa para restablecer el temporizador de mantenimiento de los filtros.

### Luz de fondo

- Cuando todo está apagado en la campana (ventilador apagado, sensor de partículas y regeneración del aire desactivados), la luz de fondo está apagada.
- Cuando las luces halógenas están activadas, ello no afecta la luz de fondo.
- Cuando el ventilador funciona, la luz de fondo está a su intensidad máxima.
- Cuando el sensor de partículas y la regeneración del aire están activados, la luz de fondo está a su intensidad máxima.
- Cuando se están seleccionando los parámetros de sensibilidad del sensor de partículas o la regeneración del aire, la luz de fondo está a su intensidad mínima.

### HEAT SENTRY™

La campana viene equipada con un termostato HEAT SENTRY™. Se trata de un dispositivo que pone en marcha o acelera el ventilador cuando detecta un calor excesivo sobre la superficie sobre la que se cocina.

- Si el ventilador está APAGADO, el termostato lo pondrá en marcha en la velocidad 3 (el icono de velocidad del ventilador indicará H).
- Si el ventilador está ENCENDIDO, el termostato lo pondrá en la velocidad 3 (el icono de velocidad del ventilador indicará H).

NOTA: Cuando el termostato Heat Sentry™ está activado, la función de regeneración del aire y el sensor de partículas están desactivados. También se desactiva la comunicación con el módulo LinkLogic®.

### ⚠ ADVERTENCIA

**En el caso de fuego de cocción durante un calor excesivo, el Heat Sentry puede poner en marcha el ventilador, incluso si este está apagado. Si este es el caso, es imposible parar el ventilador con su interruptor. Si usted necesita detener el ventilador, desconecte de la campana el cordón de alimentación del ventilador (situado detrás de los filtros) tirando del conector de 2 terminales; no tire del cable.**

- Cuando la temperatura baje a un nivel normal, el ventilador volverá a su velocidad original (el icono de velocidad del ventilador mostrará la velocidad original del ventilador).
- Para apagar el ventilador cuando el termostato Heat Sentry™ esté activado, mantenga presionado el botón pulsador del ventilador (n.º 2 de la ilustración anterior) durante más de 1 segundo.

### Compatibilidad con la red LinkLogic®

Su campana de la serie IP29M puede conectarse con la red de LinkLogic si está instalada en su casa.

### INSTRUCCIONES PARA LA CONEXIÓN CON LINKLOGIC

#### A. ACTIVE EL MODO "LINK" DE LA CAMPANA

Pulse el botón pulsador del modo "Link" (conexión) de LinkLogic (4 en la ilustración de los controles) durante 2 segundos. Se encenderá el icono LinkLogic de la interfaz (11 en la ilustración de los controles) y el alumbrado de fondo se pone a plena intensidad.

#### CONEXIÓN PARA MÓDULOS DE CONTROL REMOTO MURAL, CONTROL REMOTO O VENTILADORES REMOTOS

ACTIVE EL MODO "LINK" DEL DISPOSITIVO LINKLOGIC  
Pulse el botón "link" del dispositivo LinkLogic durante un tiempo específico para activar este modo de conexión (véanse las instrucciones del dispositivo LinkLogic).

INICI EL PROCESO "AUTO-LINK" DE LA CAMPANA  
Pulse el botón pulsador del modo "Link" de LinkLogic (4 en la ilustración) para comenzar el proceso "Auto-Link". Se verá una "A" que parpadea (8 en la ilustración de los controles) en la interfaz hasta que se haya efectuado la conexión.  
NOTA: Puede que en algunos dispositivos LinkLogic no se verá parpadear la "A" porque la duración de la conexión es muy breve.

#### CONEXIÓN PARA MÓDULOS SMARTSENSE™ O DE AIRE DE REPOSICIÓN

VÉASE LA ETAPA 22 (EN PÁGINA SIGUIENTE) PARA CONFIGURAR LOS PUENTES DE LA TARJETA DE CIRCUITOS LINKLOGIC SEGÚN LAS PRESTACIONES DEL VENTILADOR.

INICI EL PROCESO "MASTER LINK" DE LA CAMPANA  
Pulse el botón pulsador del modo de conexión "Master Link" de LinkLogic (1 en la ilustración) para poner en marcha el proceso "Master Link". Se verá una "L" que parpadea (8 en la ilustración de los controles) en la interfaz de la campana, lo cual significa que la campana está esperando conectarse con un módulo SmartSense™ o de aire de reposición.

ACTIVE EL MODO "LINK" DEL DISPOSITIVO LINKLOGIC  
Pulse el botón "Link" del dispositivo LinkLogic (véanse las instrucciones del dispositivo para la ubicación) durante un tiempo específico para activar su modo de conexión. Espere hasta que la "L" desaparezca de la interfaz de la campana antes de pasar a la etapa siguiente.

#### CONEXIÓN DE OTRO DISPOSITIVO LINKLOGIC

Si tiene que conectar otro dispositivo LinkLogic, vaya a la primera etapa correspondiente. Para salir del modo "Link", vaya a SALIR DEL MODO "LINK" DE LA CAMPANA.

#### B. SALIR DEL MODO "LINK" DE LA CAMPANA

Pulse y mantenga pulsado el botón pulsador del modo "Link" de LinkLogic (4 en la ilustración de los controles) durante 2 segundos para salir del modo "Link". Si no se realiza otra operación, el modo "Link" permanece activado 4 minutos.

## 22. FUNCIONAMIENTO (CONTINUACIÓN)

### ELIMINAR EL PROCESO DE CONEXIÓN

#### A. ACTIVE EL MODO "LINK" DE LA CAMPANA

Pulse el botón pulsador del modo "Link" (conexión) de LinkLogic (4 en la ilustración de los controles) durante 2 segundos. Se encenderá el icono LinkLogic de la interfaz (11 en la ilustración de los controles) y el alumbrado de fondo se pone a plena intensidad.

#### B. ELIMINE TODOS LOS DISPOSITIVOS LINKLOGIC CONECTADOS

Pulse el botón pulsador de eliminación de conexión con LinkLogic (3 en la ilustración de los controles) durante 2 segundos para iniciar el proceso de eliminación de conexiones. Se verá parpadear la letra "E" (8 en la ilustración de los controles) en la interfaz de la campana hasta que las conexiones se hayan eliminado.

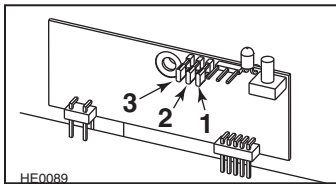
#### C. SALIR DEL MODO "LINK" DE LA CAMPANA

Pulse y mantenga pulsado el botón pulsador del modo "Link" de LinkLogic (4 en la ilustración de los controles) durante 2 segundos para salir del modo "Link". Si no se realiza otra operación, el modo "Link" permanece activado 4 minutos.

NOTA: Si, durante el funcionamiento normal de la campana, el icono de LinkLogic (11 en la ilustración de los controles) se pusiera a parpadear, es que se ha producido un error en la comunicación con un dispositivo LinkLogic conectado. Para eliminar esta señal de error hay que entrar y salir del modo "Link" de la manera que se explicó anteriormente. De este modo se elimina la señal de error hasta que se vuelva a producir otra vez. Si el problema vuelve a plantearse, le aconsejamos que elimine todas las conexiones e inicie de nuevo todo el proceso de conexión.

## 23. PUENTES DE LA TARJETA DE CIRCUITOS DEL SISTEMA LINKLOGIC

El sistema LinkLogic está concebido para funcionar con dispositivo como el sistema Smart Sense Fan de Broan que requiere el caudal del aire en PCM de esta campana. Si esta campana es utilizada con a dispositivo LinkLogic que requiere información su PCM, consulta los gráficos abajo para configurar la tarjeta de circuitos de LinkLogic en la campana para dar la información exacta relativa a los PCM. Para tener acceso a la tarjeta de circuitos LinkLogic, saque los filtros, el riel de vertido de la grasa y la placa (vea etapas 5 y 6). Saque los dos tornillos sujetando el panel de mando a la campana. Gira delicatamente el panel de mando para ver los puentes de la tarjeta de circuitos LinkLogic. Quitar los puentes de los pins y reconfigurar según las prestaciones del ventilador.



HE0089  
PUENTES DE LA TARJETA DE  
CIRCUITOS LINKLOGIC

Pin 1	Pin 2	Pin 3	Valor máxima de la campana
0	0	0	0 PCM
0	0	1	300 PCM
0	1	0	500 PCM
0	1	1	600 PCM

0 = No puente sobre el pin.  
1 = Puente sobre el pin.

Pin 1	Pin 2	Pin 3	Valor máxima de la campana
1	0	0	900 PCM
1	0	1	1000 PCM
1	1	0	1200 PCM
1	1	1	1500 PCM

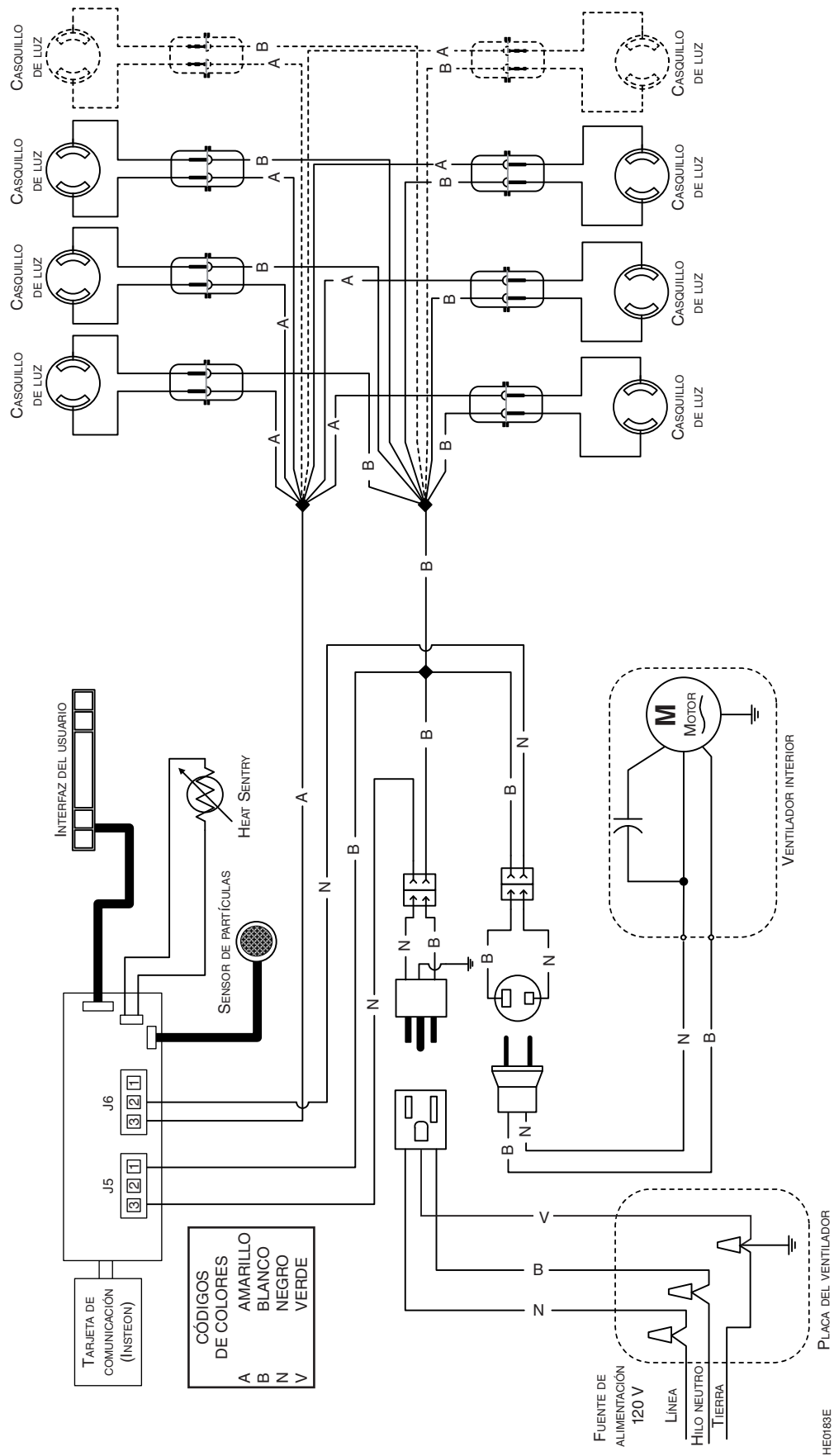
0 = No puente sobre el pin.  
1 = Puente sobre el pin.

En caso de duda si el accesorio o dispositivo LinkLogic requiere PCM información, consulta los instrucciones de este unidad por favor.



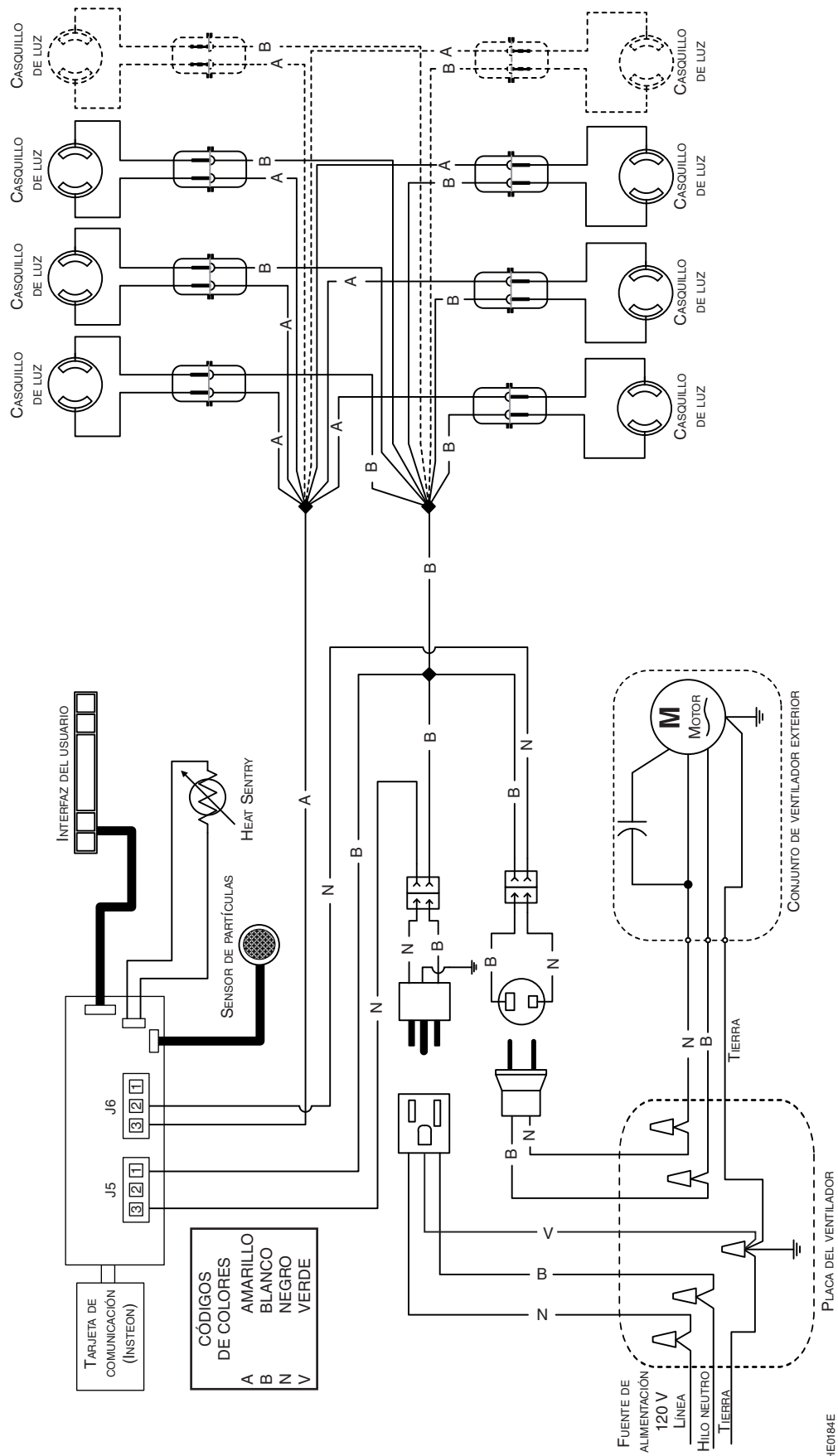
# 24. DIAGRAMAS ELÉCTRICOS

## VENTILADOR INTERIOR



# 24. DIAGRAMAS ELÉCTRICOS (CONTINUACIÓN)

## VENTILADOR EXTERIOR O EN LÍNEA



## 25. GARANTÍA

### GARANTÍA

#### GARANTÍA LIMITADA DE UN AÑO DE LOS PRODUCTOS BEST

Broan-NuTone LLC (Broan-NuTone) garantiza al consumidor comprador original de Best productos que dichos productos carecerán de defectos en materiales o en mano de obra por un período de un año a partir de la fecha original de compra. NO EXISTEN OTRAS GARANTÍAS, EXPRESAS O IMPLÍCITAS, INCLUYENDO, PERO NO LIMITADAS A, GARANTÍAS IMPLÍCITAS DE COMERCIALIZACIÓN O ACTITUD PARA UN PROPOSITO PARTICULAR.

Durante el período de un año, y a su propio criterio, Broan-NuTone reparará o reemplazará, sin costo todo producto o pieza que se encuentre defectuosa bajo condiciones normales de servicio y uso.

ESTA GARANTÍA NO SE APLICA A LOS CEBADORES, TUBOS, BOMBILLAS HALÓGENAS Y INCANDESCENTES, A LOS FUSIBLES, FILTROS, TUBOS, CAPUCHONES PARA TEJADOS, CAPUCHONES MURALES Y OTROS ACCESORIOS DE CANALIZACIÓN.

Esta garantía no cubre (a) mantenimiento y servicios normales o (b) cualquier productos o piezas que hayan sido mantenidas o reparadas inapropiadamente (por otras compañías que sea Broan-NuTone), instalación defectuosa, o instalación no conforme a las instrucciones de instalación recomendadas. La duración de cualquier garantía implícita se limita a un periodo de un año como se especifica en la garantía expresa. Algunos estados o provincias no permiten limitaciones en cuanto al tiempo de expiración de una garantía implícita, por lo que la limitación antes mencionada puede no aplicarse a usted.

**LA OBLIGACIÓN DE BROAN-NUTONE DE REPARAR O REEMPLAZAR, SIGUIENDO EL CRITERIO DE BROAN-NUTONE DEBERÁ SER EL UNICO Y EXCLUSIVO RECURSO LEGAL DEL COMPRADOR BAJO ESTA GARANTÍA. BROAN-NUTONE NO SERÁ RESPONSABLE POR DAÑOS ACCIDENTALES, CONSIGUIENTES, O POR DAÑOS ESPÉCIALES SURGIDOS O EN CONEXIÓN CON EL USO O EL RENDIMIENTO DEL PRODUCTO. Algunos estados o provincias no permiten la exclusión o limitación de daños accidentales o consiguientes, por lo que la limitación antes mencionada puede no aplicarse a usted.**

Esta garantía le proporciona derechos legales específicos, y usted puede también tener otros derechos, los cuales varían de estado a estado o de provincia a provincia. Esta garantía reemplaza todas las garantías anteriores. Para calificar en el servicio de garantía, usted debe (a) notificar a Broan-NuTone a la dirección o teléfono que se menciona abajo, (b) dar el número del modelo y la identificación de la pieza y (c) describir la naturaleza de cualquier defecto en el producto o pieza. En el momento de solicitar servicio cubierto por la garantía, usted debe presentar evidencia de la fecha original de la compra.

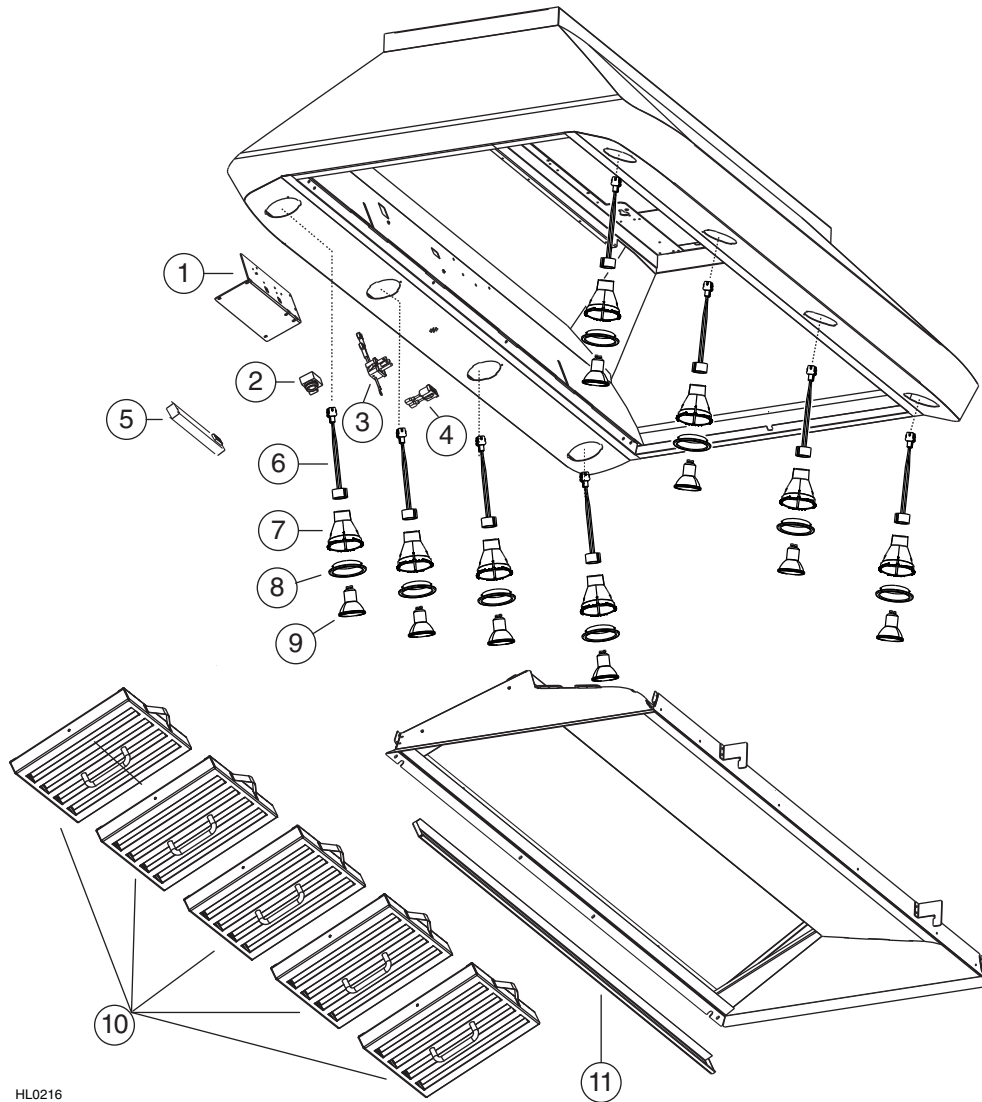
**En los Estados Unidos - Best®**, 926 W. State Street, Hartford, WI 53027 (800-558-1711)

**En Canadá - Best®**, 550 boul. Lemire, Drummondville, QC, Canada, J2C 7W9 (866-737-7770)

[www.BestRangeHoods.com](http://www.BestRangeHoods.com)

# 26. PIEZAS

## Serie IP29M



HL0216

N.º REF.	N.º DE PIEZA	DESCRIPCIÓN	CTD (ANCH. CAMPANA)	
			42"	54"
1	SV08069	UNIDAD DE ALIMENTACIÓN	1	1
2	SV08073	SENSOR DE PARTICULAS	1	1
3	SV13924	CONECTADOR MACHO	1	1
4	SV13923	CONECTADOR HEMBRA	1	1
5	SV08074	INTERFAZ DE CONTROL	1	1
6	SV05917	CASQUILLO GU10	6	8
7	SV09435	SOPORTE DEL CASQUILLO GU10	6	8
8	SV09434	ANILLO ORNAMENTAL ACERO INOXIDABLE	6	8
9	SV05921	BOMBILLA HALÓGENA PROTEGIDA (50W, 120 V, PAR16, GU10)	6	8
10	SV61639	FILTRO HÍBRIDO CON MALLA Y MANILLA 8.84" x 8.61" x 1"	1	5
	SV61640	FILTRO HÍBRIDO CON MALLA Y MANILLA 11.84" x 8.61" x 1"	2	-
11	SV61934	RIEL DE VERTIDO DE LA GRASA 42"	1	-
	SV61935	RIEL DE VERTIDO DE LA GRASA 54"	-	1
*	SV03435	TERMOSTATO HEAT SENTRY™	1	1
*	SV08072	GUÍA DE INSTALACIÓN	1	1
*	SV08068	BOLSA DE PIEZAS: TORNILLO DE ACERO PARA MADERA N.º 10 x 1.5" (10), TUERCA HEXAGONAL DE ACERO (5), ARANDELA DE ACERO N.º 10 (10), TORNILLO N.º 8 x 3/8" (6), ARANDELA DE ACERO N.º 10 (10)	1	1
*	SV05869	LOGO DE BEST	1	1

\* No se muestra

### SUSTITUCIÓN DE PIEZAS Y REPARACIÓN

Para que la unidad se conserve en buen estado, debe usar repuestos genuinos de Broan-NuTone únicamente. Estas piezas se han diseñado especialmente para cada unidad y se han fabricado conforme a las normas de certificación aplicables y un elevado nivel de seguridad. El uso de repuestos de otros fabricantes podría causar daños graves y reducir radicalmente el desempeño de la unidad, causando así fallas prematuras. Broan-NuTone también aconseja ponerse en contacto con un taller de reparación homologado por Broan-NuTone para todos los repuestos y reparaciones.

N.º REF.	N.º DE PIEZA	DESCRIPCIÓN	CANTIDAD	
			CHIMENEA DECORATIVA	MOLD. DE PANEL MURAL
*	SV06927	BOLSA DE PIEZAS PARA ACCESORIO: TORNILLO N.º 8 x 3/8" (14), TUERCA HEXAGONAL DE ACERO (5), ARANDELA DE ACERO N.º 10 (10), TORNILLO DE ACERO PARA MADERA N.º 10 x 1.5" (10)	1	1

\* No se muestra

