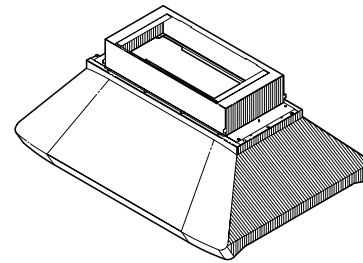


CENTRO ISLAND IP29M SERIES RANGE HOOD



For domestic cooking only.

Centro Island offers modern styling designed to be the focal point of the room. With high performance and durable construction, Centro will meet the needs of professional-quality residential cooking.

A complete installation requires several optional components. Refer to pages 2 & 3 when planning your installation.

FEATURES

HOOD:

- Widths available - 42" & 54"
- Professional Grade Stainless Steel (Type 304 or equivalent)
- Dishwasher safe, Hi-Flow™ mesh baffle filters
- Four-setting cooktop lighting (Uses 50W, GU10 halogen lamps. 42" wide hood = 6 lamps, 54" wide hood = 8 lamps. Bulbs included.)
- Four-speed push button blower control
- Exclusive, Heat Sentry™ turns blower ON to HIGH speed when excess heat is detected
- Air refresh feature - runs the blower at low speed for 10 minutes every 50 minutes
- 4-speed electronic blower control with LinkLogic® enabled technology
- Filter maintenance indicator - shows when to clean filters
- Exclusive A.S.C. (Automatic Sensor Control) - uses particulate detection to activate blower when effluents from cooking are sensed
- For indoor use only

DECORATIVE FLUE EXTENSION:

AEIP Series (Optional)

- Professional Grade Stainless Steel (Type 304 or equivalent)
- Widths - 42" and 54"
- Height - 12", 18", 24", and 30"

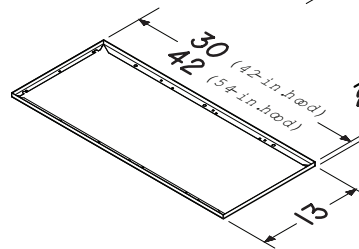
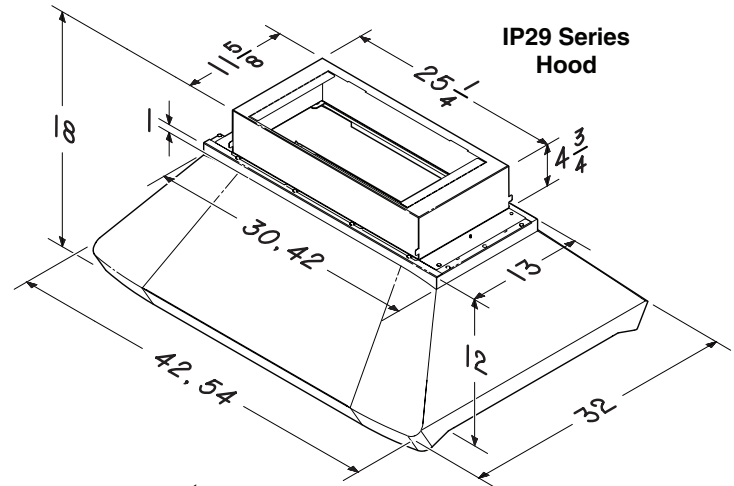
DECORATIVE DRYWALL TRIM KIT:

ATDIP Series (Optional)

- Professional Grade Stainless Steel (Type 304 or equivalent)
- Widths - 42" and 54"

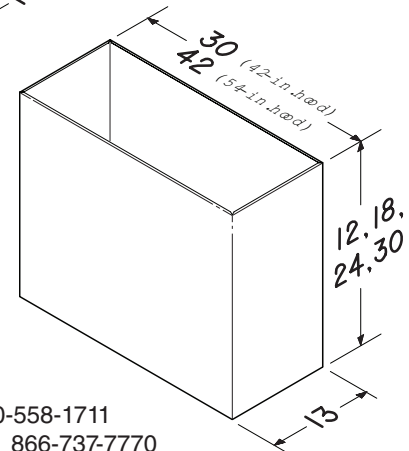
SPECIFICATION:

- 120 VAC, 60 Hz,
- 2.5 Amps (without blower - 42" width)
- 3.3 Amps (without blower - 54" width)



ATDIP Series
Drywall Trim Kit
(Optional)

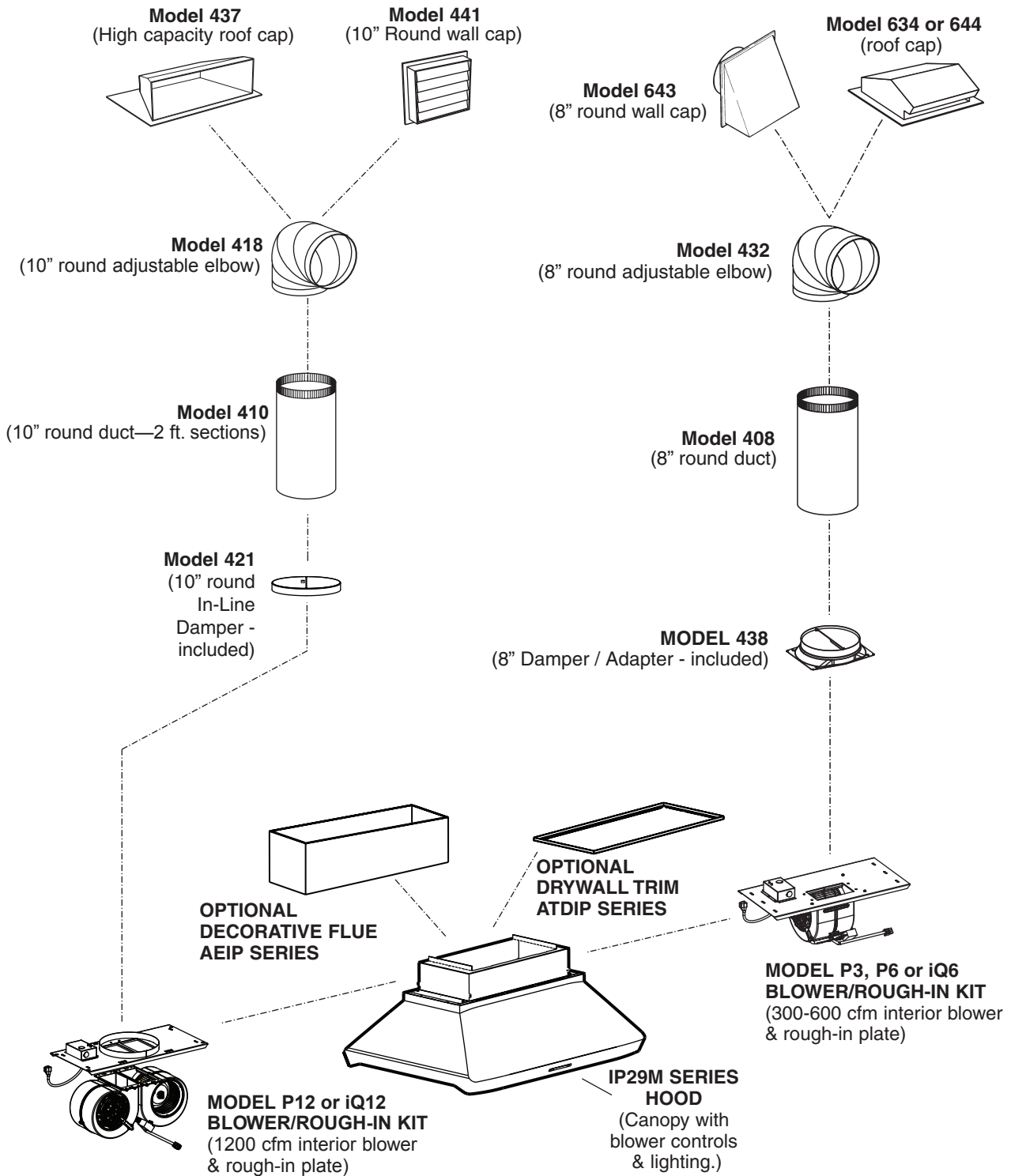
AEIP Series
Decorative Flue
(Optional)



BEST Hartford, Wisconsin www.BestRangeHoods.com 800-558-1711
BEST Drummondville, QC Canada www.BestRangeHoods.com 866-737-7770

REFERENCE	QTY.	REMARKS	Project
			Location
			Architect
			Engineer
			Contractor
			Submitted By Date

- IP29M SERIES RANGE HOOD SYSTEM - INTERIOR BLOWERS



- IP29M SERIES RANGE HOOD SYSTEM - IN-LINE AND EXTERIOR BLOWERS

