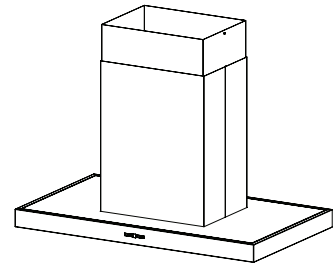


# GORGONA IPB9IQ SERIES RANGE HOOD



This design embodies the clean European style that has become a traditional favorite. Gorgona is an island hood rarely seen with the power and features it includes.

### FEATURES

- Italian design
- Ceiling mounted island hood
- Finishes: 430 Stainless Steel, #4 Brushed
- Width: 48-in. Depth: 27-in.
- Ducted telescopic flue accommodates 8' to 9' ceilings
- 10" round duct connector/backdraft damper
- 2-level halogen lamps (4 - T4, G9, 25-Watt)
- Three-speed plus boost, electronic controls
- Quiet iQ12 blower system with high-efficiency BLDC motor
- Heat Sentry™ - automatically turns blower to high speed when excess cooking heat is detected
- Delay timer control automatically shuts off range hood after 10 minutes
- Special control indicates when it's time to clean the filter
- Dishwasher-safe, mesh lined, Hi-Flow™ baffle filters
- For indoor use only

### OPTIONS (Not included with hood. Purchase separately.)

- Flue extension for 10-ft. to 11-ft. ceilings (Model AEIPB9SB, stainless steel)
- Remote control (Model ACR3)
- Universal Make-Up Air Damper (Models MD6TU, MD8TU, MD10TU)

### SPECIFICATIONS

VOLTS	AMPS	CFM / SONES (Boost)	CFM / SONES (High Speed)	CFM / SONES (Med. Speed)	CFM / SONES (Low Speed)	DUCT
120	8.4	1100 / 11.0	880 / 7.5	615 / 4.0	295 / <0.3	10" round

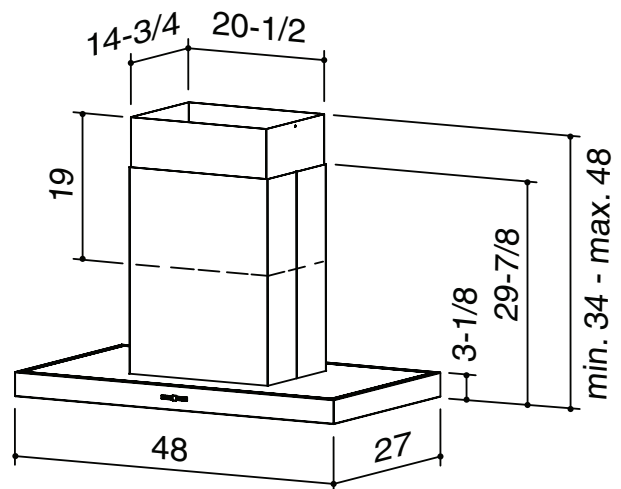


This product was tested by Broan-NuTone for airflow performance using the ANSI/AMCA 210 Standard, which is equivalent to the Home Ventilating Institute HVI 916 - Procedure for Air Flow Testing, and tested for sound performance using the ANSI S12.51 Standard, which is equivalent to the Home Ventilating Institute HVI 915 - Procedure for Loudness Rating of Residential Fan Products.

BEST Hartford, Wisconsin [www.BestRangeHoods.com](http://www.BestRangeHoods.com) 800-558-1711  
 BEST Drummondville, QC, Canada [www.BestRangeHoods.com](http://www.BestRangeHoods.com) 866-737-7770

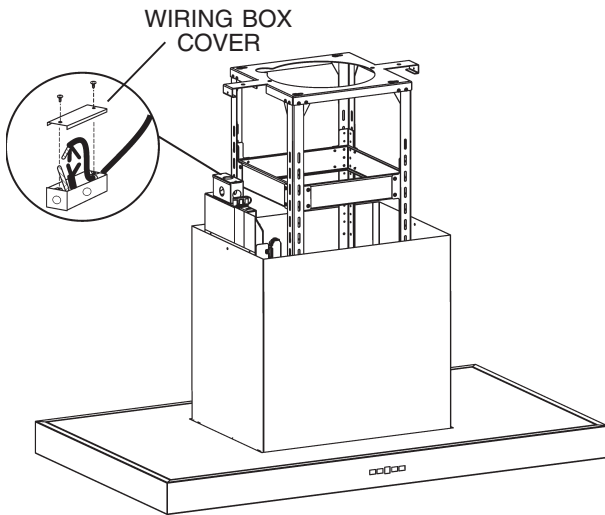
### iQ12 - 1200 CFM Blower System providing:

- Best in class quiet operation.
- Up to 30% faster smoke and odor removal than comparable models.
- Up to 22x more energy efficient than comparable models.
- Guaranteed Performance System (GPS) technology calibrates the hood system to every installation to provide up to 30% more CFM than standard range hoods.
- Using a duct reducer with this hood may prevent the product from calibrating.

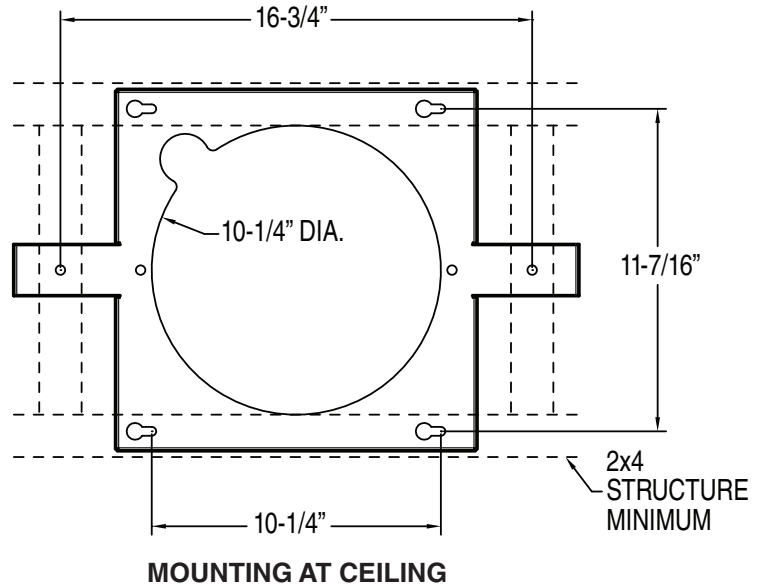
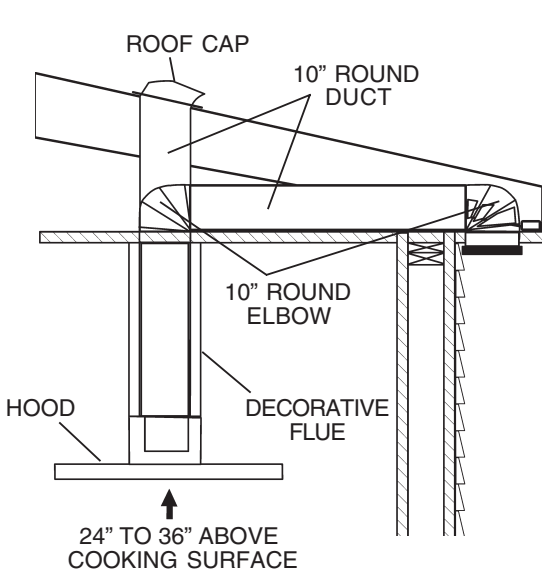


REFERENCE	QTY.	REMARKS	Project
			Location
			Architect
			Engineer
			Contractor
			Submitted by
			Date

# IPB9IQ SERIES WIRING



# IPB9IQ SERIES MOUNTING



CEILING HEIGHT	HOOD DISTANCE ABOVE 36" HIGH COOK TOP (see note below)												
	24"	25"	26"	27"	28"	29"	30"	31"	32"	33"	34"	35"	36"
ASSEMBLED SUPPORT FRAME HEIGHT (IN.)													
8 FEET	23 <sup>3</sup> / <sub>8</sub> "	22 <sup>3</sup> / <sub>8</sub> "	---	---	---	---	---	---	---	---	---	---	---
9 FEET	---	---	34 <sup>3</sup> / <sub>8</sub> "	33 <sup>3</sup> / <sub>8</sub> "	32 <sup>3</sup> / <sub>8</sub> "	31 <sup>3</sup> / <sub>8</sub> "	30 <sup>3</sup> / <sub>8</sub> "	29 <sup>3</sup> / <sub>8</sub> "	28 <sup>3</sup> / <sub>8</sub> "	27 <sup>3</sup> / <sub>8</sub> "	26 <sup>3</sup> / <sub>8</sub> "	25 <sup>3</sup> / <sub>8</sub> "	24 <sup>3</sup> / <sub>8</sub> "
10 FEET (see note b.)	47 <sup>3</sup> / <sub>8</sub> "	46 <sup>3</sup> / <sub>8</sub> "	45 <sup>3</sup> / <sub>8</sub> "	44 <sup>3</sup> / <sub>8</sub> "	43 <sup>3</sup> / <sub>8</sub> "	42 <sup>3</sup> / <sub>8</sub> "	41 <sup>3</sup> / <sub>8</sub> "	40 <sup>3</sup> / <sub>8</sub> "	39 <sup>3</sup> / <sub>8</sub> "	38 <sup>3</sup> / <sub>8</sub> "	37 <sup>3</sup> / <sub>8</sub> "	36 <sup>3</sup> / <sub>8</sub> "	---
11 FEET (see note b.)	---	58 <sup>3</sup> / <sub>8</sub> "	57 <sup>3</sup> / <sub>8</sub> "	56 <sup>3</sup> / <sub>8</sub> "	55 <sup>3</sup> / <sub>8</sub> "	54 <sup>3</sup> / <sub>8</sub> "	53 <sup>3</sup> / <sub>8</sub> "	52 <sup>3</sup> / <sub>8</sub> "	51 <sup>3</sup> / <sub>8</sub> "	50 <sup>3</sup> / <sub>8</sub> "	49 <sup>3</sup> / <sub>8</sub> "	48 <sup>3</sup> / <sub>8</sub> "	47 <sup>3</sup> / <sub>8</sub> "

--- Mounting height is not possible.

- Minimum hood distance above cook top must not be less than 24". A maximum of 36" above cook top is highly recommended for best capture of cooking impurities. Distances over 30" are at the installer and user's discretion; and if ceiling height and flue length permit.
- Requires optional 10-ft. to 11-ft. flue extension, ducted model AEIPB9SB.

